

HP4872 -UN-01JAN94



JOHN DEERE 9410 MAXIMIZER™ COMBINE

9410 (1998-)

(SPECIFICATIONS AND DESIGN SUBJECT TO CHANGE WITHOUT NOTICE)

NOTE

FOR 900 SERIES PLATFORM PARTS INFORMATION, REFER TO JOHN DEERE 900 SERIES PLATFORM PARTS CATALOG - PC-2104.

FOR 40 SERIES CORN HEAD PARTS INFORMATION, REFER TO JOHN DEERE 40 SERIES CORN HEAD PARTS CATALOG - PC-1223.

FOR 50A SERIES ROW-CROP HEAD PARTS INFORMATION, REFER TO JOHN DEERE 50A SERIES ROW-CROP HEAD PARTS CATALOG - PC-1747.

FOR THREE-ROLLER BELT PICKUP PARTS INFORMATION, REFER TO JOHN DEERE THREE-ROLLER BELT PICKUP PARTS CATALOG - PC-2210.

FOR 918 AND 920 DRAPER PARTS INFORMATION, REFER TO JOHN DEERE 918 AND 920 DRAPER PLATFORMS PARTS CATALOG - PC-2212.

FOR 90 SERIES CORN HEAD PARTS INFORMATION, REFER TO JOHN DEERE 90 SERIES CORN HEAD PARTS CATALOG - PC-2404.

IMPORTANT

THIS PARTS CATALOG CONTAINS PARTS INFORMATION FOR THE 9410 MAXIMIZER™ COMBINE. VINTAGE IS DETERMINED BY THE COMBINE SERIAL NUMBER OR THE PRODUCT IDENTIFICATION NUMBER (PIN). IT IS IMPORTANT THAT THE CORRECT NUMBERS BE USED WHEN ORDERING PARTS.

PRODUCT INFORMATION NUMBER (PIN) PLATE

THE PRODUCT IDENTIFICATION PLATE (PIN) IS LOCATED NEAR RIGHT-HAND SIDE OF THE TOOL BOX.
AN EXAMPLE OF THE TWO-LINES ON THIS PIN PLATE IS:

HO9410X675000
COMBINE

(FIRST LINE)

HO - MANUFACTURING UNIT (HARVESTER WORKS)

9410 - MODEL IDENTIFIER

X - CONFIGURATION CODE/MODEL IDENTIFIER SUFFIX

675000 - SEQUENTIAL NUMBER USED IN SERIAL NO. COLUMN

(SECOND LINE)

COMBINE - TYPE OF PRODUCT

COPYRIGHT (C) 2000. DEERE & COMPANY. MOLINE, ILLINOIS. ALL RIGHTS RESERVED.

PARTS LISTING INFORMATION

SERIAL NUMBER OR PRODUCT IDENTIFICATION NUMBER (PIN) INFORMATION SHOWS ON WHICH MACHINES PART MAY BE USED: FOR EXAMPLE:

- THE PART CAN BE USED ON ALL MACHINES.
- 000000 THE PART CAN BE USED ON ALL MACHINES UP TO AND INCLUDING SERIAL NUMBER LISTED.
- 000000- THE PART CAN BE USED ON ALL MACHINES BEGINNING WITH THE SERIAL NUMBER LISTED..
- 000000-000000 THE PART CAN BE USED ON ALL MACHINES BETWEEN AND INCLUDING SERIAL NUMBERS LISTED.

WHEN XXXXXX'S ARE LISTED IN PLACE OF A SERIAL NUMBER, A SERIAL NUMBER CHANGE WAS MADE, BUT THE EXACT SERIAL NUMBER IS NOT AVAILABLE WHEN THE CATALOG WAS PRINTED.

ENGINE SERIAL NUMBER PLATE

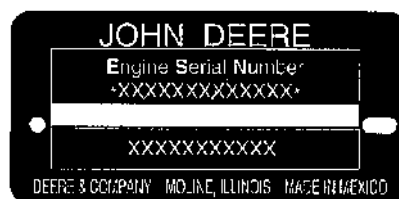
TP58281 -UN-26JAN98



DUBUQUE OPTION



SARAN OPTION



TORREON OPTION

TP58281

1. DESIGNATES ENGINE MANUFACTURER T-JOHN DEERE DUBUQUE WORKS
2. DESIGNATES NUMBER OF CYLINDERS AND LITERS 6068 (6.8 LITER)
3. DESIGNATES FUEL TYPE OR SPECIAL CONDITION DF NON-TURBOCHARGED DIESEL ENGINE
TF TURBOCHARGED DIESEL ENGINE
4. DESIGNATES ENGINE SERIAL NUMBER 123456
5. DESIGNATES THE ENGINE APPLICATION 6068HH051

(SPECIFICATIONS AND DESIGN SUBJECT TO CHANGE WITHOUT NOTICE)

DIRECTION ARROW

ARROWS ARE USED WITH ILLUSTRATIONS TO INDICATE THE FRONT OF THE UNIT. "RIGHT-HAND" AND "LEFT-HAND" SIDES ARE DETERMINED BY FACING IN THE DIRECTION OF MACHINE FORWARD TRAVEL.

BOX-ENCLOSED ILLUSTRATIONS

A KEY NUMBER, SHOWN IN THE PARTS LIST, IS ASSIGNED TO A BOX ENCLOSING ALL PARTS SOLD AS A SERVICE ASSEMBLY. A BOX NOT KEYED INCLUDES NON-CURRENT PARTS.

KITS

KIT INFORMATION WILL BE FOUND IMMEDIATELY FOLLOWING THE STORY IN WHICH IT IS USED. THE ILLUSTRATION IS REPEATED WITH ONLY THE KIT PARTS CALLED OUT AND WITH ALL OTHER PARTS SHOWN IN PHANTOM.

JDM REMANUFACTURED COMPONENTS

THE SERVICE PARTS LISTED IN THIS CATALOG ARE INTENDED FOR THE REPAIR OF ORIGINAL EQUIPMENT COMPONENTS. ALTHOUGH MOST SERVICE PARTS MAY BE USED TO REPAIR REMANUFACTURED COMPONENTS, THE REMANUFACTURED DESIGN MAY CHANGE PARTS SUFFICIENTLY SO THAT SERVICE PARTS ARE INADEQUATE OR NOT USABLE.

BOLT AND CAP SCREW STRENGTH IDENTIFICATION

BOLTS AND CAP SCREWS REQUIRED TO HAVE HIGH-STRENGTH QUALITIES EQUIVALENT TO SAE GRADE 8 ARE IDENTIFIED THROUGHOUT THIS CATALOG BY THE DESCRIPTION HS SAE 8. ALL STANDARD BOLTS AND CAP SCREWS ARE SAE GRADE 5 OR LOWER. BOLTS AND CAP SCREWS REQUIRED TO HAVE HIGH-STRENGTH QUALITIES EQUIVALENT TO PROPERTY CLASS 10.9 ARE IDENTIFIED THROUGHOUT THIS CATALOG BY THE DESCRIPTION HS 10.9. ALL STANDARD BOLTS AND CAP SCREWS ARE PROPERTY CLASS 8.8 OR LOWER.

SI UNITS OF MEASURE

METRIC DIMENSIONS ARE GIVEN, WHERE APPLICABLE, THROUGHOUT THIS PARTS CATALOG.

TRADEMARKS

THROUGHOUT THIS PARTS CATALOG, YOU WILL FIND THE FOLLOWING DEERE & COMPANY TRADEMARKS:

DIAL-A-SPEED™
DIAL-A-MATIC™
HARVESTRAK™
CONTOUR MASTER™

POSI-TORQ™
TORQ-GARD SUPREME®
QUIK-TATCH™

CHANGE INDICATOR LINE

CHANGES AFFECTING THE ORDERING OF PARTS ARE IDENTIFIED BY VERTICAL LINES MARKED IN THE LEFT-HAND MARGIN OF REVISED PARTS LISTING IMAGES. A LINE IS ALSO AT THE LEFT-HAND EDGE OF THE SAME PART NUMBER IN THE NUMERICAL INDEX TO SHOW THE LOCATION OF REVISED INFORMATION.

FUNCTION CODE

(EXAMPLE - FC: 5000)

FUNCTION CODES ARE LOCATED ON EACH PAGE IN THE UPPER RIGHT-HAND CORNER IN THE BOX. THE CODE LISTED IS A GROUPING CODE THAT CAN BE USED FOR WARRANTIES AND FOR DTAC TO IDENTIFY CERTAIN AREAS.

COMPLETE GOODS LISTINGS

COMPLETE GOODS ARE IN BOLD FACE TYPE. ORDER SEPARATELY. DO NOT INCLUDE ON REPLACEMENT PARTS ORDER.

FOR INDIVIDUAL HEADER PARTS CATALOGS REFER TO:

PC-2104 - PARTS CATALOG FOR JOHN DEERE 900 SERIES PLATFORMS

PC-2210 - PARTS CATALOG FOR JOHN DEERE THREE ROLLER BELT PICK-UP

PC-2212 - PARTS CATALOG FOR JOHN DEERE 918 DRAPER PLATFORMS

PC-1747 - PARTS CATALOG FOR JOHN DEERE 50A SERIES ROW-CROP HEADS

PC-1223 - PARTS CATALOG FOR JOHN DEERE 40 SERIES CORN HEADS

PC-2404 - PARTS CATALOG FOR JOHN DEERE 90 SERIES CORN HEADS

SECTION INDEX

SECTION 10 - GENERAL INFORMATION

SECTION 20 - ENGINE FAN, INTERCOOLER AND SCREENS

SECTION 24 - ENGINE

SECTION 30 - FUEL AND AIR

SECTION 40 - ELECTRICAL

SECTION 50 - POWER TRAIN

SECTION 60 - STEERING AND BRAKES

SECTION 70 - HYDRAULICS

SECTION 80 - SEPARATOR SHELL

SECTION 90 - OPERATOR'S STATION

SECTION 110 - FEEDER HOUSE

SECTION 120 - THRESHING AND SEPARATION

SECTION 121 - DRIVES

SECTION 125 - RESIDUE DISPOSAL

SECTION 130 - CLEAN GRAIN ELEVATOR, GRAIN TANK AND UNLOADING AUGER

SECTION 160 - DIAL-A-MATIC HEADER HEIGHT CONTROL

SECTION 170 - DECALS, BELTS AND CHAINS

SECTION 180 - NUMERICAL INDEX

ALPHABETICAL INDEX

GRID	A	PAGE	GRID	B	PAGE
3G7	A/C COMPRESSOR COVER R134A	90 - 79	1I2	ALTERNATOR, VOLTAGE REGULATOR (95 AMP) BOSCH.....	40 - 62
3G6	A/C COMPRESSOR HOSE	90 - 77	1G15	ANTENNA, SPEAKERS AND RADIO	40 - 30
3G5	A/C COMPRESSOR MANIFOLD.....	90 - 76	4F19	ARM, LOCKOUT, DUAL-RANGE	121 - 28
3G7	A/C COMPRESSOR PULLEY R134A.....	90 - 79	3F15	ARMREST (L.H.)	90 - 60
3G5	A/C COMPRESSOR R134A	90 - 76	3F13	ARMREST ADJUSTING MECHANISM (R.H.)	90 - 58
3G9	A/C COMPRESSOR SEAL KIT.....	90 - 81	1G1	ARMREST CONTROL PANEL	40 - 16
1B16	A/C CONDENSER, AIR INTER COOLER AND RADIATOR WITH OIL COOLER	20 - 15	1F24	ARMREST PANEL, OPERATOR'S	40 - 14
1H15	A/C HIGH PRESSURE SWITCH, UPPER PARTS	40 - 50	1F24	ARMREST ROCKER SWITCHES.....	40 - 14
1C10	ACCESS COVER, INJECTION PUMP GEAR	24 - 8	1F22	ARMREST WIRING HARNESS.....	40 - 12
2H13	ACCUMULATOR AND MOUNTING, ONE GALLON	70 - 32	3F11	ARMREST WITH GLOVE BOX (R.H.).....	90 - 56
2H13	ACCUMULATOR HOSES AND LINES (ONE GALLON).....	70 - 32	4D15	ARMS, FRAME, PRECLEANER CHAFFER	120 - 60
2G9	ACCUMULATOR PRESSURE GAUGE.....	70 - 2	1C7	ARMS, ROCKER	24 - 5
2G9	ACCUMULATOR PRESSURE GAUGE WIRING HARNESS	70 - 2	2D5	ARMS, STEERING, CAM LOBE MOTOR (STEERABLE MOTOR).....	50 - 54
2H11	ACCUMULATOR, ONE-HALF GALLON (SINGLE).....	70 - 30	1F24	ASHTRAY.....	40 - 14
1H1	ADAPTER, WIRING HARNESS (CONTOUR MASTER)	40 - 36	2I8	ASSEMBLY, SIX STACK SOLENOID CONTROL VALVE	70 - 52
1H3	ADAPTER, WIRING HARNESS (CONTOUR MASTER)	40 - 38	5E3	AUGER BELTS	170 - 2
1D17	ADAPTER,ENGINE COOLANT	24 - 40	5D7	AUGER COVERS AND CHANNEL, CROSS	130 - 56
2F19	ADJUSTABLE REAR AXLE.....	60 - 37	4C20	AUGER DOOR.....	120 - 41
2G1	ADJUSTABLE REAR AXLE STEERING TIE RODS	60 - 44	3C1	AUGER DRIVE MUD SHIELDS (R-H SIDE)	80 - 22
3E21	ADJUSTER, OPERATOR'S SEAT LEVER	90 - 42	4J16	AUGER DRIVE SHIELD, UPPER TAILINGS	125 - 48
4G3	ADJUSTING BRACKET, CYLINDER DRIVE, INTERMEDIATE.....	121 - 36	4J16	AUGER DRIVE, UPPER TAILINGS	125 - 48
3F13	ADJUSTING MECHANISM, ARMREST (R.H.).....	90 - 58	5B15	AUGER HOUSING, LOADING, UPPER CLEAN GRAIN	130 - 12
1I4	ADJUSTING MOTOR, CONCAVE.....	40 - 64	5B17	AUGER HOUSING, LOADING, UPPER CLEAN GRAIN	130 - 14
1H25	ADJUSTING MOTOR, SEPARATOR FAN DRIVE	40 - 60	1H11	AUGER SENSOR AND WIRING HARNESS, UNLOADING	40 - 46
1D24	ADJUSTING STRAP, ALTERNATOR	24 - 48	5C15	AUGER SWIVEL SUPPORT AND BRACES	130 - 38
1E23	AIR CLEANER AND INTAKE TUBES.....	30 - 10	5B15	AUGER TRANSITION HOUSING	130 - 12
1H15	AIR CLEANER PLUGGED SWITCH, UPPER PARTS	40 - 50	4J5	AUGER TROUGH, LOWER TAILINGS.....	125 - 36
1E12	AIR CONDITIOING COMPRESSOR BRACKET.....	24 - 62	1H11	AUGER WIRING HARNESS, UNLOADING	40 - 46
1G7	AIR CONDITIONER AND HEATER SWITCH.....	40 - 22	5C11	AUGER, GRAIN TANK, VERTICAL UNLOADING	130 - 34
1G5	AIR CONDITIONER WIRING HARNESS	40 - 20	5C24	AUGER, HORIZONTAL UNLOADING (14- AND 17-FT.).....	130 - 48
3E8	AIR CONDITIONING AND HEATER DUCTS	90 - 29	5D1	AUGER, HORIZONTAL UNLOADING (17-FT.).....	130 - 50
2J1	AIR CONDITIONING CONDENSER AND OIL COOLER	70 - 70	5C19	AUGER, HORIZONTAL UNLOADING, DRIVE GEARCASE	130 - 42
3G1	AIR CONDITIONING SYSTEM	90 - 72	5B19	AUGER, LOADING, CLEAN GRAIN	130 - 16
3G3	AIR CONDITIONING SYSTEM R134A REFRIGERANT	90 - 74	5B21	AUGER, LOADING, CLEAN GRAIN FOLD	130 - 18
3F24	AIR CONDITIONING/HEATER AND PRESSURIZING FAN	90 - 70	4J3	AUGER, LOWER TAILINGS	125 - 34
3F22	AIR CONDITIONING/HEATER HOUSING AND FILTERS.....	90 - 68	5E4	AUGER, LOWER TAILINGS, BELTS	170 - 3
1D9	AIR INTAKE MANIFOLD	24 - 32	5D10	AUGER, UNLOADING, DRIVE BELT GUIDE.....	130 - 60
1B16	AIR INTER COOLER, RADIATOR WITH OIL COOLER AND A/C CONDENSER	20 - 15	4J16	AUGER, UPPER TAILINGS.....	125 - 48
3F1	AIR SEAT SUSPENSION	90 - 46	5D5	AUGERS, GRAIN TANK CROSS	130 - 54
3F3	AIR SEAT SUSPENSION KITS.....	90 - 48	4C21	AUGERS, SHOE GRAIN SUPPLY AND HOUSING.....	120 - 42
3F5	AIR SEAT SUSPENSION KITS.....	90 - 50	4C23	AUGERS, SHOE GRAIN SUPPLY AND HOUSING.....	120 - 44
3F7	AIR SEAT SUSPENSION KITS.....	90 - 52	1F14	AUX FIELD LIGHTS SWITCH, OPTIONAL	40 - 4
3F9	AIR SEAT SUSPENSION KITS.....	90 - 54	1F20	AUXILIARY FIELD LIGHTING	40 - 10
1G5	AIR SEAT WIRING HARNESS	40 - 20	2B12	AXLE SPACERS (RING AND PINION FINAL DRIVE)	50 - 8
3F3	AIR SUSPENSION KITS, SEAT	90 - 48	2C1	AXLE, FINAL DRIVE (RING AND PINION)	50 - 24
3F5	AIR SUSPENSION KITS, SEAT	90 - 50	2B11	AXLE, FRONT	50 - 7
3F7	AIR SUSPENSION KITS, SEAT	90 - 52	2F19	AXLE, REAR, ADJUSTABLE.....	60 - 37
3F9	AIR SUSPENSION KITS, SEAT	90 - 54	2F20	AXLE, REAR, SPINDLES	60 - 38
3F1	AIR SUSPENSION, SEAT	90 - 46	2F17	AXLE, REAR, SUPPORT.....	60 - 34
1D24	ALTERNATOR ADJUSTING STRAP.....	24 - 48			
1D24	ALTERNATOR MOUNTING BRACKETS	24 - 48			
1I1	ALTERNATOR, SHEAVE AND BELT BOSCH.....	40 - 61	1J11	BACKSHAFT SPEED SENSOR, FEEDER HOUSE.....	40 - 96
			5C5	BASE, GRAIN TANK	130 - 28
			1I6	BATTERIES, CABLE AND HOLDDOWN	40 - 66

ALPHABETICAL INDEX - CONTINUED

GRID		PAGE	GRID		PAGE
4E7	BEARING KIT, STRAW WALKERS	120 - 76	1D24	BRACKETS, ALTERNATOR MOUNTING	24 - 48
2C24	BEARING, COVER AND QUILL (STEERABLE MOTOR).....	50 - 49	4C11	BRACKETS, CONCAVE INDICATOR AND CABLE	120 - 32
1C8	BEARING,CRANKSHAFT THRUST	24 - 6	1G8	BRACKETS, LOW SHAFT SPEED SENSORS	40 - 23
2B25	BEARINGS, FINAL DRIVE (RING AND PINION)	50 - 23	2I10	BRACKETS, SOLENOID CONTROL VALVE	70 - 54
2C1	BEARINGS, FINAL DRIVE (RING AND PINION)	50 - 24	2E20	BRAKE CABLE SUPPORT BRACKET	60 - 13
2C2	BEARINGS, FINAL DRIVE (RING AND PINION)	50 - 26	2E15	BRAKE CYLINDER, MASTER	60 - 8
1C8	BEARINGS, MAIN	24 - 6	2E11	BRAKE CYLINDERS, MASTER AND BRAKE PEDALS	60 - 4
4J9	BEARINGS, TAILINGS ELEVATOR CONVEYOR	125 - 40	2E13	BRAKE LINES, MASTER CYLINDER AND RESERVOIR	60 - 6
2B18	BEARINGS, TRANSMISSION	50 - 16	2E9	BRAKE PEDAL AND SEAL, PARKING	60 - 2
2B20	BEARINGS, TRANSMISSION PINION SHAFT.....	50 - 18	2E11	BRAKE PEDALS AND CYLINDERS, MASTER	60 - 4
1C12	BEARINGS,CONNECTING ROD	24 - 10	2E17	BRAKE SHOES AND DRUM (LEFT-HAND ILLUSTRATED).....	60 - 10
5E6	BEATER BELTS SHEAVES	170 - 5	2E19	BRAKE SLAVE CYLINDER	60 - 12
4C17	BEATER COVER	120 - 38	1I8	BREAKERS, CIRCUIT, ENGINE COMPARTMENT	40 - 68
4G13	BEATER DRIVE SHEAVES AND TIGHTENER	121 - 46			
4B23	BEATER GRATE AND CONCAVE ASSEMBLY.....	120 - 20		C	
4B19	BEATER GRATE CURTAIN	120 - 16	3E7	CAB AIR FILTER AND HOUSING	90 - 28
4C15	BEATER SHAFT AND DRIVE BELT.....	120 - 36	1F11	CAB DOME LIGHT	40 - 1
5D10	BELT GUIDE, UNLOADING AUGER DRIVE	130 - 60	3D16	CAB DOOR AND GLASS	90 - 12
4G23	BELT PICKUP / REEL DRIVE, PUMP MOUNTING SHEAVE.....	121 - 56	3D14	CAB DOOR LATCH	90 - 10
1I1	BELT, ALTERNATOR AND SHEAVE BOSCH.....	40 - 61	3D6	CAB FLOOR MAT	90 - 2
4C15	BELT, DRIVE, SHAFT AND BEATER.....	120 - 36	3D18	CAB FRAME AND SUPPORT	90 - 14
3I11	BELT, FAN, DUST, LH FEEDER HOUSE	110 - 48	3D16	CAB GLASS AND DOOR	90 - 12
3E19	BELT, OPERATOR'S SEAT	90 - 40	3G12	CAB HARDWARE KIT	90 - 84
3E20	BELT, SEAT - TRAINING SEAT	90 - 41	3D12	CAB INTERIOR TRIM PANELS	90 - 8
5E4	BELTS, AIR CONDITIONER COMPRESSOR	170 - 3	3E3	CAB L.H. LANDING AND MIRROR	90 - 24
5E3	BELTS, AUGER	170 - 2	3E5	CAB LANDING AND MIRROR (R.H.).....	90 - 26
5E6	BELTS, BEATER	170 - 5	1F11	CAB LIGHT, DOME	40 - 1
5E4	BELTS, CLEAN GRAIN ELEVATOR.....	170 - 3	3E17	CAB OPERATOR'S SEAT AND BACKREST	90 - 38
5E3	BELTS, CONVEYOR FEEDER	170 - 2	3D6	CAB PANELS AND FLOOR MAT	90 - 2
5E4	BELTS, COOLING FAN.....	170 - 3	1F16	CAB POST INSTRUMENT PANEL	40 - 6
5E4	BELTS, CYLINDER DRIVE	170 - 3	3E9	CAB POST INSTRUMENT PANEL	90 - 30
5E4	BELTS, DRIVE, CYLINDER INTERMEDIATE	170 - 3	3D10	CAB REAR AND SIDE SEALS	90 - 6
5E3	BELTS, ENGINE DRIVE	170 - 2	3D20	CAB ROOF AND SUPPORTS.....	90 - 16
5E5	BELTS, FAN, CLEANING	170 - 4	1F18	CAB ROOF LIGHTS	40 - 8
5E3	BELTS, FEEDER CONVEYOR	170 - 2	3E23	CAB SEAT HEIGHT ADJUSTER (VERTICAL CONTROL).....	90 - 44
5E5	BELTS, FEEDER HOUSE	170 - 4	3D8	CAB SOUND DEADENING, FOAM AND SEALS.....	90 - 4
5E5	BELTS, HEADER AND REEL	170 - 4	1F12	CAB WIRING HARNESS.....	40 - 2
5E6	BELTS, LOWER TAILINGS AUGER.....	170 - 5	3D16	CAB, COMPLETE	90 - 12
5E4	BELTS, LOWER TAILINGS AUGER	170 - 3	4C11	CABLE, CONCAVE INDICATOR, AND BRACKETS	120 - 32
5E4	BELTS, ROTARY SCREEN.....	170 - 3	1I20	CABLE, WIRING	40 - 80
5E5	BELTS, STRAW CHOPPER	170 - 4	1I6	CABLES, BATTERY.....	40 - 66
5E5	BELTS, STRAW SPREADER	170 - 4	2B8	CABLES, HYDROSTATIC DRIVE CONTROL	50 - 4
5E5	BELTS, UNLOADING AUGERS	170 - 4	2C18	CAM LOBE MOTOR (STEERABLE MOTOR)	50 - 43
5E6	BELTS, UNLOADING SYSTEM.....	170 - 5	2D1	CAM, CARRIER, AND PISTON (STEERABLE MOTOR).....	50 - 50
5E6	BELTS, UPPER TAILINGS AUGER	170 - 5	1C9	CAMSHAFT	24 - 7
5E3	BELTS, WALKER.....	170 - 2	1C7	CAMSHAFT FOLLOWERS	24 - 5
2I3	BI-DIRECTIONAL MODULE, SOLENOID CONTROL VALVE, REEL LIFT AND CYLINDER SPEED	70 - 46	1C9	CAMSHAFT GEAR.....	24 - 7
1C14	BLOCK, CYLINDER	24 - 12	5C9	CAP, GRAIN TANK CLEAN OUT CHUTE	130 - 32
1B17	BLOCK, ENGINE COOLANT HEATER.....	20 - 16	1C19	CAP,ENGINE OIL FILL	24 - 18
2C17	BLOCK, VALVE	50 - 42	1C14	CAP,MAIN BEARING	24 - 12
1C16	BLOCK,ENGINE SHORT	24 - 14	2D3	CAPS, YOKE AND PIVOTS (STEERABLE MOTOR)	50 - 52
1I12	BOARDS, ELECTRONIC	40 - 72	2D1	CARRIER, PISTON, AND CAM (STEERABLE MOTOR).....	50 - 50
1I2	BOSCH ALTERNATOR AND VOLTAGE REGULATOR (95 AMP)	40 - 62	2D21	CASE DRAIN, 4-WHEEL DRIVE, HYDRAULIC LINES	50 - 70
3E1	BOX, TOOL	90 - 22	5C9	CASE, VERTICAL AUGER LOWER GEAR	130 - 32
2E20	BRACKET, BRAKE CABLE SUPPORT	60 - 13	1F16	CDC (COMBINE DATA CENTER)	40 - 6
3H22	BRACKET, FEEDER CONVEYOR	110 - 34	3E9	CDC (COMBINE DATA CENTER)	90 - 30
2H11	BRACKET, SINGLE ACCUMULATOR MOUNTING	70 - 30	4I21	CHAFF SPREADER (DUAL MOTOR) HOSES AND LINES	125 - 28
1H5	BRACKET, STRAW CHOPPER SENSOR	40 - 40			
1E12	BRACKET,AIR CONDITIOING COMPRESSOR	24 - 62			

ALPHABETICAL INDEX - CONTINUED

GRID		PAGE	GRID		PAGE
417	CHAFF SPREADER (DUAL MOTOR) PAN, WINGS AND SEALS.....	125 - 14	5C9	CLEAN OUT CHUTE, GRAIN TANK	130 - 32
415	CHAFF SPREADER (DUAL MOTOR) SHIELDS AND HANDLES	125 - 12	1E23	CLEANER, AIR AND INTAKE TUBES	30 - 10
4111	CHAFF SPREADER CONTROL, CHECK VALVE, ROD AND KNOB.....	125 - 18	4G15	CLEANING FAN DRIVE, SEPARATOR	121 - 48
413	CHAFF SPREADER DISC (DUAL MOTOR).....	125 - 10	4D3	CLEANING FAN INTAKE SHIELDS	120 - 48
4117	CHAFF SPREADER LINES AND FITTINGS	125 - 24	4D5	CLEANING FAN INTAKE SHIELDS	120 - 50
2G15	CHAFF SPREADER MOTOR (EATON).....	70 - 8	4D7	CLEANING FAN INTAKE SHIELDS	120 - 52
419	CHAFF SPREADER MOUNTING SUPPORT.....	125 - 16	4D1	CLEANING FAN LEAF SCREENS (CORN)	120 - 46
4119	CHAFF SPREADER, LINES, HOSES, VALVE AND PUMP.....	125 - 26	4D3	CLEANING FANS AND SHROUDS	120 - 48
4123	CHAFF SPREADER, PUMP	125 - 30	4D5	CLEANING FANS AND SHROUDS	120 - 50
4D17	CHAFFER ELEMENT.....	120 - 62	1J13	CLEANING SHOE LAMP INSTALLATION	40 - 98
4D19	CHAFFER EXTENSION ELEMENT	120 - 64	4C20	CLEANOUT DOOR	120 - 41
4D21	CHAFFER FRAME	120 - 66	4C19	CLEANOUT DOOR, CONVEYOR AUGER, HANDLE AND LATCHES	120 - 40
4D15	CHAFFER FRAME ARMS, PRECLEANER	120 - 60	3H7	CLEANOUT DOORS, FEEDER HOUSE.....	110 - 18
4D11	CHAFFER FRAME, PRE-CLEANER.....	120 - 56	3H11	CLOSURE PLATES, FEEDER HOUSE - CONTOUR MASTER	110 - 22
4D9	CHAFFER, PRE-CLEANING	120 - 54	4F9	CLUTCH, HEADER ELECTROMAGNETIC.....	121 - 18
4J15	CHAIN TIGHTENER, UPPER TAILINGS DRIVE	125 - 46	3H16	CLUTCH, SLIP, FEEDER HOUSE	110 - 28
5B7	CHAIN, CONVEYOR, CLEAN GRAIN LOWER ELEVATOR	130 - 4	2F1	COLD WEATHER START BUTTON	60 - 18
5B9	CHAIN, CONVEYOR, CLEAN GRAIN LOWER ELEVATOR	130 - 6	3F18	COLD WEATHER START BUTTON	90 - 64
3H22	CHAIN, FEEDER CONVEYOR DRIVE	110 - 34	1E21	COLD WEATHER STARTING AID	30 - 8
4J9	CHAIN, TAILINGS ELEVATOR CONVEYOR	125 - 40	1F16	COMBINE DATA CENTER	40 - 6
5D7	CHANNEL, CROSS AUGER	130 - 56	3E9	COMBINE DATA CENTER	90 - 30
5C11	CHARGE HOUSING, VERTICAL UNLOADING AUGER	130 - 34	3B13	COMPARTMENT, ENGINE	80 - 10
2J10	CHARGE PRESSURE HOSE	70 - 80	3B15	COMPARTMENT, ENGINE	80 - 12
4111	CHECK VALVE, ROD AND KNOB, CHAFF SPREADER CONTROL.....	125 - 18	3D16	COMPLETE CAB	90 - 12
5C9	CHUTE, GRAIN TANK CLEAN OUT CHUTE.....	130 - 32	3G3	COMPRESSOR AIR CONDITIONER R134A REFRIGERANT	90 - 74
1F24	CIGARETTE LIGHTER	40 - 14	3G8	COMPRESSOR HARDWARE KIT R134A	90 - 80
1F16	CIRCUIT BOARD, COMBINE DATA CENTER.....	40 - 6	3G6	COMPRESSOR, A/C, HOSE.....	90 - 77
3E9	CIRCUIT BOARD, COMBINE DATA CENTER.....	90 - 30	5E4	COMPRESSOR, AIR CONDITIONING BELTS.....	170 - 3
1110	CIRCUIT BREAKER AND RELAY, THROTTLE CONTROL PANEL.....	40 - 70	3G5	COMPRESSOR, AIR CONDITIONING, R134A	90 - 76
118	CIRCUIT BREAKER RELAYS.....	40 - 68	114	CONCAVE ADJUSTING MOTOR	40 - 64
118	CIRCUIT BREAKERS, ENGINE COMPARTMENT.....	40 - 68	4B23	CONCAVE ASSEMBLY AND BEATER GRATE,	120 - 20
1H23	CLAMPS, UNLOADING AUGER LIGHT	40 - 58	4C11	CONCAVE INDICATOR, CABLE AND BRACKETS	120 - 32
5B7	CLEAN GRAIN CONVEYOR CHAIN.....	130 - 4	4C13	CONCAVE INDICATOR, CORN AND SMALL GRAIN....	120 - 34
5B9	CLEAN GRAIN CONVEYOR CHAIN.....	130 - 6	4B17	CONCAVE, RASP BAR AND GRATE	120 - 14
5B24	CLEAN GRAIN ELEVATOR DRIVE IDLER	130 - 22	4B21	CONCAVE, RASP BAR AND GRATE	120 - 18
5B24	CLEAN GRAIN ELEVATOR DRIVE TIGHTENER	130 - 22	4C5	CONCAVE, SPIKE TOOTH	120 - 26
5B24	CLEAN GRAIN ELEVATOR DRIVE TIGHTENER AND IDLER.....	130 - 22	4C3	CONCAVE, SPIKE-TOOTH	120 - 24
5B22	CLEAN GRAIN ELEVATOR GEARCASE	130 - 20	3G3	CONDENSER, AIR CONDITIONER R134A REFRIGERANT	90 - 74
5C1	CLEAN GRAIN ELEVATOR SHIELDS, UPPER.....	130 - 24	2J1	CONDENSER, AIR CONDITIONING AND OIL COOLER	70 - 70
5B13	CLEAN GRAIN ELEVATOR UPPER SHAFT	130 - 10	1C5	CONDITIONER, COOLANT.....	24 - 3
5B13	CLEAN GRAIN ELEVATOR UPPER SHAFT, SPROCKET AND SHEAVE.....	130 - 10	1C12	CONNECTING ROD	24 - 10
5B13	CLEAN GRAIN ELEVATOR UPPER SHEAVE.....	130 - 10	1C12	CONNECTING ROD BEARINGS	24 - 10
5B13	CLEAN GRAIN ELEVATOR UPPER SPROCKET	130 - 10	1114	CONNECTORS, ELECTRICAL, WEATHERPACK	40 - 74
5B11	CLEAN GRAIN ELEVATOR, UPPER	130 - 8	1I22	CONNECTORS, HARNESS, LOWER, FOR ENGINE	40 - 82
5B19	CLEAN GRAIN LOADING AUGER	130 - 16	1I24	CONNECTORS, HARNESS, UPPER FOR ENGINE	40 - 84
5B15	CLEAN GRAIN LOADING AUGER HOUSING, UPPER	130 - 12	1E10	CONNECTORS, STARTING AID	24 - 60
5B17	CLEAN GRAIN LOADING AUGER HOUSING, UPPER	130 - 14	1J3	CONNECTORS, SUPPLEMENTARY TERMINALS	40 - 88
5B21	CLEAN GRAIN LOADING AUGER, FOLD	130 - 18	3F11	CONSOLE GLOVE BOX AND ARM REST, R.H.....	90 - 56
5B5	CLEAN GRAIN LOWER AUGER	130 - 2	1F14	CONSOLE PANEL, OVERHEAD.....	40 - 4
5B5	CLEAN GRAIN LOWER AUGER AND HINGED DOOR	130 - 2	3H11	CONTOUR MASTER - FEEDER HOUSE FRAME, TILT BEAM & CLOSURE PLATES.....	110 - 22
5B7	CLEAN GRAIN LOWER ELEVATOR	130 - 4	3I17	CONTOUR MASTER DRIVE SHAFT (FOR 444,494 CORN HEAD AND 914 BPU).....	110 - 54
5B9	CLEAN GRAIN LOWER ELEVATOR	130 - 6	3I21	CONTOUR MASTER DRIVESHAFT	110 - 58
5B7	CLEAN GRAIN LOWER ELEVATOR AND CONVEYOR CHAIN	130 - 4	2H7	CONTOUR MASTER HYDRAULIC HOSES, L.H SIDE (OPTIONAL).....	70 - 26
5B9	CLEAN GRAIN LOWER ELEVATOR AND CONVEYOR CHAIN	130 - 6	3H15	CONTOUR MASTER LOCKOUT ADAPTER KIT (BELT PU & 4R CORN HEADS)	110 - 26
			2H24	CONTOUR MASTER SOLENOID CONTROL RELIEF VALVE	70 - 43
			2I21	CONTOUR MASTER TILT CYLINDER.....	70 - 66

ALPHABETICAL INDEX - CONTINUED

GRID	PAGE	GRID	PAGE		
2I22	CONTOUR MASTER TILT CYLINDER HOSES AND FITTINGS	70 - 67	1E1	CRANKSHAFT DAMPER.....	24 - 50
1H1	CONTOUR MASTER WIRING HARNESS	40 - 36	1C8	CRANKSHAFT GEAR	24 - 6
1H3	CONTOUR MASTER WIRING HARNESS ADAPTER	40 - 38	1E1	CRANKSHAFT PULLEY	24 - 50
3H9	CONTOUR MASTER, FEEDER HOUSE SHELL, WEAR PLATES AND SEALS	110 - 20	1E6	CRANKSHAFT REAR OIL SEAL	24 - 55
3H13	CONTOUR MASTER, LOCKOUT ASSEMBLY (OPTIONAL).....	110 - 24	1C8	CRANKSHAFT THRUST BEARING	24 - 6
2B8	CONTROL CABLES, HYDROSTATIC DRIVE	50 - 4	5D3	CROSS AUGER BEARING PLATE, L.H.	130 - 52
1G1	CONTROL PANEL, ARMREST	40 - 16	5D7	CROSS AUGER COVERS AND CHANNEL.....	130 - 56
1F24	CONTROL PANEL, OPERATOR'S ARMREST	40 - 14	5D5	CROSS AUGERS, GRAIN TANK	130 - 54
1110	CONTROL PANEL, THROTTLE, RELAY AND CIRCUIT BREAKER	40 - 70	3B5	CROSS BRACES, SEPARATOR	80 - 2
2D7	CONTROL VALVE	50 - 56	3F17	CUP HOLDER	90 - 62
2I8	CONTROL VALVE MODULE, SIX STACK SOLENOID ASSEMBLY & MOUNTINGS.....	70 - 52	4B19	CURTAIN, BEATER GRATE	120 - 16
2D8	CONTROL VALVE SOLENOID (FOUR-WHEEL DR.)	50 - 57	4E11	CURTAIN, SEPARATOR	120 - 80
3G10	CONTROL VALVE, HEATER	90 - 82	4E13	CURTAIN, SEPARATOR (SPIKE-TOOTH CYLINDER).....	120 - 82
2C13	CONTROL VALVE, HYDRO. DR. DISPLACMENT	50 - 38	4J1	CURTAIN, SPREADER	125 - 32
2I5	CONTROL VALVE, SOLENOID, FOR AUGER SWING..	70 - 49	5C7	CURTAINS, GRAIN TANK.....	130 - 30
1J5	CONVENIENCE OUTLET	40 - 90	2G19	CUTTING PLATFORM , 200 SERIES CONVERSION PARTS	70 - 12
1J15	CONVENIENCE OUTLET	40 - 100	1C14	CYLINDER BLOCK	24 - 12
2G19	CONVERSION PARTS, HUDRAULIC, 200 SERIES CUTTING PLATFORM.....	70 - 12	4B5	CYLINDER COVER, THRESHING	120 - 2
5E3	CONVEYOR AUGER BELTS,	170 - 2	4B9	CYLINDER DOOR (CORN AND GRAIN)	120 - 6
4C19	CONVEYOR AUGER CLEANOUT DOOR, HANDLE AND LATCHES.....	120 - 40	4B11	CYLINDER DOOR, CORN (ARGENTINA ONLY).....	120 - 8
4G11	CONVEYOR AUGERS, STRAW WALKER, SIEVE AND CHAFFER DRIVE	121 - 44	4G3	CYLINDER DRIVE ADJUSTING BRACKET, INTERMEDIATE.....	121 - 36
5B7	CONVEYOR CHAIN, CLEAN GRAIN	130 - 4	4G1	CYLINDER DRIVE BELT.....	121 - 34
5B9	CONVEYOR CHAIN, CLEAN GRAIN	130 - 6	4F17	CYLINDER DRIVE BELT, EXTENDED RANGE.....	121 - 26
1C5	COOLANT CONDITIONER	24 - 3	4F17	CYLINDER DRIVE GEAR CASE, DUAL-RANGE.....	121 - 26
1B17	COOLANT HEATER, ENGINE BLOCK.....	20 - 16	4F23	CYLINDER DRIVE INTERMEDIATE SHAFT MOUNTING, DUAL-RANGE	121 - 32
1F5	COOLANT RECOVERY TANK	30 - 16	4G1	CYLINDER DRIVE INTERMEDIATE SHEAVE, DUAL-RANGE	121 - 34
5E4	COOLING FAN BELTS	170 - 3	4F21	CYLINDER DRIVE TIGHTENER, DUAL-RANGE	121 - 30
4C13	CORN AND SMALL GRAIN CONCAVE INDICATOR	120 - 34	4F13	CYLINDER DRIVE, SINGLE RANGE	121 - 22
4H20	CORN CURTAIN AND DEFLECTORS	125 - 2	4F15	CYLINDER DRIVE, SLOW SPEED.....	121 - 24
4B11	CORN CYLINDER DOOR (ARGENTINA ONLY).....	120 - 8	1D3	CYLINDER HEAD	24 - 26
3C11	CORNER SHEET, R H FRONT	80 - 32	1D3	CYLINDER HEAD GASKET	24 - 26
3C13	CORNER SHEET, REAR, L H	80 - 34	1E7	CYLINDER HEAD REMOVAL GASKET SET.....	24 - 56
4G5	COUNTERSHAFT DRIVE, SECONDARY.....	121 - 38	1C12	CYLINDER LINER	24 - 10
5D8	COUNTERSHAFT DRIVE, UNLOADING AUGER	130 - 58	1C12	CYLINDER LINER O-RING KIT	24 - 10
4F5	COUNTERSHAFT GEARCASE, PRIMARY	121 - 14	1C5	CYLINDER LINER PACKING LUBRICANT	24 - 3
4F7	COUNTERSHAFT GEARCASE, PRIMARY	121 - 16	4B13	CYLINDER SHEAR BAR	120 - 10
1B15	COUPLING WITH HUB, ENGINE-TRANSMISSION.....	20 - 14	2I3	CYLINDER SPEED AND REEL LIFT, SOLENOID CONTROL VALVE.....	70 - 46
1C10	COVER, ACCESS, INJECTION PUMP GEAR	24 - 8	2H21	CYLINDER SPEED HYDRAULIC LINES AND HOSES ..	70 - 40
4C17	COVER, BEATER	120 - 38	2E19	CYLINDER, BRAKE SLAVE	60 - 12
3G7	COVER, COMPRESSOR A/C R134A.....	90 - 79	2E15	CYLINDER, BRAKE, MASTER	60 - 8
3B13	COVER, ENGINE.....	80 - 10	2I17	CYLINDER, DRIVE, GRAIN TANK UNLOADING.....	70 - 62
3B15	COVER, ENGINE.....	80 - 12	2H9	CYLINDER, HEADER LIFT, HYDRAULIC	70 - 28
2C7	COVER, HYDROSTATIC DRIVE PUMP.....	50 - 31	2I15	CYLINDER, HYDRAULIC, UNLOADING AUGER SWING, LINES AND HOSES	70 - 60
2C4	COVER, HYDROSTATIC PUMP (RING AND PINION)	50 - 28	2F13	CYLINDER, STEERING (4-WHEEL DRIVE).....	60 - 30
2C21	COVER, INNER	50 - 46	4B15	CYLINDER, THRESHING, RASP BAR	120 - 12
1C19	COVER, OIL FILLER OPENING	24 - 18	4C1	CYLINDER, THRESHING, SPIKE TOOTH (OPTIONAL).....	120 - 22
2C24	COVER, QUILL AND BEARING (STEERABLE MOTOR).....	50 - 49	2I21	CYLINDER, TILT - CONTOUR MASTER	70 - 66
1C6	COVER, ROCKER ARM	24 - 4	2I22	CYLINDER, TILT, HOSES AND FITTINGS - CONTOUR MASTER.....	70 - 67
1D15	COVER, THERMOSTAT	24 - 38	2I19	CYLINDER, UNLOADING AUGER SWING	70 - 64
4B5	COVER, THRESHING CYLINDER	120 - 2	2E11	CYLINDERS, MASTER BRAKE AND BRAKE PEDALS	60 - 4
1C10	COVER, TIMING GEAR.....	24 - 8			
5D7	COVERS AND CHANNEL, CROSS AUGER	130 - 56		D	
1B19	CRANKCASE, ENGINE, OIL DRAIN.....	20 - 18	1E1	DAMPER,CRANKSHAFT	24 - 50
4E9	CRANKS, STRAW WALKER, STRAW SPREADER DRIVE AND SHIELD	120 - 78	1F16	DATA CENTER, COMBINE.....	40 - 6
1C8	CRANKSHAFT	24 - 6	3E9	DATA CENTER, COMBINE.....	90 - 30

ALPHABETICAL INDEX - CONTINUED

GRID		PAGE	GRID		PAGE
5F6	DECALS, FRONT WHEEL.....	170-30	2B10	DRIVE WHEELS	50-6
5F4	DECALS, LEFT-HAND	170-28	4G23	DRIVE, BELT PICKUP / REEL PUMP MOUNTING SHEAVE	121-56
5F6	DECALS, REAR WHEEL	170-30	4G15	DRIVE, CLEANING FAN, SEPARATOR	121-48
5F3	DECALS, RIGHT-HAND	170-26	5D8	DRIVE, COUNTERSHAFT, UNLOADING AUGER	130-58
5E7	DECALS, SAFETY AND LOCATIONS	170-6	5E4	DRIVE, CYLINDER INTERMEDIATE, BELTS	170-3
5E9	DECALS, SAFETY AND LOCATIONS	170-8	5E4	DRIVE, CYLINDER, BELTS.....	170-3
5E11	DECALS, SAFETY AND LOCATIONS	170-10	1B12	DRIVE, ENGINE.....	20-10
5E13	DECALS, SAFETY AND LOCATIONS	170-12	4G19	DRIVE, FAN, SPEED CONTROL SHEAVE LINKAGE....	121-52
5E15	DECALS, SAFETY AND LOCATIONS	170-14	4G7	DRIVE, GEARCASE, STRAW WALKER.....	121-40
5E17	DECALS, SAFETY AND LOCATIONS - FRENCH.....	170-16	2C15	DRIVE, HYDROSTATIC MOTOR, FIXED (RING AND PINION)	50-40
5E19	DECALS, SAFETY AND LOCATIONS - FRENCH.....	170-18	2D11	DRIVE, HYDROSTATIC, LOWER OIL LINES (FOUR WHEEL DRIVE)	50-60
5E21	DECALS, SAFETY AND LOCATIONS - FRENCH.....	170-20	2D13	DRIVE, HYDROSTATIC, LOWER OIL LINES (TWO WHEEL DRIVE)	50-62
5E23	DECALS, SAFETY AND LOCATIONS - FRENCH.....	170-22	2G13	DRIVE, REEL, FLOW CONTROL VALVE	70-6
5F1	DECALS, SAFETY AND LOCATIONS - FRENCH.....	170-24	2G20	DRIVE, REEL, HYD., FRONT LINES AND HOSES.....	70-14
5F8	DECALS, TOP	170-32	2G11	DRIVE, REEL, HYDRAULIC LINES AND HOSES, L.H. SIDE	70-4
4H7	DECK, SUPPORTS AND FINS, STRAW CHOPPER.....	121-64	4G5	DRIVE, SECONDARY COUNTERSHAFT.....	121-38
4H20	DEFLECTORS AND CORN CURTAIN	125-2	1B8	DRIVES, ENGINE FAN	20-6
5D20	DIAL-A-MATIC ELECTRICAL HARNESS	160-4	4H1	DRIVES, STRAW CHOPPER (FRONT)	121-58
5D18	DIAL-A-MATIC HEADER HEIGHT CONTROL HYDRAULIC LINE AND VALVE BLOCK	160-2	4H3	DRIVES, STRAW CHOPPER (REAR)	121-60
5D19	DIAL-A-MATIC HEADER HEIGHT CONTROL VALVE BLOCK SOLENOID	160-3	3I21	DRIVESHAFT, CONTOUR MASTER	110-58
2B22	DIFFERENTIAL GEARS	50-20	2E17	DRUM, BRAKE.....	60-10
2B22	DIFFERENTIAL SHAFTS.....	50-20	1H23	DUAL LEVEL MONITOR	40-58
1F12	DIGITAL TACH CONN. (WIRING HARNESS).....	40-2	1H23	DUAL LEVEL MONITOR WIRING HARNESS	40-58
1C20	DIPSTICK, ENGINE OIL	24-19	4F17	DUAL-RANGE CYLINDER DRIVE GEAR CASE	121-26
4I3	DISC, CHAFF SPREADER (DUAL MOTOR)	125-10	4F23	DUAL-RANGE CYLINDER DRIVE INTERMEDIATE SHAFT MOUNTING.....	121-32
2C13	DISPLACEMENT CONTROL VALVE, HYDRO. DR.	50-38	4G1	DUAL-RANGE CYLINDER DRIVE INTERMEDIATE SHEAVE.....	121-34
1F12	DOMELIGHT (WIRING HARNESS).....	40-2	4F21	DUAL-RANGE CYLINDER DRIVE TIGHTENER	121-30
3D14	DOOR LATCH, CAB	90-10	4F19	DUAL-RANGE LOCKOUT ARM	121-28
3D16	DOOR, CAB AND GLASS.....	90-12	3E8	DUCTS, HEATER AND AIR CONDITIONING	90-29
4H22	DOOR, CHOPPER, STRAW	125-4	3I11	DUST FAN BELT, LH FEEDER HOUSE	110-48
5B5	DOOR, CLEAN GRAIN LOWER AUGER	130-2	3I9	DUST FAN, LH SIDE FEEDER HOUSE.....	110-46
3C15	DOOR, CORNER SHEET, LEFT - HAND FRONT.....	80-36			
4B9	DOOR, CYLINDER (CORN AND GRAIN)	120-6		E	
4B11	DOOR, CYLINDER DOOR (ARGENTINA ONLY).....	120-8	1H17	EITHER START SOLENIOD, 6068 LOWER PARTS.....	40-52
3B9	DOOR, ENGINE ACCESS.....	80-6	1H17	EITHER START SOLENOID, LOWER PARTS.....	40-52
3B9	DOOR, RADIATOR	80-6	1D1	ELBOW, ENGINE VENTILATING	24-24
1B6	DOOR, ROTARY SCREEN	20-4	1I16	ELECTRICAL CONNECTOR SERVICE KIT	40-76
4H22	DOOR, STRAW CHOPPER.....	125-4	1I18	ELECTRICAL CONNECTOR SERVICE KIT	40-78
1C21	DRAIN HOSE, ENGINE OIL	24-20	5D20	ELECTRICAL HARNESS, DIAL-A-MATIC.....	160-4
1E2	DRIVE BELT IDLER PULLEY	24-51	1J4	ELECTRICAL SERVICE OUTLET.....	40-89
4F17	DRIVE BELT, EXTENDED RANGE CYLINDER.....	121-26	1I14	ELECTRICAL TERMINALS AND CONNECTORS, WEATHERPACK	40-74
4G1	DRIVE BELT, EXTENDED RANGE CYLINDER.....	121-34	4F9	ELECTROMAGNETIC HEADER CLUTCH	121-18
4J15	DRIVE CHAIN TIGHTENER, UPPER TAILINGS	125-46	1I12	ELECTRONIC BOARDS	40-72
2B8	DRIVE CONTROL CABLES, HYDROSTATIC	50-4	1I12	ELECTRONIC HOUSING ASSEMBLY AND ELECTRONIC BOARDS	40-72
5B24	DRIVE IDLER, CLEAN GRAIN ELEVATOR	130-22	4D17	ELEMENT, CHAFFER	120-62
2E1	DRIVE MOTOR, HYDROSTATIC	50-74	4D19	ELEMENT, CHAFFER EXTENSION	120-64
3I17	DRIVE SHAFT, CONTOUR MASTER (FOR 444,494 CORN HEAD AND 914 BPU).....	110-54	4D23	ELEMENT, SIEVE	120-68
4F3	DRIVE SHAFT, GEARCASE AND PRIMARY COUNTERSHAFT	121-12	1D19	ELEMENT,FUEL FILTER	24-42
2B12	DRIVE SHAFTS	50-8	5B24	ELEVATOR DRIVE IDLER, CLEAN GRAIN	130-22
3C5	DRIVE SHIELD, R.H. REAR	80-26	5B24	ELEVATOR DRIVE TIGHTENER, CLEAN GRAIN.....	130-22
3H5	DRIVE SHIELDS, CONTOUR MASTER FEEDER HOUSE.....	110-16	5C1	ELEVATOR SHIELDS, UPPER CLEAN GRAIN.....	130-24
3H3	DRIVE SHIELDS, SAFETY STOP, FEEDER HOUSE	110-14	5E4	ELEVATOR, CLEAN GRAIN BELTS.....	170-3
4H5	DRIVE SHIELDS, STRAW CHOPPER	121-62	5B7	ELEVATOR, LOWER, CLEAN GRAIN	130-4
4H15	DRIVE SPROCKETS, STRAW CHOPPER.....	121-72	5B9	ELEVATOR, LOWER, CLEAN GRAIN	130-6
5B24	DRIVE TIGHTENER, CLEAN GRAIN ELEVATOR.....	130-22	5B11	ELEVATOR, UPPER CLEAN GRAIN	130-8
4G21	DRIVE TIGHTENER, FEEDER HOUSE	121-54			
3H1	DRIVE TIGHTENER, FIXED SPEED FEEDER HOUSE.....	110-12			
3G24	DRIVE TIGHTENER, VARIABLE SPEED	110-10			

ALPHABETICAL INDEX - CONTINUED

GRID		PAGE	GRID		PAGE
1B13	ENGINE MOUNTS AND REAR SUPPORT.....	20 - 12	3F18	ETHER START BUTTON	90 - 64
3B9	ENGINE ACCESS DOOR, HANDRAILS, AND RADIATOR DOOR.....	80 - 6	1E21	ETHER STARTING AID.....	30 - 8
3B17	ENGINE ACCESS PLATFORM AND STEP	80 - 14	3G10	EVAPORATOR/HEATER UNIT	90 - 82
1H19	ENGINE AIR FILTER WARNING SWITCH.....	40 - 54	3G3	EVAPORATOR, AIR CONDITIONER R134A REFRIGERANT	90 - 74
1I8	ENGINE CIRCUIT BREAKERS	40 - 68	1D5	EXHAUST MANIFOLD	24 - 28
3B13	ENGINE COMPARTMENT.....	80 - 10	1D5	EXHAUST MANIFOLD GASKET	24 - 28
3B15	ENGINE COMPARTMENT.....	80 - 12	1F1	EXHAUST PIPE AND MUFFLER	30 - 12
1D17	ENGINE COOLANT ADAPTER.....	24 - 40	1D3	EXHAUST VALVE	24 - 26
1B12	ENGINE DRIVE	20 - 10	4F17	EXTENDED RANGE CYLINDER DRIVE BELT	121 - 26
5E3	ENGINE DRIVE BELTS	170 - 2	4G1	EXTENDED RANGE CYLINDER DRIVE BELT	121 - 34
5E3	ENGINE DRIVE SHEAVES	170 - 2	4D19	EXTENSION ELEMENT, CHAFFER	120 - 64
1B8	ENGINE FAN DRIVES.....	20 - 6			
1E5	ENGINE FLYWHEEL	24 - 54		F	
1C13	ENGINE FRONT PLATE	24 - 11			
4E23	ENGINE GEARCASE (SEPARATOR AND PUMP DRIVE)	121 - 8	1E2	FAN BELT IDLER PULLEY	24 - 51
2J3	ENGINE GEARCASE OIL FILTER ASSEMBLY	70 - 72	1E3	FAN DRIVE BELT TENSIONER	24 - 52
2J5	ENGINE GEARCASE PRESSURE REGULATOR	70 - 74	3C3	FAN DRIVE SHIELD (L-H SIDE).....	80 - 24
4E21	ENGINE GEARCASE- SEPARATOR DRIVE WET- CLUTCH AND PUMP DRIVE SHAFT	121 - 6	4G17	FAN DRIVE SPEED CONTROL LINKAGE.....	121 - 50
4E17	ENGINE GEARCASE- STRAW CHOPPER, UNLOADING DRIVE AND SEPARATOR DRIVE GEAR	121 - 2	4G19	FAN DRIVE SPEED CONTROL SHEAVE LINKAGE.....	121 - 52
4F1	ENGINE GEARCASE, SEPARATOR AND PUMP DRIVE	121 - 10	1E3	FAN DRIVE SUPPORT	24 - 52
4E19	ENGINE GEARCASE, STRAW CHOPPER, UNLOAD- ING DRIVE AND SEPARATOR DRIVE GEAR	121 - 4	3F24	FAN, AIR CONDITIONING/HEATER AND PRESSURIZING	90 - 70
1E8	ENGINE MAJOR OVERHAUL GASKET SET.....	24 - 58	5E5	FAN, CLEANING, BELTS	170 - 4
1C4	ENGINE OIL.....	24 - 2	4G15	FAN, DRIVE, CLEANING, SEPARATOR	121 - 48
1C14	ENGINE OIL BY-PASS VALVE.....	24 - 12	3I9	FAN, DUST, LH SIDE FEEDER HOUSE	110 - 46
1D17	ENGINE OIL COOLER	24 - 40	1B8	FAN, ENGINE.....	20 - 6
1C20	ENGINE OIL DIPSTICK.....	24 - 19	4D3	FANS, CLEANING	120 - 48
1C20	ENGINE OIL DIPSTICK TUBE	24 - 19	4D5	FANS, CLEANING	120 - 50
1C21	ENGINE OIL DRAIN HOSE.....	24 - 20	3I3	FEED PLATE LATCH HANDLE	110 - 40
1C21	ENGINE OIL DRAIN VALVE	24 - 20	5E3	FEEDER CONVEYOR BELTS.....	170 - 2
1C19	ENGINE OIL FILL CAP	24 - 18	3H22	FEEDER CONVEYOR BRACKET.....	110 - 34
1C6	ENGINE OIL FILL PLUG	24 - 4	3H22	FEEDER CONVEYOR DRIVE CHAIN	110 - 34
1C23	ENGINE OIL FILTER	24 - 22	3H24	FEEDER CONVEYOR DRIVE CHAIN, TIGHTENER AND GUIDES.....	110 - 36
1C21	ENGINE OIL PAN	24 - 20	3H22	FEEDER CONVEYOR IDLER	110 - 34
1C18	ENGINE OIL PUMP	24 - 17	1J11	FEEDER HOUSE BACKSHAFT SPEED SENSOR	40 - 96
1C18	ENGINE OIL PUMP GEAR	24 - 17	5E5	FEEDER HOUSE BELTS	170 - 4
1C18	ENGINE OIL PUMP HOUSING.....	24 - 17	3H5	FEEDER HOUSE DRIVE SHIELDS - CONTOUR MASTER	110 - 16
1C18	ENGINE OIL PUMP INTAKE.....	24 - 17	3H3	FEEDER HOUSE DRIVE SHIELDS AND SAFETY STOP	110 - 14
1C12	ENGINE PISTON	24 - 10	4G21	FEEDER HOUSE DRIVE TIGHTENER.....	121 - 54
1H19	ENGINE PLUGGED AIR FILTER WARNING SWITCH ..	40 - 54	3H1	FEEDER HOUSE DRIVE TIGHTENER (FIXED SPEED)	110 - 12
3B13	ENGINE RAILS	80 - 10	3I11	FEEDER HOUSE DUST FAN BELT, LH	110 - 48
3B15	ENGINE RAILS	80 - 12	3I9	FEEDER HOUSE DUST FAN, LH SIDE.....	110 - 46
1C16	ENGINE SHORT BLOCK.....	24 - 14	3H20	FEEDER HOUSE FLOOR	110 - 32
1H15	ENGINE TACH SENSOR, UPPER PARTS	40 - 50	3H7	FEEDER HOUSE FRAME AND FRONT SHAFT	110 - 18
1E11	ENGINE TACHOMETER SENSOR.....	24 - 61	3H11	FEEDER HOUSE FRAME, TILT BEAM & CLOSURE PLATES, CONTOUR MASTER.....	110 - 22
1F16	ENGINE TEMPERATURE GAUGE	40 - 6	3I19	FEEDER HOUSE FRONT DRIVE SHAFT, SHEAVE AND MOUNTINGS (FIXED SPEED WITH	110 - 56
3E9	ENGINE TEMPERATURE GAUGE	90 - 30	3I7	FEEDER HOUSE RETURN FLOOR.....	110 - 44
1H15	ENGINE TEMPERATURE SENDER, UPPER PARTS	40 - 50	3E13	FEEDER HOUSE REVERSER FOOT CONTROL	90 - 34
1H17	ENGINE TEMPERATURE SENDING SWITCH LOWER PARTS.....	40 - 52	3G20	FEEDER HOUSE REVERSER FOOT CONTROL	110 - 6
1H17	ENGINE TEMPERATURE SENDING SWITCH 6068, LOWER PARTS.....	40 - 52	3H9	FEEDER HOUSE SHELL - CONTOUR MASTER	110 - 20
1H15	ENGINE UPPER HARNESS, UPPER PARTS	40 - 50	3H16	FEEDER HOUSE SLIP CLUTCH	110 - 28
1H15	ENGINE UPPER HARNESS, UPPER PARTS	40 - 50	3I15	FEEDER HOUSE UPPER DRIVE SHAFT, SHEAVE AND MOUNTING (FIXED SPEED WITH	110 - 52
1C5	ENGINE VALVE STEM LUBRICANT	24 - 3	3H18	FEEDER HOUSE UPPER SHAFT	110 - 30
1D1	ENGINE VENTILATING SYSTEM.....	24 - 24	2G17	FEEDER HOUSE VARIABLE DRIVE HYDRAULIC HOSE	70 - 10
1B15	ENGINE-TRANSMISSION COUPLING WITH HUB	20 - 14	3H9	FEEDER HOUSE WEAR PLATES - CONTOUR MASTER	110 - 20
1H17	ENGINE, LOWER, HARNESS, LOWER PARTS	40 - 52			
2F1	ETHER START BUTTON	60 - 18			

ALPHABETICAL INDEX - CONTINUED

GRID		PAGE	GRID		PAGE
4B7	FEEDER HOUSE/SEPARATOR SEAL, STONE TRAP AND DOOR.....	120 - 4	2F5	FRONT STEERING HOSES AND LINES.....	60 - 22
315	FEEDER HOUSE, UPPER COUNTERSHAFT VARIABLE DRIVE	110 - 42	3G16	FRONT VARIABLE DRIVE SHEAVE AND MOUNTINGS	110 - 2
1F20	FIELD LIGHTING, AUXILIARY	40 - 10	5F6	FRONT WHEEL DECALS	170 - 30
1J9	FIELD LIGHTS	40 - 94	1D19	FUEL FILTER.....	24 - 42
1F14	FIELD LIGHTS SWITCH, AUX, OPTIONAL	40 - 4	1D19	FUEL FILTER ELEMENT.....	24 - 42
1E23	FILTER, AIR CLEANER.....	30 - 10	1D19	FUEL FILTER FUEL LINES.....	24 - 42
3E7	FILTER, CAB AIR	90 - 28	1D19	FUEL FILTER SERVICE KIT.....	24 - 42
1D19	FILTER, FUEL	24 - 42	1F16	FUEL GAUGE	40 - 6
2G18	FILTER, MAIN HYDRAULIC	70 - 11	3E9	FUEL GAUGE	90 - 30
3F22	FILTERS, AIR CONDITIONER AND HEATER AND HOUSING.....	90 - 68	1D7	FUEL INJECTION LINES.....	24 - 30
3F22	FILTERS, HEATER AND AIR CONDITIONING AND HOUSING.....	90 - 68	1D6	FUEL INJECTION NOZZLE.....	24 - 29
2B24	FINAL DRIVE (RING AND PINION)	50 - 22	1D7	FUEL INJECTION PUMP.....	24 - 30
2C1	FINAL DRIVE AXLE, GEAR AND BEARINGS (RING AND PINION)	50 - 24	1D7	FUEL INJECTION PUMP DRIVE GEAR.....	24 - 30
2B25	FINAL DRIVE BEARINGS (RING AND PINION)	50 - 23	1D7	FUEL INJECTION PUMP DRIVE GEAR.....	24 - 30
2B25	FINAL DRIVE HOUSING AND BRG. CAP (RING AND PINION)	50 - 23	1D7	FUEL INJECTION SYSTEM	24 - 30
2C2	FINAL DRIVE PINION, SHAFTS AND BEARINGS (RING AND PINION)	50 - 26	1D19	FUEL LINES,FUEL FILTER.....	24 - 42
4C7	FINGER GRATE, SPIKE-TOOTH	120 - 28	1E17	FUEL PUMP, WATER SEPARATOR, AND FUEL SENDER	30 - 4
4H7	FINS, SUPPORTS AND DECK, STRAW CHOPPER.....	121 - 64	1E17	FUEL SENDER	30 - 4
1E15	FITTINGS, FUEL TANK.....	30 - 2	1E15	FUEL TANK, SUPPORTS, AND FITTINGS	30 - 2
5D13	FITTINGS, LOWER LUBE HOSE, UNLOADING AUGER.....	130 - 64	1D21	FUEL TRANSFER PUMP	24 - 44
1E19	FITTINGS, TANK FUEL LINES	30 - 6	1D21	FUEL TRANSFER PUMP PUSH ROD	24 - 44
2I22	FITTINGS, TILT CYLINDER - CONTOUR MASTER	70 - 67			
5D15	FITTINGS, UPPER LUBE HOSE, UNLOADING AUGER.....	130 - 66	G		
2F18	FIXED REAR AXLE	60 - 36	1E7	GASKET SET, CYLINDER HEAD REMOVAL	24 - 56
2F23	FIXED REAR AXLE STEERING TIE RODS.....	60 - 41	1E8	GASKET SET,ENGINE MAJOR OVERHAUL.....	24 - 58
2F24	FIXED REAR AXLE, 4-WHEEL DRIVE, STEERING TIE RODS	60 - 42	1E7	GASKET SET,IN CHASSIS OVERHAUL	24 - 56
3H1	FIXED SPEED FEEDER HOUSE DRIVE TIGHTENER..	110 - 12	1D3	GASKET, CYLINDER HEAD	24 - 26
3D6	FLOOR MAT, CAB.....	90 - 2	1C10	GASKET, TIMING GEAR COVER.....	24 - 8
3H20	FLOOR, FEEDER HOUSE	110 - 32	1D5	GASKET,EXHAUST MANIFOLD	24 - 28
2G13	FLOW CONTROL VALVE, REEL DRIVE	70 - 6	1C14	GASKET,PLASTIC	24 - 12
4I13	FLOW CONTROL VALVE, REEL DRIVE	125 - 20	1C6	GASKET,ROCKER ARM COVER	24 - 4
1E6	FLYWHEEL HOUSING	24 - 55	1F12	GAUGE BOARD CONN. (WIRING HARNESS).....	40 - 2
1E5	FLYWHEEL RING GEAR.....	24 - 54	1F16	GAUGE, ENGINE TEMPERATURE	40 - 6
1E5	FLYWHEEL, ENGINE	24 - 54	3E9	GAUGE, ENGINE TEMPERATURE	90 - 30
3D8	FOAM, SEALS AND SOUND DEADENING, CAB	90 - 4	3G18	GEAR BOX, REVERSER.....	110 - 4
1C7	FOLLOWERS,CAMSHAFT.....	24 - 5	4F17	GEAR CASE, DUAL-RANGE CYLINDER DRIVE.....	121 - 26
3E13	FOOT PEDAL, FEEDER HOUSE REVERSER	90 - 34	5C9	GEAR CASE, VERTICAL AUGER LOWER	130 - 32
3G20	FOOT PEDAL, FEEDER HOUSE REVERSER	110 - 6	1C9	GEAR, CAMSHAFT	24 - 7
2D19	FOUR WHEEL DRIVE HYDRAULIC LINES AND HOSES, L.H.	50 - 68	1C8	GEAR, CRANKSHAFT	24 - 6
2F13	FOUR-WHEEL DRIVE	60 - 30	1C18	GEAR, ENGINE OIL PUMP.....	24 - 17
2F14	FOUR-WHEEL DRIVE	60 - 31	2C1	GEAR, FINAL DRIVE (RING AND PINION)	50 - 24
4D15	FRAME ARMS, PRECLEANER CHAFFER	120 - 60	1D7	GEAR, FUEL INJECTION PUMP DRIVE	24 - 30
3D18	FRAME, CAB AND SUPPORT	90 - 14	4G7	GEARCASE DRIVE, STRAW WALKER	121 - 40
4D21	FRAME, CHAFFER	120 - 66	5B22	GEARCASE, CLEAN GRAIN ELEVATOR	130 - 20
3H7	FRAME, FEEDER HOUSE AND FRONT SHAFT	110 - 18	4F3	GEARCASE, DRIVE SHAFT AND PRIMARY COUNTERSHAFT	121 - 12
3H11	FRAME, FEEDER HOUSE, CONTOUR MASTER	110 - 22	4E21	GEARCASE, ENGINE	121 - 6
3B5	FRAME, SEPARATOR.....	80 - 2	4F1	GEARCASE, ENGINE	121 - 10
4E1	FRAME, SIEVE	120 - 70	4E23	GEARCASE, ENGINE (SEPARATOR AND PUMP DRIVE)	121 - 8
1F19	FRONT AND REAR TURN AND TAIL LIGHTS	40 - 9	2J3	GEARCASE, ENGINE, OIL FILTER ASSEMBLY.....	70 - 72
2B11	FRONT AXLE	50 - 7	5C19	GEARCASE, HORIZONTAL UNLOADING AUGER DRIVE	130 - 42
3C11	FRONT CORNER SHEET, R H	80 - 32	4F5	GEARCASE, PRIMARY COUNTERSHAFT	121 - 14
1C13	FRONT PLATE, ENGINE.....	24 - 11	4F7	GEARCASE, PRIMARY COUNTERSHAFT	121 - 16
3G22	FRONT SHAFT WITH REVERSER (VARIABLE).....	110 - 8	4G9	GEARCASE, STRAW WALKER DRIVE	121 - 42
3C19	FRONT SHIELD ASSEMBLY, LEFT SIDE	80 - 40	2B22	GEARS, DIFFERENTIAL	50 - 20
3D1	FRONT SHIELD ASSEMBLY, RIGHT SIDE	80 - 46	2B18	GEARS, TRANSMISSION	50 - 16
			2B20	GEARS, TRANSMISSION PINION	50 - 18
			2B15	GEARSHIFT LEVER AND LINKAGE	50 - 12
			3E11	GEARSHIFT LEVER AND LINKAGE	90 - 32
			3D16	GLASS, CAB AND DOOR.....	90 - 12

ALPHABETICAL INDEX - CONTINUED

GRID		PAGE	GRID		PAGE
3F11	GLOVE BOX AND ARM REST, R.H.	90 - 56	5D20	HEADER HEIGHT CONTROL, ELECTRIC HARNESS, DIAL-A-MATIC	160 - 4
4D13	GRAIN LEAK KIT	120 - 58	2H9	HEADER LIFT CYLINDER, HYDRAULIC	70 - 28
5C7	GRAIN TANK AND CURTAINS	130 - 30	2H5	HEADER LIFT LINES AND HOSES	70 - 24
5C5	GRAIN TANK BASE	130 - 28	2I1	HEADER LIFT MODULE, SOLENOID CONTROL VALVE	70 - 44
5D5	GRAIN TANK CROSS AUGERS	130 - 54	2B6	HEADER LIFT/LOWER SWITCH	50 - 2
1H23	GRAIN TANK DUAL LEVEL MONITOR HARNESS	40 - 58	1A8	HEADERS	10 - 7
1H21	GRAIN TANK LEVEL MONITOR	40 - 56	1G7	HEATER AND AIR CONDITIONER SWITCH	40 - 22
1H21	GRAIN TANK LIGHT	40 - 56	3E8	HEATER AND AIR CONDITIONING DUCTS	90 - 29
1H20	GRAIN TANK LIGHTS	40 - 55	3F22	HEATER AND AIR CONDITIONING HOUSING AND FILTERS	90 - 68
5C3	GRAIN TANK TOP	130 - 26	3G10	HEATER SYSTEM	90 - 82
1H21	GRAIN TANK UNLOADING AUGER LIMIT SWITCH	40 - 56	1G5	HEATER WIRING HARNESS	40 - 20
2I17	GRAIN TANK UNLOADING DRIVE CYLINDER	70 - 62	3F24	HEATER/AIR CONDITIONING AND PRESSURIZING FAN	90 - 70
2I17	GRAIN TANK UNLOADING DRIVE CYLINDER MOUNTING	70 - 62	1B17	HEATER, COOLANT, ENGINE BLOCK	20 - 16
5C11	GRAIN TANK VERTICAL UNLOADING AUGER	130 - 34	3E23	HEIGHT ADJUSTER, CAB SEAT	90 - 44
5C11	GRAIN TANK VERTICAL UNLOADING AUGER HOUSING	130 - 34	3G3	HIGH PRESSURE SWITCH, AIR CONDITIONER R134A REFRIGERANT	90 - 74
1H21	GRAIN TANK WIRING HARNESS, LIGHT, LIMIT SWITCH AND LEVEL MONITOR	40 - 56	5B5	HINGED DOOR, LOWER AUGER, CLEAN GRAIN	130 - 2
4B17	GRATE AND RASP BAR CONCAVE	120 - 14	1I6	HOLDDOWN, BATTERY	40 - 66
4B21	GRATE AND RASP BAR CONCAVE	120 - 18	3F17	HOLDER, CUP	90 - 62
4B19	GRATE, BEATER CURTAIN	120 - 16	3B23	HOOD, REAR	80 - 20
4C7	GRATE, FINGER, SPIKE-TOOTH	120 - 28	5C24	HORIZONTAL UNLOADING AUGER (14- AND 17-FT.)	130 - 48
4H24	GUARD AND STRAW SPREADER MOUNTING	125 - 6	5D1	HORIZONTAL UNLOADING AUGER (17-FT.)	130 - 50
5D10	GUIDE, DRIVE BELT, UNLOADING AUGER	130 - 60	5C17	HORIZONTAL UNLOADING AUGER HUB SUPPORT	130 - 40
3H24	GUIDES, TIGHTENER AND FEEDER CONVEYOR DRIVE CHAIN	110 - 36	5C19	HORIZONTAL UNLOADING AUGER DRIVE GEARCASE	130 - 42
H					
3E5	HAND RAIL, R.H.	90 - 26	5C20	HORIZONTAL UNLOADING AUGER HOUSING (14- AND 17-FT.)	130 - 44
3D14	HANDLE, CAB DOOR	90 - 10	5C22	HORIZONTAL UNLOADING AUGER HOUSING (14- AND 17-FT.)	130 - 46
4C19	HANDLE, LATCHES AND CONVEYOR AUGER CLEANOUT DOOR	120 - 40	5C13	HORIZONTAL UNLOADING AUGER SWIVEL	130 - 36
4I5	HANDLES AND SHIELDS, CHAFF SPREADER (DUAL MOTOR)	125 - 12	2F1	HORN BUTTON	60 - 18
3D22	HANDRAIL, OPERATOR'S PIVOTING PLATFORM	90 - 18	3F18	HORN BUTTON	90 - 64
3B9	HANDRAILS, REAR LADDER LANDING	80 - 6	5D13	HOSE FITTINGS, LOWER LUBE, UNLOADING AUGER	130 - 64
3G12	HARDWARE KIT, CAB	90 - 84	5D15	HOSE FITTINGS, UPPER LUBE, UNLOADING AUGER	130 - 66
3G8	HARDWARE KIT, COMPRESSOR R134A	90 - 80	3G6	HOSE, A/C COMPRESSOR	90 - 77
1I22	HARNESS CONNECTORS, LOWER, FOR ENGINE	40 - 82	2J10	HOSE, CHARGE PRESSURE	70 - 80
1I24	HARNESS CONNECTORS, UPPER, FOR ENGINE	40 - 84	2G17	HOSE, HYDRAULIC, VARIABLE DRIVE, FEEDER HOUSE	70 - 10
1H5	HARNESS FOR REAR LIGHTS AND SHIELDS	40 - 40	1D1	HOSE, VENTILATION SYSTEM	24 - 24
1H1	HARNESS WIRING, MAIN, L.H. CENTER	40 - 36	2H13	HOSES AND LINES, ACCUMULATOR (ONE GALLON)	70 - 32
1H17	HARNESS, LOWER, ENGINE, LOWER PARTS	40 - 52	4I21	HOSES AND LINES, CHAFF SPREADER (DUAL MOTOR)	125 - 28
1H17	HARNESS, LOWER, ENGINE, 6068 LOWER PARTS	40 - 52	2D19	HOSES AND LINES, FOUR WHEEL DRIVE HYDRAU LIC, L.H.	50 - 68
1H15	HARNESS, UPPER ENGINE, UPPER PARTS	40 - 50	2H5	HOSES AND LINES, HEADER LIFT	70 - 24
1H15	HARNESS, UPPER, ENGINE, UPPER PARTS	40 - 50	2H21	HOSES AND LINES, HYDRAULIC, CYLINDER SPEED	70 - 40
1G5	HARNESS, WIRING, A/C, HEATER AND AIRSEAT	40 - 20	2D17	HOSES AND LINES, HYDRO. OIL COOLER	50 - 66
1H3	HARNESS, WIRING, MAIN, L.H. CENTER	40 - 38	2D9	HOSES AND LINES, OIL, HYDROSTATIC DRIVE, LOWER (2&4 WHEEL DRIVE)	50 - 58
1H7	HARNESS, WIRING, R.H. MAIN	40 - 42	2G20	HOSES AND LINES, REEL DRIVE, HYD., FRONT	70 - 14
1G3	HARNESS, WIRING, STEERING COLUMN	40 - 18	2G11	HOSES AND LINES, REEL DRIVE, HYDRAULIC, L.H. SIDE	70 - 4
1F16	HARVESTRAK	40 - 6	2G24	HOSES AND LINES, REEL LIFT	70 - 18
3E9	HARVESTRAK	90 - 30	2F5	HOSES AND LINES, STEERING, FRONT	60 - 22
1H13	HARVESTRAK MONITOR WIRING HARNESS	40 - 48	2F11	HOSES AND LINES, STEERING, REAR	60 - 28
1D3	HEAD, CYLINDER	24 - 26			
5E5	HEADER BELTS	170 - 4			
4F9	HEADER ELECTROMAGNETIC CLUTCH	121 - 18			
2H10	HEADER HEIGHT CONTROL VALVE	70 - 29			
5D19	HEADER HEIGHT CONTROL VALVE	160 - 3			
5D18	HEADER HEIGHT CONTROL, DIAL-A-MATIC HYDRAULIC LINE AND VALVE BLOCK	160 - 2			

ALPHABETICAL INDEX - CONTINUED

<i>GRID</i>	<i>PAGE</i>	<i>GRID</i>	<i>PAGE</i>
2115	HOSES AND LINES, UNLOADING AUGER SWING HYDRAULIC CYLINDER.....	70 - 60	
2123	HOSES AND LINES, WET CLUTCH OIL COOLER, HYDRAULIC.....	70 - 68	
1F3	HOSES AND RADIATOR	30 - 14	
3G3	HOSES, AIR CONDITIONER R134A REFRIGERANT.....	90 - 74	
2117	HOSES, GRAIN TANK UNLOADING DRIVE CYLINDER	70 - 62	
3G10	HOSES, HEATER	90 - 82	
2H7	HOSES, HYDRAULIC, CONTOUR MASTER (L.H.) (OPTIONAL).....	70 - 26	
2G22	HOSES, HYDRAULIC, REEL PUMP.....	70 - 16	
2F7	HOSES, LINES, STEERING, L.H. SIDE.....	60 - 24	
4J24	HOSES, LUBE, L. H.....	125 - 56	
4J22	HOSES, LUBE, R. H.....	125 - 54	
2D11	HOSES, OIL, HYDROSTATIC DRIVE, LOWER (FOUR WHEEL DRIVE)	50 - 60	
2D13	HOSES, OIL, HYDROSTATIC DRIVE, LOWER (TWO WHEEL DRIVE)	50 - 62	
2H19	HOSES, PRESSURE, HYDRAULIC	70 - 38	
2E23	HOSES, STEERING, UPPER	60 - 16	
2I22	HOSES, TILT CYLINDER - CONTOUR MASTER	70 - 67	
2H17	HOSES, UPPER RETURN, HYDRAULIC.....	70 - 36	
2D15	HOSES, UPPER, HYDROSTATIC DRIVE (FOUR WHEEL DRIVE)	50 - 64	
2D23	HOSES, 4-WHEEL DRIVE.....	50 - 72	
4C21	HOUSING AND SHOE GRAIN SUPPLY AUGERS	120 - 42	
4C23	HOUSING AND SHOE GRAIN SUPPLY AUGERS	120 - 44	
2B17	HOUSING COVER, TRANSMISSION AND DIFFERENTIAL	50 - 14	
3F22	HOUSING, AIR CONDITIONER/HEATER AND FILTERS.....	90 - 68	
3E7	HOUSING, CAB AIR FILTER	90 - 28	
5C11	HOUSING, CHARGE, VERTICAL UNLOADING AUGER.....	130 - 34	
1I12	HOUSING, ELECTRONIC ASSEMBLY.....	40 - 72	
2B25	HOUSING, FINAL DRIVE (RING AND PINION)	50 - 23	
1E6	HOUSING, FLYWHEEL	24 - 55	
3F22	HOUSING, HEATER/AIR CONDITIONING AND FILTERS.....	90 - 68	
5C20	HOUSING, HORIZONTAL UNLOADING AUGER (14- AND 17-FT.).....	130 - 44	
5C22	HOUSING, HORIZONTAL UNLOADING AUGER (14- AND 17-FT.).....	130 - 46	
2C8	HOUSING, HYDROSTATIC PUMP (RING AND PINION)	50 - 32	
2F22	HOUSING, SPINDLE, REAR AXLE	60 - 40	
4J7	HOUSING, TAILINGS ELEVATOR	125 - 38	
2B13	HOUSING, TRANSMISSION AND DIFFERENTIAL	50 - 9	
4J13	HOUSING, UPPER TAILINGS AUGER	125 - 44	
1C18	HOUSING,ENGINE OIL PUMP	24 - 17	
1D15	HOUSING,THERMOSTAT	24 - 38	
2G17	HYDRAULIC HOSE, VARIABLE DRIVE, FEEDER HOUSE.....	70 - 10	
2H7	HYDRAULIC HOSES, CONTOUR MASTER (L.H.) (OPTIONAL).....	70 - 26	
2G22	HYDRAULIC HOSES, REEL PUMP	70 - 16	
2H21	HYDRAULIC LINES AND HOSES, CYLINDER SPEED	70 - 40	
2H5	HYDRAULIC LINES AND HOSES, HEADER LIFT	70 - 24	
2D19	HYDRAULIC LINES AND HOSES, L.H., FOUR WH EEL DRIVE	50 - 68	
2H1	HYDRAULIC LINES AND HOSES, REEL FORE-AND-AFT, FRONT	70 - 20	
2I23	HYDRAULIC LINES AND HOSES, WET CLUTCH OIL COOLER	70 - 68	
2D21	HYDRAULIC LINES, CASE DRAIN, 4-WHEEL DRIVE	50 - 70	
2H3	HYDRAULIC LINES, REEL FORE-AND-AFT, L.H. SIDE	70 - 22	
1H15	HYDRAULIC OIL TEMP. SWITCH, UPPER PARTS	40 - 50	
2H19	HYDRAULIC PRESSURE LINES AND HOSES	70 - 38	
2I13	HYDRAULIC PUMP FEEDER HOUSE / REEL DRIVE ..	70 - 58	
2I13	HYDRAULIC PUMP REEL / FEEDER HOUSE DRIVE ..	70 - 58	
2I11	HYDRAULIC PUMP, MAIN	70 - 56	
2H15	HYDRAULIC RETURN LINES	70 - 34	
2H17	HYDRAULIC RETURN LINES, UPPER	70 - 36	
2H23	HYDRAULIC/HYDROSTATIC OIL RESERVOIR.....	70 - 42	
2G18	HYDRAULIC, MAIN, FILTER.....	70 - 11	
2B6	HYDRO LEVER ASSEMBLY.....	50 - 2	
2C13	HYDRO. DR. DISPLACEMENT CONTROL VALVE.....	50 - 38	
2D17	HYDRO. OIL COOLER LINES AND HOSES	50 - 66	
2C11	HYDROSTATIC DRIVE CHARGE PUMP (RING AND PINION)	50 - 35	
2C12	HYDROSTATIC DRIVE CHARGE PUMP (RING AND PINION)	50 - 36	
2B8	HYDROSTATIC DRIVE CONTROL CABLES	50 - 4	
2D15	HYDROSTATIC DRIVE HOSES, UPPER (FOUR WHEEL DRIVE)	50 - 64	
2B6	HYDROSTATIC DRIVE LEVER AND CABLE	50 - 2	
2E1	HYDROSTATIC DRIVE MOTOR.....	50 - 74	
2C15	HYDROSTATIC DRIVE MOTOR, FIXED (RING AND PINION)	50 - 40	
2C6	HYDROSTATIC DRIVE MOTOR, KIT (RING AND PINION)	50 - 30	
2D11	HYDROSTATIC DRIVE OIL LINES AND HOSES, LOWER (FOUR WHEEL DRIVE)	50 - 60	
2D13	HYDROSTATIC DRIVE OIL LINES AND HOSES, LOWER (TWO WHEEL DRIVE)	50 - 62	
2D9	HYDROSTATIC DRIVE OIL LINES AND HOSES, LOWER (2&4 WHEEL DRIVE)	50 - 58	
2C10	HYDROSTATIC DRIVE PISTON	50 - 34	
2E3	HYDROSTATIC DRIVE PUMP - MAIN HYDRAULIC PUMP CONNECTING HARDWARE	50 - 76	
2C7	HYDROSTATIC DRIVE PUMP COVER	50 - 31	
2C4	HYDROSTATIC DRIVE PUMP COVER (RING AND PINION)	50 - 28	
2C4	HYDROSTATIC DRIVE PUMP SHAFT (RING AND PINION)	50 - 28	
2H23	HYDROSTATIC/HYDRAULIC RESERVOIR	70 - 42	
I			
1B4	IDLER ARMS, ROTARY SCREEN DRIVE	20 - 2	
1E2	IDLER PULLEY,DRIVE BELT	24 - 51	
1E2	IDLER PULLEY,FAN BELT	24 - 51	
5B24	IDLER, DRIVE, CLEAN GRAIN ELEVATOR	130 - 22	
3H22	IDLER, FEEDER CONVEYOR	110 - 34	
2F1	IGNITION SWITCH	60 - 18	
3F18	IGNITION SWITCH	90 - 64	
1D13	IMPELLER,WATER PUMP	24 - 36	
1E7	IN CHASSIS OVERHAUL GASKET SET	24 - 56	
4C11	INDICATOR CABLE AND BRACKETS, CONCAVE	120 - 32	
4C13	INDICATOR, CONCAVE, CORN AND SMALL GRAIN ..	120 - 34	
4C9	INDICATOR, SPIKE TOOTH.....	120 - 30	
1C19	INLET OIL FILL	24 - 18	
1D14	INLET, WATER PUMP.....	24 - 37	
2C21	INNER COVER.....	50 - 46	
2B18	INPUT SHAFT, TRANSMISSION	50 - 16	

ALPHABETICAL INDEX - CONTINUED

<i>GRID</i>		<i>PAGE</i>	<i>GRID</i>		<i>PAGE</i>
1F16	INSTRUMENT PANEL, CAB POST	40 - 6	3B21	LATCH ARM, REAR LADDER LANDING	80 - 18
3E9	INSTRUMENT PANEL, CAB POST	90 - 30	3I3	LATCH HANDLE, FEED PLATE	110 - 40
3I13	INTAKE SHIELD.....	110 - 50	3D14	LATCH, CAB DOOR	90 - 10
4D3	INTAKE SHIELDS, CLEANING FAN.....	120 - 48	5C9	LATCH, GRAIN TANK CLEAN OUT CHUTE	130 - 32
4D5	INTAKE SHIELDS, CLEANING FAN.....	120 - 50	4C19	LATCHES, HANDLE AND CONVEYOR AUGER CLEANOUT DOOR	120 - 40
1E23	INTAKE TUBES AND AIR CLEANER.....	30 - 10	4D1	LEAF SCREENS, CLEANING FAN (CORN)	120 - 46
1D3	INTAKE VALVE	24 - 26	4D13	LEAK KIT, GRAIN	120 - 58
1C18	INTAKE, ENGINE OIL PUMP	24 - 17	3C19	LEFT SIDE FRONT SHIELD ASSEMBLY	80 - 40
1B10	INTERCOOLER	20 - 8	3C23	LEFT SIDE SHIELD ASSEMBLY	80 - 44
4G3	INTERMEDIATE DRIVE ADJUSTING BRACKET.....	121 - 36	3F15	LEFT-HAND ARMREST.....	90 - 60
4F23	INTERMEDIATE SHAFT MOUNTING, CYLINDER DRIVE, DUAL-RANGE.....	121 - 32	5F4	LEFT-HAND DECALS	170 - 28
4G1	INTERMEDIATE SHEAVE, CYLINDER DRIVE, DUAL-RANGE	121 - 34	1H23	LEVEL MONITOR WIRING HARNESS, DUAL.....	40 - 58
			1H23	LEVEL MONITOR, DUAL	40 - 58
			1H21	LEVEL MONITOR, GRAIN TANK	40 - 56
			2B6	LEVER ASSEMBLY, GEARSHIFT	50 - 2
			3E21	LEVER, ADJUSTER, OPERATOR'S SEAT	90 - 42
			2B15	LEVER, GEARSHIFT	50 - 12
			3E11	LEVER, GEARSHIFT	90 - 32
			2H9	LIFT CYLINDER, HEADER, HYDRAULIC	70 - 28
			1F12	LIGHT SWITCH (WIRING HARNESS).....	40 - 2
			1F11	LIGHT, CAB DOME	40 - 1
			1H21	LIGHT, GRAIN TANK.....	40 - 56
			1H23	LIGHT, UNLOADING AUGER	40 - 58
			1F24	LIGHTER, CIGARETTE	40 - 14
			1F20	LIGHTING, AUXILIARY, FIELD	40 - 10
			1F18	LIGHTS, CAB ROOF	40 - 8
			1J9	LIGHTS, FIELD	40 - 94
			1F19	LIGHTS, FRONT AND REAR TAIL.....	40 - 9
			1F19	LIGHTS, FRONT AND REAR TURN	40 - 9
			1H20	LIGHTS, ROW	40 - 55
			1J7	LIGHTS, TRANSPORT WARNING	40 - 92
			1H21	LIMIT SWITCH, GRAIN TANK UNLOADING AUGER	40 - 56
			2E5	LINE, RESERVOIR RETURN	50 - 78
			1C12	LINER, CYLINDER.....	24 - 10
			4I17	LINES AND FITTING, CHAFF SPREADER	125 - 24
			4I21	LINES AND HOSES, CHAFF SPREADER (DUAL MOTOR).....	125 - 28
			2D19	LINES AND HOSES, FOUR WHEEL DRIVE HYDRAU LIC, L.H.	50 - 68
			2H5	LINES AND HOSES, HEADER LIFT	70 - 24
			2H21	LINES AND HOSES, HYDRAULIC, CYLINDER SPEED	70 - 40
			2D17	LINES AND HOSES, HYDRO. OIL COOLER	50 - 66
			2D9	LINES AND HOSES, OIL, HYDROSTATIC DRIVE, LOWER (2&4 WHEEL DRIVE)	50 - 58
			2G20	LINES AND HOSES, REEL DRIVE, HYD., FRONT.....	70 - 14
			2G11	LINES AND HOSES, REEL DRIVE, HYDRAULIC, L.H. SIDE	70 - 4
			2G24	LINES AND HOSES, REEL LIFT	70 - 18
			2F5	LINES AND HOSES, STEERING, FRONT.....	60 - 22
			2F11	LINES AND HOSES, STEERING, REAR	60 - 28
			2I15	LINES AND HOSES, UNLOADING AUGER SWING HYDRAULIC CYLINDER	70 - 60
			2I23	LINES AND HOSES, WET CLUTCH OIL COOLER, HYDRAULIC.....	70 - 68
			2D23	LINES AND HOSES, 4-WHEEL DRIVE	50 - 72
			2E13	LINES, BRAKE, RESERVOIR, MASTER CYLINDER	60 - 6
			1D7	LINES, FUEL INJECTION	24 - 30
			2F7	LINES, HOSES, STEERING, L.H. SIDE.....	60 - 24
			4I19	LINES, HOSES, VALVE AND PUMP, CHAFF SPREADER	125 - 26
			2G22	LINES, HYDRAULIC, REEL PUMP.....	70 - 16
			2D11	LINES, OIL, HYDROSTATIC DRIVE, LOWER (FOUR WHEEL DRIVE)	50 - 60

K

L

ALPHABETICAL INDEX - CONTINUED

<i>GRID</i>		<i>PAGE</i>	<i>GRID</i>		<i>PAGE</i>
2D13	LINES, OIL, HYDROSTATIC DRIVE, LOWER (TWO WHEEL DRIVE)	50 - 62	1D5	MANIFOLD, EXHAUST	24 - 28
2H19	LINES, PRESSURE, HYDRAULIC	70 - 38	1D9	MANIFOLD, AIR INTAKE	24 - 32
2H15	LINES, RETURN, HYDRAULIC	70 - 34	2E15	MASTER BRAKE CYLINDER	60 - 8
2F9	LINES, STEERING R.H. SIDE	60 - 26	2E13	MASTER CYLINDER, RESERVOIR, BRAKE LINES	60 - 6
1E19	LINES, TANK FUEL	30 - 6	4H17	METRIC KEY STOCK KIT	121 - 74
1D11	LINES, TURBOCHARGER OIL	24 - 34	3E3	MIRROR AND LANDING, CAB, L.H.	90 - 24
2H17	LINES, UPPER RETURN, HYDRAULIC	70 - 36	3E5	MIRROR, R.H.	90 - 26
2B15	LINKAGE, GEARSHIFT	50 - 12	1H1	MODULE, LOGIC	40 - 36
3E11	LINKAGE, GEARSHIFT	90 - 32	1H3	MODULE, LOGIC	40 - 38
4G19	LINKAGE, SHEAVE, FAN DRIVE SPEED CONTROL	121 - 52	2I8	MODULE, SIX STACK SOLENOID CONTROL VALVE ASSEMBLY & MOUNTINGS	70 - 52
4G17	LINKAGE, SPEED CONTROL, FAN DRIVE	121 - 50	1H13	MONITOR WIRING HARNESS, HARVESTRAK	40 - 48
5B19	LOADING AUGER, CLEAN GRAIN	130 - 16	1H21	MONITOR, LEVEL, GRAIN TANK	40 - 56
5B21	LOADING AUGER, CLEAN GRAIN, FOLD	130 - 18	1D22	MOTOR 12 VOLT, STARTER	24 - 46
3H15	LOCKOUT ADAPTER KIT - CONTOUR MASTER (BELT PU & 4R CORN HEADS)	110 - 26	1I4	MOTOR, ADJUSTING, CONCAVE	40 - 64
4F19	LOCKOUT ARM, DUAL-RANGE	121 - 28	1H25	MOTOR, ADJUSTING, SEPARATOR FAN DRIVE	40 - 60
3H13	LOCKOUT ASSEMBLY - CONTOUR MASTER (OPTIONAL)	110 - 24	2C18	MOTOR, CAM LOBE (STEERABLE MOTOR)	50 - 43
1H1	LOGIC MODULE	40 - 36	2G15	MOTOR, CHAFF SPREADER (EATON)	70 - 8
1H3	LOGIC MODULE	40 - 38	2E1	MOTOR, HYDROSTATIC DRIVE	50 - 74
1G8	LOW SHAFT SPEED SENSORS AND BRACKETS	40 - 23	2C15	MOTOR, HYDROSTATIC DRIVE, FIXED (RING AND PINION)	50 - 40
5B5	LOWER AUGER, CLEAN GRAIN	130 - 2	1J1	MOTOR, REEL SPEED, AND BRACKET	40 - 86
5B7	LOWER ELEVATOR, CLEAN GRAIN	130 - 4	4I9	MOUNTING SUPPORT, CHAFF SPREADER	125 - 16
5B9	LOWER ELEVATOR, CLEAN GRAIN	130 - 6	2I17	MOUNTING, GRAIN TANK UNLOADING DRIVE CYLINDER	70 - 62
1H17	LOWER HARNESS FOR ENGINE LOWER PARTS	40 - 52	2H23	MOUNTING, HYDRAULIC/HYDRO OIL RESERVOIR	70 - 42
1H17	LOWER HARNESS FOR 6068 ENGINE LOWER PARTS	40 - 52	2H13	MOUNTING, ONE GALLON ACCUMULATOR	70 - 32
2D11	LOWER HYDROSTATIC DRIVE OIL LINES AND HOSES (FOUR WHEEL DRIVE)	50 - 60	4H24	MOUNTING, STRAW SPREADER AND GUARD	125 - 6
2D13	LOWER HYDROSTATIC DRIVE OIL LINES AND HOSES (TWO WHEEL DRIVE)	50 - 62	2I19	MOUNTING, UNLOADING AUGER SWING CYLINDER	70 - 64
2D9	LOWER HYDROSTATIC DRIVE OIL LINES AND HOSES (2&4 WHEEL DRIVE)	50 - 58	2I8	MOUNTINGS, SIX STACK SOLENOID CONTROL VALVE	70 - 52
4J3	LOWER TAILINGS AUGER	125 - 34	2I6	MOUNTINGS, SOLENOID CONTROL VALVE MODULE ASSEMBLY	70 - 50
5E6	LOWER TAILINGS AUGER BELT	170 - 5	1B13	MOUNTS, ENGINE, AND REAR SUPPORT	20 - 12
4J10	LOWER TAILINGS AUGER CHAIN TIGHTENER	125 - 41	3C3	MUD AND FAN DRIVE SHIELDS (L-H SIDE)	80 - 24
4J11	LOWER TAILINGS AUGER DRIVE TIGHTENER	125 - 42	3C3	MUD SHIELDS (L-H SIDE)	80 - 24
4J3	LOWER TAILINGS AUGER SHAFT	125 - 34	2D22	MUD SHIELDS (POWERED REAR WHEELS)	50 - 71
4J3	LOWER TAILINGS AUGER SHAFT TIGHTENER	125 - 34	3C17	MUD SHIELDS (R.H. SIDE)	80 - 38
4J5	LOWER TAILINGS AUGER TROUGH	125 - 36	3C1	MUD SHIELDS, AUGER DRIVE (R-H SIDE)	80 - 22
5D13	LUBE HOSE FITTINGS, LOWER, UNLOADING AUGER	130 - 64	1F1	MUFFLER AND EXHAUST PIPE	30 - 12
5D15	LUBE HOSE FITTINGS, UPPER, UNLOADING AUGER	130 - 66	N		
4J24	LUBE HOSES L. H.	125 - 56	3F11	NEUTRAL START SWITCH	90 - 56
4J22	LUBE HOSES R. H.	125 - 54	1D6	NOZZLE, FUEL INJECTION	24 - 29
2B18	LUBE PUMP, TRANSMISSION	50 - 16	O		
1C5	LUBRICANT, CYLINDER LINER PACKING	24 - 3	3G6	O-RINGS, A/C COMPRESSOR HOSE	90 - 77
1C5	LUBRICANT, ENGINE VALVE STEM	24 - 3	2J1	OIL COOLER AND AIR CONDITIONING CONDENSER SER	70 - 70
M			2D17	OIL COOLER LINES AND HOSES, HYDRO.	50 - 66
1C14	MAIN BEARING CAP	24 - 12	1D17	OIL COOLER, ENGINE	24 - 40
1C8	MAIN BEARINGS	24 - 6	1B19	OIL DRAIN, ENGINE CRANKCASE	20 - 18
3B5	MAIN FRAME, SEPARATOR	80 - 2	1C19	OIL FILL INLET	24 - 18
2G18	MAIN HYDRAULIC FILTER	70 - 11	1C19	OIL FILLER OPENING COVER	24 - 18
2E3	MAIN HYDRAULIC PUMP - HYDROSTATIC DRIVE PUMP CONNECTING HARDWARE	50 - 76	1C23	OIL FILTER, ENGINE	24 - 22
5D19	MAIN VALVE BLOCK SOLENOID DIAL-A-MATIC HEADER HEIGHT CONTROL	160 - 3	2J3	OIL FILTER, ENGINE GEARCASE, ASSEMBLY	70 - 72
1G17	MAIN WIRING HARNESS, L.H. FRONT (S.N. -680100)	40 - 32	2D11	OIL HOSES, HYDROSTATIC DRIVE, LOWER (FOUR WHEEL DRIVE)	50 - 60
1H3	MAIN WIRING HARNESS, L.H. CENTER	40 - 38	2D13	OIL HOSES, HYDROSTATIC DRIVE, LOWER (TWO WHEEL DRIVE)	50 - 62
2C23	MANIFOLD AND PACKINGS	50 - 48	2D9	OIL LINES AND HOSES, HYDROSTATIC DRIVE, LOWER (2&4 WHEEL DRIVE)	50 - 58
3G5	MANIFOLD, A/C COMPRESSOR	90 - 76			

ALPHABETICAL INDEX - CONTINUED

GRID		PAGE	GRID		PAGE
2D11	OIL LINES HYDROSTATIC DRIVE, LOWER (FOUR WHEEL DRIVE)	50 - 60	3H11	PLATES, CLOSURE, FEEDER HOUSE - CONTOUR MASTER	110 - 22
2D13	OIL LINES HYDROSTATIC DRIVE, LOWER (TWO WHEEL DRIVE)	50 - 62	3H9	PLATES, WEAR, FEEDER HOUSE - CONTOUR MASTER	110 - 20
1D11	OIL LINES, TURBOCHARGER	24 - 34	3B17	PLATFORM AND STEP, ENGINE ACCESS	80 - 14
1C10	OIL PRESSURE RELIEF VALVE	24 - 8	3D24	PLATFORM LADDER AND LATCH, OPERATOR'S	90 - 20
1H17	OIL PRESSURE SENDING UNIT, LOWER PARTS	40 - 52	3B13	PLATFORM, ENGINE	80 - 10
1H17	OIL PRESSURE SENDING UNIT, 6068 LOWER PARTS.....	40 - 52	3B15	PLATFORM, ENGINE	80 - 12
3G5	OIL, A/C COMPRESSOR	90 - 76	2G19	PLATFORM, 200 SERIES CUTTING, CONVERSION PARTS	70 - 12
1C4	OIL, ENGINE	24 - 2	1C6	PLUG,ENGINE OIL FILL	24 - 4
2H13	ONE GALLON ACCUMULATOR AND MOUNTING.....	70 - 32	1H19	PLUGGED AIR FILTER WARNING SWITCH.....	40 - 54
2H11	ONE-HALF GALLON ACCUMULATOR (SINGLE)	70 - 30	1H19	PLUGGED ENGINE AIR FILTER WARNING SWITCH ..	40 - 54
1F24	OPERATOR'S ARMREST PANEL	40 - 14	1H9	PLUGGING SENSING SWITCH, STRAW WALKER	40 - 44
3D18	OPERATOR'S CAB FRAME AND SUPPORT	90 - 14	1F16	POST INSTRUMENT PANEL, CAB	40 - 6
1F14	OPERATOR'S OVERHEAD CONSOLE PANEL.....	40 - 4	3E9	POST INSTRUMENT PANEL, CAB	90 - 30
3D22	OPERATOR'S PIVOTING PLATFORM AND HANDRAI LS.....	90 - 18	4D11	PRE-CLEANER CHAFFER FRAME	120 - 56
3D22	OPERATOR'S PIVOTING PLATFORM LANDING	90 - 18	4D9	PRE-CLEANING CHAFFER.....	120 - 54
3D24	OPERATOR'S PLATFORM LADDER AND LATCH	90 - 20	4D15	PRECLEANER CHAFFER FRAME ARMS	120 - 60
3E17	OPERATOR'S SEAT AND BACKREST	90 - 38	2G9	PRESSURE GAUGE, ACCUMULATOR	70 - 2
3E23	OPERATOR'S SEAT HEIGHT ADJUSTER	90 - 44	2J10	PRESSURE HOSE, CHARGE.....	70 - 80
3E19	OPERATOR'S SEAT SEATBELT	90 - 40	2J5	PRESSURE REGULATOR, ENGINE GEARCASE.....	70 - 74
3E15	OPERATORS SEAT SHROUDS	90 - 36	2H19	PRESSURE, HYDRAULIC, LINES AND HOSES	70 - 38
3E15	OPTIONAL SEAT.....	90 - 36	3F24	PRESSURIZING FAN AND AIR CONDITIONING/ HEATER FAN	90 - 70
1J5	OUTLET, CONVENIENCE	40 - 90	4F5	PRIMARY COUNTERSHAFT GEARCASE	121 - 14
1J15	OUTLET, CONVENIENCE.....	40 - 100	4F7	PRIMARY COUNTERSHAFT GEARCASE	121 - 16
1J4	OUTLET, ELECTRICAL SERVICE	40 - 89	4F3	PRIMARY COUNTERSHAFT, GEARCASE AND DRIVE SHAFT	121 - 12
1F12	OVERHEAD CONSOLE (WIRING HARNESS).....	40 - 2	4F11	PRIMARY COUNTERSHAFT, SUPPORTS AND VARI- ABLE SHEAVE, REG. AND EXTENDED RANGE.....	121 - 20
1F14	OVERHEAD CONSOLE PANEL	40 - 4	3G7	PULLEY, A/C COMPRESSOR R134A	90 - 79
P			4G5	PULLEY, SECONDARY COUNTERSHAFT DRIVE	121 - 38
1C5	PACKING, LUBRICANT, CYLINDER LINER	24 - 3	1D14	PULLEY, WATER PUMP.....	24 - 37
2C23	PACKINGS AND MANIFOLD	50 - 48	1E1	PULLEY,CRANKSHAFT.....	24 - 50
4J13	PADDLES, UPPER TAILINGS AUGER	125 - 44	4F1	PUMP DRIVE AND SEPARATOR, GEARCASE	121 - 10
1C21	PAN, ENGINE OIL	24 - 20	4E21	PUMP DRIVE SHAFT AND SEPARATOR DRIVE WET-CLUTCH, GEARCASE	121 - 6
4E3	PAN, SHAKER	120 - 72	4G23	PUMP MOUNTING SHEAVE, REEL / BELT PICKUP DRIVE	121 - 56
4I7	PAN, WINGS AND SEALS, CHAFF SPREADER (DUAL MOTOR).....	125 - 14	4I23	PUMP, CHAFF SPREADER	125 - 30
1F24	PANEL, ARMREST	40 - 14	1C18	PUMP, ENGINE OIL	24 - 17
1F16	PANEL, CAB POST INSTRUMENT	40 - 6	1E17	PUMP, FUEL	30 - 4
3E9	PANEL, CAB POST INSTRUMENT	90 - 30	1D7	PUMP, FUEL INJECTION	24 - 30
1F14	PANEL, OVERHEAD CONSOLE.....	40 - 4	1D21	PUMP, FUEL TRANSFER	24 - 44
3D6	PANELS, CAB	90 - 2	2C11	PUMP, HYDROSTATIC DRIVE CHARGE (RING AND PINION)	50 - 35
3D12	PANELS, CAB INTERIOR TRIM	90 - 8	2C12	PUMP, HYDROSTATIC DRIVE CHARGE (RING AND PINION)	50 - 36
1H1	PARK BRAKE SWITCH.....	40 - 36	2I11	PUMP, MAIN HYDRAULIC	70 - 56
2E9	PARKING BRAKE PEDAL AND SEAL	60 - 2	2G22	PUMP, REEL, HYDRAULIC HOSES.....	70 - 16
2E9	PEDAL AND SEAL, PARKING BRAKE	60 - 2	2E21	PUMP, STEERING.....	60 - 14
3E13	PEDAL, REVERSER FOOT CONTROL, FEEDER HOUSE.....	90 - 34	2I13	PUMP,FEEDER HOUSE / REEL DRIVE	70 - 58
3G20	PEDAL, REVERSER FOOT CONTROL, FEEDER HOUSE.....	110 - 6	2I13	PUMP,REEL / FEEDER HOUSE DRIVE	70 - 58
2E11	PEDALS, BRAKE AND CYLINDERS, MASTER.....	60 - 4	1D13	PUMP,WATER	24 - 36
2C2	PINION, FINAL DRIVE (RING AND PINION)	50 - 26	1D21	PUSH ROD,FUEL TRANSFER PUMP	24 - 44
1C12	PISTON RINGS	24 - 10	1C7	PUSH RODS	24 - 5
2D1	PISTON, CAM, AND CARRIER (STEERABLE MOTOR).....	50 - 50	Q		
1C12	PISTON, ENGINE	24 - 10	2C24	QUILL, BEARING AND COVER (STEERABLE MOTOR).....	50 - 49
2C10	PISTON, HYDROSTATIC DRIVE	50 - 34			
2D3	PIVOTS, CAPS AND YOKE (STEERABLE MOTOR)	50 - 52			
1C14	PLASTIC GASKET	24 - 12			
5D3	PLATE, CROSS AUGER BEARING, L.H.....	130 - 52			

ALPHABETICAL INDEX - CONTINUED

GRID	R	PAGE	GRID	PAGE
1F12	R.H. CORNERPOST CONN. (WIRING HARNESS).....	40 - 2	4G24	REEL/BELT PICKUP CHARGE PUMP MOUNTING AND SHEAVE 121 - 57
1H7	R.H. MAIN WIRING HARNESS.....	40 - 42	1110	RELAY AND CIRCUIT BREAKER, THROTTLE CONTROL PANEL..... 40 - 70
3C7	R.H. SERVICE ACCESS SHIELD.....	80 - 28	118	RELAYS, ENGINE CIRCUIT BREAKER.....
2F9	R.H. SIDE STEERING LINES.....	60 - 26	1C10	RELIEF VALVE ENGINE OIL PRESSURE.....
1F3	RADIATOR.....	30 - 14	2H24	RELIEF VALVE, SOLENOID CONTROL - CONTOUR MASTER 70 - 43
1F3	RADIATOR AND HOSES.....	30 - 14	2H24	RELIEF VALVE, SOLENOID CONTROL VALVE UNLOAD MODULE 70 - 43
3B9	RADIATOR DOOR.....	80 - 6	2E5	RESERVOIR RETURN LINE.....
3B11	RADIATOR SHELL AND SEALS.....	80 - 8	2E13	RESERVOIR, BRAKE LINES, MASTER CYLINDER.....
1B16	RADIATOR WITH OIL COOLER, A/C CONDENSER AND AIR INTER COOLER.....	20 - 15	2H23	RESERVOIR, HYDRAULIC/HYDROSTATIC.....
1F12	RADIO (WIRING HARNESS).....	40 - 2	3I7	RETURN FLOOR, FEEDER HOUSE.....
1G15	RADIO, SPEAKERS AND ANTENNA.....	40 - 30	2H15	RETURN LINES, HYDRAULIC.....
4B17	RASP BAR CONCAVE AND GRATE.....	120 - 14	2H17	RETURN LINES, UPPER, HYDRAULIC.....
4B21	RASP BAR CONCAVE AND GRATE.....	120 - 18	3E13	REVERSER FOOT CONTROL, FEEDER HOUSE.....
4B15	RASP BAR THRESHING CYLINDER.....	120 - 12	3G20	REVERSER FOOT CONTROL, FEEDER HOUSE.....
3D10	REAR AND SIDE CAB SEALS.....	90 - 6	3G18	REVERSER GEAR BOX.....
2F22	REAR AXLE SPINDLE HOUSING.....	60 - 40	3I15	REVERSER).....
2F20	REAR AXLE SPINDLES.....	60 - 38	3I19	REVERSER).....
2F17	REAR AXLE SUPPORT.....	60 - 34	3D1	RIGHT SIDE FRONT SHIELD ASSEMBLY.....
2F15	REAR AXLE TRASH SHIELD.....	60 - 32	3C21	RIGHT SIDE SHIELD ASSEMBLY.....
2F19	REAR AXLE, ADJUSTABLE.....	60 - 37	2B10	RIMS, DRIVE WHEELS.....
2F18	REAR AXLE, FIXED.....	60 - 36	1E5	RING GEAR, FLYWHEEL.....
3C13	REAR CORNER SHEET, L H.....	80 - 34	1C12	RINGS, PISTON.....
3B23	REAR HOOD.....	80 - 20	1C6	ROCKER ARM COVER.....
3B19	REAR LADDER.....	80 - 16	1C6	ROCKER ARM COVER GASKET.....
3B19	REAR LADDER AND LANDING.....	80 - 16	1C7	ROCKER ARM SHAFT.....
3B19	REAR LADDER LANDING.....	80 - 16	1C7	ROCKER ARMS.....
3B9	REAR LADDER LANDING HANDRAILS.....	80 - 6	1C12	ROD, CONNECTING.....
3B21	REAR LADDER LANDING LATCH ARM.....	80 - 18	1C7	RODS, PUSH.....
1J18	REAR LAMP ASSEMBLY - L.H. SIDE.....	40 - 103	3D20	ROOF, CAB AND SUPPORTS.....
1J17	REAR LAMP ASSEMBLY - R.H. SIDE.....	40 - 102	1F18	ROOF, CAB LIGHTS.....
4J18	REAR LEFT SIDE TAILINGS SHIELD.....	125 - 50	5E4	ROTARY SCREEN BELTS.....
1H5	REAR LIGHT HARNESS AND SHIELDS.....	40 - 40	1B6	ROTARY SCREEN DOOR.....
2F11	REAR STEERING LINES AND HOSES.....	60 - 28	1B4	ROTARY SCREEN DRIVE.....
1B13	REAR SUPPORT AND ENGINE MOUNTS.....	20 - 12	1B4	ROTARY SCREEN DRIVE AND IDLER ARMS.....
4J18	REAR TAILINGS SHIELD, LEFT SIDE.....	125 - 50	1B4	ROTARY SCREEN DRIVE IDLER ARMS.....
5F6	REAR WHEEL DECALS.....	170 - 30	4H11	ROTOR, SHEAVE AND STRAW CHOPPER.....
2G5	REAR WHEELS (4-WHEEL DRIVE/CAM LODE MOTOR).....	60 - 48	1H20	ROW LIGHTS (L.H. AND R.H.).....
2G3	REAR WHEELS AND WHEEL WEIGHTS.....	60 - 46		S
3G3	RECEIVER - DRYER, AIR CONDITIONER R134A REFRIGERANT.....	90 - 74	5E7	SAFETY DECALS AND LOCATIONS.....
5E5	REEL BELTS.....	170 - 4	5E9	SAFETY DECALS AND LOCATIONS.....
2G13	REEL DRIVE FLOW CONTROL VALVE.....	70 - 6	5E11	SAFETY DECALS AND LOCATIONS.....
4I13	REEL DRIVE FLOW CONTROL VALVE.....	125 - 20	5E13	SAFETY DECALS AND LOCATIONS.....
4I15	REEL DRIVE FLOW CONTROL VALVE.....	125 - 22	5E15	SAFETY DECALS AND LOCATIONS.....
4I16	REEL DRIVE FLOW CONTROL VALVE, ADJUSTING SCREW KIT.....	125 - 23	5E17	SAFETY DECALS AND LOCATIONS - FRENCH.....
2G11	REEL DRIVE HYD. LINES AND HOSES, L.H. SIDE.....	70 - 4	5E19	SAFETY DECALS AND LOCATIONS - FRENCH.....
2G20	REEL DRIVE HYD. LINES AND HOSES, FRONT.....	70 - 14	5E21	SAFETY DECALS AND LOCATIONS - FRENCH.....
2H1	REEL FORE-AND-AFT HYDRAULIC LINES AND HOSES, FRONT.....	70 - 20	5E23	SAFETY DECALS AND LOCATIONS - FRENCH.....
2H3	REEL FORE-AND-AFT HYDRAULIC LINES, L.H. SIDE.....	70 - 22	5F1	SAFETY DECALS AND LOCATIONS - FRENCH.....
2I3	REEL LIFT AND CYLINDER SPEED, SOLENOID CONTROL VALVE.....	70 - 46	3F11	SAFETY START SWITCH.....
2G24	REEL LIFT LINES AND HOSES.....	70 - 18	3H5	SAFETY STOP, CONTOUR MASTER FEEDER HOUSE.....
2B6	REEL LIFT/LOWER OR FEEDERHOUSE SPEED CONTROL SWITCH.....	50 - 2	3H3	SAFETY STOP, DRIVE SHIELDS, FEEDER HOUSE.....
2G22	REEL PUMP HOSES, HYDRAULIC.....	70 - 16	5D11	SAMPLING TROUGH, GRAIN TANK.....
1J1	REEL SPEED MOTOR AND BRACKET.....	40 - 86	1B4	SCREEN DRIVE, ROTARY.....
			1B6	SCREEN, ROTARY, DOOR.....
			4D1	SCREENS, CLEANING FAN LEAF (CORN).....
			3G5	SEAL, A/C COMPRESSOR.....
			3G9	SEAL, A/C COMPRESSOR KIT.....
			3H20	SEAL, FEEDER HOUSE.....
			1E6	SEAL, CRANKSHAFT REAR OIL.....
			3B11	SEALS AND RADIATOR SHELL.....

ALPHABETICAL INDEX - CONTINUED

GRID		PAGE	GRID		PAGE
3D10	SEALS, CAB SIDE AND REAR	90 - 6	2C19	SHAFT, OUTER COVER, BEARING AND SEALS CAM LOBE MOTOR (1200 CC)	50 - 44
4D1	SEALS, CLEANING FAN LEAF SCREEN (CORN)	120 - 46	1C7	SHAFT, ROCKER ARM	24 - 5
3H9	SEALS, FEEDER HOUSE - CONTOUR MASTER.....	110 - 20	2B20	SHAFT, TRANSMISSION PINION.....	50 - 18
3D8	SEALS, FOAM AND SOUND DEADENING, CAB	90 - 4	5B13	SHAFT, UPPER CLEAN GRAIN ELEVATOR.....	130 - 10
4I7	SEALS, PAN AND WINGS, CHAFF SPREADER (DUAL MOTOR).....	125 - 14	2B22	SHAFTS, DIFFERENTIAL	50 - 20
2C19	SEALS, SHAFT, OUTER COVER AND BEARING CAM LOBE MOTOR (1200 CC)	50 - 44	2B12	SHAFTS, DRIVE	50 - 8
3E21	SEAT ADJUST FORE-AND-AFT	90 - 42	2C2	SHAFTS, FINAL DRIVE (RING AND PINION)	50 - 26
3E17	SEAT AND BACKREST, OPERATOR'S	90 - 38	4E3	SHAKER PAN	120 - 72
3E23	SEAT HEIGHT ADJUSTER	90 - 44	4B13	SHEAR BAR, CYLINDER	120 - 10
3E15	SEAT SHROUDS AND OPTIONAL SEAT	90 - 36	4G19	SHEAVE LINKAGE, FAN DRIVE SPEED CONTROL	121 - 52
3F1	SEAT, AIR SUSPENSION	90 - 46	1I1	SHEAVE, BELT AND ALTERNATOR BOSCH.....	40 - 61
3F3	SEAT, AIR SUSPENSION KITS	90 - 48	5B22	SHEAVE, CLEAN GRAIN ELEVATOR GEARCASE	130 - 20
3F5	SEAT, AIR SUSPENSION KITS	90 - 50	4G23	SHEAVE, MOUNTING, PUMP, REEL / BELT PICKUP DRIVE	121 - 56
3F7	SEAT, AIR SUSPENSION KITS	90 - 52	3G16	SHEAVE, MOUNTINGS, FRONT VARIABLE DRIVE	110 - 2
3F9	SEAT, AIR SUSPENSION KITS	90 - 54	4H11	SHEAVE, ROTOR AND STRAW CHOPPER	121 - 68
1G5	SEAT, AIR, WIRING HARNESS	40 - 20	5B13	SHEAVE, UPPER CLEAN GRAIN ELEVATOR	130 - 10
3E19	SEAT, OPERATOR,S SEATBELT.....	90 - 40	4G13	SHEAVES, BEATER DRIVE AND TIGHTENER.....	121 - 46
3E20	SEAT, SEATBELT - TRAINING.....	90 - 41	5E3	SHEAVES, ENGINE DRIVE	170 - 2
3E19	SEATBELT, OPERATOR'S SEAT	90 - 40	3I5	SHEAVES, FEEDER HOUSE, UPPER COUNTERSHAFT, VARIABLE DRIVE	110 - 42
3E20	SEATBELT, TRAINING SEAT	90 - 41	4H5	SHEILDS, STRAW CHOPPER DRIVE	121 - 62
4G5	SECONDARY COUNTERSHAFT DRIVE	121 - 38	3H9	SHELL, FEEDER HOUSE-CONTOUR MASTER	110 - 20
4G5	SECONDARY COUNTERSHAFT DRIVE PULLEY.....	121 - 38	3B11	SHELL, RADIATOR AND SEALS	80 - 8
1E17	SENDER, FUEL	30 - 4	3C19	SHIELD ASSEMBLY, FRONT, LEFT SIDE	80 - 40
1H17	SENDING SWITCH, ENGINE TEMPERATURE LOWER PARTS.....	40 - 52	3D1	SHIELD ASSEMBLY, FRONT, RIGHT SIDE	80 - 46
1H17	SENDING SWITCH, ENGINE TEMPERATURE 6068, LOWER PARTS.....	40 - 52	3C23	SHIELD ASSEMBLY, LEFT SIDE	80 - 44
1H9	SENSING SWITCH, STRAW WALKER PLUGGING	40 - 44	3C21	SHIELD ASSEMBLY, RIGHT SIDE.....	80 - 42
1J11	SENSOR, SPEED, FDR HSE BACKSHAFT.....	40 - 96	3C5	SHIELD, DRIVE, R.H. REAR.....	80 - 26
1H11	SENSOR, UNLOADING AUGER.....	40 - 46	3C3	SHIELD, FAN DRIVE (L-H SIDE)	80 - 24
1E11	SENSOR,ENGINE TACHOMETER	24 - 61	3I13	SHIELD, INTAKE	110 - 50
1G8	SENSORS AND BRACKETS, LOW SHAFT SPEED	40 - 23	4J18	SHIELD, REAR TAILINGS LEFT SIDE.....	125 - 50
4F1	SEPARATOR AND PUMP DRIVE, GEARCASE	121 - 10	3C9	SHIELD, SERVICE ACCESS, L.H.	80 - 30
3B5	SEPARATOR CROSS BRACES	80 - 2	3C7	SHIELD, SERVICE ACCESS, R.H.	80 - 28
4E11	SEPARATOR CURTAIN	120 - 80	4J20	SHIELD, TAILINGS UPPER REAR.....	125 - 52
4E13	SEPARATOR CURTAIN (SPIKE-TOOTH CYLINDER).....	120 - 82	2F15	SHIELD, TRASH, REAR AXLE	60 - 32
4E19	SEPARATOR DRIVE GEAR, UNLOADING DRIVE AND STRAW CHOPPER, ENGINE GEARCASE.....	121 - 4	4J16	SHIELD, UPPER TAILINGS AUGER DRIVE	125 - 48
4E17	SEPARATOR DRIVE GEAR,UNLOADING DRIVE AND STRAW CHOPPER- ENGINE GEARCASE	121 - 2	4I5	SHIELDS AND HANDLES, CHAFF SPREADER (DUAL MOTOR).....	125 - 12
4E21	SEPARATOR DRIVE WET-CLUTCH AND PUMP DRIVE SHAFT, GEARCASE.....	121 - 6	1H5	SHIELDS FOR REAR LIGHT HARNESS	40 - 40
4G15	SEPARATOR FAN DRIVE.....	121 - 48	4D7	SHIELDS, CLEANING FAN INTAKE.....	120 - 52
1H25	SEPARATOR FAN DRIVE ADJUSTING MOTOR	40 - 60	3H5	SHIELDS, CONTOUR MASTER FEEDER HOUSE	110 - 16
3B5	SEPARATOR FRAME	80 - 2	3C3	SHIELDS, MUD (L-H SIDE).....	80 - 24
4B7	SEPARATOR/FEEDER HOUSE SEAL, STONE TRAP AND DOOR.....	120 - 4	2D22	SHIELDS, MUD (POWERED REAR WHEELS)	50 - 71
1E17	SEPARATOR, WATER	30 - 4	3C17	SHIELDS, MUD (R.H. SIDE).....	80 - 38
1I16	SERVICE KIT, ELECTRICAL CONNECTORS	40 - 76	3C1	SHIELDS, MUD, AUGER DRIVE (R-H SIDE)	80 - 22
1I18	SERVICE KIT, ELECTRICAL CONNECTORS	40 - 78	5C1	SHIELDS, UPPER CLEAN GRAIN ELEVATOR.....	130 - 24
1J4	SERVICE OUTLET, ELECTRICAL	40 - 89	2B17	SHIFTER CAM, TRANSMISSION AND DIFFERENTIAL	50 - 14
2C8	SERVO, HYDROSTATIC PUMP (RING AND PINION)	50 - 32	2B13	SHIFTER FORKS, TRANSMISSION AND DIFFERENTIAL HOUSING	50 - 9
4C15	SHAFT, BEATER AND DRIVE BELT	120 - 36	1I7	SHOE AREA SWITCH ASSEMBLY	40 - 67
3I19	SHAFT, DRIVE, FRONT, SHEAVE AND MOUNTINGS (FIXED SPEED WITH REVERSER)	110 - 56	4C20	SHOE GRAIN SUPPLY AUGER	120 - 41
3I15	SHAFT, DRIVE, UPPER, SHEAVE AND MOUNTING (FIXED SPEED WITH REVERSER).....	110 - 52	4C21	SHOE GRAIN SUPPLY AUGERS AND HOUSING	120 - 42
3G22	SHAFT, FRONT WITH REVERSER (VARIABLE)	110 - 8	4C23	SHOE GRAIN SUPPLY AUGERS AND HOUSING	120 - 44
3H7	SHAFT, FRONT, FEEDER HOUSEAND FRAME.....	110 - 18	1J13	SHOE, CLEANING, LAMP INSTALLATION	40 - 98
2C4	SHAFT, HYDROSTATIC PUMP (RING AND PINION)	50 - 28	2E17	SHOES, BRAKE.....	60 - 10
4J3	SHAFT, LOWER TAILINGS AUGER.....	125 - 34	1C16	SHORT BLOCK,ENGINE	24 - 14
			3D10	SIDE AND REAR CAB SEALS	90 - 6
			1H20	SIDE LIGHTS	40 - 55
			4G11	SIEVE AND CHAFFER DRIVE, CONVEYOR AUGERS AND STRAW WALKER.....	121 - 44
			4D23	SIEVE ELEMENT	120 - 68

ALPHABETICAL INDEX - CONTINUED

GRID		PAGE	GRID		PAGE
4E1	SIEVE FRAME	120 - 70	2F14	STEERING CYLINDER KIT	60 - 31
2H11	SINGLE ACCUMULATOR, ONE-HALF GALLON	70 - 30	2F5	STEERING HOSES AND LINES, FRONT	60 - 22
218	SIX STACK SOLENOID CONTROL VALVE MODULE ASSEMBLY & MOUNTINGS	70 - 52	2F7	STEERING HOSES AND LINES, L.H. SIDE	60 - 24
2E19	SLAVE CYLINDER, BRAKE	60 - 12	2E23	STEERING HOSES, UPPER	60 - 16
3H16	SLIP CLUTCH, FEEDER HOUSE	110 - 28	2F11	STEERING LINES AND HOSES, REAR	60 - 28
4F15	SLOW SPEED CYLINDER DRIVE	121 - 24	2F9	STEERING LINES, R.H. SIDE	60 - 26
213	SOLENOID CONTROL VALVE BI-DIRECTIONAL MODULE, REEL LIFT AND CYLINDER SPEED	70 - 46	2E21	STEERING PUMP	60 - 14
2110	SOLENOID CONTROL VALVE BRACKETS	70 - 54	2F3	STEERING PUMP - STEERING SHAFT	60 - 20
215	SOLENOID CONTROL VALVE FOR AUGER SWING	70 - 49	3F20	STEERING PUMP - STEERING SHAFT	90 - 66
216	SOLENOID CONTROL VALVE MODULE ASSEMBLY AND MOUNTINGS	70 - 50	2G1	STEERING TIE RODS, ADJUSTABLE REAR AXLE	60 - 44
218	SOLENOID CONTROL VALVE MODULE, 6 STACK ASSEMBLY & MOUNTINGS	70 - 52	2F23	STEERING TIE RODS, FIXED REAR AXLE	60 - 41
211	SOLENOID CONTROL VALVE UNBALANCED LOAD MODULE (HEADER LIFT MODULE)	70 - 44	2F24	STEERING TIE RODS, FIXED REAR AXLE, 4-WHEEL DRIVE	60 - 42
2H24	SOLENOID CONTROL VALVE UNLOAD MODULE, RELIEF VALVE	70 - 43	2F3	STEERING WHEEL ADJUSTER PEDAL	60 - 20
2J7	SOLENOID CONTROL VALVE, WET CLUTCH (PRESSURE REGULATOR)	70 - 76	3F20	STEERING WHEEL ADJUSTER PEDAL	90 - 66
2D8	SOLENOID, CONTROL VALVE (FOUR-WHEEL DR.)	50 - 57	4B7	STONE TRAP, DOOR AND FEEDER HOUSE/ SEPARATOR SEAL	120 - 4
1E21	SOLENOID, ETHER START	30 - 8	5E5	STRAW CHOPPER BELTS	170 - 4
5D19	SOLENOID, MAIN VALVE BLOCK DIAL-A-MATIC HEADER HEIGHT CONTROL	160 - 3	4H7	STRAW CHOPPER DECK, SUPPORTS AND FINS	121 - 64
2H10	SOLENOID, VALVE BLOCK DIAL-A-MATIC HEADER HEIGHT CONTROL	70 - 29	4H22	STRAW CHOPPER DOOR	125 - 4
1D22	SOLENOID, STARTER	24 - 46	4H5	STRAW CHOPPER DRIVE SHIELDS	121 - 62
3D8	SOUND DEADENING, SEALS AND FOAM, CAB	90 - 4	4H15	STRAW CHOPPER DRIVE SPROCKETS	121 - 72
2B12	SPACERS, AXLE (RING AND PINION FINAL DRIVE)	50 - 8	4H1	STRAW CHOPPER DRIVES (FRONT)	121 - 58
1G15	SPEAKERS, ANTENNA AND RADIO	40 - 30	4H3	STRAW CHOPPER DRIVES (REAR)	121 - 60
4G17	SPEED CONTROL LINKAGE, FAN DRIVE	121 - 50	4H13	STRAW CHOPPER HOUSING AND KNIFEBANK (-655100)	121 - 70
4G19	SPEED CONTROL, FAN DRIVE SHEAVE LINKAGE	121 - 52	1H5	STRAW CHOPPER SENSOR BRACKET	40 - 40
1G21	SPEED SENSOR, TRANSMISSION	40 - 34	4H11	STRAW CHOPPER, ROTOR AND SHEAVE	121 - 68
1G23	SPEED SENSOR, TRANSMISSION	40 - 35A	4H9	STRAW CHOPPER, TRI ROTOR	121 - 66
1J1	SPEED, REEL, MOTOR AND BRACKET	40 - 86	4E17	STRAW CHOPPER, UNLOADING DRIVE AND SEPARATOR DRIVE GEAR- ENGINE GEARCASE ..	121 - 2
4C5	SPIKE TOOTH CONCAVE	120 - 26	4E19	STRAW CHOPPER, UNLOADING DRIVE AND SEPARATOR DRIVE GEAR, ENGINE GEARCASE ..	121 - 4
4C9	SPIKE TOOTH INDICATOR	120 - 30	4I1	STRAW SPREADER	125 - 8
4C1	SPIKE TOOTH THRESHING CYLINDER (OPTIONAL)	120 - 22	4E9	STRAW SPREADER DRIVE, SHIELD AND STRAW WALKER CRANKS	120 - 78
4C3	SPIKE-TOOTH CONCAVE	120 - 24	4H24	STRAW SPREADER MOUNTING AND GUARD	125 - 6
4C7	SPIKE-TOOTH FINGER GRATE	120 - 28	1H9	STRAW WALKER (PLUGGING) SENSING SWITCH	40 - 44
2F22	SPINDLE HOUSING, REAR AXLE	60 - 40	4E7	STRAW WALKER BEARING KIT	120 - 76
2F20	SPINDLES, REAR AXLE	60 - 38	4E9	STRAW WALKER CRANKS, STRAW SPREADER DRIVE AND SHIELD	120 - 78
4J1	SPREADER CURTAIN	125 - 32	4G7	STRAW WALKER DRIVE GEARCASE	121 - 40
2G15	SPREADER MOTOR, CHAFF (EATON)	70 - 8	4G9	STRAW WALKER DRIVE GEARCASE	121 - 42
4I1	SPREADER, STRAW	125 - 8	4G11	STRAW WALKER, CONVEYOR AUGERS, SIEVE AND CHAFFER DRIVE	121 - 44
5E5	SPREADER, STRAW, BELTS	170 - 4	4E5	STRAW WALKERS	120 - 74
5B13	SPROCKET, UPPER CLEAN GRAIN ELEVATOR	130 - 10	1J3	SUPPLEMENTARY TERMINALS AND CONNECTORS	40 - 88
4H15	SPROCKETS, DRIVE, STRAW CHOPPER	121 - 72	5C15	SUPPORT AND BRACES, AUGER	130 - 38
4J9	SPROCKETS, TAILINGS ELEVATOR CONVEYOR	125 - 40	2E20	SUPPORT BRACKET, BRAKE CABLE	60 - 13
1D22	STARTER MOTOR 12 VOLT	24 - 46	2F17	SUPPORT, REAR AXLE	60 - 34
1D22	STARTER SOLENOID	24 - 46	1B13	SUPPORT, REAR, AND ENGINE MOUNTS	20 - 12
1E10	STARTING AID CONNECTORS	24 - 60	1E3	SUPPORT, FAN DRIVE	24 - 52
1E21	STARTING AID, COLD WEATHER	30 - 8	3D20	SUPPORTS AND CAB ROOF	90 - 16
2F1	STARTING SWITCH	60 - 18	4F11	SUPPORTS AND VARIABLE SHEAVE, PRIMARY COUNTERSHAFT, REG. AND EXTENDED RANGE ..	121 - 20
3F18	STARTING SWITCH	90 - 64	1E15	SUPPORTS, FUEL TANK	30 - 2
2D5	STEERING ARM, CAM LOBE MOTOR (STEERABLE MOTOR)	50 - 54	3I5	SUPPORTS, UPPER COUNTERSHAFT, FEEDER HOUSE, VARIABLE DRIVE	110 - 42
2F3	STEERING COLUMN (LOWER)	60 - 20	2C8	SWASHPLATE, HYDROSTATIC PUMP (RING AND PINION)	50 - 32
3F20	STEERING COLUMN (LOWER)	90 - 66	1I7	SWITCH ASSEMBLY, SHOE AREA	40 - 67
2F1	STEERING COLUMN (UPPER)	60 - 18	1G7	SWITCH, AIR CONDITIONER	40 - 22
3F18	STEERING COLUMN (UPPER)	90 - 64	1F14	SWITCH, AUX FIELD LIGHTS, OPTIONAL	40 - 4
1G3	STEERING COLUMN WIRING HARNESS	40 - 18	1G7	SWITCH, HEATER	40 - 22
2F13	STEERING CYLINDER (4-WHEEL DRIVE)	60 - 30	1H22	SWITCH, HORIZONTAL UNLOADING AUGER	40 - 57
			5C18	SWITCH, HORIZONTAL UNLOADING AUGER	130 - 41
			1H1	SWITCH, PARK BRAKE	40 - 36

ALPHABETICAL INDEX - CONTINUED

GRID		PAGE	GRID		PAGE			
1H9	SWITCH, SENSING, STRAW WALKER PLUGGING.....	40 - 44	2B17	TRANSMISSION AND DIFFERENTIAL HOUSING COVER AND SHIFTER CAM.....	50 - 14			
1H19	SWITCH, WARNING, PLUGGED AIR FILTER.....	40 - 54	2B13	TRANSMISSION AND DIFFERENTIAL HOUSING, SHIFTER FORKS.....	50 - 9			
1F24	SWITCHES, ARMREST ROCKER.....	40 - 14	2B18	TRANSMISSION BEARINGS.....	50 - 16			
5C15	SWIVEL SUPPORT AND BRACES, AUGER.....	130 - 38	2B18	TRANSMISSION GEARS.....	50 - 16			
5C15	SWIVEL, AUGER SUPPORT.....	130 - 38	2B15	TRANSMISSION GEARSHIFT LEVER AND LINKAGE.....	50 - 12			
5C13	SWIVEL, HORIZONTAL UNLOADING AUGER.....	130 - 36	3E11	TRANSMISSION GEARSHIFT LEVER AND LINKAGE.....	90 - 32			
1D7	SYSTEM, FUEL INJECTION.....	24 - 30	2B18	TRANSMISSION INPUT SHAFT.....	50 - 16			
T								
1F16	TACHOMETER.....	40 - 6	2B18	TRANSMISSION LUBE PUMP.....	50 - 16			
3E9	TACHOMETER.....	90 - 30	2B20	TRANSMISSION PINION GEARS.....	50 - 18			
1F19	TAIL LIGHTS.....	40 - 9	2B20	TRANSMISSION PINION SHAFT.....	50 - 18			
4J9	TAILINGS ELEVATOR CONVEYOR BEARINGS.....	125 - 40	2B20	TRANSMISSION PINION SHAFT BEARINGS.....	50 - 18			
4J9	TAILINGS ELEVATOR CONVEYOR CHAIN.....	125 - 40	1G21	TRANSMISSION SPEED SENSOR.....	40 - 34			
4J9	TAILINGS ELEVATOR CONVEYOR SPROCKETS.....	125 - 40	1G23	TRANSMISSION SPEED SENSOR.....	40 - 35A			
4J7	TAILINGS ELEVATOR HOUSING.....	125 - 38	1B15	TRANSMISSION-ENGINE COUPLING WITH HUB.....	20 - 14			
4J18	TAILINGS SHIELD, REAR LEFT SIDE.....	125 - 50	1J7	TRANSPORT WARNING LIGHTS.....	40 - 92			
4J20	TAILINGS SHIELD, UPPER REAR.....	125 - 52	4B7	TRAP, STONE.....	120 - 4			
1E19	TANK FUEL LINES AND FITTINGS.....	30 - 6	2F15	TRASH SHIELD, REAR AXLE.....	60 - 32			
1F5	TANK, COOLANT RECOVERY.....	30 - 16	4H9	TRI ROTOR STRAW CHOPPER.....	121 - 66			
1E15	TANK, FUEL.....	30 - 2	3D12	TRIM PANELS, CAB INTERIOR.....	90 - 8			
5D11	TANK, GRAIN, SAMPLING TROUGH.....	130 - 62	1D1	TUBE, ENGINE VENTILATING.....	24 - 24			
1D6	TEE FITTING, INJECTION NOZZLE.....	24 - 29	1C20	TUBE,ENGINE OIL DIPSTICK.....	24 - 19			
1F16	TEMPERATURE GAUGE, ENGINE.....	40 - 6	1D15	TUBE,THERMOSTAT COVER.....	24 - 38			
3E9	TEMPERATURE GAUGE, ENGINE.....	90 - 30	1D10	TURBOCHARGER.....	24 - 33			
1E3	TENSIONER,FAN DRIVE BELT.....	24 - 52	1D10	TURBOCHARGER HARDWARE KIT.....	24 - 33			
1I20	TERMINAL AND WIRING KIT.....	40 - 80	1D11	TURBOCHARGER OIL LINES.....	24 - 34			
1I14	TERMINALS, ELECTRICAL, WEATHERPACK.....	40 - 74	1F19	TURN LIGHTS.....	40 - 9			
1J3	TERMINALS, SUPPLEMENTARY, AND CONNECTORS.....	40 - 88	2F1	TURN SIGNAL SWITCH.....	60 - 18			
1D15	THERMOSTAT.....	24 - 38	3F18	TURN SIGNAL SWITCH.....	90 - 64			
1D15	THERMOSTAT COVER.....	24 - 38	U					
1D15	THERMOSTAT COVER TUBE.....	24 - 38	2H24	UNLOAD MODULE, RELIEF VALVE, SOLENOID CONTROL VALVE.....	70 - 43			
1D15	THERMOSTAT HOUSING.....	24 - 38	5E5	UNLOADING AUGER BELTS.....	170 - 4			
4B5	THRESHING CYLINDER COVER.....	120 - 2	5D8	UNLOADING AUGER COUNTERSHAFT DRIVE.....	130 - 58			
4B15	THRESHING CYLINDER, RASP BAR.....	120 - 12	5D10	UNLOADING AUGER DRIVE BELT GUIDE.....	130 - 60			
4C1	THRESHING CYLINDER, SPIKE TOOTH (OPTIONAL).....	120 - 22	5C20	UNLOADING AUGER HOUSING, HORIZONTAL (14- AND 17-FT.).....	130 - 44			
1I10	THROTTLE CONTROL PANEL, RELAY AND CIRCUIT BREAKER.....	40 - 70	5C22	UNLOADING AUGER HOUSING, HORIZONTAL (14- AND 17-FT.).....	130 - 46			
2G1	TIE RODS, STEERING, ADJUSTABLE REAR AXLE.....	60 - 44	1H23	UNLOADING AUGER LIGHT AND HARNESS.....	40 - 58			
2F23	TIE RODS, STEERING, FIXED REAR AXLE.....	60 - 41	1H23	UNLOADING AUGER LIGHT CLAMPS.....	40 - 58			
2F24	TIE RODS, STEERING, 4-WHEEL DRIVE FIXED REAR AXLE.....	60 - 42	1H21	UNLOADING AUGER LIMIT SWITCH.....	40 - 56			
4G13	TIGHTENER AND BEATER DRIVE SHEAVES.....	121 - 46	5D13	UNLOADING AUGER LOWER LUBE HOSE FITTINGS.....	130 - 64			
4F21	TIGHTENER, CYLINDER DRIVE, DUAL-RANGE.....	121 - 30	1H11	UNLOADING AUGER SENSOR AND WIRING HARNESS.....	40 - 46			
3G24	TIGHTENER, DRIVE, VARIABLE SPEED.....	110 - 10	2I19	UNLOADING AUGER SWING CYLINDER.....	70 - 64			
4G21	TIGHTENER, FEEDER HOUSE DRIVE.....	121 - 54	2I19	UNLOADING AUGER SWING CYLINDER MOUNTING.....	70 - 64			
3H24	TIGHTENER, GUIDES AND FEEDER CONVEYOR DRIVE CHAIN.....	110 - 36	2I15	UNLOADING AUGER SWING HYDRAULIC CYLINDER LINES AND HOSES.....	70 - 60			
4J3	TIGHTENER, LOWER TAILINGS AUGER.....	125 - 34	5C13	UNLOADING AUGER SWIVEL, HORIZONTAL.....	130 - 36			
4J10	TIGHTENER, LOWER TAILINGS AUGER CHAIN.....	125 - 41	5D15	UNLOADING AUGER UPPER LUBE HOSE FITTINGS.....	130 - 66			
4J11	TIGHTENER, LOWER TAILINGS AUGER DRIVE.....	125 - 42	5C17	UNLOADING AUGER, HORIZONTAL, HUB SUPPORT.....	130 - 40			
3H11	TILT BEAM, FEEDER HOUSE, CONTOUR MASTER.....	110 - 22	2I17	UNLOADING DRIVE CYLINDER, GRAIN TANK.....	70 - 62			
2I21	TILT CYLINDER - CONTOUR MASTER.....	70 - 66	4E17	UNLOADING DRIVE, STRAW CHOPPER AND SEPARATOR DRIVE GEAR- ENGINE GEARCASE ..	121 - 2			
2I22	TILT CYLINDER HOSES AND FITTINGS - CONTOUR MASTER.....	70 - 67	4E19	UNLOADING DRIVE, STRAW CHOPPER AND SEPARATOR DRIVE GEAR, ENGINE GEARCASE ..	121 - 4			
1C10	TIMING GEAR COVER.....	24 - 8	5E6	UNLOADING SYSTEM BELTS.....	170 - 5			
3E1	TOOL BOX.....	90 - 22	5B11	UPPER CLEAN GRAIN ELEVATOR.....	130 - 8			
5F8	TOP DECALS.....	170 - 32						
5C3	TOP, TANK, GRAIN.....	130 - 26						
3E20	TRAINING SEAT SEATBELT.....	90 - 41						
5B15	TRANSITION AUGER HOUSING.....	130 - 12						
2B14	TRANSMISSION (655340-).....	50 - 10						

ALPHABETICAL INDEX - CONTINUED

GRID		PAGE	GRID		PAGE
5B13	UPPER CLEAN GRAIN ELEVATOR SHAFT, SPROCKET AND SHEAVE.....	130 - 10	3I5	VARIABLE DRIVE, FEEDER HOUSE, UPPER COUNTERSHAFT SUPPORTS.....	110 - 42
5C1	UPPER CLEAN GRAIN ELEVATOR SHIELDS	130 - 24	1D1	VENTILATING SYSTEM, ENGINE	24 - 24
5B15	UPPER CLEAN GRAIN LOADING AUGER HOUSING ..	130 - 12	5C9	VERTICAL AUGER LOWER GEAR CASE.....	130 - 32
5B17	UPPER CLEAN GRAIN LOADING AUGER HOUSING ..	130 - 14	1I2	VOLTAGE REGULATOR, ALTERNATOR (95 AMP) BOSCH.....	40 - 62
1H15	UPPER HARNESS FOR ENGINE UPPER PARTS	40 - 50	W		
1H15	UPPER HARNESS FOR ENGINE, UPPER PARTS	40 - 50	5E3	WALKER BELTS	170 - 2
2H17	UPPER HYDRAULIC RETURN LINES	70 - 36	4E5	WALKERS, STRAW	120 - 74
2D15	UPPER HYDROSTATIC DRIVE HOSES (FOUR WHEEL DRIVE)	50 - 64	1J7	WARNING LIGHTS, TRANSPORT	40 - 92
4J20	UPPER REAR TAILINGS SHIELD	125 - 52	1H19	WARNING SWITCH, AIR FILTER.....	40 - 54
3H18	UPPER SHAFT, FEEDER HOUSE	110 - 30	1G13	WASHER, WINDSHIELD	40 - 28
2E23	UPPER STEERING HOSES	60 - 16	1D13	WATER PUMP	24 - 36
5E6	UPPER TAILINGS AUGER BELT	170 - 5	1D13	WATER PUMP IMPELLER	24 - 36
4J16	UPPER TAILINGS AUGER DRIVE	125 - 48	1D14	WATER PUMP INLET	24 - 37
4J13	UPPER TAILINGS AUGER HOUSING AND PADDLE ASSEMBLY	125 - 44	1D14	WATER PUMP PULLEY	24 - 37
4J13	UPPER TAILINGS AUGER PADDLE ASSEMBLY.....	125 - 44	1D13	WATER PUMP REPAIR KIT	24 - 36
4J16	UPPER TAILINGS AUGER, DRIVE AND SHIELD.....	125 - 48	1E17	WATER SEPARATOR	30 - 4
4J15	UPPER TAILINGS DRIVE CHAIN TIGHTENER.....	125 - 46	3H9	WEAR PLATES, FEEDER HOUSE - CONTOUR MASTER	110 - 20
3B7	UPRIGHT KIT, NO. 1.....	80 - 4	1I14	WEATHERPACK CONNECTORS	40 - 74
3B8	UPRIGHT KIT, NO. 5.....	80 - 5	1I14	WEATHERPACK TERMINALS	40 - 74
V			2J7	WET CLUTCH CONTROL SOLENOID VALVE (PRESSURE REGULATOR)	70 - 76
2C17	VALVE BLOCK.....	50 - 42	2I23	WET CLUTCH OIL COOLER HYDRAULIC LINES AND HOSES	70 - 68
5D18	VALVE BLOCK AND HYDRAULIC LINE, DIAL-A-MATIC HEADER HEIGHT CONTROL	160 - 2	2G3	WHEEL WEIGHTS AND REAR WHEELS	60 - 46
2H10	VALVE BLOCK SOLENOID AUTOMATIC HEADER HEIGHT CONTROL	70 - 29	2F1	WHEEL, STEERING	60 - 18
2H10	VALVE BLOCK SOLENOID DIAL-A-MATIC HEADER HEIGHT CONTROL	70 - 29	3F18	WHEEL, STEERING	90 - 64
2I8	VALVE MODULE, SIX STACK SOLENOID CONTROL ASSEMBLY & MOUNTINGS.....	70 - 52	2B10	WHEELS, DRIVE	50 - 6
2H24	VALVE SOLENOID CONTROL UNLOAD MODULE	70 - 43	2G5	WHEELS, REAR (4-WHEEL DRIVE/CAM LODE MOTOR).....	60 - 48
1C5	VALVE STEM LUBRICANT, ENGINE	24 - 3	2G3	WHEELS, REAR, AND WHEEL WEIGHTS	60 - 46
2D7	VALVE, CONTROL	50 - 56	1G13	WINDSHIELD WASHER	40 - 28
2D8	VALVE, CONTROL, SOLENOID(FOUR-WHEEL DR.)....	50 - 57	1G9	WINDSHIELD WIPER (LONG)	40 - 24
1C10	VALVE, ENGINE OIL PRESSURE	24 - 8	4I7	WINGS, SEALS AND PAN, CHAFF SPREADER (DUAL MOTOR).....	125 - 14
1D3	VALVE, EXHAUST.....	24 - 26	1G11	WIPER (SHORT)	40 - 26
2C13	VALVE, HYDRO. DR. DISPLACEMENT CONTOL.....	50 - 38	1F12	WIPER MOTOR (WIRING HARNESS).....	40 - 2
1D3	VALVE, INTAKE	24 - 26	1F12	WIPER SWITCH (WIRING HARNESS).....	40 - 2
2C17	VALVE, MANIFOLD	50 - 42	1G11	WIPER, WINDSHIELD (SHORT).....	40 - 26
2G13	VALVE, REEL DRIVE FLOW CONTROL	70 - 6	1G9	WIPER, WINDSHIELD (LONG).....	40 - 24
2H24	VALVE, RELIEF, SOLENOID CONTROL VALVE UNLOAD MODULE	70 - 43	1I20	WIRING AND TERMINAL KIT	40 - 80
2I6	VALVE, SOLENOID CONTROL MODULE ASSEMBLY AND MOUNTINGS	70 - 50	1I20	WIRING CRIMPING TOOL	40 - 80
2H24	VALVE, SOLENOID CONTROL RELIEF - CONTOUR MASTER	70 - 43	1H1	WIRING HARNESS ADAPTER (CONTOUR MASTER)..	40 - 36
2I3	VALVE, SOLENOID CONTROL, CYLINDER SPEED AND REEL LIFT BI-DIRECTIONAL MODULE	70 - 46	1H3	WIRING HARNESS ADAPTER (CONTOUR MASTER)..	40 - 38
2I1	VALVE, SOLENOID CONTROL, HEADER LIFT MODULE	70 - 44	1G5	WIRING HARNESS, A/C, HEATER AND AIR SEAT	40 - 20
1C14	VALVE,ENGINE OIL BY-PASS	24 - 12	2G9	WIRING HARNESS, ACCUMULATOR PRESSURE GAUGE.....	70 - 2
1C21	VALVE,ENGINE OIL DRAIN	24 - 20	1F22	WIRING HARNESS, ARMREST	40 - 12
2G17	VARIABLE DRIVE HYDRAULIC HOSE, FEEDER HOUSE.....	70 - 10	1H23	WIRING HARNESS, DUAL LEVEL MONITOR.....	40 - 58
3I5	VARIABLE DRIVE, FEEDER HOUSE, UPPER COUNTERSHAFT	110 - 42	1H21	WIRING HARNESS, GRAIN TANK	40 - 56
3G22	VARIABLE FRONT SHAFT WITH REVERSER	110 - 8	1H13	WIRING HARNESS, HARVESTRAK MONITOR.....	40 - 48
4F11	VARIABLE SHEAVE AND SUPPORTS, PRIMARY COUNTERSHAFT, REG. AND EXTENDED RANGE..	121 - 20	1G21	WIRING HARNESS, L.H. MAIN, FRONT	40 - 34
3G24	VARIABLE SPEED DRIVE TIGHTENER	110 - 10	1G17	WIRING HARNESS, L.H. MAIN, FRONT (S.N. -680100)	40 - 32
			1H1	WIRING HARNESS, MAIN, L.H. CENTER	40 - 36
			1H3	WIRING HARNESS, MAIN, L.H. CENTER	40 - 38
			1H7	WIRING HARNESS, R.H. MAIN	40 - 42
			1G3	WIRING HARNESS, STEERING COLUMN	40 - 18
			1H11	WIRING HARNESS, UNLOADING AUGER	40 - 46
			1H23	WIRING HARNESS, UNLOADING AUGER LIGHT	40 - 58

ALPHABETICAL INDEX - CONTINUED

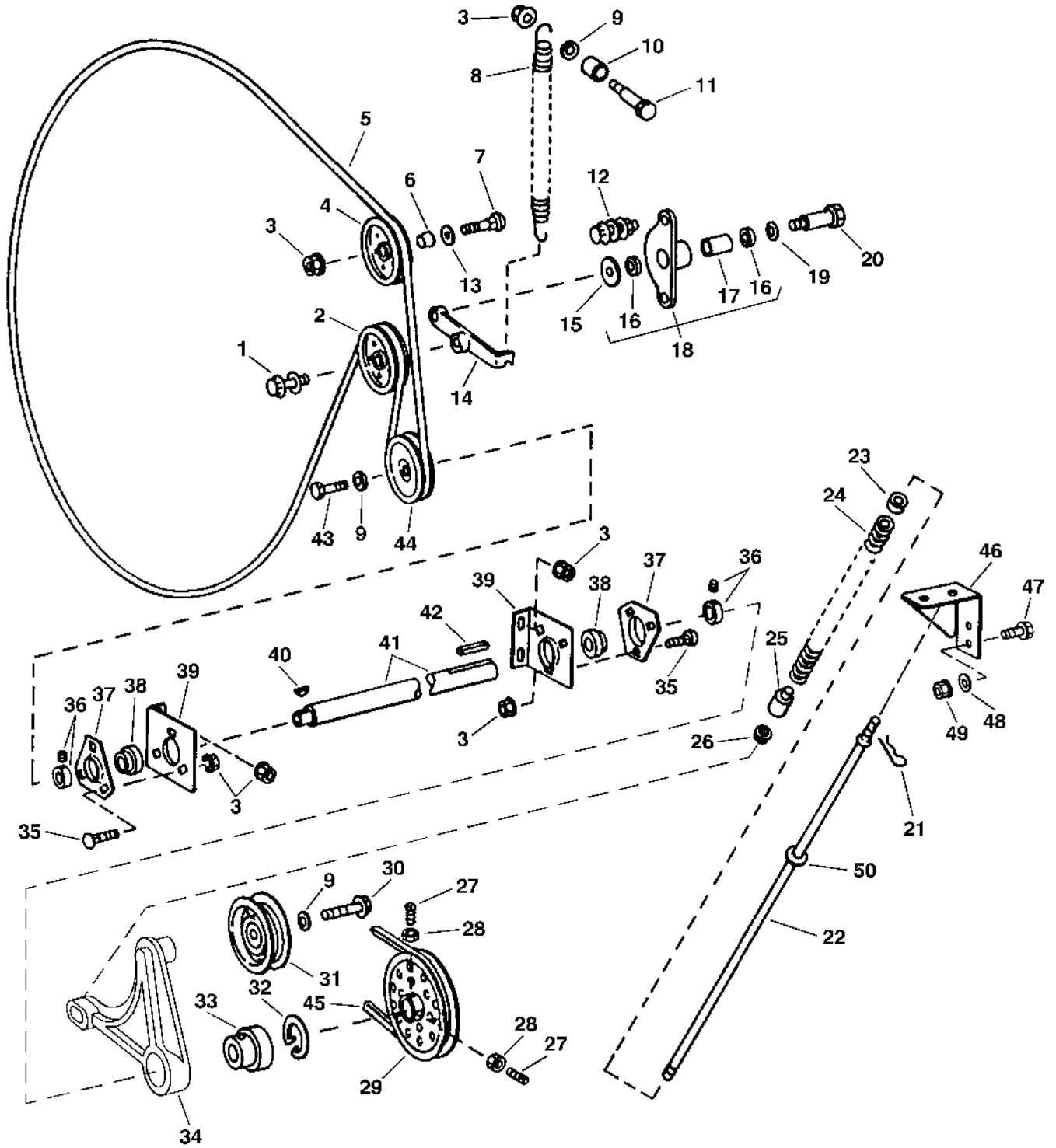
<i>GRID</i>		<i>PAGE</i>	<i>GRID</i>	<i>PAGE</i>
1G23	WIRING HARNESS,L H MAIN, L H FRONT	40 - 35A		
1I20	WIRING STRIPPING TOOL.....	40 - 80		
1J3	WIRING, SUPPLEMENTARY TERMINALS AND CONNECTORS	40 - 88		
Y				
2D3	YOKE, PIVOTS, AND CAPS (STEERABLE MOTOR)	50 - 52		

MEMORANDA

1B4

ENGINE FAN, INTERCOOLER AND SCREENS

ROTARY SCREEN DRIVE AND IDLER ARMS
HP6791 -UN-05SEP97



HP6791

1B5

ENGINE FAN, INTERCOOLER AND SCREENS

ROTARY SCREEN DRIVE AND IDLER ARMS - CONTINUED

KEY	PART NO.	PART NAME	QTY	SERIAL NO.	REMARKS
1	19M7867	SCREW	1	M8 X 25	
	24M7207	WASHER	1	8.400 X 24 X 2 MM	
2	AH140119	SHEAVE	1		
3	14M7298	FLANGE NUT	10	M8	
4	AH135035	SHEAVE	1		
5	H145158	BELT	1		
6	SPACER	1	IS A PART OF AH135035	
7	03M7224	BOLT	1	M8 X 65	
8	H146577	EXTENSION SPRING	1		
9	24M7207	WASHER	3	8.400 X 24 X 2 MM	
10	28H1720	BUSHING	1	0.423" X 0.675" X 27/32"	
11	H140715	BOLT	1		
12	19M7867	SCREW	2	M8 X 25	
	24H1296	WASHER	2	11/32" X 1-3/8" X 0.134"	
	14M7298	FLANGE NUT	2	M8	
13	24H1850	WASHER	1	17/32" X 1-1/4" X 0.180"	
14	H146064	PITMAN ARM	1		
15	24H1342	WASHER	1	17/32" X 1-1/4" X 0.036"	
16	AH10888	SEAL	2		
17	R36119	BUSHING	1		
18	AH140170	SUPPORT	1		
19	24H1341	WASHER	1	17/32" X 15/16" X 0.060"	
20	M111701	BOLT	1		
21	J16931	SPRING LOCKING PIN	1		
22	H131949	ROD	1		
23	H123918	SPACER	1		
24	H131948	SPRING	1		
25	H134214	GUIDE	1		
26	14M7296	FLANGE NUT	1	M10	
27	A50744	BOLT	2		
28	14M7273	NUT	2	M8	
29	AH115639	SHEAVE	1		
30	19M7868	SCREW	1	M8 X 30	
31	AH140497	SHEAVE	1		
32	R55408	WEAR RING	1		
33	AH140495	BALL BEARING	1		
34	H146586	ARM	1		
35	19M7865	SCREW	6	M8 X 16	
36	AZ10044	ECCENTRIC LOCKING COLLAR	2		
37	H103264	PRESSED FLANGED HOUSING	2		
38	JD39102	BALL BEARING	2		
39	H123652	PRESSED FLANGED HOUSING	2		
40	26M7002	SHAFT KEY	1	WOODRUFF	
41	H134528	COUNTERSHAFT	1		
42	49M4100	SHAFT KEY	1	6 X 25 MM	
43	19M7865	SCREW	1	M8 X 16	
44	H118719	HALF SHEAVE	2		
45	H146636	BELT	1		
46	H162138	BRACKET	1		
47	19M7865	SCREW	2	M8 X 16	
48	24M7207	WASHER	2	8.400 X 24 X 2 MM	
49	14M7298	FLANGE NUT	2	M8	
50	H158845	WASHER	1		

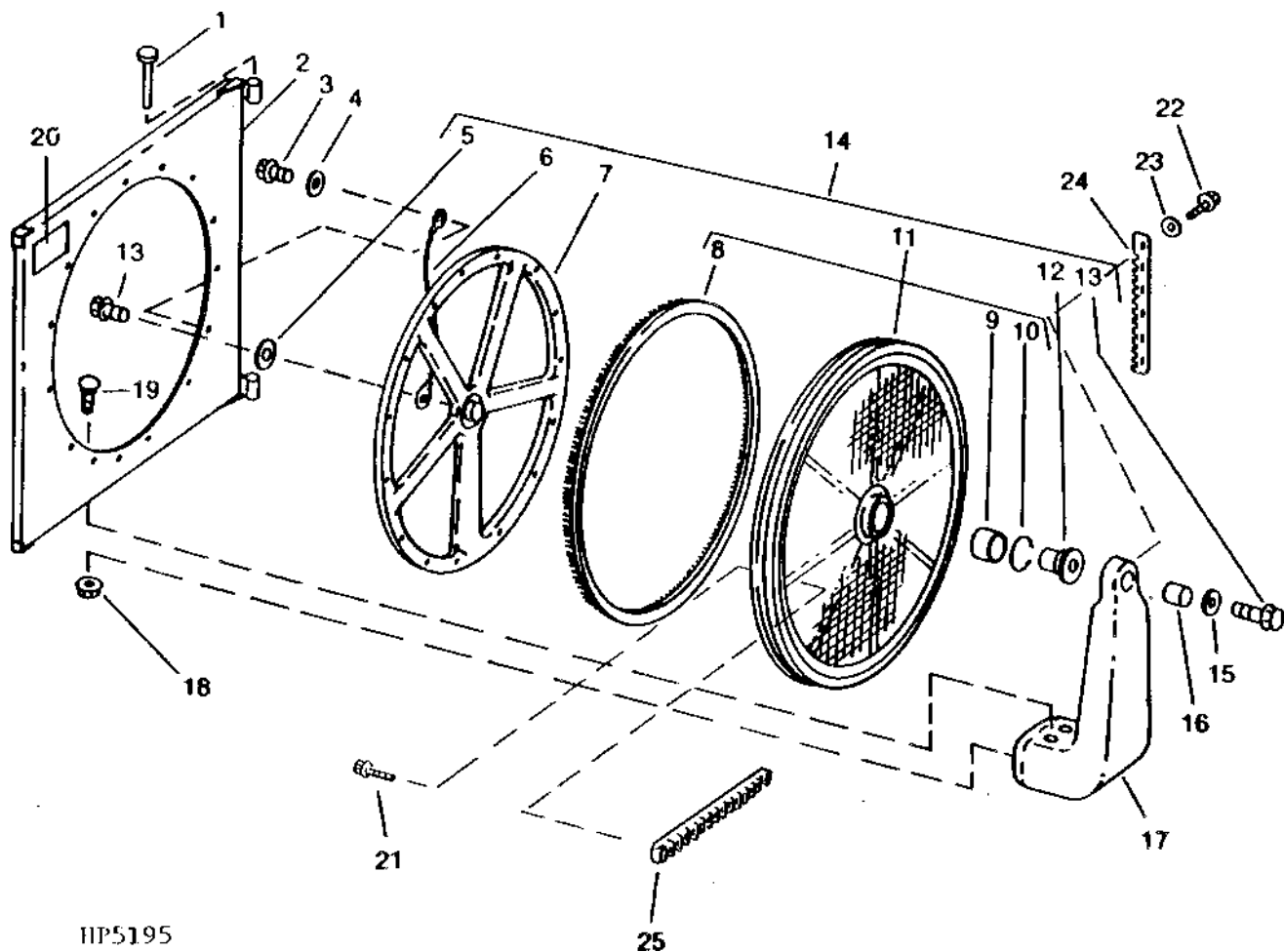
THIS PARTS LISTING IS CONTINUED

1B6

ENGINE FAN, INTERCOOLER AND SCREENS

ROTARY SCREEN DOOR AND SCREEN

HP5195 -UN-01JAN94



HP5195

25

1B7

ENGINE FAN, INTERCOOLER AND SCREENS

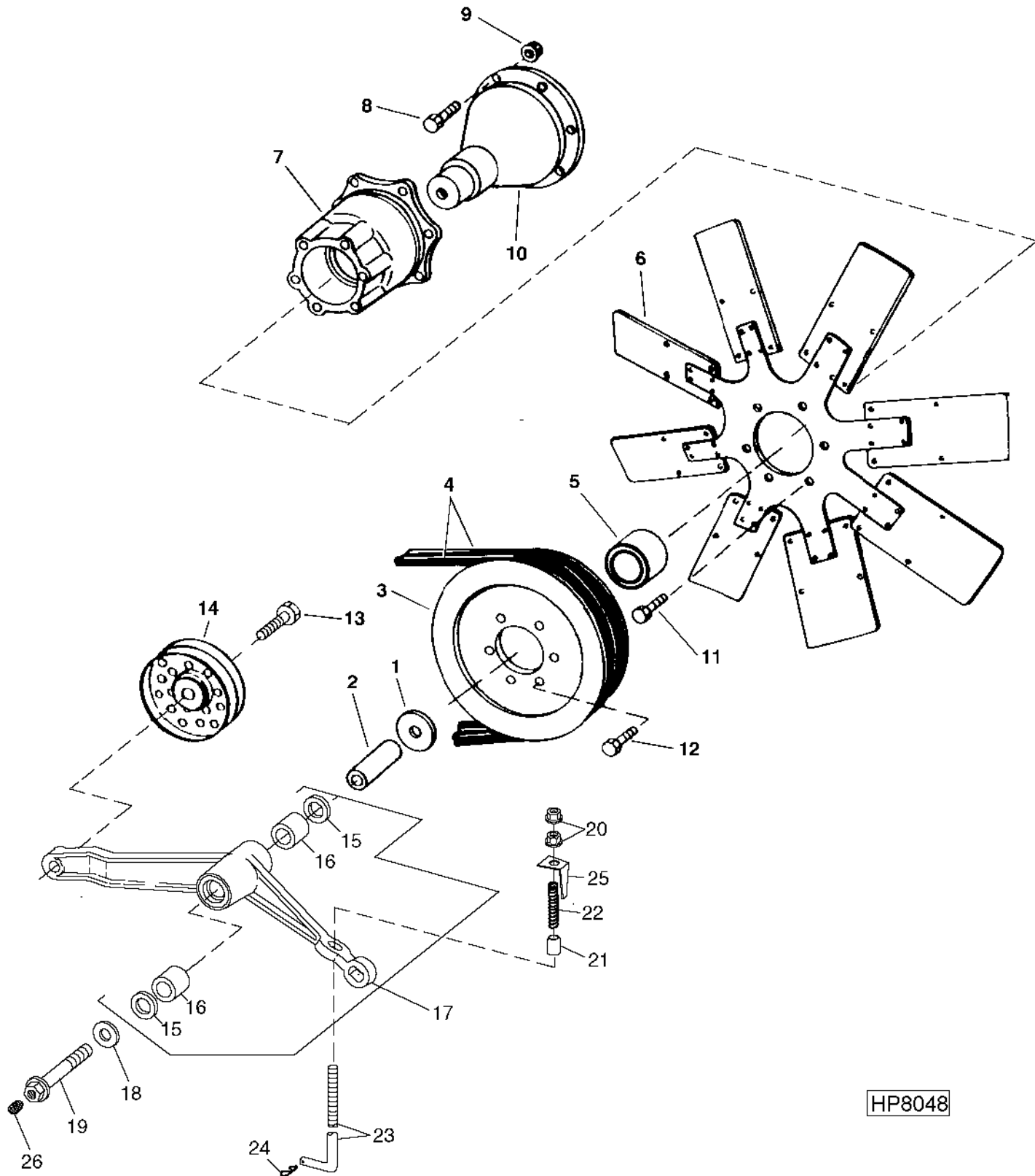
ROTARY SCREEN DOOR AND SCREEN - CONTINUED

KEY	PART NO.	PART NAME	QTY	SERIAL NO.	REMARKS
1	H172337	PIN	2		(SUB FOR H114818)
2	AH140118	SHEET	1		
3	19M7865	SCREW	15		M8 X 16
4	12M7032	LOCK WASHER	1		8.400 MM (0.331")
5	24M7028	WASHER	1		10.500 X 20 X 2 MM
6	AH138257	WIRING LEAD	1		
7	AH134642	HUB	1		
8	AH141849	BRUSH	1		
9	AH109788	ROLLER BEARING	1		
10	H83285	SNAP RING	1		
11	AH141671	SCREEN	1		
12	H140380	HUB	1		
13	19M8162	CAP SCREW	1		M10 X 40
14	AH141672	SCREEN	1		
15	24M7180	WASHER	1		13 X 37 X 3 MM
16	28H1720	BUSHING	1		0.423" X 0.675" X 27/32"
17	AH141808	AIR DUCT	1		
18	14M7298	FLANGE NUT	2		M8
19	03M7183	BOLT	2		M8 X 16
20	H144692	LABEL	1		
21	37H143	SCREW	16	650101-	
22	19M7774	SCREW	6	650101-	M6 X 12
23	24M7207	WASHER	6	650101-	8.400 X 24 X 2 MM
24	H148416	KNIFE	1	650101-	
25	AH142527	RAKE	1	650101-	

1B8

ENGINE FAN, INTERCOOLER AND SCREENS

ENGINE FAN AND DRIVES
HP8048 -UN-20NOV98



HP8048

1B9

ENGINE FAN, INTERCOOLER AND SCREENS

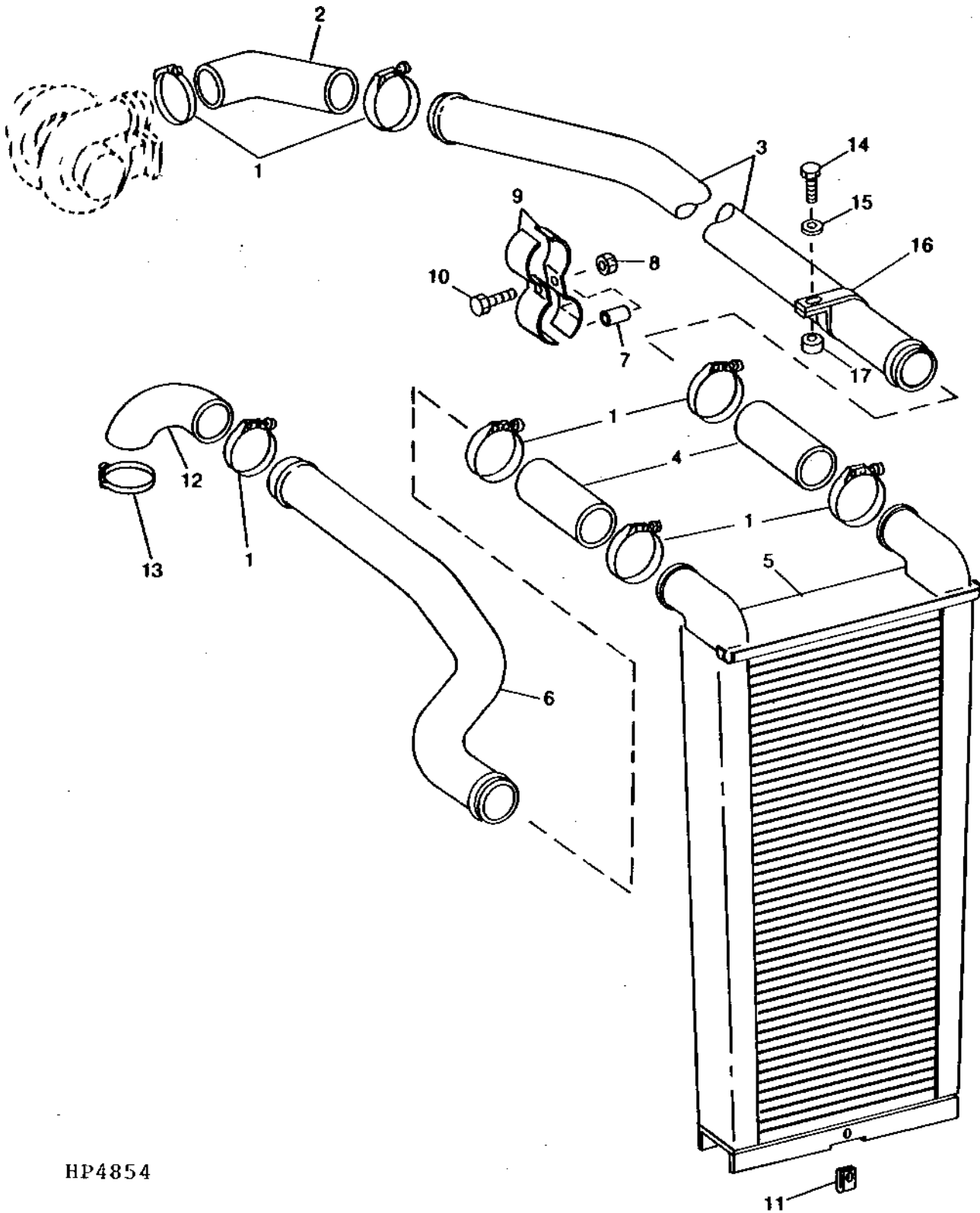
ENGINE FAN AND DRIVES - CONTINUED

KEY	PART NO.	PART NAME	QTY	SERIAL NO.	REMARKS
1	H125466	WASHER	1		13.500 X 48 X 8 MM (0.531" X 1.890" X 0.315")
2	H125467	BUSHING	1		13 X 25.310 X 90 MM
3	H129248	SHEAVE	1		
4	H132808	BELT	1		
5	AH120815	ROLLER BEARING	1		
6	AH125673	SUCTION FAN	1		
7	H134143	HUB	1		
8	19M7786	SCREW	4		M10 X 30
9	14M7400	LOCK NUT	4		M10
10	H134144	SUPPORT	1		
11	19M7866	SCREW	6		M8 X 20
12	19M7868	SCREW	6		M8 X 30
13	19M8306	SCREW	1		M12 X 50
14	AH96292	SHEAVE	1		139.700 MM
15	AA5607R	SEAL	2		
16	H99147	BUSHING	2		(SUB H171061)
	H171061	BEARING	2		
17	AH137704	ARM	1		
18	24M7180	WASHER	1		13 X 37 X 3 MM
19	H140848	SET SCREW	1		M12 X 120, 1/4" - TAPPED BOLT
20	14M7296	FLANGE NUT	2		M10
21	H134214	GUIDE	1		
22	H146767	COMPRESSION SPRING	1		
23	H164612	BOLT	1		
24	J16931	SPRING LOCKING PIN	1		
25	H162012	GAUGE	1		
26	JD7788	LUBRICATION FITTING	1		

1B10

ENGINE FAN, INTERCOOLER AND SCREENS

INTERCOOLER
HP4854 -UN-01JAN94



HP4854

1B11

ENGINE FAN, INTERCOOLER AND SCREENS

INTERCOOLER - CONTINUED

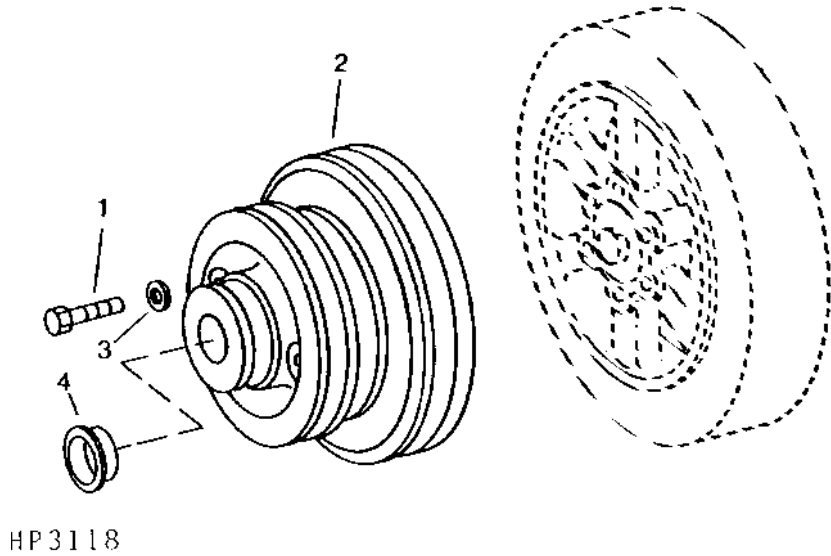
KEY	PART NO.	PART NAME	QTY	SERIAL NO.	REMARKS
1	AT39141	HOSE CLAMP	4		
2	H144248	HOSE	1		
3	H160359	TUBE	1		
4	H133051	HOSE	2		
5	AH151139	AIR COOLER	1		
6	H151061	TUBE	1		
7	28H1903	BUSHING	1		
8	14M7396	LOCK NUT	1	M8	
9	H133751	CLAMP	2		
10	19M8317	SCREW	1	M8 X 40	
11	M84971	NUT	1		
12	H144246	HOSE	1		
13	AT105289	CLAMP	1		
14	19M7865	SCREW	1	M8 X 16	
15	24H1305	WASHER	1	13/32" X 13/16" X 0.065"	
16	H143757	HOSE CLAMP	1		
17	14M7298	FLANGE NUT	1	M8	

1B12

ENGINE FAN, INTERCOOLER AND SCREENS

ENGINE DRIVE

HP3118 -UN-01JAN94



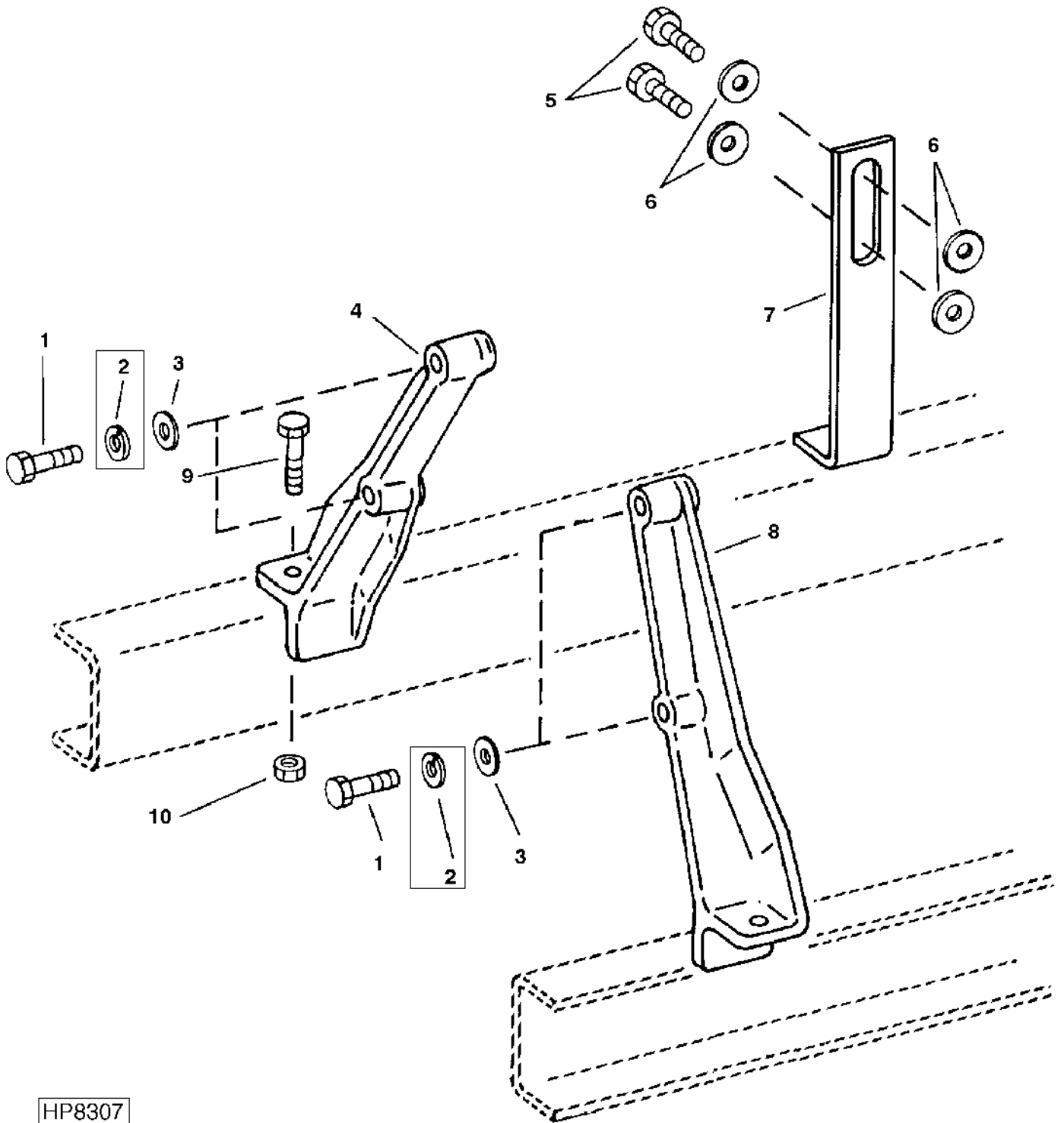
KEY	PART NO.	PART NAME	QTY	SERIAL NO.	REMARKS
1	19H3445	CAP SCREW	4	3/8" X 3-3/4"	
2	H150943	PULLEY	1		
3	24M7239	WASHER	4	10.700 X 21 X 2.500 MM	
4	B2984R	PLUG	1		

MEMORANDA

1B13

ENGINE FAN, INTERCOOLER AND SCREENS

ENGINE MOUNTS AND REAR SUPPORT
HP8307 -UN-05MAR99



HP8307

1B14

ENGINE FAN, INTERCOOLER AND SCREENS

ENGINE MOUNTS AND REAR SUPPORT - CONTINUED

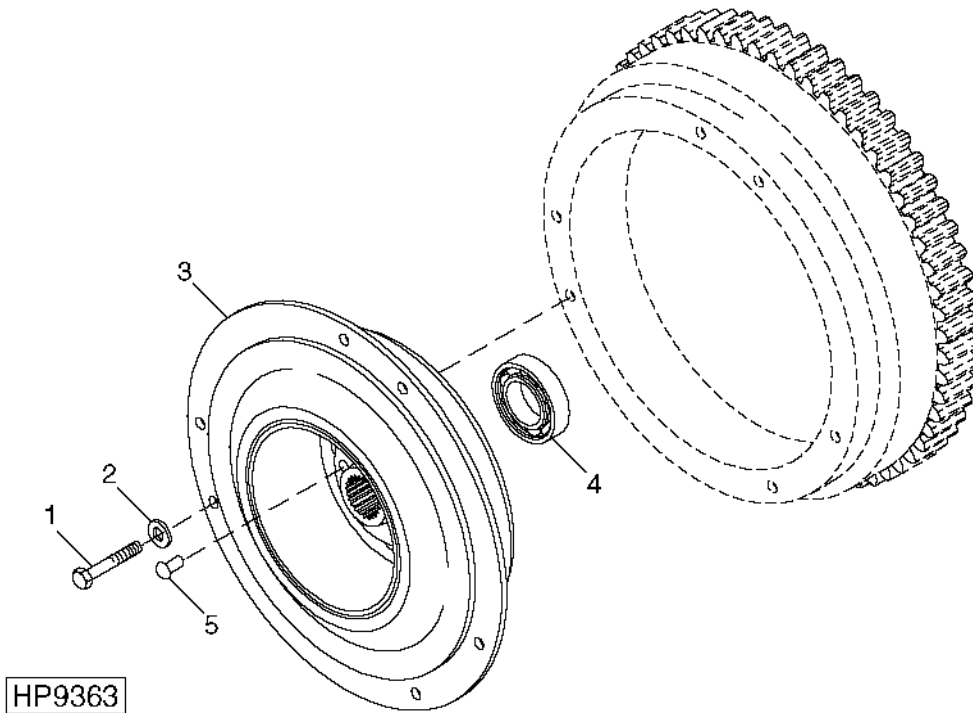
KEY	PART NO.	PART NAME	QTY	SERIAL NO.	REMARKS
1	19M7824	SCREW	1		M16 X 60
2	24H1373	WASHER	4	-680159	21/32" X 1-9/16" X 0.180"
3	19H1824	CAP SCREW	4		5/8" X 2-1/4"
4	H130089	SUPPORT	1		
5	19H1782	CAP SCREW	2		3/4" X 2-1/4"
6	24H1368	WASHER	4		21/32" X 1-5/16" X 0.090"
7	H134856	BRACKET	1		
8	H130090	SUPPORT	1		
9	19M7786	SCREW	1		M10 X 30
10	14M7296	FLANGE NUT	1		M10

1B15

ENGINE FAN, INTERCOOLER AND SCREENS

ENGINE - GEARCASE COUPLING WITH HUB

HP9363 -UN-02DEC99



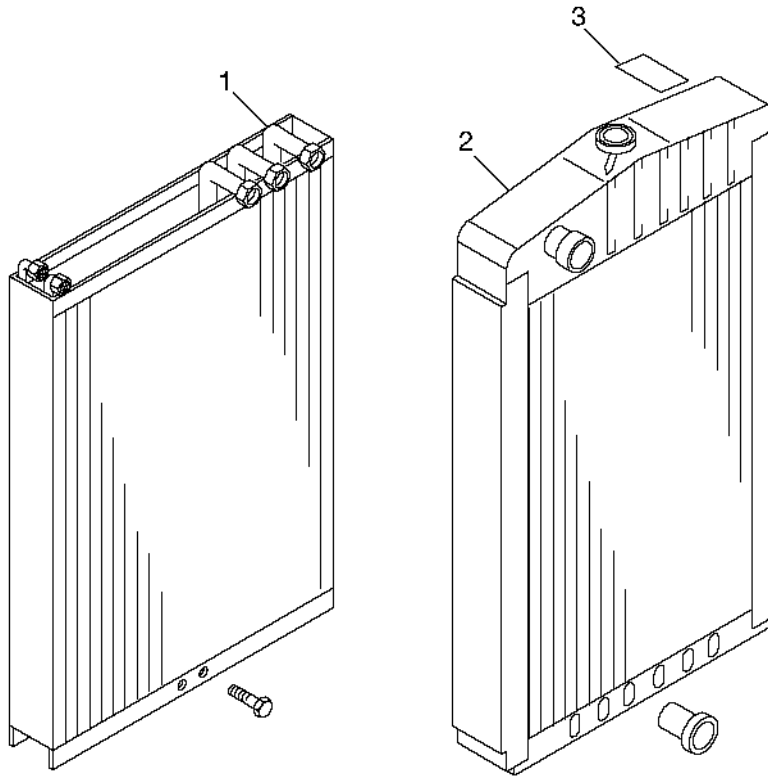
KEY	PART NO.	PART NAME	QTY	SERIAL NO.	REMARKS
1	R57725	SCREW	6		9.525 X 25.400 MM
2	R42729	WASHER	6		10.312 X 20.980 X 2.286 MM
3	AH117782	COUPLING	1		(INCLUDES (6) 16H1559)
4	AR48751	BALL BEARING	1	-16MAR8	(SUB AH158296)
	AH158296	BEARING	1	16MAR8-	
5	16H1559	RIVET	6		7/16" X 1-1/4"

1B16

ENGINE FAN, INTERCOOLER AND SCREENS

RADIATOR WITH OIL COOLER, A/C CONDENSER AND AIR INTER COOLER

HP9652 -UN-28MAR00

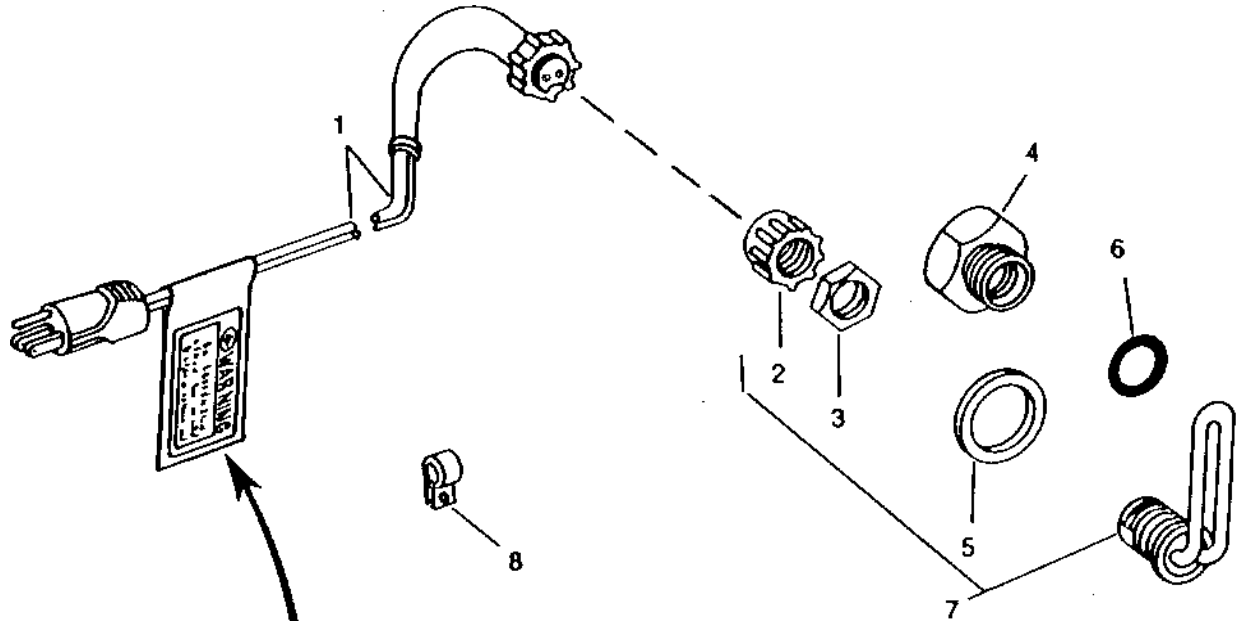


HP9652

KEY	PART NO.	PART NAME	QTY	SERIAL NO.	REMARKS
1	AH149618	VAPOR CONDENSER	1		OIL COOLER (TOP) AND A/C CONDENSER TOGETHER COOLER SEE SECTION 070, FOR A/C SYSTEM SEE SECTION 090
2	AH128257	RADIATOR	1		STANDARD 5 FIN - 7 ROW
	AH144719	RADIATOR	1		4 FIN - 6 ROW
3	H169344	DECAL	1		(SUB FOR A2913R)
..	H166395	SEAL	AR	675337-	

1B17

ENGINE BLOCK COOLANT HEATER
HP5231 -UN-01JAN94



⚡ WARNING

To prevent shock,
always use a grounded
3-wire extension cord

HP5231

1B18

ENGINE FAN, INTERCOOLER AND SCREENS

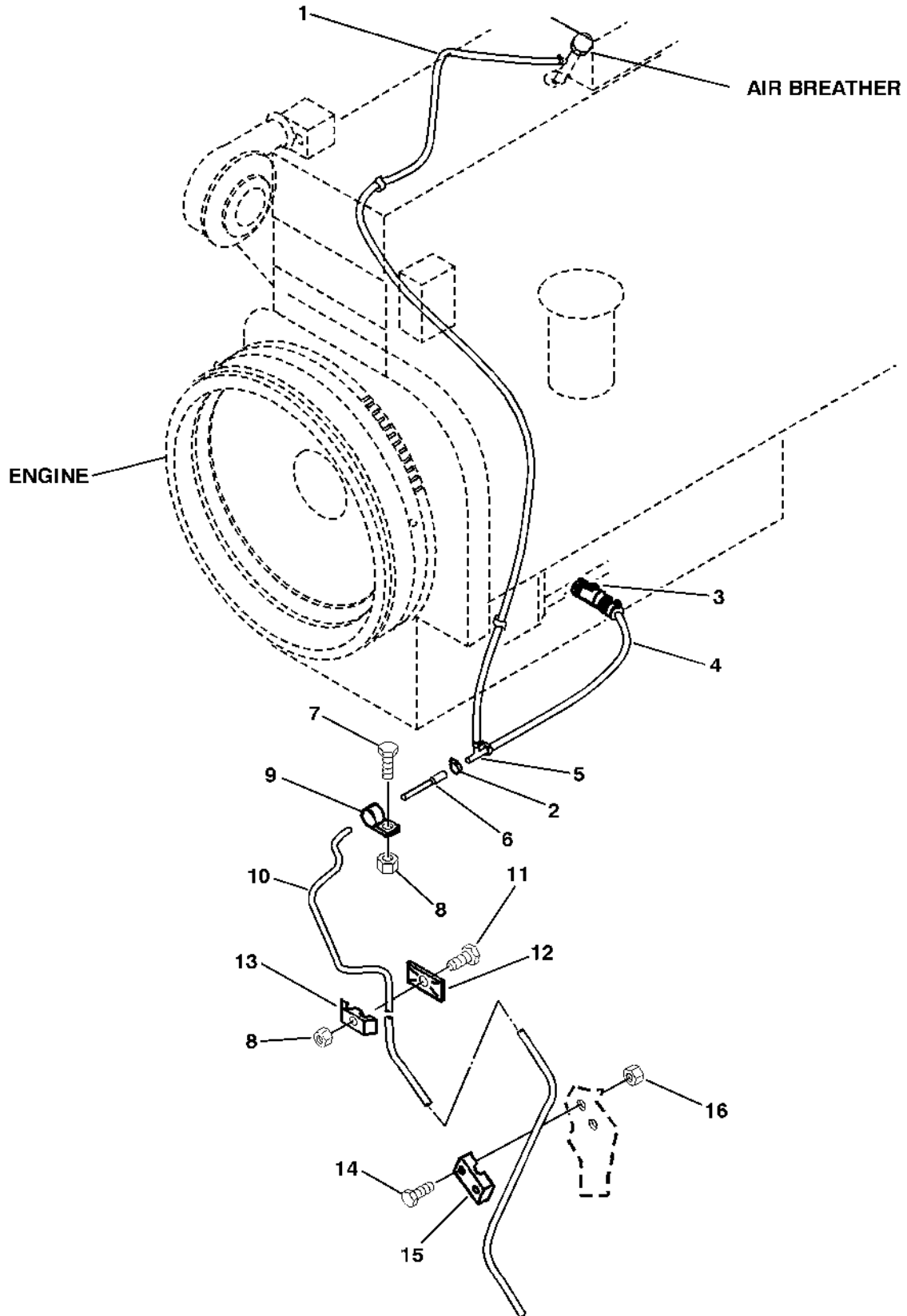
ENGINE BLOCK COOLANT HEATER AND EXT. CORD - CONTINUED

KEY	PART NO.	PART NAME	QTY	SERIAL NO.	REMARKS
1	AR50411	WIRING LEAD	1	12'	
2	R54510	CAP	1		
3	R54511	NUT	1		
4	R54123	ADAPTER	1		
5	R47693	GASKET	1		
6	U13639	O-RING	1		37.465 X 2.997 MM (1.475" X 0.118")
7	RE504122	COOLANT HEATER	1		(SUB FOR AR62399) STANDARD WITH ENGINE
8	H75541	CLAMP	1		

1B19

ENGINE FAN, INTERCOOLER AND SCREENS

ENGINE CRANKCASE OIL DRAIN
HP6783 -UN-12SEP97



HP6783

1B20

ENGINE FAN, INTERCOOLER AND SCREENS

ENGINE CRANKCASE OIL DRAIN - CONTINUED

KEY	PART NO.	PART NAME	QTY	SERIAL NO.	REMARKS
1	H152868	HOSE	1		
2	AT18904	CLAMP	5		
3	A27238	HOSE FITTING	1	-675217	
	A25842	ELBOW FITTING	1	675218-	
4	TY22424	HOSE	1		
5	A24915	TEE FITTING	1		
6	H160024	HOSE	1		
7	19M7867	SCREW	1		M8 X 25
8	14M7298	FLANGE NUT	1		M8
9	T70694	CLAMP	1		
10	H161155	TUBE	1		
11	19M7801	SCREW	1		M8 X 60
12	H112567	PLATE	2		
13	H114897	CLAMP	2		
14	03M7280	BOLT	2		M6 X 45
15	H114432	CLAMP	2		
16	14M7303	FLANGE NUT	2		M6

MEMORANDA

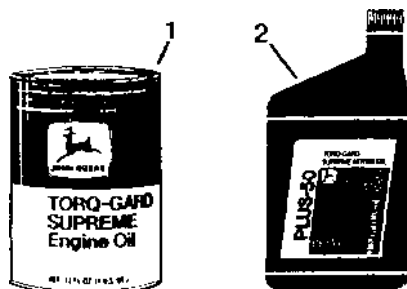
MEMORANDA

1C4

ENGINE

TORQ-GARD SUPREME AND PLUS-50 ENGINE OIL

RGP3291 -UN-01JAN94



RGP 3291

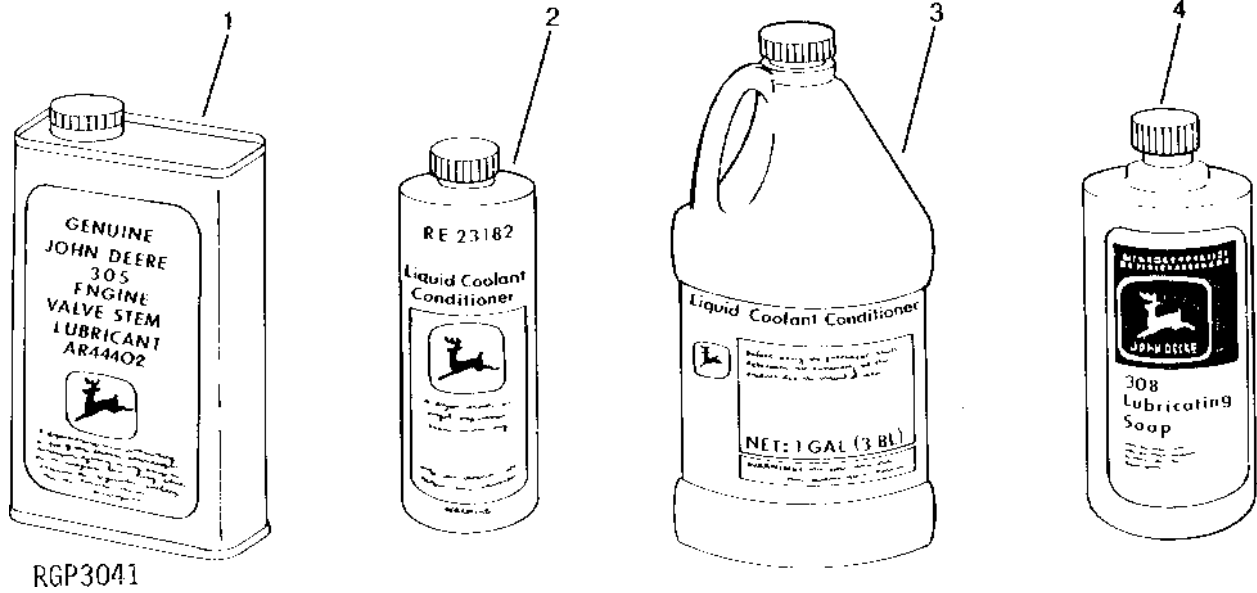
KEY	PART NO.	PART NAME	QTY	ENGINE SERIAL NO.	REMARKS
1	TY6359	OIL	1	(SAE 5W/30), 0.9 L (1 QUART) CAN	
	TY6360	OIL	1	(SAE 5W/30), 19 L (5 GALLON) CAN	
	TY6361	OIL	1	(SAE 5W/30), 208 L (55 GALLON) DRUM	
	TY6297	OIL	1	(SAE 15W/40), 0.9 L (1 QUART) CAN	
	TY6298	OIL	1	(SAE 15W/40), 19 L (5 GALLON) CAN	
	TY6300	OIL	1	(SAE 15W/40), 114 L (30 GALLON) DRUM	
	TY6301	OIL	1	(SAE 15W/40), 208 L (55 GALLON) DRUM	
	TY6311	OIL	1	(SAE 10W), 0.9 L (1 QUART) CAN	
	TY22009	OIL	1	(SAE 10), 3.8 L (1 GALLON)	
	TY6312	OIL	1	(SAE 10W), 19 L (5 GALLON) CAN	
	TY6313	OIL	1	(SAE 10W), 208 L (55 GALLON) DRUM	
	AR63979	OIL	1	(SAE 30), 0.2 L (1 HALF PINT) CAN	
	AR63218	OIL	1	(SAE 30), 0.9 L (1 QUART) CAN	
	AR63219	OIL	1	(SAE 30), 19 L (5 GALLON) CAN	
	TY6280	OIL	1	(SAE 30), 114 L (30 GALLON) DRUM	
	AR63222	OIL	1	(SAE 30), 208 L (55 GALLON) DRUM	
	2	TY6389	OIL	1	(SAE 15W/40), 0.9 L (1 QUART)
TY22008		OIL	1	(SAE 15W/40), 3.8 L (1 GALLON)	
TY6390		OIL	1	(SAE 15W/40), 19 L (5 GALLON)	
TY22010		OIL	1	(SAE 15W/40), 113.6 L (30 GALLON)	
TY6391		OIL	1	(SAE 15W/40), 208 L (55 GALLON)	
TY6392		OIL	1	(SAE 30), 0.9 L (1 QUART)	
TY22007		OIL	1	(SAE 30), 3.8 L (1 GALLON)	
TY6393		OIL	1	(SAE 30), 19 L (5 GALLON)	
TY22011		OIL	1	(SAE 30), 113.6 L (30 GALLON)	
TY6394		OIL	1	(SAE 30), 208 L (55 GALLON)	

KITS (NOT ILLUSTRATED)

KEY	PART NO.	PART NAME	QTY	ENGINE SERIAL NO.	REMARKS
..	AR41785	KIT	1		CONTAINS 0.9 L (1 QT.) CAN OF INTERNAL CORROSION INHIBITOR, 1 ROLL OF TAPE, AND 6 PLASTIC BAGS (OFF-SEASON STORAGE)
..	AR41870	RUST INHIBITOR	1		0.9 L (1 QT.) CAN, (SUB AR41785)
..	AR21969	KIT	1		(DUST CAP/COVER KIT)

COOLANT CONDITIONER AND ENGINE PART LUBRICANTS

RGP3041 -UN-01JAN94



RGP3041

VALVE STEM LUBRICANT

KEY	PART NO.	PART NAME	QTY	SERIAL NO.	REMARKS
1	AR44402	OIL	1	0.9 L (1 QT.)	

COOLANT CONDITIONER

KEY	PART NO.	PART NAME	QTY	SERIAL NO.	REMARKS
2	RE23182	ENGINE COOLANT CONDITIONER	1	0.473 L (16 OZ.)	
3	RE35992	ENGINE COOLANT CONDITIONER	1	3.8 L (1 GAL.)	

CYLINDER LINER PACKING LUBRICANT

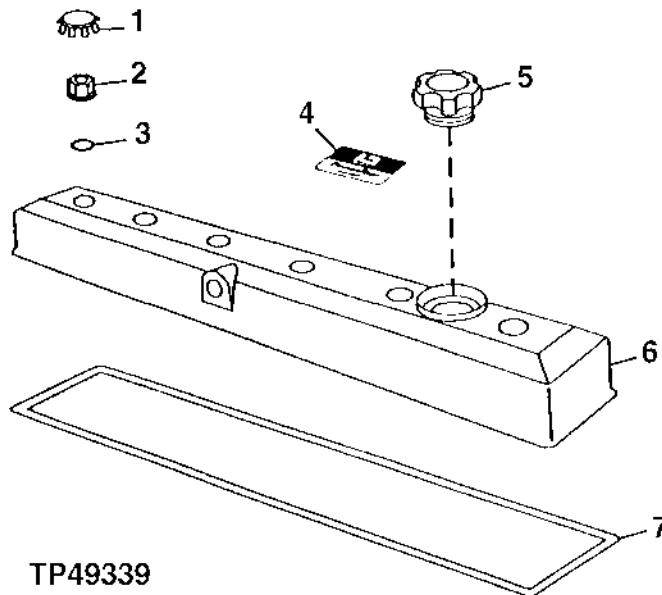
KEY	PART NO.	PART NAME	QTY	ENGINE SERIAL NO.	REMARKS
4	AR54749	LUBRICANT	1	0.9 L (1 QT.)	

1C6

ENGINE

ROCKER ARM COVER AND ENGINE OIL FILL PLUG

TP49339 -UN-18JAN96



TP49339

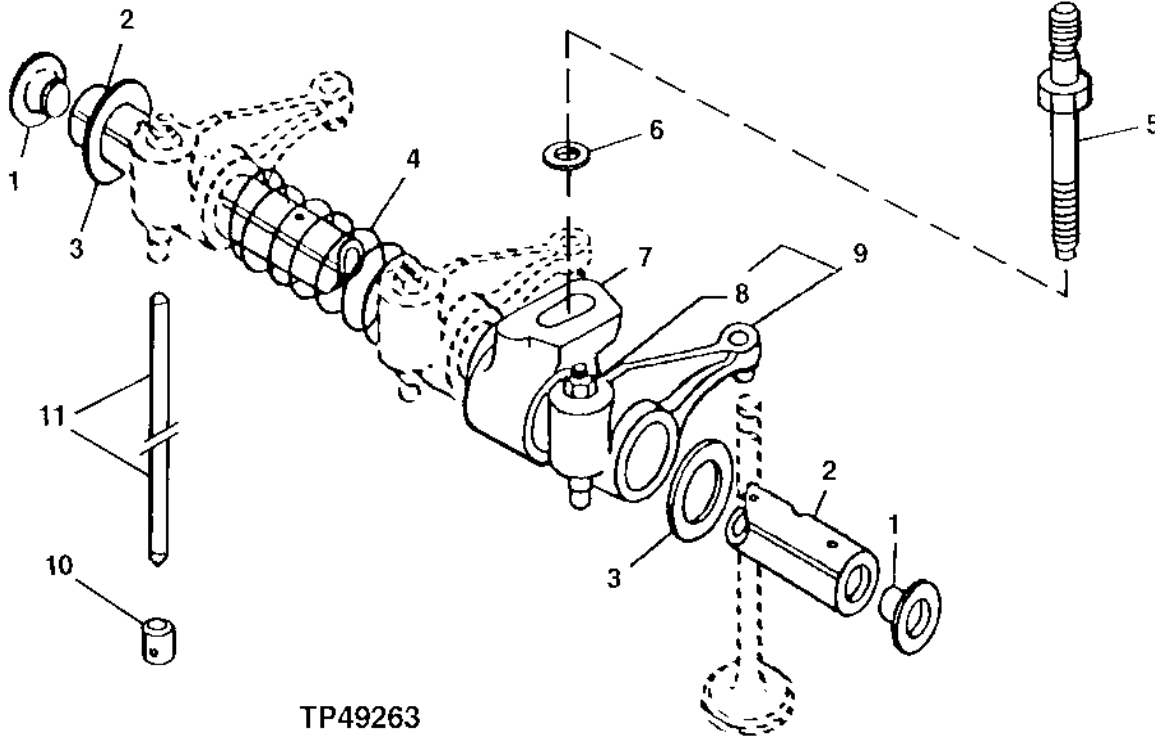
KEY	PART NO.	PART NAME	QTY	ENGINE SERIAL NO.	REMARKS
1	H23125	PLUG	6		
2	R123574	NUT	6		
3	R123575	O-RING	6		
4	R121674	MEDALLION	1		
5	RE59801	PLUG	1		ENGINE OIL FILL
6	RE502987	COVER	1		(SUB FOR RE69372 AND RE70400)
7	R123543	GASKET	1		

1C7

ENGINE

ROCKER ARM SHAFT,ROCKER ARMS,PUSH RODS AND CAMSHAFT FOLLOWERS

TP49263 -UN-20JUN95



TP49263

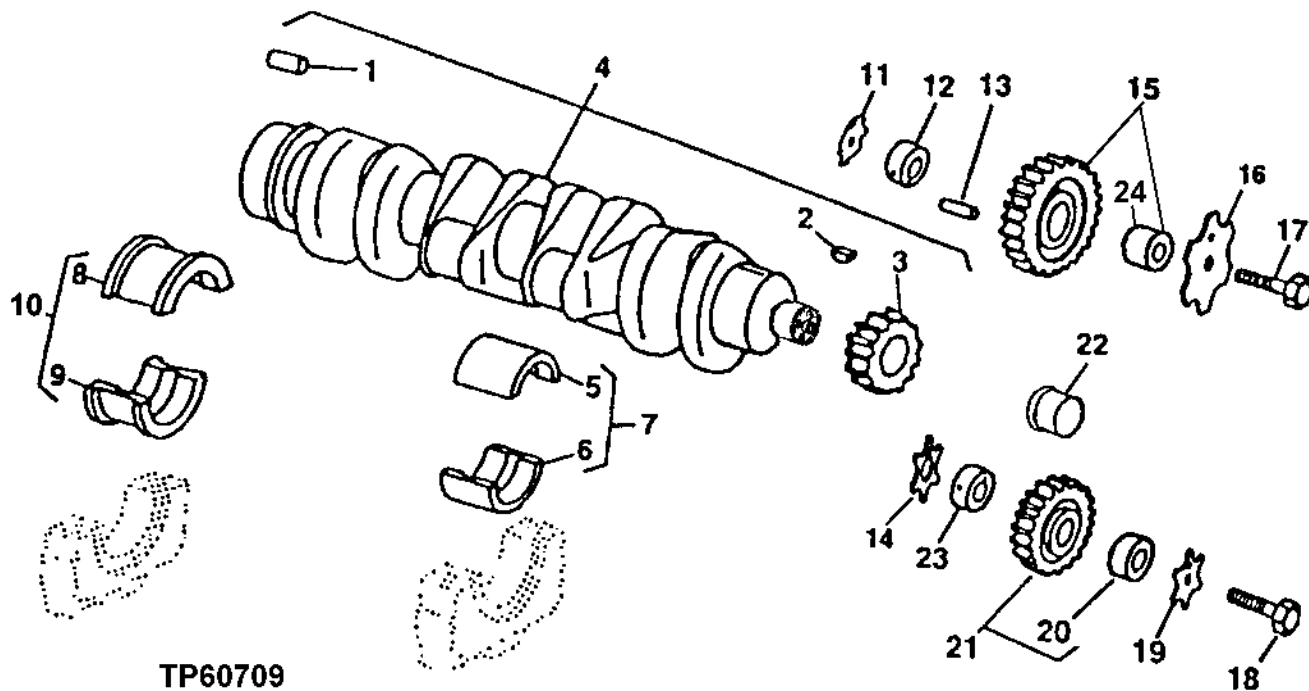
KEY	PART NO.	PART NAME	QTY	ENGINE SERIAL NO.	REMARKS
1	R54565	PLUG	2		
2	R123514	ROCKER ARM SHAFT	1		
3	T20316	WASHER	2		
4	T20314	SPRING	5		
5	R123271	STUD	6		
6	R42729	WASHER	6		
7	R123161	SUPPORT	6		
8	14M7148	NUT	1	M10	
9	RE68695	ROCKER ARM	12	(ALSO ORDER R107731)	
10	R123565	CAM FOLLOWER	12		
11	R107731	PUSH ROD	12		

1C8

ENGINE

CRANKSHAFT, CRANKSHAFT GEARS AND MAIN BEARINGS

TP60709 -UN-09JUN98

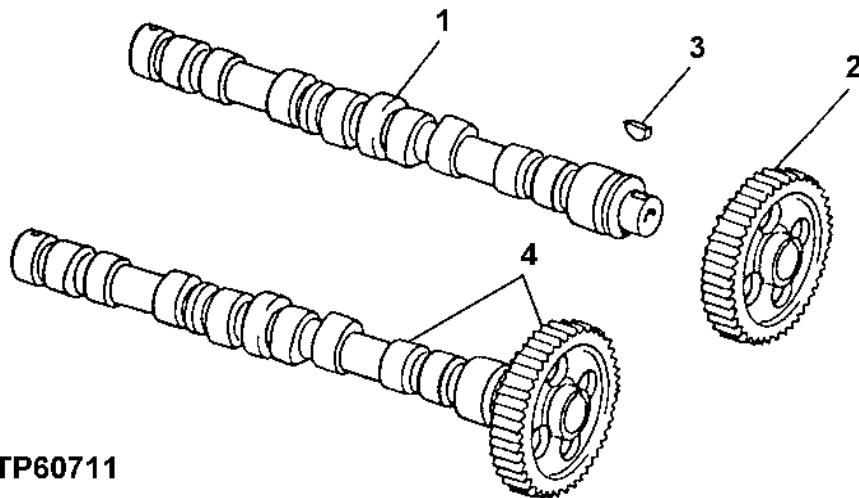


KEY	PART NO.	PART NAME	QTY	ENGINE SERIAL NO.	REMARKS
1	R48685	DOWEL PIN	1		12.700 X 28.448 MM (1/2" X 1.120")
2	26M4224	SHAFT KEY	1		4 X 16 MM
3	R120631	GEAR	1		(30 TEETH)
4	RE52850	CRANKSHAFT	1		(MARKED R116076) (ALSO ORDER RE59811)
5	BEARING	6		STANDARD UPPER, (MARKED R123561)
6	BEARING	6		UNDERSIZE UPPER .254 MM, (MARKED R130576)
7	RE65165	BEARING KIT	6		STANDARD
8	RE65911	BEARING	6		UNDERSIZE .254 MM
9	BEARING	1		STANDARD UPPER, (MARKED R123563)
10	BEARING	1		UNDERSIZE UPPER .254 MM, (MARKED R130574)
11	BEARING	1		STANDARD LOWER, (MARKED R123564)
12	BEARING	1		UNDERSIZE LOWER .254 MM, (MARKED R130575)
13	RE65168	BEARING KIT	1		STANDARD
14	RE65912	THRUST BEARING	1		UNDERSIZE .254 MM
15	R123174	LOCK WASHER	1	-766938	
16	R101225	THRUST WASHER	1	766939-	
17	R120641	SHAFT	1	-766938	
18	R109863	SHAFT	1	766939-	
19	34H288	SPRING PIN	1	-766938	4.775 X 44.450 MM (3/16" X 1-3/4")
20	R101225	THRUST WASHER	1		
21	RE56313	GEAR	1	-766938	(MARKED R120635)
22	RE500631	GEAR	1	766939-	(MARKED R500363)
23	R131206	THRUST WASHER	1	-766938	
24	R131283	THRUST WASHER	1	766939-	
25	19M8997	SCREW	1	-766938	M10 X 65
26	19M8844	SCREW	1	766939-	M10 X 60
27	19M8966	SCREW	1		M10 X 50
28	R131283	THRUST WASHER	1		
29	R114193	BUSHING	1		
30	RE56369	GEAR	1		
31	RE59811	SLEEVE	1		WITH INSTALLATION TOOL
32	R114194	SHAFT	1		
33	BUSHING	1	-766938	
34	T20034	BUSHING	1	766939-	

1C9

ENGINE

CAMSHAFT AND CAMSHAFT GEAR
 TP60711 -UN-17JUN98



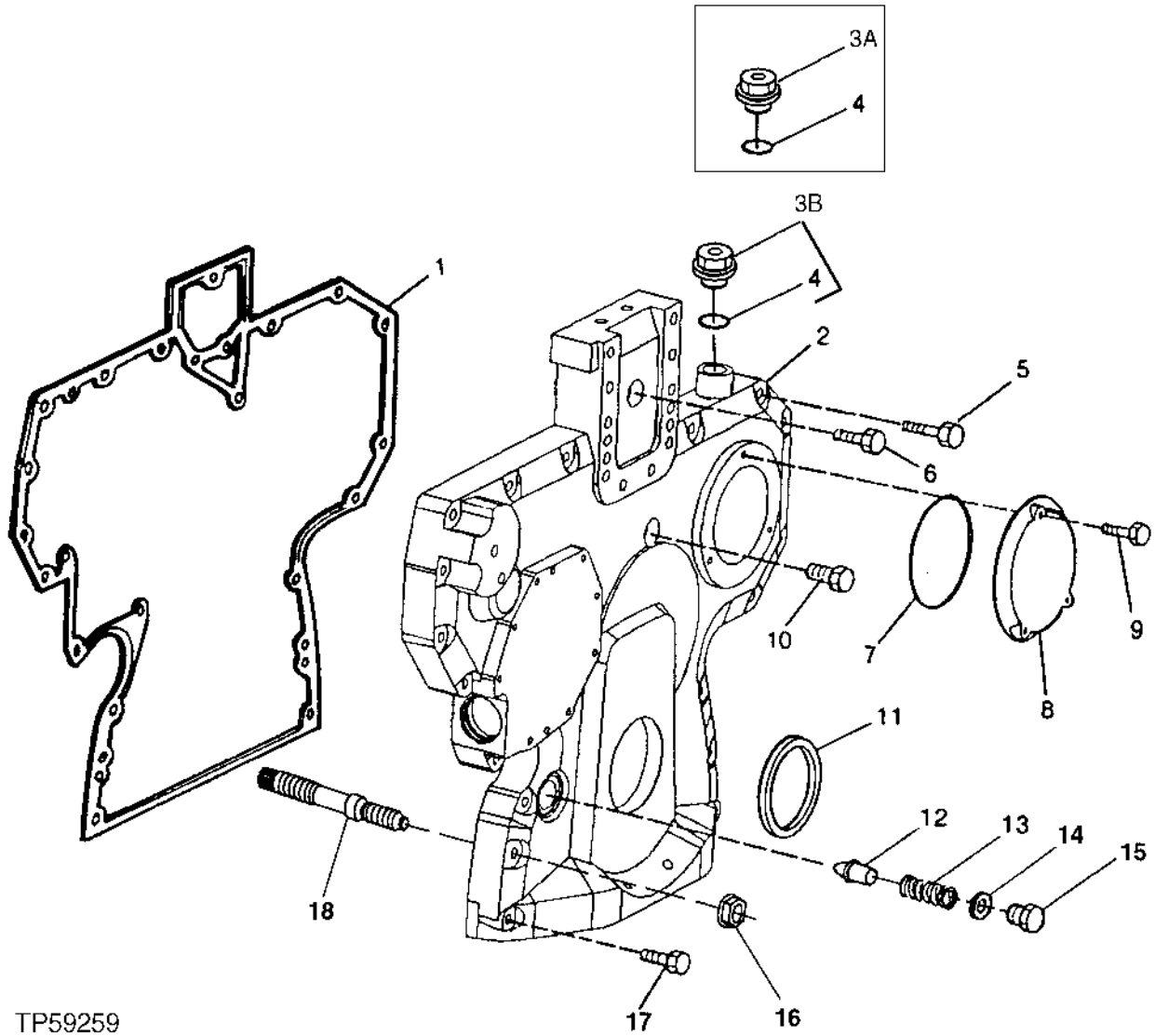
TP60711

KEY	PART NO.	PART NAME	QTY	ENGINE SERIAL NO.	REMARKS
1	CAMSHAFT	1		(R135440 NO LONGER AVAILABLE)
2	GEAR	1		(60 TEETH) (R133812 NO LONGER AVAILABLE)
3	SHAFT KEY	1		(R133303 NO LONGER AVAILABLE)
4	RE56578	CAMSHAFT	1		(WITH GEAR AND KEY) (MARKED R135440)

1C10

ENGINE

TIMING GEAR COVER AND ENGINE OIL PRESSURE RELIEF VALVE
TP59259 -UN-08MAY98



1C11

ENGINE

TIMING GEAR COVER AND ENGINE OIL PRESSURE RELIEF VALVE

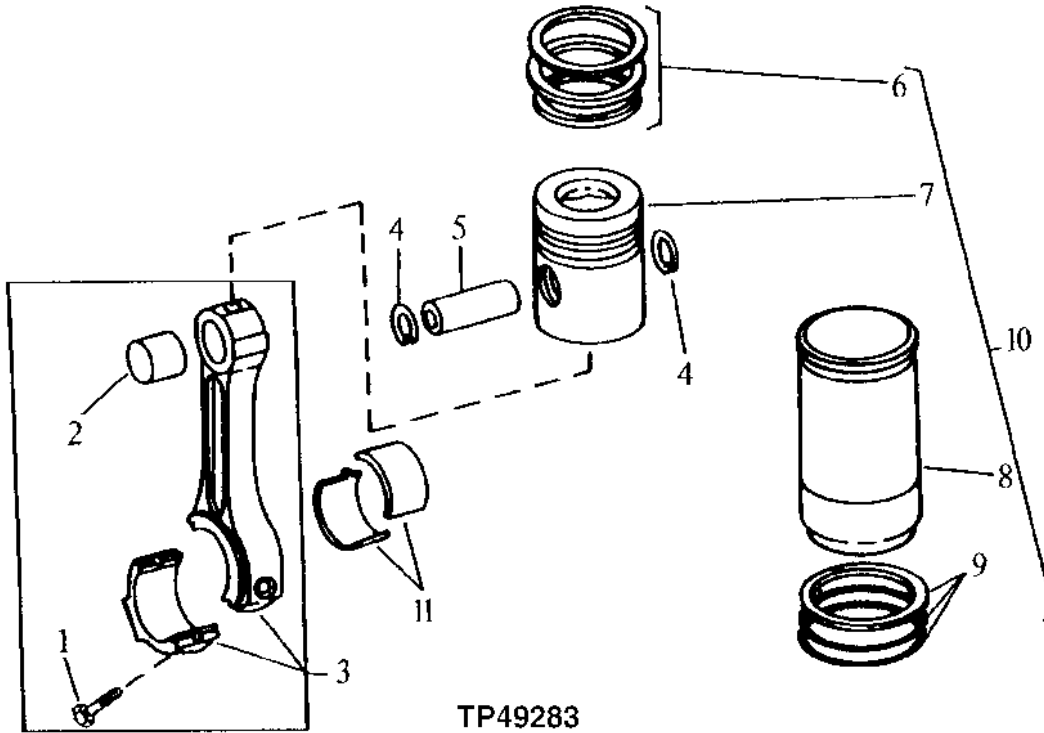
KEY	PART NO.	PART NAME	QTY	ENGINE SERIAL NO.	REMARKS
1	R136516	GASKET	1		(SUB FOR R134534)
2	R134531	COVER	1		
3A	R101085	PLUG	1		(SUB RE501938, THIS APPLICATION) (WITHOUT TACHOMETER SENSOR)
3B	RE501938	PLUG	1		(WITHOUT TACHOMETER SENSOR)
4	51M7044	O-RING	1		17.300 X 2.200 MM
5	19M8317	SCREW	6		M8 X 40
	19M7801	SCREW	1		M8 X 60
	19M7867	SCREW	1		M8 X 25
	RE67239	SCREW	1		
6	19M8291	SCREW	1		M8 X 35
7	R121424	O-RING	1		
8	R121411	COVER	1		
9	19M7775	SCREW	3		M6 X 16
10	19M7801	SCREW	1		M8 X 60
11	RE59810	SEAL	1		
12	R83169	VALVE	1		
13	T27658	SPRING	1		
14	A4827R	WASHER	1		
15	R91692	PLUG	1		OIL PRESSURE REGULATING
16	14M7296	FLANGE NUT	6		M10
17	19M7979	SCREW	2		M8 X 55
18	R123584	STUD	6		

1C12

ENGINE

CONNECTING ROD, ROD BEARINGS, PISTONS AND CYLINDER LINERS

TP49283 -UN-17JUL95



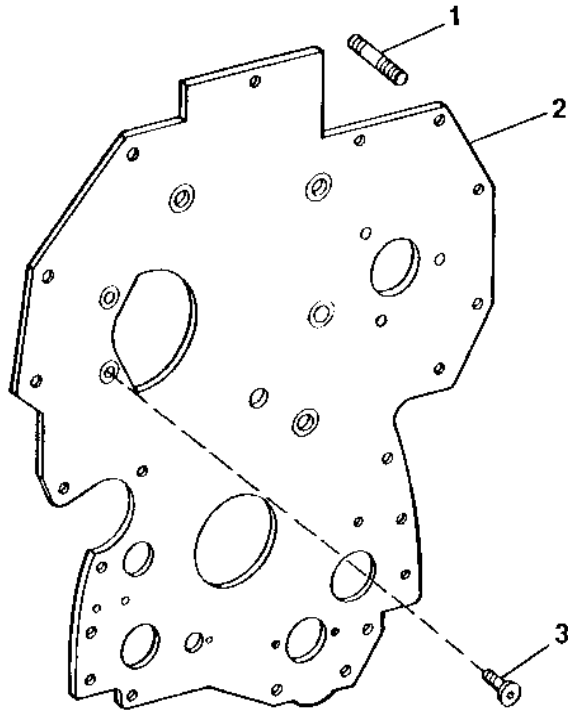
TP49283

KEY	PART NO.	PART NAME	QTY	ENGINE SERIAL NO.	REMARKS
1	R501124	SCREW	12		(SUB FOR R114083 AND R500500)
2	R114082	BUSHING	12		(SUB FOR R130602)
3	RE50770	CONNECTING ROD	6	-XXXXXX	(MARKED R114081) (SUB R500608)
	RE500608	CONNECTING ROD	6	XXXXXX-	(MARKED R500335)
4	R54114	SNAP RING	12		
5	R123177	PISTON PIN	6		
6	RE66820	PISTON RING KIT	6		
7	PISTON	6		
8	CYLINDER LINER	6		(ORDER RE65969)
9	AR65507	O-RING KIT	6		CYLINDER LINER
10	RE65969	PISTON-LINER KIT	6		PISTON WITH LINER
11	RE65908	BEARING	6		STANDARD
	RE65909	BEARING	6		.010" UNDERSIZE

1C13

ENGINE

ENGINE FRONT PLATE
TP49330 -UN-14NOV95



TP49330

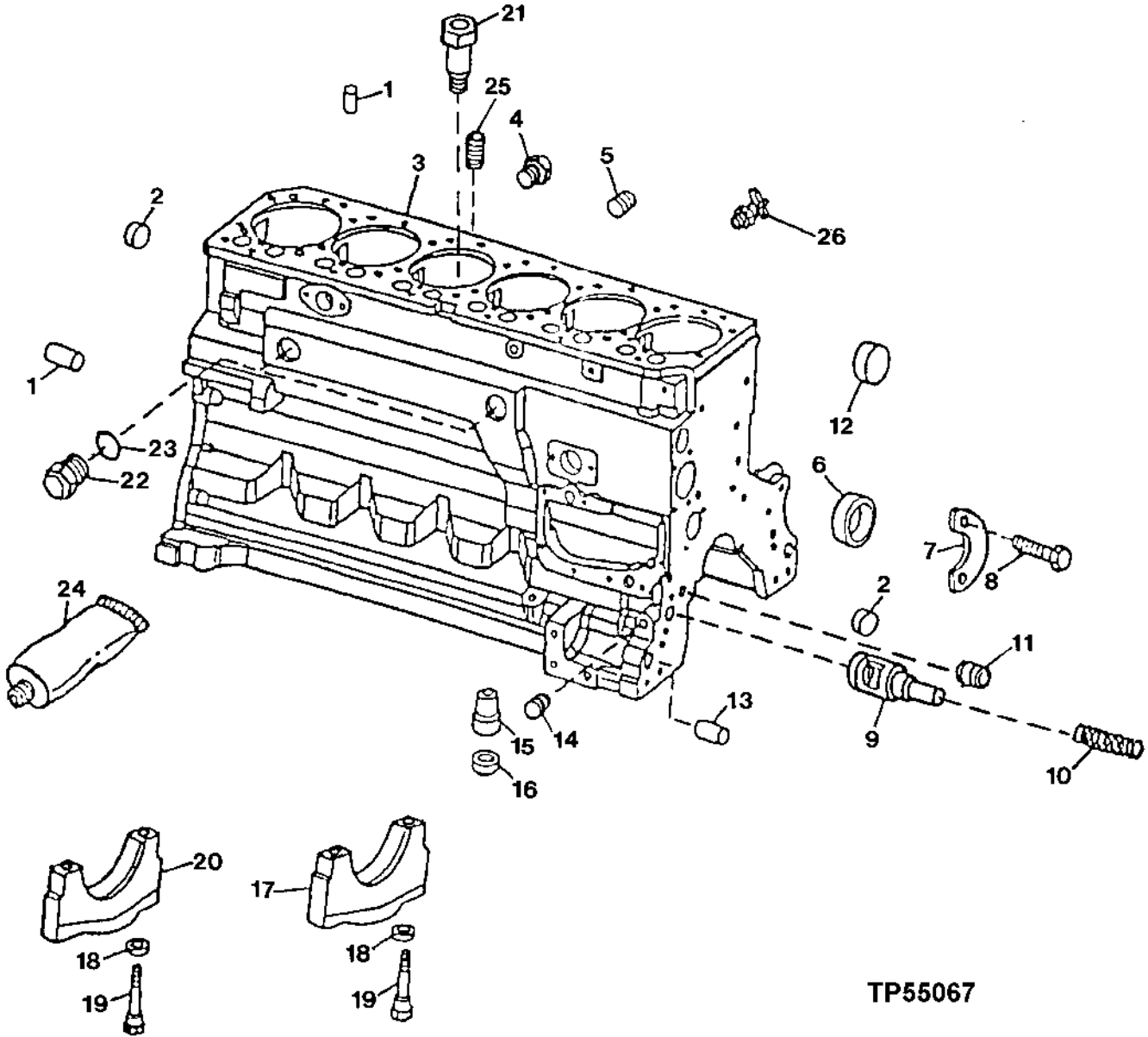
KEY	PART NO.	PART NAME	QTY	ENGINE SERIAL NO.	REMARKS
1	R116386	STUD	3		
2	R134527	PLATE	1		
3	R136475	SCREW	6		(SUB FOR R123355)

1C14

ENGINE

CYLINDER BLOCK AND MAIN BEARING CAPS

TP55067 -UN-16JUN97



TP55067

1C15

ENGINE

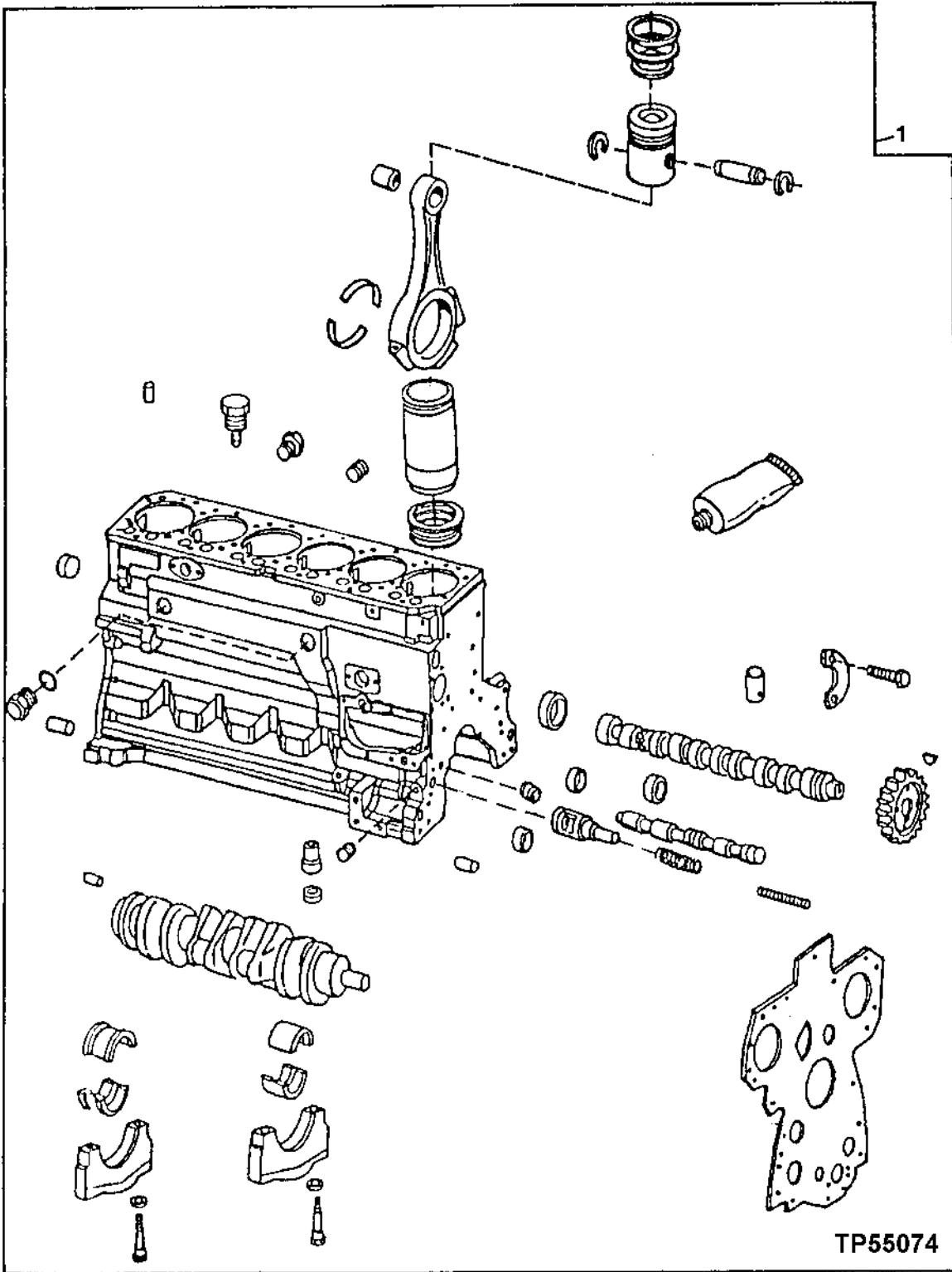
CYLINDER BLOCK AND MAIN BEARING CAPS-CONYINUED

KEY	PART NO.	PART NAME	QTY	ENGINE SERIAL NO.	REMARKS
1	R48685	DOWEL PIN	4		
2	T18891	CAP	2		
3	CYLINDER BLOCK	1		(MARKED R119565) (ORDER RE65965)
4	R55233	PIPE PLUG	1		
5	R104592	PIPE PLUG	7		
6	R119874	BUSHING	1		CAMSHAFT
7	R132518	PLATE	1		
8	19M8999	SCREW	2		M8 X 25
9	R121043	VALVE	1		ENGINE OIL BY-PASS
10	R111137	SPRING	1		
11	R26493	BUSHING	1		OIL PRESSURE REGULATING
12	R116466	BUSHING	1		
13	R26650	DOWEL PIN	2		
14	15H623	PIPE PLUG	1		3/8"
15	R115390	BUSHING	1		
16	R75892	O-RING	1		
17	R114241	BEARING CAP	6		MAIN BEARING
18	T20168	WASHER	14		
19	T23474	CAP SCREW	14		
20	R132186	BEARING CAP	1		MAIN THRUST BEARING
21	R131182	ORIFICE	6		
22	R39741	DRAIN PLUG	2		
23	U13639	O-RING	2		37.465 X 2.997 MM (1.475" X 0.118")
24	T43514	GASKET	1		(PLASTIC GASKET)
25	15H624	PIPE PLUG	1		1/2", W/O TURBO
26	AT13740	DRAIN VALVE	1		
27	R123616	PLUG	1		
28	RE46685	PLUG	1		

1C16

ENGINE

ENGINE SHORT BLOCK
TP55074 -UN-01MAY97



1C17

ENGINE

ENGINE SHORT BLOCK- CONTINUED

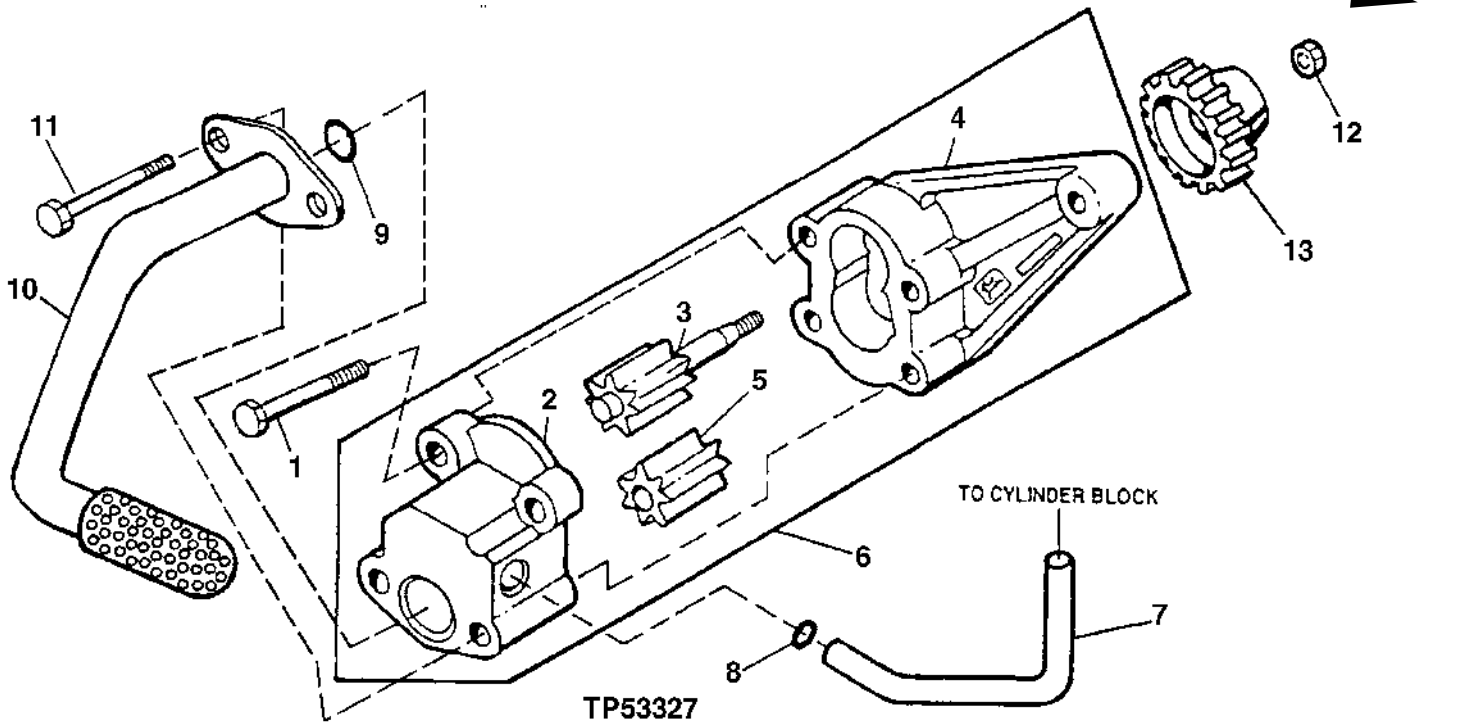
KEY	PART NO.	PART NAME	QTY	ENGINE SERIAL NO.	REMARKS
1	RE65965	SHORT BLOCK ASSEMBLY	1	(MARKED R119565)	

MEMORANDA

1C18

ENGINE

ENGINE OIL PUMP AND OIL PUMP INTAKE
TP53327 -UN-11SEP96

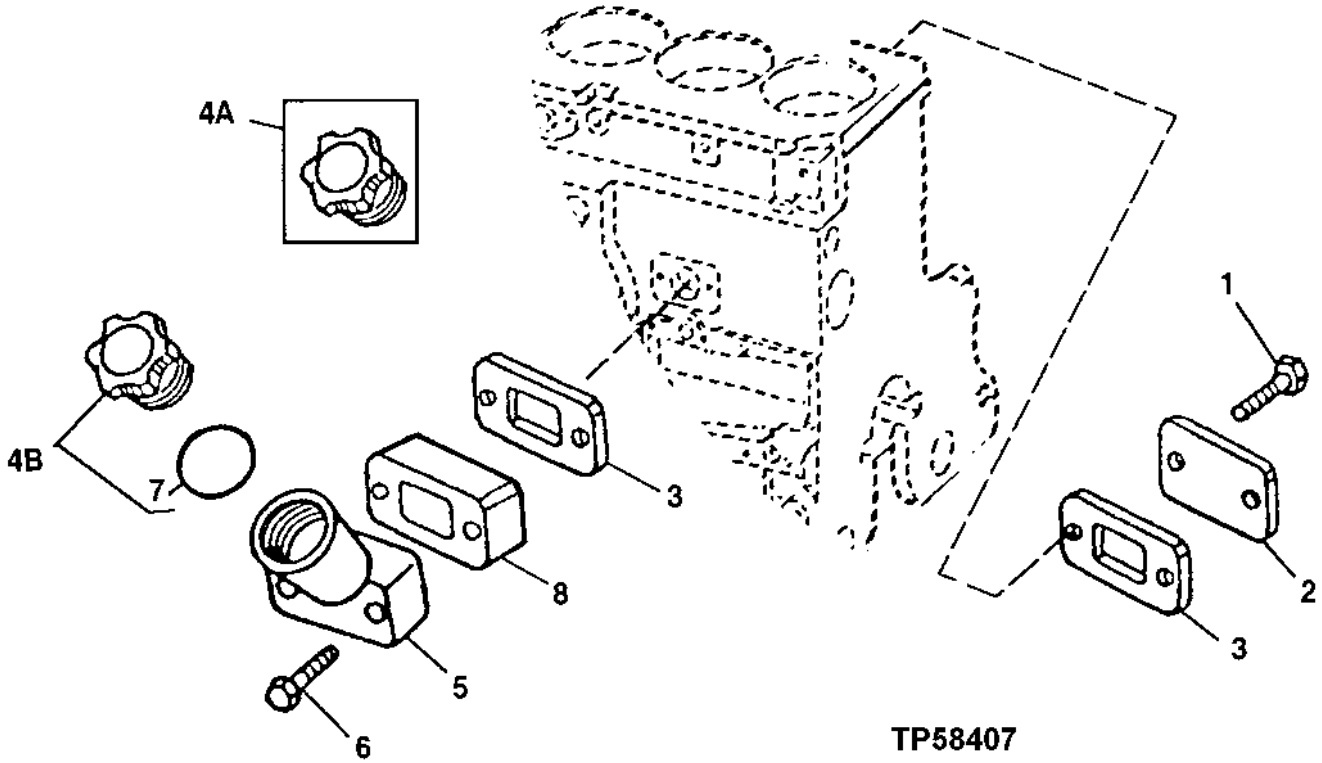


KEY	PART NO.	PART NAME	QTY	ENGINE SERIAL NO.	REMARKS
1	19M8987	SCREW	2	M8 X 65	
2	COVER	1		
3	GEAR	1		
4	HOUSING	1		
5	GEAR	1		
6	RE502269	OIL PUMP	1		(MARKED R123179) (SUB FOR RE50173 MARKED R123179 AND RE59582 MARKED R123179)
7	R121376	TUBE	1		
8	R97185	O-RING	1		
9	R61871	O-RING	1		
10	RE71143	OIL PUMP INTAKE	1		(SUB FOR RE58862)
11	19M8986	SCREW	2	M8 X 100	
12	14M7066	NUT	1	M12	
13	R120638	GEAR	1	(30 TEETH)	

1C19

ENGINE

ENGINE OIL FILLER INLET AND OIL FILL CAP
 TP58407 -UN-15JAN99



TP58407

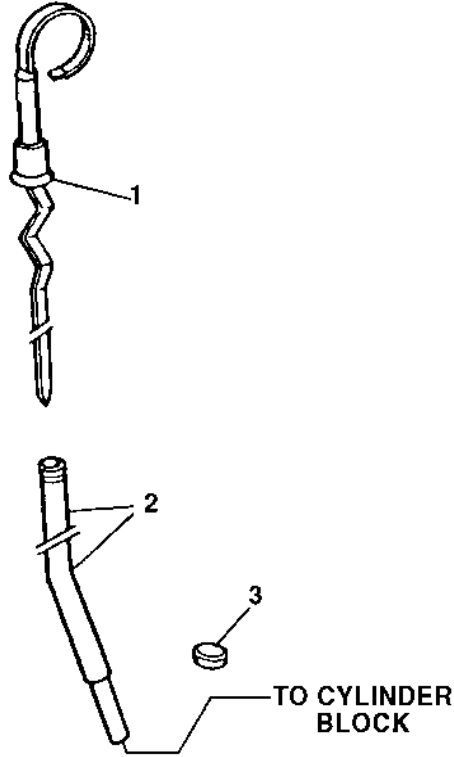
KEY	PART NO.	PART NAME	QTY	ENGINE SERIAL NO.	REMARKS
1	RE67238	SCREW	2		M8 X 20 (WITH PRE-APPLIED SEALANT)
2	R116296	COVER	1		
3	R136495	GASKET	2		
4A	CAP	1		(RE52326 NO LONGER AVAILABLE) (SUB RE500005)
4B	RE500005	FILLER CAP	1		
5	RE501377	FILLER NECK	1		(SUB FOR R136483)
6	RE503609	CAP SCREW	2		M8 X 100 (WITH PRE-APPLIED SEALANT) (SUB FOR RE71527, THIS APPLICATION)
7	R500001	PACKING	1		
8	R136514	SPACER	1		

1C20

ENGINE

ENGINE OIL DIPSTICK AND DIPSTICK TUBE

TP49875 -UN-19APR96

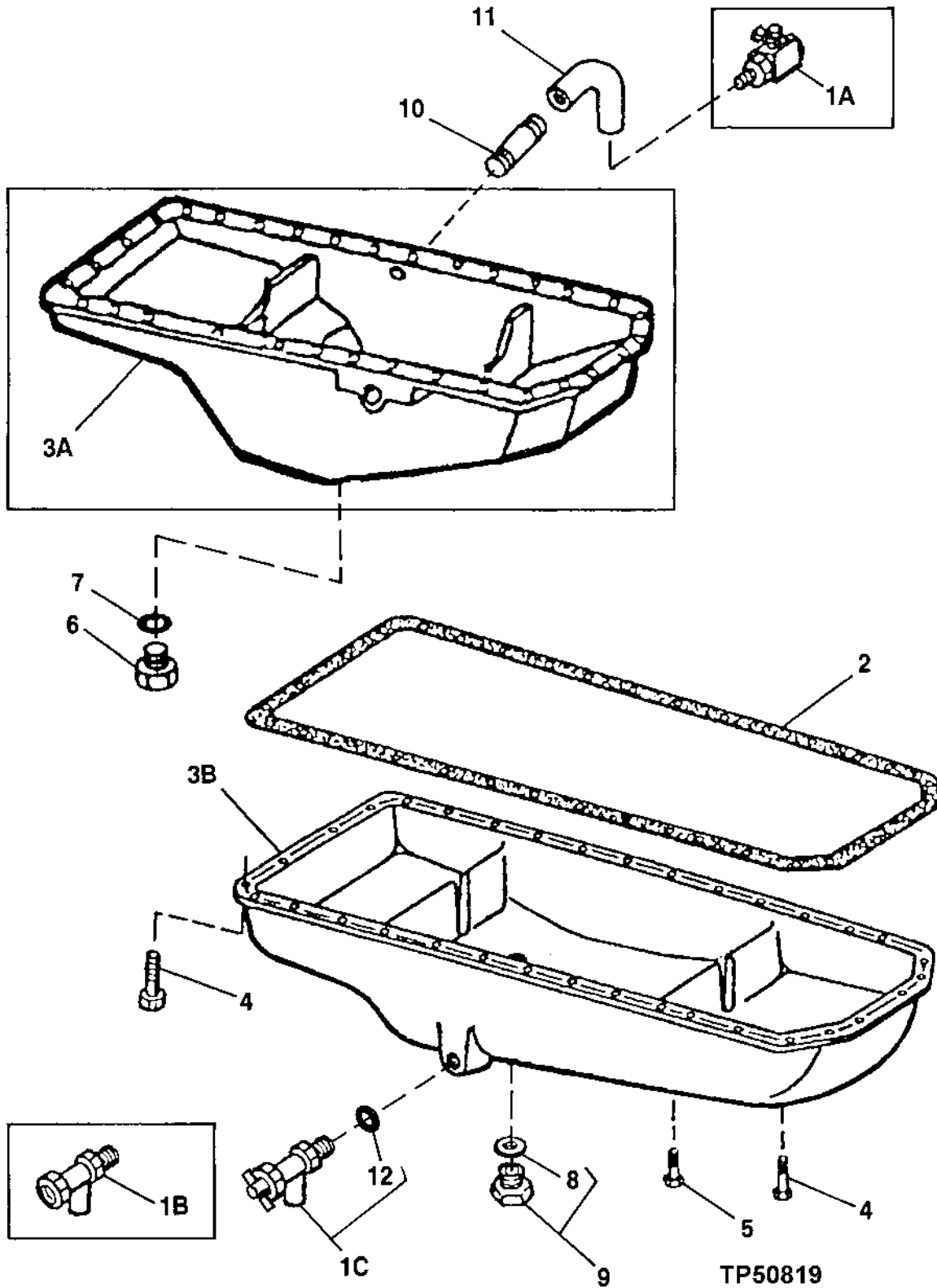


KEY	PART NO.	PART NAME	QTY	ENGINE SERIAL NO.	REMARKS
1	RE69243	DIPSTICK	1		
2	R130055	DIPSTICK TUBE	1		
3	R134240	PLUG	AR		

1C21

ENGINE

ENGINE OIL PAN AND DRAIN VALVE
TP50819 -UN-23APR98



1C22

ENGINE

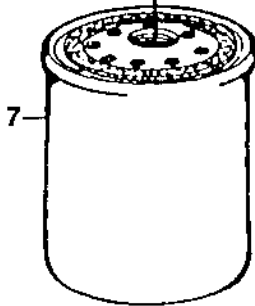
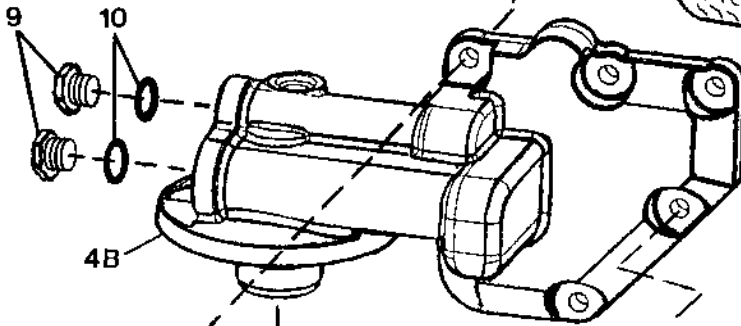
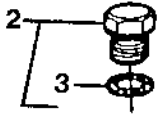
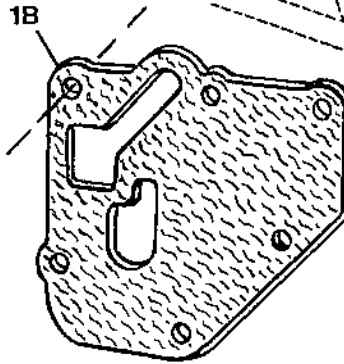
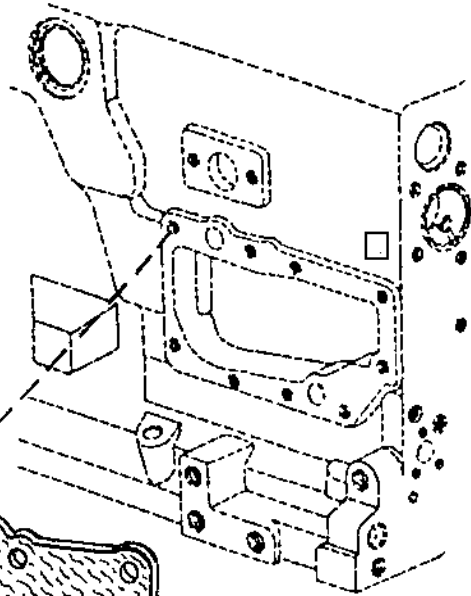
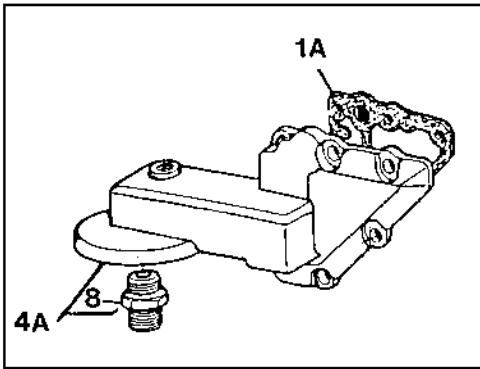
ENGINE OIL PAN AND DRAIN VALVE-CONTINUED

KEY	PART NO.	PART NAME	QTY	ENGINE SERIAL NO.	REMARKS
1A	RE38065	VALVE	1	-766854	(SUB RE32856, 15H594 AND 29H593)
	RE32856	VALVE	1		
1B	RE59579	DRAIN VALVE	1	766855-766855	
1C	RE502249	DRAIN VALVE	1	766855-	
2	R123354	GASKET	1		
3A	R135057	OIL PAN	1	-766854	
3B	R134725	OIL PAN	1	766855-	
4	19M7867	SCREW	26		M8 X 25
5	19M7799	SCREW	4		M8 X 45
6	M1746T	DRAIN PLUG	1	-766854	
7	T13213	WASHER	1	-766854	22.631 X 30.175 X 1.626 MM (57/64" X 1-3/16" X 0.064")
	51M7043	O-RING	1	-766854	15.300 X 2.200 MM
8	51M7043	O-RING	1	766855-	15.300 X 2.200 MM
9	RE46685	PLUG	1	766855-	
10	15H594	ELBOW FITTING	1		3/4", (USE WITH RE32856)
11	29H593	THREADED NIPPLE	1		1/2", (USE WITH RE32856)
12	51M7043	O-RING	1	766855-	15.300 X 2.200 MM

1C23

ENGINE

ENGINE OIL FILTER AND OIL FILTER ADAPTER
TP55368 -UN-04MAY98



TP55368

1C24

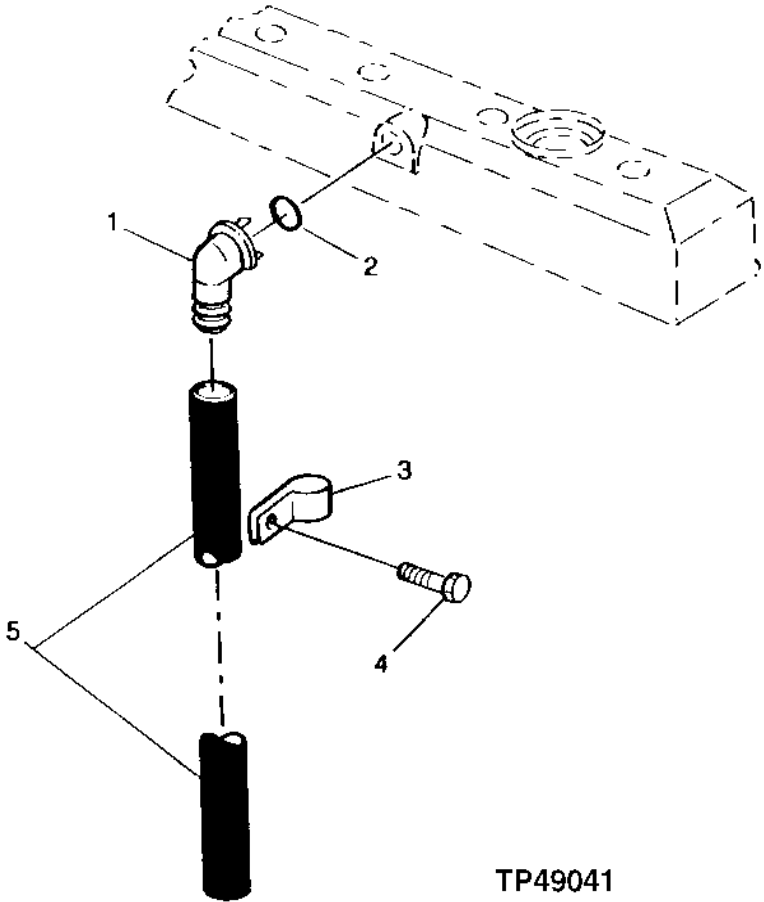
ENGINE

ENGINE OIL FILTER AND OIL FILTER ADAPTER- CONTINUED

KEY	PART NO.	PART NAME	QTY	ENGINE SERIAL NO.	REMARKS
1A	R123525	GASKET	1	-766854	
1B	R500374	GASKET	1	766855-	
2	RE46716	PLUG	AR		
3	51M7042	O-RING	1		13.300 X 2.200 MM
4A	RE59908	FILTER HEAD	1	-766854	(MARKED R123475) (SUB RE500133) (ALSO ORDER (2) R116115, (2) 51M7045 AND R500374)
4B	RE500133	FILTER HEAD	1	766855-	
5	19M7802	SCREW	5		M8 X 65
6	RE67238	SCREW	1		M8 X 20 (WITH PRE-APPLIED SEALANT)
7	RE59754	OIL FILTER	1		
8	ADAPTER	1	-766854	(R123591 NO LONGER AVAILABLE) (SUB RE59908)
9	R116115	FITTING	2	766855-	
10	51M7045	O-RING	2	766855-	

1D1

ENGINE VENTILATING SYSTEM
TP49041 -UN-06SEP95



1D2

ENGINE

ENGINE VENTILATING SYSTEM-CONTINUED

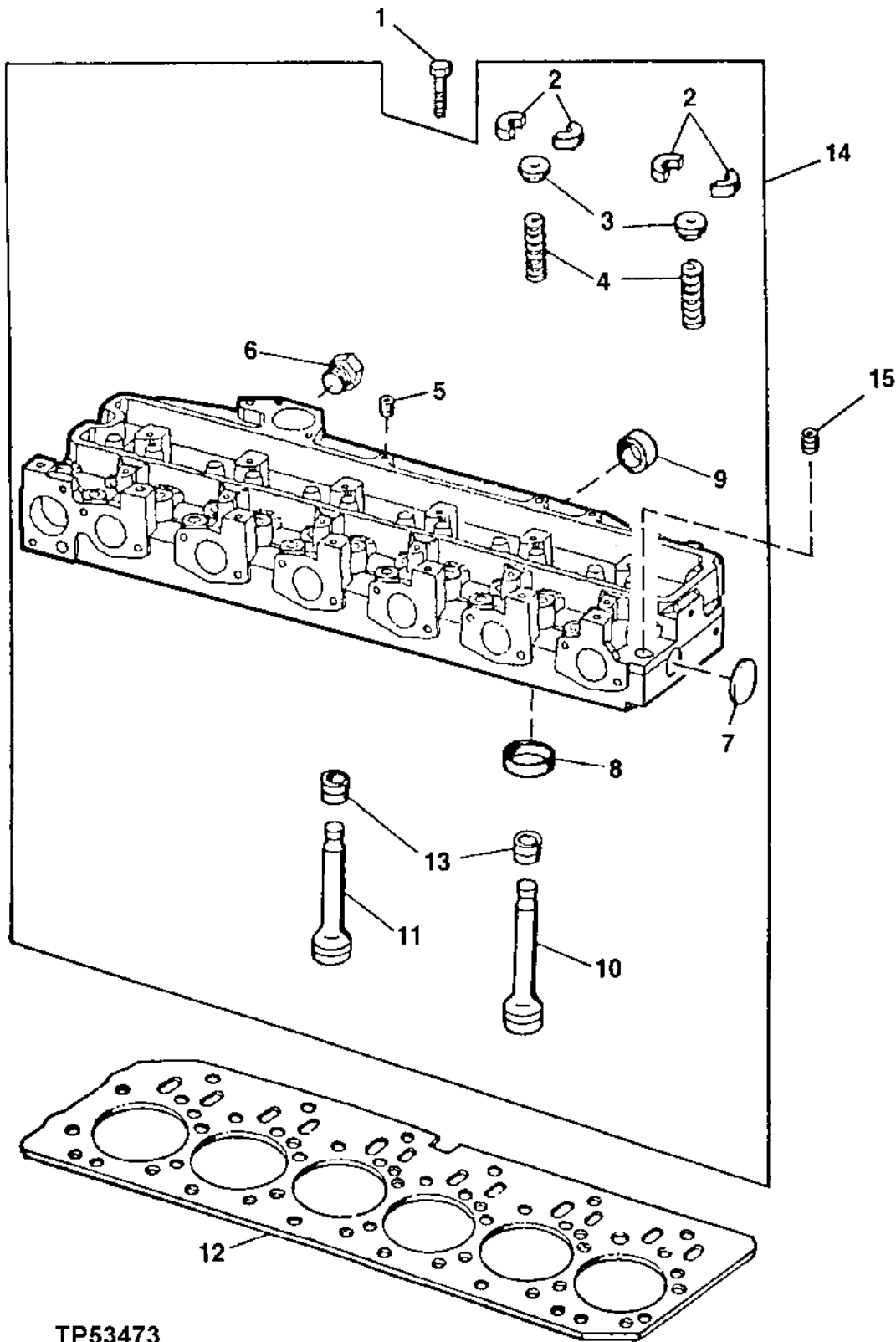
KEY	PART NO.	PART NAME	QTY	ENGINE SERIAL NO.	REMARKS
1	R120467	ELBOW FITTING	1		
2	R72328	O-RING	1		
3	R72659	CLAMP	1		18.720 X 2.616 MM (0.737" X 0.103")
4	19M7866	SCREW	1		M8 X 20
5	R134403	HOSE	1		

1D3

ENGINE

CYLINDER HEAD, HEAD GASKET AND VALVES

TP53473 -UN-07MAY97



TP53473

1D4

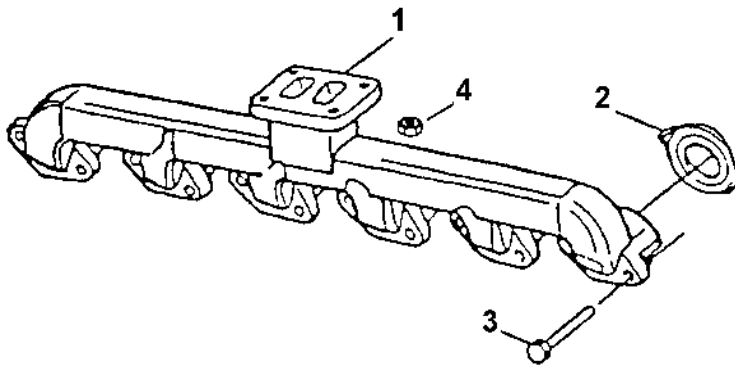
ENGINE

CYLINDER HEAD, HEAD GASKET AND VALVES - CONTINUED

KEY	PART NO.	PART NAME	QTY	ENGINE SERIAL NO.	REMARKS
1	R85363	CAP SCREW	26		
2	R91889	RETAINER	24		
3	RE60005	ROTATOR	12		
4	R26125	SPRING	12		
5	R104592	PIPE PLUG	1		
6	T58477	FITTING	1		
7	CD16284	CAP	1		
8	R98063	VALVE SEAT INSERT	6		STANDARD SIZE INTAKE VALVE
	R98335	VALVE SEAT INSERT	6		OVERSIZE INTAKE VALVE
	R85687	VALVE SEAT INSERT	6		STANDARD SIZE EXHAUST VALVE
	R93910	VALVE SEAT INSERT	6		OVERSIZE EXHAUST VALVE
9	R43409	CAP	3		
10	R90692	EXHAUST VALVE	6		STANDARD
11	R98062	INTAKE VALVE	6		STANDARD
12	R116516	ENGINE CYLINDER HEAD GASKET	1		
13	RE31617	SEAL	12		
14	RE57489	CYLINDER HEAD	1		(MARKED R121608)
15	15H624	PIPE PLUG	1		1/2"

EXHAUST MANIFOLD AND GASKET

TP55203 -UN-15SEP97

**TP55203**

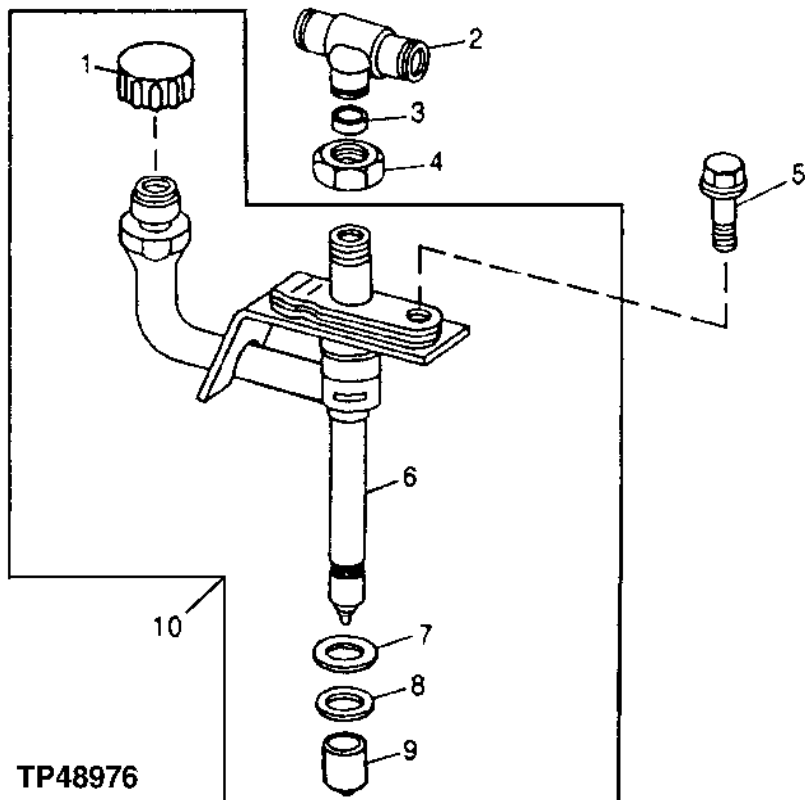
KEY	PART NO.	PART NAME	QTY	ENGINE SERIAL NO.	REMARKS
1	R132203	EXHAUST MANIFOLD	1		
2	R90658	GASKET	6		
3	19M7810	SCREW	12	M10 X 80	
4	14M7296	FLANGE NUT	4	M10	

1D6

ENGINE

FUEL INJECTION NOZZLE AND TEE FITTING

TP48976 -UN-26OCT96



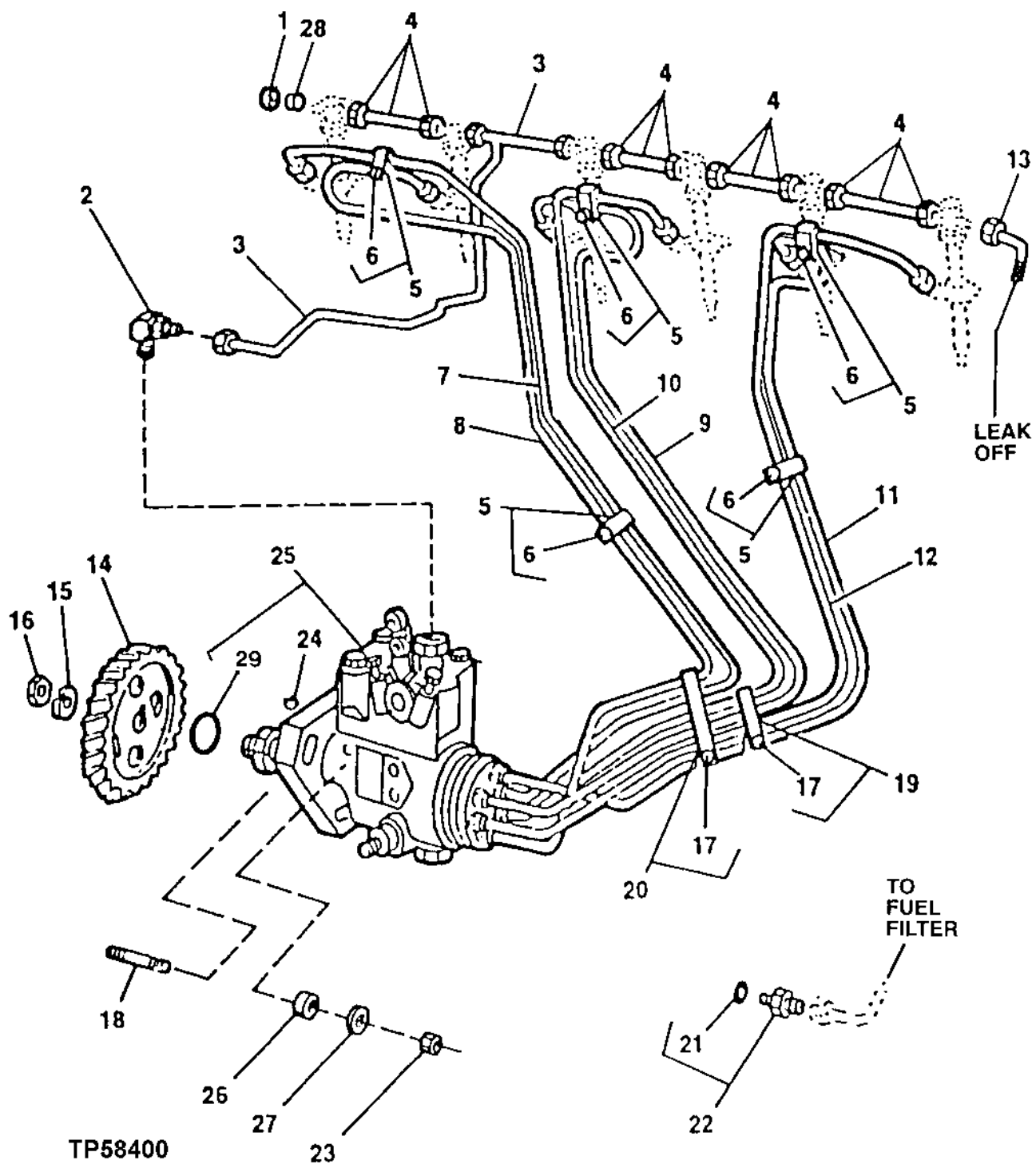
KEY	PART NO.	PART NAME	QTY	ENGINE SERIAL NO.	REMARKS
1	CAP/HAT	1		
2	R79606	TEE FITTING	1		
3	R79605	WASHER	1		
4	R79604	TUBE NUT	1		
5	R116366	SCREW	1		
6	NOZZLE	1		
7	R92352	PACKING	1		
8	R48000	WASHER	1		(USE WITH OVERSIZE NOZZLE BORE) (NOT INCLUDED WITH RE48786)
9	R500390	WASHER	1		(USE WITH STANDARD NOZZLE BORE)
	T24472	PLUG	1		
10	RE48786	INJECTION NOZZLE	1		

1D7

ENGINE

FUEL INJECTION PUMP AND FUEL INJECTION LINES

TP58400 -UN-15DEC98



FUEL INJECTION PUMP AND FUEL INJECTION LINES-CONTINUED

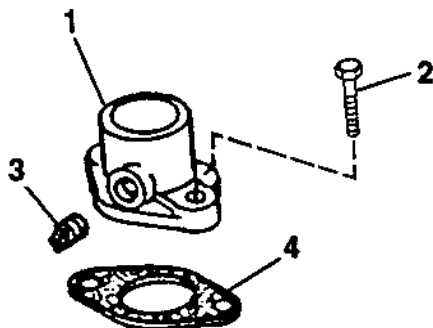
KEY	PART NO.	PART NAME	QTY	SERIAL NO.	REMARKS
1	AR85519	PLUG	1		
2	R67364	ELBOW FITTING	1		
3	RE70848	FUEL LINE	1		LEAK OFF
4	RE68748	TUBE	4		
	R123593	NUT	8		
	R51936	PACKING	8		
	R66090	TUBE	4		
5	RE19797	CLAMP	5		GREEN
6	19M7300	CAP SCREW	5		M6 X 10
7	RE60055	FUEL LINE	1		NO. 1
8	RE60056	FUEL LINE	1		NO. 2
9	RE60057	FUEL LINE	1		NO. 3
10	RE60058	FUEL LINE	1		NO. 4
11	RE60059	FUEL LINE	1		NO. 5
12	RE60060	FUEL LINE	1		NO. 6
13	RE503092	FUEL LINE	1		(SUB AR104650) LEAK-OFF
	R51936	PACKING	1		
	R51937	TUBE NUT	1		
	AR104650	FUEL LINE	1		
14	R132267	GEAR	1		(60 TEETH)
15	R132874	WASHER	1		
16	R91360	NUT	1		
17	19M7923	CAP SCREW	3		M6 X 12
18	R116386	STUD	3		
19	RE19799	CLAMP	1		
20	RE19800	CLAMP	1		
21	51M7040	O-RING	1		9.300 X 2.200 MM
22	RE60029	FITTING	1		
23	14M7273	NUT	3		M8
24	26H10	SHAFT KEY	1		
25	RE500753	FUEL INJECTION PUMP	1		(A) 12 VOLT, STANADYNE DB4
26	T27860	WASHER	3		
27	12M7065	LOCK WASHER	3		
28	R123593	NUT	1		
29	R502076	O-RING	1		(SUB FOR R89944)

(A) SEE YOUR AUTHORIZED PUMP REPAIR STATION FOR INTERNAL PARTS

1D9

ENGINE

AIR INTAKE MANIFOLD
TP53361 -UN-09NOV96



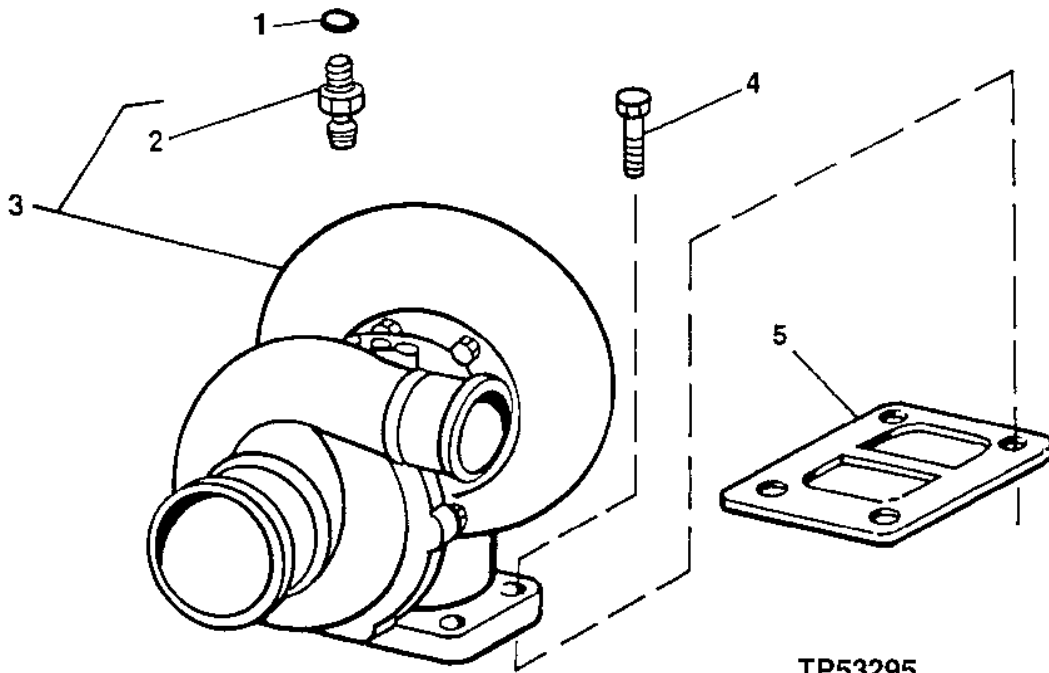
TP53361

KEY	PART NO.	PART NAME	QTY	ENGINE SERIAL NO.	REMARKS
1	R133187	INTAKE MANIFOLD	1		
2	R500394	SCREW	2		
3	RE60071	FITTING	1		
4	R81275	GASKET	1		

1D10

ENGINE

TURBOCHARGER AND GASKET
 TP53295 -UN-02JUL96



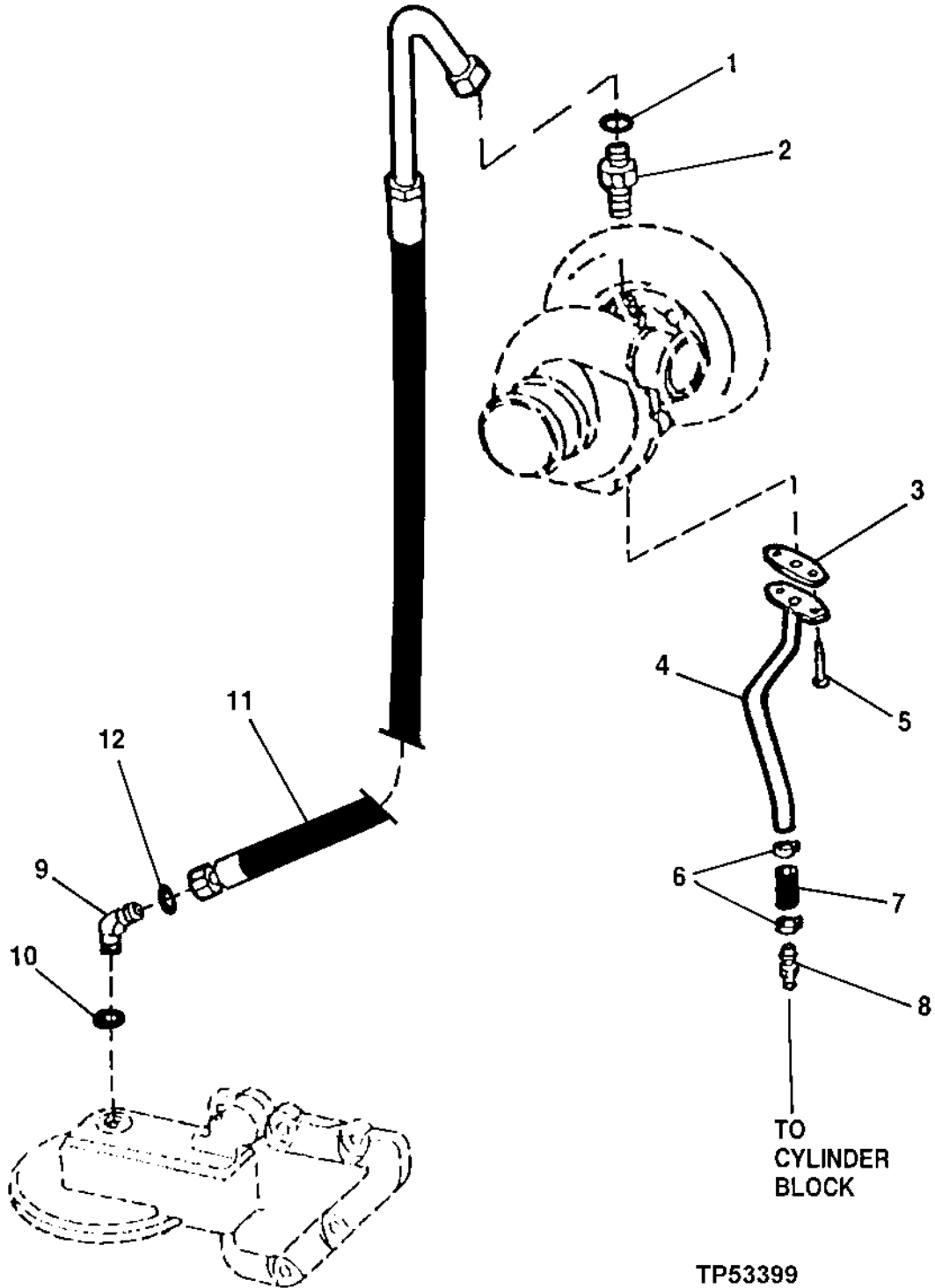
KEY	PART NO.	PART NAME	QTY	ENGINE SERIAL NO.	REMARKS
1	R63548	O-RING	1		
2	M87733	ADAPTER	1		
3	RE60075	TURBOCHARGER	1		REMANUFACTURED
	RE26409	KIT	1		NOT ILLUSTRATED
4	19M8162	CAP SCREW	4		M10 X 40
5	R123572	GASKET	1		

1D11

ENGINE

TURBOCHARGER OIL LINES AND FITTINGS

TP53399 -UN-17FEB97



1D12

ENGINE

TURBOCHARGER OIL LINES AND FITTINGS-CONTINUED

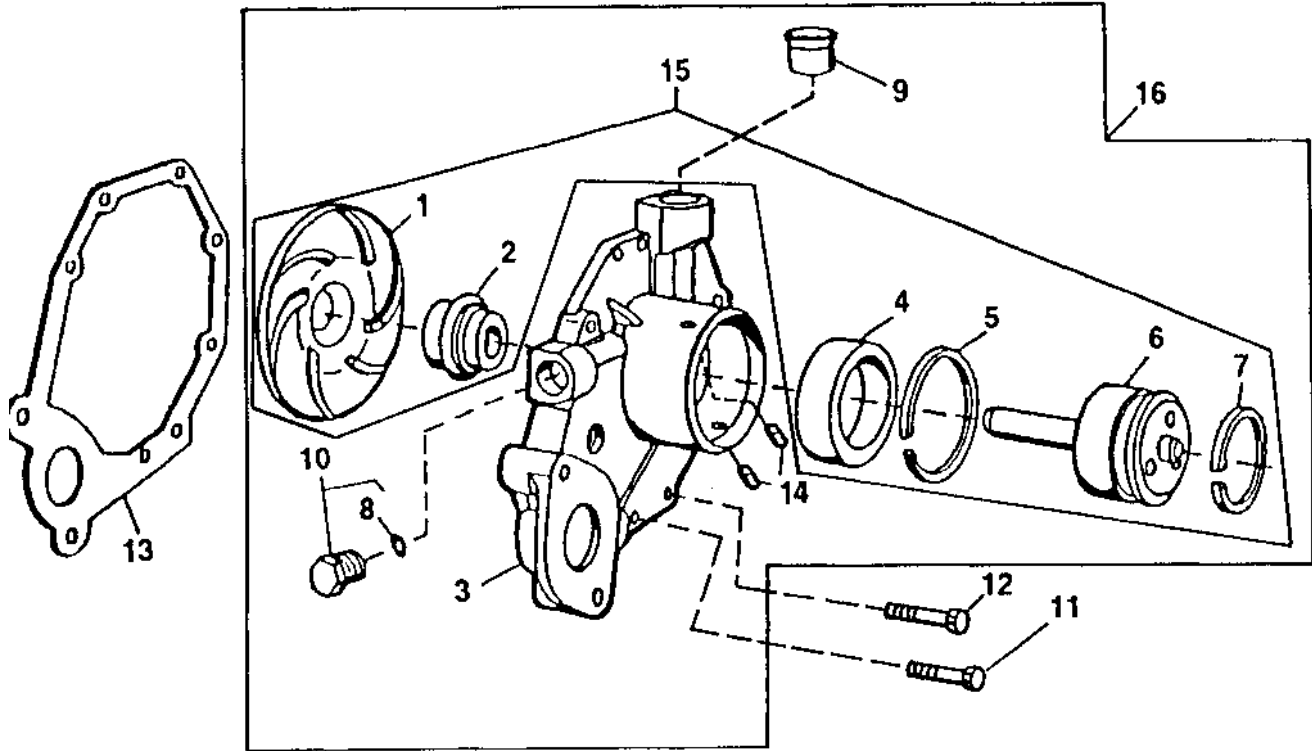
KEY	PART NO.	PART NAME	QTY	ENGINE SERIAL NO.	REMARKS
1	R63548	O-RING	1		
2	M87733	ADAPTER	1		
3	R123570	GASKET	1		
4	RE59438	OIL LINE	1		
5	19M7866	SCREW	2	M8 X 20	
6	RE65978	CLAMP	1		
7	HOSE	1		(MAKE FROM R120013,CUT TO LENGHT)
8	RE54885	HOSE FITTING	1		(SUB FOR R120757)
9	38H5154	ELBOW FITTING	1		45°
10	51M7042	O-RING	1		
11	RE502239	OIL LINE	1		(SUB FOR RE59468)
12	T77613	O-RING	1		

1D13

ENGINE

WATER PUMP ASSEMBLY AND REPAIR KIT

TP50847 -UN-16JUN98



TP50847

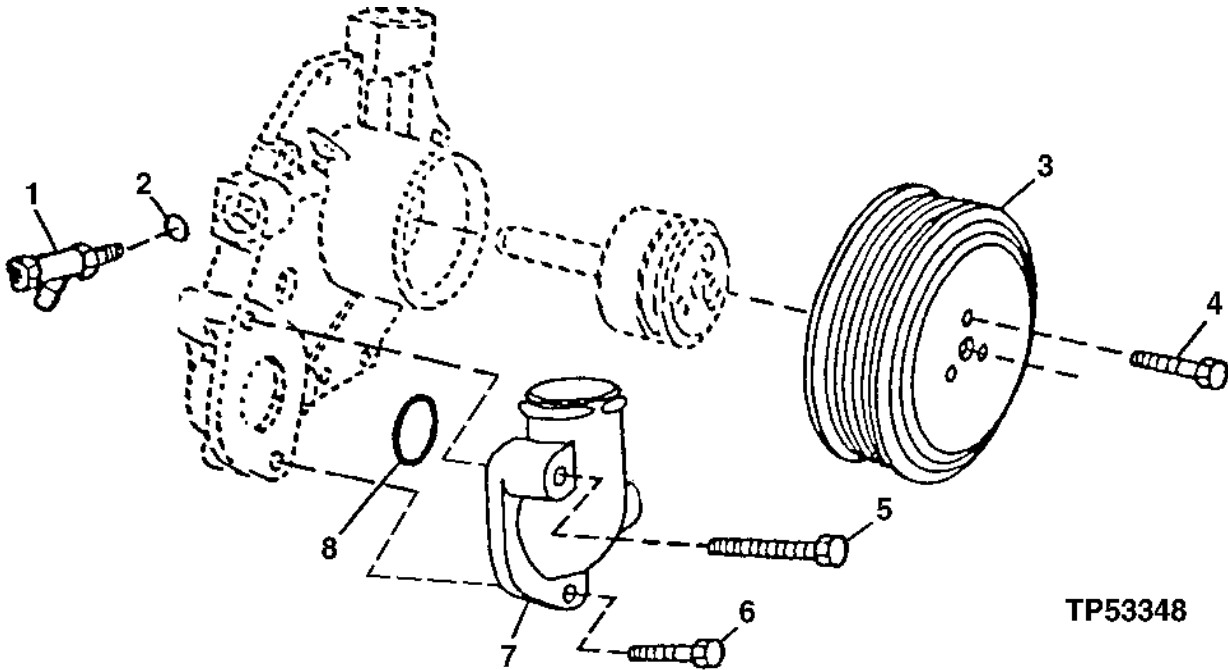
KEY	PART NO.	PART NAME	QTY	ENGINE SERIAL NO.	REMARKS
1	IMPELLER	1	(MARKED R121036)	
2	SEAL	1		
3	HOUSING	1		
4	BALL BEARING	1		
5	RING	1		
6	SHAFT	1		
7	A364R	SNAP RING	1		
8	51M7043	O-RING	1	15.300 X 2.200 MM	
9	R123226	GASKET	1		
10	RE46685	PLUG	1		
11	19M7796	SCREW	3	M6 X 30	
12	19M7863	SCREW	5	M6 X 25	
13	R123417	GASKET	1		
14	R100369	FILTER	2		
15	RE71240	KIT	1	REPAIR	
16	RE500737	WATER PUMP	1	(MARKED RE500737)	

1D14

ENGINE

WATER PUMP INLET AND DRIVE BELT PULLEY

TP53348 -UN-20NOV96

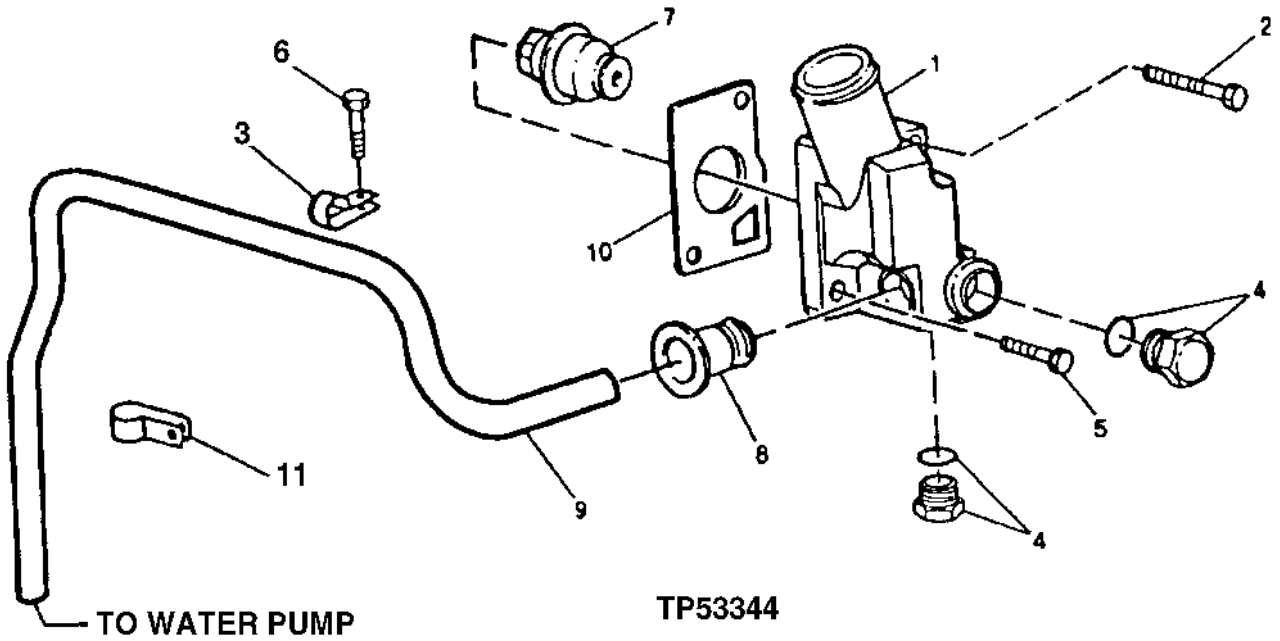


KEY	PART NO.	PART NAME	QTY	ENGINE SERIAL NO.	REMARKS
1	RE59579	DRAIN VALVE	1		
2	51M7043	O-RING	1	15.300 X 2.200 MM	
3	R121038	SHEAVE	1		
	R115250	SHEAVE	1		
4	19M7774	SCREW	3	M6 X 12	
5	19M7802	SCREW	1	M8 X 65	
6	19M7867	SCREW	1	M8 X 25	
7	R121635	HOUSING	1		
8	R89944	O-RING	1		

1D15

ENGINE

ENGINE THERMOSTAT HOUSING,COVER,TUBE AND THERMOSTAT
TP53344 -UN-07NOV96



1D16

ENGINE

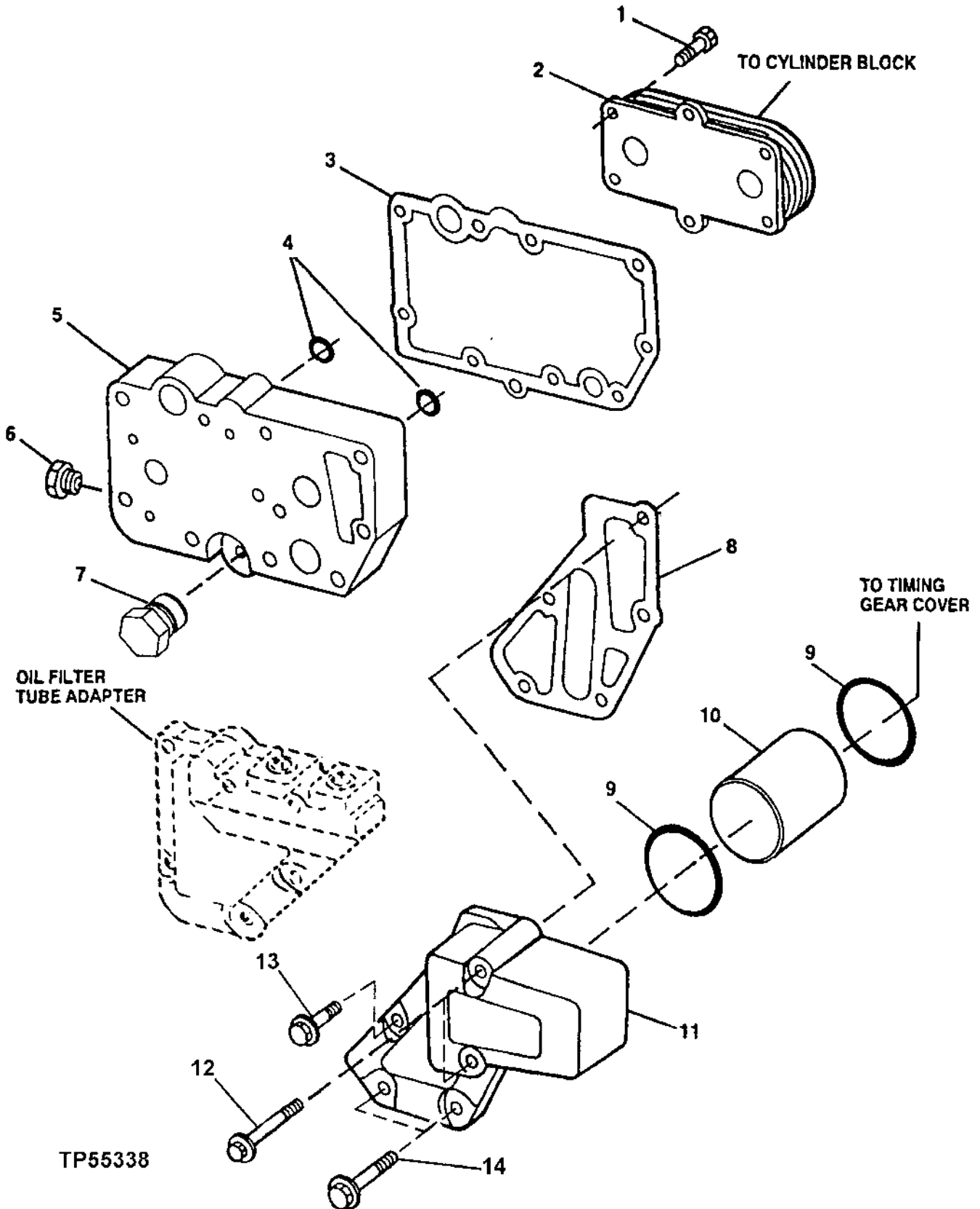
ENGINE THERMOSTAT HOUSING,COVER,TUBE AND THERMOSTAT

KEY	PART NO.	PART NAME	QTY	ENGINE SERIAL NO.	REMARKS
1	R131016	COVER	1		(SUB FOR R121416)
2	19M8292	SCREW	1		M10 X 50
3	R123323	CLAMP	1		
4	RE46684	PLUG	2		
5	19M7786	SCREW	1		M10 X 30
6	19M7788	SCREW	1		M12 X 25
7	RE64354	THERMOSTAT	1		82° C (180° F)
8	R123226	GASKET	1		
9	R501144	TUBE	1		(SUB FOR R123588)
10	R135896	GASKET	1		
11	R123324	CLAMP	1		

1D17

ENGINE

ENGINE OIL COOLER AND ADAPTER
TP55338 -UN-08APR98



1D18

ENGINE

ENGINE OIL COOLER AND ADAPTER-CONTINUED

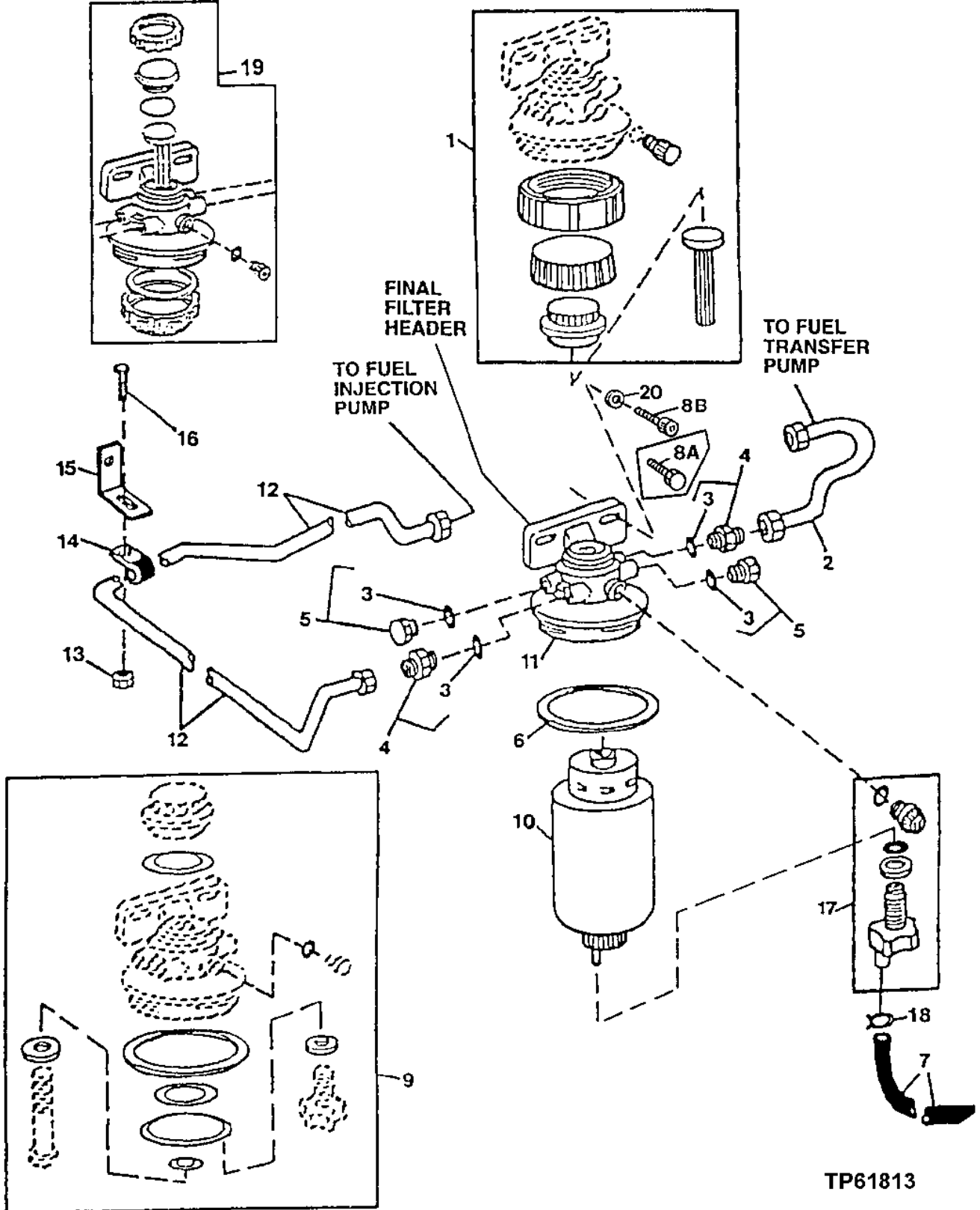
KEY	PART NO.	PART NAME	QTY	ENGINE SERIAL NO.	REMARKS
1	RE67231	SCREW	6		M6 X 16 (WITH PRE-APPLIED SEALANT)
2	RE59296	OIL COOLER	1		(5 PLATE) (SUB FOR RE56690, THIS APPLICATION) (7 PLATE)
3	R123501	GASKET	1		
4	T122075	O-RING	2		
5	R123471	HOUSING	1		
6	RE46685	PLUG	1		
7	RE46686	PLUG	1		
8	R123502	GASKET	1		
9	R61105	O-RING	2		
10	R115252	TUBE	1		
11	R135177	ADAPTER	1		
12	19M7802	SCREW	2		M8 X 65
13	19M7970	SCREW	2		M8 X 100
14	RE67238	SCREW	1		(WITH PRE-APPLIED SEALANT)
15	19M7802	SCREW	4		M8 X 65
16	19M7970	SCREW	1		M8 X 100
17	RE67238	SCREW	1		

1D19

ENGINE

FUEL FILTER, FUEL FILTER SERVICE KITS AND FUEL FILTER LINES

TP61813 -UN-14JUL99



1D20

ENGINE

FUEL FILTER,FUEL FILTER SERVICE KITS AND FILTER LINES

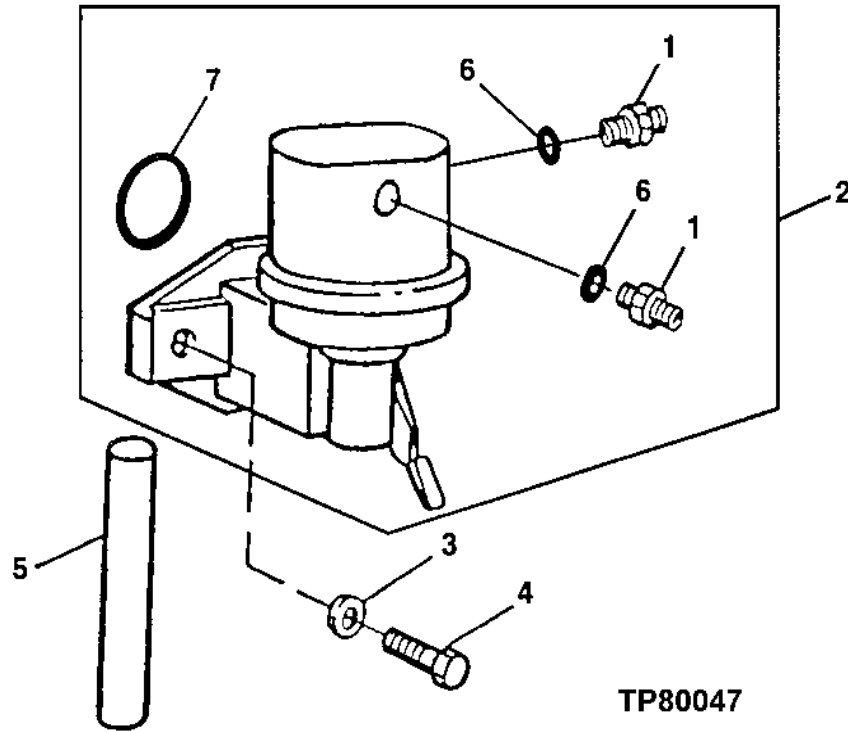
KEY	PART NO.	PART NAME	QTY	ENGINE SERIAL NO.	REMARKS
1	RE51649	SEAL KIT	1		MECHANICAL
2	RE60037	FUEL LINE	1		
	R74012	SEALING WASHER	2		
3	51M7040	O-RING	1		
4	RE60029	FITTING	2		
5	RE46686	PLUG	2		
6	R113565	O-RING	1		
7	HOSE	1		(MAKE FROM R126086)CUT TO LENGTH
8A	19M7785	SCREW	2	-795805	M10 X 25
8B	19M8328	SCREW	2	795806-	M10 X 25
9	RE50752	SEAL KIT	1		FUEL FILTER
10	RE62419	FUEL FILTER	1		(INCLUDES DRAIN VALVE)
11	RE60022	FILTER HEAD	1		(SUB RE500160)
12	RE60026	FUEL LINE	1		
13	14M7298	FLANGE NUT	1		M8
14	T14050	CLAMP	1		
15	R116116	BRACKET	1		
16	19M7865	SCREW	1		M8 X 16
17	RE60854	KIT	1		PLUG AND DRAIN
18	T13254	CLAMP	1		
19	RE500160	KIT	1		FINAL FILTER
20	24M7096	WASHER	2	795806-	10.500 X 18 X 1.600 MM

1D21

ENGINE

FUEL TRANSFER PUMP AND TRANSFER PUMP PUSH ROD

TP80047 -UN-15JAN99



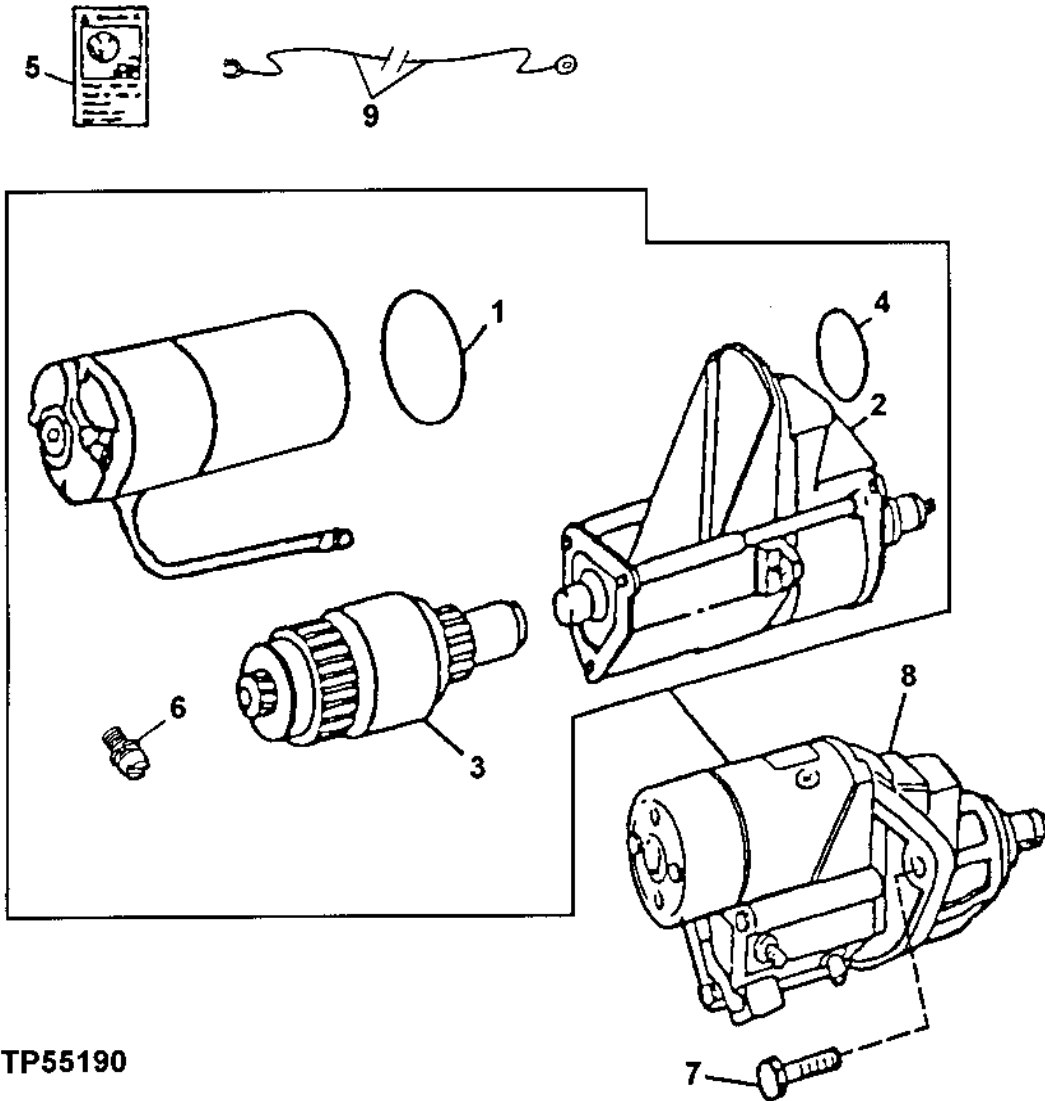
KEY	PART NO.	PART NAME	QTY	ENGINE SERIAL NO.	REMARKS
1	R500270	FITTING	2		
2	RE66153	FUEL PUMP	1		
3	24M7055	WASHER	2	8.400 X 16 X 1.600 MM	
4	RE66298	CAP SCREW	2		
5	R133405	ROD	1		
6	R500271	O-RING	2		
7	R123273	O-RING	1		

MEMORANDA

1D22

ENGINE

STARTING MOTOR 12-VOLT NIPPONDENSO
TP55190 -UN-04SEP97



TP55190

1D23

ENGINE

STARTING MOTOR 12-VOLT NIPPONDONSO-CONTINUED

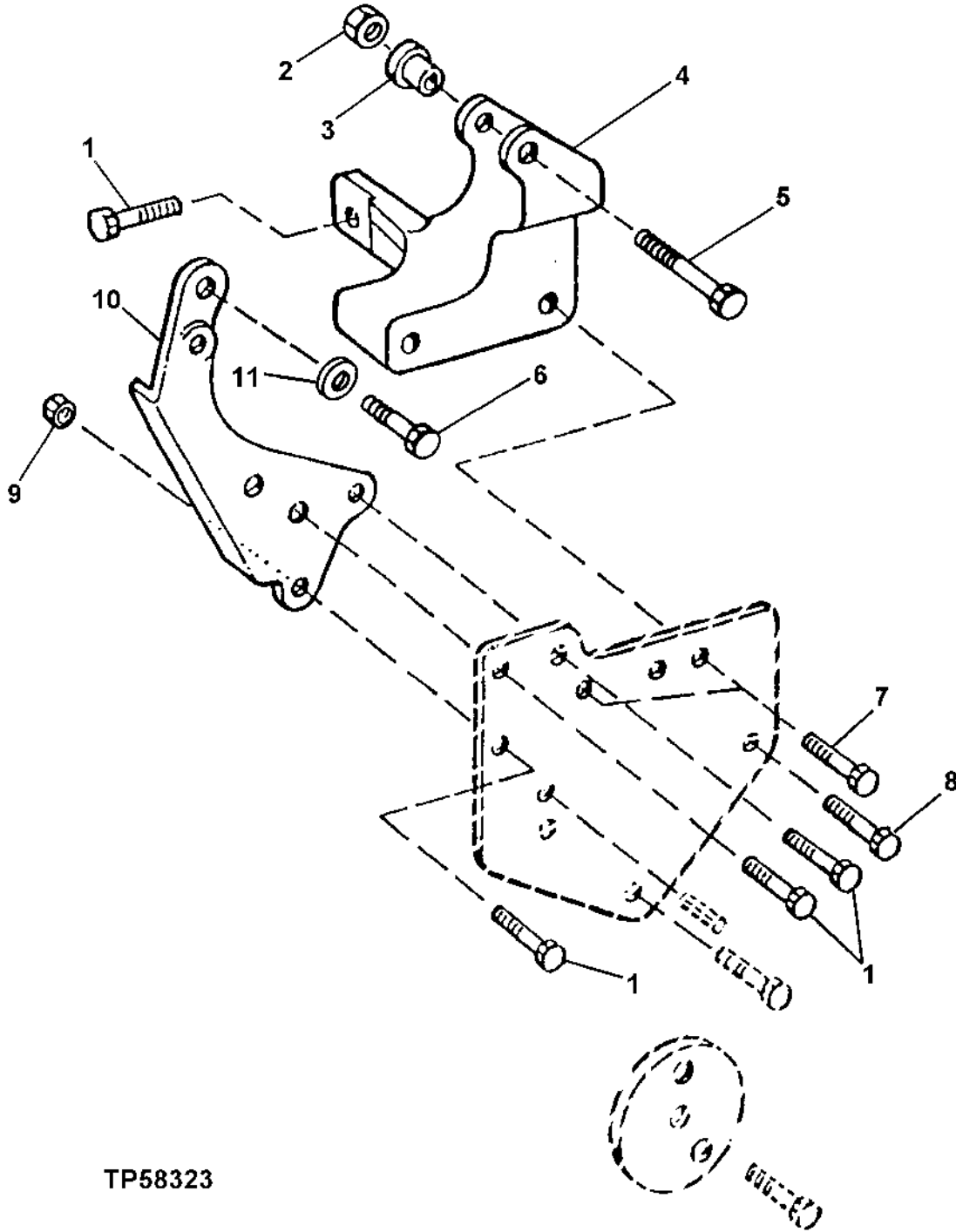
KEY	PART NO.	PART NAME	QTY	ENGINE SERIAL NO.	REMARKS
1	R135510	O-RING	1		
2	RE70486	SWITCH	1		
3	RE70487	CLUTCH	1		
4	R135509	SEAL	1		
5	T146102	LABEL	1		BYPASS START
6	RE71256	SCREW, WITH WASHER	1		12-VOLT NIPPONDONSO
7	19M7786	SCREW	3		M10 X 30
8	RE70957	STARTER MOTOR KIT	1		
9	AH155483	WIRING LEAD	1		

1D24

ENGINE

ALTERNATOR MOUNTING BRACKET AND ADJUSTING STRAP

TP58323 -UN-22SEP98



TP58323

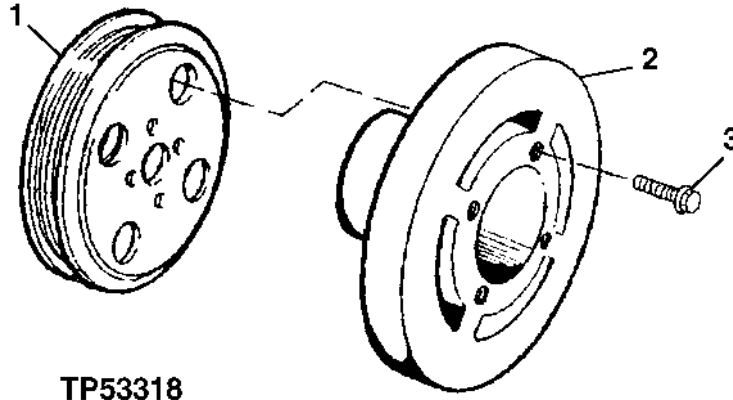
1D25

ENGINE

ALTERNATOR MOUNTING BRACKET AND ADJUSTING STRAP-CONTINUED

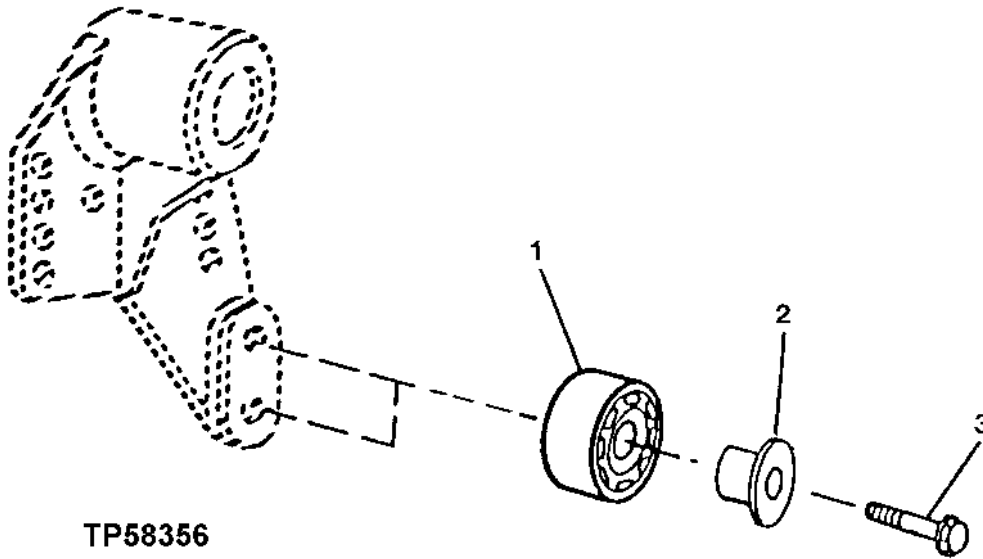
KEY	PART NO.	PART NAME	QTY	ENGINE SERIAL NO.	REMARKS
1	19M7786	SCREW	5	M10 X 30	
2	14M7296	FLANGE NUT	1	M10	
3	R100377	BUSHING	1		
4	R132166	BRACKET	1		
5	19M7812	SCREW	1	M10 X 100	
6	19M7867	SCREW	1	M8 X 25	
7	19M7785	SCREW	2	M10 X 25	
8	19M7801	SCREW	1	M8 X 60	
9	14M7296	FLANGE NUT	3	M10	
10	R132167	STRAP	1		
11	R48808	WASHER	1		

CRANKSHAFT PULLEY AND DAMPENER
 TP53318 -UN-21AUG96



KEY	PART NO.	PART NAME	QTY	ENGINE SERIAL NO.	REMARKS
1	R133296	PULLEY	1		
2	RE59355	TORSIONAL DAMPENER	1		
3	R121897	CAP SCREW	4		

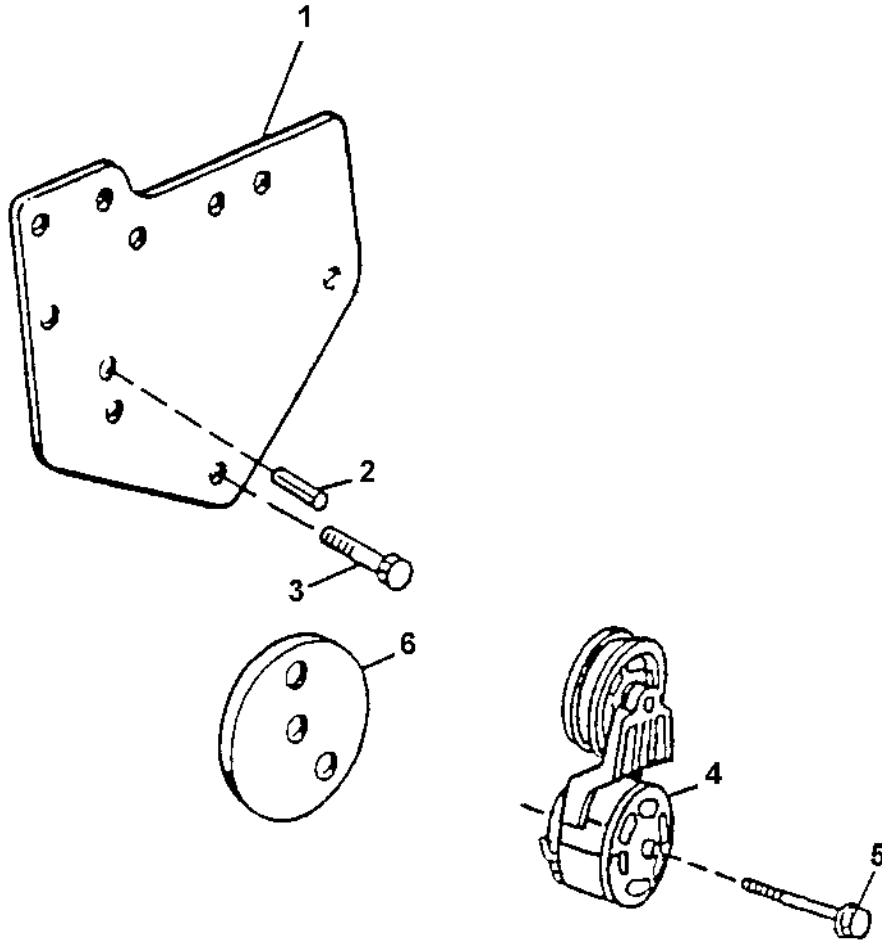
FAN AND DRIVE BELT IDLER PULLEY
 TP58356 -UN-15DEC98



TP58356

KEY	PART NO.	PART NAME	QTY	ENGINE SERIAL NO.	REMARKS
1	RE68722	PULLEY	1		(SUB FOR RE51281)
2	R502079	SLEEVE	1		(SUB FOR R500352 AND R107749, THIS APPLICATION)
3	19M7811	SCREW	1		M10 X 90

FAN DRIVE SUPPORT AND DRIVE BELT TENSIONER
TP55187 -UN-25AUG97



TP55187

1E4

ENGINE

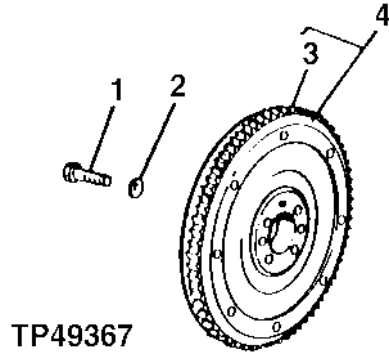
FAN DRIVE SUPPORT AND DRIVE BELT TENSIONER-CONTINUED

KEY	PART NO.	PART NAME	QTY	ENGINE SERIAL NO.	REMARKS
1	R132168	SUPPORT	1		
2	34M7061	SPRING PIN	1		
3	19M7801	SCREW	1		8 X 20 MM M8 X 60, WITH SHAFT
4	RE59702	SHEAVE	1		
5	19M7810	SCREW	1		M10 X 80
6	R500321	SPACER	1		

1E5

ENGINE

ENGINE FLYWHEEL
TP49367 -UN-18JAN96



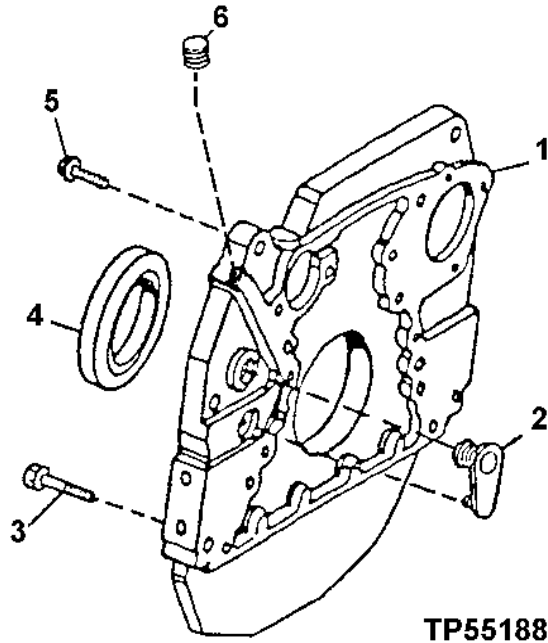
KEY	PART NO.	PART NAME	QTY	ENGINE SERIAL NO.	REMARKS
1	19M7363	CAP SCREW	6	M12 X 60	
2	T77258	WASHER	6		
3	R28811	RING GEAR	1	(129 TEETH)	
4	RE59315	FLYWHEEL	1	(MARKED R123198)	

1E6

ENGINE

FLYWHEEL HOUSING AND CRANKSHAFT REAR OIL SEAL

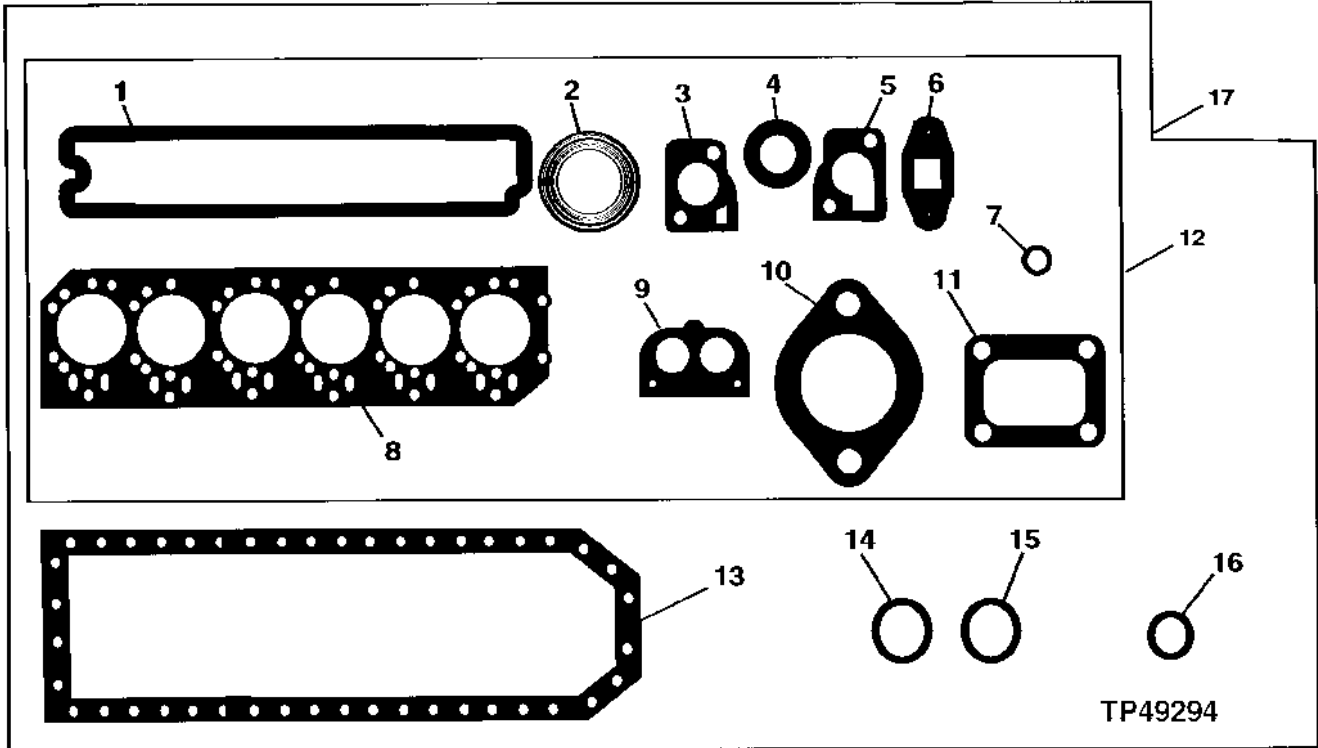
TP55188 -UN-05SEP97



KEY	PART NO.	PART NAME	QTY	ENGINE SERIAL NO.	REMARKS
1	R122183	HOUSING	1		
2	R131769	PLUG	1		
3	19M7813	SCREW	4	M12 X 45	
4	RE44574	SEAL	1		
5	R135918	BOLT	8		
6	15H562	PIPE PLUG	1	1"	

CYLINDER HEAD REMOVAL AND IN VEHICLE OVERHAUL GASKET SETS

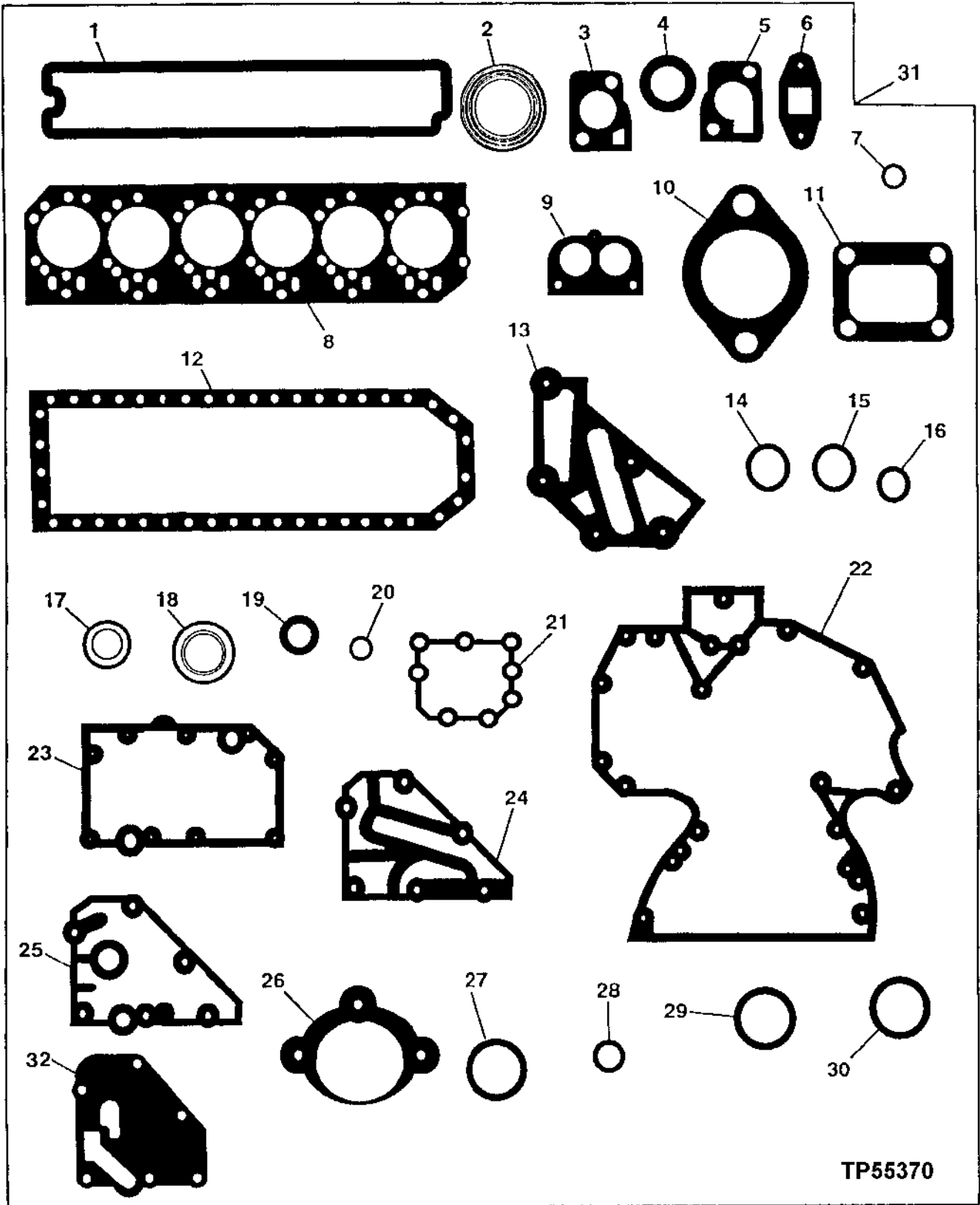
TP49294 -UN-28SEP95



KEY	PART NO.	PART NAME	QTY	ENGINE SERIAL NO.	REMARKS
1	R123543	GASKET	1		ROCKER ARM COVER
2	R90658	GASKET	6		EXHAUST MANIFOLD
3	R135896	GASKET	1		(SUB FOR R121416) THERMOSTAT COVER
4	R123226	GASKET	2		WATER BY-PASS TUBE
5	R123345	GASKET	1		THERMOSTAT HOUSING
6	R123570	GASKET	1		TURBOCHARGER OIL OUTLET LINE
7	R123575	O-RING	6		ROCKER ARM COVER HOLD DOWN STUD
8	R116516	ENGINE CYLINDER HEAD GASKET	1		CYLINDER HEAD
9	R501373	GASKET	1		THERMOSTAT COVER, (SUB FOR R54638)
10	R81275	GASKET	1		AIR INLET
11	R123572	GASKET	1		TURBOCHARGER TO EXHAUST MANIFOLD
12	RE66083	GASKET KIT	1		CYLINDER HEAD REMOVAL
13	R123354	GASKET	1		ENGINE OIL PAN
14	R75892	GASKET	1		OIL PUMP TUBE CONNECTOR
15	R97185	O-RING	1		OIL PUMP OUTLET TUBE TO COVER
16	R61871	O-RING	1		OIL PUMP INTAKE TUBE TO COVER
17	RE66085	GASKET KIT	1		IN CHASSIS OVERHAUL

MEMORANDA

ENGINE MAJOR OVERHAUL GASKET SET-CONTINUED
TP55370 -UN-11MAY98



TP55370

ENGINE MAJOR OVERHAUL GASKET SET

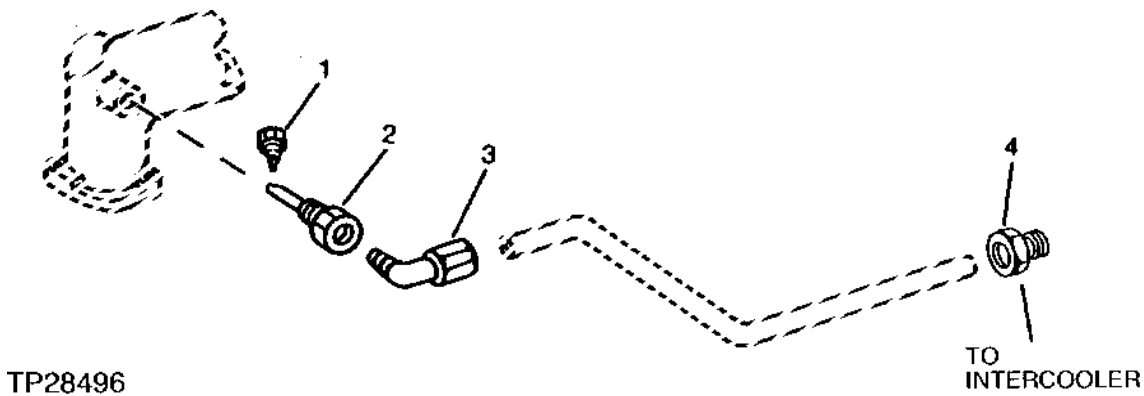
KEY	PART NO.	PART NAME	QTY	ENGINE SERIAL NO.	REMARKS
1	R123543	GASKET	1		ROCKER ARM COVER
2	R90658	GASKET	6		EXHAUST MANIFOLD
3	R135896	GASKET	1		(SUB FOR R121416) THERMOSTAT COVER
4	R123226	GASKET	2		WATER BY-PASS TUBE
5	R123345	GASKET	1		THERMOSTAT HOUSING
6	R123570	GASKET	1		TURBOCHARGER OIL OUTLET TUBE
7	R123575	GASKET	4		ROCKER ARM COVER HOLD DOWN STUD
8	R116516	GASKET	1		CYLINDER HEAD
9	R501373	GASKET	1		(SUB FOR R54638) THERMOSTAT COVER
10	R81275	GASKET	1		AIR INLET
11	R123572	GASKET	1		TURBOCHARGER TO EXHAUST MANIFOLD
12	R123354	GASKET	1		ENGINE OIL PAN
13	R123502	GASKET	1		COOLANT PASSAGE ADAPTER
14	R75892	O-RING	1		OIL PUMP TUBE CONNECTOR
15	R97185	O-RING	2		OIL PUMP OUTLET TUBE TO COVER
16	R61871	O-RING	1		OIL PUMP INTAKE TUBE
17	A4827R	WASHER	1		OIL PRESSURE REGULATOR PLUG
18	RE44574	SEAL	1		REAR OIL SEAL
19	RE59810	SEAL KIT	1		FRONT OIL SEAL
20	R123273	O-RING	1		FUEL TRANSFER PUMP
21	R123417	GASKET	1		WATER PUMP
22	R136516	GASKET	AR		TIMING GEAR COVER, (SUB FOR R123421 AND R134534)
	R136515	GASKET	AR		(SUB FOR R123425 AND R134533) TIMING GEAR COVER FOR AUXILIARY DRIVE (NOT ILLUSTRATED)
23	R123501	GASKET	1		OIL COOLER HOUSING
24	R123504	GASKET	1		REMOTE OIL FILTER ADAPTER
25	R123525	GASKET	1	-766852	OIL FILTER HEADER
26	R53108	GASKET	1		STARTING MOTOR
27	R72328	O-RING	4		REMOTE OIL FILTER TUBES
28	R89944	O-RING	1		WATER PUMP INLET
29	R61105	O-RING	2		CONNECTOR TUBE TO TIMING GEAR COVER
30	T122075	O-RING	2		OIL COOLER TO HOUSING
31	RE501456	GASKET KIT	1		(SUB FOR RE66087) ENGINE MAJOR OVERHAUL
	RE66097	ENGINE OVERHAUL KIT	1		(INCLUDES ENGINE OVERHAUL GASKET SET,ENGINE CONNECTING ROD BEARINGS,ENGINE MAIN BEARINGS,AND PISTON AND CYLINDER LINER KITS)
32	R500374	GASKET	1	766853-	OIL FILTER HEADER
33	RE501456	GASKET KIT	1		(SUB FOR RE66087) ENGINE MAJOR OVERHAUL
	RE66097	ENGINE OVERHAUL KIT	1		(NOT ILLUSTRATED) (INCLUDES ENGINE MAJOR OVERHAUL GASKET SET,ENGINE CONNECTING ROD BEARINGS,ENGINE MAIN BEARINGS,AND PISTON AND CYLINDER LINER KITS)(ORDER ONE KIT PER ENGINE)

1E10

ENGINE

STARTING AID CONNECTORS

TP28496 -UN-01JAN94

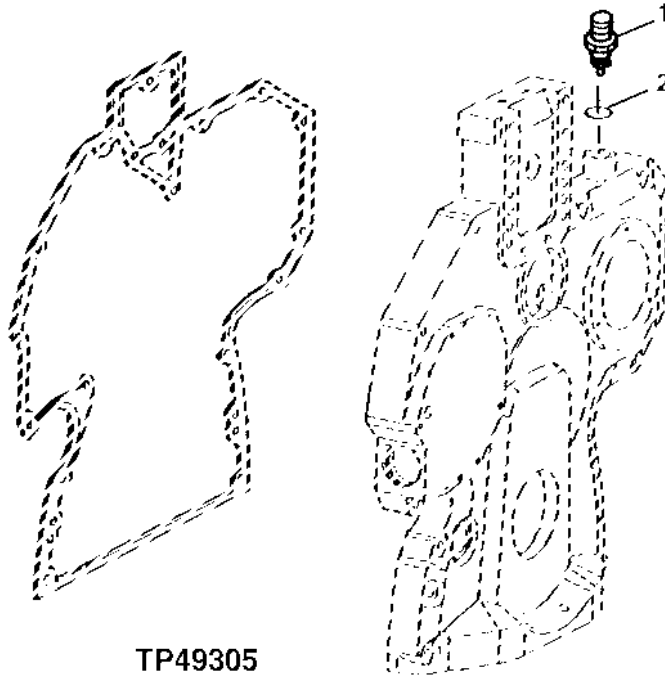


KEY	PART NO.	PART NAME	QTY	ENGINE SERIAL NO.	REMARKS
1	R28583	NOZZLE	1		
2	R47160	NOZZLE HOLDER	1		
3	RE21790	ELBOW FITTING	1		
4	T27986	FITTING	1		
5	15H623	PIPE PLUG	1		

1E11

ENGINE

ENGINE TACHOMETER SENSOR
TP49305 -UN-04OCT95

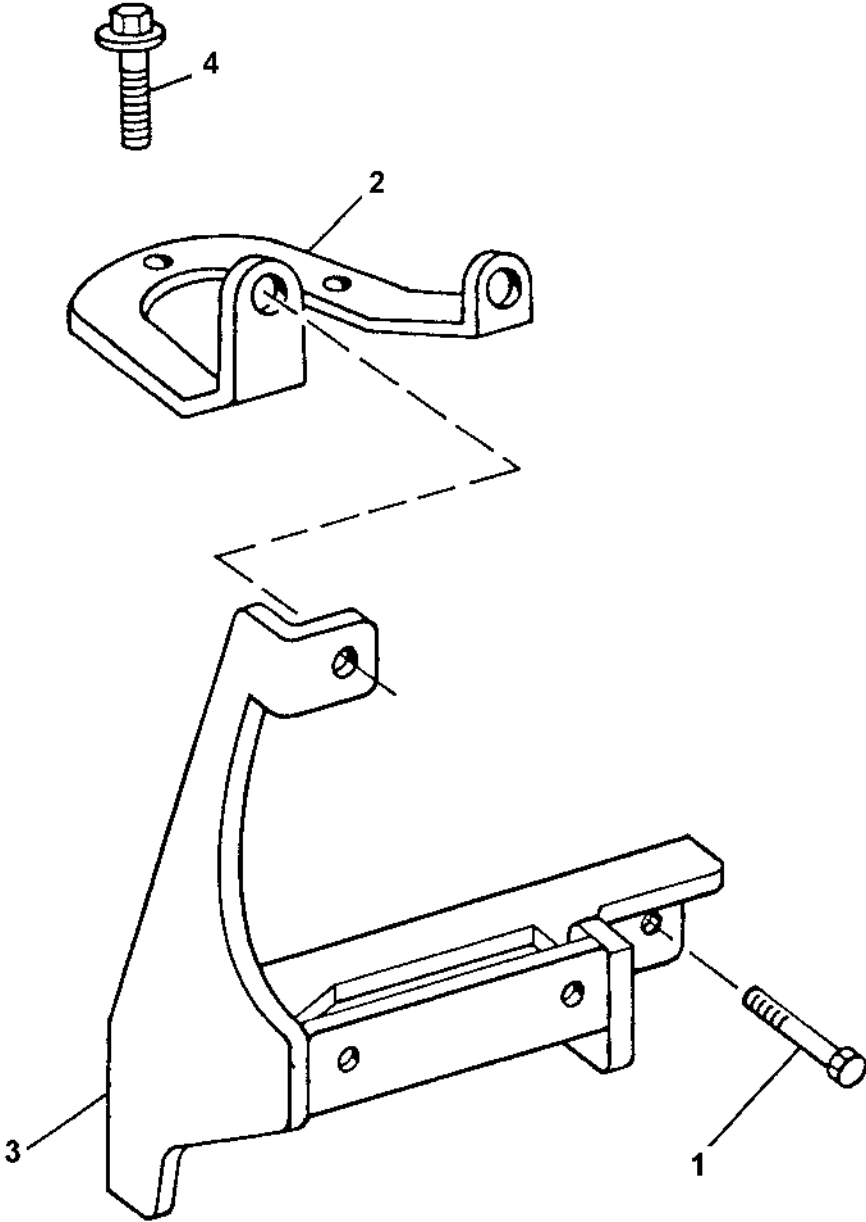


KEY	PART NO.	PART NAME	QTY	ENGINE SERIAL NO.	REMARKS
1	RE71121	SENSOR	1		(SUB FOR RE43511) TACHOMETER
2	51M7044	O-RING	1		

1E12

AIR CONDITIONER COMPRESSOR BRACKETS

TP55186 -UN-25AUG97



TP55186

1E13

ENGINE

AIR CONDITIONER COMPRESSOR BRACKETS-CONTINUED

KEY	PART NO.	PART NAME	QTY	ENGINE SERIAL NO.	REMARKS
1	19M7784	SCREW	2		
2	R132690	BRACKET	1		
3	RE70107	BRACKET	1		
4	19M7788	SCREW	1		

MEMORANDA

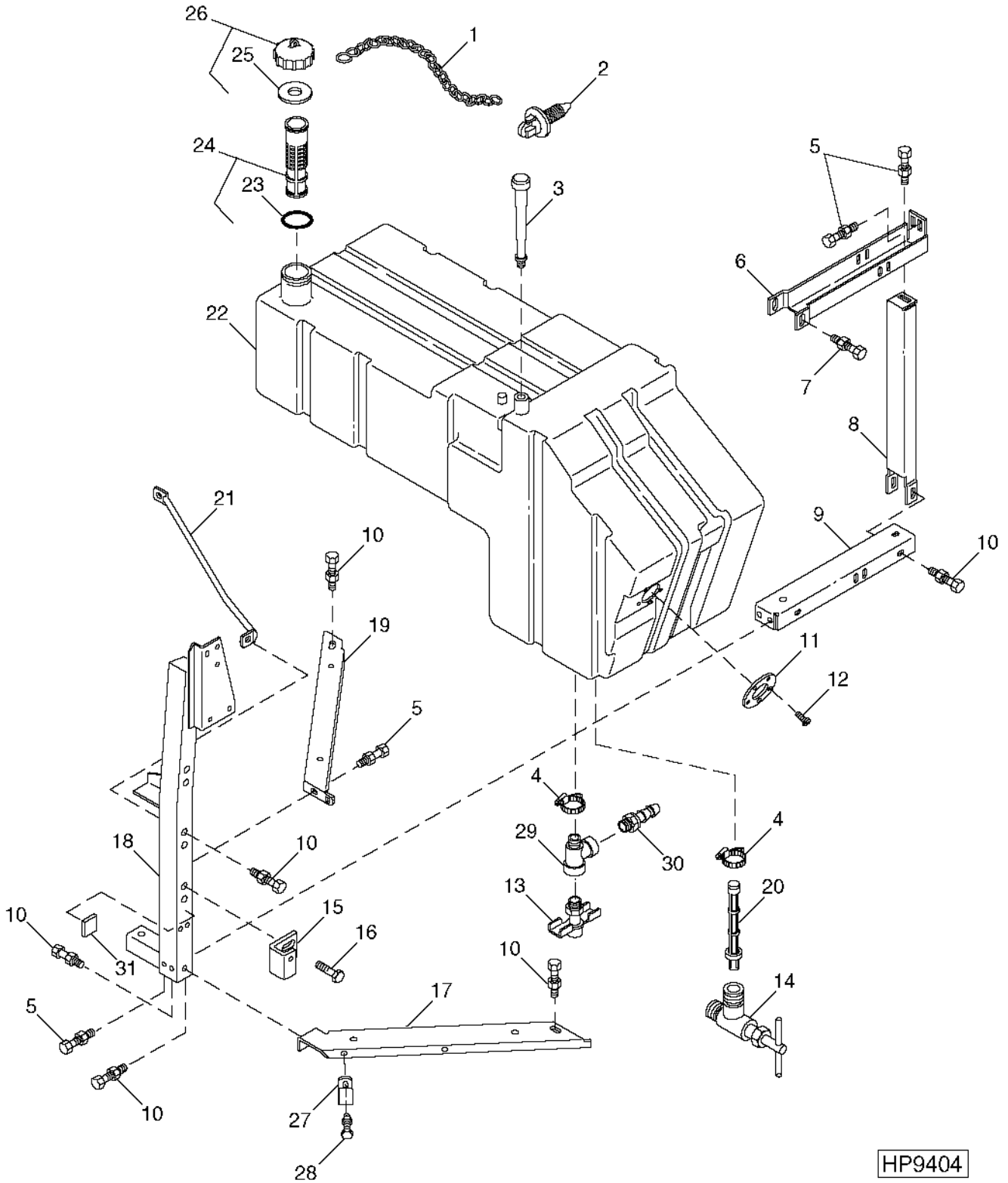
MEMORANDA

1E15

FUEL AND AIR

FUEL TANK, SUPPORTS, AND FITTINGS

HP9404 -UN-06JAN00



HP9404

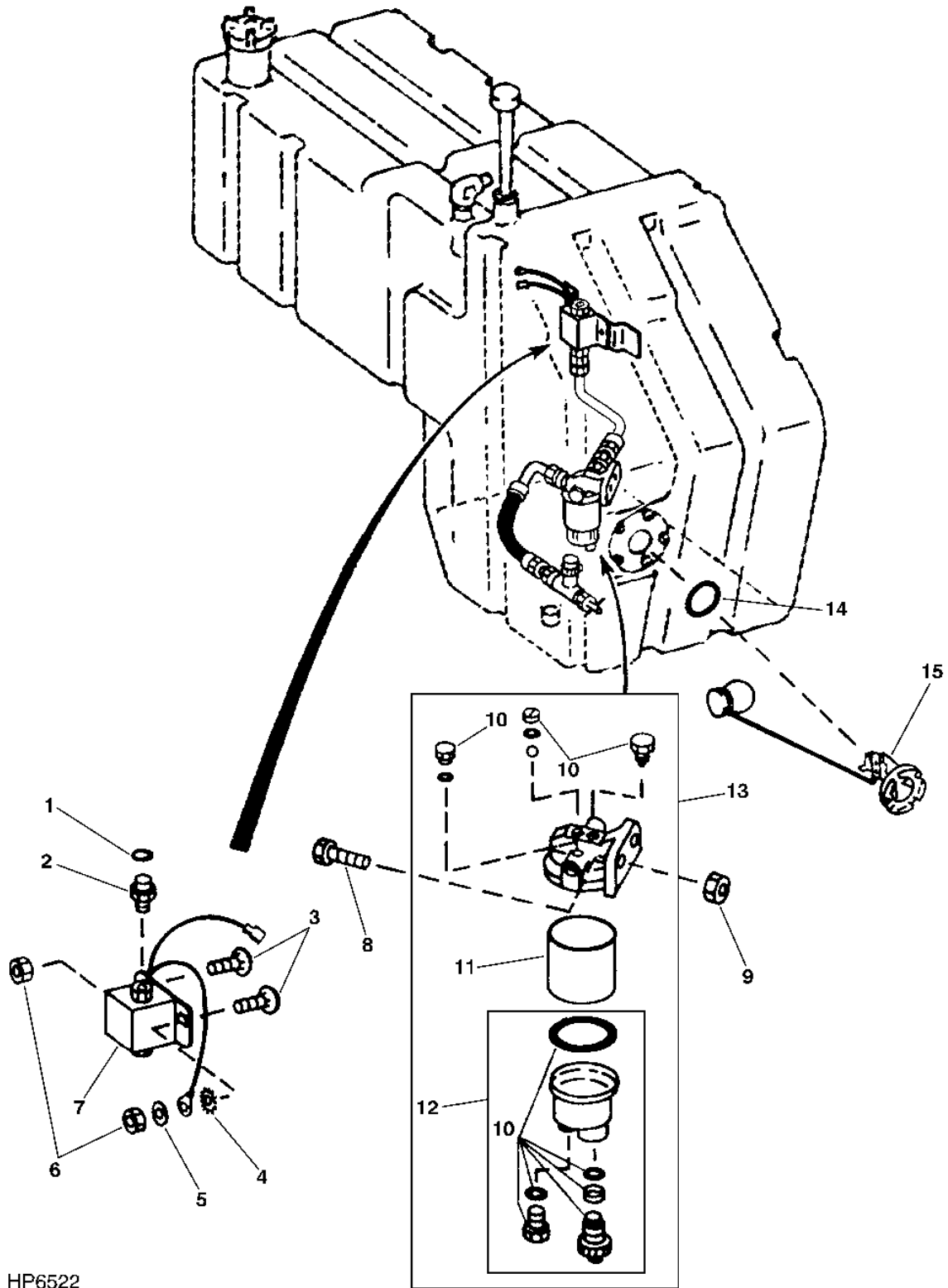
FUEL TANK, SUPPORTS, AND FITTINGS - CONTINUED

KEY	PART NO.	PART NAME	QTY	SERIAL NO.	REMARKS
1	AH132814	LINK CHAIN	1		
2	H99897	RETAINER	1		
3	AH116123	BREATHER	1		
4	AT18904	CLAMP	2		
5	19M7785	SCREW	5	M10 X 25	
	14M7400	LOCK NUT	5	M10	
6	H169794	CHANNEL	1		(SUB FOR H134299)
7	19M7812	SCREW	1	M10 X 100	
	14M7400	LOCK NUT	1	M10	
	H77507	WASHER	1		10.312 X 38.100 X 7.925 MM
8	H134298	CHANNEL	1		
9	H169793	CHANNEL	1		(SUB FOR H134297)
10	19M7785	SCREW	10	M10 X 25	
	14M7400	LOCK NUT	10	M10	
11	H134396	WASHER	1		
12	19H2925	SCREW	5	1/4" X 1/2"	
13	AT13740	DRAIN VALVE	1		(USE WITH T17568 TEE AND U42355 CONNECTOR)
14	AH129056	VALVE	1		
15	H143420	STOP	1		
16	37M7058	SCREW	2	M8 X 20	
17	AH135191	CHANNEL	1		(INCLUDES AH114109)
18	AH137254	SUPPORT	1		
19	AH136147	CHANNEL	1		(USE WITH (3) H64612) REAR
20	AH106982	SCREEN	1		
21	H129839	BRACE	1		
22	AH146621	FUEL TANK	1		(USE WITH TY22418 HOSE, U42355 TEE AND T17568 CONNECTOR)
23	H147415	O-RING	1		69.220 X 5.330 MM (2.725" X 0.210")
24	AH162914	STRAINER	1		(SUB FOR AH135155)
25	H148166	WASHER	1		29 X 85 X 3.175 MM (1.142" X 3.346 X 1/8")
26	AH141823	FILLER CAP	1		(INCLUDES H148166)
27	T76719	CLAMP	1		
28	19M7862	SCREW	1	M6 X 20	
	14M7303	FLANGE NUT	1	M6	
29	T17568	TEE FITTING	1	6.350 MM	
30	U42355	FITTING	1		
31	H145706	LABEL	1		FILL HOSE

1E17

ELECTRIC FUEL PUMP, WATER SEPARATOR AND FUEL FLOAT

HP6522 -UN-15JUL96



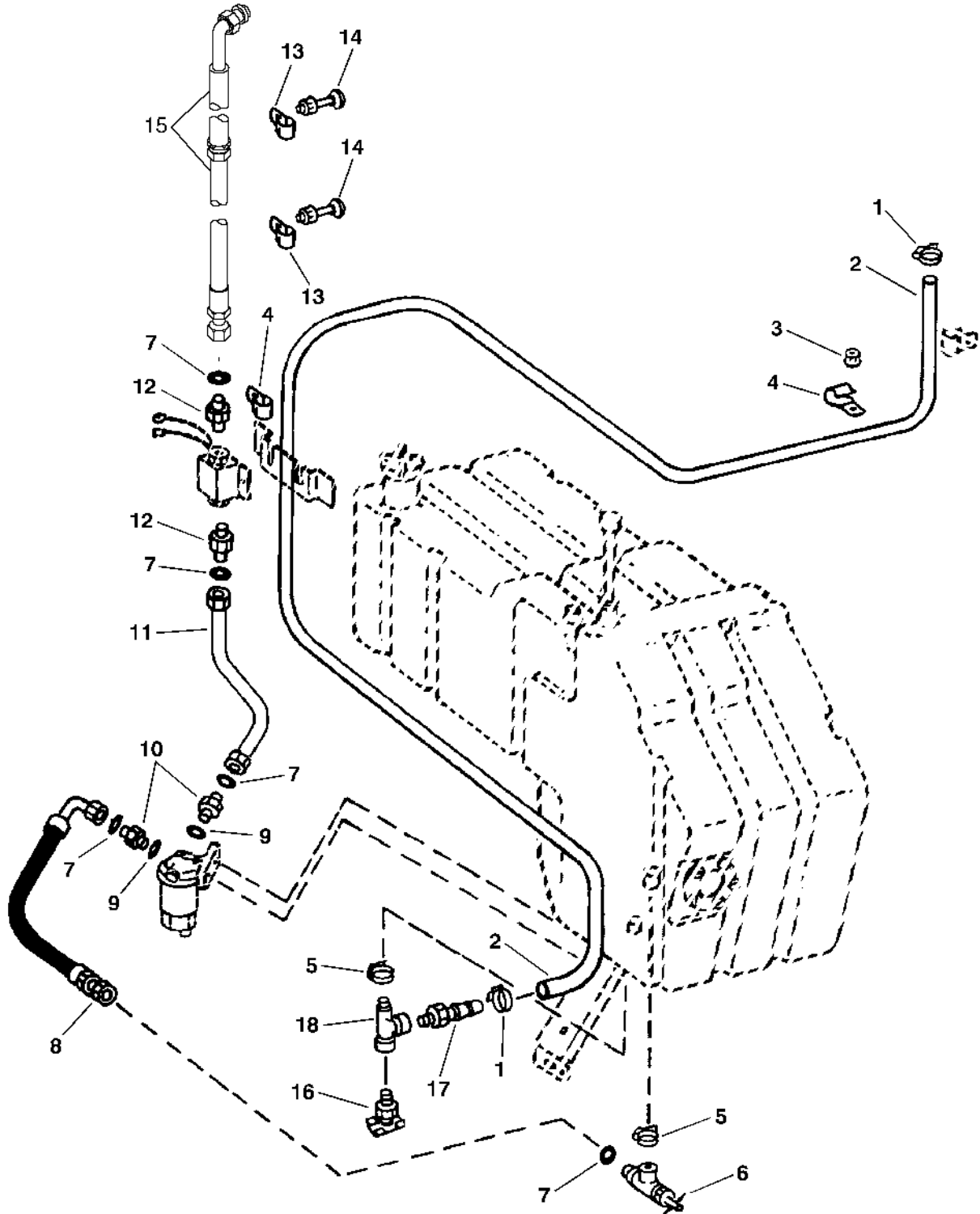
HP6522

ELECTRIC FUEL PUMP, WATER SEPARATOR AND FUEL FLOAT - CONTINUED

KEY	PART NO.	PART NAME	QTY	SERIAL NO.	REMARKS
1	T77613	O-RING	2		
2	H127578	ADAPTER	2		
3	03M7221	BOLT	2		M6 X 16
4	12M7081	LOCK WASHER	1		6.400 MM, EXTERNAL TOOTH
5	24H1287	WASHER	1		9/32" X 5/8" X 0.065"
6	14M7303	FLANGE NUT	2		M6
7	AH130127	PUMP	1		
8	19M7786	SCREW	2		M10 X 30
9	14M7296	FLANGE NUT	2		
10	AT81477	KIT	1		
11	AT81478	FILTER ELEMENT	1		
12	AT81476	KIT	1		
13	AT81268	SEPARATOR	1		
14	H149454	PACKING	1		
15	AH143036	SENSOR	1		

1E19

TANK FUEL LINES AND FITTINGS
HP8068 -UN-10DEC98



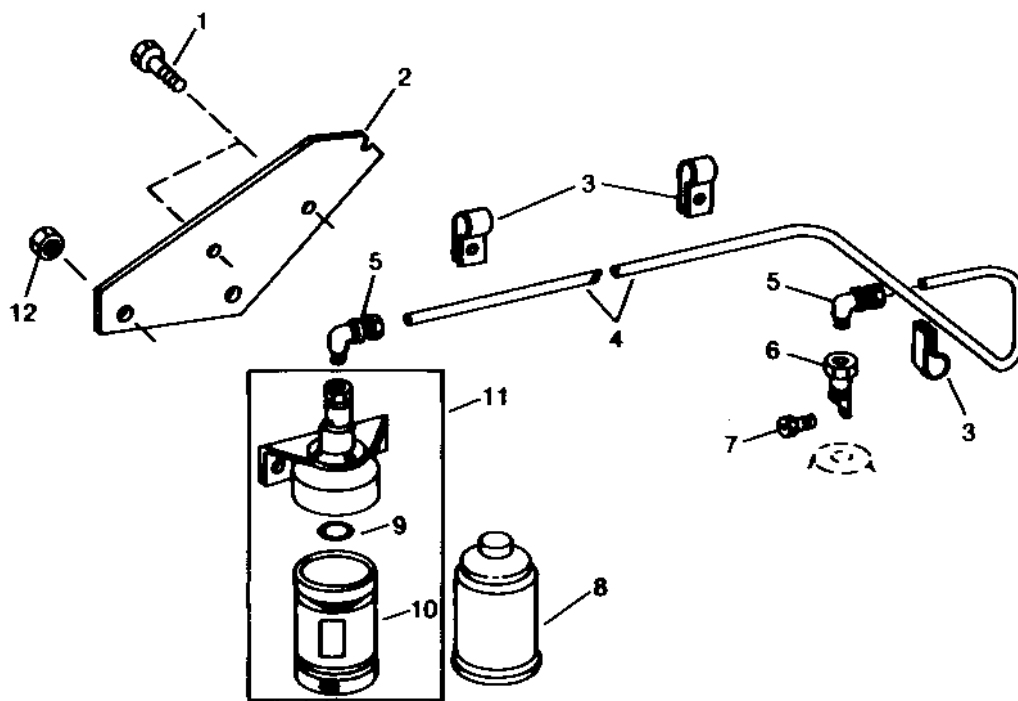
HP8068

TANK FUEL LINES AND FITTINGS - CONTINUED

KEY	PART NO.	PART NAME	QTY	SERIAL NO.	REMARKS
1	TY22462	CLAMP	2		
2	TY22418	BULK HOSE	1		(CUT TO 2920 MM (115 IN.) RETURN
3	14M7298	FLANGE NUT	1		M8
4	AH77869	CLIP	2		
5	AT18904	CLAMP	2		
6	AH129056	VALVE	1		
7	T77613	O-RING	5		
8	AH129058	HYDRAULIC HOSE	1		INLET
9	R26448	O-RING	2		
10	38H1160	ADAPTER	2		
11	AH136146	LINE	1		
12	H127578	ADAPTER	2		
13	AH90990	CLIP	2		
14	03M7183	BOLT	2		M8 X 16
	14M7298	FLANGE NUT	2		M8
15	AH156064	HYDRAULIC HOSE	1		11/16" X 2 300 MM (90-1/2") X 9/16", R.H. SIDE
16	AT13740	DRAIN VALVE	1		
17	U42355	FITTING	1		
18	T17568	TEE FITTING	1		6.350 MM (1/4")

1E21

COLD WEATHER STARTING AID
HP5856 -UN-15OCT94



HP5856

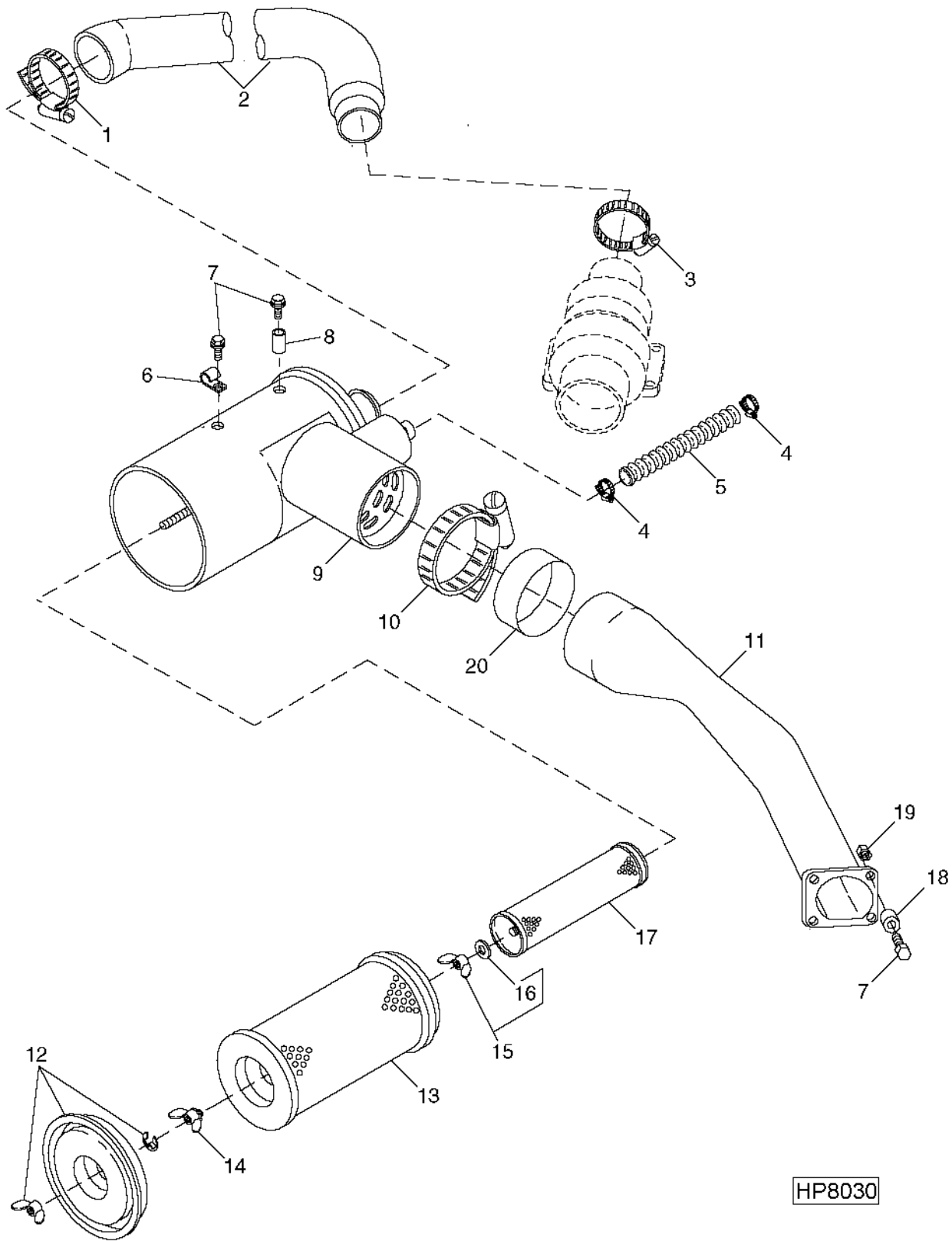
COLD WEATHER STARTING AID - CONTINUED

KEY	PART NO.	PART NAME	QTY	SERIAL NO.	REMARKS
1	19M7774	SCREW	AR		
2	H134300	SUPPORT	1		
	H170303	COVER	1		(SUB H170303)
3	T32231	CLAMP	4		
4	LINE	1		(CUT FROM H86108) 57 IN.
5	RE21790	ELBOW FITTING	2		
6	R47160	NOZZLE HOLDER	1		
7	R28583	NOZZLE	1		
8	RE33636	STARTING FLUID	1		
9	T13119	O-RING	1		18.720 X 2.616 MM (0.737" X 0.103")
	T15712	O-RING	1		12.421 X 1.778 MM (0.489" X 0.070")
10	R73498	CONTAINER	1		
11	RE48310	STARTING AID SOLENOID	1		
	RE48321	ADAPTER	1		
12	14M7298	FLANGE NUT	2		M8

1E23

AIR CLEANER AND INTAKE TUBES

HP8030 -UN-12NOV98



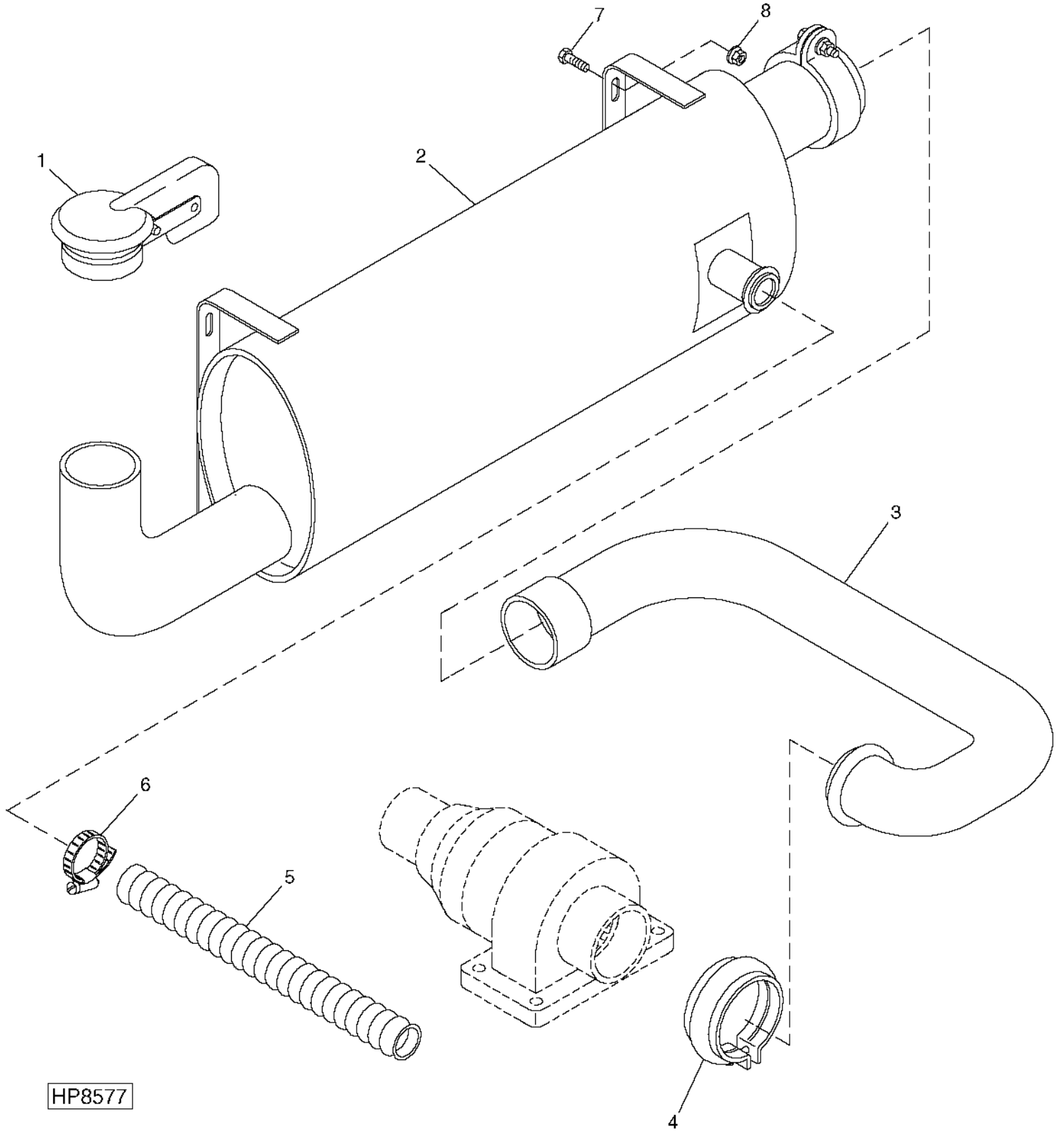
HP8030

AIR CLEANER AND INTAKE TUBES - CONTINUED

KEY	PART NO.	PART NAME	QTY	SERIAL NO.	REMARKS
1	AT104113	HOSE CLAMP	1		
2	AH150335	HOSE	1		
3	H161228	CLAMP	1		
4	TY22470	CLAMP	2		
5	H134117	HOSE	1		
6	H136577	CLAMP	1		
7	19M8319	SCREW	6	M8 X 50	
8	28H1633	BUSHING	1	0.364" X 0.540" X 1-9/16"	
9	AH130100	AIR CLEANER	1		
10	AH130230	HOSE CLAMP	1		
11	AH141625	AIR DUCT	1		
12	AH132803	COVER	1		
13	AR70106	FILTER ELEMENT	1		
14	AR73234	WING NUT	1		
15	AH20849	WING NUT	1		
16	R39825	SEAL	1		
17	AR70107	FILTER ELEMENT	1		
18	H148776	SPACER	4		
19	14M7298	FLANGE NUT	4	M8	
20	H164771	SLEEVE	1		

1F1

MUFFLER AND EXHAUST PIPE
HP8577 -UN-13AUG99



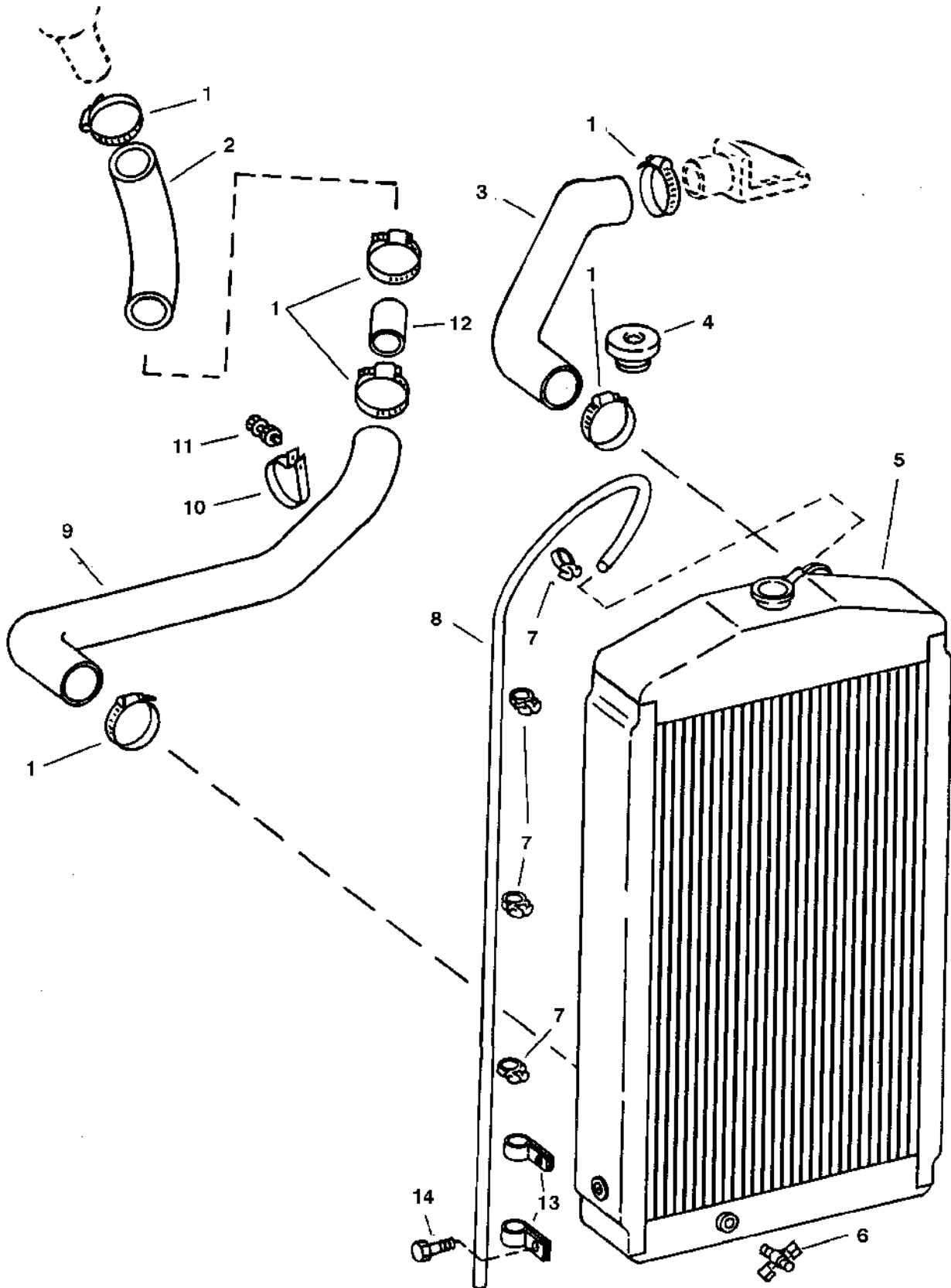
HP8577

MUFFLER AND EXHAUST PIPE - CONTINUED

KEY	PART NO.	PART NAME	QTY	SERIAL NO.	REMARKS
1	AR86603	CAP	1		
2	AH136386	MUFFLER	1		
3	AH153760	EXHAUST PIPE	1		(SUB FOR AH147938)
4	RE40048	CLAMP	1		
5	H134117	HOSE	1		
6	TY22470	CLAMP	2		
7	19M7868	SCREW	4		M8 X 30
8	14M7298	FLANGE NUT	4		M8

1F3

RADIATOR AND HOSES
HP6807 -UN-18AUG97



HP6807

1F4

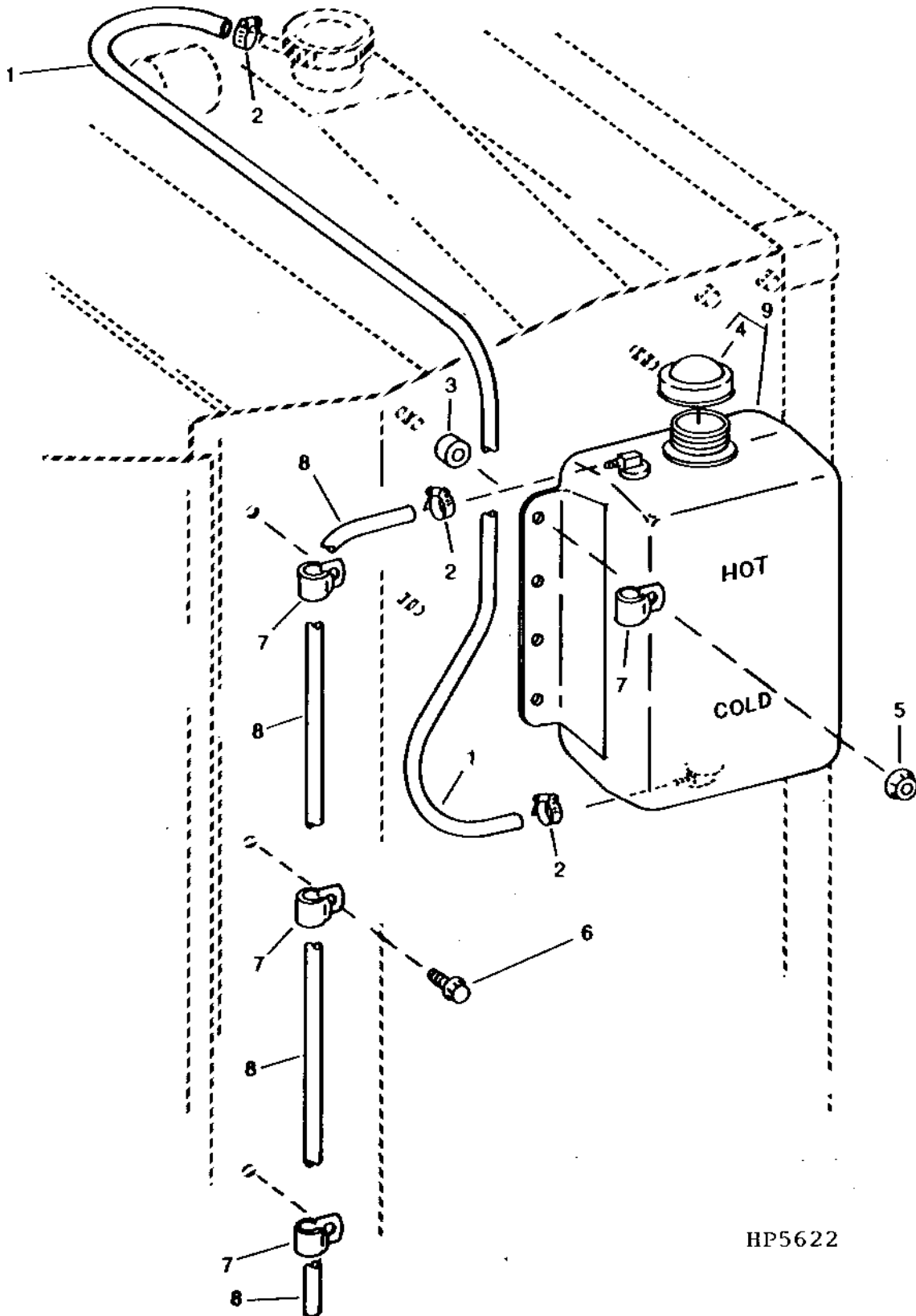
FUEL AND AIR

RADIATOR AND HOSES - CONTINUED

KEY	PART NO.	PART NAME	QTY	SERIAL NO.	REMARKS
1	TY22472	CLAMP	6		
2	AH147360	RADIATOR HOSE	1		
3	AH145542	HOSE	1	-675209	(SUB AH159023)
	AH159023	RADIATOR HOSE	1	675210-	
4	AH148649	FILLER CAP	1		10 PSI
5	AH144719	RADIATOR	1		
6	AT13740	DRAIN VALVE	1		
7	H145832	CLAMP	3		
8	TY22324	BULK HOSE	1		
9	AH130083	HOSE	1		INCLUDES O-RING
	AH135890	RADIATOR HOSE	1		
10	H123297	CLAMP	1		
11	19M7865	SCREW	1		M8 X 16
	14M7298	FLANGE NUT	1		M8
12	H147111	TUBE	1		
13	H75541	CLAMP	2		
14	37M7083	SCREW	2		M8 X 12
..	H166395	SEAL	AR	675337-	

1F5

COOLANT RECOVERY TANK
HP5622 -UN-01JAN94



HP5622

1F6

FUEL AND AIR

COOLANT RECOVERY TANK - CONTINUED

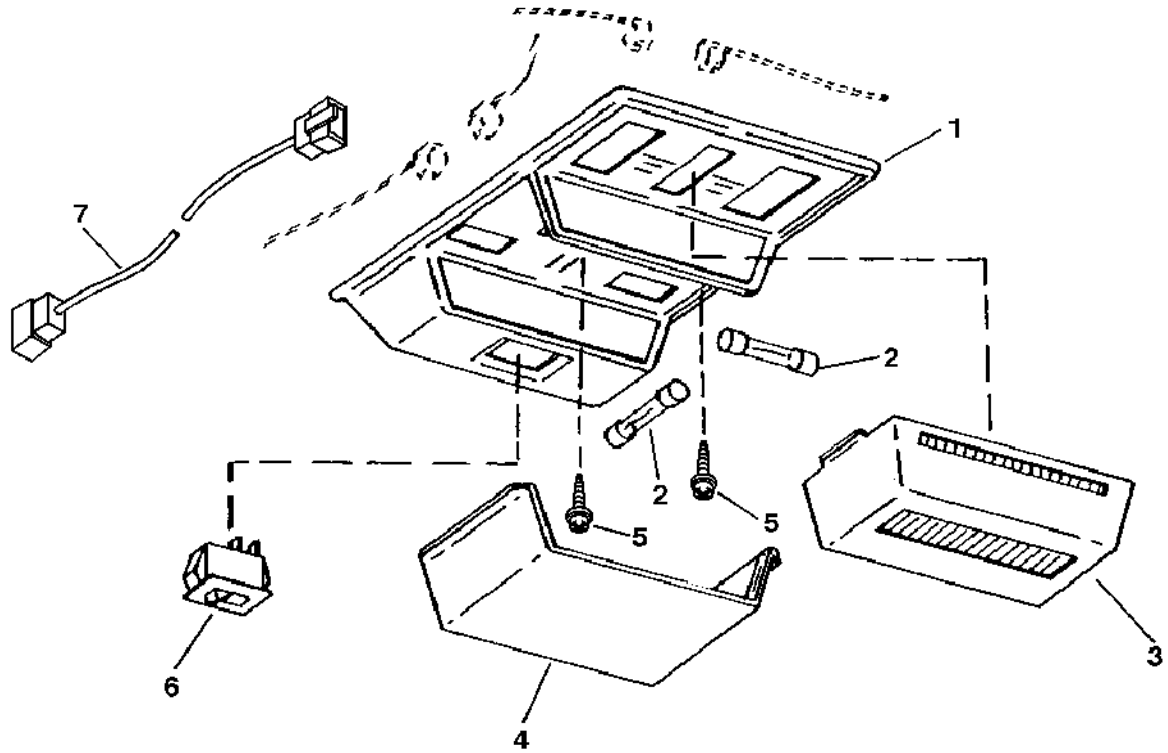
KEY	PART NO.	PART NAME	QTY	SERIAL NO.	REMARKS
1	TY22566	HOSE	1		
2	TY22462	CLAMP	3		
3	M78494	SPACER	4		
4	AT106413	CAP	1		
5	14M7298	FLANGE NUT	4	M8	
6	19M7865	SCREW	3	M8 X 16	
7	AH89557	CLIP	4		
8	H147068	HOSE	1		
9	AT162597	TANK	1		

MEMORANDA

1F11

ELECTRICAL

CAB DOME LIGHT
 HP6762 -UN-18AUG97



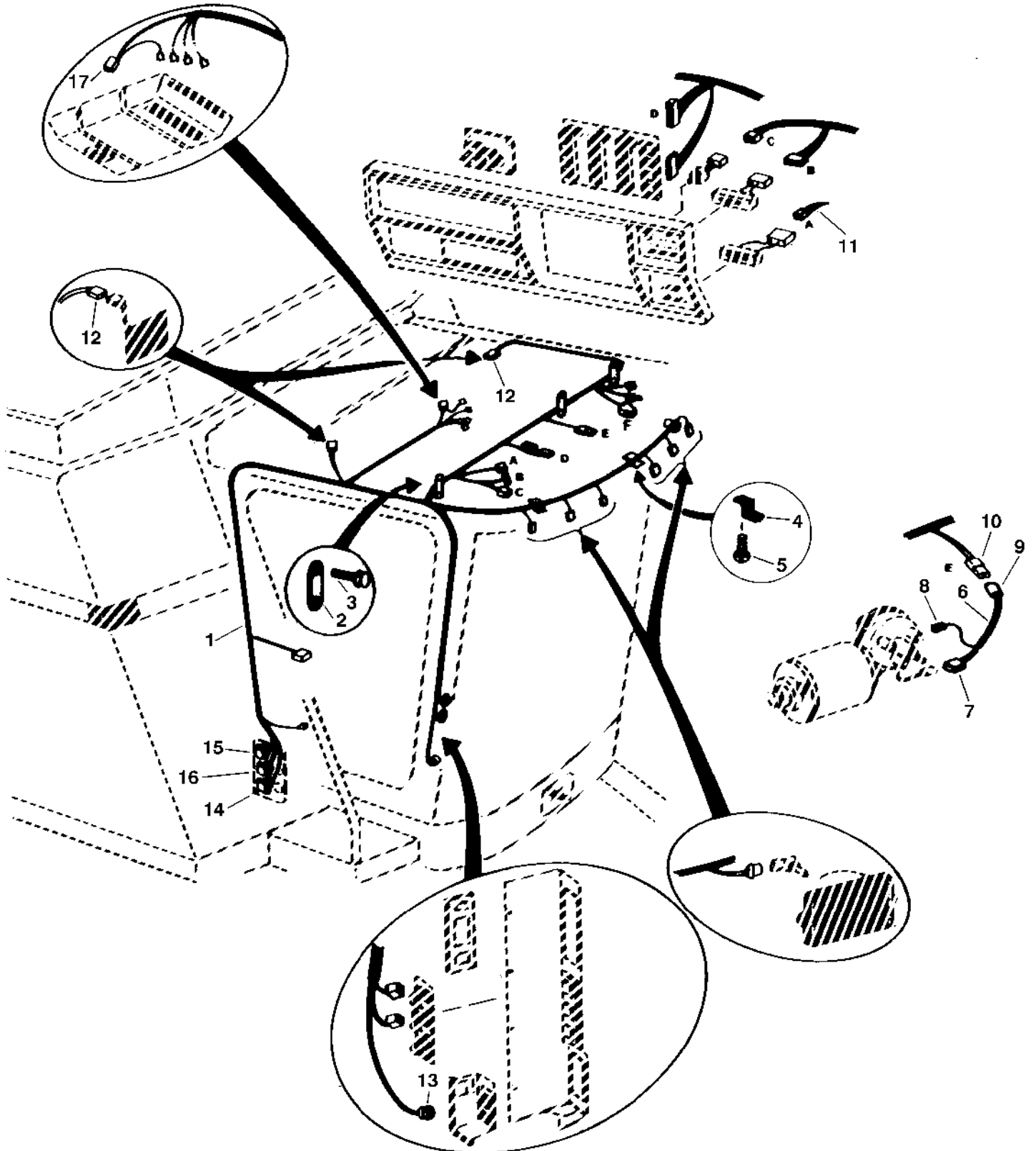
HP6762

KEY	PART NO.	PART NAME	QTY	SERIAL NO.	REMARKS
1	H168419	BASE	1		(SUB FOR H159831)
2	57M7173	BULB	2		
3	AH161919	COVER	1		(SUB FOR AH153626)
4	H131982	LENS	1		
5	H123995	SCREW	2		
6	AH153910	SWITCH	1		
7	AH154151	WIRING HARNESS	1		

1F12

ELECTRICAL

CAB WIRING HARNESS
HP6969 -UN-08SEP97



HP6969

1F13

ELECTRICAL

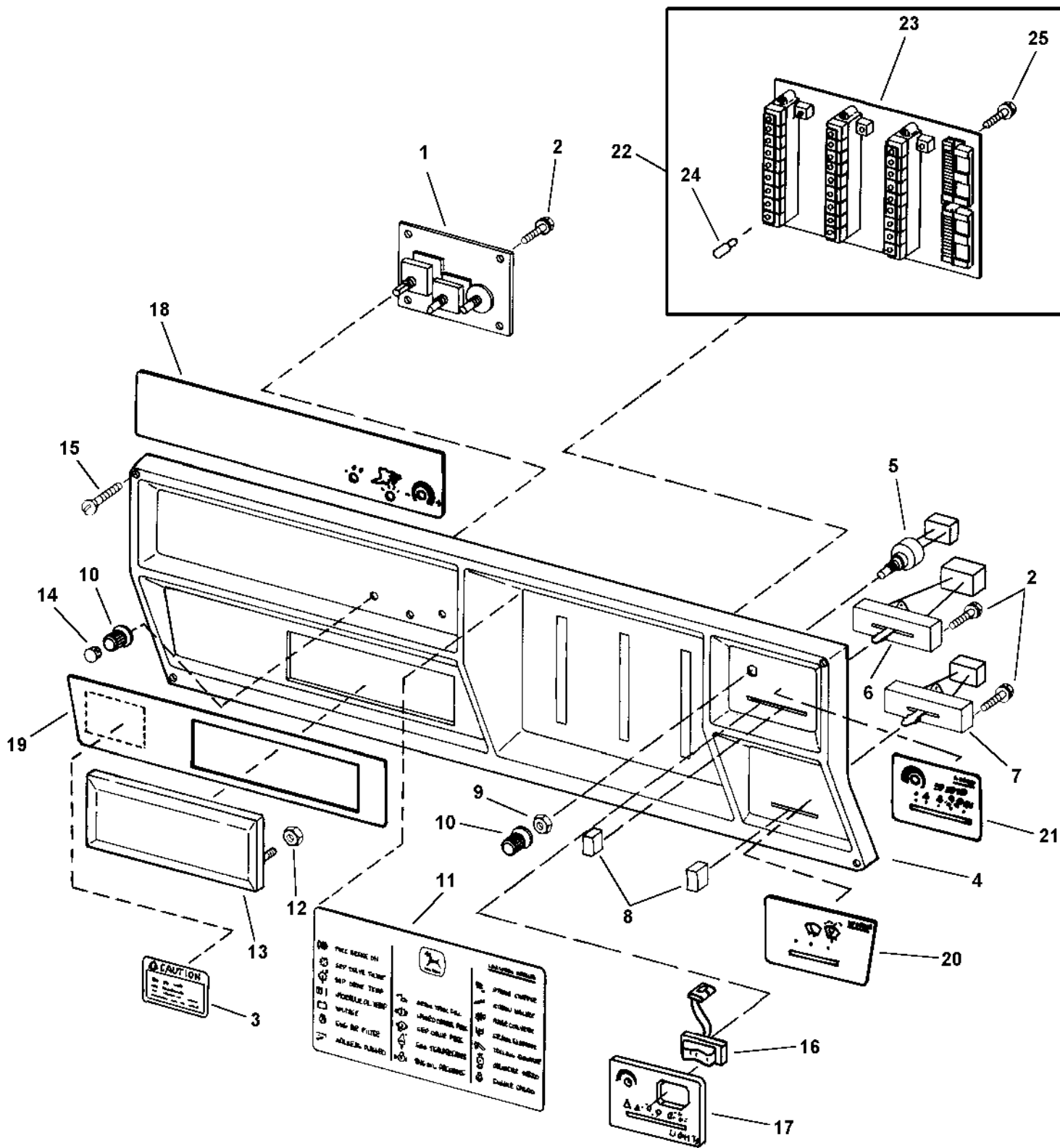
CAB WIRING HARNESS - CONTINUED

KEY	PART NO.	PART NAME	QTY	SERIAL NO.	REMARKS
1	AH154831	WIRING HARNESS	1	-680100	W/GREENSTAR
	AH163345	WIRING HARNESS	1	680101-	W/GREENSTAR
2	H164952	STRAP	3		(SUB FOR H129440)
3	H114038	SCREW	6		
4	AH89557	CLIP	3		
5	H123995	SCREW	3		
6	AH126358	WIRING HARNESS	1		(OPT. REG. WIPER ONLY)
	AH143422	WIRING HARNESS	1		(OPTIONAL REGULAR WIPER ONLY)
7	R77481	CONNECTOR	1		(PKG. OF 2)
	U46662	TERMINAL	1		(PKG. OF 25)
8	T28583	RECEPTACLE CONNECTOR BODY	1		(PKG. OF 3)
	U46662	TERMINAL	1		(PKG. OF 25)
9	R78053	PIN CONTACT CONNECTOR BODY	1		(PKG. OF 3)
	R78061	PIN CONTACT	1		(PKG. OF 40)
10	RE12363	CONNECTOR	1		(PKG. OF 3)
	U46662	TERMINAL	1		(PKG. OF 25)
	R78060	SOCKET CONTACT	1		(PKG. OF 40)
	R78048	TERMINAL NIPPLE	1		(PKG. OF 5)
11	T24167	RECEPTACLE CONNECTOR BODY	1		
	R77464	PIN CONTACT	1		(PKG. OF 50)
	U46662	TERMINAL	1		(PKG. OF 25)
12	R77477	RECEPTACLE CONNECTOR BODY	2		(PKG. OF 2)
13	H118431	CONNECTOR	1		
14	H140664	CONNECTOR	1		
	R77464	PIN CONTACT	1		(PKG. OF 50)
15	H118430	CONNECTOR	1		(37 PIN CONNECTOR)
16	R77464	PIN CONTACT	1		(PKG. OF 50)
17	R77477	RECEPTACLE CONNECTOR BODY	1		(PKG. OF 2)
	U46662	TERMINAL	1		(PKG. OF 25)

1F14

ELECTRICAL

OVERHEAD CONSOLE PANEL HP7628 -UN-10SEP98



HP7628

1F15

ELECTRICAL

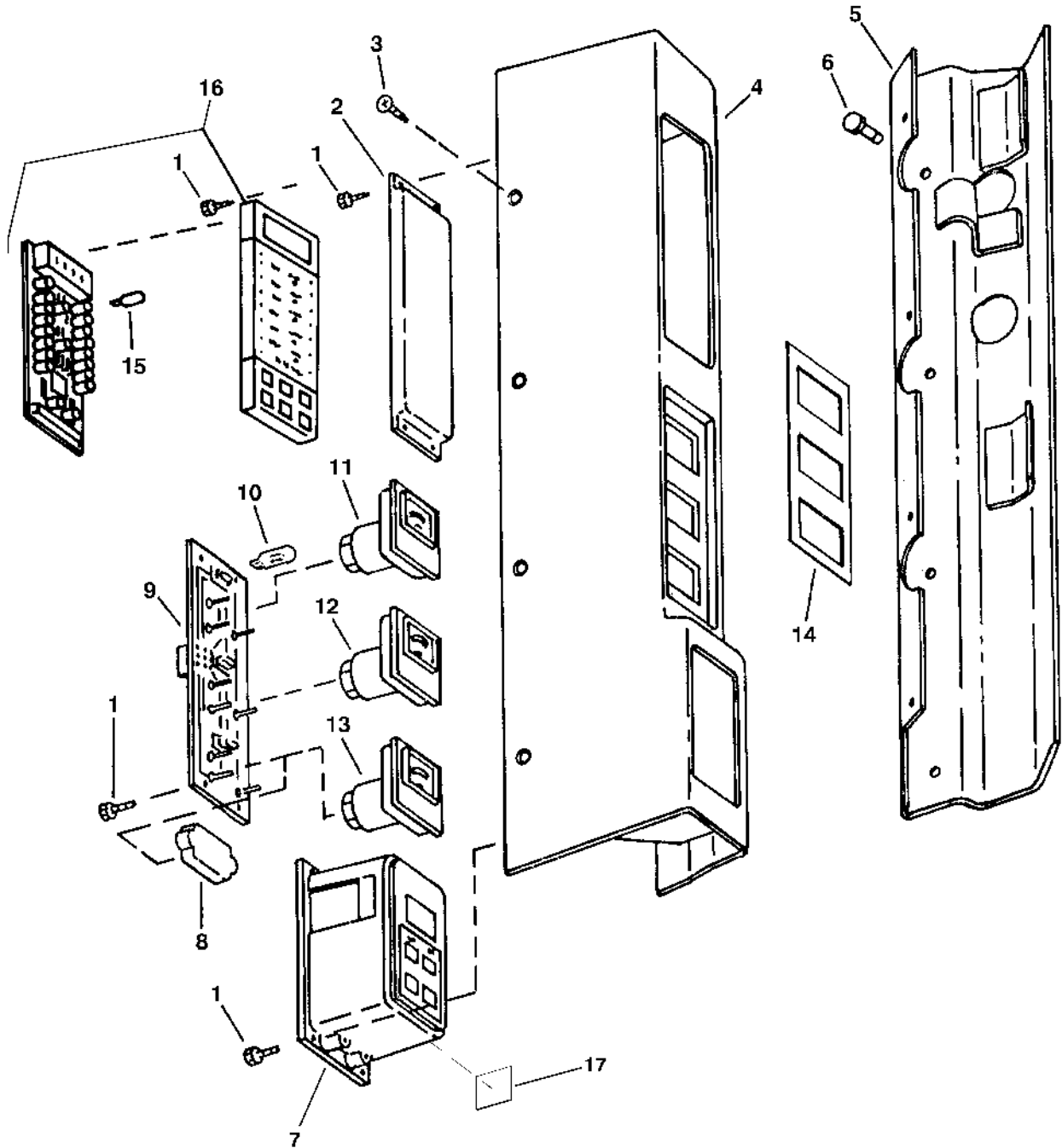
OVERHEAD CONSOLE PANEL - CONTINUED

KEY	PART NO.	PART NAME	QTY	SERIAL NO.	REMARKS
1	AH125627	CIRCUIT BOARD	1		WITH HARVESTRAK
2	H111364	SCREW	AR		10 WITH HARVESTRAK, 6 W/O HARVESTRAK
3	H155510	SIGN	1		"CAUTION" SEATBELT
4	H168421	PANEL	1		(SUB FOR AH154277 OR H161549)
5	AH115797	RHEOSTAT	1		
6	AH144741	SWITCH	1		
7	AH144742	SWITCH	1		
8	H150681	KNOB	2		
9	H140248	NUT	1		
10	H130153	KNOB	4		4 WITH HARVESTRAK, 1 W/O HARVESTRAK
11	H138798	PANEL	1		
	H143632	PANEL	1		EXPORT ONLY-(FRENCH)
12	H117239	FLANGE NUT	2		LESS RADIO
13	H132795	PANEL	1		LESS RADIO
14	T15005	PLUG	3		LESS HARVESTRAK
15	H130194	CAP SCREW	6		
16	AH145674	ROCKER SWITCH	1		USED WITH OPTIONAL AUX FIELD LIGHTS
17	H151376	DECAL	1		LIGHTS GRAPHICS DECAL W/OPTIONAL AUX FIELD LIGHTS
18	H137539	PANEL	1		HARVESTRAK GRAPHICS
	H137538	PANEL	1		LESS HARVESTRAK
19	H145418	DECAL	1		RADIO TRIM (LESS FIELDS LIGHTS)
	H158601	PANEL	1	3NOV97-	(RADIO WITH MIRROR)
20	H145419	DECAL	1		WINDSHIELD WIPER GRAPHICS
21	H145420	DECAL	1		LIGHT GRAPHICS
22	AH154573	KIT	1		WAARNING DISPLAY PANEL
23	PRINTED CIRCUIT	1		STANDARD ALARM MODULE
24	AH108380	BULB	22		
25	H111364	SCREW	6		M3.5 X 12
..	RE55277	RADIO	1		(ORDER DIRECTLY FROM WATERLOO)
..	RE55278	RADIO	1		(ORDER DIRECTLY FROM DELCO)
..	AH140786	KIT	1		RADIO MOUNTING PARTS

1F16

ELECTRICAL

CAB POST INSTRUMENT PANEL
HP7318 -UN-22DEC97



HP7318

1F17

ELECTRICAL

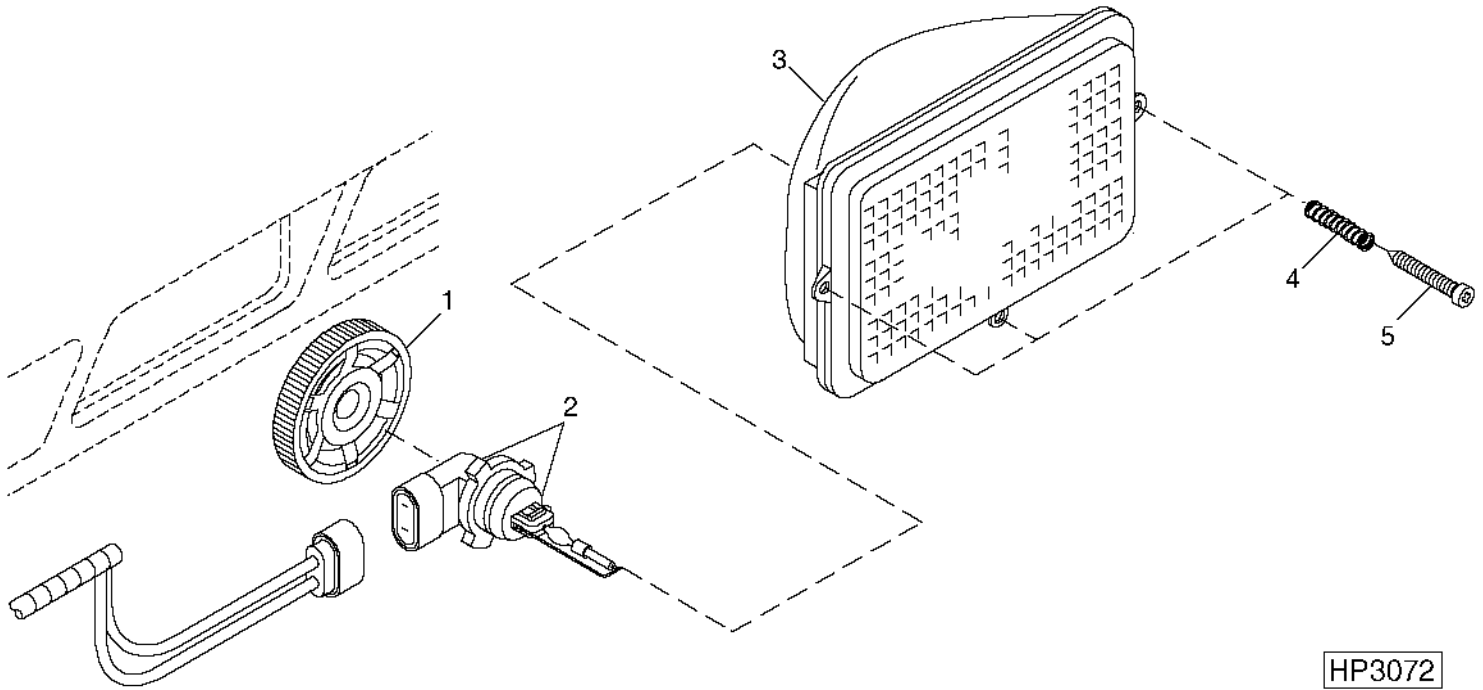
CAB POST INSTRUMENT PANEL - CONTINUED

KEY	PART NO.	PART NAME	QTY	SERIAL NO.	REMARKS
1	21M7268	SCREW	AR		
2	H130058	PANEL	1		M3 X 6
	H168423	PANEL	1		(SUB H168423) WITHOUT DATA CENTER
3	H168424	SCREW	4		M5 X 12
4	AH140609	PANEL	1		
5	AH120570	BRACKET	1		
6	37M7089	SCREW	AR		M6 X 12
7	AH163527	KIT	1		(INCLUDES AH161335 DUAL TACHOMETER, AH144684 LABEL KIT, AND H165359 INSTRUCTIONS)
8	H129686	COVER	1		NOT USED WITH HARVESTRAK
9	AH141984	CIRCUIT BOARD	1		
10	AA27536	BULB	3		
11	AH120444	GAUGE	1		FUEL
12	AH159352	TEMPERATURE GAUGE	1		(SUB FOR AH148354) ENGINE
13	AH120445	GAUGE	1		HARVESTRAK
14	H145417	DECAL	1		GAUGE GRAPHICS DECAL
15	AH108380	BULB	20		
16	AH162661	KIT	1	-15NO99	(SUB FOR AH159207 OR AH157325) (SUB AH167934) COMBINE DATA CENTER, INCLUDES AH162660 MONITOR, LABELS AND INSTRUCTIONS.
	AH167934	KIT	1	16NO99-	
17	R133617	LABEL	1		
..	BH71887	COMPLETE GOODS/SHIP. BUNDLE	1		HARVESTRAK
..	BH81356	COMPLETE GOODS/SHIP. BUNDLE	1		DIGITAL CONCAVE INDICATOR

1F18

ELECTRICAL

CAB ROOF LIGHTS
HP3072 -UN-24AUG99



HP3072

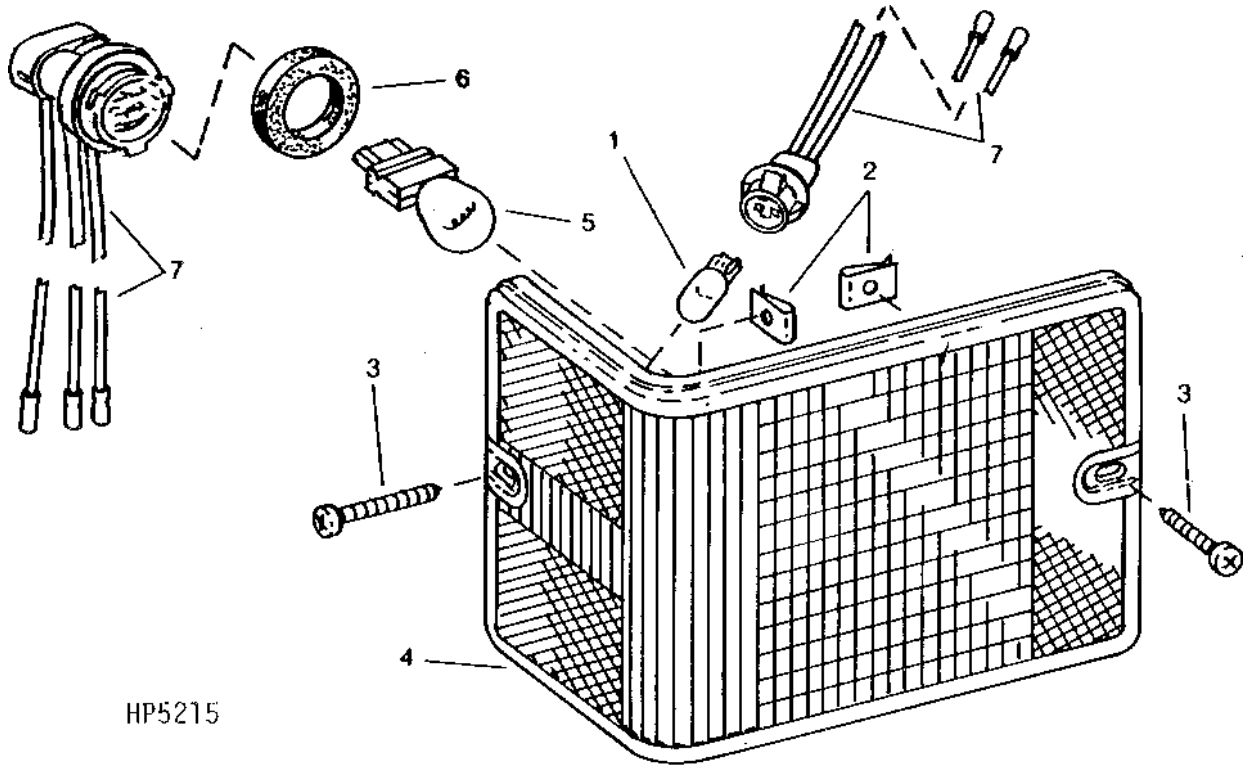
KEY	PART NO.	PART NAME	QTY	SERIAL NO.	REMARKS
1	H132900	RETAINER	6		
2	AH127718	BULB	6	(SUB AH162231)	
	AH162231	BULB	6		
3	AH128327	FLOODLAMP	4		
	AH128328	FLOODLAMP	2		
4	H130299	SPRING	18		
5	H130298	SCREW	18		

1F19

ELECTRICAL

FRONT AND REAR TURN AND TAIL LIGHTS

HP5215 -UN-01JAN94



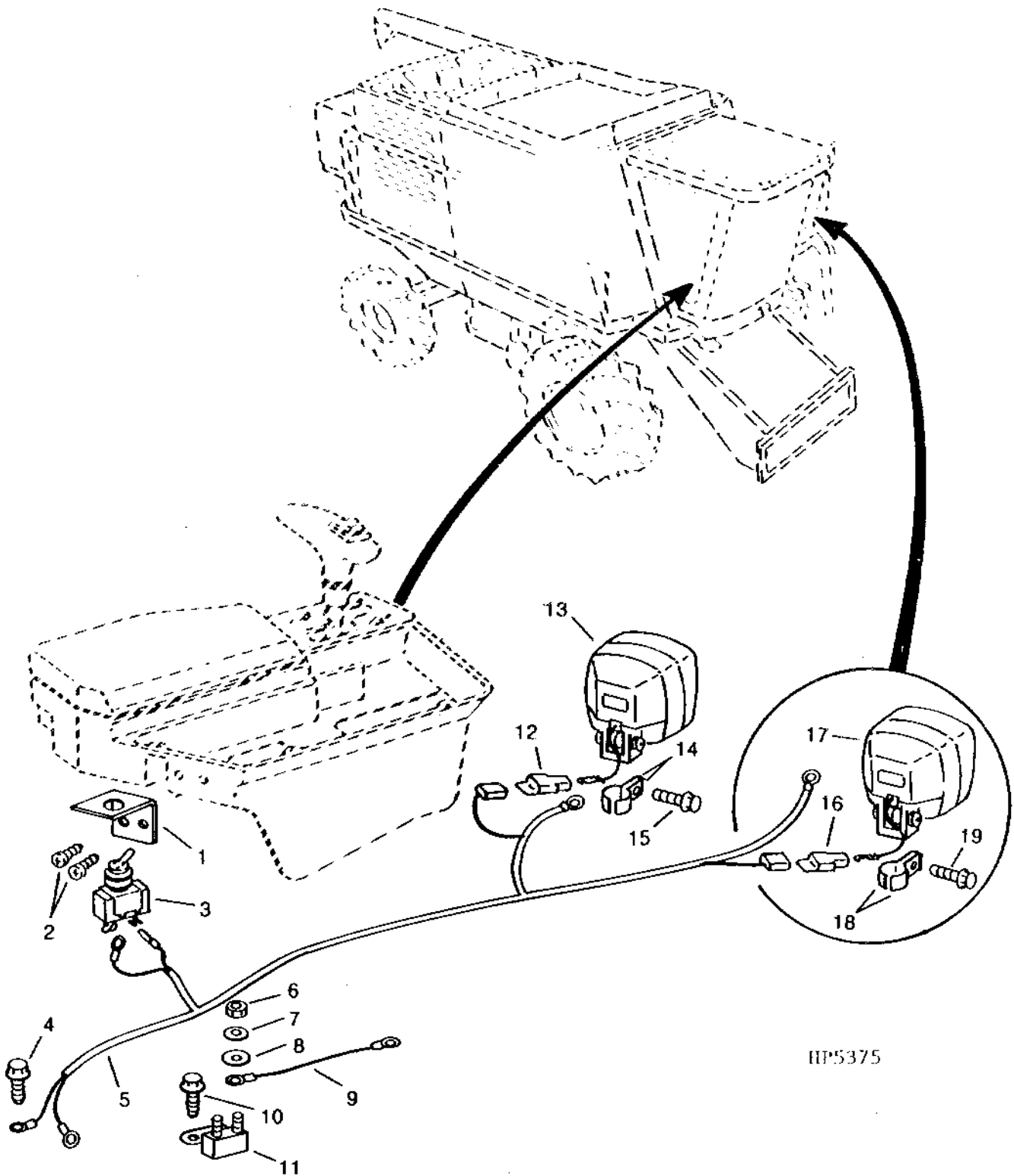
HP5215

KEY	PART NO.	PART NAME	QTY	SERIAL NO.	REMARKS
1	AR62407	BULB	6		
2	H140628	NUT	12		
3	H140627	SCREW	12		
4	AH123014	LAMP	1		AMBER, R.H. FRONT
	AH123015	LAMP	1		AMBER, L.H. FRONT
	AH123016	LAMP	2		RED, R.H. AND L.H. REAR
	AH123017	TAIL LAMP	2		AMBER, R.H. AND L.H. REAR
5	H133384	BULB	6		
6	H141955	SEAL	1		
7	AH140120	KIT	1		SOCKET KIT (CONTAINS (1) LARGE REAR SOCKET AND (1) SMALL SIDE SOCKET)

1F20

ELECTRICAL

AUXILIARY FIELD LIGHTING
HP5375 -UN-01JAN94



1F21

ELECTRICAL

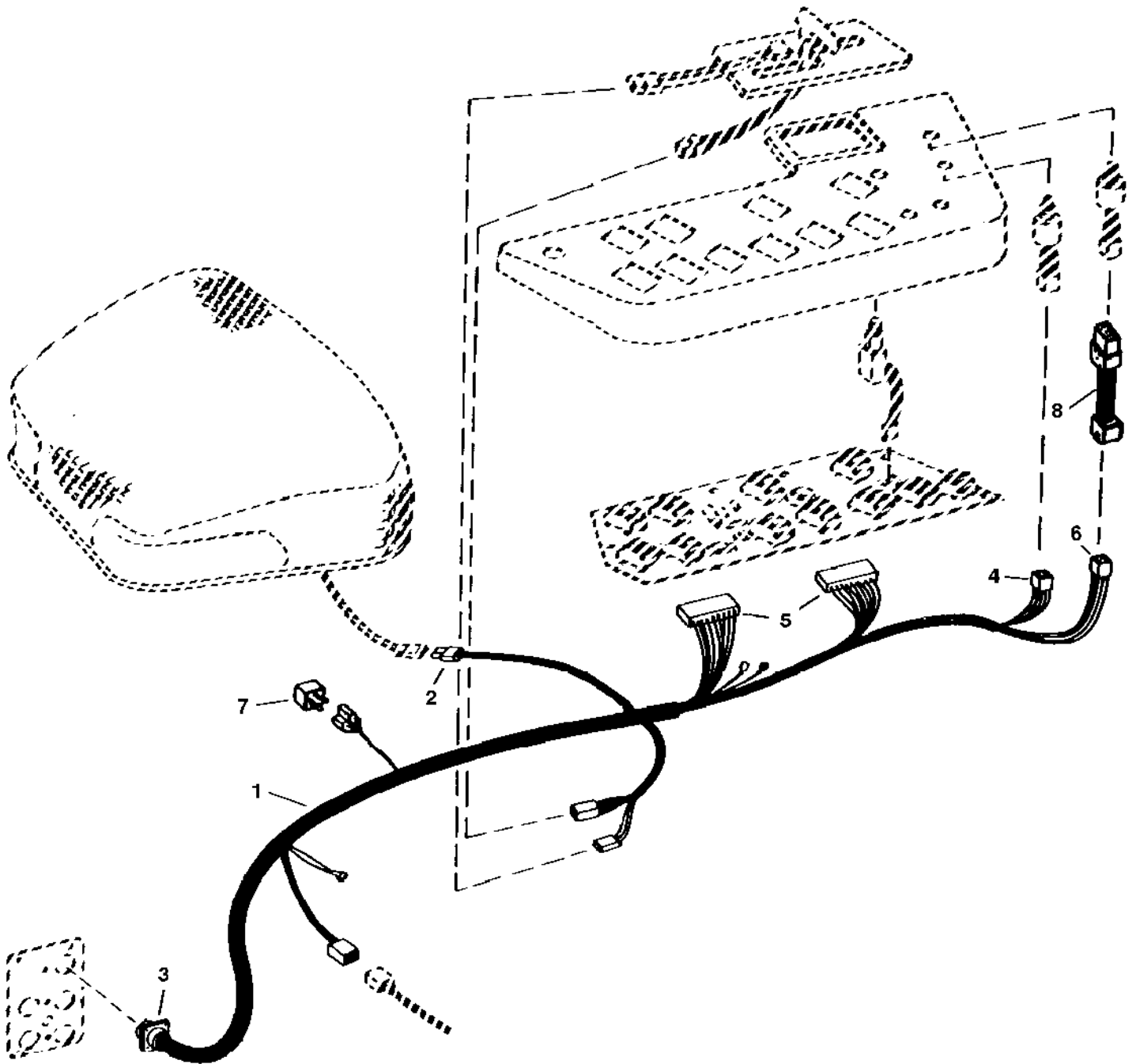
AUXILIARY FIELD LIGHTING - CONTINUED

KEY	PART NO.	PART NAME	QTY	SERIAL NO.	REMARKS
1	H147249	BRACKET	1		
2	H111706	SCREW	2		
3	AH87806	SWITCH	1		TO BRACKET IN CAB
4	37H147	SCREW	1		TO RELAY PANEL
5	AH141171	WIRING HARNESS	1		ROUTE ALONG R.H. MAIN WIRING HARNESS
6	14H631	NUT	2		0.190"
7	12H246	LOCK WASHER	2		0.190"
8	24M7027	WASHER	2		5.300 X 10 X 1 MM
9	AH141131	WIRING LEAD	1		ONE END TO BUSS BAR, OTHER TO CIRCUIT BREAKER
10	37H147	SCREW	2		
11	AR28403	CIRCUIT BREAKER	1		ATTACH TO ENGINE COMPARTMENT RELAY
12	T28585	TAB CONNECTOR BODY	1		
13	AT135485	FLOODLAMP	1		TO LEFT HAND SIDE
14	AH140706	KIT	1		CONTAINS TWO HALF CLAMPS
15	19M7867	SCREW	1		M8 X 25
16	T28585	TAB CONNECTOR BODY	1		
17	AT135485	FLOODLAMP	1		TO RIGHT HAND SIDE
18	AH140706	KIT	1		CONTAINS TWO HALF CLAMPS
19	19M7867	SCREW	1		M8 X 25
..	R44302	TIE BAND	AR		USE TO SECURE WIRING HARNESS TO ENGINE HARNESS
..	BH79711	COMPLETE GOODS/SHIP. BUNDLE	1		AUXILIRY FIELD LIGHTING

1F22

ELECTRICAL

ARMREST WIRING HARNESS
HP6809 -UN-19AUG97



HP6809

1F23

ELECTRICAL

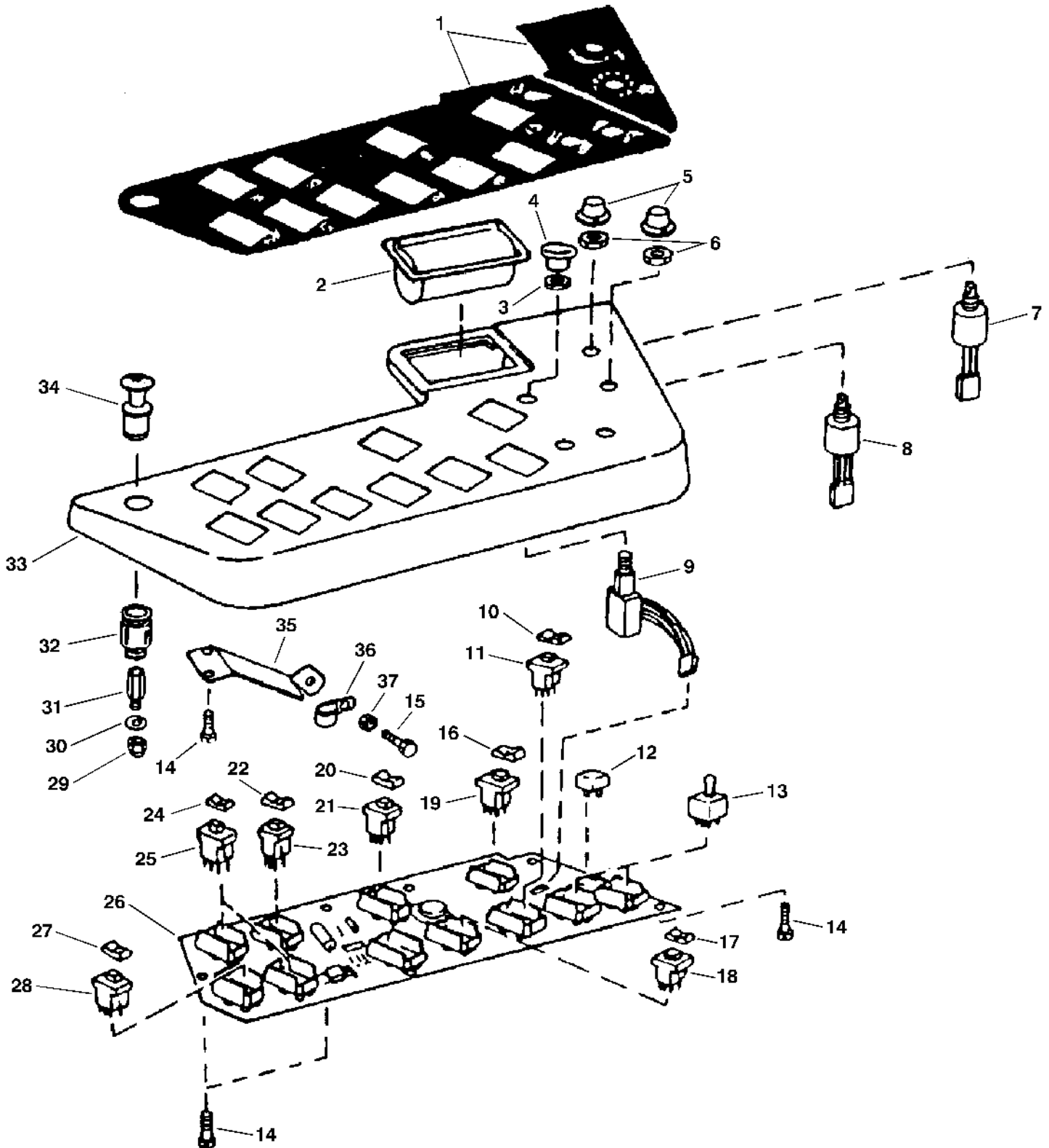
ARMREST WIRING HARNESS - CONTINUED

KEY	PART NO.	PART NAME	QTY	SERIAL NO.	REMARKS
1	AH145026	WIRING HARNESS	1		
2	RE12363	CONNECTOR	1		(PKG. OF 5)
	R78048	TERMINAL NIPPLE	1		(PKG. OF 3)
	R78063	TERMINAL NIPPLE	1		(PKG. OF 40)
	R78060	SOCKET CONTACT	1		(PKG OF 40)
3	H118430	CONNECTOR	1		(37 PIN CONNECTOR)
4	AH116902	CONNECTOR	1		CONNECTS TO DIAL-A-SPEED SWITCH
5	R77465	SOCKET CONTACT	AR		
6	R77465	SOCKET CONTACT	AR		CONNECTS TO ADAPTER HARNESS
7	AH106612	RELAY	1		
8	AH146207	WIRING HARNESS	1		CONNECTS TO DIAL-A-MATIC SWITCH (INCLUDES DECAL)

1F24

ELECTRICAL

ARMREST CONTROL PANEL
HP6955 -UN-12SEP97



HP6955

1F25

ELECTRICAL

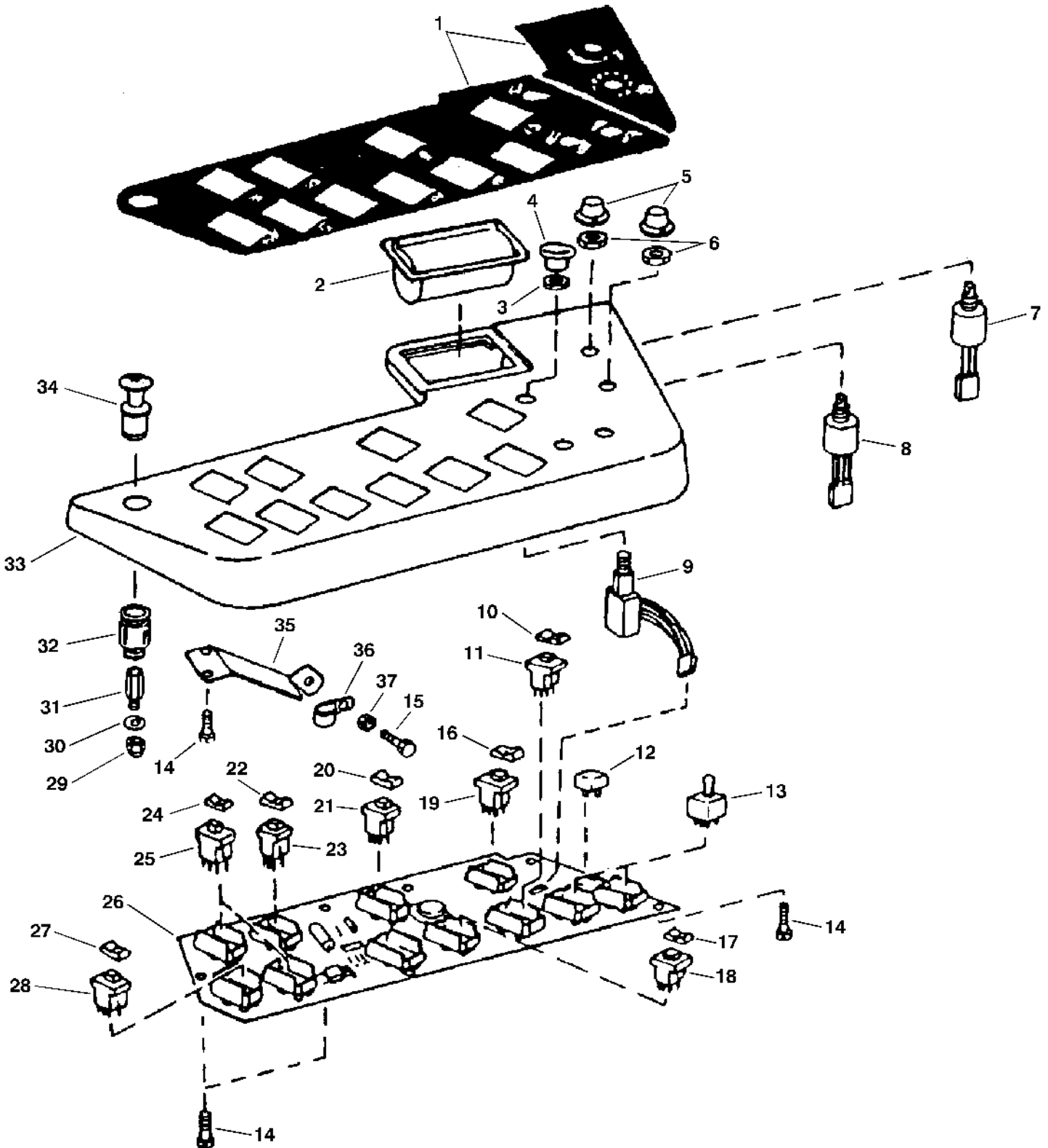
ARMREST CONTROL PANEL - CONTINUED

KEY	PART NO.	PART NAME	QTY	SERIAL NO.	REMARKS
1	H129723	PANEL	1		
	H145284	PANEL	1		
	H150929	PANEL	1		(CONTOUR MASTER)
2	AH104259	ASHTRAY	1		
3	H140248	NUT	1		
4	H134169	KNOB	1		
5	AH126811	KNOB	1		(OPT)
6	H106246	LOCK NUT	1		(OPT)
7	AH145947	SWITCH	1		DIAL-A-MATIC (OPTIONAL)
8	AH121190	SWITCH	1		DIAL-A-SPEED (OPT)
9	AH128904	SWITCH	1		UNLOADING AUGER ENGAGE
10	H143918	ACTUATOR	1		MANUAL REEL SPEED
	H151908	LABEL	1		MANUAL REEL SPEED
11	AH109120	SWITCH	1		MANUAL REEL SPEED
12	AH106612	RELAY	1		
13	AH111704	TOGGLE SWITCH	2		HEADER ENGAGE OR SEPARATOR ENGAGE
14	H111706	SCREW	3		
15	19M7865	SCREW	1		M8 X 16
16	H143918	ACTUATOR	1		
	H151908	LABEL	1		
17	H143918	ACTUATOR	1		REEL FORE AND AFT
	H151908	LABEL	1		
18	AH109120	SWITCH	1		REEL FORE AND AFT

1G1

ELECTRICAL

ARMREST CONTROL PANEL
HP6955 -UN-12SEP97



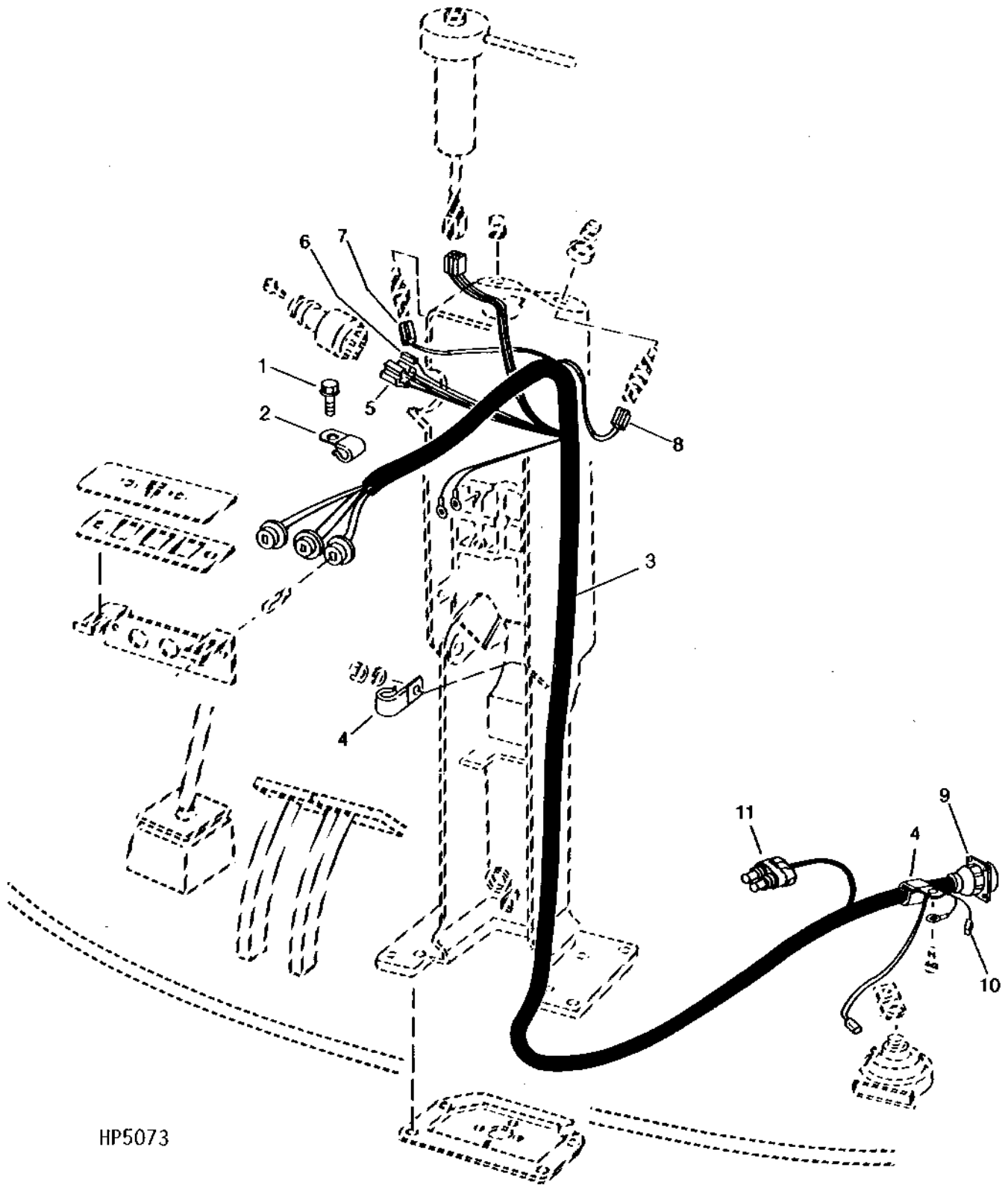
HP6955

ARMREST CONTROL PANEL - CONTINUED

KEY	PART NO.	PART NAME	QTY	SERIAL NO.	REMARKS
19	AH112169	ROCKER SWITCH	1		UNLOADING AUGER SWING
20	H143918	ACTUATOR	1		ENGINE SPEED
	H151908	LABEL	1		
21	AH111705	ROCKER SWITCH	1		ENGINE SPEED
22	H143918	ACTUATOR	1		
	H151908	LABEL	1		
23	AH111705	ROCKER SWITCH	1		4-WHEEL DRIVE (OPT)
24	H143918	ACTUATOR	1		
	H151908	LABEL	1		
25	AH109120	SWITCH	1		CLEANING FAN OR CYL. SPEED
26	AH153332	CIRCUIT BOARD	1		
27	H143918	ACTUATOR	1		
	H151908	LABEL	1		
28	AH109120	SWITCH	1		CONCAVE SPACING
29	14H605	NUT	1		0.164"
30	12M7084	LOCK WASHER	1		4.300 MM (0.169")
31	H129367	SPACER	1		
32	AR56766	HOUSING	1		
33	H168426	COVER	1		(SUB FOR H143593)
34	AT26407	LIGHTER	1		
35	H126846	BRACKET	1		
36	AH90990	CLIP	1		
37	14M7298	FLANGE NUT	1	M8	

STEERING COLUMN WIRING HARNESS

HP5073 -UN-01JAN94



HP5073

STEERING COLUMN WIRING HARNESS - CONTINUED

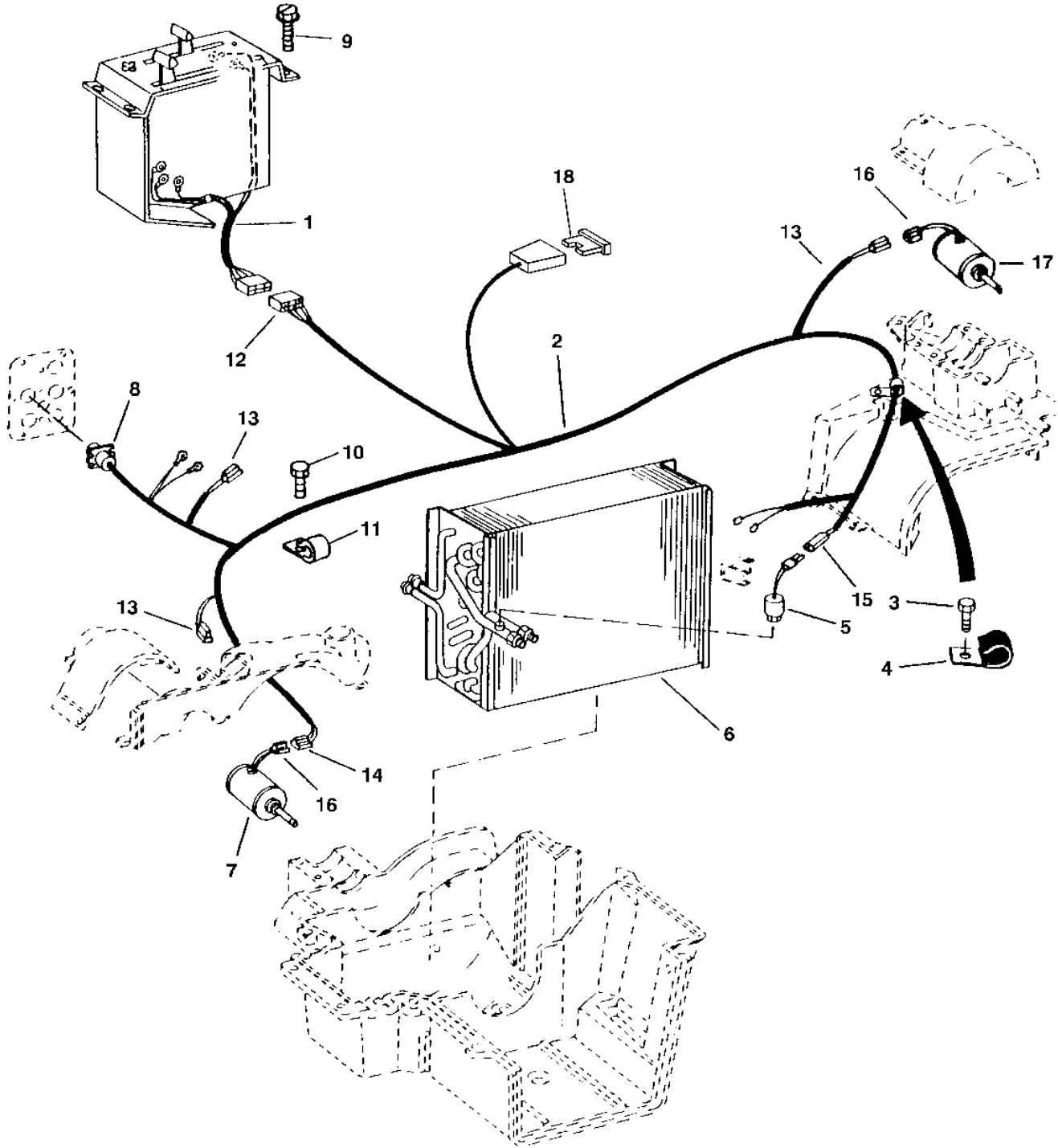
KEY	PART NO.	PART NAME	QTY	SERIAL NO.	REMARKS
1	37M7083	SCREW	1	M8 X 12	
2	AH89557	CLIP	1		
3	AH134296	WIRING HARNESS	1		
4	AH96317	CLIP	2		
5	L38138	RECEPTACLE CONNECTOR BODY	1		CONNECT TO KEY SWITCH
	M71442	TERMINAL	1		
6	T28583	RECEPTACLE CONNECTOR BODY	1		CONNECT TO KEY SWITCH
	U46662	TERMINAL	1		
7	M71184	CONNECTOR	1		CONNECT TO THE HORN SWITCH
	M71442	TERMINAL	1		
	U46663	TERMINAL	1		
8	M71184	CONNECTOR	1		CONNECT TO ETHER AID BUTTON
	M71442	TERMINAL	1		
9	57M7199	RECEPTACLE	1		(24 HOLES, PLAIN)
10	R78053	PIN CONTACT CONNECTOR BODY	1		(PKG. OF 3)
11	RE12363	CONNECTOR	1		TWO PIN, (PKG. OF 5), CONNECTS TO MANUAL PARK BRAKE SWITCH
	R78048	TERMINAL NIPPLE	1		(PKG. OF 3)
	R78063	TERMINAL NIPPLE	1		(PKG. OF 40)
	R78060	SOCKET CONTACT	1		(PKG. OF 40)

1G5

ELECTRICAL

AIR CONDITIONER, HEATER AND AIR SEAT WIRING HARNESS

HP6534 -UN-23AUG96



HP6534

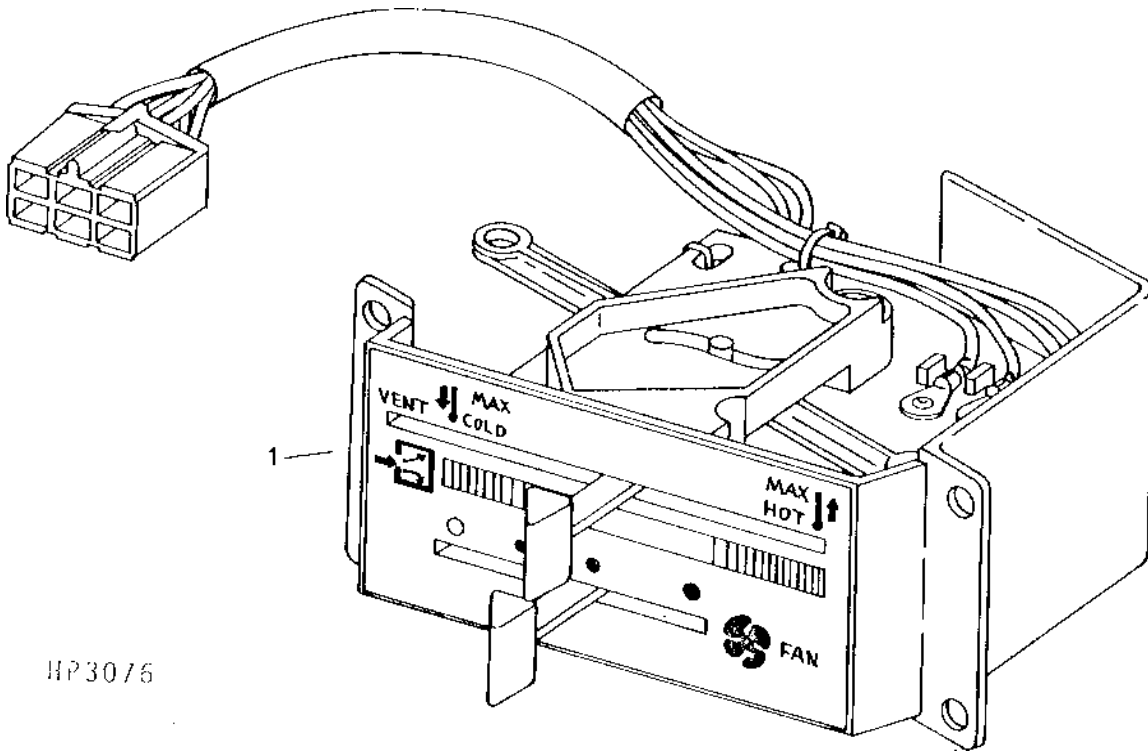
1G6

ELECTRICAL

AIR CONDITIONER, HEATER AND AIR SEAT WIRING HARNESS - CONTINUED

KEY	PART NO.	PART NAME	QTY	YEAR	REMARKS
1	AH144096	CONTROL	1		(INCLUDES H127878, M80082 AND R72653, (2) H871R AND R44302)
	24H1914	WASHER	3		3.175 X 7.925 X 0.813 MM (1/8" X 5/16" X 0.032")
2	AH148616	WIRING HARNESS	1		
3	19M7862	SCREW	1		M6 X 20
4	AH89557	CLIP	1		
5	AH116110	SWITCH	1		LOW TEMP
6	AH132264	EVAPORATOR	1		EVAPORATOR AND HEATER COMBINATION
7	AH128926	MOTOR	1		
8	H130511	CONNECTOR	1		(4 PIN)
	R78061	PIN CONTACT	1		(PKG OF 40)
9	H114038	SCREW	4		
10	H123998	SCREW	1		
11	AH96317	CLIP	1		(SUB FOR AH89486)
12	T34067	TERMINAL	1		(PKG OF 25)
13	R77483	CONNECTOR	3		(2 PIN)
14	R77476	CONNECTOR	1		(PKG OF 2) (3 PIN)
15	R78053	PIN CONTACT CONNECTOR BODY	1		(PKG OF 3) (2 PIN)
	R78061	PIN CONTACT	1		(PKG OF 40)
	T34067	TERMINAL	1		(PKG OF 25)
16	T28586	CONNECTOR	1		(3 PIN)
17	AH128925	MOTOR	1		PRESSURIZER
	H129887	ISOLATOR	1		(USE WITH AH128925)
18	AM108845	KIT	1		COMPRESSOR CLUTCH, 10 AMP

AIR CONDITIONER AND HEATER SWITCH
 HP3076 -UN-01JAN94



HP3076

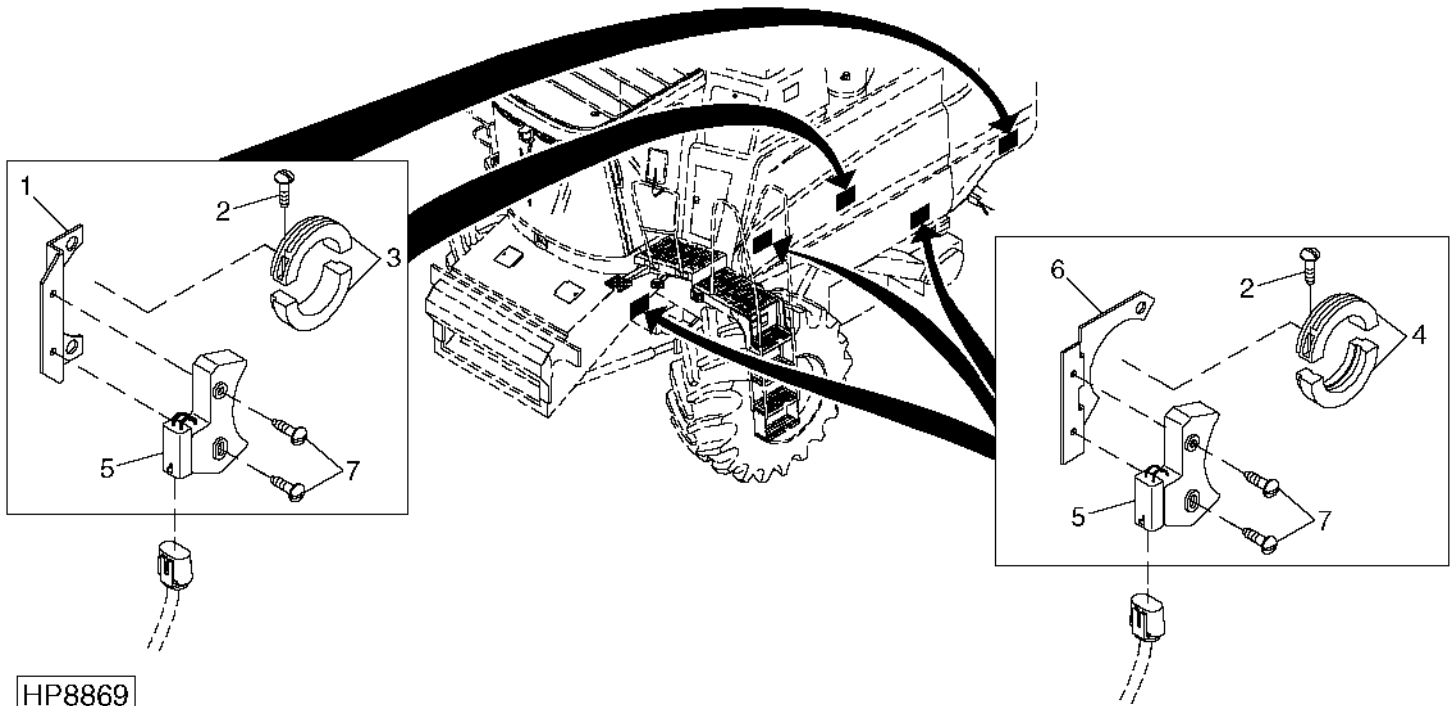
KEY	PART NO.	PART NAME	QTY	SERIAL NO. OR YEAR	REMARKS
1	AH144096	CONTROL	1		(INCLUDES H127878, M80082 AND R72653, (2) H871R AND R44302)

1G8

ELECTRICAL

LOW SHAFT SPEED SENSORS AND BRACKETS

HP8869 -UN-28JUL99

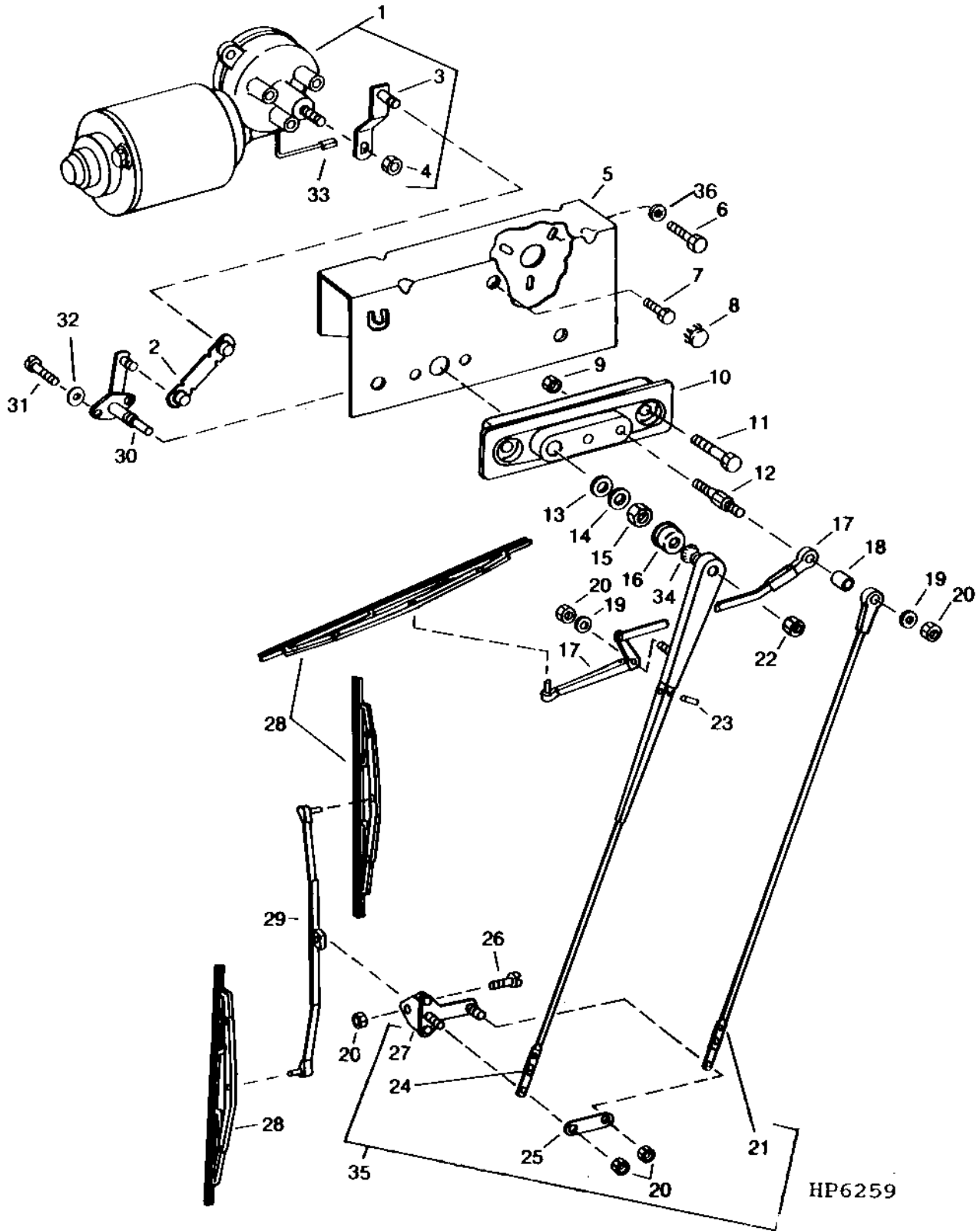


KEY	PART NO.	PART NAME	QTY	SERIAL NO.	REMARKS
1	H148270	BRACKET	2		
2	H168924	SCREW	AR		
3	AH161839	MAGNET	1		(SUB FOR H104793 OR H104794) LARGE
4	AH161838	MAGNET	1		(SUB FOR H104795 OR H104796) LARGE MAGNETIC
5	AH131320	SWITCH	5		
6	H148271	BRACKET	3		
7	37M7077	SCREW	10		4.8 X 32 MM (.1890" X 1.2598")

1G9

ELECTRICAL

WINDSHIELD WIPER (OPT. LONG)
HP6259 -UN-09JAN96



1G10

ELECTRICAL

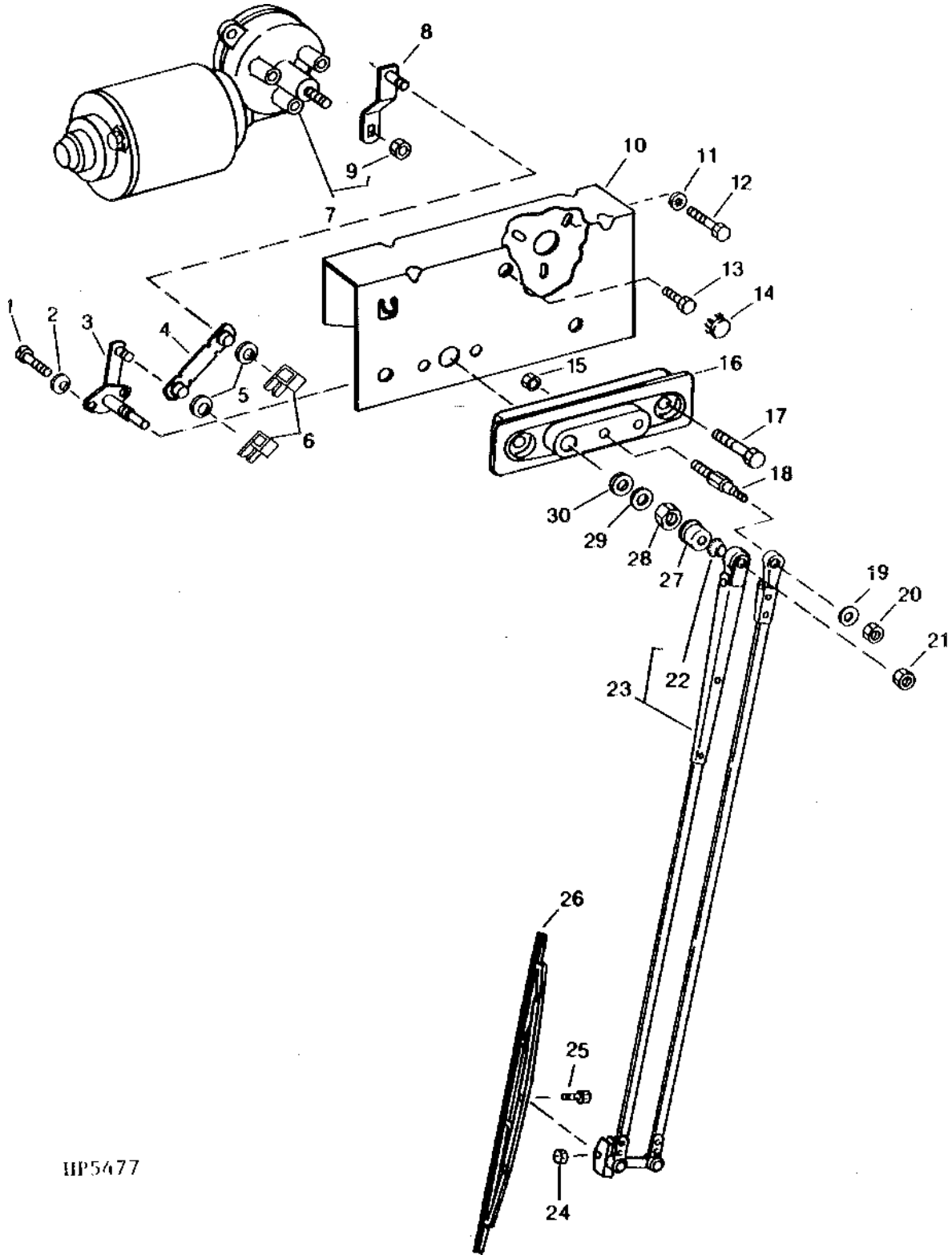
WINDSHIELD WIPER (OPT. LONG) - CONTINUED

KEY	PART NO.	PART NAME	QTY	SERIAL NO.	REMARKS
1	AH149835	MOTOR	1		WIPER LONG (INCLUDES (1) E64256)
2	AH123902	LINK	1		
3	AH149834	CRANK	1		
4	E64256	LOCK NUT	1		(SUB FOR H128819) WIPER MOTOR
5	AH154278	BRACKET	1		
6	19M7774	SCREW	3		
7	19M7865	SCREW	1		M6 X 12
8	M61266	PLUG	1		M8 X 16
9	14M7303	FLANGE NUT	AR		(SUB FOR R34337)
10	H128820	SUPPORT	1		M6
11	19M8317	SCREW	2		WIPER
12	H128821	STUD	1		M8 X 40, (SUB FOR 19M8323)
13	R63666	WASHER	1		18.288 X 28.448 X 1.524 MM (0.720" X 1.120" X 0.060")
14	R63667	WASHER	1		18.263 X 28.575 X 1.575 MM (23/32" X 1-1/8" X 1/16")
15	R63668	NUT	1		17.475 MM (11/16")
16	R63669	CAP	1		
17	AH123908	WIPER ARM	1		
18	H128841	SPACER	1		6.500 X 12 X 20MM(0.256" X 0.472" X 0.787")
19	T32255	SHIM	2		0.381MM(0.015") (SUB FOR H134362)
20	T531T	LOCK NUT	5		4.775MM(3/16") (SUB FOR H133765)
21	AH123907	ARM	1		
22	F3220R	LOCK NUT	1		9.525MM(3/8") (SUB FOR H133846)
23	PIN	1		FOR SHIPPING ONLY
24	AH123905	ARM	1		
25	H128823	STRAP	1		
26	H128859	SCREW	1		4.089 X 22.280MM(0.161" X 0.877")
27	AH123910	BRACKET	1		
28	TY16302	WIPER BLADE	3		(SUB FOR AH123909)
29	AH123911	WIPER ARM	1		
30	AH149833	SHAFT	1		
31	21M7265	SCREW	2		M5 X 12, M5 X 12
32	12M7060	WASHER	1		5.300 MM, 4.826MM(0.140") (SUB FOR 12H295)
33	R78053	PIN CONTACT CONNECTOR BODY	1		(PKG. OF 3)
	R78058	PIN CONTACT	1		(PKG. OF 40)
	R78063	TERMINAL NIPPLE	1		(PKG. OF 40)
34	R63670	WELD NUT	1		KNURLED DRIVER (INCLUDED WITH AH123904 WIPER ARM)
35	AH123904	WIPER ARM	1		(INCLUDES KEYS 21, 24, 25, 27 AND 34)
36	12H297	LOCK WASHER	3		6.350 MM (1/4") (SUB FOR 12H356)
..	BH71948	COMPLETE GOODS/SHIP. BUNDLE	1		WINDSHIELD WIPER - LONG

1G11

ELECTRICAL

WINDSHIELD WIPER (SHORT)
HP5477 -UN-01JAN94



HP5477

1G12

ELECTRICAL

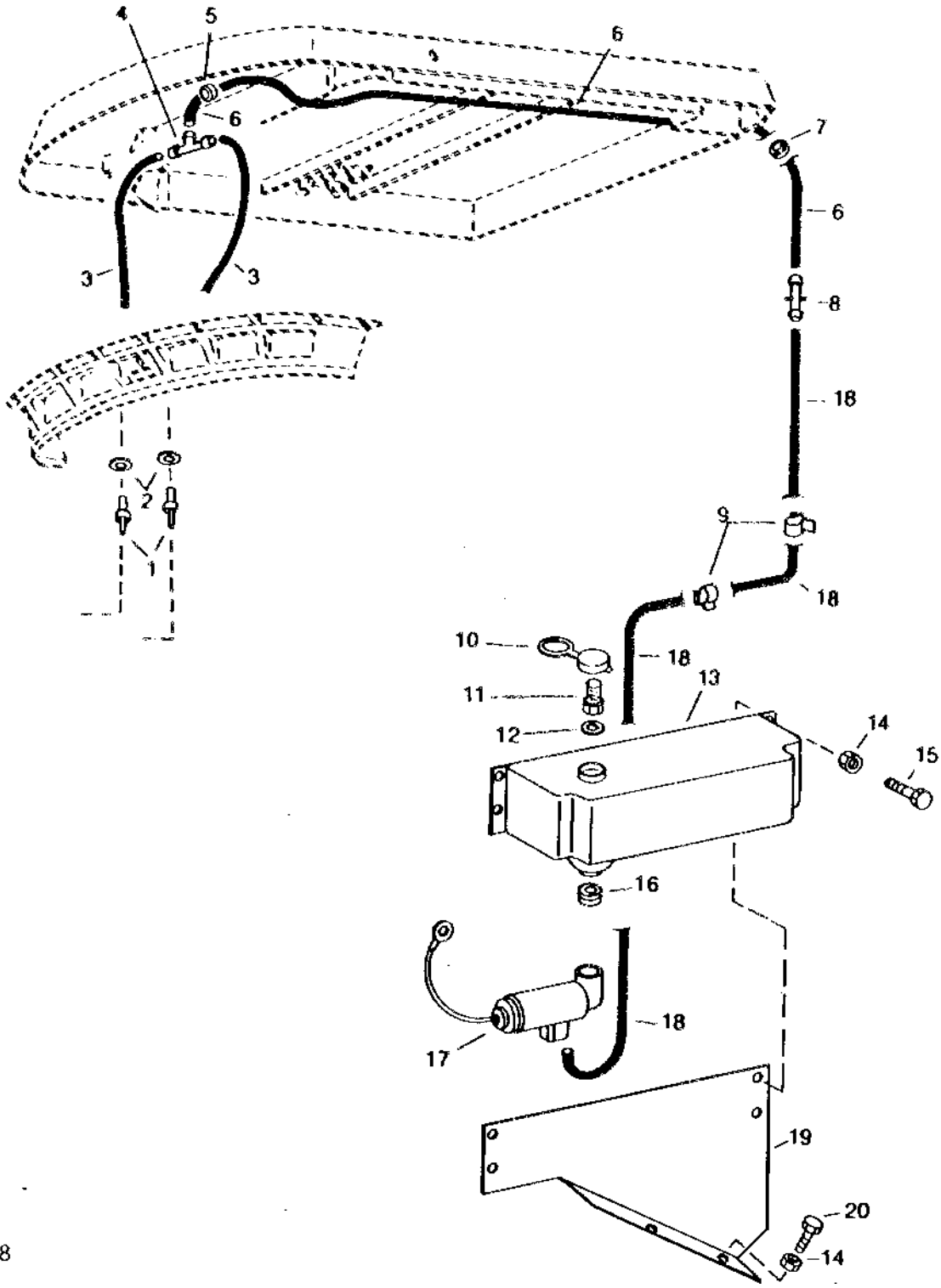
WINDSHIELD WIPER (SHORT) - CONTINUED

KEY	PART NO.	PART NAME	QTY	SERIAL NO.	REMARKS
1	21M7265	SCREW	2	M5 X 12	
2	12M7060	WASHER	2	0.209", (SUB FOR 12H295)	
3	AH123931	SHAFT	1	(INCLUDES U46507 AND AU43857)	
	U46507	PIN	1	(USE WITH AH123931)	
4	AU43853	LINK	1		
5	T32255	SHIM	2	0.381MM(0.015") (SUB FOR H134362)	
6	U46506	CLIP	2		
7	AT66481	WIPER MOTOR	1	(SUB FOR AH143409)	
8	AT141987	ARM	1	(USE WITH AT66481) DRIVE SHORT	
9	N10213	LOCK NUT	1	(USE WITH AT66481) 7.925MM(5/16")	
10	AH154278	BRACKET	1	(SUB FOR H128819)	
11	12H356	LOCK WASHER	3	1/4"	
12	19H3138	CAP SCREW	3	1/4" X 5/8"	
13	19M7865	SCREW	1	M8 X 16	
14	R34337	PLUG	1		
15	14M7303	FLANGE NUT	1	M6	
16	H128820	SUPPORT	1		
17	19M8317	SCREW	2	M8 X 40, (SUB FOR 19M8323)	
18	H128822	STUD	1		
19	T32255	SHIM	1	0.381MM(0.015") (SUB FOR H134362)	
20	T531T	LOCK NUT	1	4.775 MM (3/16") (SUB FOR H133765)	
21	F3220R	LOCK NUT	1	9.525 MM (3/8") (SUB FOR H133846)	
22	R63670	WELD NUT	1	(INCLUDES IN AH144503)	
23	AH144503	WIPER ARM	1	(INCLUDES (1) R63670)	
24	T35440	LOCK NUT	1	(SUB FOR H134368)	
25	H134367	SCREW	1	3.175 X 22.200 MM, (1/8" X 0.874")	
26	TY16304	WIPER BLADE	1	(SUB FOR AH123933)	
27	R63669	CAP	1		
28	R63668	NUT	1	17.475 MM (11/16")	
29	R63667	WASHER	1	18.263 X 28.575 X 1.575 MM (23/32" X 1-1/8" X 1/16")	
30	R63666	WASHER	1	18.288 X 28.448 X 1.524 MM (0.720" X 1.120" X 0.060")	
..	AH143422	WIRING HARNESS	1	WIPER ADAPTER	

1G13

ELECTRICAL

WINDSHIELD WASHER
HP3768 -UN-01JAN94



HP3768

1G14

ELECTRICAL

WINDSHIELD WASHER - CONTINUED

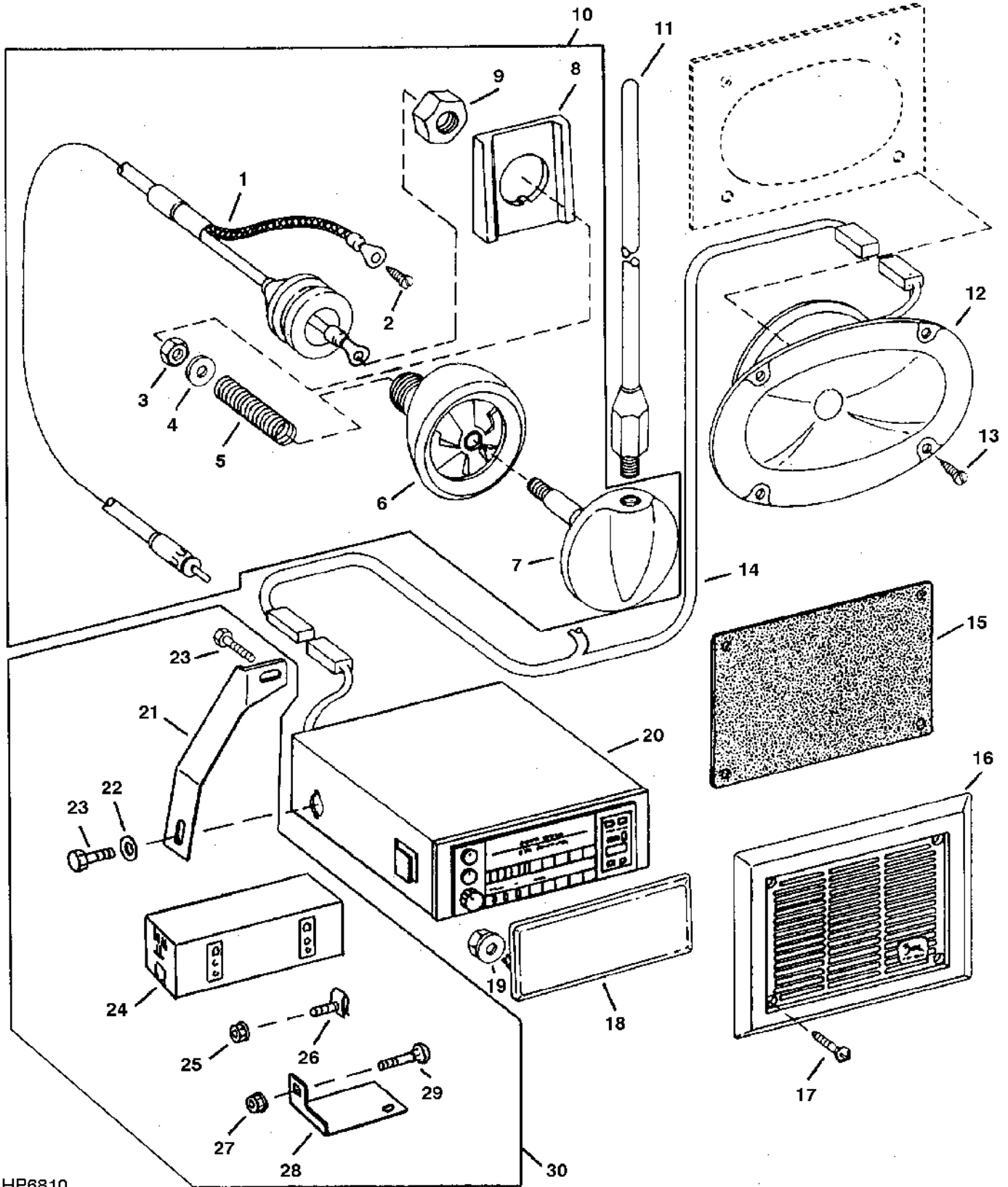
KEY	PART NO.	PART NAME	QTY	SERIAL NO.	REMARKS
1	AR79548	NOZZLE	2		
2	H145221	GROMMET	2		
3	R54447	HOSE	2		CUT TO LENGTH AS NEEDED.
4	R64061	TEE FITTING	1		
5	M68701	GROMMET	1		
6	R104595	BULK HOSE	1		(SUB FOR R54445)
7	H987R	GROMMET	1		
8	H132597	FITTING	1		
9	H76064	CLIP	2		
10	R64060	CAP	1		
11	AR79550	FILTER	1		
12	R64059	WASHER	1		16.256 X 26.162 X 2.286 MM
13	R64056	RESERVOIR	1		
14	14M7303	FLANGE NUT	4		M6
15	19M7775	SCREW	4		M6 X 16
16	R64058	GROMMET	1		
17	AR79549	PUMP	1		
18	R104595	BULK HOSE	1		(SUB FOR R54445) CUT TO LENGTH AS NEEDED
19	H131595	BRACKET	1		
20	19M7774	SCREW	2		M6 X 12
..	BH81578	COMPLETE GOODS/SHIP. BUNDLE	1		WINDSHIELD WASHER

1G15

ELECTRICAL

RADIO, SPEAKERS AND ANTENNA (OPTIONAL)

HP6810 -UN-12SEP97



HP6810

1G16

ELECTRICAL

RADIO, SPEAKERS AND ANTENNA - CONTINUED

KEY	PART NO.	PART NAME	QTY	SERIAL NO.	REMARKS
1	WIRING LEAD	1		
2	37M7089	SCREW	1	M6 X 12	
3	14M7152	NUT	1	M10	
4	24M7096	WASHER	1	10.500 X 18 X 1.600 MM	
5	SPRING	1		
6	FLANGE	1		
7	BASE	1		
8	SPACER	1		
9	14M7309	NUT	1	M24	
10	AH141012	KIT	1	ANTENNA	
11	AR104516	ANTENNA	1		
12	AH138098	SPEAKER	2		
13	37M7215	SCREW	4		
14	AH142155	WIRING HARNESS	1		
15	H145264	ISOLATOR	1		
16	H144255	GRILLE	2	-28SEP8	
	H168420	GRILLE	1	28SEP8-	
17	37M7100	SCREW	4		
18	H132795	PANEL	1		
19	H117239	FLANGE NUT	2		LESS RADIO
20	RE55277	RADIO	1		(NO LONGER AVAILABLE) (ORDER DIRECTLY FROM WATERLOO)
	RE55278	RADIO	1		
21	SUPPORT	1		
22	24M7027	WASHER	1	5.300 X 10 X 1 MM, USED ON 19M7700 CAP SCREW	
23	19M7700	CAP SCREW	2	M5 X 10	
24	SLEEVE	1		
25	14M7375	FLANGE NUT	1	M5	
26	BOLT	1		
27	14M7303	FLANGE NUT	1	M6, USED ON 03M7251	
28	BRACKET	1		
29	03M7251	BOLT	1	M6 X 12, THROUGH BRACKET AND SUPPORT	
30	AH140786	KIT	1		

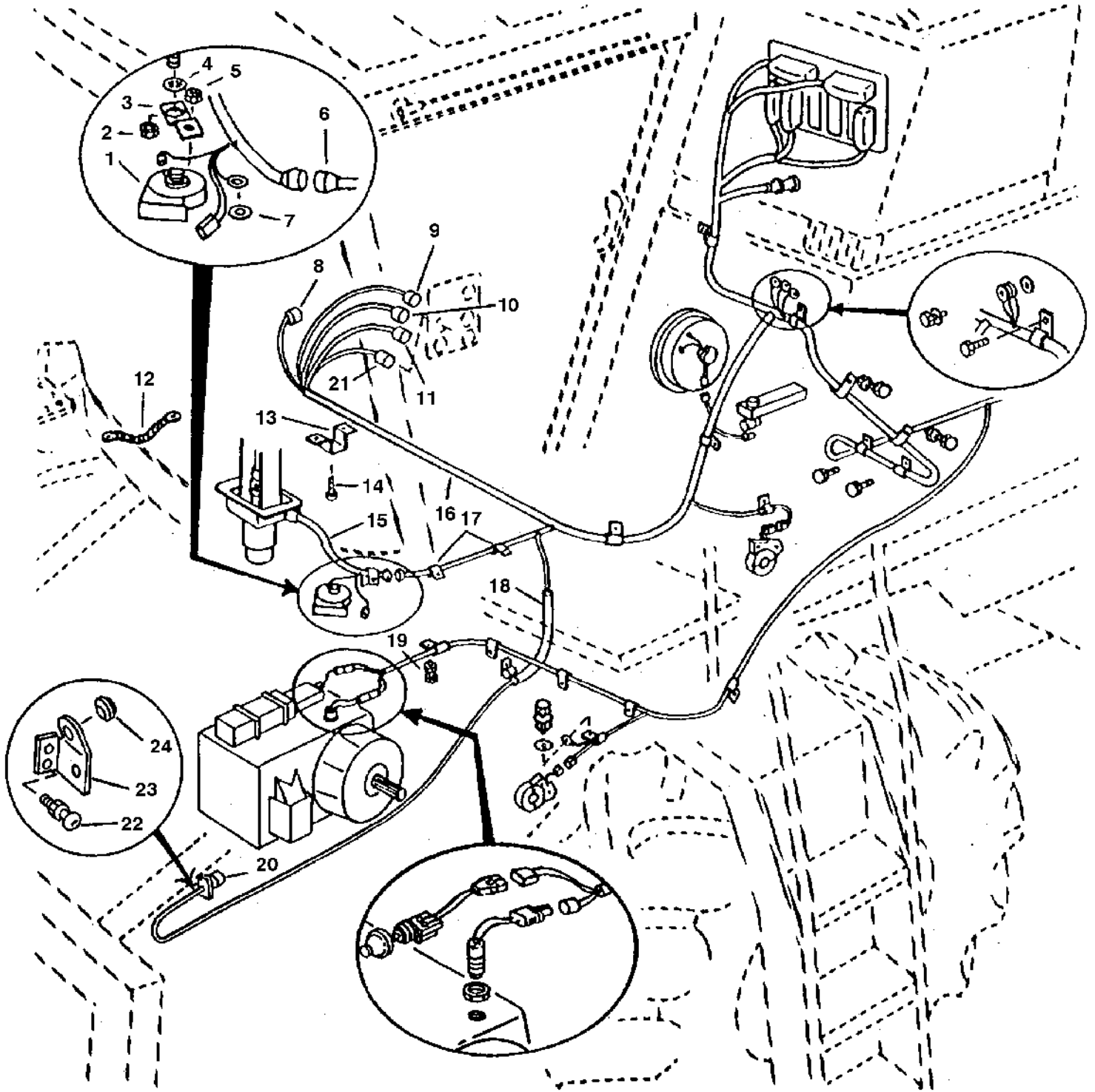
1G17

ELECTRICAL

L.H. MAIN WIRING HARNESS, FRONT

(-680100)

HP6811 -UN-12SEP97



HP6811

1G18

ELECTRICAL

L.H. MAIN WIRING HARNESS, FRONT - CONTINUED
(-680100)

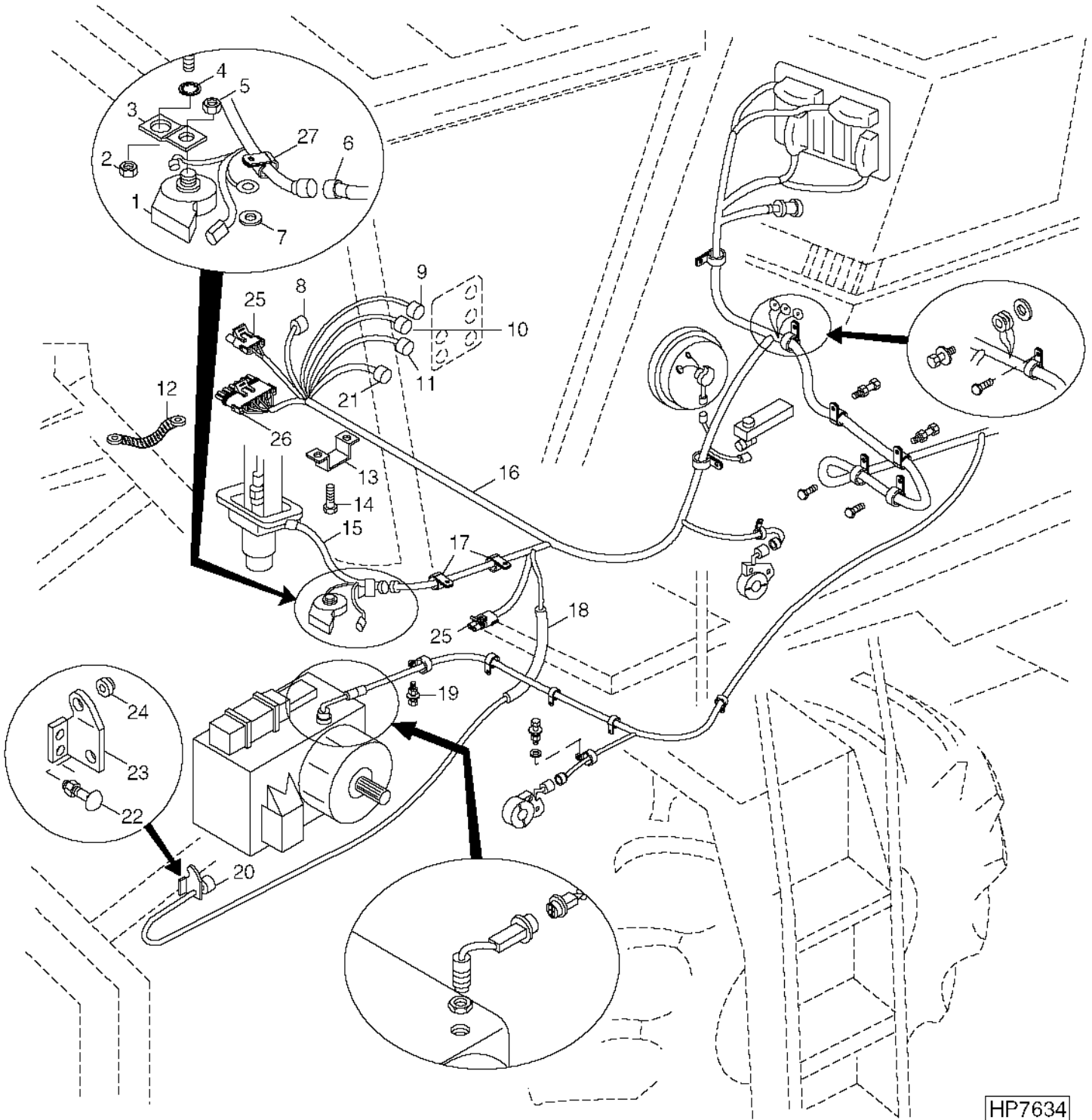
KEY	PART NO.	PART NAME	QTY	SERIAL NO.	REMARKS
1	AT39043	HIGH NOTE HORN	1		(SUB FOR AH153998)
2	14M7303	FLANGE NUT	1		M6
3	H125930	BRACKET	1		(SUB FOR H160476)
4	PT2314	WASHER	1		
5	14M7303	FLANGE NUT	1		M6
6	H118426	CONNECTOR	1		24 HOLES (FEMALE) TO STEERING COLUMN
	AE44930	CONNECTOR	1		
	R77465	SOCKET CONTACT	AR		
7	24M7139	WASHER	1		STEERING
8	AE44931	CONNECTOR	1		
	AH135787	ELECTRICAL PLUG	1		
	H140664	CONNECTOR	1		16 PIN CONNECTOR (MALE) TO R-H MAIN
9	AH135787	ELECTRICAL PLUG	1		16 HOLE CONNECTOR (FEMALE) TO CAB MAIN
	R77463	SOCKET CONTACT	AR		TO CAB MAIN
	R77465	SOCKET CONTACT	AR		TO CAB MAIN
10	R77457	ELECTRICAL PLUG	1		37 HOLES, (FEMALE) TO ARMREST
	AE44930	CONNECTOR	1		
	R77463	SOCKET CONTACT	AR		
11	AE44930	CONNECTOR	1		16 HOLE CONNECTOR (FEMALE) TO CAB MAIN
	R77465	SOCKET CONTACT	AR		
	H141325	CONNECTOR	1		
12	H131574	RETAINER	1		
13	AH125010	GROUND CABLE	1		
14	19M7865	SCREW	2		M8 X 16, TRANSMISSION SPEED
15	AH134296	WIRING HARNESS	1		STEERING COLUMN HARNESS
16	AH158472	WIRING HARNESS	1		
17	AH96317	CLIP	2		
18	H132800	HOSE	1		SLEEVE FOR PROTECTION
19	03M7221	BOLT	1		M6 X 16
	14M7303	FLANGE NUT	1		M6
20	AH135787	ELECTRICAL PLUG	1		16 PIN CONNECTOR (HOLDER HARNESS)
	H141325	CONNECTOR	1		16 PIN CONNECTOR
21	H130510	ELECTRICAL PLUG	1		TO AIR CONDITIONING HARNESS
22	03M7183	BOLT	1		M8 X 16
	14M7298	FLANGE NUT	1		M8
23	H134417	BRACKET	1		
24	H146306	PLUG	1		

1G19

ELECTRICAL

L.H. MAIN WIRING HARNESS, FRONT

(680101-)
HP7634 -UN-12NOV98



HP7634

1G20

ELECTRICAL

L.H. MAIN WIRING HARNESS, FRONT - CONTINUED
(680101-)

KEY	PART NO.	PART NAME	QTY	SERIAL NO.	REMARKS
1	AT39043	HIGH NOTE HORN	1		(SUB FOR AH153998)
2	14M7303	FLANGE NUT	1		M6
3	H125930	BRACKET	1		(SUB FOR H160476)
4	PT2314	WASHER	1		
5	14M7303	FLANGE NUT	1		M6
6	H118426	CONNECTOR	1		24 HOLES, FEMALE
	R78067	SOCKET CONTACT	2		
	57M7546	SOCKET CONTACT	3		
	RE42068	SOCKET CONTACT	6		
7	24M7139	WASHER	1		STEERING
8	AE44927	CONNECTOR	1		(FEMALE) TO R.H. MAIN (24-PIN)
	R78067	SOCKET CONTACT	2		
	57M7546	SOCKET CONTACT	1		
9	AH135787	ELECTRICAL PLUG	1		
	RE42068	SOCKET CONTACT	1		
	57M7546	SOCKET CONTACT	4		
	R78057	SOCKET CONTACT	1		(USE WITH R78059)
10	R77457	ELECTRICAL PLUG	1		37 HOLES, (FEMALE) TO ARMREST
	57M7546	SOCKET CONTACT	AR		
	RE42068	SOCKET CONTACT	AR		
	R104846	SOCKET CONTACT	AR		(USE WITH 57M7258)
11	Z63630	ELECTRICAL PLUG	1		16 HOLE CONNECTOR (FEMALE) TO CAB MAIN
	N282070	SOCKET CONTACT	1		
	U46662	TERMINAL	1		
	R78067	SOCKET CONTACT	1		
	57M7251	TERMINAL	1		
12	H131574	RETAINER	1		
13	AH125010	GROUND CABLE	1		
14	19M7865	SCREW	2		M8 X 16, TRANSMISSION SPEED
15	AH134296	WIRING HARNESS	1		STEERING COLUMN HARNESS
16	AH158472	WIRING HARNESS	1	680231-	
	AH162647	WIRING HARNESS	1		L.H. MAIN
	AH162648	WIRING HARNESS	1		L.H. MAIN
17	AH96317	CLIP	2		
18	H132800	HOSE	1		SLEEVE FOR PROTECTION
19	03M7221	BOLT	1		M6 X 16
	14M7303	FLANGE NUT	1		M6
20	AH135787	ELECTRICAL PLUG	1		16 PIN CONNECTOR (HOLDER HARNESS)
	N282070	SOCKET CONTACT	1		
	RE42068	SOCKET CONTACT	3		
21	H130510	ELECTRICAL PLUG	1		TO AIR CONDITIONING HARNESS
22	03M7183	BOLT	1	-675497	M8 X 16
	14M7298	FLANGE NUT	1	-675497	M8
23	H134417	BRACKET	1		
24	H146306	PLUG	1		
25	RE12363	CONNECTOR	2		(USE WITH R78053 AND R78064) LEFT AND RIGHT SIDE OPTICAL LAMP
	R78063	SOCKET CONTACT	AR		
26	R78056	PIN CONTACT CONNECTOR BODY	1		TO HEADER R.H. SENSOR HARNESS
	57M7251	TERMINAL	1		(USE WITH R78059)
27	AH89557	CLIP	8		

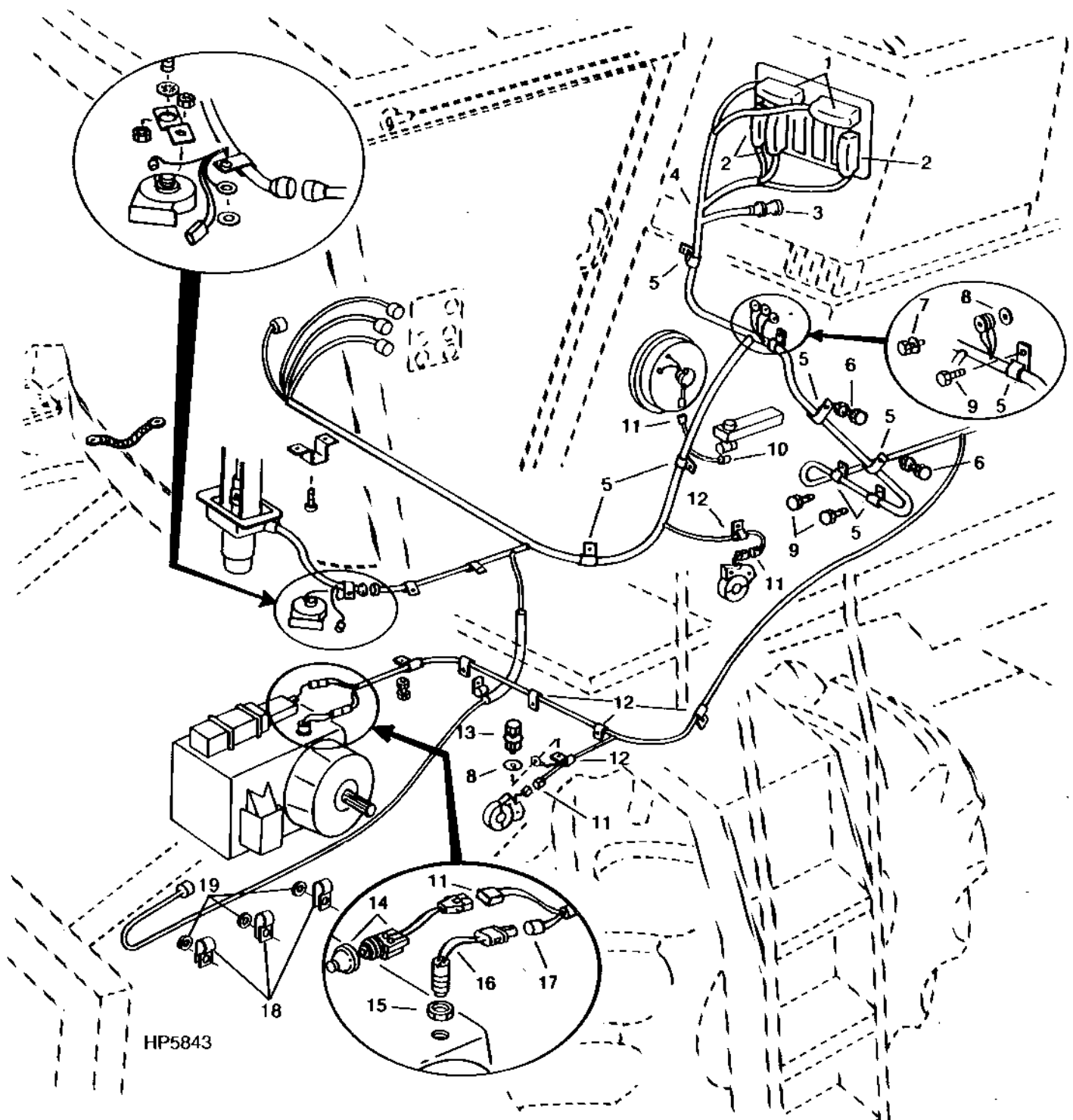
1G21

ELECTRICAL

L.H. MAIN WIRING HARNESS, FRONT

(-680100)

HP5843 -UN-15OCT94



1G22

ELECTRICAL

L.H. MAIN WIRING HARNESS, FRONT - CONTINUED
 (-680100)

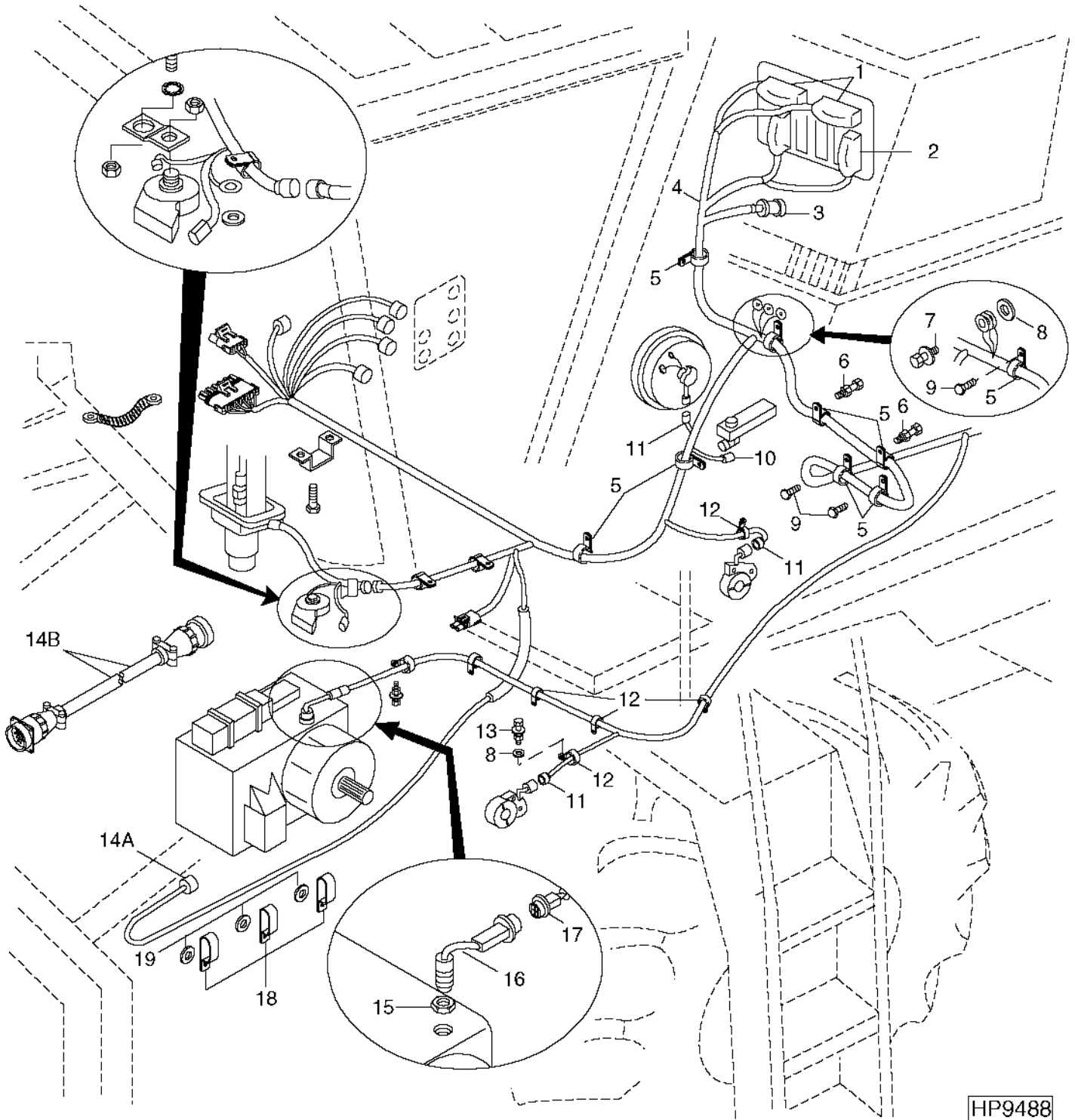
KEY	PART NO.	PART NAME	QTY	SERIAL NO.	REMARKS
1	H132513	CONNECTOR	1		22 HOLES, FEMALE - FOR CEM
	H141127	BOOT	2		FOR CEM
	M86436	TIE BAND	1		
	SOCKET CONTACT	AR		FOR CEM - SIZE 12 - 8 USED
	R78065	SOCKET CONTACT	AR		FOR CEM - SIZE 16 - 12 USED
	SOCKET CONTACT	AR		FOR CEM - SIZE 4 - 1 USED
	AH136356	SCREW AND WASHER KIT	1		REPAIRS TWO CONNECTORS (BOTH HALVES)
2	H141127	BOOT	3		FOR CEM
	H141406	TIE BAND	3		FOR CEM
	R77463	SOCKET CONTACT	3		FOR CEM
	R77465	SOCKET CONTACT	AR		FOR CEM
3	H118427	CONNECTOR	1		22 HOLES (MIXED) TO GRAIN TANK
	R77463	SOCKET CONTACT	AR		
	R77465	SOCKET CONTACT	AR		
4	AH158472	WIRING HARNESS	1		
5	AH77869	CLIP	8		
6	19M7865	SCREW	2		M8 X 16
	H131531	NUT	2		8 MM
7	37M7083	SCREW	1		M8 X 12
	24M7055	WASHER	1		8.400 X 16 X 1.600 MM
8	12M7032	LOCK WASHER	2		8.400 MM
9	37M7083	SCREW	3		M8 X 12
10	M43835	FLAT CONNECTOR	1		TO WINDSHIELD WASHER PUMP
	U46662	TERMINAL	1		
11	RE12363	CONNECTOR	3		(PKG OF 3) TO HEADER CLUTCH, TAILING ELEV. LSSM, CONVEYOR AUGER LSSM
	R78048	TERMINAL NIPPLE	1		(PKG OF 40)
	R78060	SOCKET CONTACT	1		(PKG OF 40)
12	AH89557	CLIP	5		
13	37M7059	SCREW	1		M5 X 12
	24M7055	WASHER	1		8.400 X 16 X 1.600 MM
	14M7298	FLANGE NUT	1		M8
14	AH140605	SWITCH	1		MANUAL PARK BRAKE
15	H104418	NUT	1		19.050 MM (3/4")
16	AH116104	SENSOR	1		TRANSMISSION SPEED
17	R78053	PIN CONTACT CONNECTOR BODY	1		(PKG OF 3) TO GROUND SPEED SENSOR
	R78063	TERMINAL NIPPLE	1		(PKG OF 5)
18	AH96317	CLIP	3		
19	12M7032	LOCK WASHER	3		8.400 MM (0.331")

1G23

ELECTRICAL

L.H. MAIN WIRING HARNESS, FRONT

(680101-)
HP9488 -UN-11JAN00



1G24

ELECTRICAL

L.H. MAIN WIRING HARNESS, FRONT - CONTINUED
(680101-)

KEY	PART NO.	PART NAME	QTY	SERIAL NO.	REMARKS
1	H141127	BOOT	4		FOR CEB
	H132513	CONNECTOR	2		TO CEB BOARD SLOT 1A AND 1B
	R78067	SOCKET CONTACT	AR		
	57M7546	TERMINAL	AR		
	N282070	SOCKET CONTACT	AR		USE ON BOARD SLOT 1A
	R75036	SOCKET CONTACT	AR		
2	57M7818	ELECTRICAL PLUG	1		TO DASH
	H141406	TIE BAND	3		FOR CEM
	RE42068	SOCKET CONTACT	3		
3	H118427	CONNECTOR	1		22 HOLES (MIXED) TO GRAIN TANK
	N282070	SOCKET CONTACT	1		
	RE42068	SOCKET CONTACT	5		
4	AH158472	WIRING HARNESS	1	680231-	L.H. MAIN
	AH162647	WIRING HARNESS	1		L.H. MAIN
	AH162648	WIRING HARNESS	1		L.H. MAIN
5	AH77869	CLIP	8		
6	19M7865	SCREW	2		M8 X 16
	H131531	NUT	2		8 MM
7	37M7083	SCREW	1		M8 X 12
	24M7055	WASHER	1		8.400 X 16 X 1.600 MM
8	12M7032	LOCK WASHER	2		8.400 MM
9	37M7083	SCREW	3		M8 X 12
10	M43835	FLAT CONNECTOR	1		
	U46662	TERMINAL	1		
11	RE12363	CONNECTOR	3		(PKG OF 3) TO HEADER CLUTCH, TAILING ELEV. LSSM, CONVEYOR AUGER LSSM
	R78048	TERMINAL NIPPLE	1		(PKG OF 40)
	R78057	SOCKET CONTACT	2		(USE WITH R78059) TAILINGS ELEV. LSSM
	R78063	SOCKET CONTACT	1		HEADER CLUTCH
12	AH89557	CLIP	5		
13	37M7059	SCREW	1		M5 X 12
	24M7055	WASHER	1		8.400 X 16 X 1.600 MM
	14M7298	FLANGE NUT	1		M8
14A	Z55270	ELECTRICAL PLUG	1		TO LATERAL TILT CONTROL
	Z55267	ELECTRICAL PLUG	1		TO DIAL-A-MATIC AHHC
	RE42068	SOCKET CONTACT	AR		
14B	AH168231	WIRING HARNESS	1		WIRING HARNESS REPAIR KIT (INCLUDES MATING CONNECTOR AND TERMINALS) 19.050 MM (3/4")
15	H104418	NUT	1		
16	AH116104	SENSOR	1		TRANSMISSION SPEED
17	R78053	PIN CONTACT CONNECTOR BODY	1		(PKG OF 3) TO GROUND SPEED SENSOR
18	AH96317	CLIP	3		
19	12M7032	LOCK WASHER	3		8.400 MM (0.331")

1H1

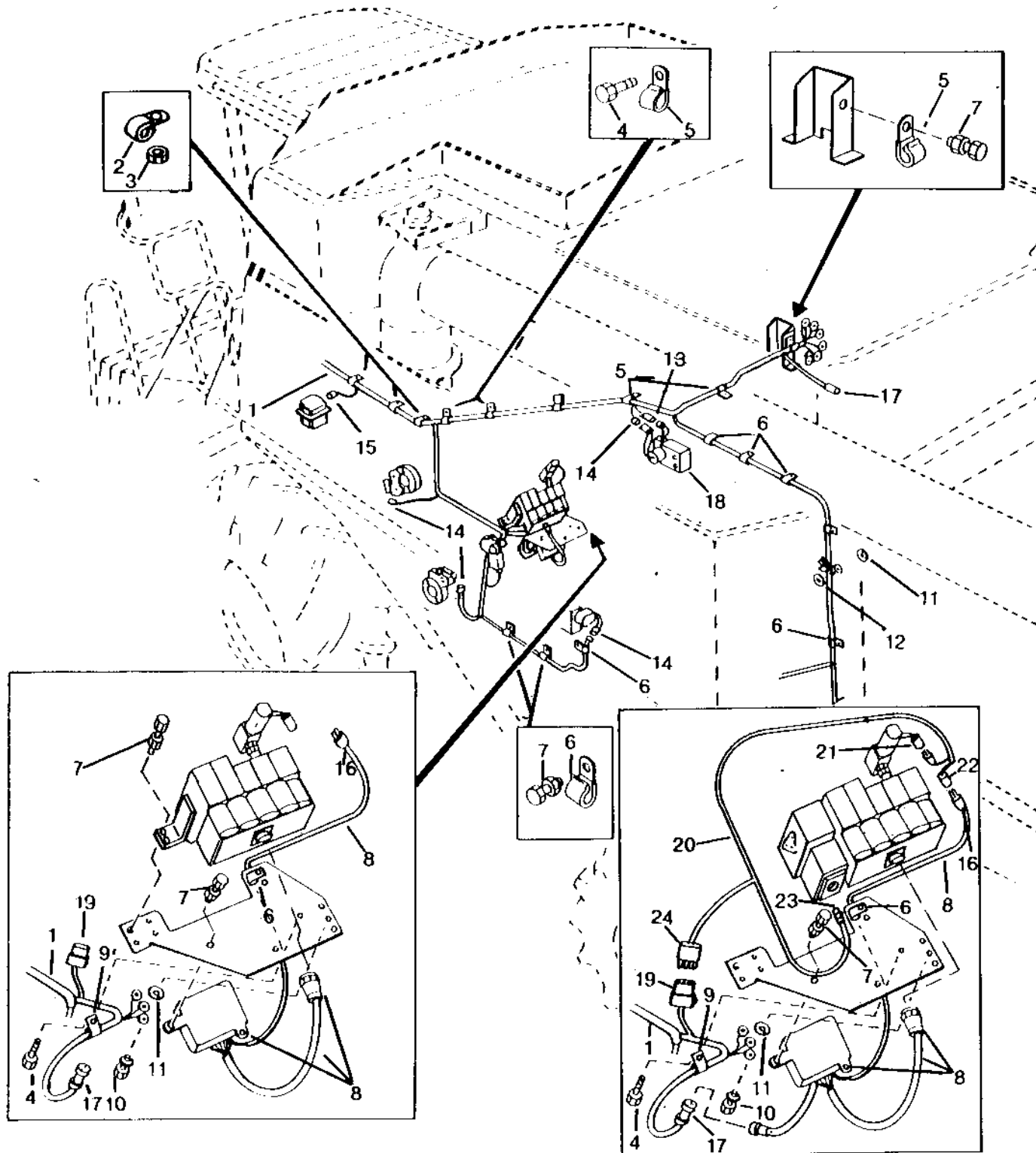
ELECTRICAL

L.H. MAIN WIRING HARNESS, CENTER

(-680100)

HP5953

-UN-27APR95



HP5953

1H2

ELECTRICAL

L.H. MAIN WIRING HARNESS, CENTER - CONTINUED
 (-680100)

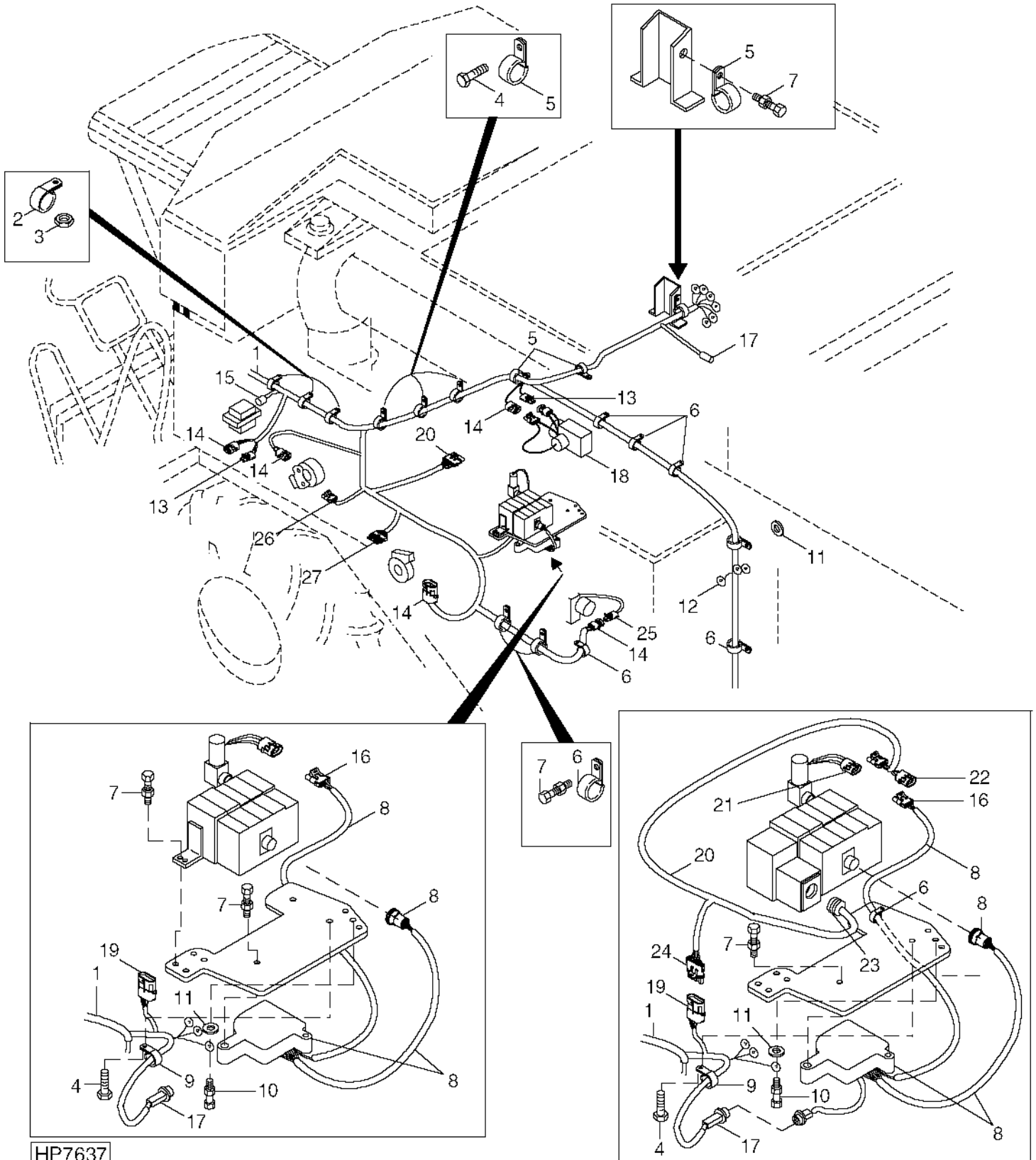
KEY	PART NO.	PART NAME	QTY	SERIAL NO.	REMARKS
1	AH158472	WIRING HARNESS	1		
2	AH130222	CLAMP	3		
3	14M7299	FLANGE NUT	3	M12	
4	37M7083	SCREW	3	M8 X 12	
5	AH90990	CLIP	5		
6	AH89557	CLIP	9		
7	19M7865	SCREW	5	M8 X 16	
	14M7298	FLANGE NUT	5	M8	
8	AH129045	MODULE	1	(LOGIC) INCLUDES CONNECTOR AND RETAINER	
	H118426	CONNECTOR	1	29 PIN	
	R77458	CONNECTOR	1		
9	AH96317	CLIP	1		
10	37M7083	SCREW	1	M8 X 12	
	37M7058	SCREW	1	M8 X 20, (IMPORT)	
	24M7055	WASHER	1	8.400 X 16 X 1.600 MM	
11	12M7032	LOCK WASHER	2	8.400 MM	
12	24M7055	WASHER	1	8.400 X 16 X 1.600 MM	
13	R78053	PIN CONTACT CONNECTOR BODY	2	MALE, (PKG OF 3) TO HYDRO CHARGE PRESSURE, GROUND SPEED LSSM	
	R78063	TERMINAL NIPPLE	1	(PKG OF 40)	
14	RE12363	CONNECTOR	1	TO CONVEYOR AUGER LSSM	
	R78048	TERMINAL NIPPLE	1	(PKG OF 5)	
15	AE44392	CONNECTOR	1	4 HOLES (FEMALE) TO REEL SPEED ACTUATOR	
	R77465	SOCKET CONTACT	1		
16	RE12363	CONNECTOR	1	(PKG OF 3) TO DIAL-A-MATIC DROP RATE SOLENOID	
	R78048	TERMINAL NIPPLE	1	(PKG OF 5)	
	R78060	SOCKET CONTACT	2	(PKG OF 40)	
17	AH135787	ELECTRICAL PLUG	1	16 HOLE CONNECTOR, TO ENGINE LOGIC MODULE	
	H141325	CONNECTOR	1		
18	AH128929	SWITCH	1	HYDRO CHARGER PRESSURE	
19	R78055	PIN CONTACT CONNECTOR BODY	1	TO TILT VALVES	
	R78058	PIN CONTACT	1	(PKG OF 40) (18 GA. WIRE)	
	R78061	PIN CONTACT	AR	(PKG OF 40) (16 GA. WIRE)	
	R78063	TERMINAL NIPPLE	1	(PKG OF 40) (16 GA. WIRE) (GRAY)	
	R78059	ELECTRICAL PLUG	1	(PKG OF 40) (18 GA. WIRE) (GREEN)	
20	AH145056	WIRING HARNESS	1	(USE WITH CONTOUR MASTER ONLY)	
21	RE12363	CONNECTOR	1	(PKG OF 3) 2-PIN	
	R78048	TERMINAL NIPPLE	1	(PKG OF 5)	
	R78060	SOCKET CONTACT	AR	(PKG OF 40) (16 GA. WIRE)	
	R78063	TERMINAL NIPPLE	AR	(PKG OF 40)	
22	RE12364	SOCKET CONT.CONNECTOR BODY	1	(PKG OF 3) 2-PIN	
	R78049	SEAL	1	(PKG OF 5)	
	R78060	SOCKET CONTACT	2	(PKG OF 40)	
	R78063	TERMINAL NIPPLE	2	(PKG OF 40)	
23	AE44392	CONNECTOR	1	TO TILT VALVE (4-PIN)	
24	RE12365	CONNECTOR	1	(PKG OF 2) 4-PIN	
	R78050	SEAL	1	(PKG OF 5)	
	R78060	SOCKET CONTACT	AR	(PKG OF 40)	
	R78063	TERMINAL NIPPLE	2	(PKG OF 40)	
25	RE12363	CONNECTOR	1	TO POWERED REAR WHEELS (2-PIN)	
26	Z62206	SOCKET CONTACT	1	TO FAN SPEED ACTUATOR	
27	57M7261	RECEPTACLE CONNECTOR BODY	1	TO UNLOADING AUGER SWING CONTROLLER	

1H3

ELECTRICAL

L.H. MAIN WIRING HARNESS, CENTER - CONTINUED

(680101-)
HP7637 -UN-25NOV98



HP7637

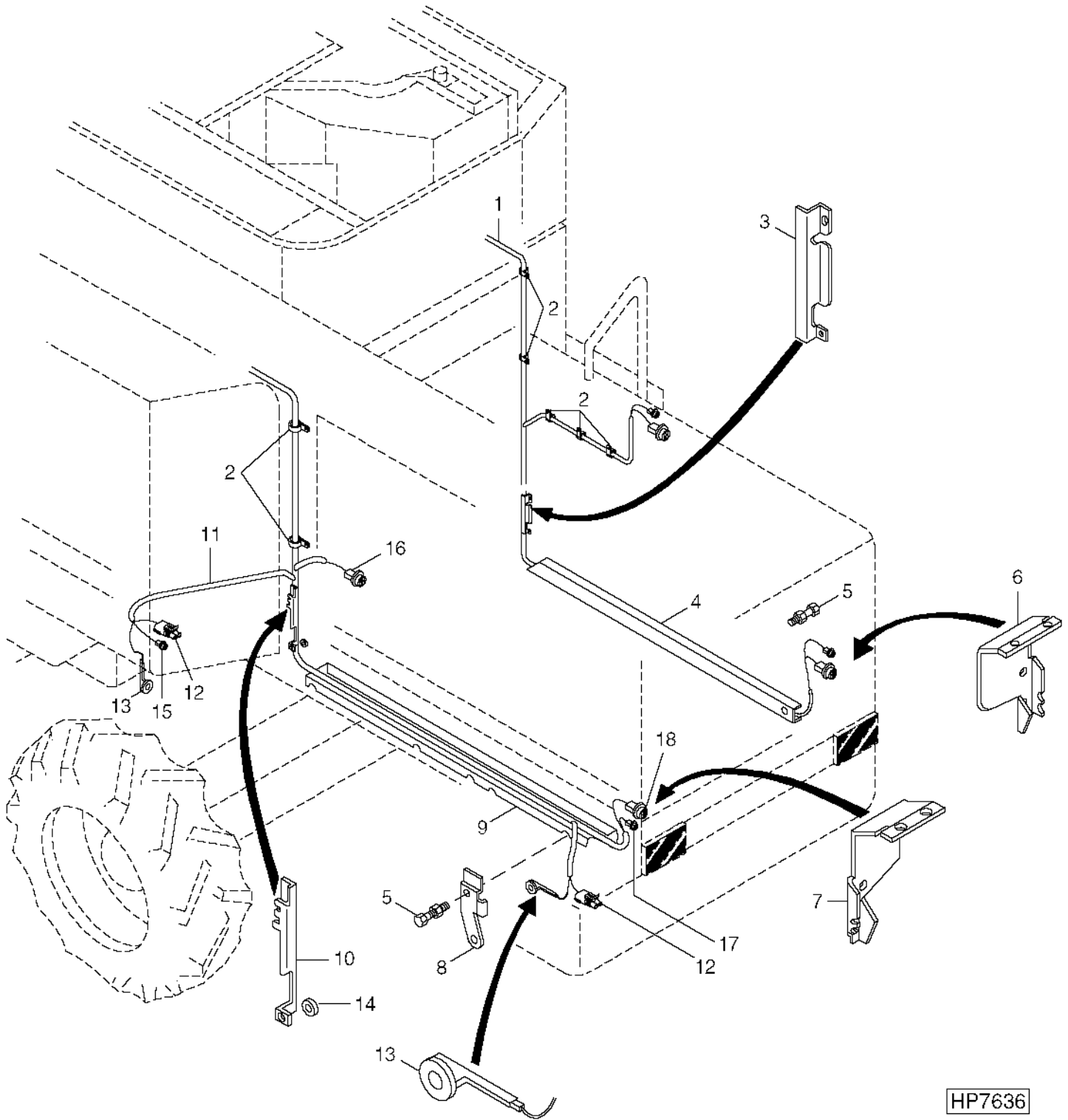
L.H. MAIN WIRING HARNESS, CENTER - CONTINUED
(680101-)

KEY	PART NO.	PART NAME	QTY	SERIAL NO.	REMARKS
1	AH158472	WIRING HARNESS	1	680231-	L.H. MAIN
	AH162647	WIRING HARNESS	1		L.H. MAIN
	AH162648	WIRING HARNESS	1		L.H. MAIN
2	AH130222	CLAMP	3		
3	14M7299	FLANGE NUT	3		M12
4	37M7083	SCREW	3		M8 X 12
5	AH90990	CLIP	5		
6	AH89557	CLIP	9		
7	19M7865	SCREW	5		M8 X 16
	14M7298	FLANGE NUT	5		M8
8	AH129045	MODULE	1		(LOGIC) INCLUDES CONNECTOR AND RETAINER
	H118426	CONNECTOR	1		29 PIN
	R77458	CONNECTOR	1		
9	AH96317	CLIP	1		
10	37M7083	SCREW	1		M8 X 12
	37M7058	SCREW	1		M8 X 20, (IMPORT)
	24M7055	WASHER	1		8.400 X 16 X 1.600 MM
11	12M7032	LOCK WASHER	2		8.400 MM
12	24M7055	WASHER	1		8.400 X 16 X 1.600 MM
13	R78053	PIN CONTACT CONNECTOR BODY	1		MALE, (PKG OF 3) TO HYDRO CHARGE PRESSURE, GROUND SPEED LSSM
	R78058	PIN CONTACT	AR		(USE WITH R78059)
14	RE12363	CONNECTOR	1		TO CONVEYOR AUGER LSSM
	R78057	SOCKET CONTACT	1		
	R78067	SOCKET CONTACT	2		
15	AE44392	CONNECTOR	1		4 HOLES (FEMALE) TO REEL SPEED ACTUATOR
	RE42068	SOCKET CONTACT	1		
16	RE12363	CONNECTOR	1		(PKG OF 3) TO DIAL-A-MATIC DROP RATE SOLENOID
	R78048	TERMINAL NIPPLE	1		(PKG OF 5)
	R78060	SOCKET CONTACT	1		(PKG OF 40)
17	AH135787	ELECTRICAL PLUG	1		16 HOLE CONNECTOR, TO ENGINE LOGIC MODULE
	RE42068	SOCKET CONTACT	1		
	57M7546	TERMINAL	1		
	N282070	SOCKET CONTACT	1		
18	AH128929	SWITCH	1		HYDRO CHARGER PRESSURE
19	R78055	PIN CONTACT CONNECTOR BODY	1		TO TILT VALVES
	R78058	PIN CONTACT	1		(PKG OF 40) (18 GA. WIRE)
	R78061	PIN CONTACT	AR		(PKG OF 40) (16 GA. WIRE)
	R78063	TERMINAL NIPPLE	1		(PKG OF 40) (16 GA. WIRE) (GRAY)
	R78059	ELECTRICAL PLUG	1		(PKG OF 40) (18 GA. WIRE) (GREEN)
20	SOCKET CONTACT	1		TO LEFT SHOE LIGHT
21	RE12363	CONNECTOR	1		(PKG OF 3) 2-PIN
	R78048	TERMINAL NIPPLE	1		(PKG OF 5)
	R78060	SOCKET CONTACT	AR		(PKG OF 40) (16 GA. WIRE)
	R78063	TERMINAL NIPPLE	AR		(PKG OF 40)
22	RE12364	SOCKET CONT.CONNECTOR BODY	1		(PKG OF 3) 2-PIN
	R78049	SEAL	1		(PKG OF 5)
	R78060	SOCKET CONTACT	2		(PKG OF 40)
	R78063	TERMINAL NIPPLE	2		(PKG OF 40)
23	R78055	PIN CONTACT CONNECTOR BODY	1		TO TILT VALVE (4-PIN)
24	RE12365	CONNECTOR	1		(PKG OF 2) 4-PIN
	R78050	SEAL	1		(PKG OF 5)
	R78060	SOCKET CONTACT	AR		(PKG OF 40)
	R78063	TERMINAL NIPPLE	2		(PKG OF 40)
25	RE12363	CONNECTOR	1		TO POWERED REAR WHEELS (2-PIN)
	57M7551	TERMINAL	1		
26	Z62206	CONNECTOR	1		TO FAN SPEED ACTUATOR
	R78067	SOCKET CONTACT	2		
27	57M7261	RECEPTACLE CONNECTOR BODY	1		TO UNLOADING AUGER SWING CONTROLLER
	R104846	SOCKET CONTACT	4		(USE WITH 57M7258)
	57M7572	SOCKET CONTACT	1		
	RE42068	SOCKET CONTACT	1		

1H5

ELECTRICAL

L.H. AND R.H. MAIN WIRING HARNESS, REAR
HP7636 -UN-12NOV98



HP7636

1H6

ELECTRICAL

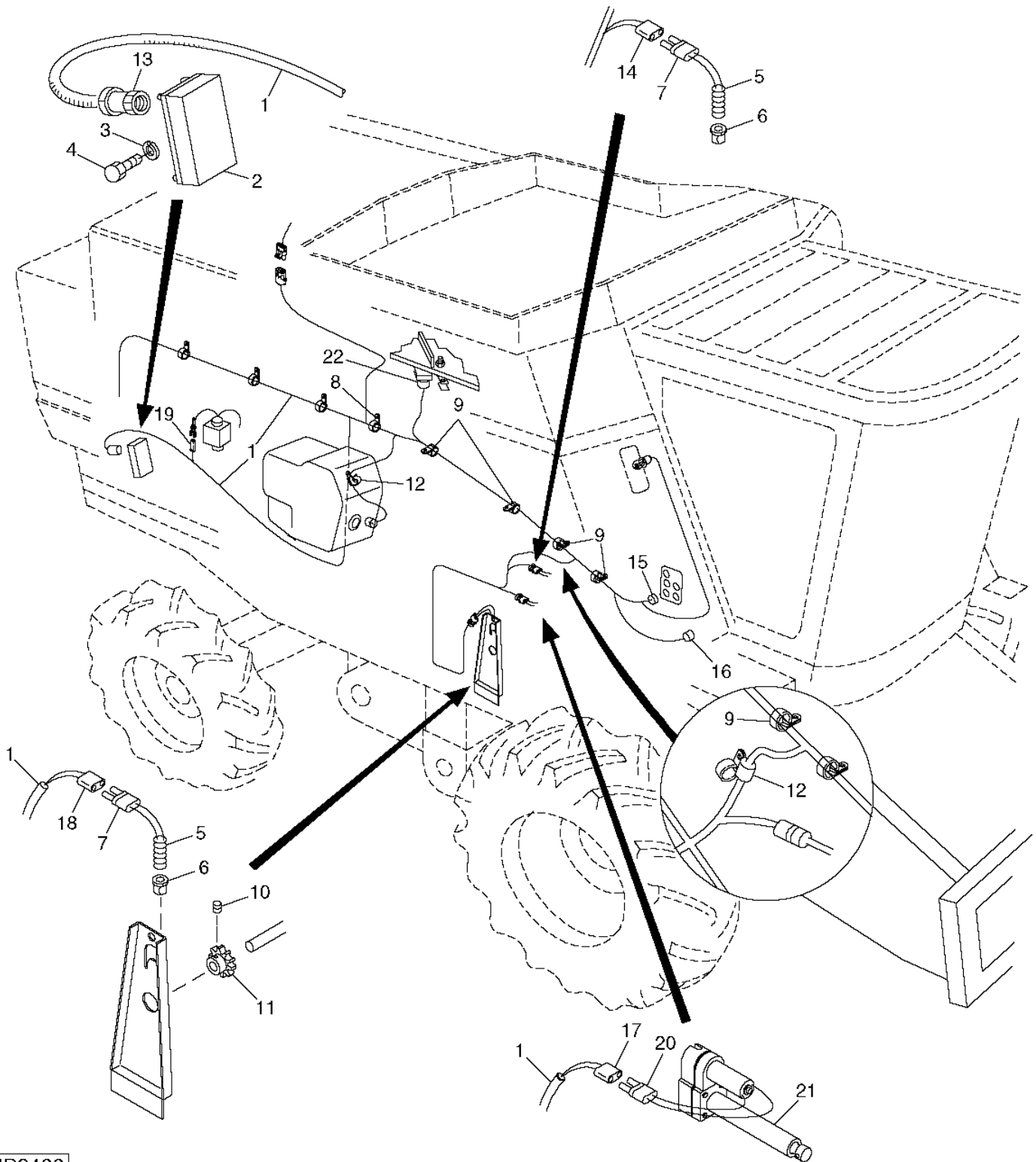
L.H. AND R.H. MAIN WIRING HARNESS, REAR - CONTINUED

KEY	PART NO.	PART NAME	QTY	SERIAL NO.	REMARKS
1	AH155916	WIRING HARNESS	1		R.H. MAIN WITHOUT GREENSTAR
	AH154828	WIRING HARNESS	1		R.H. MAIN WITH GREENSTAR
2	AH89557	CLIP	7		
3	H137731	SHIELD	1		R.H.
4	H131017	SHIELD	1		R.H.
5	19M7867	SCREW	10		M8 X 25
	14M7298	FLANGE NUT	10		M8
6	H134171	SHIELD	1		R.H.
7	H134172	SHIELD	1		L.H.
8	H134831	RETAINER	1		
	37M7058	SCREW	1		M8 X 20
9	H144013	SHIELD	1		
10	H143462	SHIELD	1		
11	AH158472	WIRING HARNESS	1	-680100	L.H. MAIN
	AH158472	WIRING HARNESS	1	680231-	
	AH162647	WIRING HARNESS	1	680101-	L.H. MAIN
12	R78053	PIN CONTACT CONNECTOR BODY	2		(PKG OF 3), BUILT IN CHOPPER GROUND
	R78063	SOCKET CONTACT	AR	-680100	(PKG OF 40)
	R78067	SOCKET CONTACT	2	680101-	
	57M7572	TERMINAL	1		
13	RE12363	CONNECTOR	1		(PKG OF 3) TO STRAW CHOPPER SENSOR
	R78048	SOCKET CONTACT	1		(PKG OF 5)
15	57M7458	CONNECTOR	1	680101-	TO L.H. CENTER SIDE MARKER LIGHT
	N282070	SOCKET CONTACT	1	680101-	
16	CONNECTOR	1	680101-	TO L.H. REAR GRAIN TANK WARNING LIGHT
	57M7571	TERMINAL	1	680101-	
17	57M7458	CONNECTOR	1	680101-	TO L.H. REAR HOOD SIDE MARKER LIGHT
	N282070	SOCKET CONTACT	1	680101-	
18	CONNECTOR	1	680101-	TO L.H. TAIL/BRAKE LIGHT
	57M7572	TERMINAL	1	680101-	
	57M7546	TERMINAL	1	680101-	
..	AH140120	KIT	1		

1H7

ELECTRICAL

R.H. MAIN WIRING HARNESS
HP9406 -UN-13JAN00



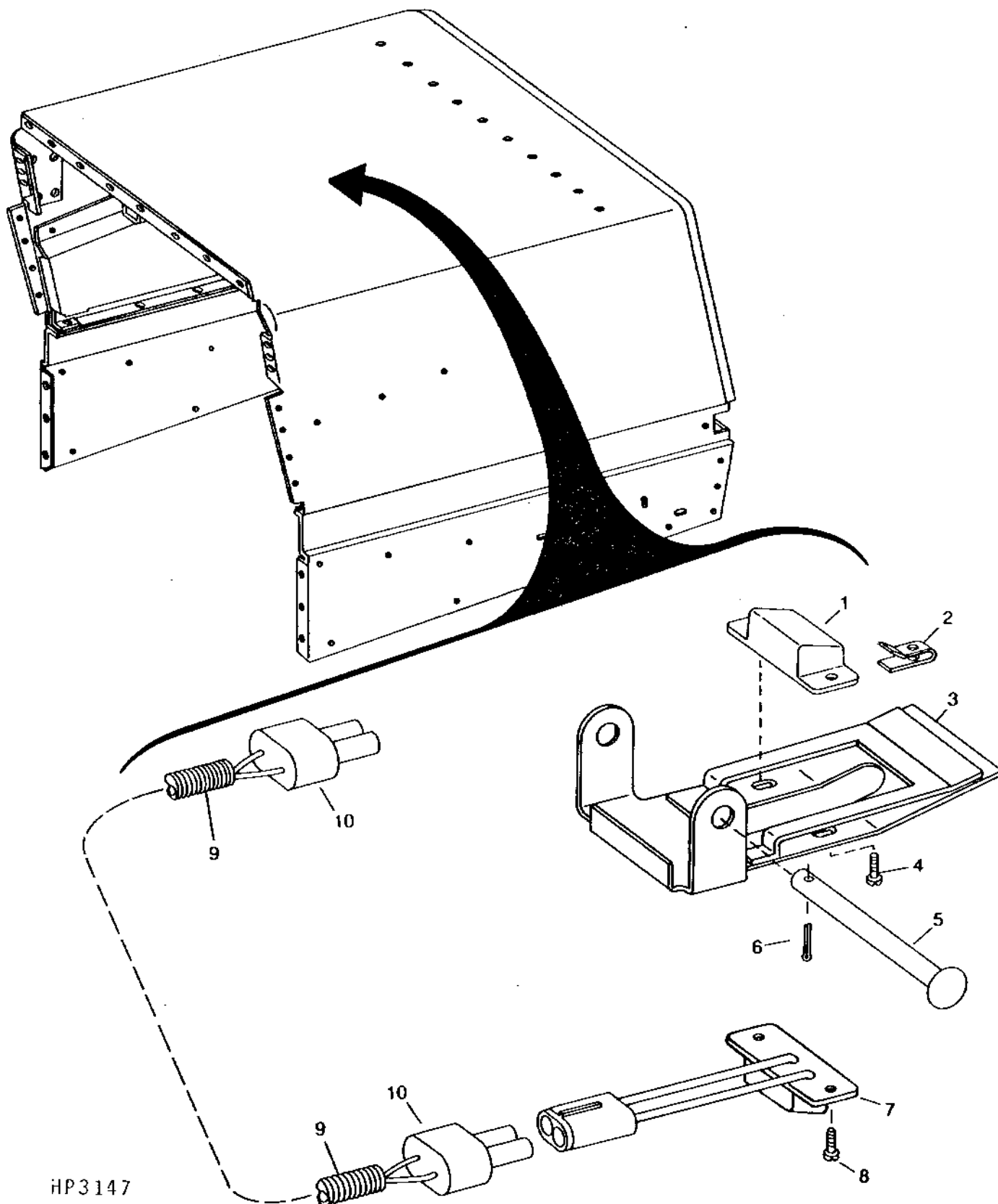
HP9406

R.H. MAIN WIRING HARNESS - CONTINUED

KEY	PART NO.	PART NAME	QTY	SERIAL NO.	REMARKS
1	AH154828	WIRING HARNESS	1		WITH GREENSTAR
	AH155916	WIRING HARNESS	1		WITHOUT GREENSTAR
2	AH125744	RELAY MODULE	1		HARVESTRAK
3	12H310	LOCK WASHER	1		3/8"
4	37M7058	SCREW	1		M8 X 20
5	AH116104	SENSOR	2		LOW SHAFT SPEED
6	H160880	CLIP	2		
7	RE12363	CONNECTOR	1		(PKG OF 3)
	R78048	TERMINAL NIPPLE	1		(PKG OF 5)
	R78060	SOCKET CONTACT	2		(PKG OF 40)
8	AH90990	CLIP	2		
9	H117952	CLAMP	6		
10	22M7027	SET SCREW	1		M6 X 16
11	H122372	WHEEL	1		
12	AH89557	CLIP	2		
13	AE44392	CONNECTOR	1		4 HOLES, FEMALE (INTO PRE-AMP MODULE)
	R77463	SOCKET CONTACT	AR		
14	R78053	PIN CONTACT CONNECTOR BODY	1		(PKG OF 3)
	R78063	TERMINAL NIPPLE	2		(PKG OF 40)
	R78058	PIN CONTACT	2		(PKG OF 40)
	R78059	ELECTRICAL PLUG	1		(PKG OF 40)
15	R77457	ELECTRICAL PLUG	1		37 HOLES, FEMALE (TO CAB MAIN)
16	R77465	SOCKET CONTACT	AR		FOR 16 HOLE CONNECTOR (TO L-H MAIN)
17	R78053	PIN CONTACT CONNECTOR BODY	1		(PKG OF 3) (TO CONCAVE ACTUATOR)
	R78063	TERMINAL NIPPLE	2		(PKG OF 40)
	R78061	PIN CONTACT	2		(PKG OF 40)
18	R78053	PIN CONTACT CONNECTOR BODY	1		(PKG OF 3)
	R78063	TERMINAL NIPPLE	1		(PKG OF 40)
	R78058	PIN CONTACT	2		(PKG OF 40)
	R78059	ELECTRICAL PLUG	2		(PKG OF 40)
19	T28583	RECEPTACLE CONNECTOR BODY	1		INTO FUEL PUMP
	U46662	TERMINAL	1		
20	RE12363	CONNECTOR	1		(PKG OF 3)
	R78048	TERMINAL NIPPLE	2		(PKG OF 5)
	R78060	SOCKET CONTACT	2		(PKG OF 40)
21	AH134728	ACTUATOR	1	-675484	
	AH160107	ACTUATOR	1	675485-	
22	RE65347	RELAY MODULE	1	680101-	

STRAW WALKER (PLUGGING) SENSING SWITCH

HP3147 -UN-01JAN94



1H10

ELECTRICAL

STRAW WALKER (PLUGGING) SENSING SWITCH - CONTINUED

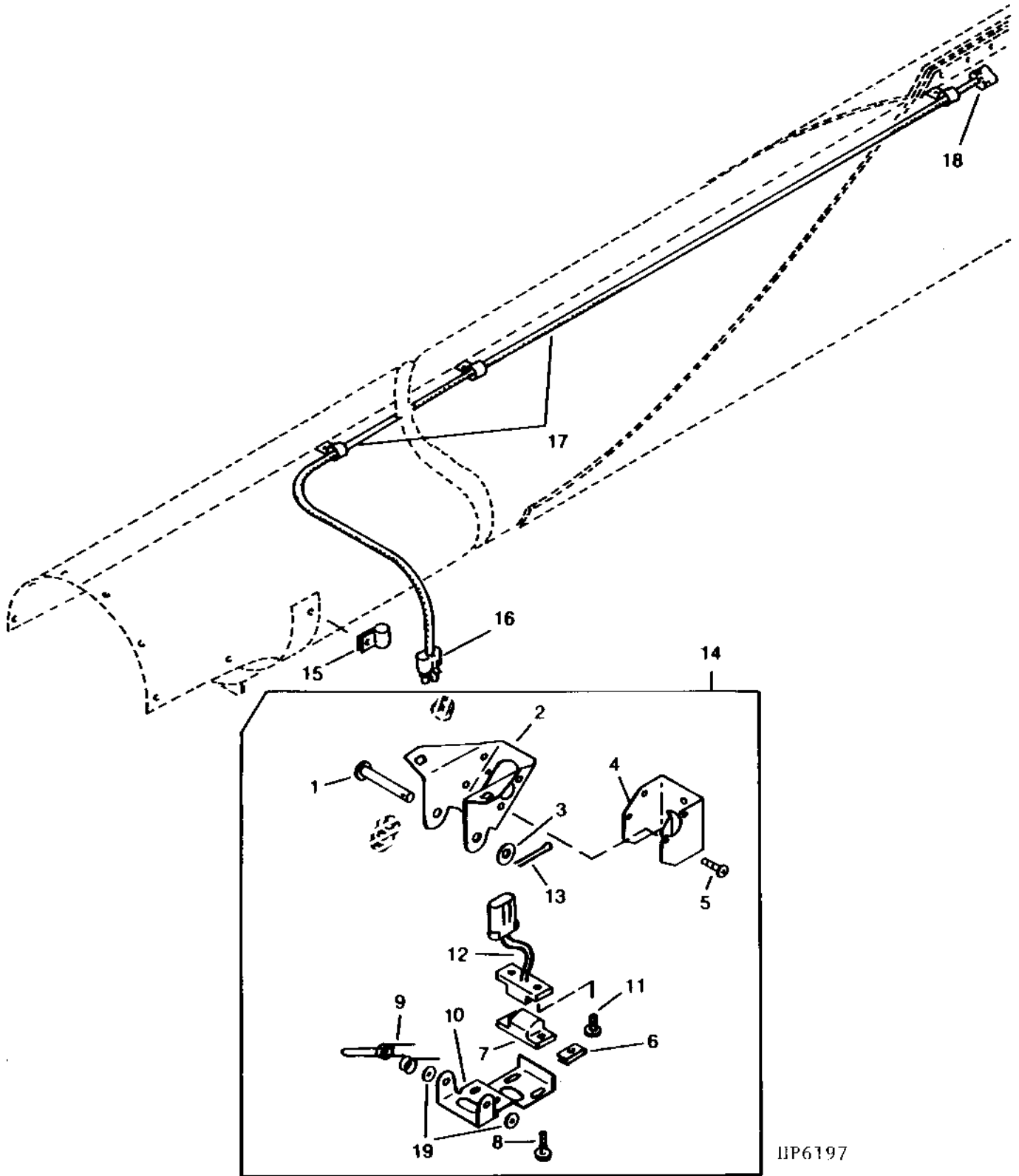
KEY	PART NO.	PART NAME	QTY	SERIAL NO.	REMARKS
1	AH130603	ACTUATOR	1	-1DEC97	
	AH150473	ACTUATOR	1	1DEC97-	
2	H140628	NUT	2		
3	AH134524	ARM	1		
4	37M7072	SCREW	2		
5	45M7035	PIN	1		10 X 90 MM
6	11M7012	COTTER PIN	1		3.200 X 16 MM
7	AH130602	REED SWITCH	1		
8	37M7215	SCREW	2		
9	AH125036	WIRING HARNESS	1		
10	RE12363	CONNECTOR	1		(PKG OF 3)
	R78048	TERMINAL NIPPLE	1		(PKG OF 5)
	R78063	TERMINAL NIPPLE	1		(PKG OF 40)
	R78060	SOCKET CONTACT	1		(PKG OF 40)

1H11

ELECTRICAL

UNLOADING AUGER SENSOR AND WIRING HARNESS

HP6197 -UN-05OCT95



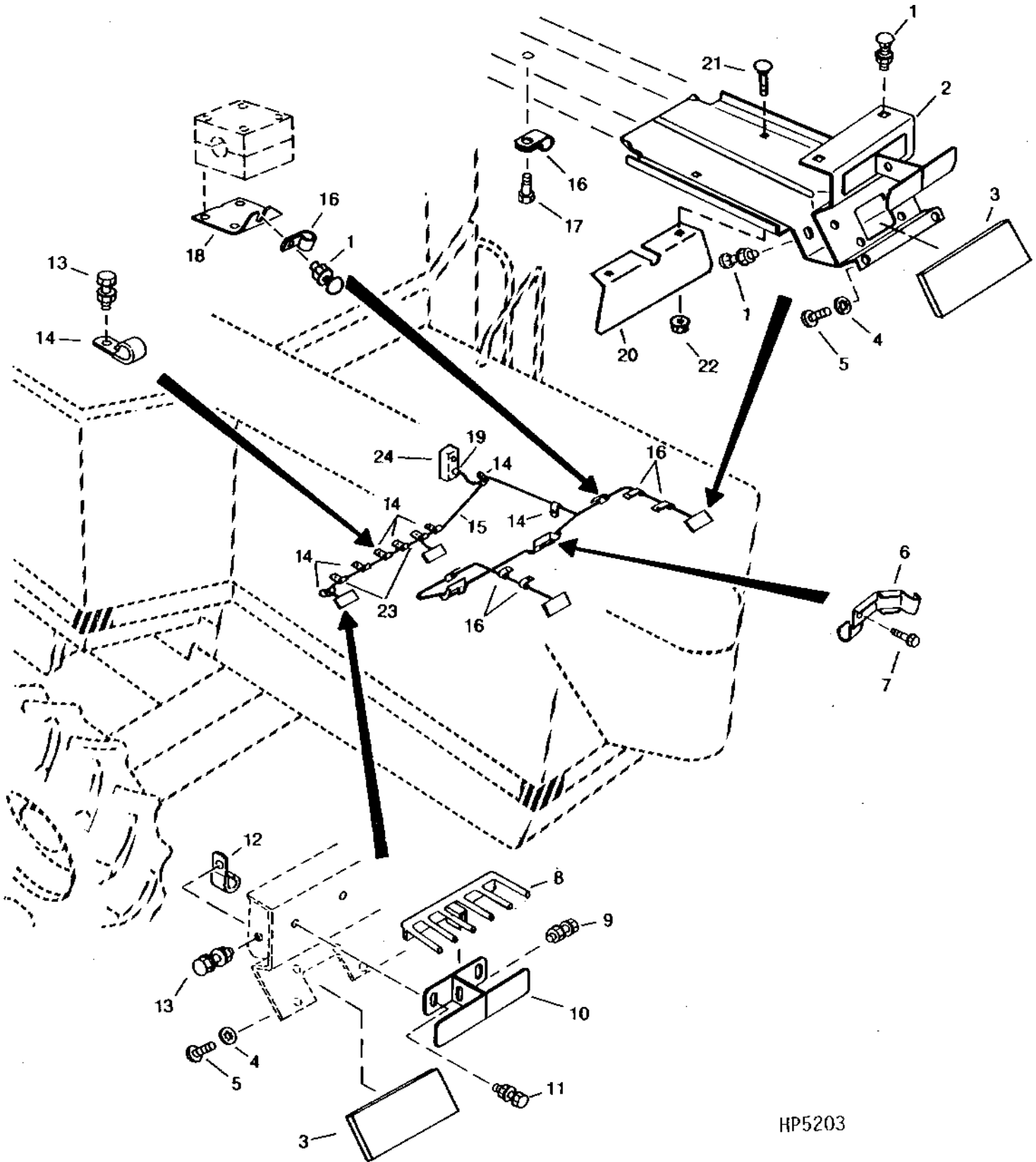
UNLOADING AUGER SENSOR AND WIRING HARNESS - CONTINUED

KEY	PART NO.	PART NAME	QTY	SERIAL NO.	REMARKS
1	W38051	PIN	1		
2	BRACKET	1		SENSOR
3	24M7028	WASHER	1		10.500 X 20 X 2 MM (0.413" X 0.787" X 0.079")
4	COVER	1		SENSOR BRACKET
5	37M7079	SCREW	4		M6 X 12, SELF-TAPPING
6	H140628	NUT	2		SPEED
7	AH130603	ACTUATOR	1		MAGNET
8	37M7071	SCREW	2		SELF-TAPPING
9	H149788	TORSION SPRING	1		
10	BRACKET	1		
11	37M7215	SCREW	2		
12	AH130602	REED SWITCH	1		
13	11M7012	COTTER PIN	1		3.200 X 16 MM (0.126" X 0.630")
14	AH145769	SENSOR	1		UNLOADING AUGER
15	AH89557	CLIP	AR		(SUB AH90990) ONE USED WITH SOLID AUGER HOUSING, 3 USED WITH PERFORATED AUGER HOUSING.
	AH90990	CLIP	AR		
16	RE12363	CONNECTOR	1		(PKG. OF 3)
	R78048	TERMINAL NIPPLE	1		
	R78059	ELECTRICAL PLUG	2		(PKG. OF 40)
17	AH143761	WIRING HARNESS	1		
18	R78053	PIN CONTACT CONNECTOR BODY	1		(PKG OF 3)
	R78058	PIN CONTACT	2		(PKG OF 40)
	R78059	ELECTRICAL PLUG	2		(PKG. OF 40)
19	24M7028	WASHER	3		10.500 X 20 X 2 MM (0.413" X 0.787" X 0.079") AS REQUIRED BETWEEN BRACKETS

1H13

ELECTRICAL

HARVESTRAK MONITOR SYSTEM AND WIRING HARNESS
HP5203 -UN-01JAN94



HP5203

1H14

ELECTRICAL

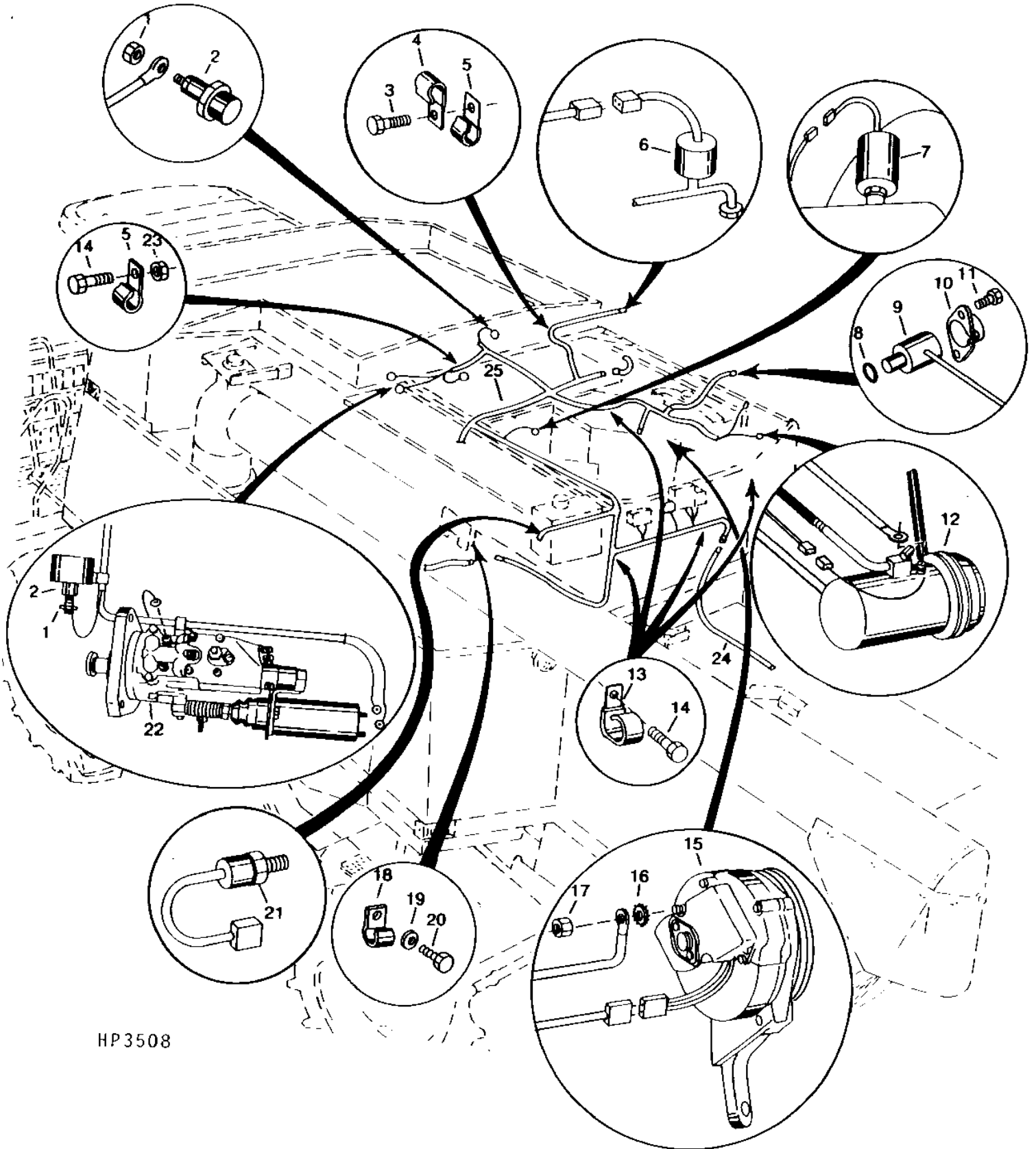
HARVESTRAK MONITOR SYSTEM AND WIRING HARNESS - CONTINUED

KEY	PART NO.	PART NAME	QTY	SERIAL NO.	REMARKS
1	03M7183	BOLT	10	M8 X 16	
	14M7298	FLANGE NUT	10	M8	
2	AH141038	SUPPORT	2		
3	AH166546	SENSOR	4	(SUB FOR AH126272)	
4	12H295	LOCK WASHER	16	0.190", (INTERNAL TOOTH)	
5	21H1427	SCREW	16	0.190" X 1/2"	
6	H132812	RETAINER	1	RIGHT-HAND	
	H132813	RETAINER	1	LEFT-HAND	
7	37M7083	SCREW	2	M8 X 12, (SELF-TAPPING)	
8	H114411	FINGER	2		
9	19M7862	SCREW	2	M6 X 20	
	14M7303	FLANGE NUT	2	M6	
10	AH125672	DEFLECTOR	2		
11	19M7865	SCREW	4	M8 X 16	
	14M7298	FLANGE NUT	4	M8	
12	T74410	CLAMP	2		
13	19M7865	SCREW	8	M8 X 16	
	14M7298	FLANGE NUT	8	M8	
14	AH89557	CLIP	6		
15	AH134254	WIRING HARNESS	1		
	R78063	TERMINAL NIPPLE	8		
	57M7298	TERMINAL	8		
	57M7306	CONNECTOR	4		
	57M7309	RECEPTACLE CONNECTOR BODY	4		
16	AH77724	CLIP	4		
17	37M7089	SCREW	2	M6 X 12, (SELF-TAPPING)	
18	H140074	PLATE	2		
19	H118422	ELECTRICAL PLUG	1	9 HOLES, FEMALE (TO PRE-AMP)	
	R77465	SOCKET CONTACT	AR		
20	H140414	DEFLECTOR	2		
21	03M7184	BOLT	8	M8 X 20	
22	14M7396	LOCK NUT	8	M8	
23	AH89557	CLIP	2		
	19M7865	SCREW	2	M8 X 16	
	14M7298	FLANGE NUT	2	M8	
	24M7027	WASHER	2	5.300 X 10 X 1 MM	
24	AH125744	RELAY MODULE	1	PRE AMP MODULE	
..	BH71887	COMPLETE GOODS/SHIP. BUNDLE	1	HARVESTRAK MONITOR SYSTEM AND WIRING HARNESS	

1H15

ELECTRICAL

HARNESS FOR ENGINE
(UPPER PARTS)
HP3508 -UN-01JAN94



HP3508

1H16

ELECTRICAL

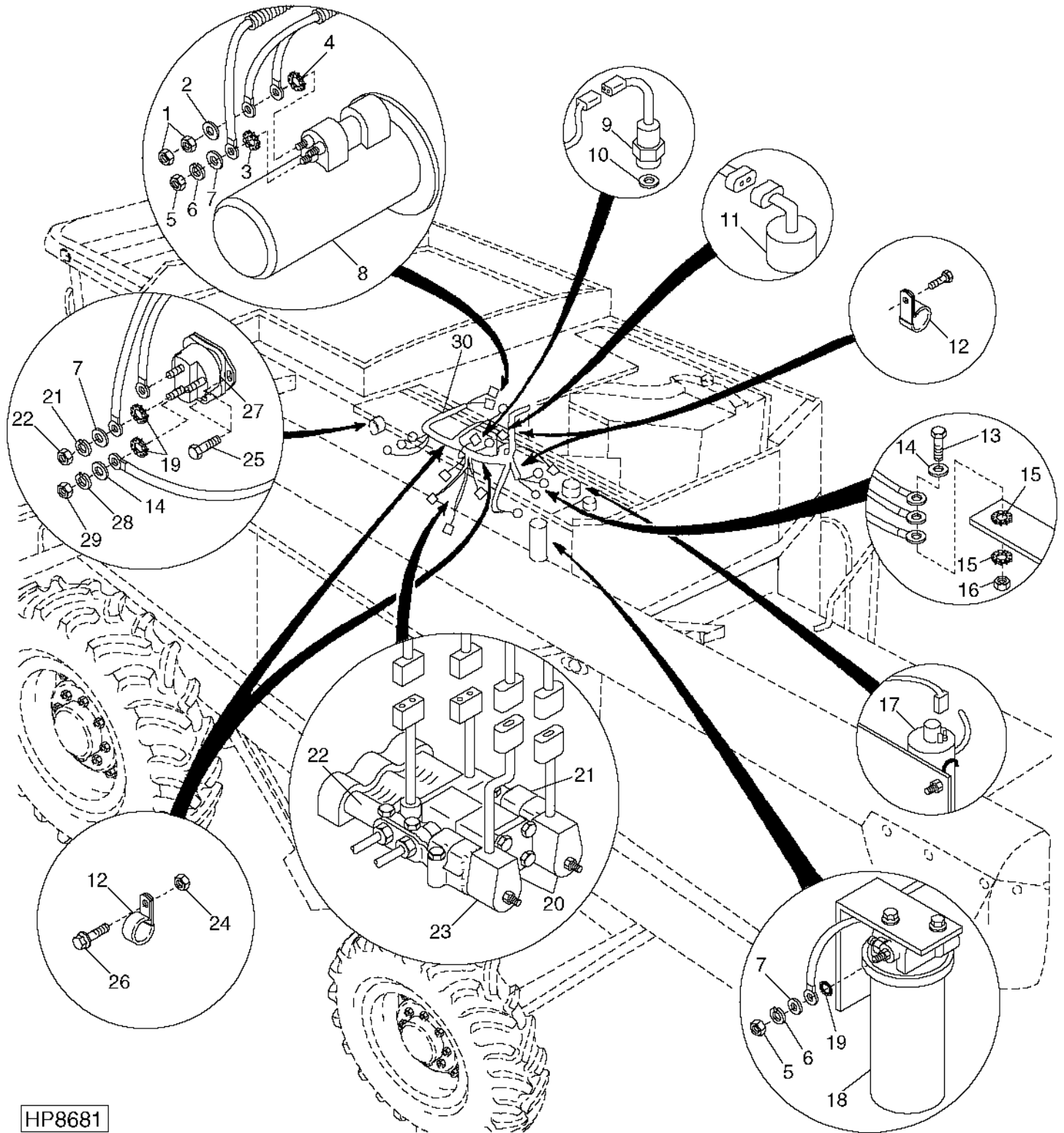
**HARNES FOR ENGINE - CONTINUED
(UPPER PARTS)**

KEY	PART NO.	PART NAME	QTY	SERIAL NO.	REMARKS
1	14H631	NUT	1	0.190"	
2	AH151124	SENSOR	1	(USE WITH 51M7041)	FOR ENGINE TEMP
3	19M7865	SCREW	1	M8 X 16	
4	AH96317	CLIP	1		
5	AH89557	CLIP	1		
6	RE24307	HIGH PRESSURE SWITCH	1	A/C HIGH PRESSURE	
7	AH148259	SWITCH	1	FOR AIR CLEANER (PLUGGED)	
8	R79915	O-RING	1		
9	RE12180	SENSOR	1	ENGINE TACH SENSOR	
10	R67230	COVER	1		
11	19H1948	CAP SCREW	2	1/4" X 3/4"	
12	COMPRESSOR	1	(SEE OPERATOR'S STATION SECTION)	
13	AH96317	CLIP	1		
	AH89557	CLIP	1		
14	19M7774	SCREW	1	M6 X 12	
15	ALTERNATOR	1	(SEE ELECTRICAL SECTION)	
16	12H297	LOCK WASHER	1	1/4"	
17	14H786	NUT	1	1/4"	
18	AH90990	CLIP	1		
19	14M7298	FLANGE NUT	1	M8	
20	19M7865	SCREW	1	M8 X 16	
21	AH116105	SWITCH	1	FOR HYD OIL TEMP	
22	FUEL INJECTION PUMP	1	(SEE ENGINE SECTION)	
23	14M7303	FLANGE NUT	1	M6	
24	AH125036	WIRING HARNESS	1	FOR STRAW WALKER PLUGGING SWITCH	
25	AH144892	WIRING HARNESS	1		
..	H116160	SEALANT	1	3 OZ. TUBE OF SEALANT	

1H17

ELECTRICAL

HARNESS FOR ENGINES
(LOWER PARTS)
HP8681 -UN-25JUN99



HP8681

1H18

ELECTRICAL

**HARNES FOR ENGINES - CONTINUED
(LOWER PARTS)**

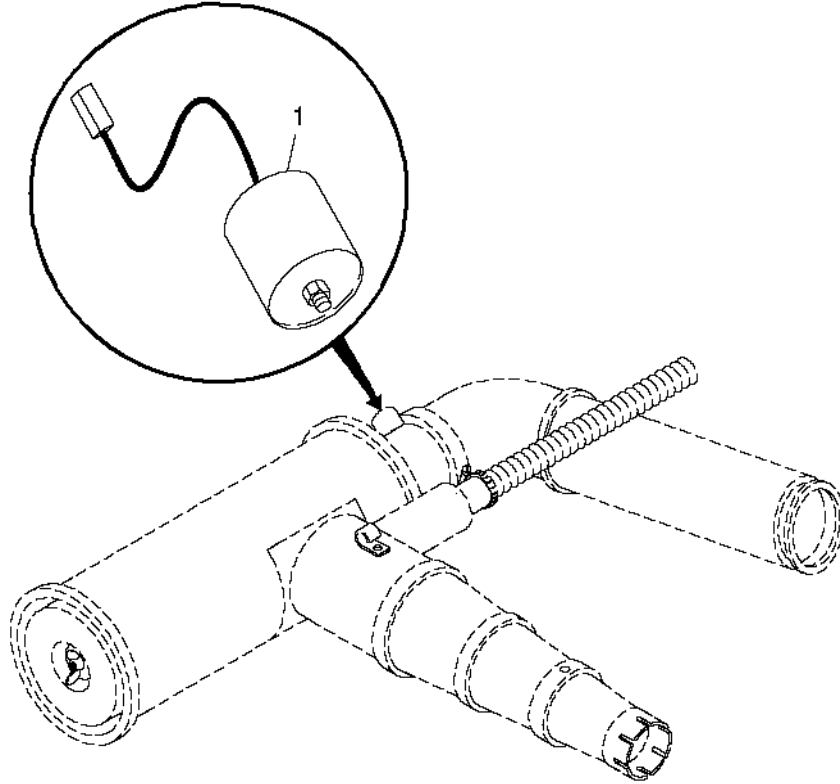
KEY	PART NO.	PART NAME	QTY	SERIAL NO.	REMARKS
1	14H826	NUT	2	1/2"	
2	24M7028	WASHER	1	10.500 X 20 X 2 MM	
3	12M7060	WASHER	1	5.300 MM (0.209")	
4	12M7033	LOCK WASHER	1	10.500 MM	
5	14H631	NUT	1	0.190"	
6	12H246	LOCK WASHER	1	0.190"	
7	24M7027	WASHER	1	5.300 X 10 X 1 MM	
8	STARTER MOTOR	1	(SEE ENGINE SECTION)	
9	AH139059	TOUCH SWITCH	1	FOR ENGINE TEMP	
10	R76337	WASHER	1	(USE WITH AH148278)	
11	AH133896	SWITCH	1	FOR ENGINE OIL PRESSURE	
12	H77698	TIE BAND	1		
13	19M7868	SCREW	1	M8 X 30	
14	24M7055	WASHER	2	8.400 X 16 X 1.600 MM	
15	12M7032	LOCK WASHER	1	8.400 MM	
16	14M7298	FLANGE NUT	1	M8	
17	RE48310	STARTING AID SOLENOID	1		
18	HYDRAULIC FILTER	1	(SEE HYDRAULIC SECTION)	
19	12M7032	LOCK WASHER	2	8.400 MM (0.331")	
20	AH128655	SOLENOID VALVE	2		
21	AH135744	SWITCH	1		
	R26375	O-RING	1		
22	AH116105	SWITCH	1		GEARCASE TEMPERATURE SWITCH
	R26375	O-RING	1		
23	AH128785	SHUT-OFF VALVE	1		
24	14M7303	FLANGE NUT	1	M6	
25	37H147	SCREW	2		
26	19M7774	SCREW	1	M6 X 12	
27	AM53945	SOLENOID	1		
28	12H303	LOCK WASHER	2	5/16"	
29	14H785	NUT	1	5/16"	
30	AH144892	WIRING HARNES	1		
..	TY9374	SEALANT	1		
..	BH79118	COMPLETE GOODS/SHIP. BUNDLE	1		TEMP. SENSOR PROTECTION

1H19

ELECTRICAL

ENGINE PLUGGED AIR FILTER WARNING SWITCH

HP9338 -UN-19NOV99



HP9338

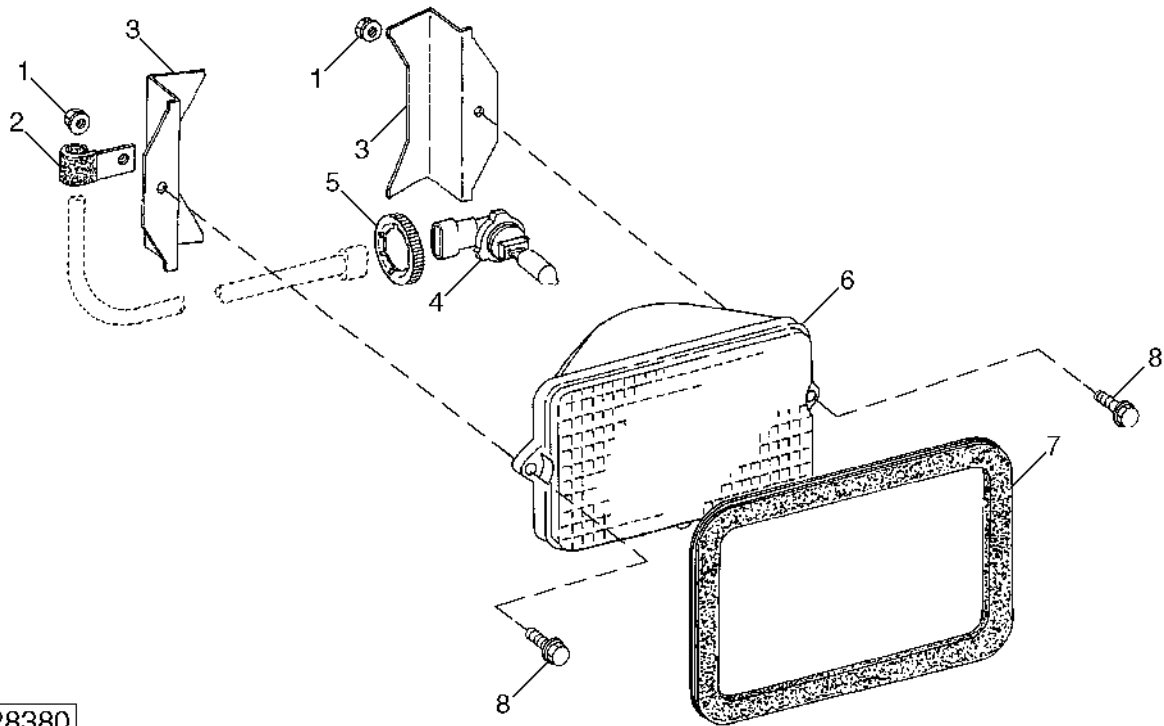
KEY	PART NO.	PART NAME	QTY	SERIAL NO.	REMARKS
1	AH113292	SWITCH	1		

1H20

ELECTRICAL

SIDE FINDER LIGHTS (LH AND RH)

HP8380 -UN-27JUL99



HP8380

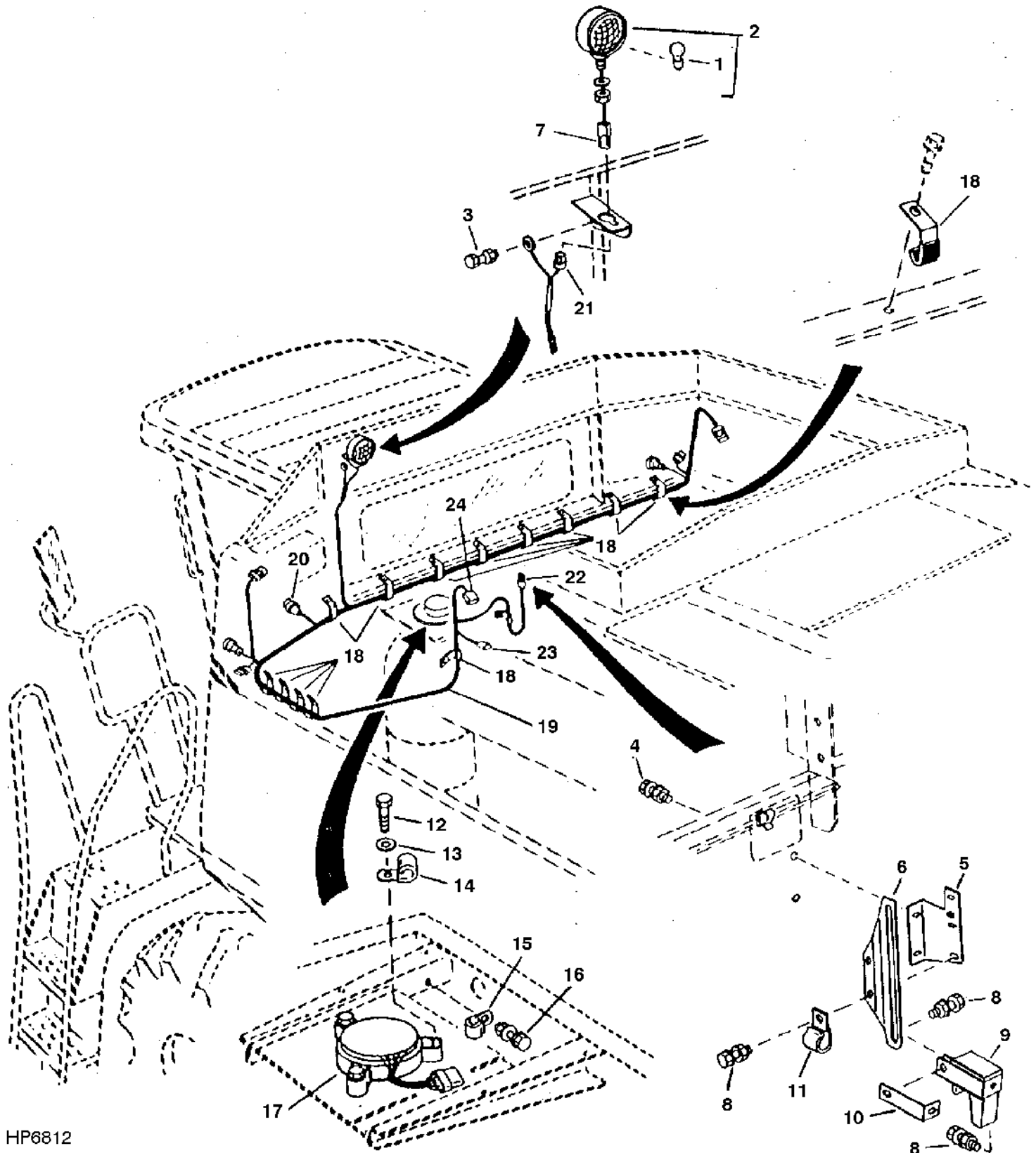
KEY	PART NO.	PART NAME	QTY	SERIAL NO.	REMARKS
1	14M7303	FLANGE NUT	4	M6	
2	AH89557	CLIP	2		
3	H132687	RETAINER	4		
4	AH162231	BULB	2	(SUB FOR AH127718)	
5	H132900	RETAINER	2		
6	AH128328	FLOODLAMP	2		
7	H132686	GROMMET	2		
8	19M7774	SCREW	4	M6 X 12	
..	H132666	PLATE	2	USED ONLY WITHOUT SIDE FINDER LIGHTS	
..	BH78337	COMPLETE GOODS/SHIP. BUNDLE	1	SIDE FINDER LIGHTS (L.H. AND R.H.)	

1H21

ELECTRICAL

GRAIN TANK WIRING HARNESS, LIGHT, LIMIT SWITCH AND LEVEL MONITOR

HP6812 -UN-18AUG97



HP6812

1H22

ELECTRICAL

GRAIN TANK WIRING HARNESS, LIGHT, LIMIT SWITCH AND LEVEL MONITOR - CONTINUED

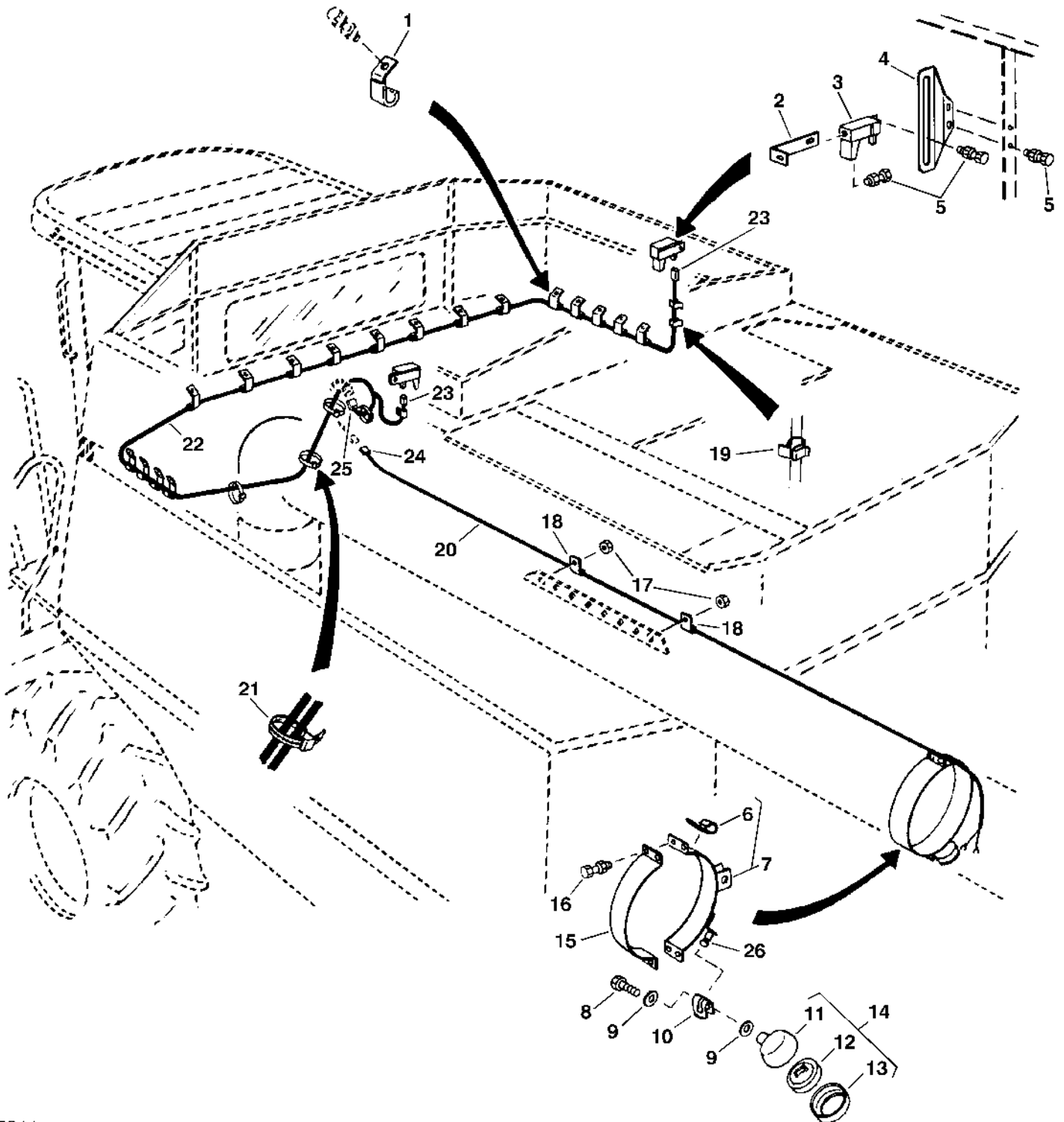
KEY	PART NO.	PART NAME	QTY	SERIAL NO.	REMARKS
1	AD2062R	BULB	1		
2	AH152451	LAMP	1	-675241	
	AH148210	HEADLIGHT	1	675242-	
3	19M7865	SCREW	1		M8 X 16, (FOR WIRING HARNESS GROUND WIRE)
	14M7298	FLANGE NUT	1		M8
4	19M7866	SCREW	2		M8 X 20
	14M7298	FLANGE NUT	2		M8
5	H134999	SUPPORT	1		
6	H164404	BRACKET	1		
7	57M7305	PIN CONTACT CONNECTOR BODY	1		
8	19M7775	SCREW	4		M6 X 16
	14M7303	FLANGE NUT	4		M6
9	AH121475	SENSOR	1		
10	H133645	REINFORCEMENT	1		
11	T32231	CLAMP	1		
12	19M6755	CAP SCREW	1		M6 X 35
	19M7865	SCREW	2		M8 X 16
13	24M7139	WASHER	3		6.400 X 18 X 1.600 MM
14	AH89557	CLIP	1		
15	AH96317	CLIP	1		
16	19M7865	SCREW	1		M8 X 16
	14M7298	FLANGE NUT	1		M8
17	AH142999	SWITCH	1		
	AH155480	MODULE	1		(A)
	AH163979	KIT	1		(INCLUDES PARTS MARKED (A))
18	H130637	CLAMP	9		
	AH117301	CLAMP	4		
19	AH162650	WIRING HARNESS	1		(SUB FOR AH154836) W/GREENSTAR
	AH162652	WIRING HARNESS	1		(SUB FOR AH156962)
20	H118425	CONNECTOR	1		(22 HOLES, MIXED)
	AE44930	CONNECTOR	1		
	R78057	SOCKET CONTACT	1		(PKG OF 40)
	R78060	SOCKET CONTACT	1		(PKG OF 40)
21	RE12362	CONNECTOR	1		(PKG OF 3)
	R78047	SEAL	1		(PKG OF 5)
22	RE12363	CONNECTOR	1		(PKG OF 3)
	R78048	TERMINAL NIPPLE	1		(PKG OF 5)
	R78057	SOCKET CONTACT	1		(PKG OF 40)
23	R78053	PIN CONTACT CONNECTOR BODY	1		(PKG OF 3)
	R78063	TERMINAL NIPPLE	1		(PKG OF 40)
	R78060	SOCKET CONTACT	1		(PKG OF 40)
	R78061	PIN CONTACT	1		(PKG OF 40)
24	RE12366	CONNECTOR	1		(PKG OF 2)
	R78051	SEAL	1		(PKG OF 5)
	R78060	SOCKET CONTACT	1		(PKG OF 40)

1H23

ELECTRICAL

GRAIN TANK DUAL LEVEL MONITOR HARNESS AND UNLOADING AUGER LIGHT

HP7211 -UN-13OCT97



HP7211

1H24

ELECTRICAL

GRAIN TANK DUAL LEVEL MONITOR HARNESS AND UNLOADING AUGER LIGHT - CONTINUED

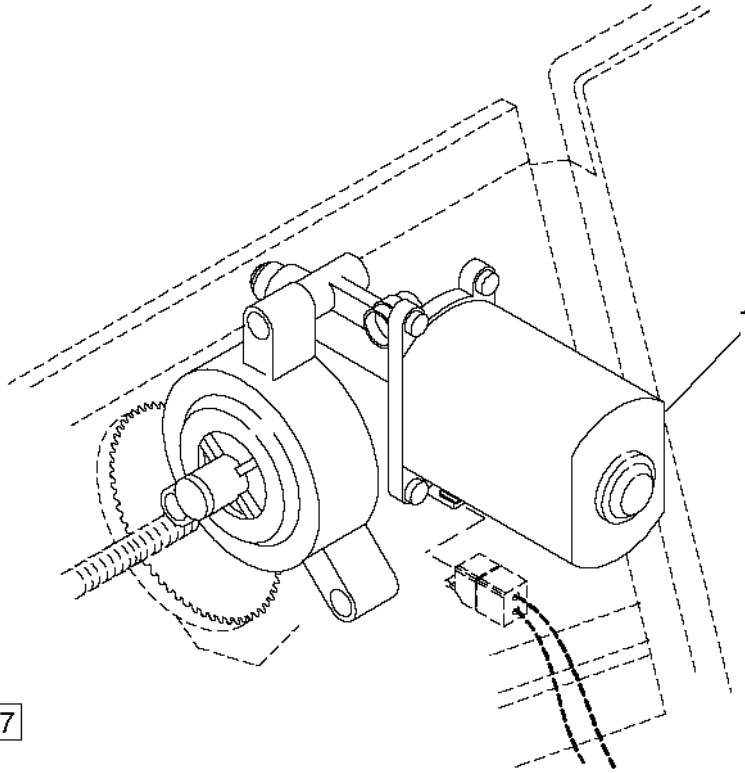
KEY	PART NO.	PART NAME	QTY	SERIAL NO.	REMARKS
1	H130637	CLAMP	5		
2	H133645	REINFORCEMENT	1		
3	AH121475	SENSOR	1		
4	H133824	BRACKET	1		
5	19M7775	SCREW	4	M6 X 16	
	14M7303	FLANGE NUT	4	M6	
6	AH89557	CLIP	1		
7	AH126541	CLAMP	1		
8	19H1974	CAP SCREW	1	1/2" X 2-3/4"	
9	24H1111	WASHER	2	17/32" X 1-1/16" X 0.090"	
10	R67377	CLAMP	1		
11	HOUSING	1		(SERVICED IN AH148210)
12	AR42591	HEADLIGHT	1		35 WATT
13	R31250	BEZEL	1		
14	AH148210	HEADLIGHT	1		
15	H133178	CLAMP	1		
16	19M7800	SCREW	4	M8 X 50	
	14M7396	LOCK NUT	4	M8	
17	14M7298	FLANGE NUT	2	M8	
18	AH89557	CLIP	2		
19	H76064	CLIP	4		
20	AH148028	WIRING HARNESS	1	-20JUL8	FOR ALL AUGER LENGTHS
	AH159962	WIRING HARNESS	1	20JUL8-	
21	M66044	TIE BAND	7		
22	AH128986	WIRING HARNESS	1		
23	RE12363	CONNECTOR	1		(PKG OF 3)
	R78048	TERMINAL NIPPLE	1		(PKG OF 5)
	R78057	SOCKET CONTACT	1		(PKG OF 40)
24	RE12363	CONNECTOR	1		(PKG OF 3)
	R78048	TERMINAL NIPPLE	1		(PKG OF 5)
	R78060	SOCKET CONTACT	1		(PKG OF 40)
25	R78053	PIN CONTACT CONNECTOR BODY	1		(PKG OF 3)
	R78063	TERMINAL NIPPLE	1		(PKG OF 40)
	R78058	PIN CONTACT	1		(PKG OF 40)
26	45M7043	PIN	1		12 X 60 MM
..	BH79032	COMPLETE GOODS/SHIP. BUNDLE	1		GRAIN TANK LEVEL MONITOR

1H25

ELECTRICAL

SEPARATOR FAN DRIVE ADJUSTING MOTOR

HP9407 -UN-04JAN00



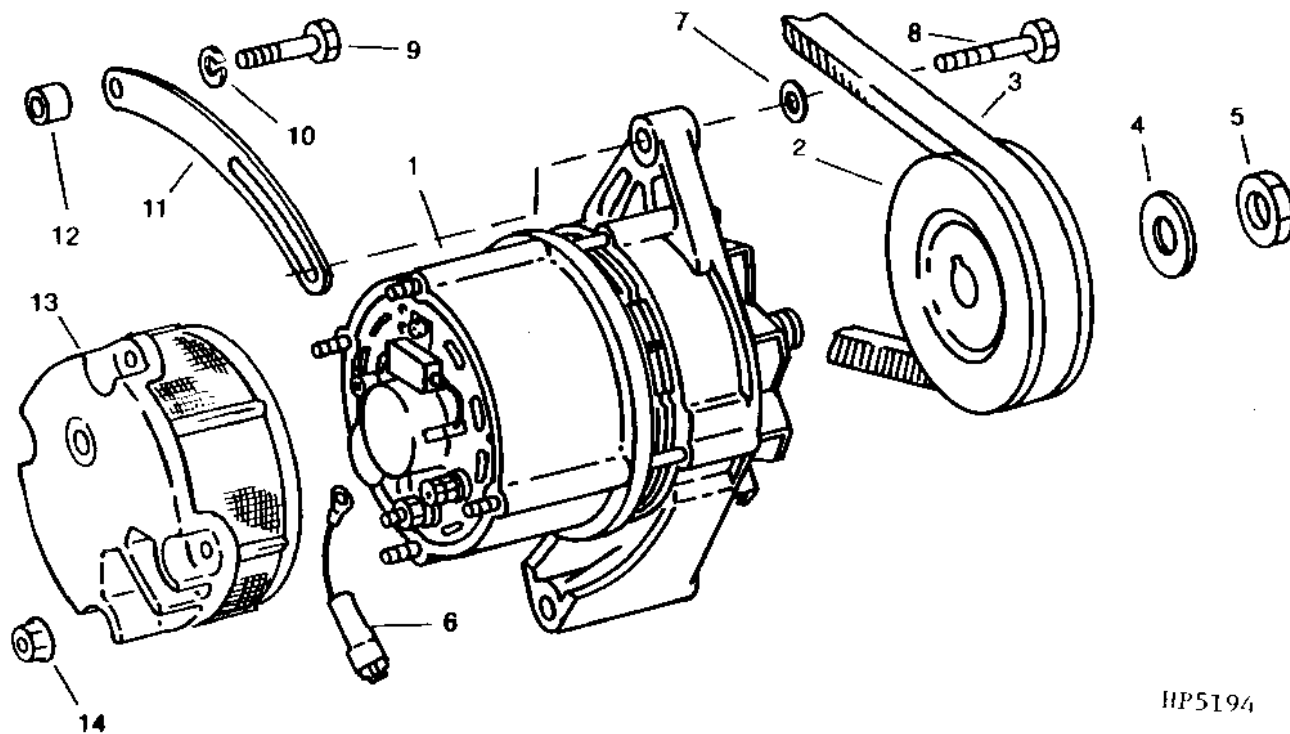
KEY	PART NO.	PART NAME	QTY	SERIAL NO.	REMARKS
1	AH143903	MOTOR	1		(USE WITH AH143904, 19M8321 AND 14M7165)

ALTERNATOR, SHEAVE AND BELT

BOSCH

HP5194

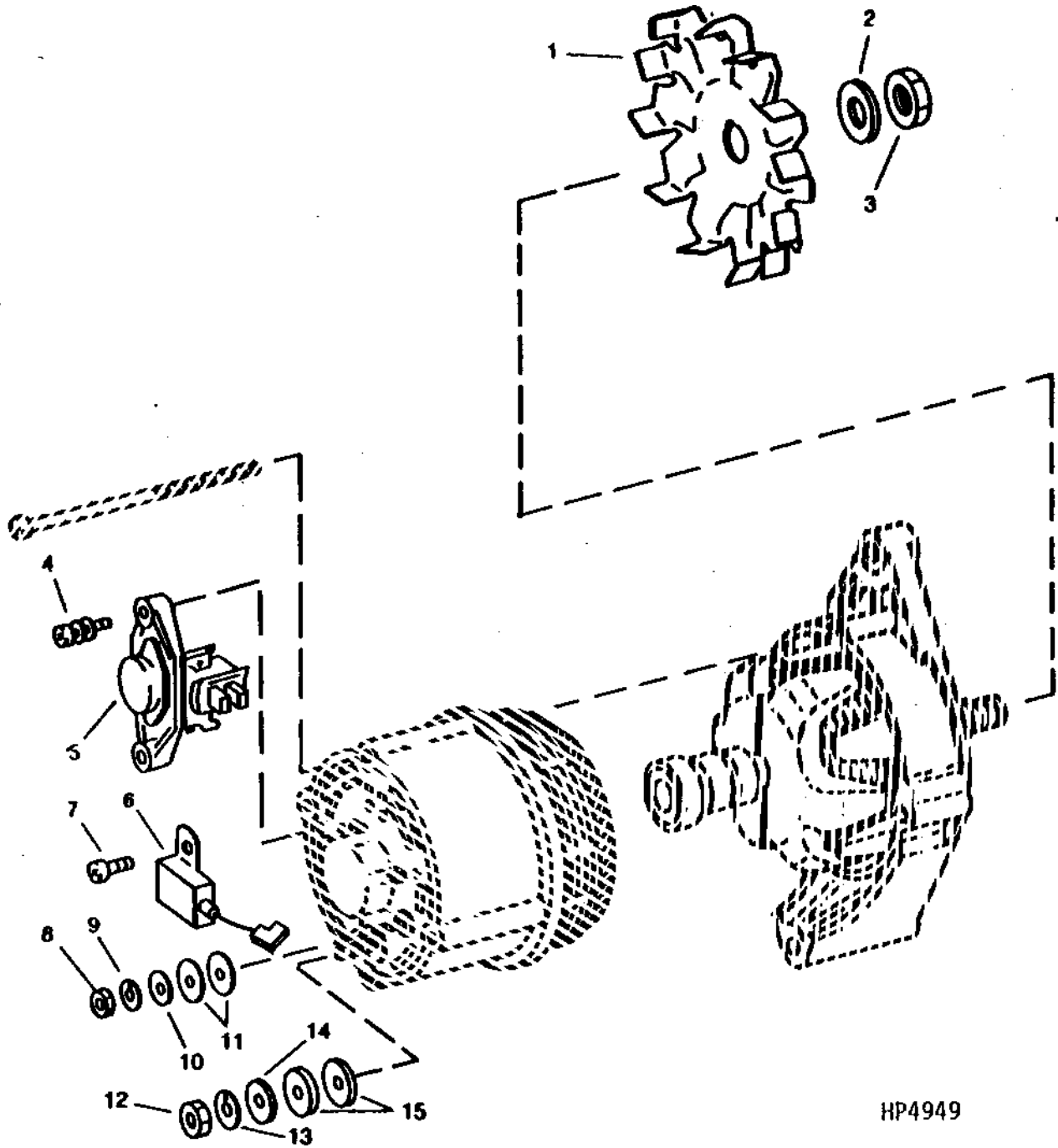
-UN-01JAN94



HP5194

KEY	PART NO.	PART NAME	QTY	SERIAL NO.	REMARKS
1	TY24485	ALTERNATOR	1		(SUB FOR TY6750) REMANUFACTURED (ALSO REQUIRES AH134262 WIRING HARNESS)
2	H144139	PULLEY	1		
	H144114	SHEAVE	1		
3	H101813	BELT	1		
4	T10745	WASHER	1		
5	14M7158	NUT	1	M16	
6	AH146309	WIRING HARNESS	1		
7	24M7207	WASHER	1	8.400 X 24 X 2 MM	
8	19M7868	SCREW	1	M8 X 30	
9	19H1726	CAP SCREW	1	3/8" X 2-1/4"	
10	12H304	LOCK WASHER	1	3/8"	
11	R107734	STRAP	1		
12	24M7106	WASHER	1	10 X 18 X 2.500 MM	(USE WITH TY6750)
13	AH138291	SCREEN	1		(USE WITH TY24485)
	AT207952	COVER	1		(USE WITH TY24485)
14	14M7375	FLANGE NUT	4	M5	

BOSCH ALTERNATOR AND VOLTAGE REGULATOR (95 AMP)
HP4949 -UN-01JAN94

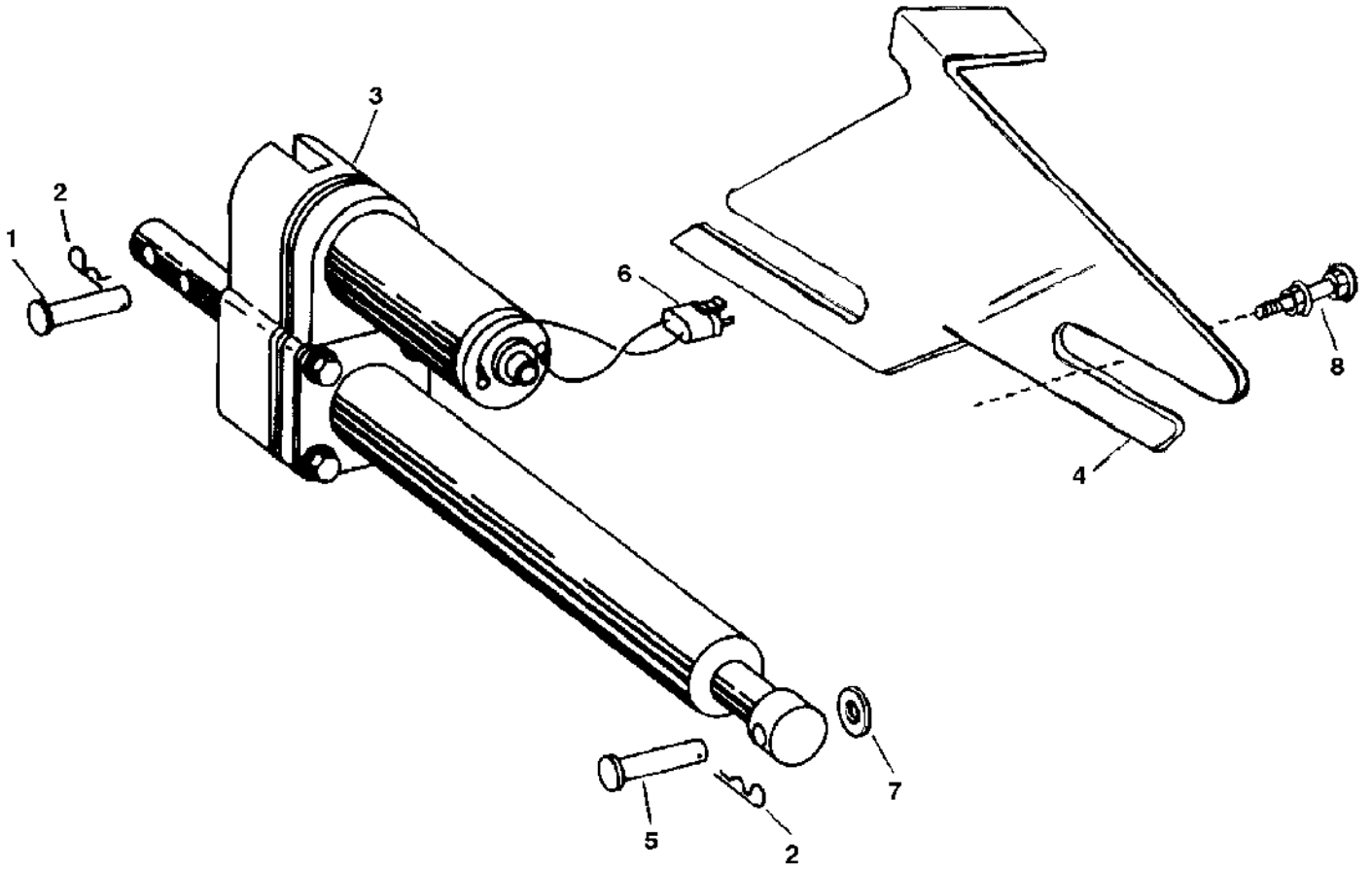


HP4949

BOSCH ALTERNATOR AND VOLTAGE REGULATOR (95 AMP) - CONTINUED

KEY	PART NO.	PART NAME	QTY	SERIAL NO.	REMARKS
1	L33993	FAN	1		
2	T10745	WASHER	1		
3	14M7158	NUT	1	M16	
4	21M7252	SCREW	2	M4 X 16	
	12M7084	LOCK WASHER	2	4.300 MM (0.169")	
5	H144094	VOLTAGE REGULATOR	1		
6	H144095	CAPACITOR	1		
7	21M6071	SCREW	1	M5 X 10	
	12M7060	WASHER	1	5.300 MM (0.209")	
8	14M7297	NUT	1	M5	
9	12M7112	LOCK WASHER	1	5.300 MM	
10	WASHER	1		
11	R47460	BOLT	2		
12	14M7273	NUT	1	M8	
13	12M7032	LOCK WASHER	1	8.400 MM (0.331")	
14	R15036	WASHER	1		
15	SHIM	2		
..	TY24485	ALTERNATOR	1		(SUB FOR TY6750) REMANUFACTURED

CONCAVE ADJUSTING MOTOR
HP6814 -UN-18AUG97

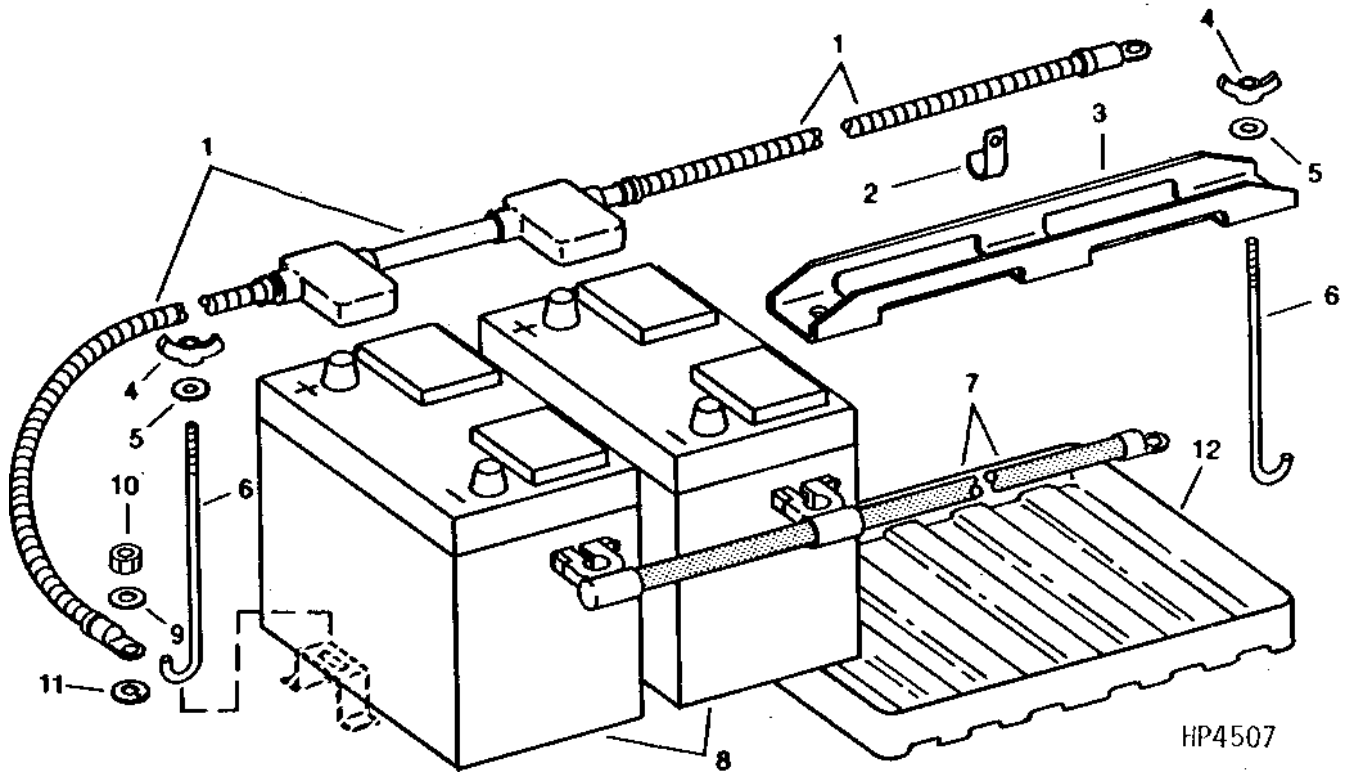


HP6814

CONCAVE ADJUSTING MOTOR - CONTINUED

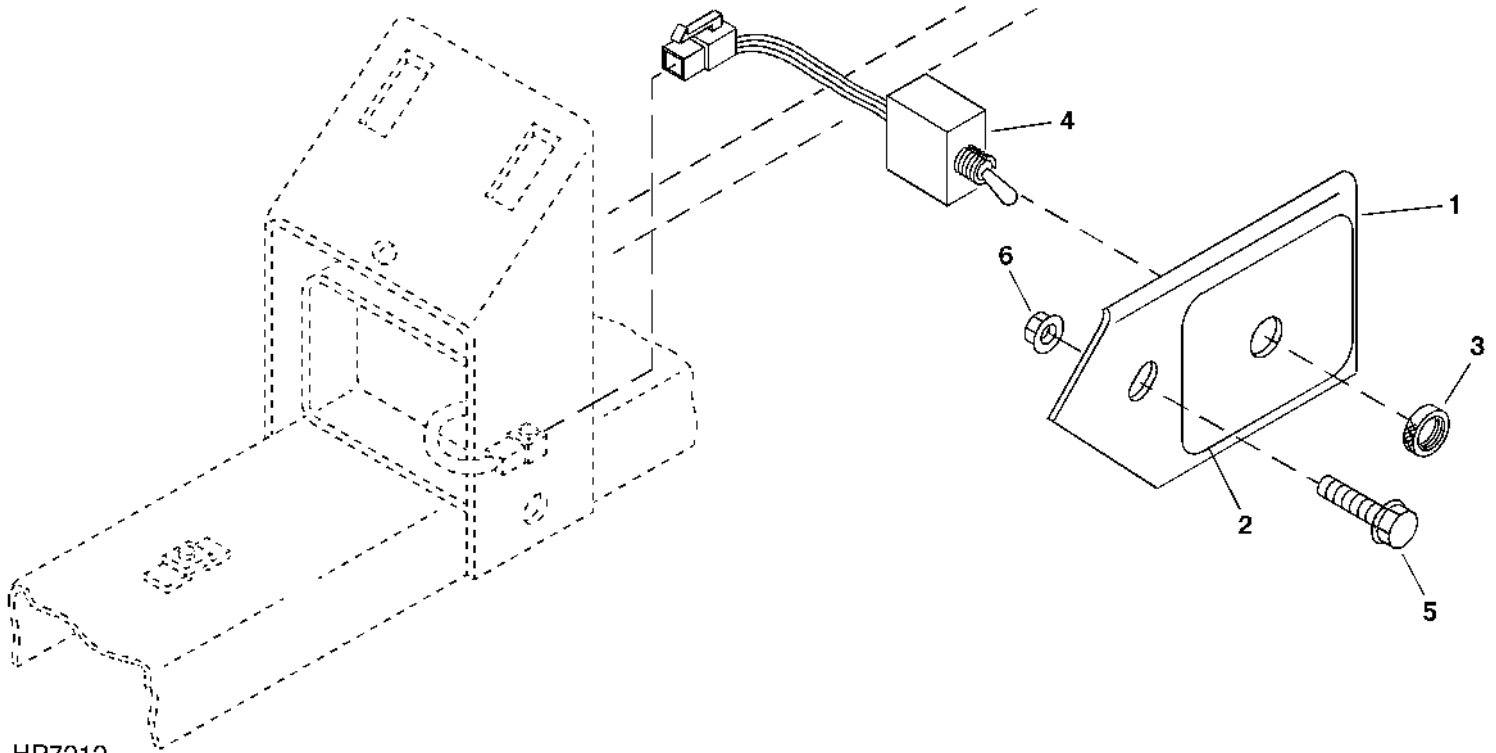
KEY	PART NO.	PART NAME	QTY	SERIAL NO.	REMARKS
1	H148340	PIN	1		12.700 X 60.500 MM (1/2" X 2.382")
2	B32630	SPRING LOCKING PIN	2		
3	AH134728	ACTUATOR	1	-675484	
	AH160107	ACTUATOR	1	675485-	
4	H146730	STOP	1		
5	H148899	PIN	1		FOR RASP BAR CONCAVE ONLY
	H148340	PIN	1		FOR RASP BAR CONCAVE ONLY
	H148900	PIN	1		(SUB H148900) FOR SPIKE TOOTH CONCAVE ONLY
6	RE12363	CONNECTOR	1		(PKG OF 3)
	R78048	TERMINAL NIPPLE	1		(PKG OF 5)
	R78060	SOCKET CONTACT	1		(PKG OF 40)
7	24H1654	WASHER	2		9/16" X 1-15/32" X 0.105"
8	19M7812	SCREW	2		M10 X 100
	14M7196	NUT	2		M3
	24M7178	WASHER	2		10.500 X 30 X 2.500 MM

BATTERIES, CABLES AND HOLDDOWN
HP4507 -UN-01JAN94



KEY	PART NO.	PART NAME	QTY	SERIAL NO.	REMARKS
1	AH145256	CABLE	1		
2	AH96317	CLIP	1		
3	H134000	CLAMP	1		
4	14M7020	WING NUT	2		M8
5	24M7055	WASHER	2		8.400 X 16 X 1.600 MM
6	H158292	HOOK BOLT	2		
7	AH128413	CABLE	1		
8	TY21765	BATTERY	2		(SUB FOR TY6167)
9	24M7054	WASHER	1		6.400 X 12 X 1.600 MM
10	14M7303	FLANGE NUT	1		M6
11	12M7081	LOCK WASHER	1		6.400 MM
12	H144256	TRAY	2		

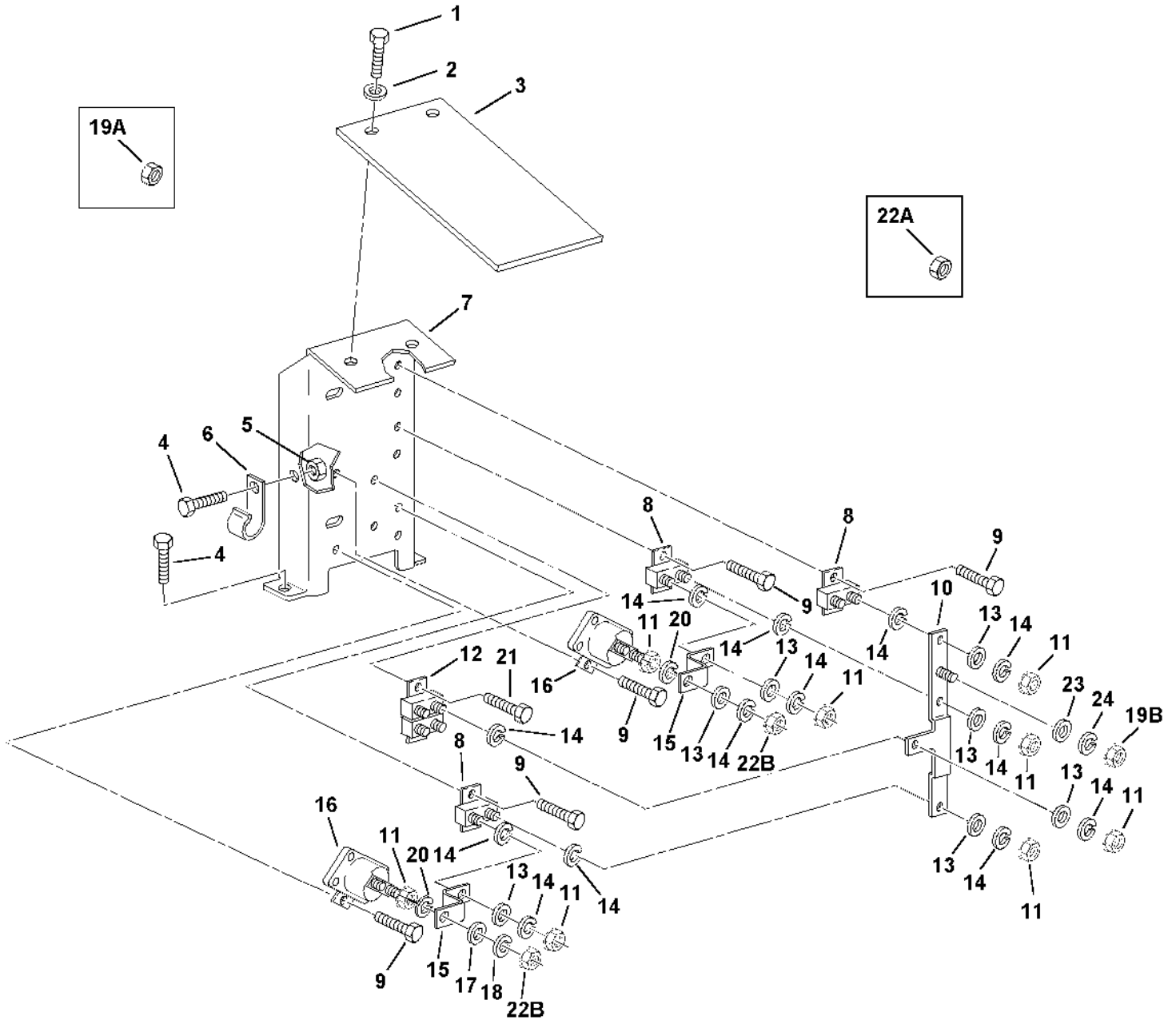
SHOE AREA SWITCH ASSEMBLY
 HP7212 -UN-28FEB98



HP7212

KEY	PART NO.	PART NAME	QTY	SERIAL NO.	REMARKS
1	H164632	BRACKET	1		
2	H166357	LABEL	1		
3	H140248	NUT	1		
4	AH158310	TOGGLE SWITCH	1		
5	19M7865	SCREW	1		M8 X 16
6	14M7298	FLANGE NUT	1		M8

CIRCUIT BREAKERS - ENGINE COMPARTMENT
HP7481 -UN-16MAR98



HP7481

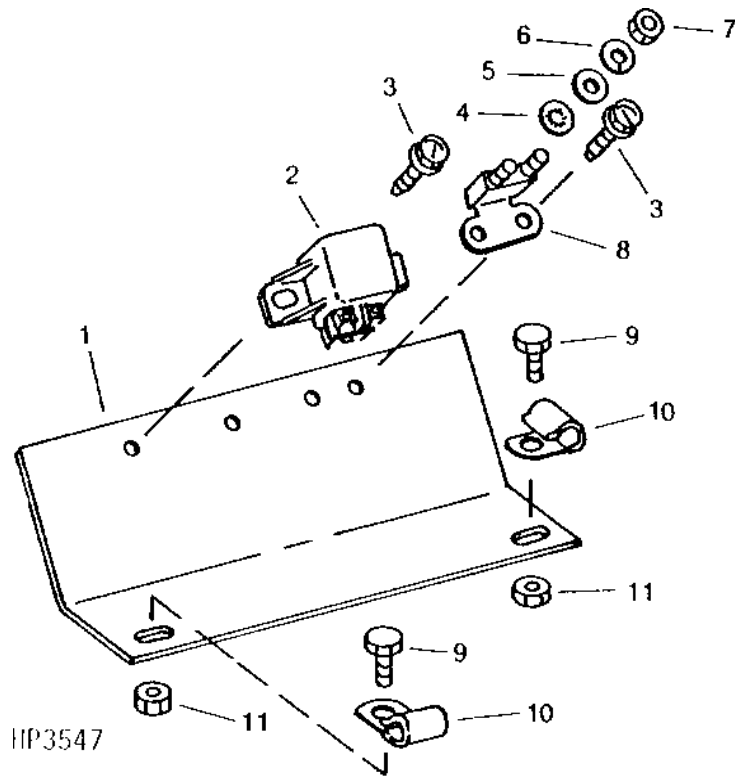
CIRCUIT BREAKERS - ENGINE COMPARTMENT - CONTINUED

KEY	PART NO.	PART NAME	QTY	SERIAL NO.	REMARKS
1	H116740	PLUG	2		
2	24M7207	WASHER	2		8.400 X 24 X 2 MM (0.331" X 0.945" X 0.079")
3	H150923	FLAP	1		
4	19M7865	SCREW	AR		M8 X 16
5	14M7298	FLANGE NUT	AR		M8
6	AH90990	CLIP	1		
7	H164348	PANEL	1		
8	AH112189	CIRCUIT BREAKER	3		(50 AMP)
9	37H147	SCREW	10		
10	AH158604	STRAP	1		
11	R32176	NUT	AR		
12	AH159105	CIRCUIT BREAKER	1		100 AMP, DUAL 50A
13	24M7027	WASHER	AR	-675217	5.300 X 10 X 1 MM (0.209" X 0.394" X 0.039")
14	12M7060	WASHER	AR	-675217	5.300 MM (0.209")
15	H125347	STRAP	2		
16	AR73144	RELAY	2		
17	24M7055	WASHER	2	-675217	8.400 X 16 X 1.600 MM (0.331" X 0.630" X 0.063")
18	12M7081	LOCK WASHER	2	-675217	6.400 MM (0.252") M6.4
19A	14H860	NUT	1	-675217	6.350 MM (1/4") M6
19B	R32176	NUT	1	675218-	
20	12M7032	LOCK WASHER	AR		8.400 MM (0.331")
21	37H129	SCREW	1		10 X 5/8
22A	14H785	NUT	2	-675217	5/16
22B	H164872	NUT	2	675218-	
23	24M7054	WASHER	1	-675217	M6.4 X 12.5 X 1.6
24	12H302	LOCK WASHER	1	-675217	

1110

ELECTRICAL

THROTTLE CONTROL PANEL, RELAY AND CIRCUIT BREAKER (6359)
HP3547 -UN-01JAN94



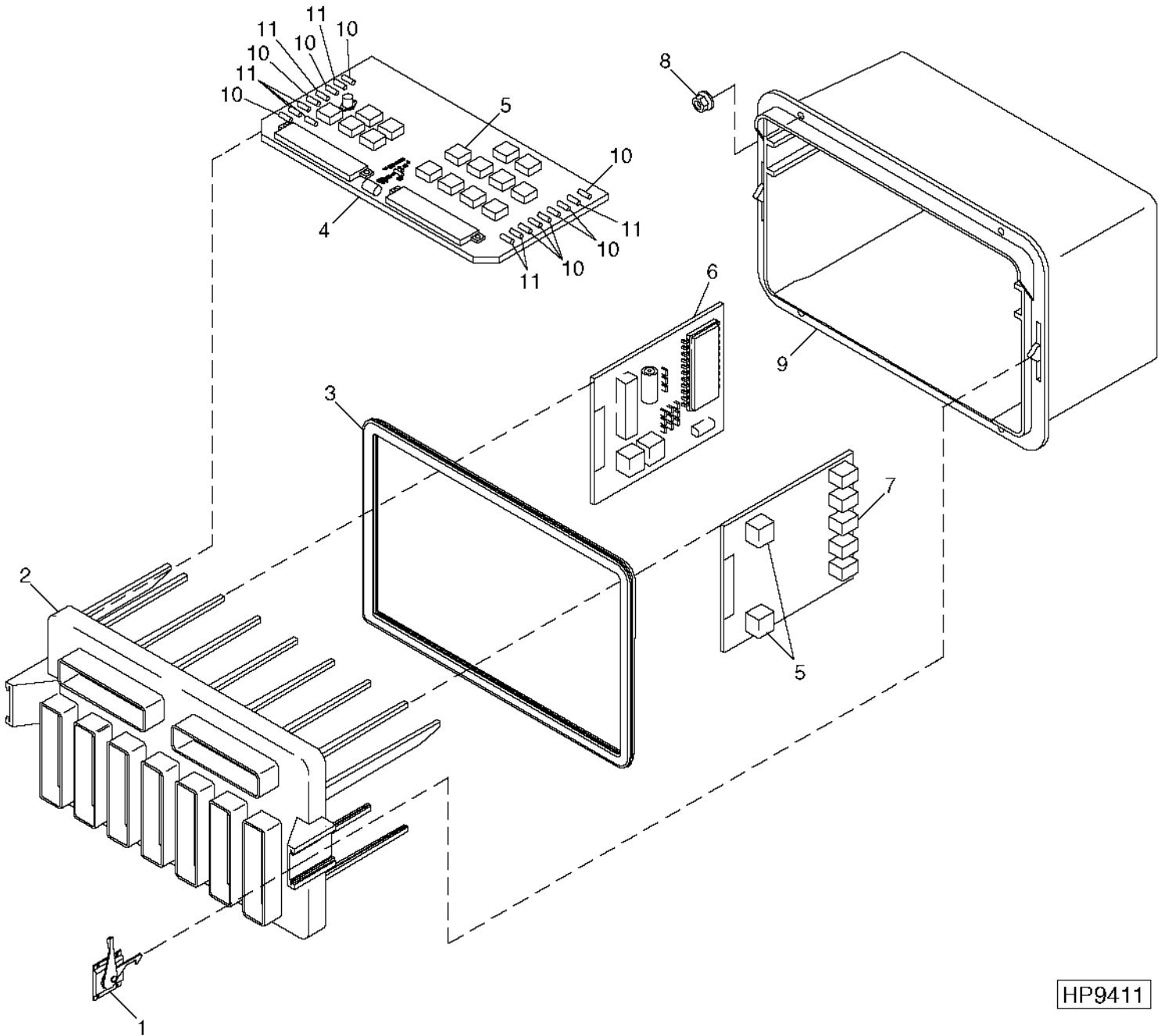
THROTTLE CONTROL PANEL, RELAY AND CIRCUIT BREAKER (6359) - CONTINUED

KEY	PART NO.	PART NAME	QTY	SERIAL NO.	REMARKS
1	H135963	PANEL	1		
2	AH131423	RELAY	1		
3	37M7060	SCREW	4		M4 X 10
4	12M7060	WASHER	2		5.300 MM (0.209")
5	24M7027	WASHER	2		5.300 X 10 X 1 MM
6	12H246	LOCK WASHER	2		0.190"
7	14H631	NUT	2		0.190"
8	AR55649	CIRCUIT BREAKER	1		(SUB AH160627) 10 AMP
	AH160627	CIRCUIT BREAKER	1		10 AMP SEALED
9	19M7865	SCREW	2		M8 X 16
10	AH89557	CLIP	2		
11	14M7298	FLANGE NUT	2		M8

1112

ELECTRICAL

CENTRAL ELECTRONICS MODULE AND CIRCUIT BOARDS
HP9411 -UN-04JAN00

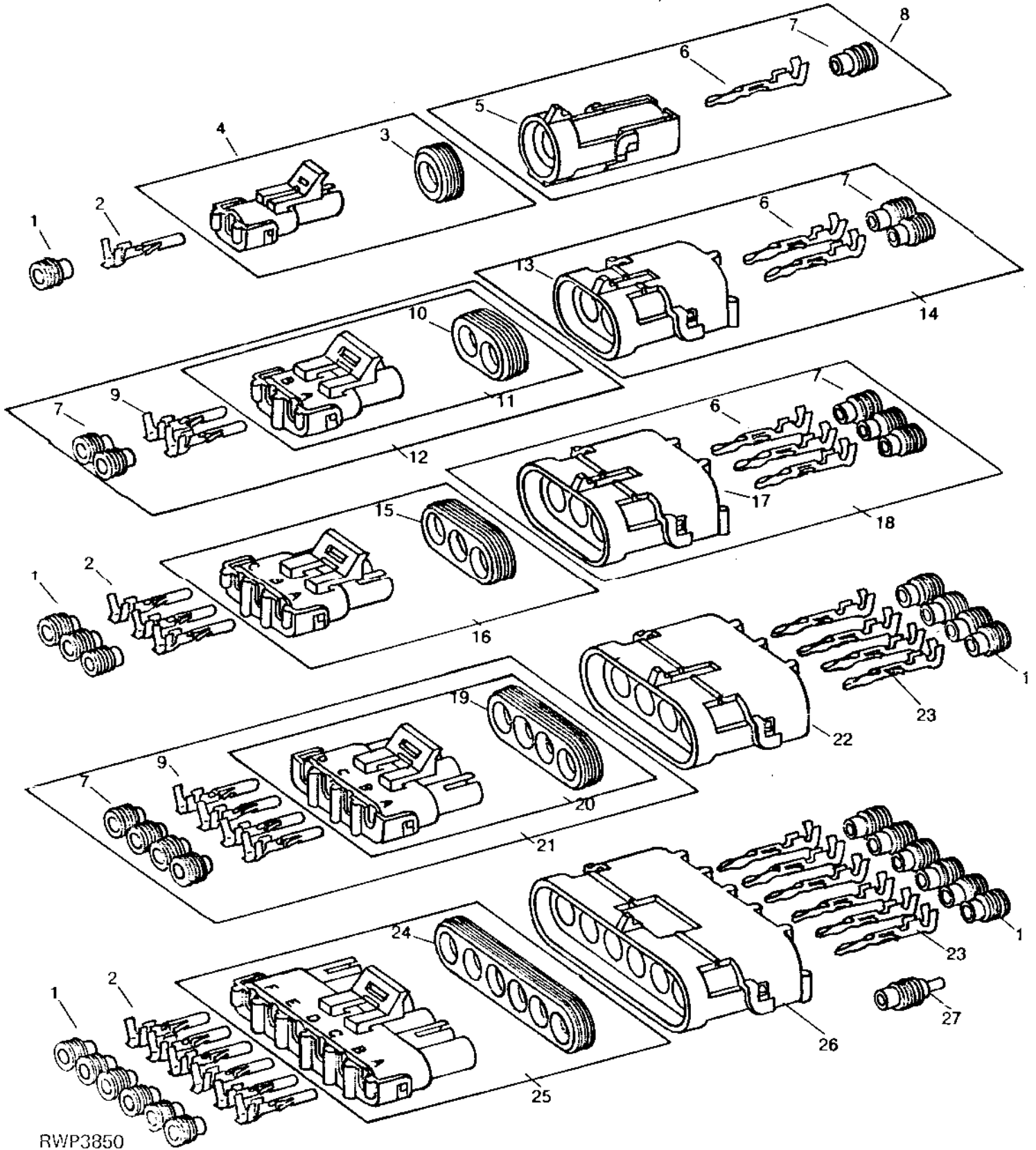


HP9411

CENTRAL ELECTRONICS MODULE AND CIRCUIT BOARDS - CONTINUED

KEY	PART NO.	PART NAME	QTY	SERIAL NO.	REMARKS
1	AH115943	LATCH	2		
2	H124206	COVER	1		
3	H144242	SEAL	1		
4	AH162179	CIRCUIT BOARD	1		(SUB FOR AH156418) POWER
5	AH106612	RELAY	17		
6	AH145964	CIRCUIT BOARD	1		REEL SPEED
7	AH145701	CIRCUIT BOARD	1		(W/O CONTOUR MASTER) DIAL-A-MATIC
	AH137147	CIRCUIT BOARD	1		(W/CONTOUR MASTER)
8	14M7303	FLANGE NUT	4		M6
9	H124205	BOX	1		
10	57M7146	FUSE	10		30A
11	57M7120	FUSE	8		20A
..	BH79902	COMPLETE GOODS/SHIP. BUNDLE	1		HEADER TRANSPORT WARNING LIGHTS
..	BH79900	COMPLETE GOODS/SHIP. BUNDLE	1		HEADER TRANSPORT WARNING LIGHTS
..	BH79485	COMPLETE GOODS/SHIP. BUNDLE	1		DIAL-A-SPEED CONTROL

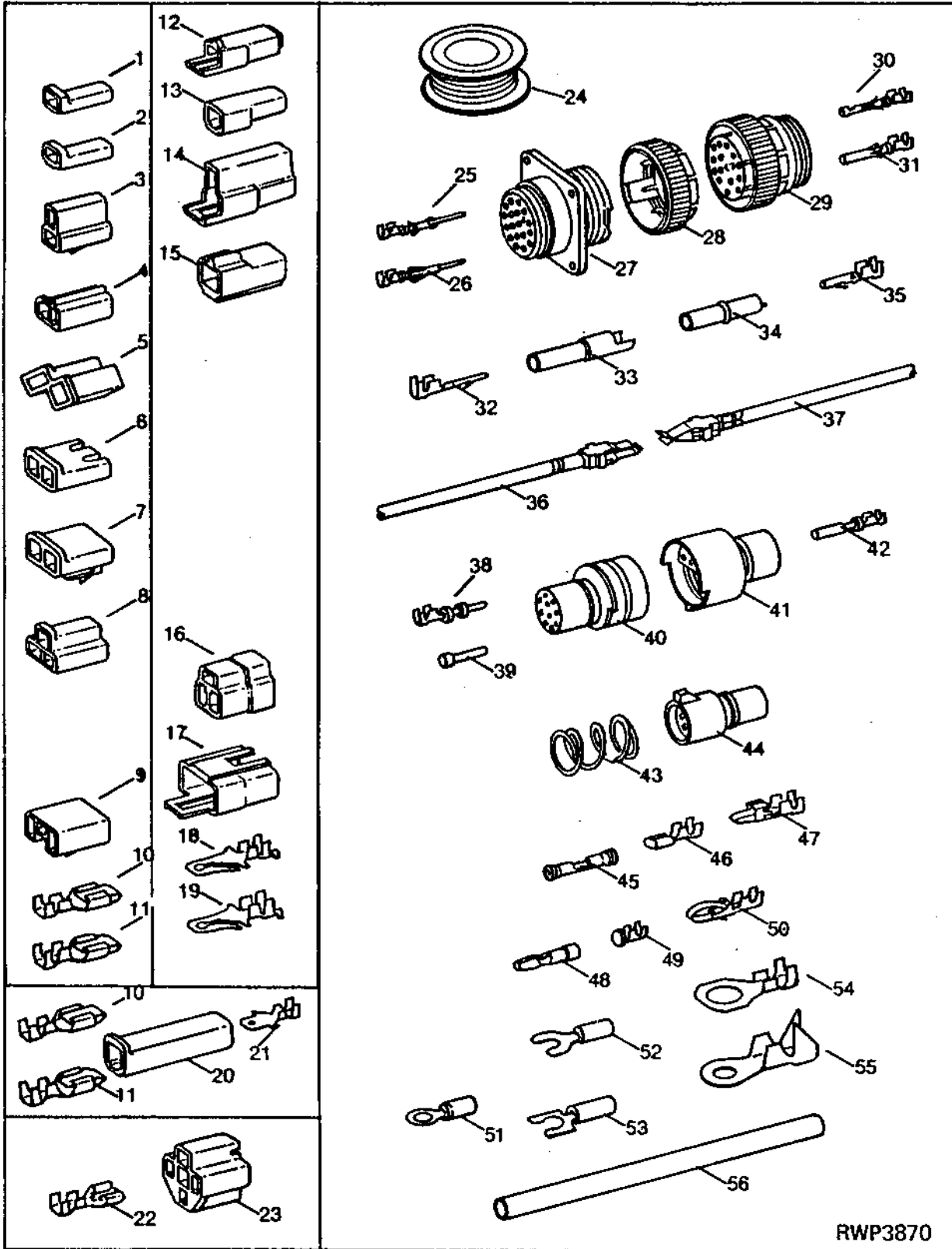
WEATHERPACK TERMINALS AND CONNECTORS
RWP3850 -UN-01JAN94



WEATHERPACK TERMINALS AND CONNECTORS - CONTINUED

KEY	PART NO.	PART NAME	QTY	SERIAL NO.	REMARKS
1	R78063	TERMINAL NIPPLE	1		(PKG. OF 40) (16 GA. WIRE) (GRAY)
	R78059	ELECTRICAL PLUG	1		(PKG. OF 40) (18 OR 20 GA. WIRE) (GREEN)
	R78062	TERMINAL NIPPLE	1		(PKG. OF 40) (14 GA. WIRE) (BLUE)
2	R78057	SOCKET CONTACT	1		(PKG. OF 40) (18 OR 20 GA. WIRE) (NO. 19)
	R78060	SOCKET CONTACT	1		(PKG. OF 40) (14 OR 16 GA. WIRE) (NO. 15)
3	R78047	SEAL	1		(PKG. OF 5)
4	RE12362	CONNECTOR	1		(PKG. OF 3)
5	R78052	PIN CONTACT CONNECTOR BODY	1		(PKG. OF 3)
6	R78061	PIN CONTACT	1		(PKG. OF 40) (14 OR 16 GA. WIRE) (NO. 15)
7	R78063	TERMINAL NIPPLE	1		(PKG. OF 40) (16 GA. WIRE) (GRAY)
8	RE12334	CONNECTOR	1		
9	R78060	SOCKET CONTACT	1		(PKG. OF 40) (14 OR 16 GA. WIRE) (NO. 15)
10	R78048	TERMINAL NIPPLE	1		(PKG. OF 5)
11	RE12363	CONNECTOR	1		(PKG. OF 3)
12	RE12331	CONNECTOR	1		
13	R78053	PIN CONTACT CONNECTOR BODY	1		(PKG. OF 3)
14	RE12330	CONNECTOR	1		
15	R78049	SEAL	1		(PKG. OF 5)
16	RE12364	SOCKET CONT.CONNECTOR BODY	1		(PKG. OF 3)
17	R78054	PIN CONTACT CONNECTOR BODY	1		(PKG. OF 3)
18	RE12332	CONNECTOR	1		
19	R78050	SEAL	1		(PKG. OF 5)
20	RE12365	CONNECTOR	1		(PKG. OF 2)
21	RE12333	CONNECTOR	1		
22	R78055	PIN CONTACT CONNECTOR BODY	1		(PKG. OF 2)
23	R78061	PIN CONTACT	1		(PKG. OF 40) (14 OR 16 GA. WIRE) (NO. 15)
	R78058	PIN CONTACT	1		(PKG. OF 40) (18 OR 20 GA. WIRE) (NO. 19)
24	R78051	SEAL	1		(PKG. OF 5)
25	RE12366	CONNECTOR	1		(PKG. OF 2)
26	R78056	PIN CONTACT CONNECTOR BODY	1		(PKG. OF 2)
27	R78064	ELECTRICAL PLUG	1		(PKG. OF 40)

ELECTRICAL CONNECTOR SERVICE KIT
RWP3870 -UN-01JAN94

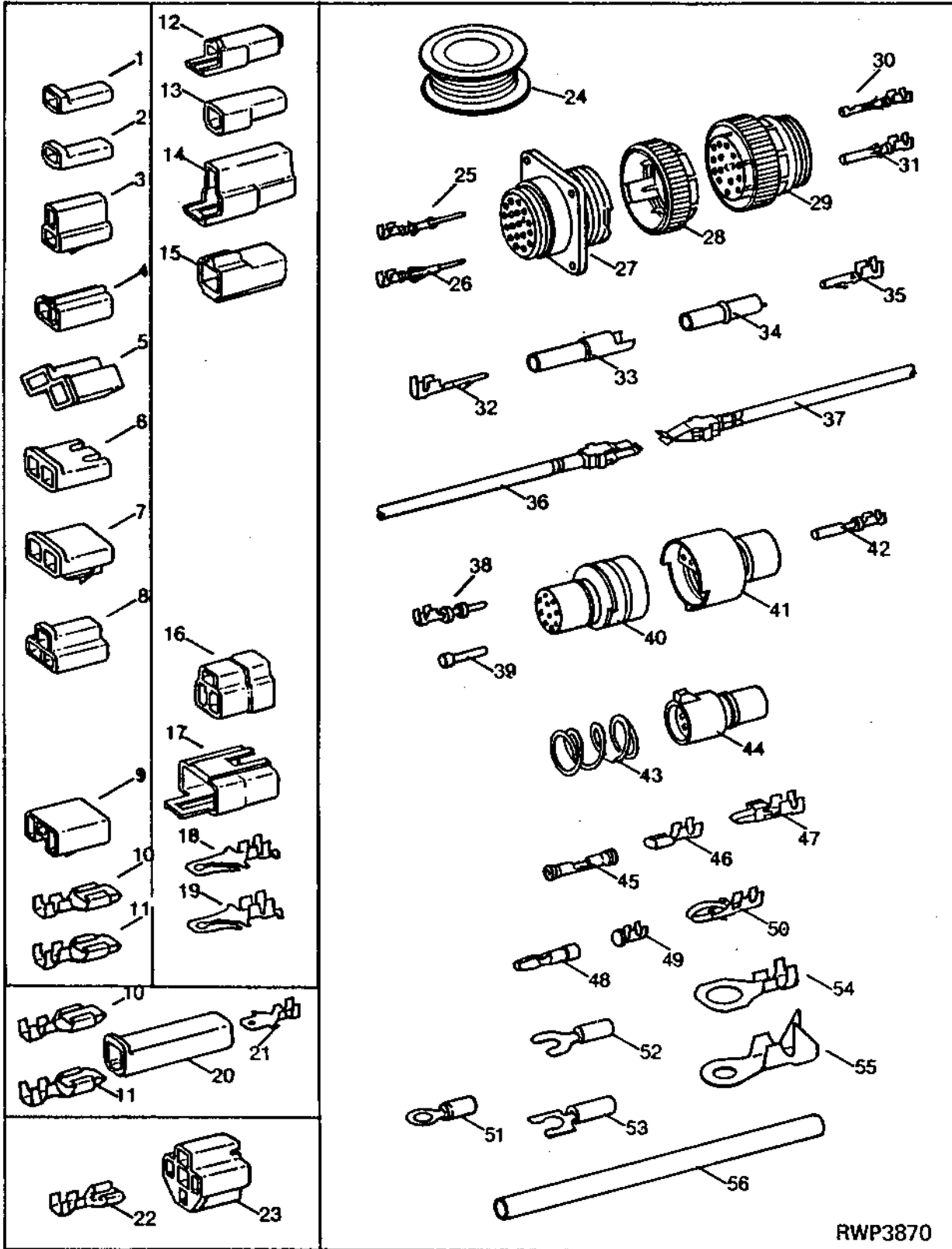


ELECTRICAL CONNECTOR SERVICE KIT - CONTINUED

KEY	PART NO.	PART NAME	QTY	SERIAL NO.	REMARKS
1	T28583	RECEPTACLE CONNECTOR BODY	1	(B)	
2	M43835	FLAT CONNECTOR	1	(B)	
3	R77476	CONNECTOR	1	(A)	
4	R77477	RECEPTACLE CONNECTOR BODY	1	(A)	
5	R77479	CONNECTOR	1	(A)	
6	R77480	RECEPTACLE CONNECTOR BODY	1	(A)	
7	R77481	CONNECTOR	1	(A)	
8	R77482	CONNECTOR	1		
9	H104855	RECEPTACLE CONNECTOR BODY	1		
10	U46662	TERMINAL	1	(E) (F)	
11	N115096	TERMINAL	1	(G) (PKG. OF 15)	
12	T28585	TAB CONNECTOR BODY	1	(B)	
13	R77475	CONNECTOR	1	(B)	
14	T28586	CONNECTOR	1	(A)	
15	R77478	CONNECTOR	1	(A)	
16	R77483	CONNECTOR	1		
17	R48887	TAB CONNECTOR BODY	1		
18	T34067	TERMINAL	1	(E) (F)	
19	R77484	TERMINAL	1	(G) (PKG. OF 15)	
20	U46370	CONNECTOR	1	(B)	
21	R77485	TAB	1	(C) (F)	
22	R77486	TERMINAL	1	(E)	
23	R77487	CONNECTOR	1	(B)	
24	R66321	WIRING LEAD	1	15M (50 FT.) 10 GA.	
	R66320	WIRING LEAD	1	30.5M (100 FT.) 12 GA.	
	R77501	WIRE	1	30.5M (100 FT.) 14 GA.	
	R77500	WIRE	1	30.5M (100 FT.) 16 GA.	
	R77499	WIRE	1	30.5M (100 FT.) 18 GA. (SUB TY16086)	
	TY16086	WIRE	1		
	R77498	WIRE	1	30.5M (100 FT.) 20 GA.	
25	R77462	PIN CONTACT	1	(PKG. OF 40) 20-22 OR 24 GA. WIRE	
26	R77464	PIN CONTACT	1	(H) (PKG. OF 50)	
27	R77456	RECEPTACLE	1	(37 WAY)	
28	R77458	CONNECTOR	1	(A) SIZE 23	
	R77459	CONNECTOR	1	(A) SIZE 17	
	R77460	CONNECTOR	1	(A) SIZE 13	
	R77461	CONNECTOR	1	(A) SIZE 11	
29	R77457	ELECTRICAL PLUG	1	37 WAY	
30	R77463	SOCKET CONTACT	1	(PKG. OF 40) 20-22 OR 24 GA. WIRE	
31	R77465	SOCKET CONTACT	1	(H) (PKG. OF 50)	
32	R77468	TERMINAL	1	(PKG. OF 5) 18 GA.	
33	R77466	CONNECTOR	1	(A)	
34	R77467	CONNECTOR	1	(A)	

- (A) PKG. OF 2
- (B) PKG. OF 3
- (C) PKG. OF 10
- (D) PKG. OF 20
- (E) PKG. OF 25
- (F) 14 OR 16 GA. WIRE
- (G) 10 OR 12 GA. WIRE
- (H) 14-16 OR 18 GA. WIRE

ELECTRICAL CONNECTOR SERVICE KIT
RWP3870 -UN-01JAN94

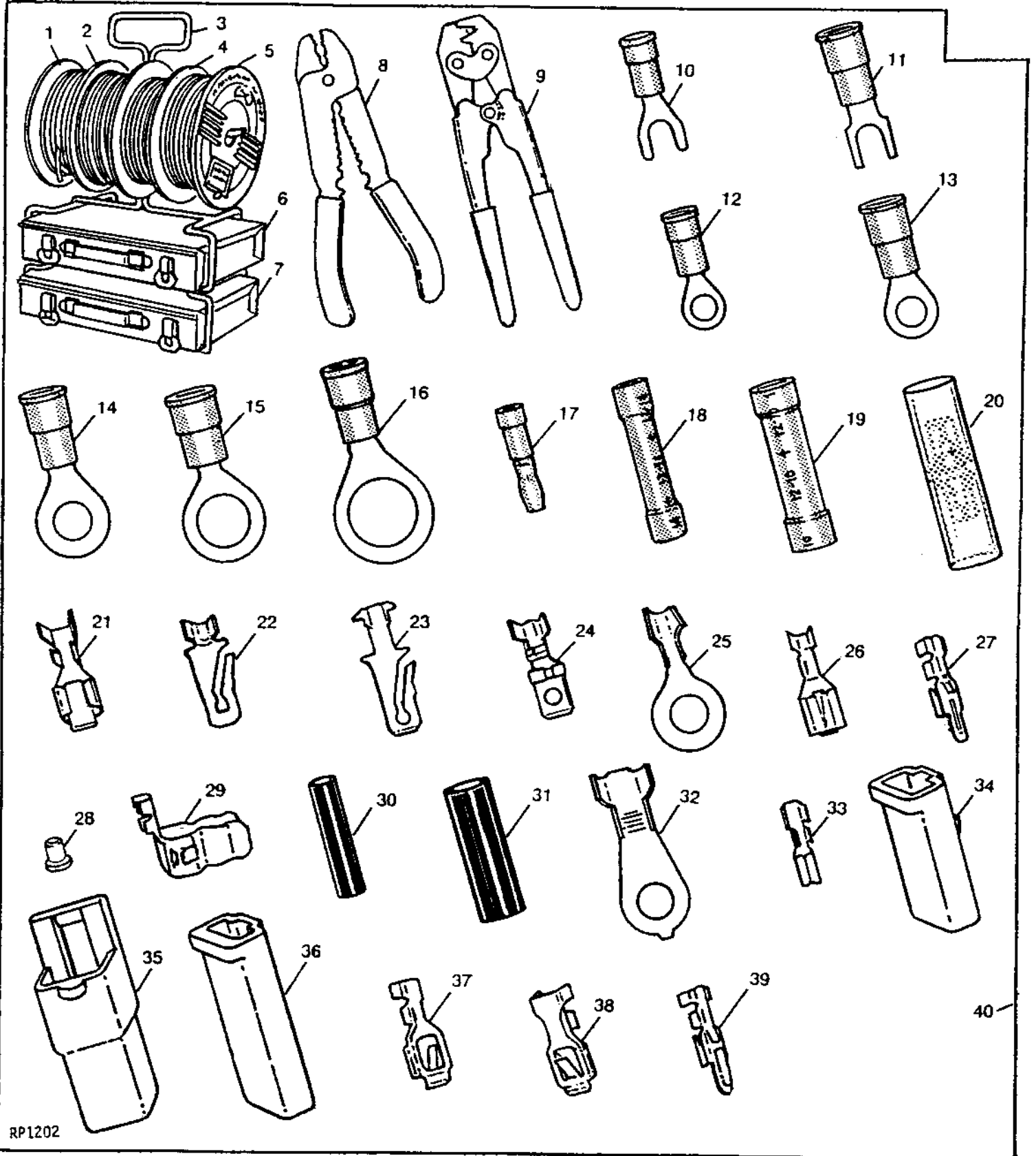


ELECTRICAL CONNECTOR SERVICE KIT - CONTINUED

KEY	PART NO.	PART NAME	QTY	SERIAL NO.	REMARKS
35	R77469	TERMINAL	1		(PKG. OF 5) 18 GA.
36	RE11156	TERMINAL	1		(B) MALE
37	RE11157	TERMINAL	1		(B) FEMALE
38	R70222	PIN CONTACT	1		(D) (H)
39	R70221	ELECTRICAL PLUG	1		(E)
40	R70219	PLUG	1		(PKG. OF (2) R70218 AND (2) R70219) 10 WAY
	R70217	PLUG	1		(PKG. OF (2) R70216 AND (2) R70217) 7 WAY
	R70215	PLUG	1		(PKG. OF (2) R70214 AND (2) R70215) 4 WAY
	R70213	PIN CONTACT CONNECTOR BODY	1		(PKG. OF (2) R70212 AND (2) R70213) 3 WAY
	R70211	CONNECTOR	1		(PKG. OF (2) R70210 AND (2) R70211) 2 WAY
41	R70218	RECEPTACLE	1		ORDER R70219 WHICH CONTAINS (2) R70218 AND (2) R70219
	R70216	RECEPTACLE	1		ORDER R70217 WHICH CONTAINS (2) R70216 AND (2) R70217
	R70214	RECEPTACLE	1		ORDER R70215 WHICH CONTAINS (2) R70214 AND (2) R70215
	R70212	RECEPTACLE	1		ORDER R70213 WHICH CONTAINS (2) R70212 AND (2) R70213
	R70210	RECEPTACLE	1		(ORDER R70211) ORDER R70211 WHICH CONTAINS (2) R70210 AND (2) R70211
42	AR91793	SOCKET CONTACT	1		(D)
43	R30378	SPRING	1		(C)
44	R77474	CONNECTOR	1		(A) 6 WAY
45	R77470	TERMINAL	1		SPLICE (PKG. OF 15) 16-18-20 OR 22 GA. WIRE
	R77471	TERMINAL	1		(C) (G) SPLICE
	R77472	TERMINAL	1		(A) SPLICE (8 GA. WIRE)
	R77473	TERMINAL	1		(A) SPLICE (6 GA. WIRE)
46	R65607	TERMINAL	1		(C) (18 OR 20 GA. WIRE)
47	U46664	TERMINAL	1		(C) (F)
48	R32026	TERMINAL	1		(D) (F)
49	R65602	SOCKET CONTACT	1		(C) 16 OR 18 GA. WIRE
50	R70220	TERMINAL	1		(C) 18 OR 20 GA. WIRE
51	R77489	TERMINAL	1		(D) 14-16-18 OR 20 GA. WIRE; NO. 10 EYELET
	R77493	TERMINAL	1		(D) (G) NO. 10 EYELET
	R77488	TERMINAL	1		(D) 14-16-18 OR 20 GA. WIRE; 3/8" EYELET
	R77490	TERMINAL	1		(D) (G) (1/2" EYELET)
52	R77496	TERMINAL	1		(D) (F) NO. 8 SPADE
	R77495	TERMINAL	1		(D) 18 GA. WIRE; NO. 10 SPADE
53	R77497	TERMINAL	1		(D) (F) NO. 6 SPADE
54	R77491	TERMINAL	1		(D) (G) 3/8" EYELET
	R77492	TERMINAL	1		(D) (G) 1/4" EYELET
55	R77494	TERMINAL	1		(D) 6 OR 8 GA. WIRE; 1/4" EYELET
56	R77502	TUBE	1		(PKG. OF 8) 3/8", HEAT SHRINK
	R77503	TUBE	1		(PKG. OF 8) 3/16", HEAT SHRINK
57	PM797NA	KIT	1		

- (A) PKG. OF 2
- (B) PKG. OF 3
- (C) PKG. OF 10
- (D) PKG. OF 20
- (E) PKG. OF 25
- (F) 14 OR 16 GA. WIRE
- (G) 10 OR 12 GA. WIRE
- (H) 14-16 OR 18 GA. WIRE

TERMINAL AND WIRING KIT
RP1202 -UN-12SEP95

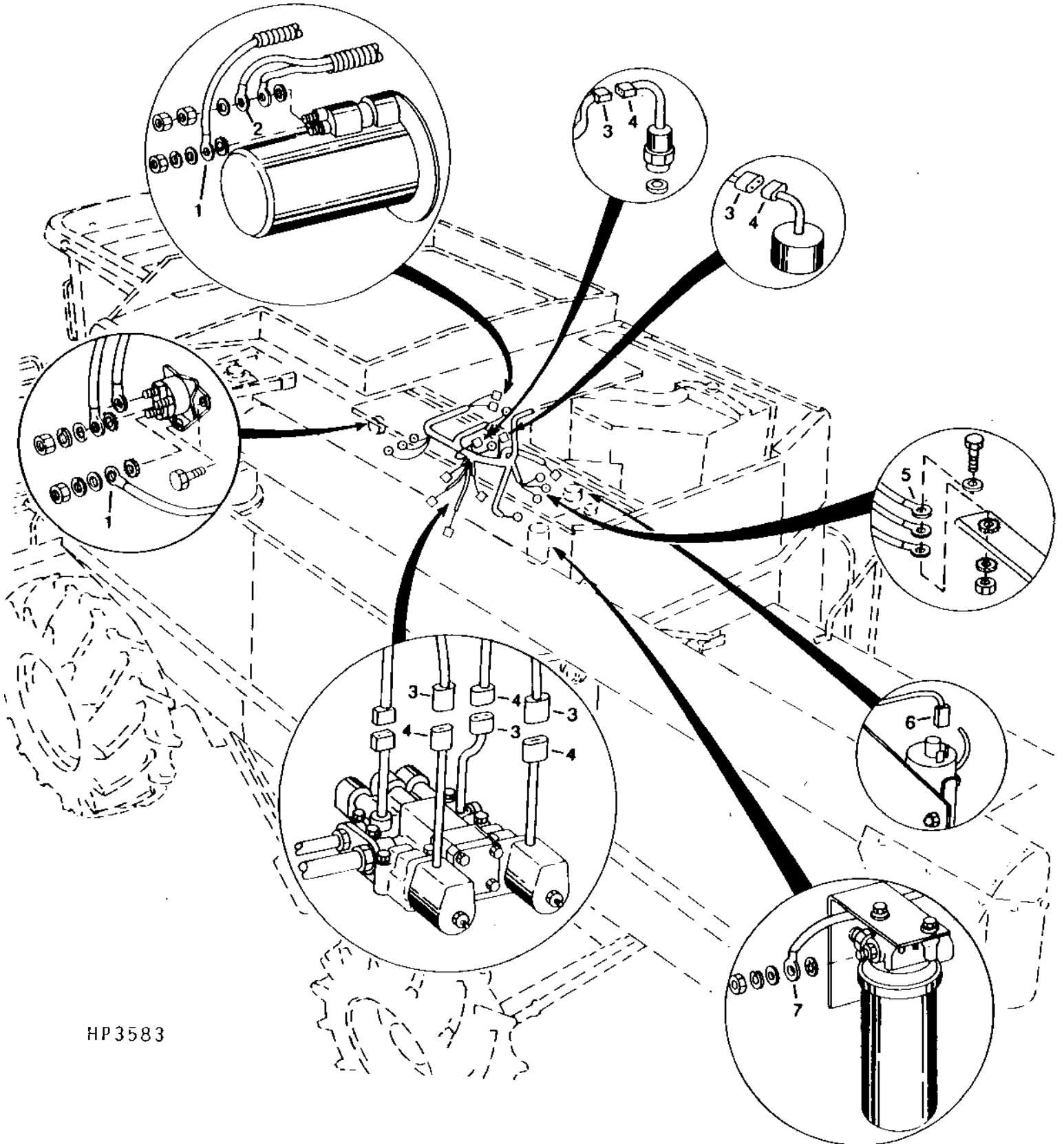


RP1202

TERMINAL AND WIRING KIT - CONTINUED

KEY	PART NO.	PART NAME	QTY	SERIAL NO.	REMARKS
1	R66319	WIRING LEAD	1		PRIMARY, 14 GA., 30,480 MM (100') (1 SPOOL)
2	R65593	WIRING LEAD	1		PRIMARY, 16 GA., 30,480 MM (100') (1 SPOOL)
3	R65608	RACK	1		
4	R66321	WIRING LEAD	1		PRIMARY, 10 GA., 15,240 MM (50') (1 SPOOL)
5	R66320	WIRING LEAD	1		PRIMARY, 12 GA., 30,480 MM (100') (1 SPOOL)
6	R65609	CONTAINER	1		32 COMPARTMENT
7	R65610	CONTAINER	1		11 COMPARTMENT
8	R32011	TOOL	1		WIRING, STRIPPING
9	R65594	TOOL	1		WIRING, CRIMPING
10	R32016	TERMINAL	1		PRIMARY, 14-16 GA., NO. 10 SPADE
11	R32017	TERMINAL	1		PRIMARY, 10-12 GA., NO. 10 SPADE
12	R32018	TERMINAL	1		PRIMARY, 14-16 GA., NO. 10 EYELET
13	R32019	TERMINAL	1		PRIMARY, 10-12 GA., NO. 10 EYELET
14	R32021	TERMINAL	1		PRIMARY, 10-12 GA., 1/4" EYELET
15	R32022	TERMINAL	1		PRIMARY, 10-12 GA., 3/8" EYELET
16	R32023	TERMINAL	1		PRIMARY, 10-12 GA., 1/2" EYELET
17	R32026	TERMINAL	1		MALE BULLET
18	R32027	CONNECTOR	1		SPLICE, 14-16 GA.
19	R32028	TERMINAL	1		SPLICE, 10-12 GA.
20	AL2976T	CONNECTOR	1		2-WIRE BULLET CONNECTOR
21	R65595	TERMINAL	1		FEMALE, 10 GA.
22	R65596	TERMINAL	1		MALE, 10 GA., OR TWO 14 GA. CABLES
23	R65597	TERMINAL	1		MALE, 14-16 GA.
24	R65598	TERMINAL	1		MALE, SHORT, 14-16 GA.
25	R65599	TERMINAL	1		14-16 GA., 1/4" EYELET
26	R65600	TERMINAL	1		FEMALE, 14-16 GA.
27	R65601	TERMINAL	1		TWIN-LOCK, TWO 16 GA. CABLES
28	R65602	SOCKET CONTACT	1		BULB SOCKET, 16-18 GA.
29	R65603	TERMINAL NIPPLE	1		FUSE
30	R65604	INSULATING SLEEVE	1		14-18 GA.
31	R65605	INSULATING SLEEVE	1		8-12 GA.
32	R65606	TERMINAL	1		6-8 GA., 1/4" EYELET
33	R65607	TERMINAL	1		18-20 GA.
34	T28583	RECEPTACLE CONNECTOR BODY	1		ONE CONTACT LOCK-TYPE, MALE
35	T28585	TAB CONNECTOR BODY	1		ONE CONTACT LOCK-TYPE, FEMALE
36	U46370	CONNECTOR	1		ONE CONTACT SINGLE BODY, MALE
37	U46662	TERMINAL	1		CONNECTOR, ONE CONTACT SINGLE BODY, MALE
38	U46663	TERMINAL	1		MALE
39	U46664	TERMINAL	1		MALE
40	PM797NA	KIT	1		TERMINALS AND WIRING

LOWER HARNESS CONNECTORS FOR ENGINE
HP3583 -UN-01JAN94

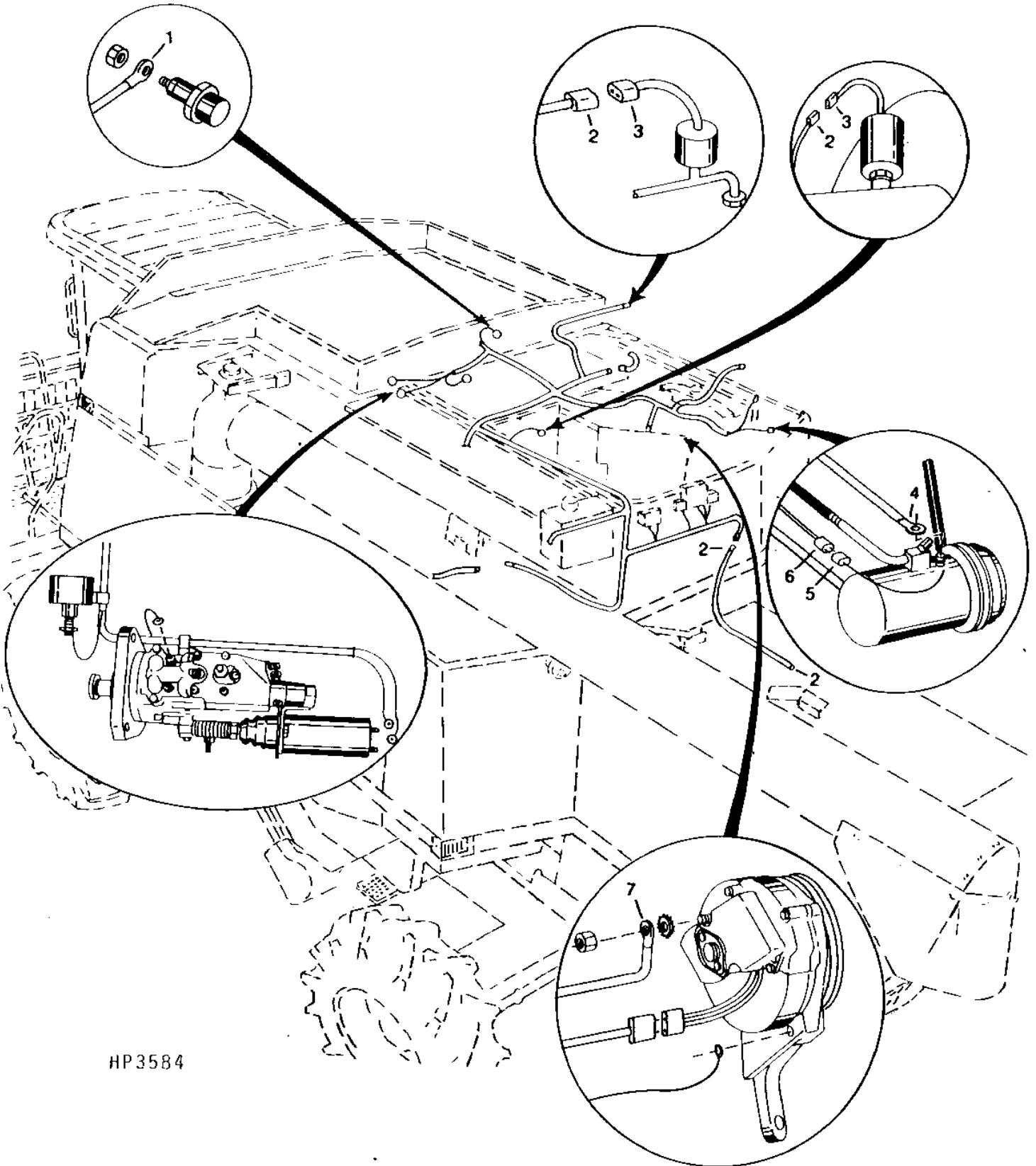


HP3583

LOWER HARNESS CONNECTORS FOR ENGINE - CONTINUED

KEY	PART NO.	PART NAME	QTY	SERIAL NO.	REMARKS
1	R77493	TERMINAL	1		
2	R77491	TERMINAL	1		
3	RE12363	CONNECTOR	1		(PKG OF 3)
	R78048	TERMINAL NIPPLE	1		(PKG OF 5)
	R78060	SOCKET CONTACT	1		(PKG OF 40)
	R78063	TERMINAL NIPPLE	1		(PKG OF 40)
4	R78053	PIN CONTACT CONNECTOR BODY	1		(PKG OF 3)
	R78061	PIN CONTACT	1		(PKG OF 40)
	R78063	TERMINAL NIPPLE	1		(PKG OF 40)
5	57M7111	TERMINAL	1		
6	R77479	CONNECTOR	1		
	U46662	TERMINAL	1		
7	R77489	TERMINAL	1		

UPPER HARNESS CONNECTORS FOR ENGINE
HP3584 -UN-01JAN94



HP3584

UPPER HARNESS CONNECTORS FOR ENGINE - CONTINUED

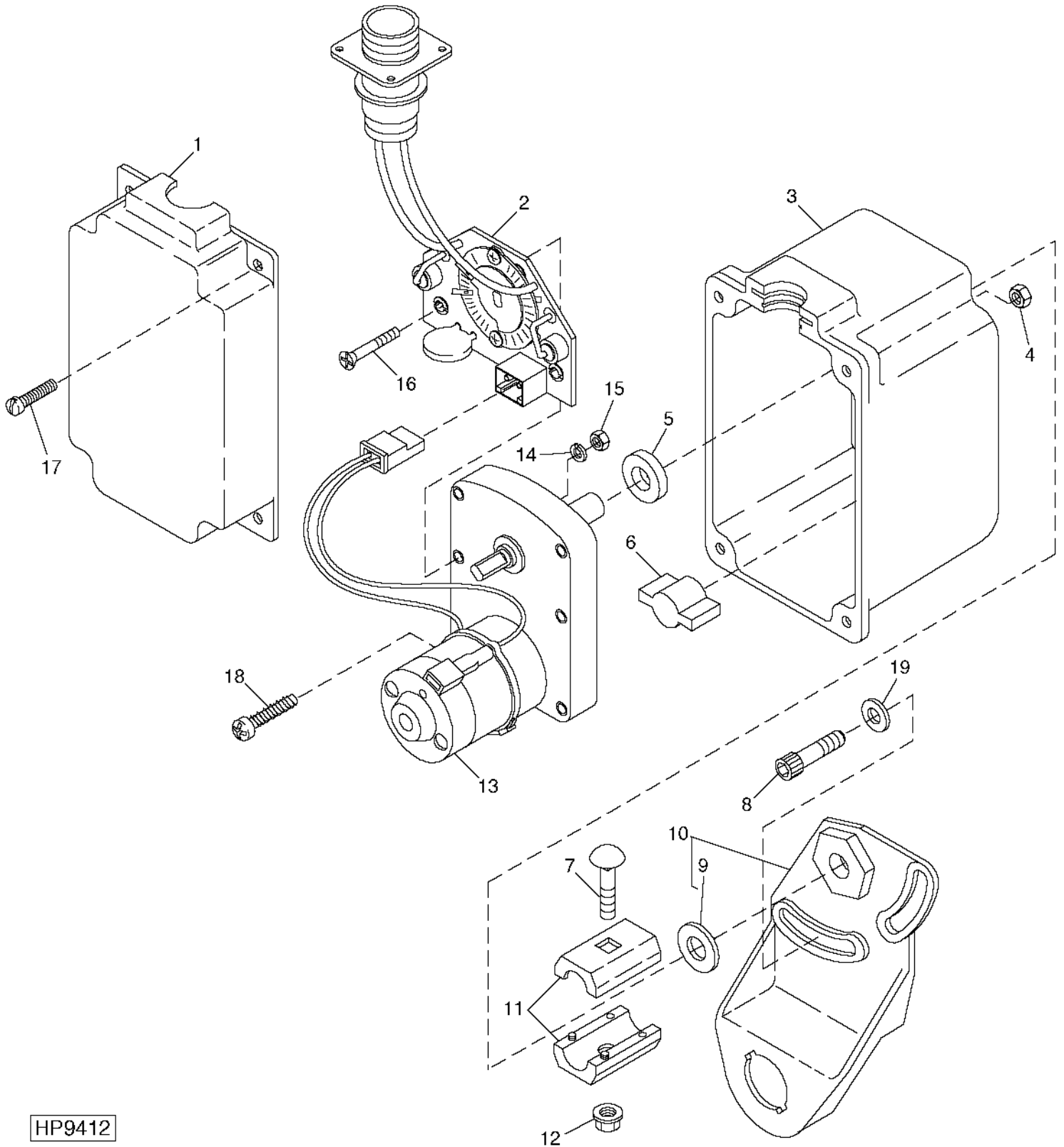
KEY	PART NO.	PART NAME	QTY	SERIAL NO.	REMARKS
1	R77489	TERMINAL	1		
2	RE12363	CONNECTOR	1		(PKG OF 3)
	R78060	SOCKET CONTACT	1		(PKG OF 40)
	R78063	TERMINAL NIPPLE	1		(PKG OF 40)
3	R78053	PIN CONTACT CONNECTOR BODY	1		(PKG OF 3)
	R78061	PIN CONTACT	1		(PKG OF 40)
	R78063	TERMINAL NIPPLE	1		(PKG OF 40)
4	R77489	TERMINAL	1		
5	R78052	PIN CONTACT CONNECTOR BODY	1		(PKG OF 3)
	R78061	PIN CONTACT	1		(PKG OF 40)
	R78063	TERMINAL NIPPLE	1		(PKG OF 40)
6	RE12362	CONNECTOR	1		(PKG OF 3)
	R78047	SEAL	1		(PKG OF 5)
	R78060	SOCKET CONTACT	1		(PKG OF 40)
	R78063	TERMINAL NIPPLE	1		(PKG OF 40)
7	R77494	TERMINAL	1		

1J1

ELECTRICAL

REEL SPEED MOTOR AND BRACKET

HP9412 -UN-04JAN00



HP9412

1J2

ELECTRICAL

REEL SPEED MOTOR AND BRACKET - CONTINUED

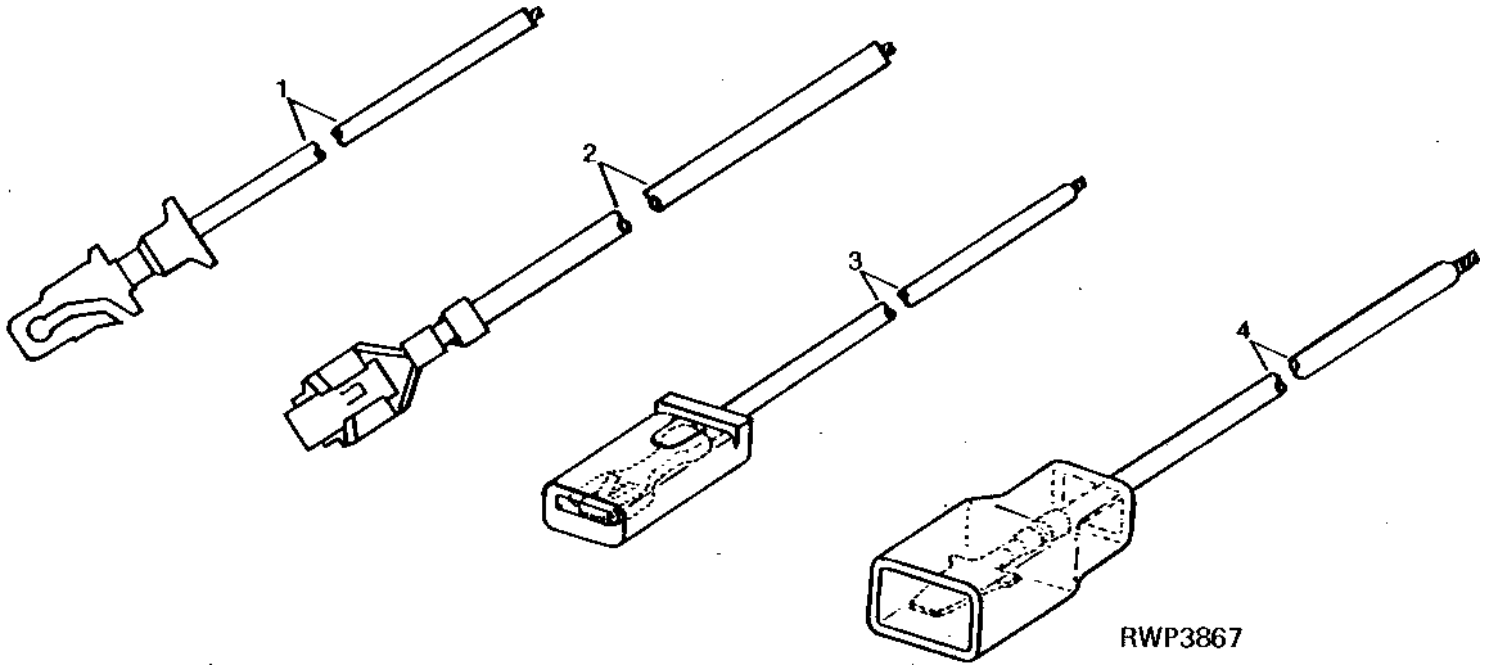
KEY	PART NO.	PART NAME	QTY	SERIAL NO.	REMARKS
1	H133852	BOX	1		
2	AH139987	PRINTED CIRCUIT	1		
3	H133851	BOX	1		
4	14M7139	NUT	4	M4	
5	M121T	WASHER	1		
6	H133981	SEAL	1		
7	03M7290	BOLT	1		
8	19H2925	SCREW	2	1/4" X 1/2"	
9	H146950	WASHER	1		
10	AH141813	KIT	1		INCLUDES RUBBER WASHER FOR GREASE
11	H114020	HALF CLAMP	2		
12	14M7397	LOCK NUT	1		
13	AH128865	MOTOR	1		
14	12H314	LOCK WASHER	2	0.138"	
15	14H1026	NUT	2	0.138"	
16	21H1184	SCREW	2	0.138" X 1-1/8"	
17	21M7250	SCREW	4	M4 X 12	
18	H144032	SCREW	4		
19	24M7027	WASHER	2	5.300 X 10 X 1 MM	

1J3

ELECTRICAL

SUPPLEMENTARY TERMINALS AND CONNECTORS

RWP3867 -UN-01JAN94



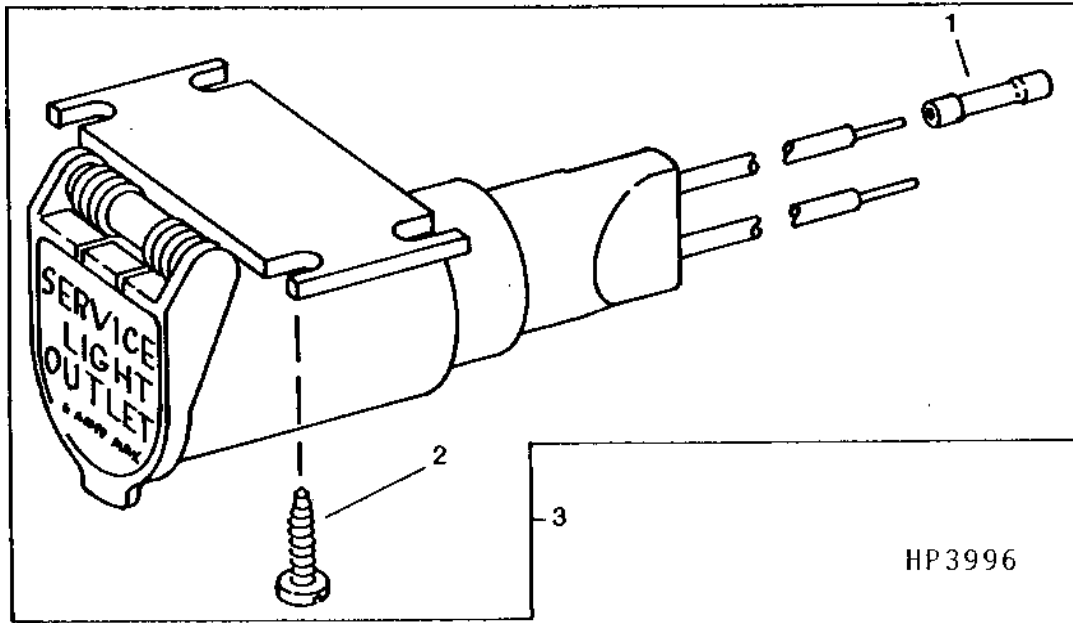
KEY	PART NO.	PART NAME	QTY	SERIAL NO.	REMARKS
1	AR65005	TERMINAL	1		
2	AR65006	TERMINAL	1		
3	R32024	WIRING LEAD	1		
4	R32025	WIRING LEAD	1		

1J4

ELECTRICAL

ELECTRICAL SERVICE OUTLET

HP3996 -UN-01JAN94

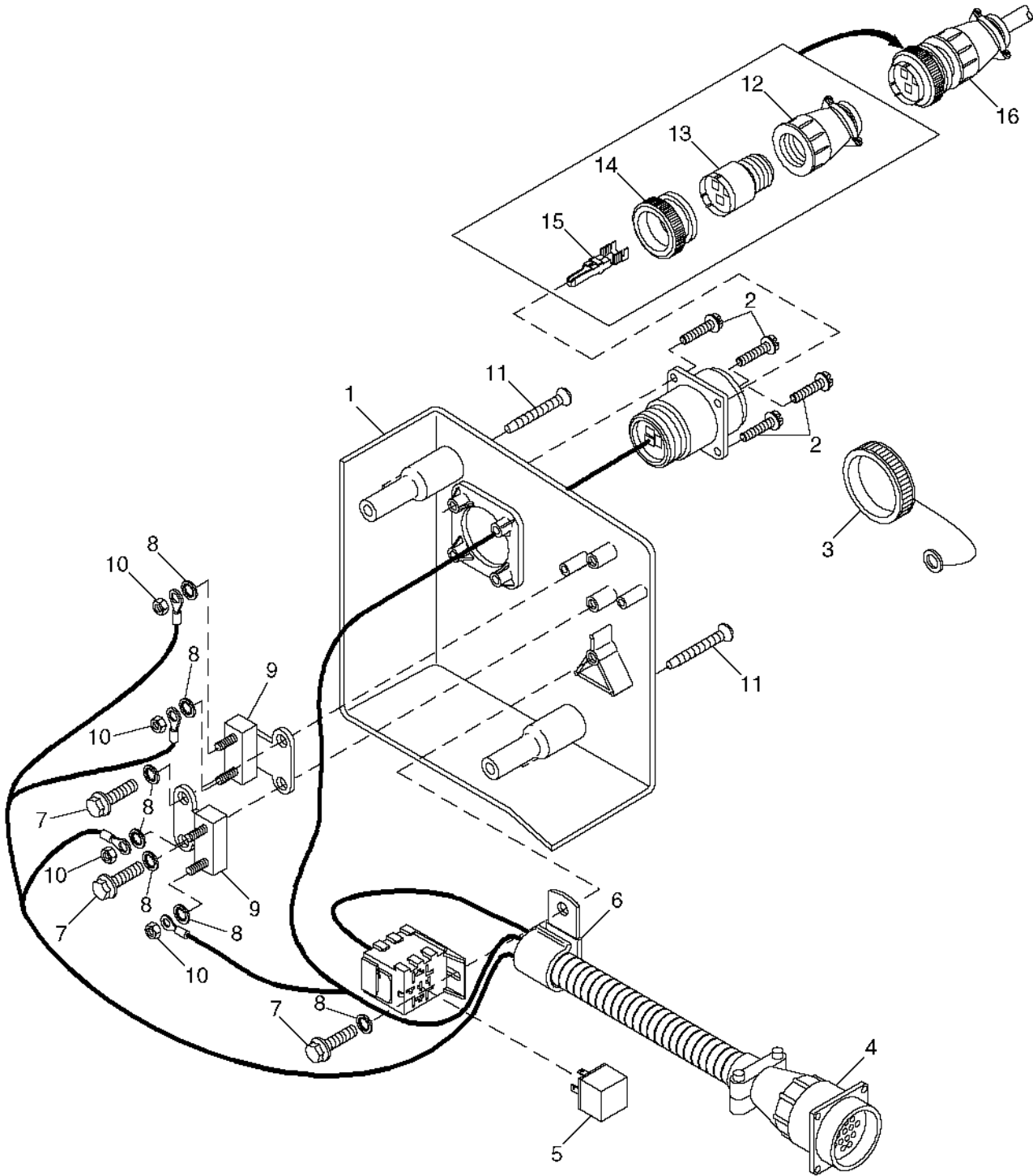


KEY	PART NO.	PART NAME	QTY	SERIAL NO.	REMARKS
1	R32027	CONNECTOR	2		
2	37M7060	SCREW	2	M4 X 10	
3	AH135821	SOCKET OUTLET	1		

1J5

ELECTRICAL

CONVENIENCE OUTLET
HP9413 -UN-04JAN00



HP9413

1J6

ELECTRICAL

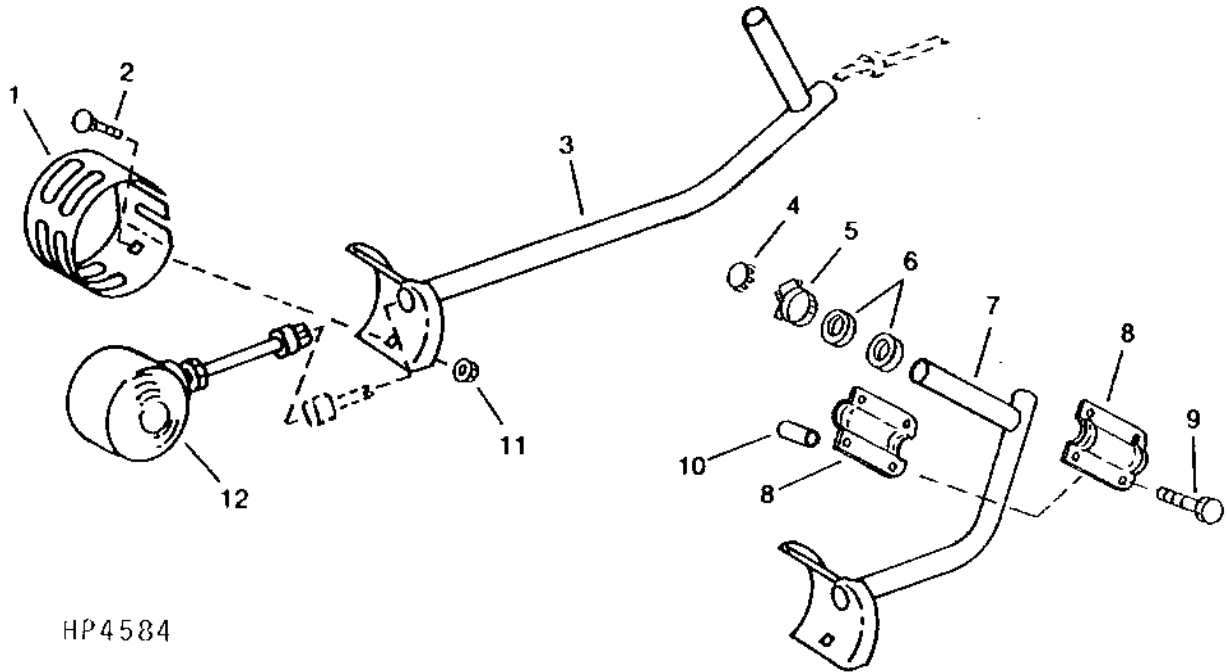
CONVENIENCE OUTLET - CONTINUED

KEY	PART NO.	PART NAME	QTY	SERIAL NO.	REMARKS
1	H168998	BRACKET	1		(SUB FOR H151579)
2	H111364	SCREW	4		
3	57M7391	INSULATING CAPSULE	1		
4	AH161930	WIRING HARNESS	1		(SUB FOR AH152020)
5	AH106612	RELAY	1		
6	AH89557	CLIP	1		
7	H123998	SCREW	3		
8	12H295	LOCK WASHER	7		4.826 MM (0.190")
9	AR49352	CIRCUIT BREAKER	2		30 AMP
10	14H778	NUT	4		4.826 MM (0.190")
11	H132451	CAP SCREW	2		M6 X 50
12	AE44931	CONNECTOR	1		
13	AE44929	CONNECTOR	1		
14	R77459	CONNECTOR	1		
15	RE11157	TERMINAL	2		
16	RE37651	PLUG	1		

1J7

ELECTRICAL

TRANSPORT WARNING LIGHTS
HP4584 -UN-01JAN94



HP4584

TRANSPORT WARNING LIGHTS - CONTINUED

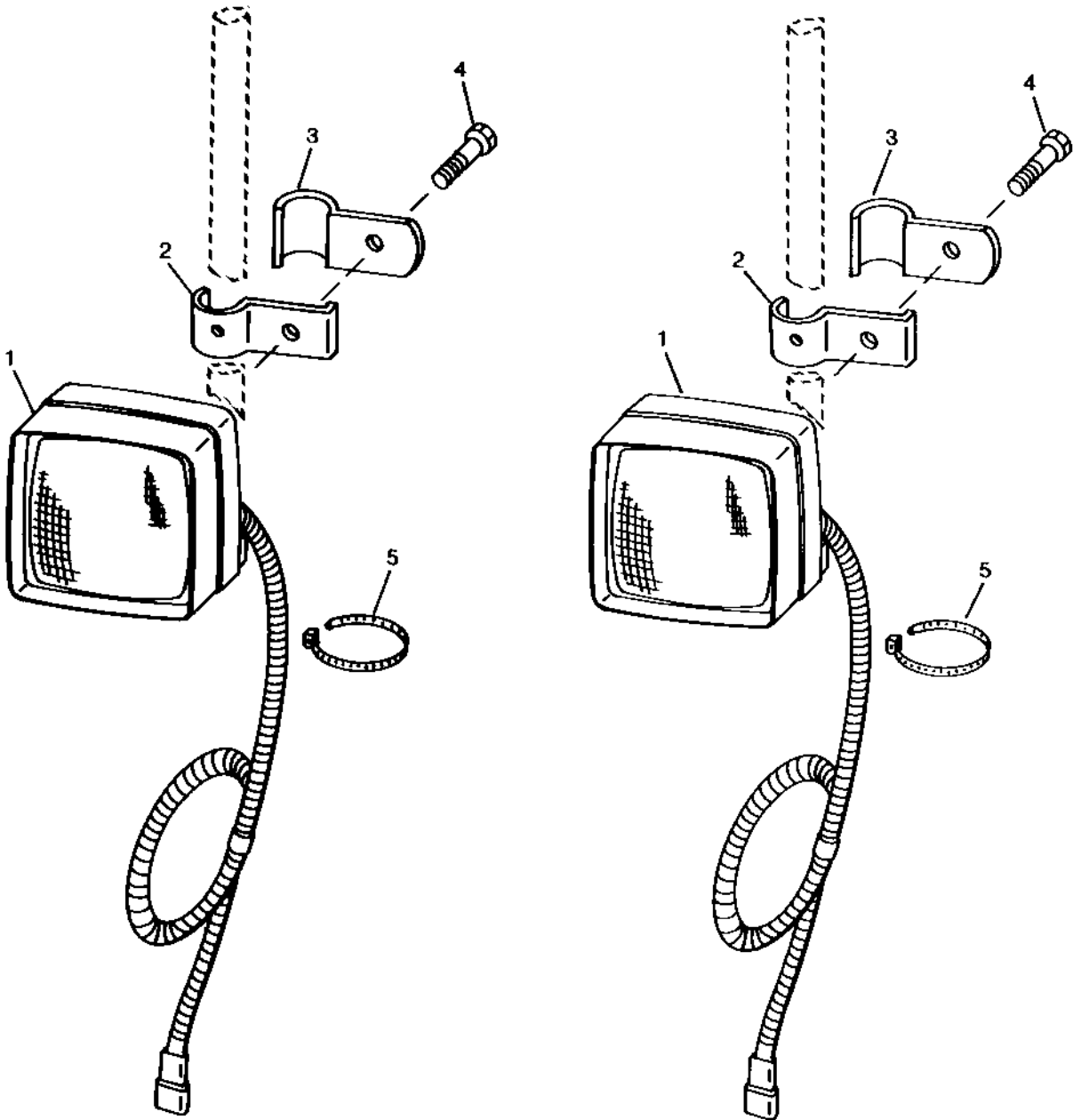
KEY	PART NO.	PART NAME	QTY	SERIAL NO.	REMARKS
1	AH163046	SHIELD	1	(SUB FOR H143317) L.H., SHORT ARM	
	AH163047	SHIELD	1	(SUB FOR H143317) R.H., SHORT ARM	
	AH163048	SHIELD	1	(SUB FOR H143317) L.H., LONG ARM	
	AH163049	SHIELD	1	(SUB FOR H143317) R.H., LONG ARM	
2	03M7183	BOLT	4	M8 X 16	
3	AH136496	TUBE	2		
4	H106000	PLUG	2		
5	AT18904	CLAMP	2		
6	H136110	ISOLATOR	2		
7	AH136494	TUBE	2		
8	H136109	SUPPORT	4		
9	19M7863	SCREW	8	M6 X 25	
10	28H1914	BUSHING	4		
11	14M7298	FLANGE NUT	4	M8	
12	AH133316	LAMP	2	(SUB AH164497)	
	AH164497	LAMP	2		
..	BH79539	COMPLETE GOODS/SHIP. BUNDLE	1	LAMP AND SHIELD	

1J9

ELECTRICAL

FIELD LIGHTS

HP5865 -UN-15OCT94



HP5865

1J10

ELECTRICAL

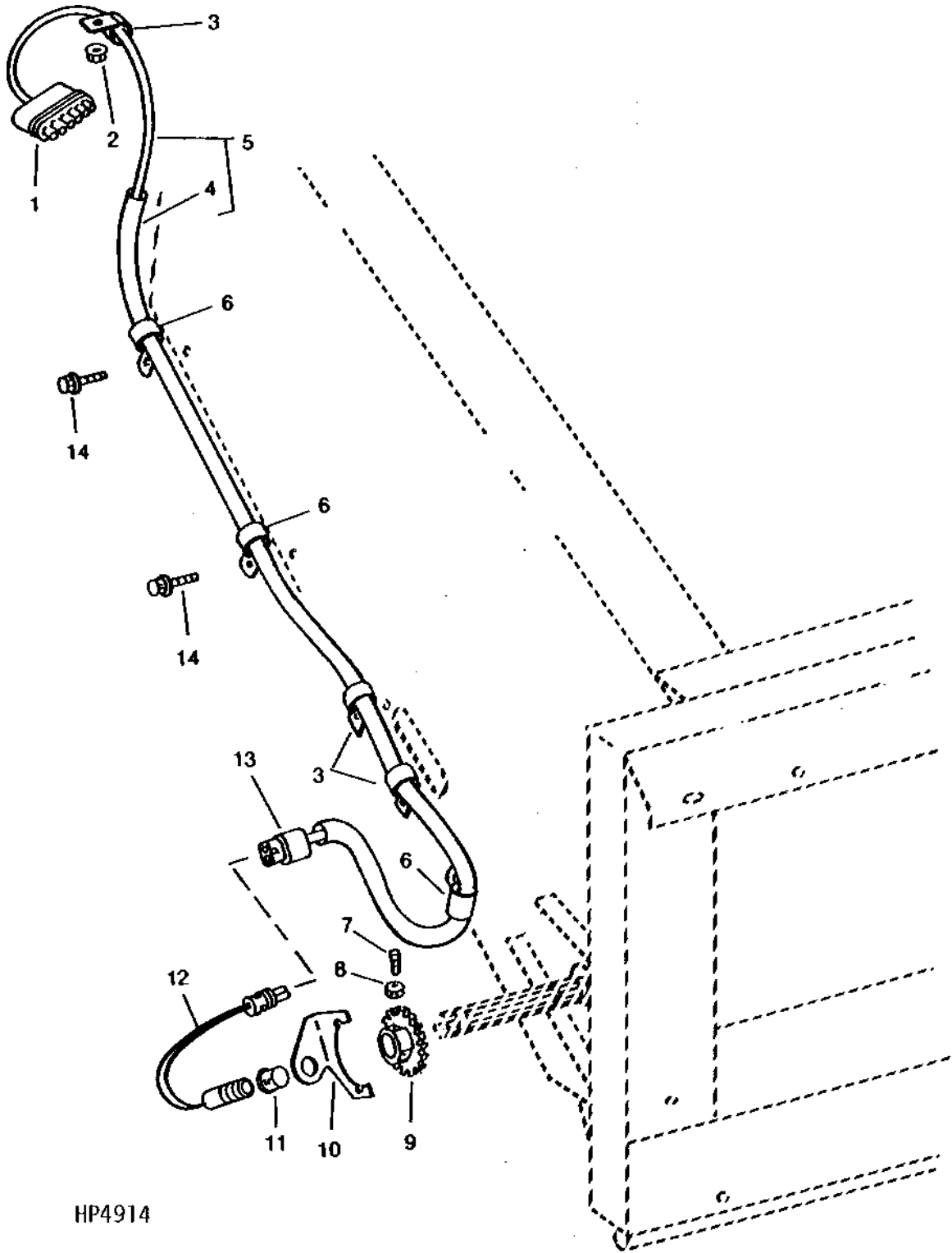
FIELD LIGHTS - CONTINUED

KEY	PART NO.	PART NAME	QTY	SERIAL NO.	REMARKS
1	AH145563	FLOODLAMP	2		(INCLUDES AT130104, T80393 AND (4) T80394)
2	H83790	CLAMP	2		
3	H83791	CLAMP	2		
4	19M7867	SCREW	2	M8 X 25	
5	R44302	TIE BAND	2		

1J11

ELECTRICAL

FEEDER HOUSE BACKSHAFT SPEED SENSOR HP4914 -UN-01JAN94



HP4914

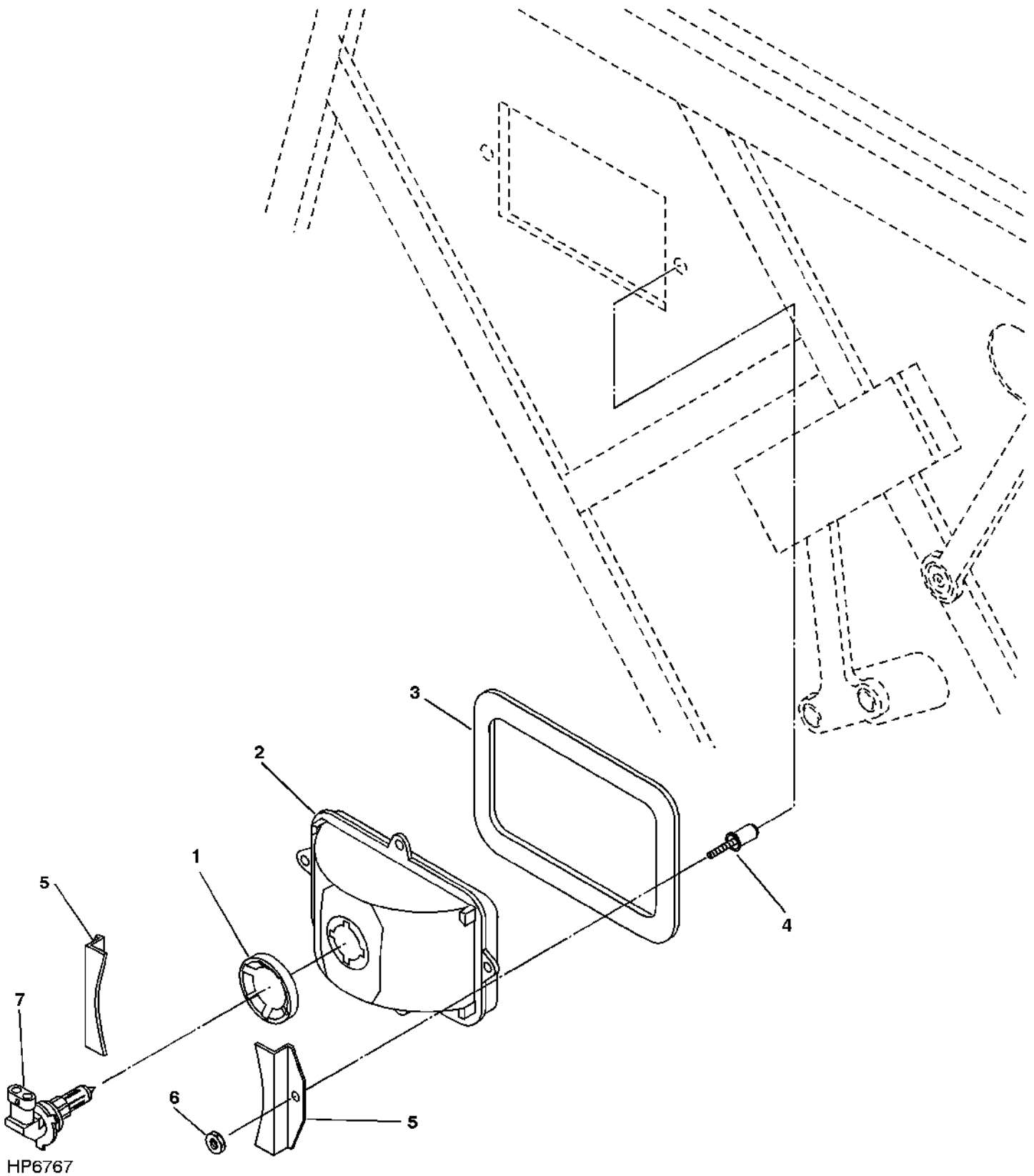
FEEDER HOUSE BACKSHAFT SPEED SENSOR - CONTINUED

KEY	PART NO.	PART NAME	QTY	SERIAL NO.	REMARKS
1	RE12366	CONNECTOR	1	(PKG OF 2)	
	R78051	SEAL	1	(PKG OF 5)	
	R78060	SOCKET CONTACT	1	(PKG OF 40)	
2	14M7299	FLANGE NUT	1	M12	
3	AH77279	CLIP	3		
4	H132800	HOSE	1		
5	AH134288	WIRING HARNESS	1		
6	AH89557	CLIP	3		
7	A50743	BOLT	2		
8	14M7272	NUT	2	M6	
9	H135772	WHEEL	1		
	H170634	WHEEL	1		USE WITH AH153341 (GEARBOX) AND AH149349 (DRIVE SPROCKET)
10	H135773	BRACKET	1		
11	H121110	CLIP	1		
12	AH116104	SENSOR	1		BACKSHAFT SPEED
13	R78053	PIN CONTACT CONNECTOR BODY	1	(PKG OF 3)	
	R78063	TERMINAL NIPPLE	1	(PKG OF 40)	
14	37M7083	SCREW	2	M8 X 12	

1J13

ELECTRICAL

SHOE LAMP INSTALLATION
HP6767 -UN-18AUG97



HP6767

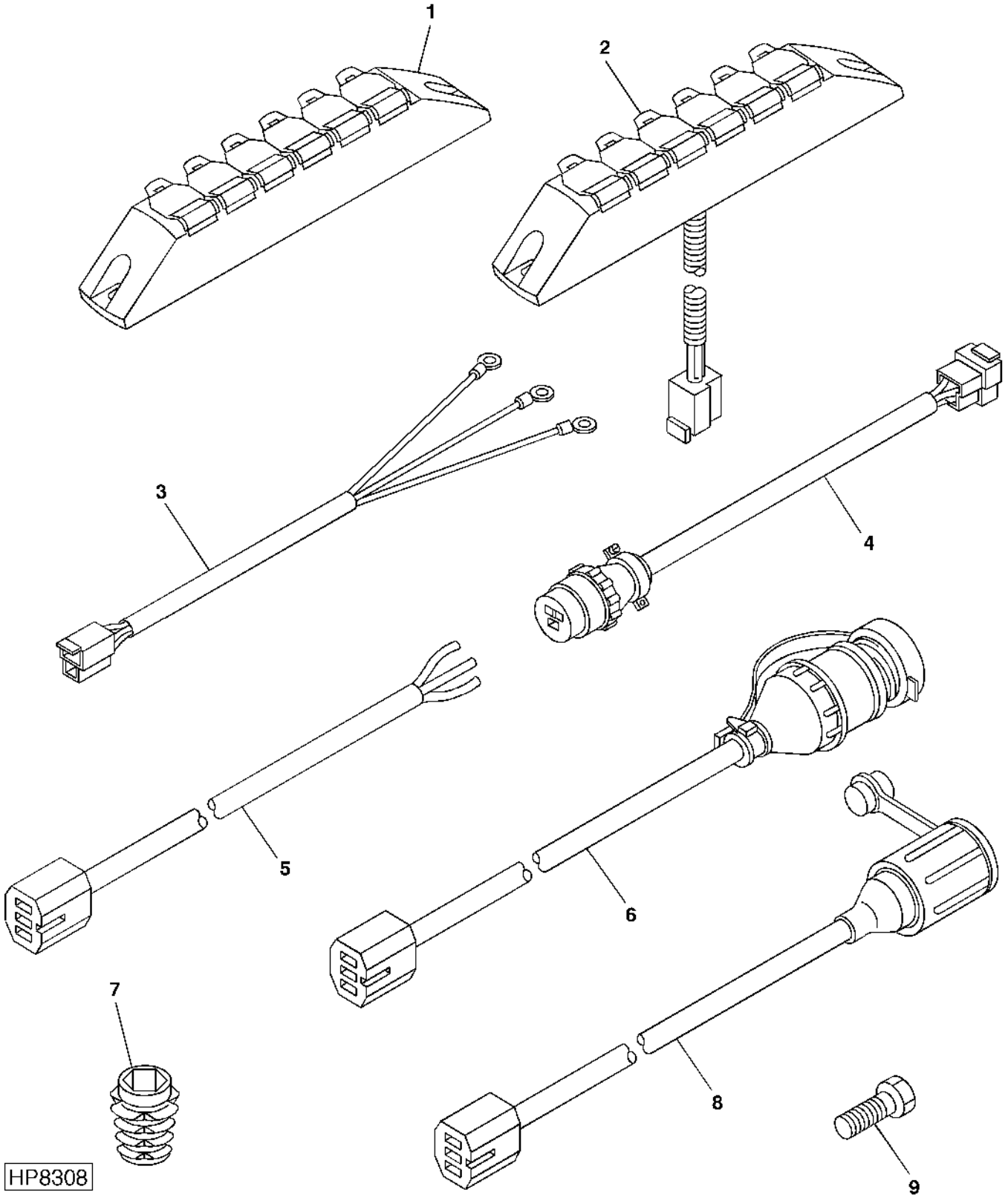
SHOE LAMP INSTALLATION - CONTINUED

KEY	PART NO.	PART NAME	QTY	SERIAL NO.	REMARKS
1	AH128328	FLOODLAMP	1		
2	H132900	RETAINER	1		
3	H132688	BRACKET	1		
4	19M7774	SCREW	1	M6 X 12	
5	H132687	RETAINER	1		
6	14M7303	FLANGE NUT	1	M6	
7	AH127718	BULB	1	(SUB AH162231)	
	AH162231	BULB	1		

1J15

ELECTRICAL

KIT-CONVENIENCE OUTLET
HP8308 -UN-10MAR99



HP8308

1J16

ELECTRICAL

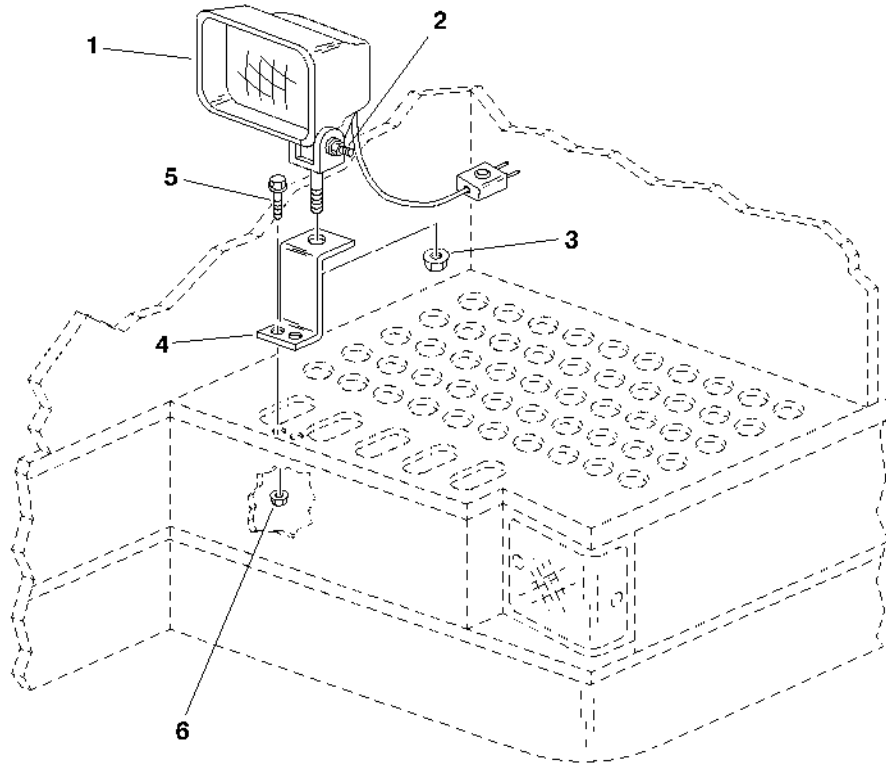
CONVENIENCE OUTLET - CONTINUED

KEY	PART NO.	PART NAME	QTY	SERIAL NO.	REMARKS
1	RE68495	STRIP	1		
2	AH152668	TERMINAL	1		
3	AH153311	WIRING HARNESS	1		
4	AH153133	WIRING HARNESS	1		
5	RE67013	ELECTRICAL PLUG	1		
6	RE67015	ADAPTER	1		
7	H159806	INSERT	1		
8	RE67014	ADAPTER	1		
9	21M7296	SCREW	2	M6 X 20	
..	BH81255	COMPLETE GOODS/SHIP. BUNDLE	1		CONVENIENCE OUTLET KIT

1J17

ELECTRICAL

REAR LAMP ASSEMBLY - R.H. SIDE
 HP7291 -UN-08JAN98



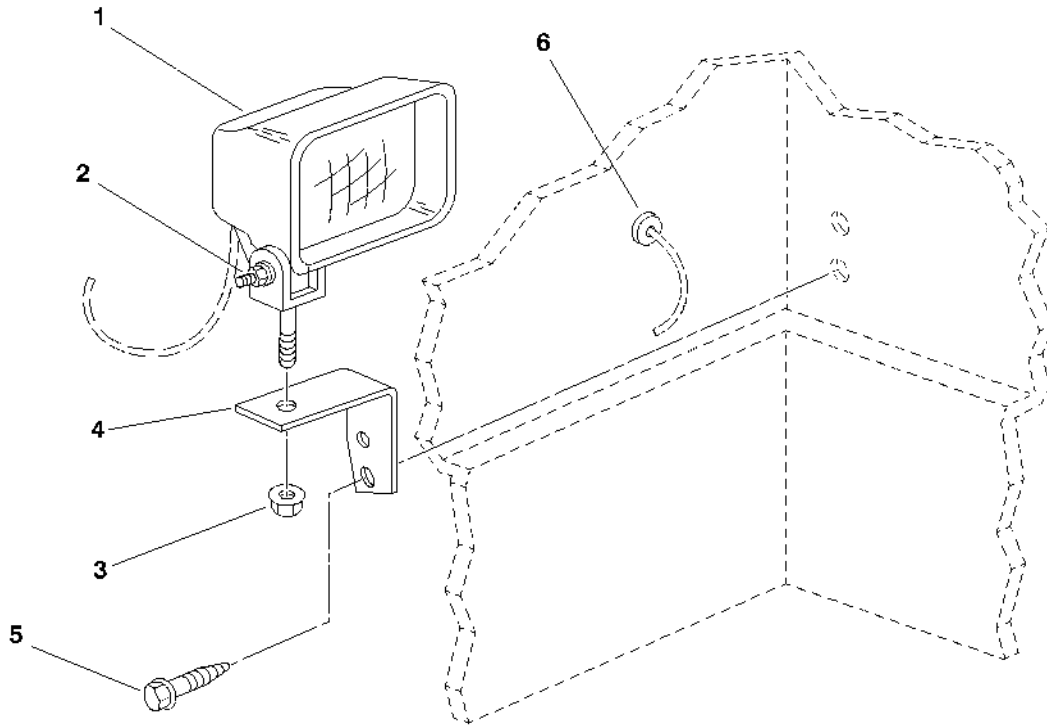
HP7291

KEY	PART NO.	PART NAME	QTY	SERIAL NO.	REMARKS
1	AH158038	FLOODLAMP	1		
	AH165877	BULB	1		
2	19M7298	CAP SCREW	1	M8 X 35	
	14M7298	FLANGE NUT	1	M8	
3	14M7298	FLANGE NUT	1	M8	
4	H162996	BRACKET	1		
5	19M7866	SCREW	2	M8 X 20	
6	14M7298	FLANGE NUT	2	M8	

1J18

ELECTRICAL

REAR LAMP ASSEMBLY - L.H. SIDE
 HP7290 -UN-08JAN98



HP7290

KEY	PART NO.	PART NAME	QTY	SERIAL NO.	REMARKS
1	AH158038	FLOODLAMP	1		
	AH165877	BULB	1		
2	19M7298	CAP SCREW	1	M8 X 35	
	14M7298	FLANGE NUT	1	M8	
3	14M7298	FLANGE NUT	1	M8	
4	H164759	BRACKET	1		
5	37M7058	SCREW	2	M8 X 20	
	19M7865	SCREW	2	M8 X 16	
6	H80306	GROMMET	1		
	H164757	PLUG	1		

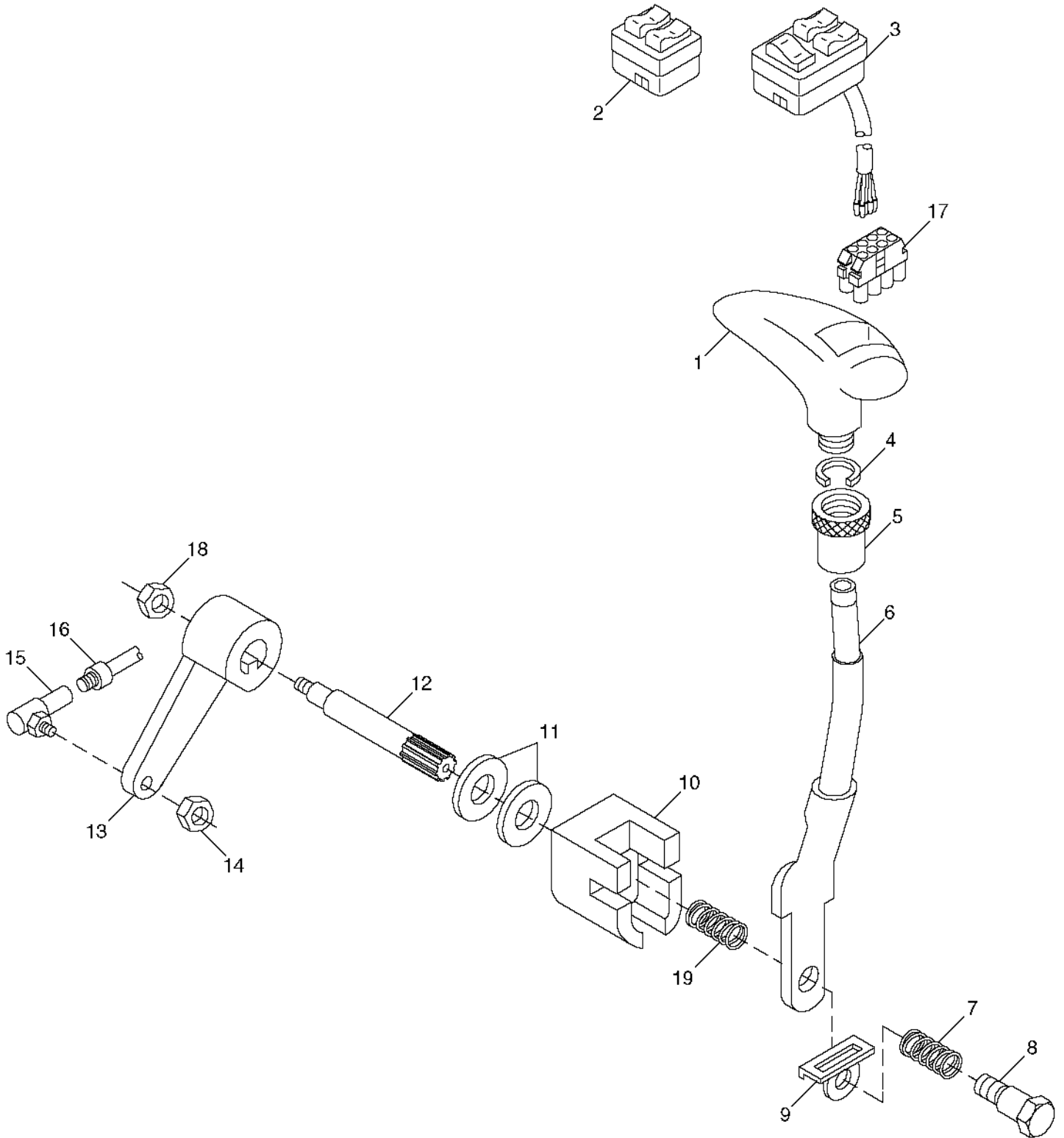
MEMORANDA

MEMORANDA

2B6

HYDROSTATIC DRIVE LEVER, CABLE AND SWITCH

HP8551 -UN-06MAY99



HP8551

2B7

POWER TRAIN

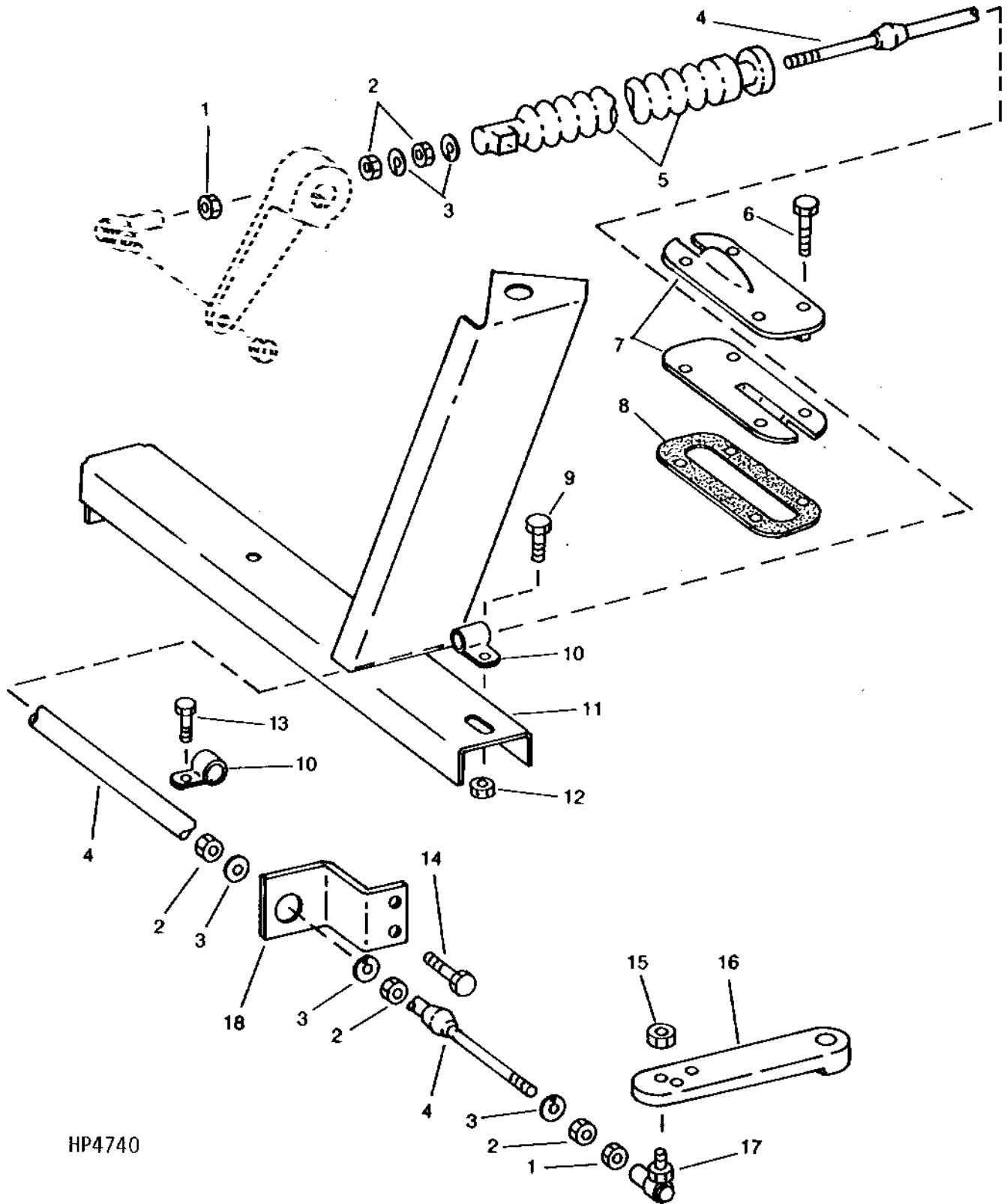
HYDROSTATIC DRIVE LEVER, CABLE AND SWITCH - CONTINUED

KEY	PART NO.	PART NAME	QTY	SERIAL NO.	REMARKS
1	AH115281	KNOB	1		W/O CONTOUR MASTER
	AH145061	KNOB	1		W/CONTOUR MASTER
2	AH140161	SWITCH	1		W/O CONTOUR MASTER
3	AH145060	SWITCH	1		W/CONTOUR MASTER
4	T12033	SNAP RING	1		
5	H129749	LOCK	1		
6	AH124940	LEVER	1		
7	122SE	SPRING	2		
8	H119007	SCREW	1		
9	H128557	RETAINER	1		
10	H128536	BASE	1		
11	H77739	WASHER	2		
12	H144184	SHAFT	1		
13	H168989	ARM	1		(SUB FOR H143891)
14	H168961	LOCK NUT	1		M6
15	AH115487	BALL JOINT	1		
16	AH135844	PUSH PULL CABLE	1		
17	H151161	CONNECTOR	1		CONNECTS TO HYDRO HANDLE SWITCHES (9-PIN)
18	14M7152	NUT	1		M10
19	H95368	SPRING	1		

2B8

HYDROSTATIC DRIVE CONTROL CABLE

HP4740 -UN-01JAN94



HP4740

2B9

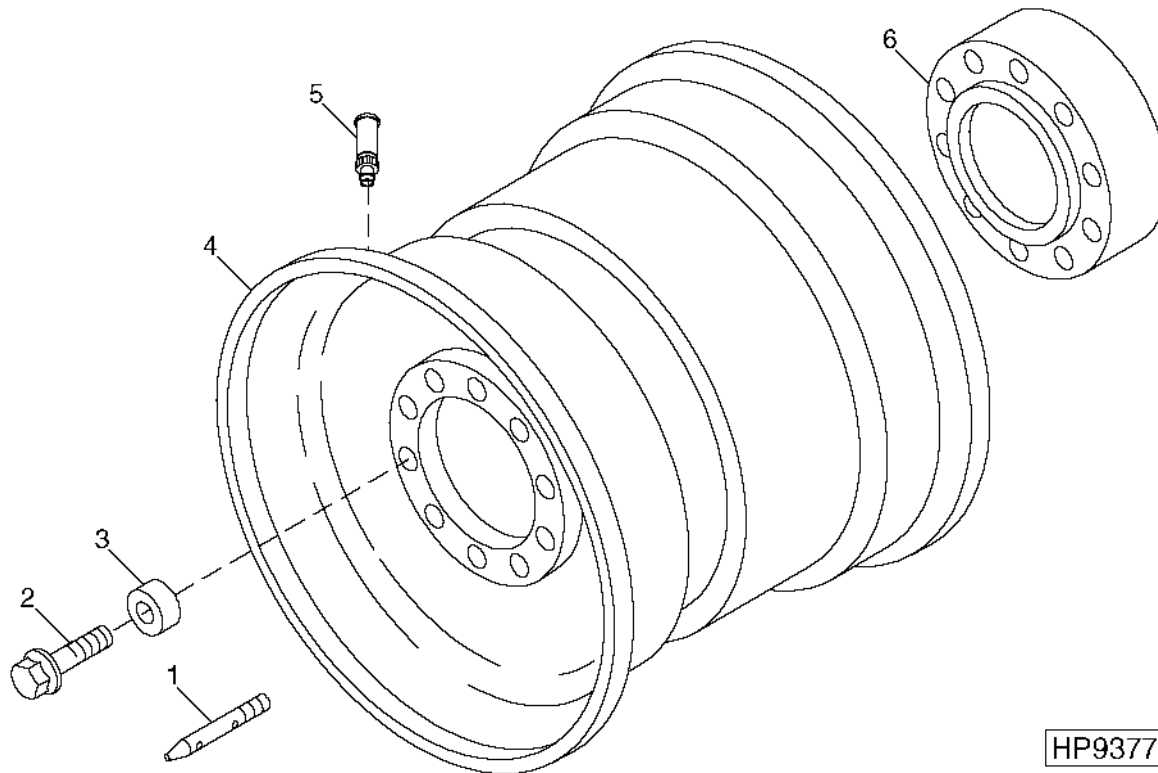
POWER TRAIN

HYDROSTATIC DRIVE CONTROL CABLE - CONTINUED

KEY	PART NO.	PART NAME	QTY	SERIAL NO.	REMARKS
1	14M7272	NUT	2	M6	
2	14M7260	NUT	5	M16	
3	24M7241	WASHER	5	17 X 34 X 4 MM	
4	AH138048	CABLE	1		
5	H143445	BOOT	1		
6	37M7131	SCREW	4	M6 X 20	
7	H126124	CLAMP	2		
8	H126123	GASKET	1		
9	19M7868	SCREW	1	M8 X 30	
10	AH80916	CLIP	3		
11	AH136362	SUPPORT	1		
12	14M7298	FLANGE NUT	1	M8	
13	37M7058	SCREW	1	M8 X 20	
14	19M7867	SCREW	2	M8 X 25	
15	14M7303	FLANGE NUT	1	M6	
16	H168988	LEVER	1	(SUB FOR H126583)	
17	AH106933	BALL JOINT	2		
18	H142044	SUPPORT	1		

2B10

DRIVE WHEELS
HP9377 -UN-01DEC99

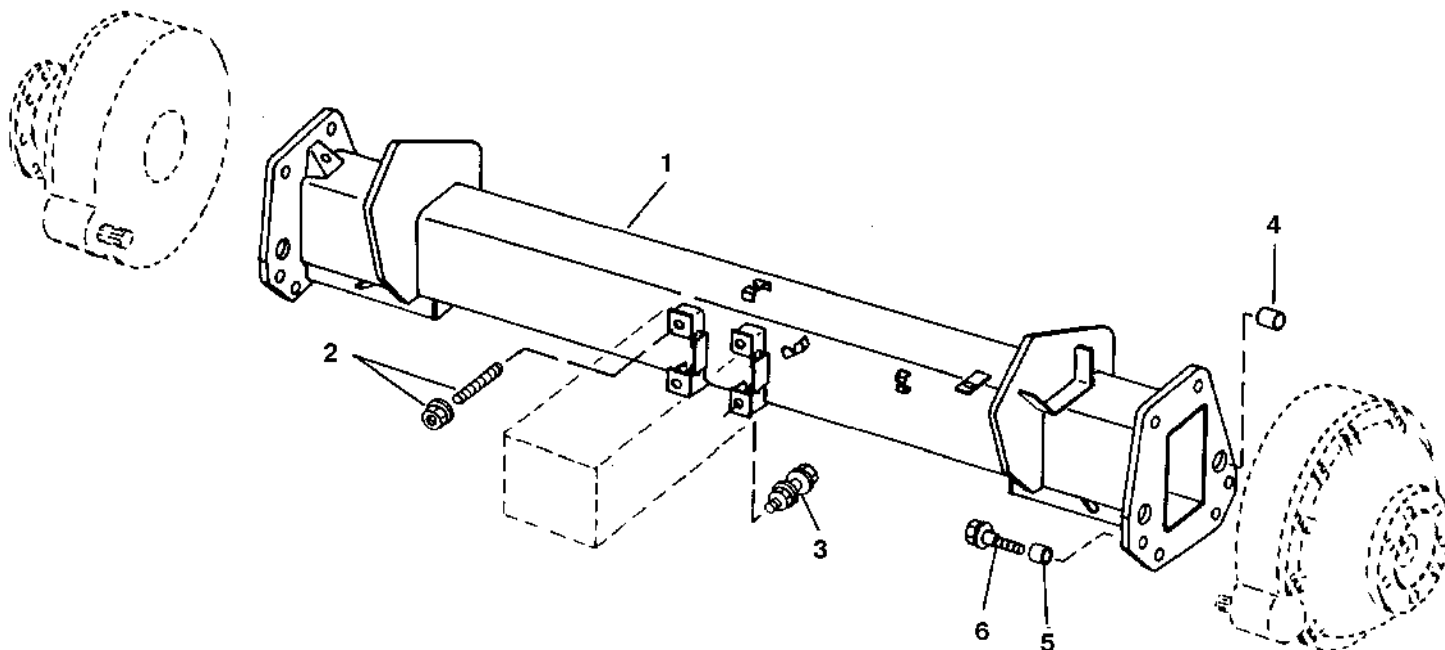


KEY	PART NO.	PART NAME	QTY	SERIAL NO.	REMARKS
1	H138607	STUD	1		USE FOR WHEEL MOUNTING ONLY
2	H134600	CAP SCREW	20		
	H138606	CAP SCREW	20		USE WITH H139320 ONLY
3	H134114	SPACER	20		
4	AH139779	WHEEL	2		(38-WH18A)
	AH141302	WHEEL	2		(32XDW21, 16MM INSET) (SUB AH166910)
	AH166910	WHEEL	2		(32XDW21, 12" BC)
	AH132116	WHEEL	2		(32-DH27)
	AH156626	WHEEL	2		(32DW 27) (SUB FOR AH133844)
5	AT25226	TIRE VALVE STEM	1		
6	H139320	BUSHING	2		(100MM) OPTIONAL
..	H134442	LABEL	2		"IMPORTANT" WHEEL BOLT TORQUE
..	H140709	LABEL	2		"IMPORTANT" 26 PSI (182 KPA) (24.5 X 32-10 PLY,OR 30.5L X 32-12 PLY TIRES)
..	H116640	LABEL	2		"IMPORTANT" 32 PSI (225 KPA) (24.5 X 32-12 PLY TIRES)
..	H108604	LABEL	2		"IMPORTANT" 20 PSI (140 KPA)(30.5L X 32-10 OR 35.5L X 32-12 PLY TIRES)
..	H140710	LABEL	2		"IMPORTANT" 34 PSI (235 KPA)(30.5L X 32-16 PLY TIRES)
..	H140750	LABEL	1		"IMPORTANT" 34 PSI (235 KPA)
..	H140711	LABEL	2		"IMPORTANT" 36 PSI (248 KPA) (20.8 X 38 - 12 PLY TIRES)
..	H116639	DECAL	2	-680110	"IMPORTANT" 28 PSI (195 KPA) (30.5L X 32-14 PLY TIRES)
..	H139603	LABEL	2		"IMPORTANT" WHEEL BOLT TORQUE W/ 100MM SPACER
..	H83135	TUBE	AR		FOR USE WITH 30.5L X 32 TIRE
..	H111541	LABEL	2	680111-	
..	BH71912	COMPLETE GOODS/SHIP. BUNDLE	1		WHEEL HUB SPACER

2B11

POWER TRAIN

**FRONT AXLE
(RING AND PINION FINAL DRIVE)**
HP6818 -UN-18AUG97



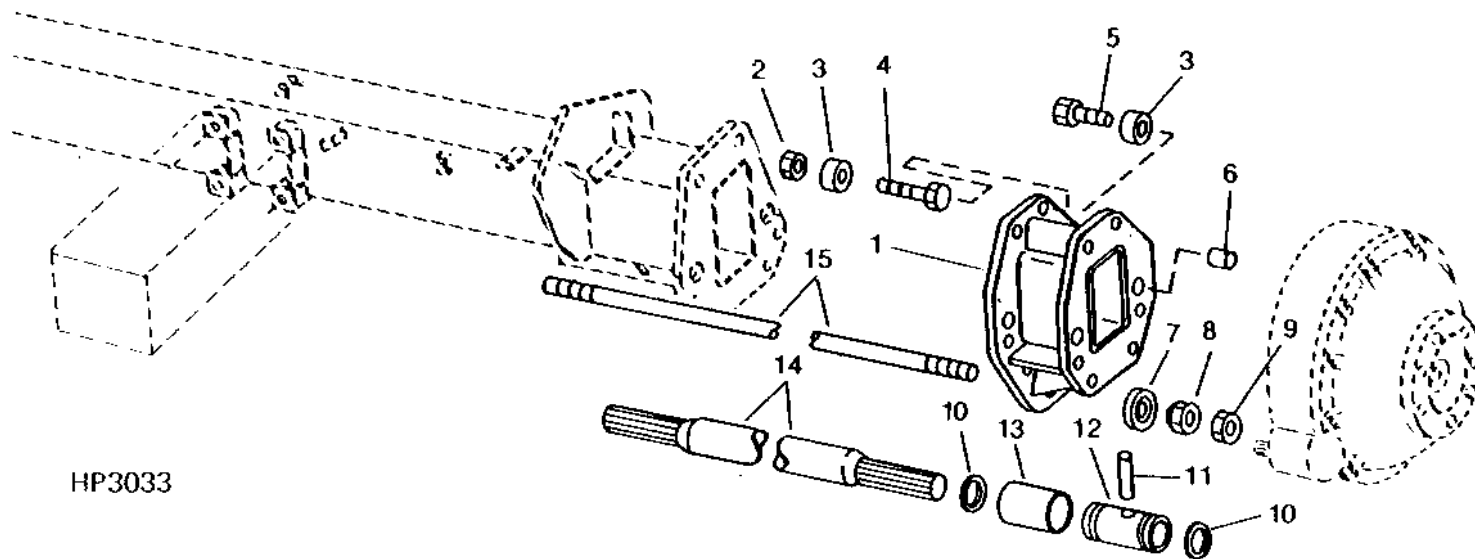
HP6818

KEY	PART NO.	PART NAME	QTY	SERIAL NO.	REMARKS
1	FRONT AXLE	1		ORDER H145553 AND H145554
2	42M7028	STUD	2		M16 X 75
	14M7291	FLANGE NUT	2		M16 FLANGE
3	H107504	BOLT	2		
	14M7291	FLANGE NUT	2		M16 FLANGE
4	H87691	BUSHING	4		
5	H156127	SLEEVE	12		HARDENED
	H163561	SPACER	1		
6	19M7892	CAP SCREW	12		M20 X 80
	19M8287	CAP SCREW	12		M24 X 80, USE WITH SLEEVE H163561

2B12

**AXLE SPACERS
(RING AND PINION FINAL DRIVE)**

HP3033 -UN-01JAN94



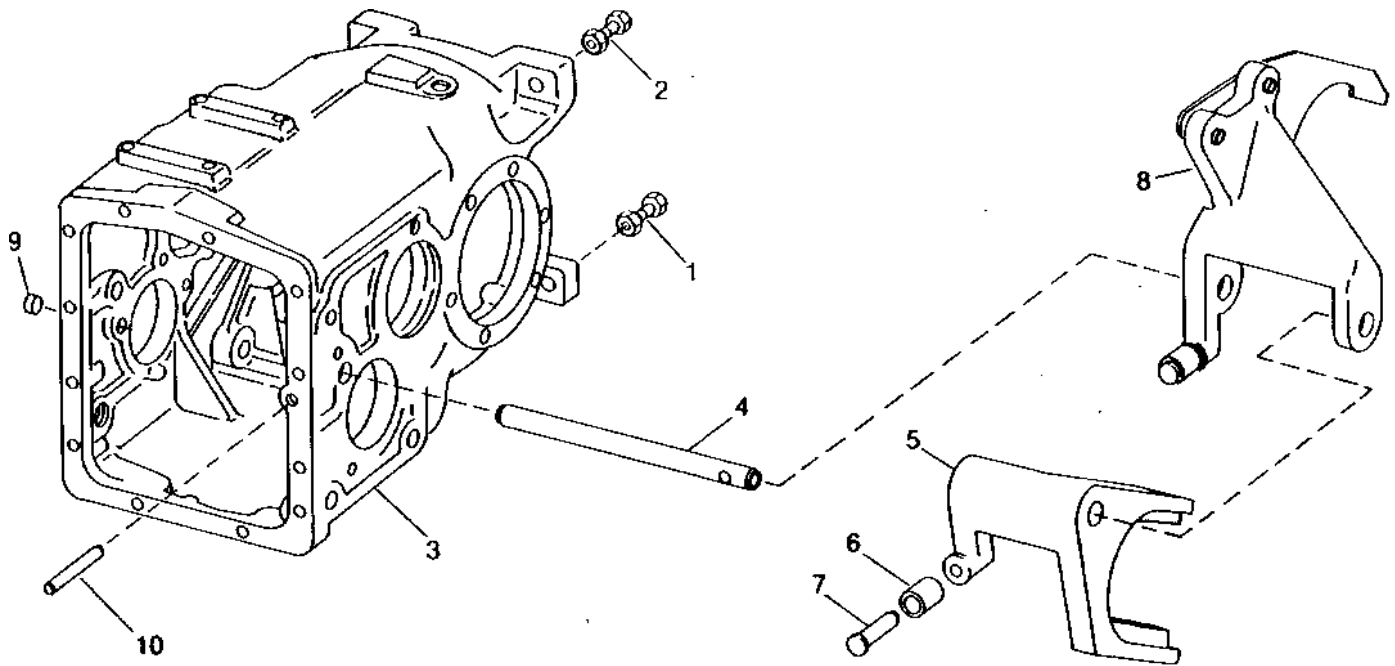
KEY	PART NO.	PART NAME	QTY	SERIAL NO.	REMARKS
1	AH142158	EXTENSION	1	(SUB H168744)	12" (300MM)
	AH142139	EXTENSION	1	(SUB H168166)	16" (400MM)
	AH125589	SPACER	1	(SUB H168745)	18" (454 MM)
	H168744	SPACER	1		12"(300 MM)
	H168166	SPACER	1		16"(400 MM)
2	H168745	SPACER	1		18"(454 MM)
	14M7300	FLANGE NUT	12		M20
	H156127	SLEEVE	24		HARDENED
	19M7963	CAP SCREW	12		M20 X 100
	19M8147	CAP SCREW	12		M20 X 90
3	H87691	BUSHING	8		
	H130287	SPACER	2		
8	H130288	NUT	2		
	14M7431	NUT	2		M30
9	H133229	SNAP RING	4		
	H131754	PIN	2		
12	H133230	SPLINED COUPLING	2	-24JA99	
	H165510	SPLINED COUPLING	2	25JA99-	
	H134444	SLEEVE	2		
14	H133244	DRIVE SHAFT	1	675197-24JA99	300 MM
	H165662	SHAFT	1	25JA99-	300 MM
	H133246	DRIVE SHAFT	1	675197-24JA99	400 MM
	H165663	SHAFT	1	25JA99-	400 MM
	H133248	DRIVE SHAFT	1	-24JA99	454 MM, (USE WITH AH125589)
	H165664	SHAFT	1	25JA99-	454 MM
	H133635	STUD	1		
..	BH81704	COMPLETE GOODS/SHIP. BUNDLE	2		(400 MM) AXLE SPACER
..	BH81705	COMPLETE GOODS/SHIP. BUNDLE	2		(300 MM) AXLE SPACER
..	BH81506	COMPLETE GOODS/SHIP. BUNDLE	2		(454 MM) AXLE SPACER

2B13

POWER TRAIN

TRANSMISSION AND DIFFERENTIAL HOUSING AND SHIFTER FORKS

HP3103 -UN-01JAN94



HP3103

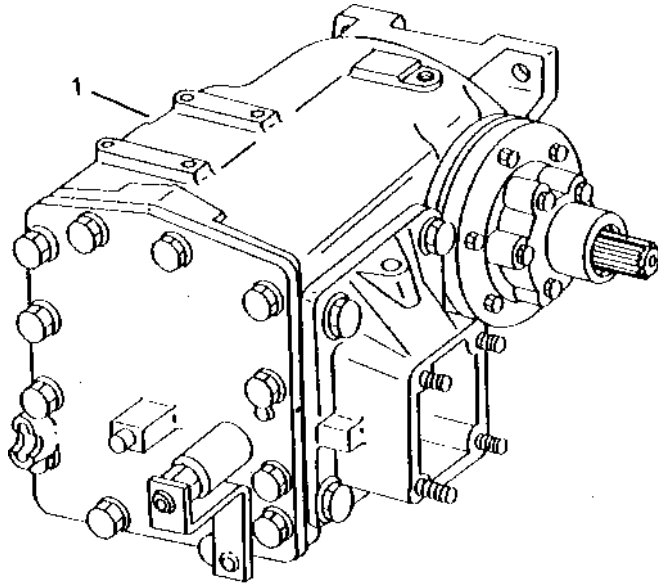
KEY	PART NO.	PART NAME	QTY	SERIAL NO.	REMARKS
1	H107504	BOLT	2	M16 X 70	
2	42M7028	STUD	2		
	14M7291	FLANGE NUT	2	M16	
3	HOUSING	1	(ORDER AH140410)	
4	H146640	RAIL	1		
5	H135112	SHIFTER	1		
6	R26207	ROLLER	2		
7	H76152	PIN	2		
8	AH122575	SHIFTER	1		
9	N102039	CAP	1		
10	T76836	PIN	1		
	14M7291	FLANGE NUT	2	M16	
..	AH140410	KIT	1	TRANSMISSION REPAIR KIT	
..	TY9371	ADHESIVE	1	6ML (0.2OZ) TUBE, HIGH STRENGTH	
..	TY6304	SEALANT	1		

2B14

POWER TRAIN

TRANSMISSION

HP5722 -UN-01JAN94



HP5722

KEY	PART NO.	PART NAME	QTY	SERIAL NO.	REMARKS
1	AH158660	TRANSMISSION	1		(FOR RING AND PINION FINAL DRIVE ONLY)
	AH158662	TRANSMISSION	1		(EXPORT ONLY - AUSTRALIA)

NOTE: DOES NOT INCLUDE BRAKES, BREAKSHAFTS, BREAKLINES, SPEED PICKUP AND BREATHER

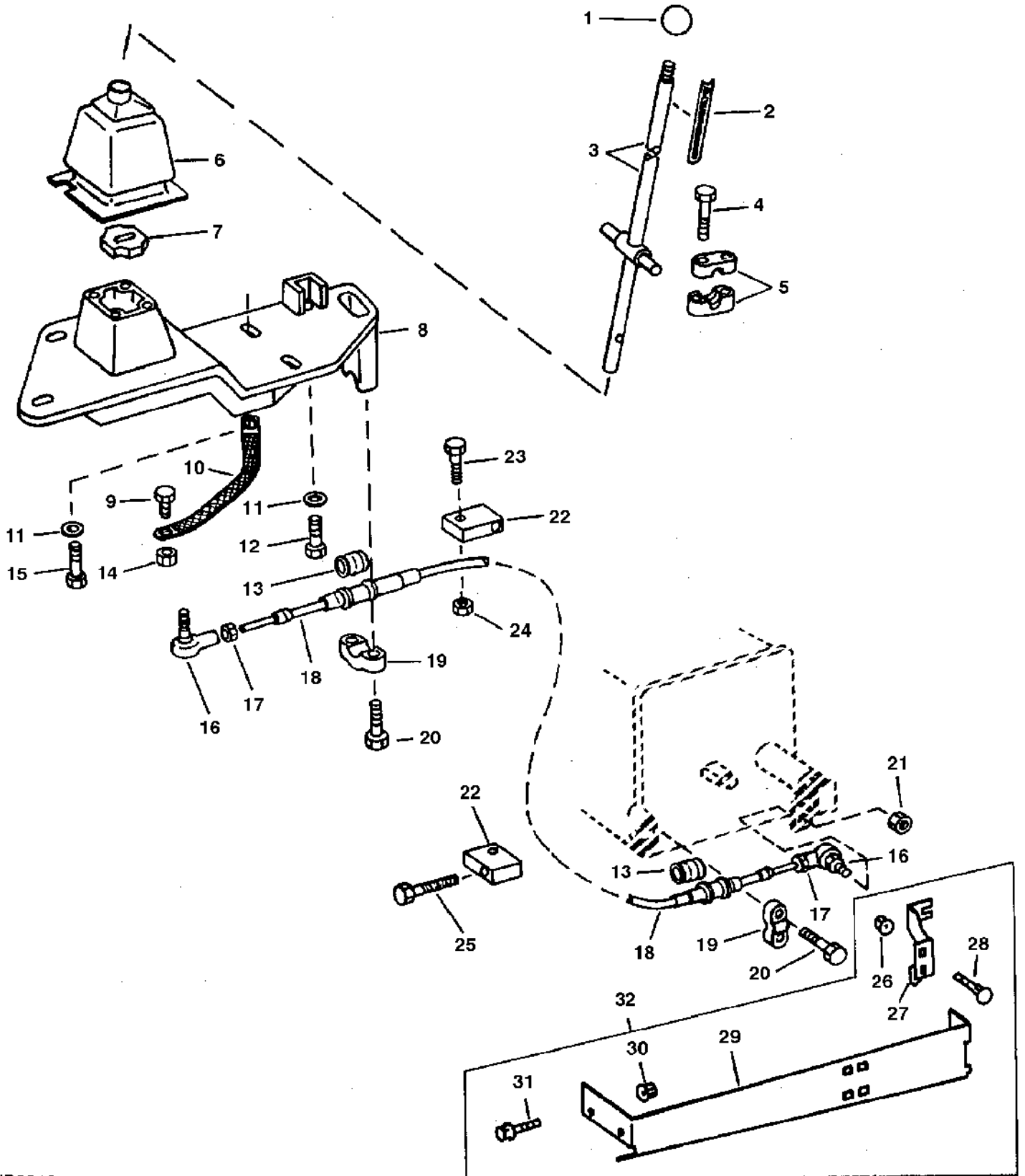
MEMORANDA

2B15

POWER TRAIN

GEARSHIFT LEVER AND LINKAGE

HP6819 -UN-18AUG97



HP6819

2B16

POWER TRAIN

GEARSHIFT LEVER AND LINKAGE - CONTINUED

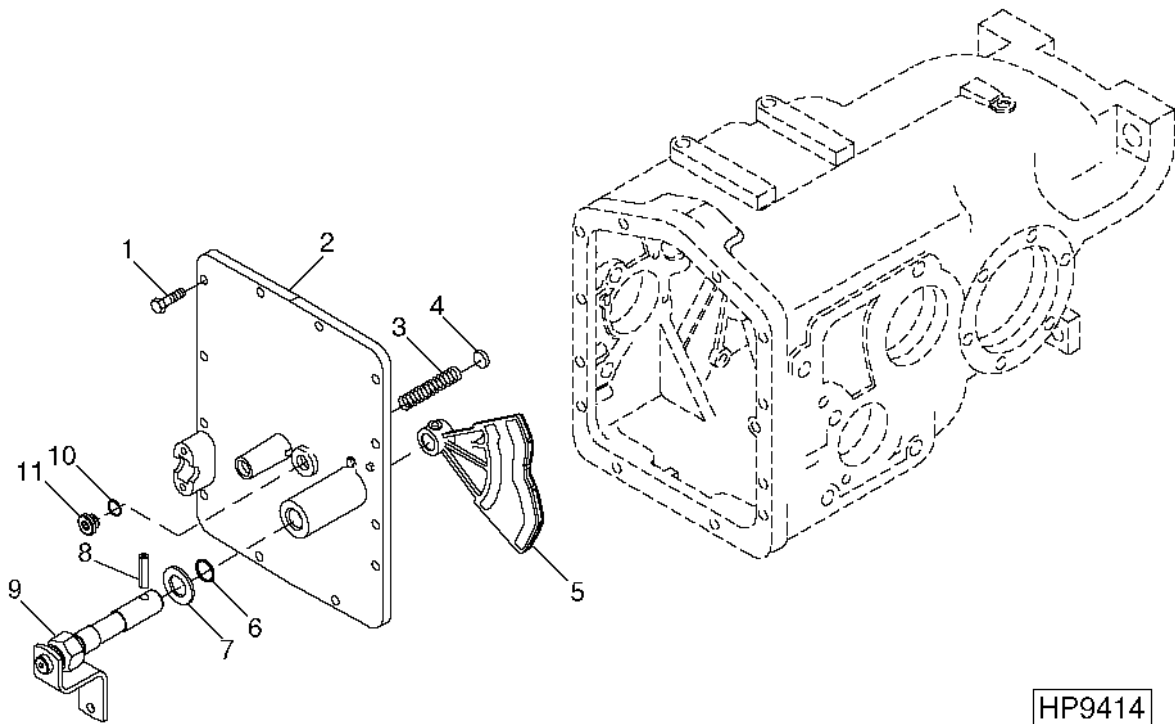
KEY	PART NO.	PART NAME	QTY	SERIAL NO.	REMARKS
1	H125518	KNOB	1		USE TY9373 OR TY9478 OR TY9371 TO SECURE
2	H149068	LABEL	1		"BRAKE"
3	AH138707	ROD	1		INCLUDES DECAL ON ROD
4	19M8318	SCREW	4		M8 X 45, ORDER AH125785
5	H131040	BEARING	4		
6	H131041	BOOT	1		
7	H133660	SEAL	1		
8	H133636	HOUSING	1		
9	19M7790	SCREW	1		M12 X 35
10	AH125010	GROUND CABLE	1		
11	24H1296	WASHER	5		11/32" X 1-3/8" X 0.134"
12	19M8319	SCREW	1		M8 X 50
13	H133662	ISOLATOR	2		
14	14M7299	FLANGE NUT	1		M12
15	19M7867	SCREW	4		M8 X 25
16	AH125958	BALL JOINT	2		
17	14M7274	NUT	2		M10
18	AH128357	CABLE	1		
19	H133047	CLAMP	2		
20	19M8291	SCREW	4		M8 X 35
21	14M7296	FLANGE NUT	1		M10
22	AH77724	CLIP	3		
23	19M7867	SCREW	1		
24	14M7298	FLANGE NUT	1		
25	37M7058	SCREW	3		
26	14M7400	LOCK NUT	2		
27	SUPPORT	1		(SUB AH138329)
28	03M7190	BOLT	2		
29	GUARD	1		(SUB AH138329)
30	14M7401	LOCK NUT	1		
31	19M7789	SCREW	1		M12 X 30
32	AH138329	KIT	1		CABLE GUARD KIT
..	TY9370	ADHESIVE	1		6 OZ. MEDIUM STRENGTH (CANADA NUMBER TY9477)
..	TY9373	GASKET	1		
..	TY9478	ADHESIVE	1		
..	TY9371	ADHESIVE	1		6 ML HIGH STRENGTH

2B17

POWER TRAIN

TRANSMISSION AND DIFFERENTIAL HOUSING COVER, AND SHIFTER CAM

HP9414 -UN-06JAN00



HP9414

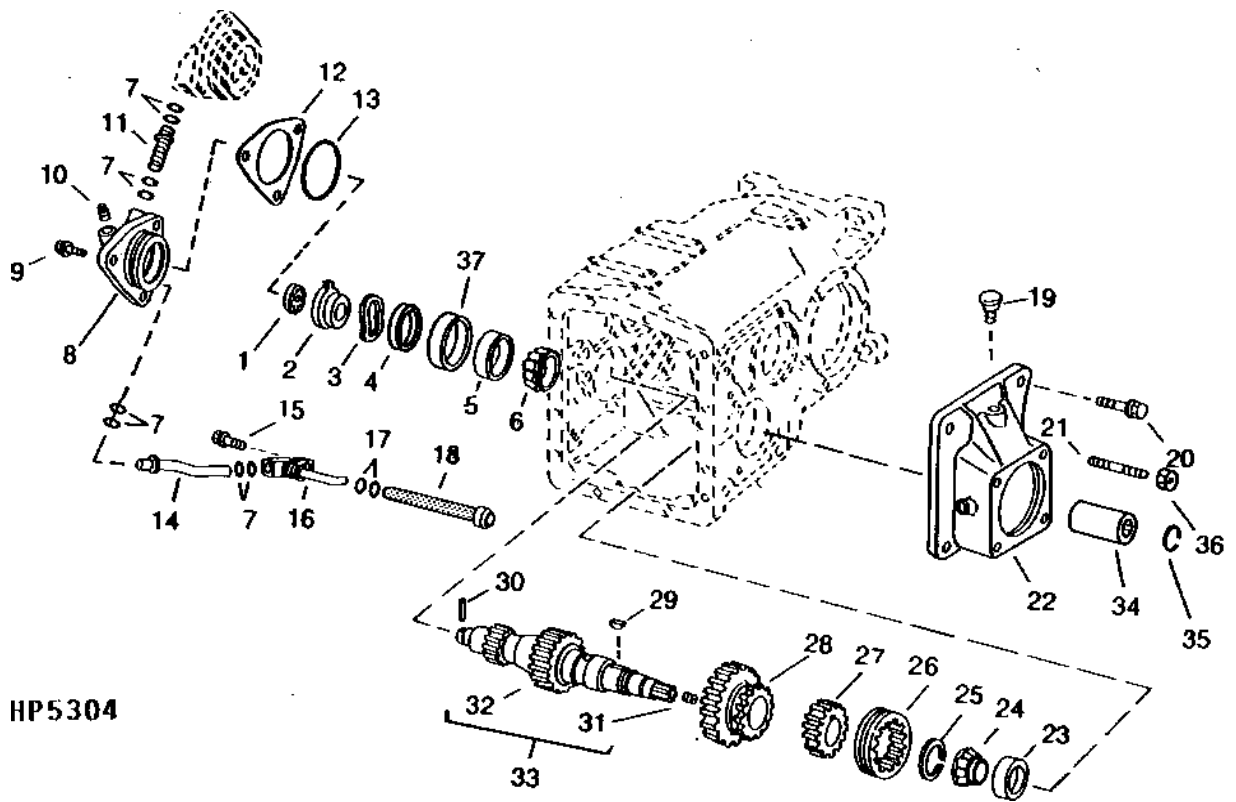
KEY	PART NO.	PART NAME	QTY	SERIAL NO.	REMARKS
1	19M7786	SCREW	12	M10 X 30	
2	N199920	COVER	1		
3	T27888	SPRING	1		
4	R1818R	BALL	1	19.050 MM (3/4")	
5	H136145	CAM	1	(SUB H167375)	
	H167375	CAM	1		
6	R71144	O-RING	1		
7	H75700	WASHER	1		
8	34M7053	SPRING PIN	1	10 X 40 MM	
9	AH128267	ARM	1		
10	R26375	O-RING	1	16.358 X 2.210 MM (0.644" X 0.087")	
11	R33138	FITTING	1		

MEMORANDA

2B18

TRANSMISSION INPUT SHAFT, GEARS, LUBE PUMP AND BEARINGS

HP5304 -UN-01JAN94



HP5304

2B19

POWER TRAIN

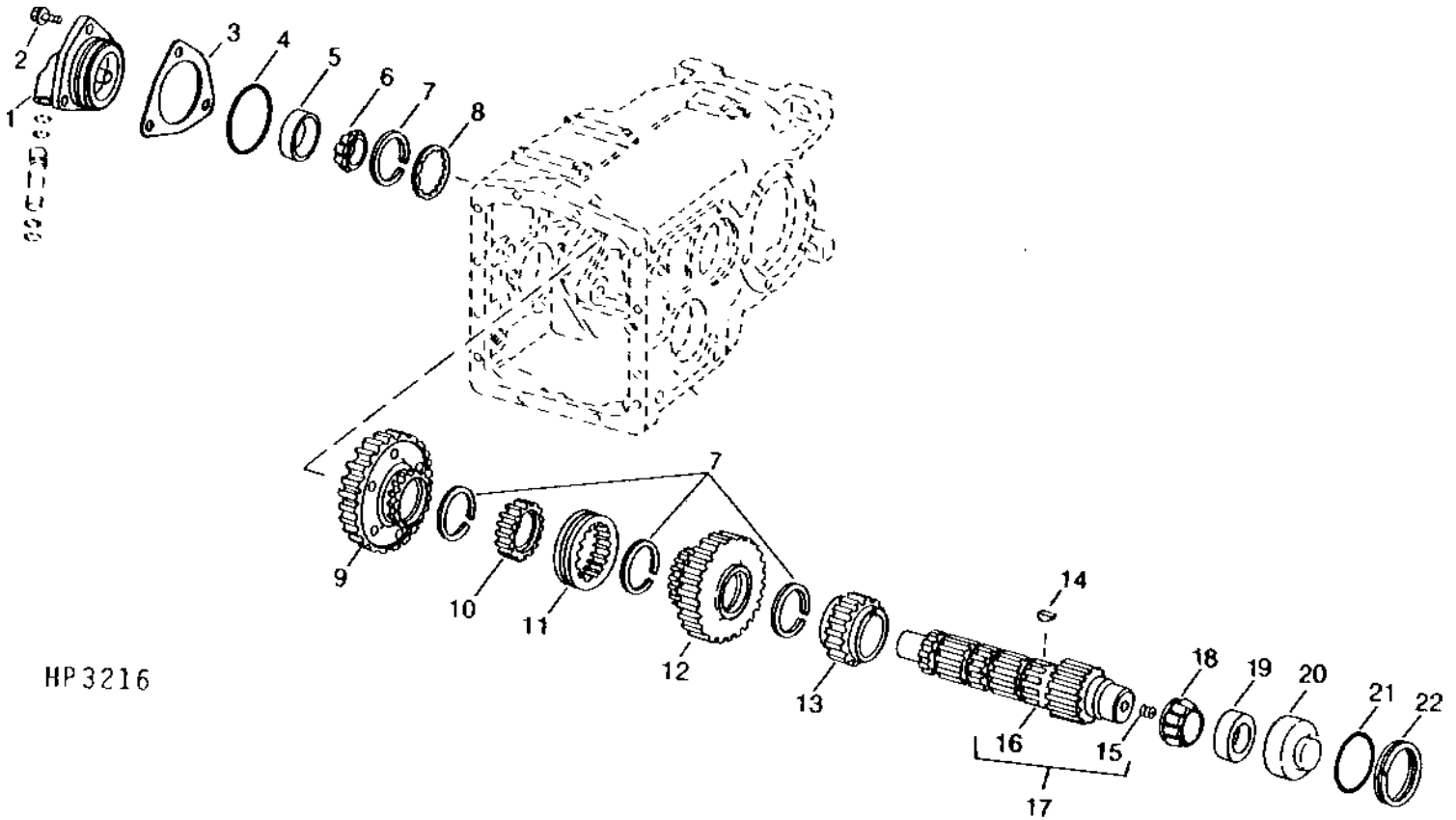
TRANSMISSION INPUT SHAFT, GEARS, LUBE PUMP AND BEARINGS - CONTINUED

KEY	PART NO.	PART NAME	QTY	SERIAL NO.	REMARKS
1	AH128528	ROTOR	1		
2	H82234	PLATE	1		LUBE PUMP PORT
3	H82232	WASHER	1		54.610 X 63.119 X 0.889 MM (2.150" X 2.485" X 0.035") (WAVE TYPE)
4	H82233	BUSHING	1		
5	JD8257	BEARING CUP	1		
6	AR94761	BEARING CONE	1		
7	R394R	O-RING	8		12.370 X 2.616 MM (0.487" X 0.103")
8	H142030	HOUSING	1		SUB AH128528, H82234, H82232, H82233, JD8257, H142031, H142030 AND TY6304
9	19M7786	SCREW	3		
10	15H638	PIPE PLUG	1		1/8"
11	H131296	OIL TUBE	1		
12	H132892	SHIM	AR		0.076 (.003) THICK
	H132893	SHIM	AR		0.127 (.005") THICK
	H132894	SHIM	AR		0.508 (.02") THICK
13	T43514	GASKET	1		PLASTIC GASKET
14	H131297	OIL TUBE	1		HYDRO MOTOR MOUNTING BRACKET
15	19M8162	CAP SCREW	1		M10 X 40
16	AH125228	FITTING	1		
17	R495R	O-RING	2		
18	AH121580	SCREEN	1		
19	AH20868	BREATHER	1		
20	19M7844	SCREW	4		M16 X 45
21	42M7029	STUD	4		
22	H133165	BRACKET	1		
23	JD8237	BEARING CUP	1		
24	JD10182	BEARING CONE	1		
25	P43969	SNAP RING	1		
26	H129564	SHIFT COLLAR	1		
27	H129565	SHIFT COLLAR	1		THIRD GEAR
28	H135943	GEAR	1		
29	26M4228	SHAFT KEY	1		8 X 28 MM
30	H75358	DOWEL PIN	1		
31	H110539	ORIFICE	1		
32	PINION SHAFT	1		
33	AH131861	PINION SHAFT	1		
	AH137350	PINION SHAFT	1		EXPORT ONLY - AUSTRALIA
34	H129525	SPLINED COUPLING	1		
35	M41029	SNAP RING	2		
36	14M7299	FLANGE NUT	4		M12
37	H142031	SLEEVE	1		ALSO USED FOR SUB ON AH131699
..	TY9371	ADHESIVE	1		HIGH STRENGTH 6 ML (0.2 OZ) TUBE
..	TY6304	SEALANT	1		

2B20

TRANSMISSION PINION SHAFT, GEARS AND BEARINGS

HP3216 -UN-01JAN94



HP3216

2B21

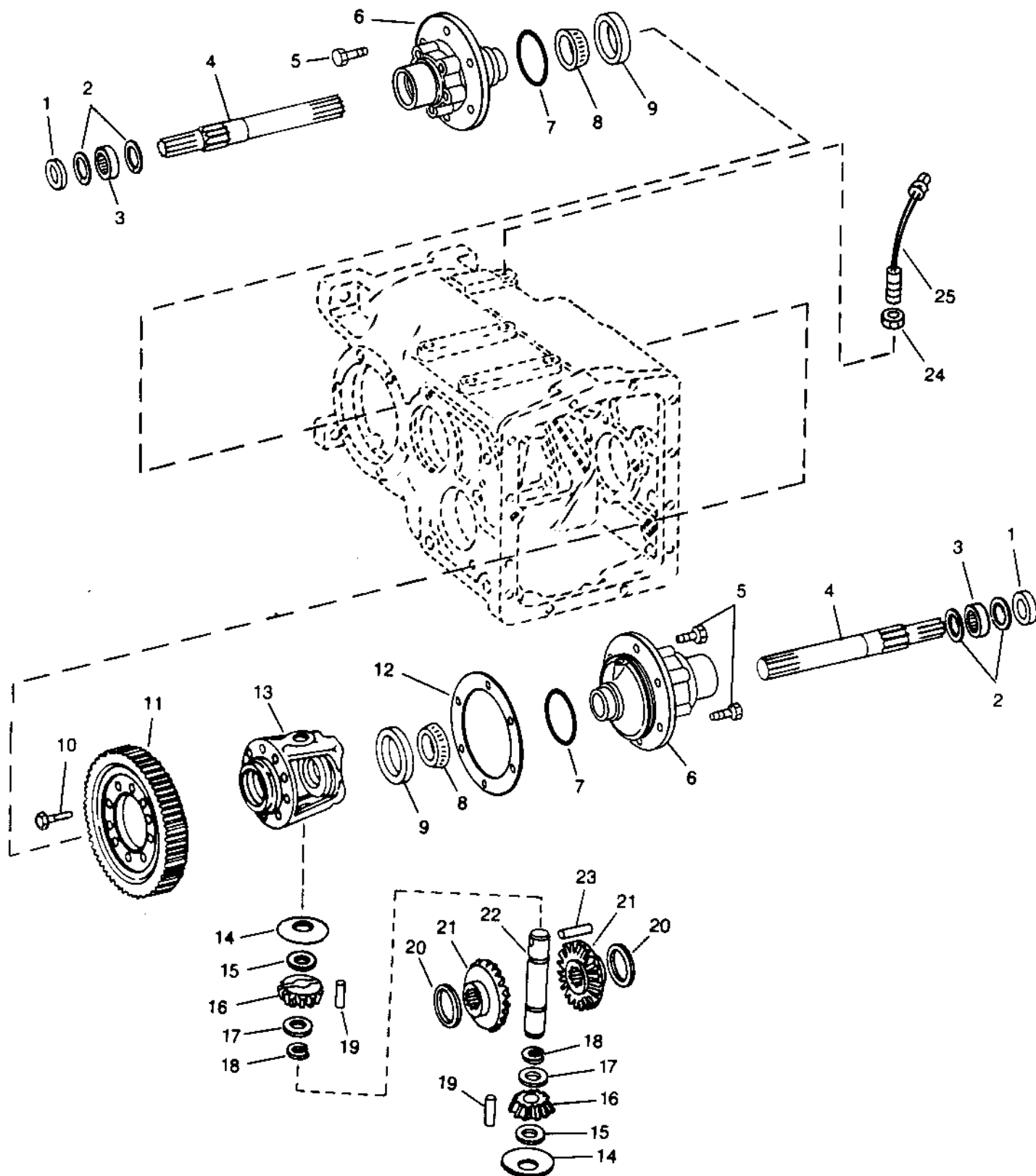
TRANSMISSION PINION SHAFT, GEARS AND BEARINGS - CONTINUED

KEY	PART NO.	PART NAME	QTY	SERIAL NO.	REMARKS
1	H145173	PLANET PINION CARRIER	1	-675252	
	CE18201	PLANET PINION CARRIER	1	675253-	
2	19M7786	SCREW	3		M10 X 30
3	H132892	SHIM	AR		0.076MM (.003") THICK
	H132893	SHIM	AR		0.127 (.005") THICK
	H132894	SHIM	AR		0.508 (.02") THICK
4	U10776	O-RING	1		82.144 X 3.531 MM (3-15/64" X 0.139")
5	JD8267	BEARING CUP	1		
6	JD8979	BEARING	1		
7	R26265	SNAP RING	4		
8	H103167	WASHER	1		
9	H135944	GEAR	1		(43 TOOTH), FOR FIRST GEAR
10	H133010	SHIFT COLLAR	1		(DRIVE)
11	H129564	SHIFT COLLAR	1		
12	H135942	GEAR	1		(32 TOOTH), FOR 2ND GEAR
	H143408	GEAR	1		EXPORT ONLY- AUSTRALIA (29 TOOTH), FOR 2ND GEAR
13	H132618	GEAR	1		(24 TOOTH), FOR 3RD GEAR
14	26M4228	SHAFT KEY	1		8 X 28 MM
15	H110539	ORIFICE	1		
16	PINION	1		
17	AH131862	PINION SHAFT	1		(12 TOOTH)
18	JD8182	BEARING CONE	1		
19	JD8223	BEARING CUP	1		
20	H144385	BEARING CAP	1		
21	U10746	O-RING	1		107.544 X 3.531 MM (4-15/64" X 0.139")
22	H129558	SNAP RING	1		

2B22

DIFFERENTIAL GEARS AND SHAFTS

HP7448 -UN-20FEB98



HP7448

2B23

POWER TRAIN

DIFFERENTIAL GEARS AND SHAFTS - CONTINUED

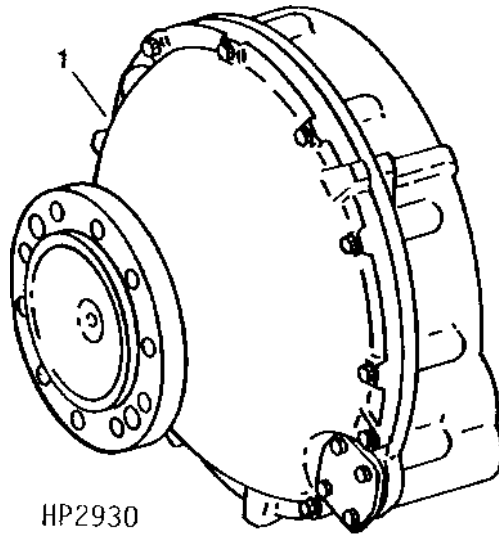
KEY	PART NO.	PART NAME	QTY	SERIAL NO.	REMARKS
1	AT40603	SEAL	2		
2	C3936E	SNAP RING	4		
3	JD7502	ROLLER BEARING	2		
4	H135173	SHAFT	2		(SUB H165508) (RING AND PINION) HEAVY DUTY
	H165508	SHAFT	2		(RING AND PINION) STD.
5	19M7844	SCREW	12		M16 X 45
6	H130407	CRADLE	2		
7	R27796	O-RING	2		
8	JD8147	BEARING CONE	2		
9	JD7425	BEARING CUP	2		
10	19M7985	SCREW	14		M12 X 35
11	H132554	GEAR	1		(62 TOOTH)
12	H126572	SHIM	AR		0.076MM (.003") THICK
	H126573	SHIM	AR		0.127MM (.005") THICK
	H126575	SHIM	AR		0.508 (.02") THICK
13	N197422	HOUSING	1		
14	H133202	THRUST WASHER	2		
15	R70112	THRUST WASHER	2		31.480 X 38 X 2.500 MM (1.239" X 1.496" X 0.098")
16	Z12964	PINION	1		
17	R70113	THRUST WASHER	2		
18	R70114	SNAP RING	2		
19	R70115	NEEDLE ROLLER	52		
20	H164794	WASHER	2		
21	H92308	GEAR	2		
22	H146646	PIN	1		
23	34M7073	SPRING PIN	1		
24	H104418	NUT	1		
25	AH116104	SENSOR	1		GROUND SPEED

2B24

POWER TRAIN

FINAL DRIVE (RING AND PINION)

HP2930 -UN-01JAN94



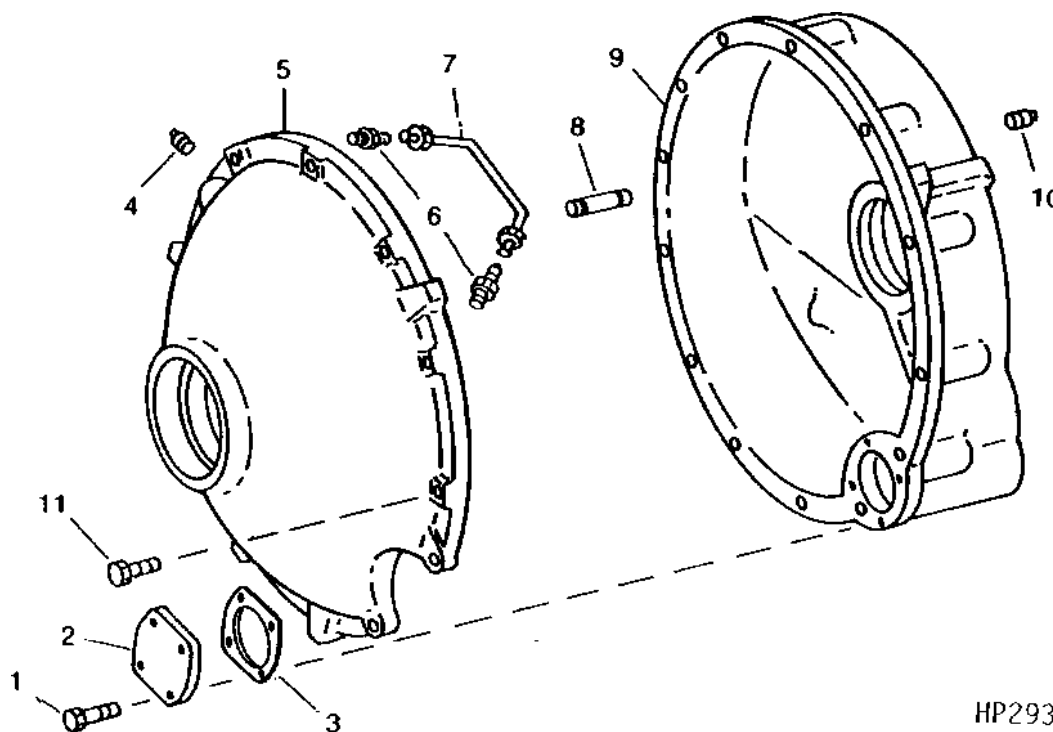
KEY	PART NO.	PART NAME	QTY	SERIAL NO.	REMARKS
1	AH121922	GEAR	1	L.H.	
	AH121923	GEAR	1	R.H.	

2B25

POWER TRAIN

FINAL DRIVE HOUSING AND BEARING CAP (RING AND PINION)

HP2931 -UN-01JAN94



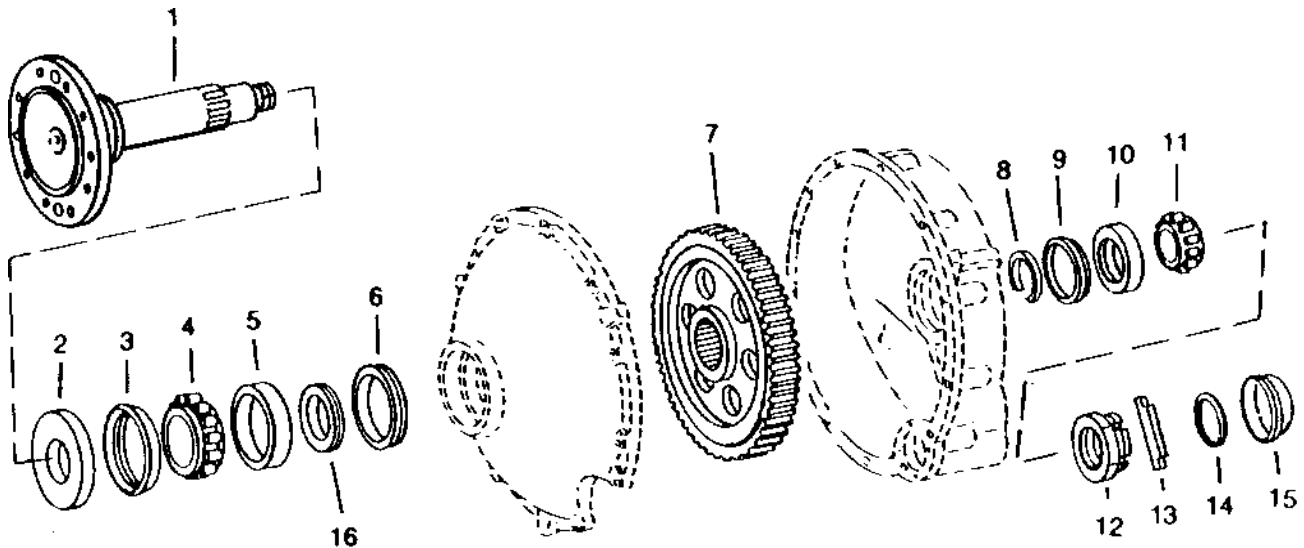
HP2931

KEY	PART NO.	PART NAME	QTY	SERIAL NO.	REMARKS
1	19M7835	SCREW	4	M10 X 35	
2	H133089	CAP	1		
3	H133096	SHIM	AR	0.50 MM (0.020") (STEEL)	
	H133097	SHIM	AR	0.25 MM (0.010") (STEEL)	
	H133098	SHIM	AR	0.13 MM (0.005") (PLASTIC) (BLUE)	
4	JD7760	LUBRICATION FITTING	1		
5	H133092	HOUSING	1		(OUTER)
6	R35352	FITTING	2		
7	AH120736	OIL LINE	1		
8	R54380	DOWEL PIN	2		
9	H148286	HOUSING	1		R.H. (INNER) REQUIRES (2) 15H237 PIPE PLUGS (1) FOR FILL HOLE AND (1) FOR DRAIN HOLE L.H. (INNER) REQUIRES (3) 15H237 PIPE PLUGS (2) FOR FILL HOLE AND (1) FOR DRAIN HOLE
	N276475	HOUSING	1		
10	15H237	PIPE PLUG	3		12.700 MM (1/2")
11	19M7824	SCREW	12	M16 X 60	

NOTE: QUANTITIES SHOWN ARE FOR ONE UNIT. TWO UNITS USED PER MACHINE.

FINAL DRIVE AXLE, GEAR AND BEARINGS (RING AND PINION)

HP4489 -UN-01JAN94



HP4489

KEY	PART NO.	PART NAME	QTY	SERIAL NO.	REMARKS
1	H133094	SPINDLE	1		
2	AH112402	SEAL	1		
3	R52015	SEAL	1		
4	JD9092	BEARING CONE	1		
5	JD9147	BEARING CUP	1		
6	AH125233	SEAL	1		
7	H137672	GEAR	1	-680219	104 TEETH
	H167723	GEAR	1	680220-	95 TEETH
8	H118882	SNAP RING	1		
9	H129557	SPACER	1		
10	JD7298	BEARING CUP	1		
11	JD10266	BEARING CONE	1		
12	H129854	NUT	1		
13	H125330	SHAFT KEY	1		
14	H22784	SNAP RING	1		
15	H154720	PLUG	1		
16	R99244	V-RING SEAL	1		

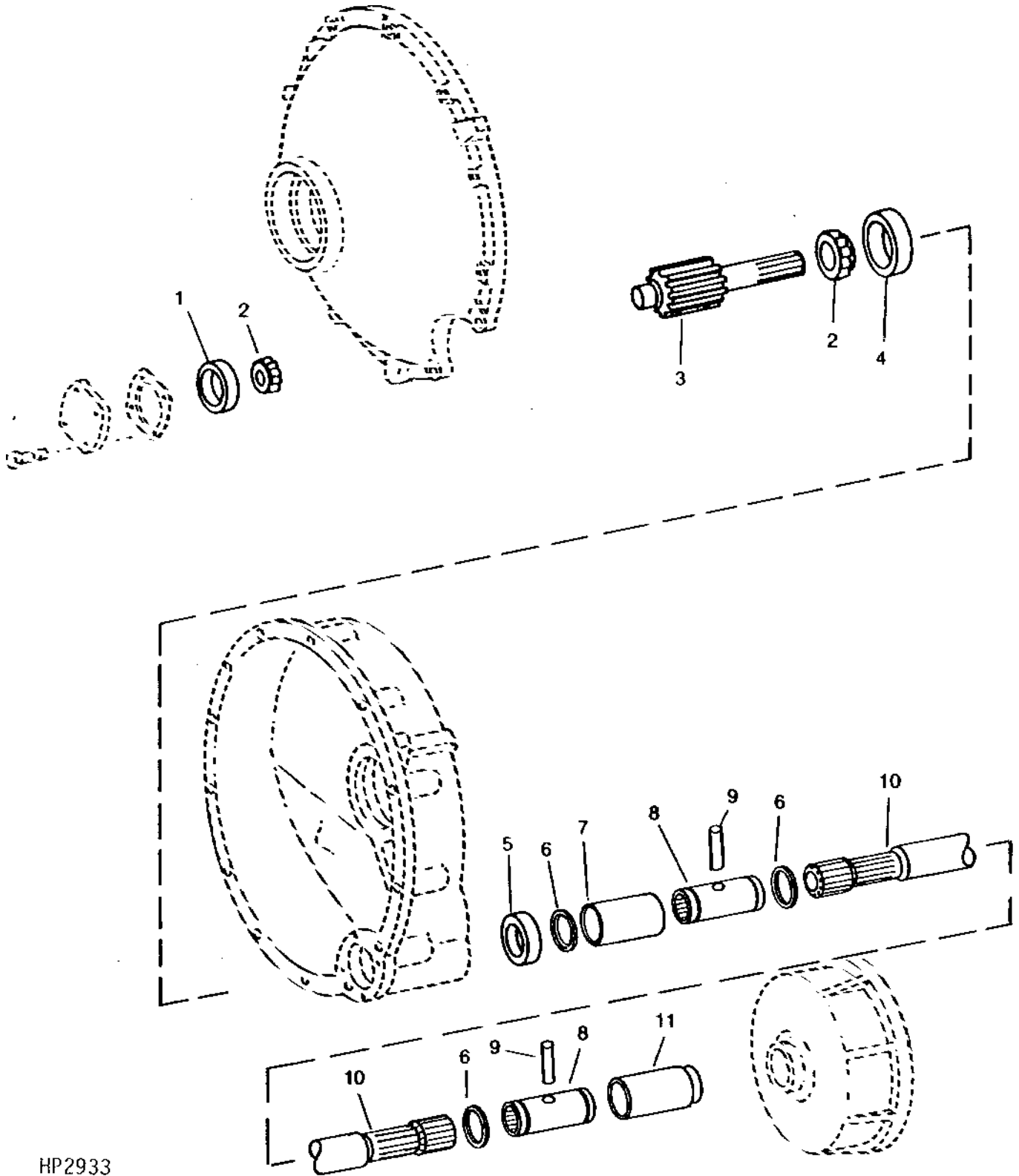
NOTE: QUANTITIES SHOWN ARE FOR ONE UNIT. TWO UNITS USED PER MACHINE.

MEMORANDA

FINAL DRIVE PINION, DRIVE SHAFTS AND BEARINGS

(RING AND PINION)

HP2933 -UN-01JAN94



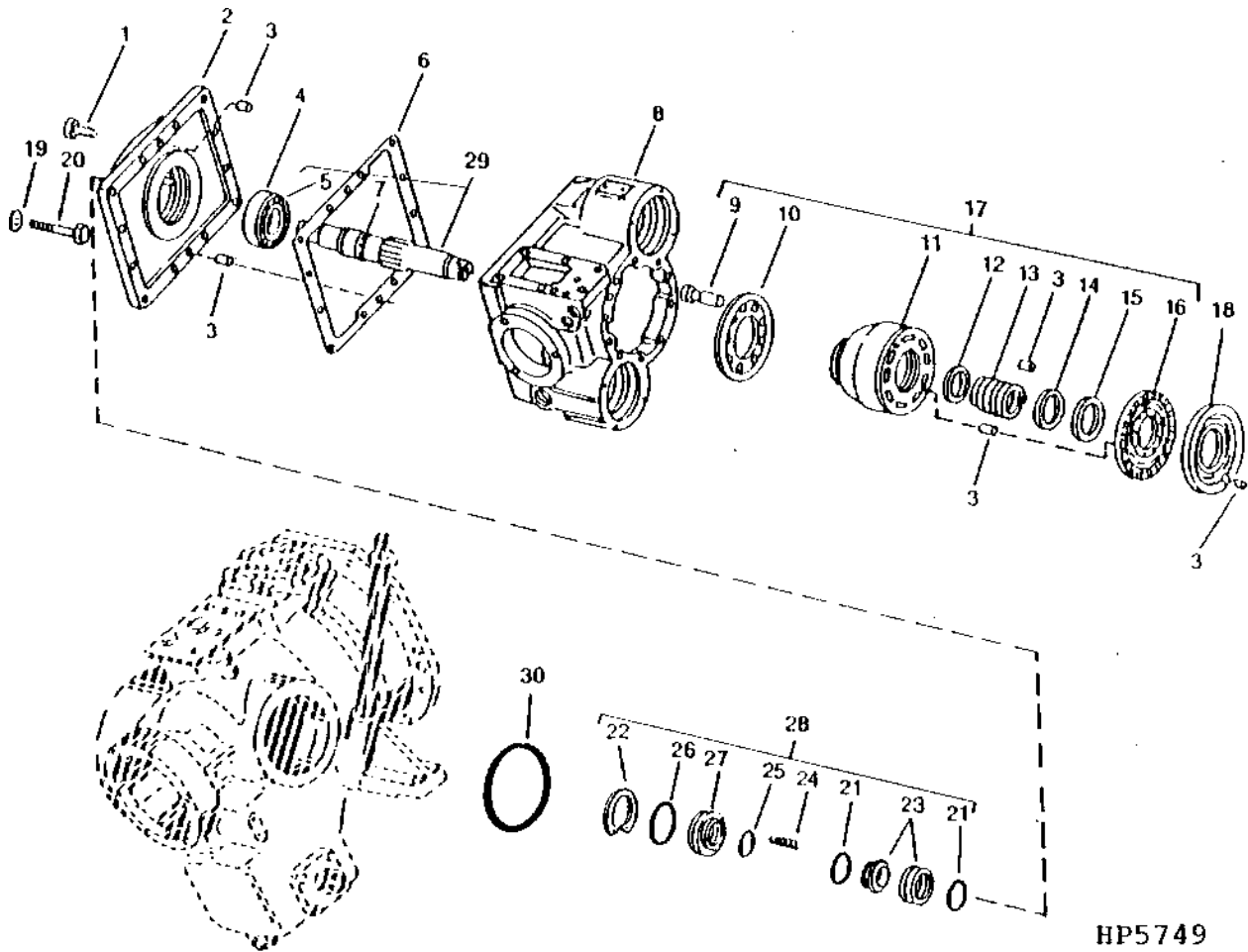
HP2933

**FINAL DRIVE PINION, DRIVE SHAFTS AND BEARINGS - CONTINUED
(RING AND PINION)**

KEY	PART NO.	PART NAME	QTY	SERIAL NO.	REMARKS
1	JD8222	BEARING CUP	1		
2	JD10401	BEARING CONE	2		
3	H157014	PINION	1		
4	T79098	BEARING CUP	1		
5	AH128391	SEAL	1		
6	H133229	SNAP RING	3		
7	H134444	SLEEVE	1		
8	H165510	SPLINED COUPLING	2		(SUB FOR H133230)
9	H131754	PIN	2		
10	H165665	SHAFT	1		(SUB FOR H145553) R.H.
	H165666	SHAFT	1		(SUB FOR H145554) L.H.
11	H134531	SLEEVE	1	-680231	
	H166201	SLEEVE	1	680232-	

NOTE: QUANTITIES SHOWN ARE FOR ONE UNIT. TWO UNITS USED PER MACHINE.

**HYDROSTATIC DRIVE PUMP, FRONT COVER AND SHAFT
(RING AND PINION)**
HP5749 -UN-01JAN94



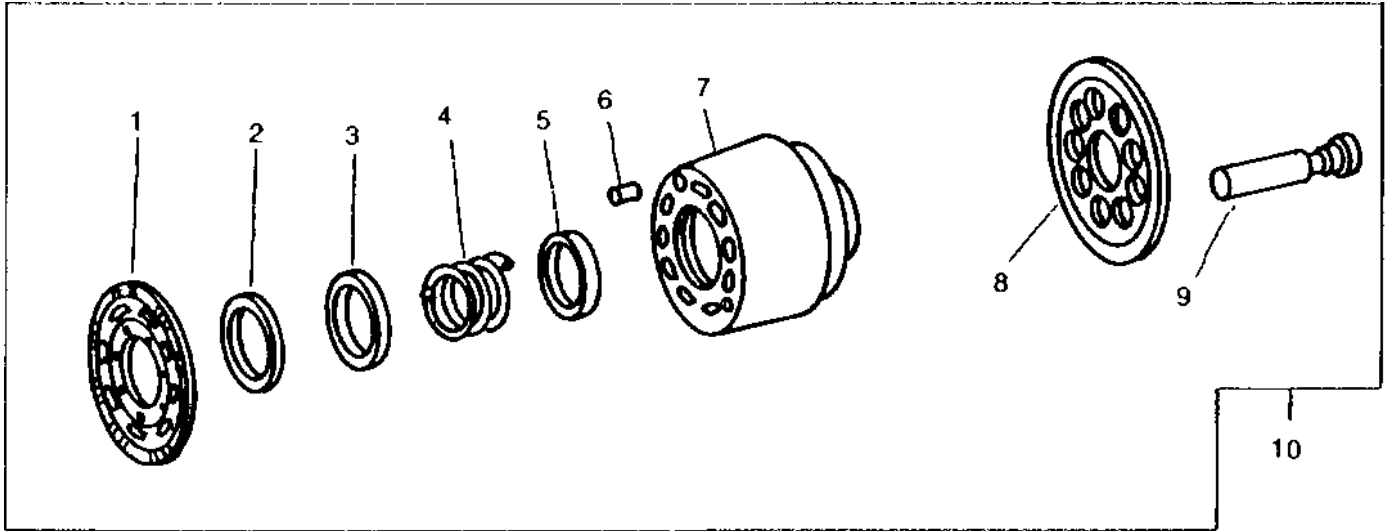
HP5749

HYDROSTATIC DRIVE PUMP, FRONT COVER AND SHAFT (RING AND PINION)- CONTINUED

KEY	PART NO.	PART NAME	QTY	SERIAL NO.	REMARKS
1	19H1731	CAP SCREW	12		
2	FLANGE	1		
3	H63271	PIN	5		
4	JD9113	BEARING CUP	1		
5	FLANGE	1		
6	N126585	GASKET	1		
7	SNAP RING	1		
8	HOUSING	1		(ORDER AH160785)
9	AH131169	PISTON	9		(A)
10	RETAINER	1		(A)
11	CYLINDER BLOCK	1		(A)
12	WASHER	1		(A)
13	SPRING	1		(A)
14	WASHER	1		(A)
15	SNAP RING	1		(A)
16	H135500	PLATE	1		(A)
17	AH131171	KIT	1		(INCLUDES PARTS MARKED (A))
18	H135499	PLATE	1		
19	T29342	WASHER	4		17/32" X 1-1/4" X 0.180"
20	19M7493	CAP SCREW	4		M12 X 40
21	N196034	O-RING	2		42.520 X 2.616 MM (1.674" X 0.103")
22	N126612	SNAP RING	1		
23	SEAL KIT	1		(KIT AN193085)
24	N191174	SPRING	6		
25	U15415	O-RING	1		34.646 X 1.778 MM (1.364" X 0.070")
26	R112857	O-RING	1		64.770 X 2.616 MM (2.550" X 0.103")
27	SEAL	1		(KIT AN193085)
28	AN193085	SEAL KIT	1		
29	AH133660	SHAFT	1		
30	R63308	O-RING	1		120.015 X 5.334 MM (4.725" X 0.210")
..	AH131305	PUMP	1		(SUB AH160785 AND E65288) REMANUFACTURED
..	AH160785	PUMP	1		REMANUFACTURED
..	E65288	O-RING	1		

**HYDROSTATIC DRIVE MOTOR KIT
(RING AND PINION)**

HP2942 -UN-01JAN94

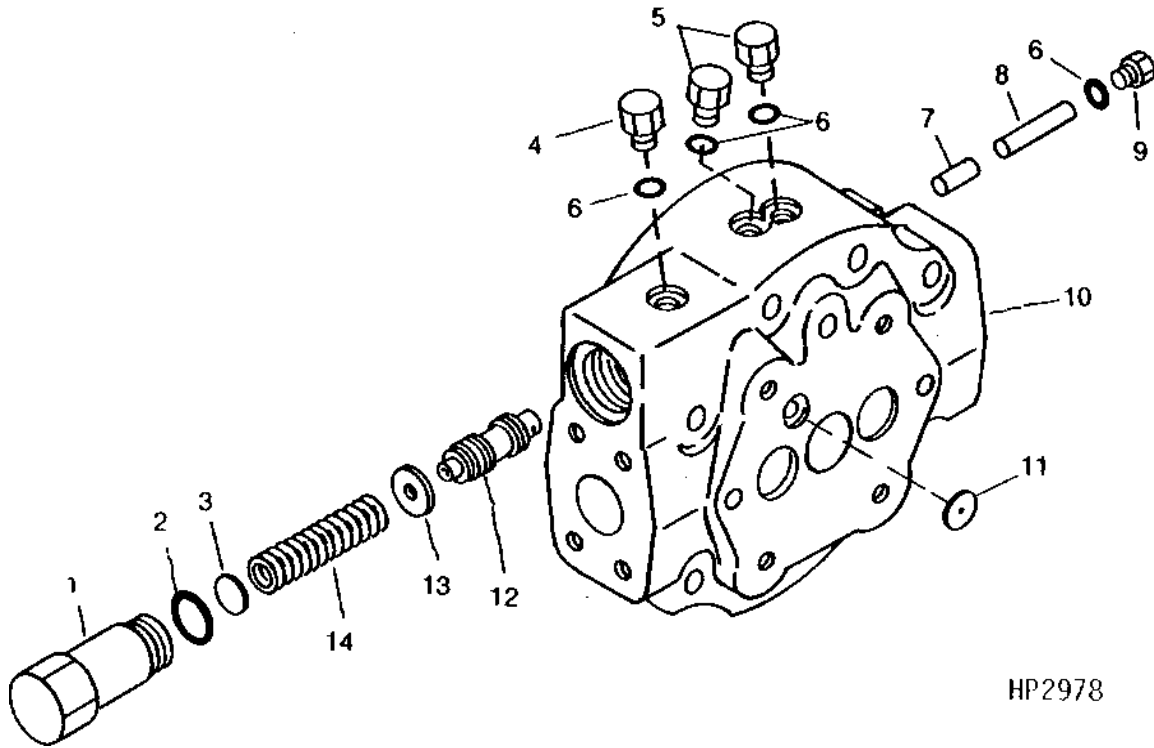


HP2942

KEY	PART NO.	PART NAME	QTY	SERIAL NO.	REMARKS
1	H135500	PLATE	1		
2	SNAP RING	1		
3	SPACER	1		
4	SPRING	1		
5	SPACER	1		
6	H63271	PIN	2		
7	CYLINDER BLOCK	1		
8	PLATE	1		
9	AH131169	PISTON	1		(INCLUDES 9 PISTONS)
10	AH131171	KIT	1		

HYDROSTATIC DRIVE PUMP COVER (RING AND PINION FINAL DRIVE)

HP2978 -UN-01JAN94



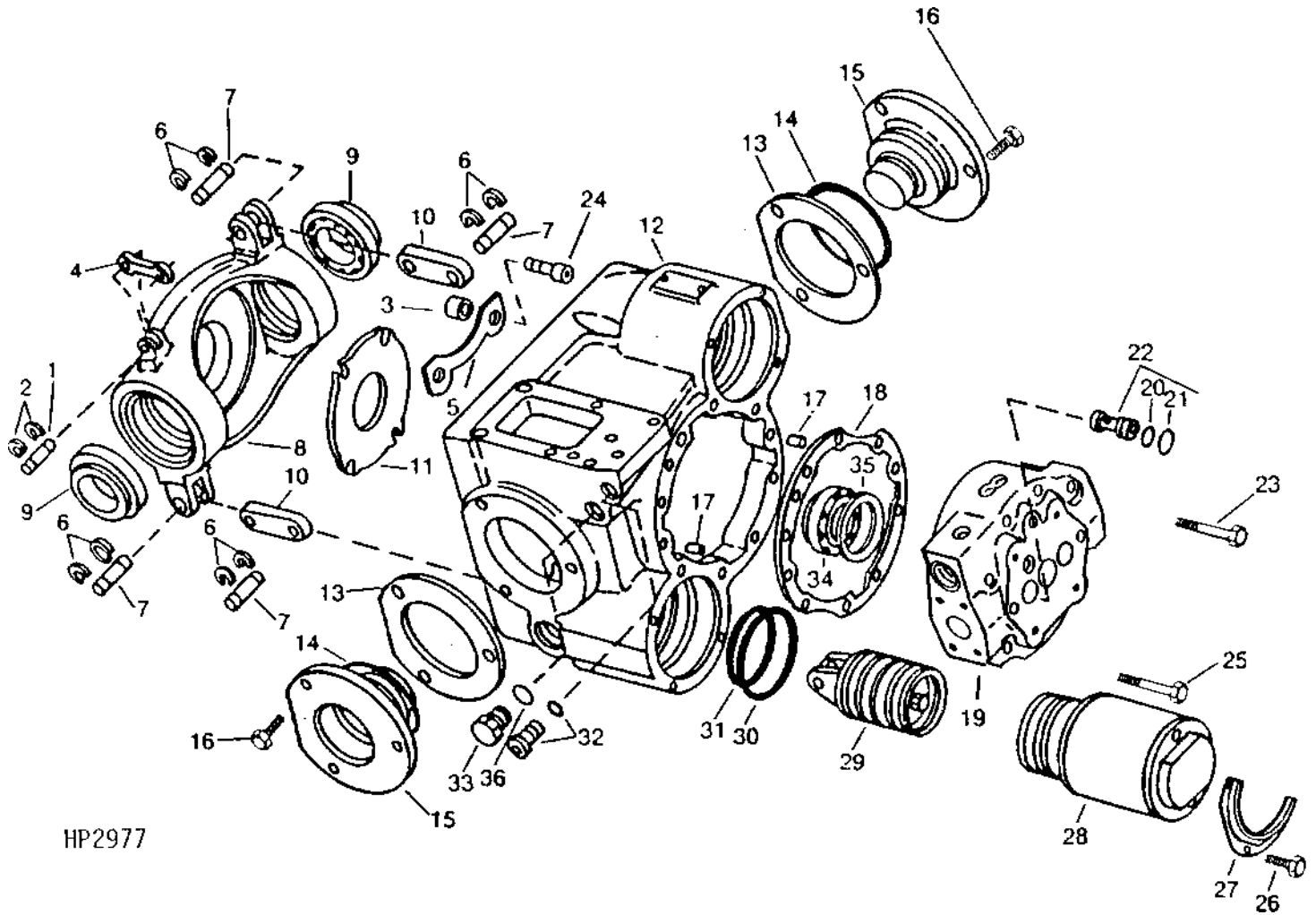
HP2978

KEY	PART NO.	PART NAME	QTY	SERIAL NO.	REMARKS
1	H135215	HOLDER	1		
2	R26906	O-RING	1		19.177 X 2.464 MM (0.755" X 0.097")
3	AH129278	KIT	1		SHIMS
4	AT63272	FITTING	1		(INCLUDES R30903)
5	AT63272	FITTING	2		(INCLUDES R30903)
6	R30903	O-RING	4		6.071 X 1.626 MM (0.239" X 0.064")
7	H135503	NEEDLE ROLLER	1		
8	H135504	NEEDLE ROLLER	1		
9	AT63272	FITTING	1		INCS. R30903 O-RING
10	COVER	1		(ORDER AH160785)
11	H135567	ORIFICE	1		
12	H135214	VALVE SPOOL	1		
13	H135213	WASHER	1		
14	H135211	COMPRESSION SPRING	1		
..	AH131305	PUMP	1		(SUB AH160785 AND E65288) REMANUFACTURED
..	AH160785	PUMP	1		REMANUFACTURED
..	E65288	O-RING	1		

2C8

HYDROSTATIC DRIVE PUMP, HOUSING, SWASHPLATE, AND SERVO CYLINDERS (RING AND PINION)

HP2977 -UN-01JAN94



HP2977

HYDROSTATIC DRIVE PUMP, HOUSING, SWASHPLATE, AND SERVO CYLINDERS - CONTINUED
(RING AND PINION)

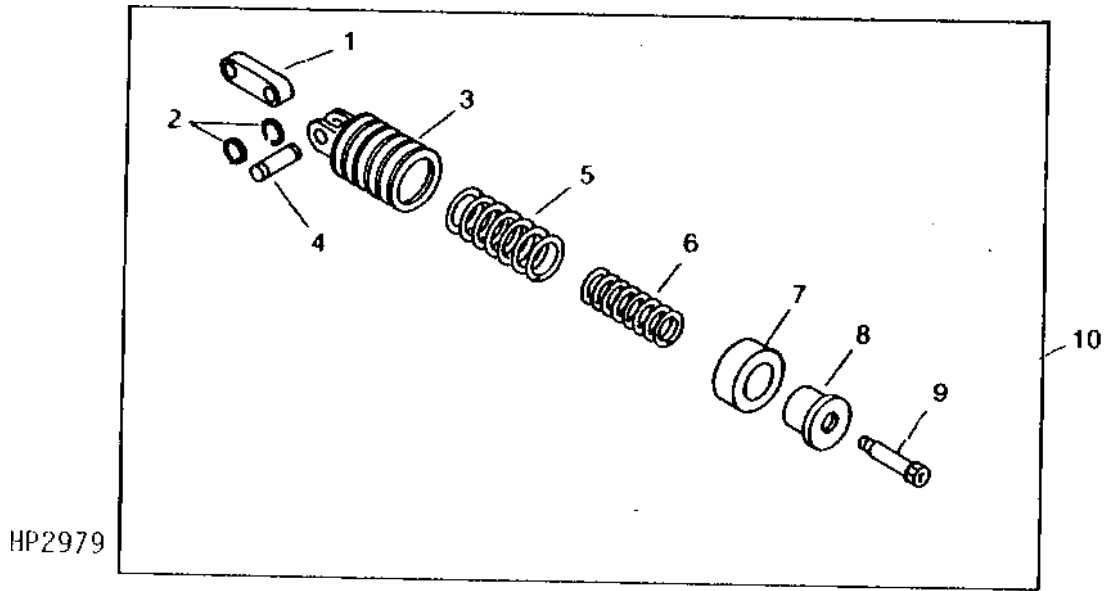
KEY	PART NO.	PART NAME	QTY	SERIAL NO.	REMARKS
1	N126603	PIN	1		
2	M48000	SNAP RING	2		
3	SPACER	1	(KIT AH131391)	
4	LINK	1	(ORDER AH160785)	
5	STRAP	1	(KIT AH131391)	
6	N126609	SNAP RING	8	(SUB AN274375)	
7	N126599	PIN	4	(SUB AN274375)	
8	SWASH PLATE	1	(ORDER AH160785)	
9	JD9076	BEARING CONE	2		
	JD9133	BEARING CUP	2		
10	N126600	LINK	2		
11	PLATE	1	(KIT AH131391)	
12	HOUSING	1	(SUB AH160785)	
13	AN122506	SHIM	AR	FOUR, .002", .005", .010" AND .015"	
14	T14065	O-RING	2	66.269 X 3.531 MM (2-39/64" X 0.139")	
15	TRUNNION	2	(ORDER AH160785)	
16	19H2284	CAP SCREW	6	3/8" X 7/8"	
17	H63271	PIN	2		
18	N126584	GASKET	1		
19	HOUSING	1	(ORDER AH160785)	
20	32246	O-RING	2	13.945 X 2.616 MM (0.549" X 0.103")	
21	W23690	BACK-UP RING	2		
22	AN122502	CHECK VALVE	2		
23	19H1944	CAP SCREW	6	3/8" X 2-3/4"	
24	19H3053	SCREW	4	5/16" X 1"	
25	19H1800	CAP SCREW	2	3/8" X 1-1/2"	
26	19H3176	SCREW	6	0.164" X 0.380"	
27	N126602	RETAINER	2	SERVO	
28	AN122493	SLEEVE	2	SERVO, INCLUDES R53543 AND M43518 O-RINGS	
29	AH131172	PISTON	2	(INCLUDES KEYS 6, 7 AND 10)	
30	R53543	O-RING	2	67.945 X 2.619 MM (2.675" X 0.103")	
31	M43518	O-RING	2	61.595 X 2.616 MM (2.425" X 0.103")	
32	AN122518	FITTING	1	PLUG, SOCKET HD. UNF, 7/16", INCLUDES O-RING	
33	R51031	FITTING	1		
34	AN122507	ROLLER BEARING	1		
35	AN122509	SHIM	1	FIVE, .002", .005", .010" AND .015"	
36	R28782	O-RING	2	8.915 X 1.829 MM (0.351" X 0.072")	
..	AH131391	KIT	1	(INCLUDES KEYS 3, 5 AND 11)	
..	AN274375	PIN	1	(INCLUDES KEYS 6 AND 7)	
..	AH131305	PUMP	1	(SUB AH160785 AND E65288) REMANUFACTURED	
..	AH160785	PUMP	1	REMANUFACTURED	
..	E65288	O-RING	1		

2C10

POWER TRAIN

HYDROSTATIC DRIVE PISTON ASSEMBLY (RING AND PINION)

HP2979 -UN-01JAN94



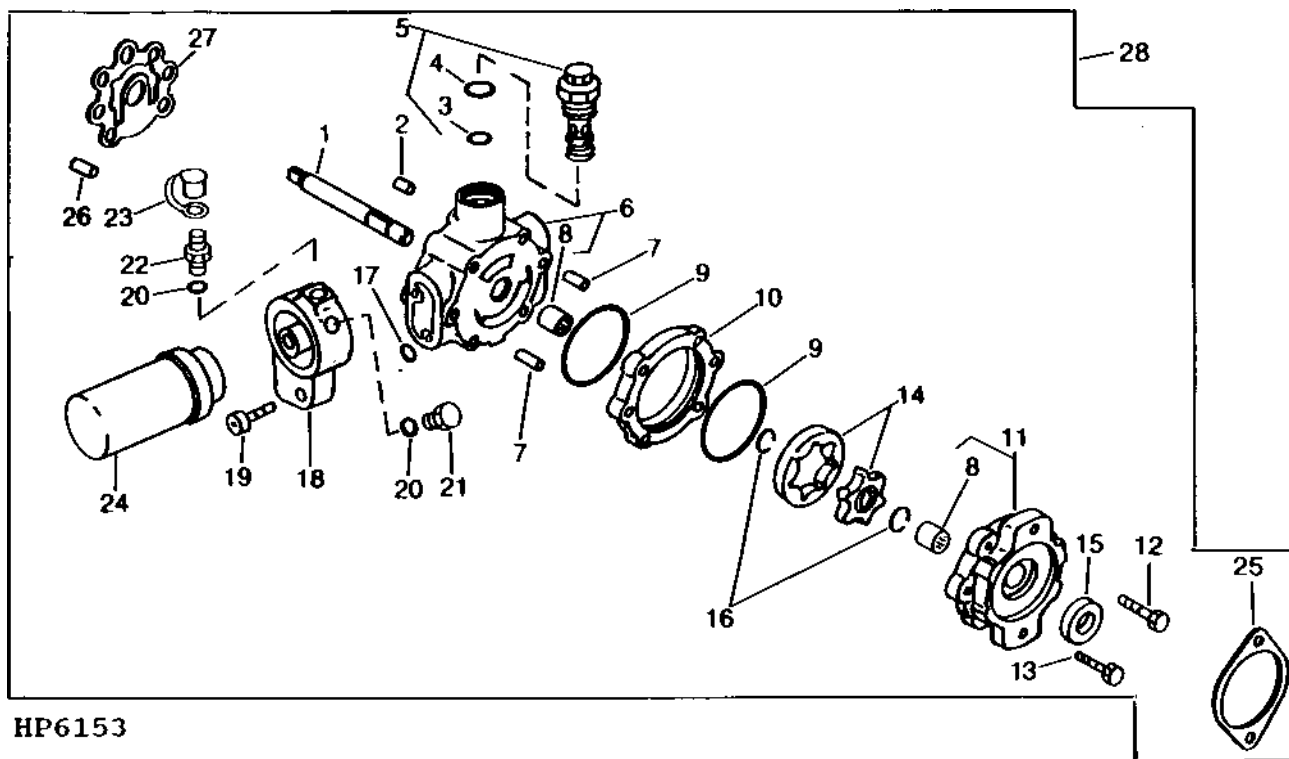
KEY	PART NO.	PART NAME	QTY	SERIAL NO.	REMARKS
1	N126600	LINK	1		
2	N126609	SNAP RING	2	(SUB AN274375)	
3	PISTON	1		
4	N126599	PIN	1	(SUB AN274375)	
5	SPRING	1		
6	SPRING	1		
7	SPACER	1		
8	RETAINER	1		
9	CAP SCREW	1		
10	AH131172	PISTON	1		
..	AN274375	PIN	1		

2C11

HYDROSTATIC DRIVE CHARGE PUMP

(- 675493)

HP6153 -UN-01SEP95



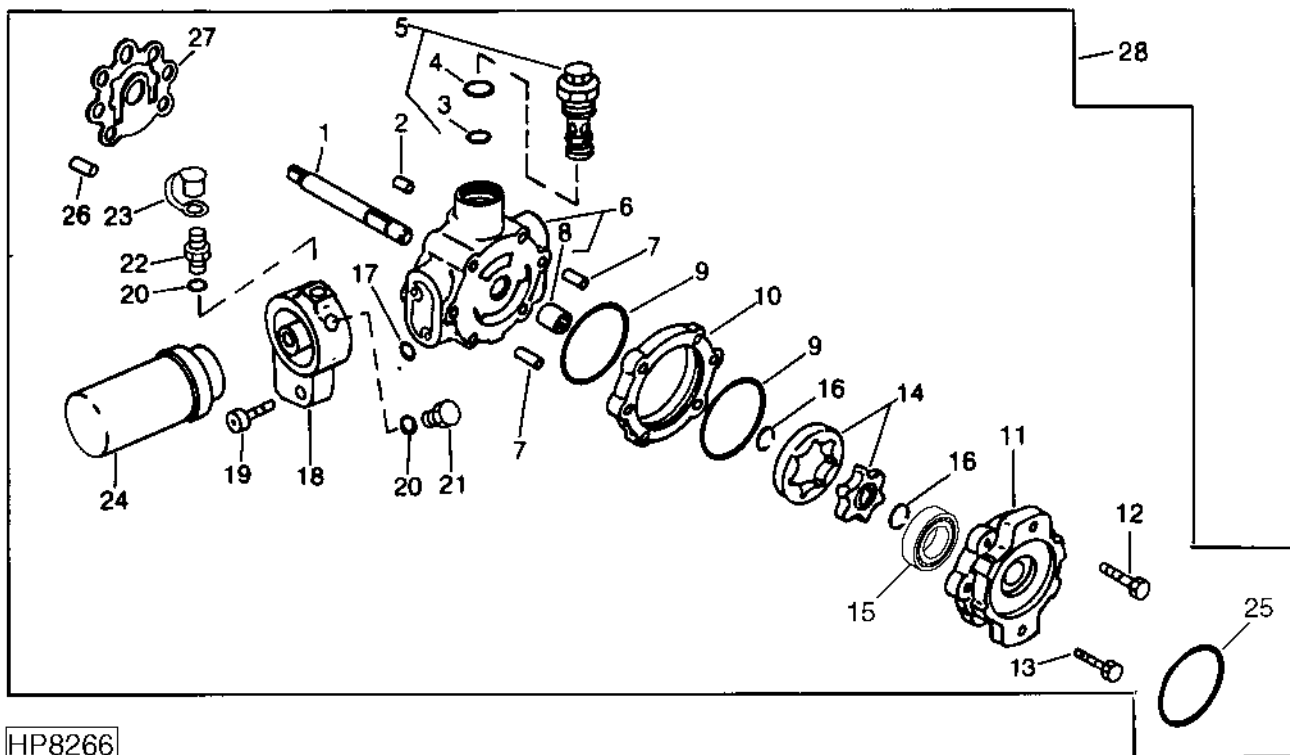
HP6153

KEY	PART NO.	PART NAME	QTY	SERIAL NO.	REMARKS
1	H135505	DRIVE SHAFT	1		
2	N126638	PIN	1		
3	H63289	O-RING	1		20.295 X 2.616 MM (0.799" X 0.103")
4	U17409	O-RING	1		26.619 X 2.946 MM (1.048" X 0.116")
5	AN122498	RELIEF VALVE	1		
6	HOUSING	1		(A)
7	N126601	BUSHING	1		
8	NEEDLE BEARING	1		(A)
9	H135570	O-RING	1		78.994 X 1.778 MM (3.110" X 0.070")
10	SPACER	1		(A)
11	COVER	1		(A)
12	19H1875	CAP SCREW	2		5/16" X 1-3/4"
13	SCREW	4		(A)
14	OIL PUMP	1		(A)
15	AH131170	SEAL	1	-675493	
16	SNAP RING	2		(A)
17	R34404	O-RING	2		17.120 X 2.616 MM (0.674" X 0.103") (SUB P48347)
18	H151087	FILTER HEAD	1		
19	19H3093	SCREW	2		
20	R26448	O-RING	2		11.887 X 1.981 MM (0.468" X 5/64")
21	R27218	FITTING PLUG	1		
22	AH125760	HYD. QUICK-CONNECT COUPLER	1		
23	R77175	COVER	1		
24	AH128449	HYDRAULIC FILTER	1		
25	H131121	GASKET	1		
26	H63271	PIN	2		
27	H135497	GASKET	1		
28	AH131167	HYDRAULIC PUMP	1		(SUB AH160745 AND E65288) (INCLUDES PARTS MARKED (A))
	AH160745	HYDRAULIC PUMP	1		REMANUFACTURED
	E65288	O-RING	1		

NOTE: PARTS ON THIS PAGE ARE ALSO FURNISHED AS PART OF AH160785 HYDROSTATIC DRIVE UNIT.

HYDROSTATIC DRIVE CHARGE PUMP

(675494 -)
 HP8266 -UN-19FEB99



HP8266

KEY	PART NO.	PART NAME	QTY	SERIAL NO.	REMARKS
1	DRIVE SHAFT	1		
2	N126638	PIN	1		
3	H63289	O-RING	1	20.295 X 2.616 MM (0.799" X 0.103")	
4	U17409	O-RING	1	26.619 X 2.946 MM (1.048" X 0.116")	
5	AN122498	RELIEF VALVE	1		
6	HOUSING	1	(A)	
7	N126601	BUSHING	1		
8	NEEDLE BEARING	1	(A)	
9	H135570	O-RING	1	78.994 X 1.778 MM (3.110" X 0.070")	
10	SPACER	1	(A)	
11	COVER	1	(A)	
12	19H1875	CAP SCREW	2	5/16" X 1-3/4"	
13	SCREW	4	(A)	
14	OIL PUMP	1	(A)	
15	BALL BEARING	1		
16	SNAP RING	2	(A)	
17	R34404	O-RING	2	17.120 X 2.616 MM (0.674" X 0.103")	
18	H151087	FILTER HEAD	1		
19	19H3093	SCREW	2	9.525 X 44.450 MM (3/8" X 1-3/4")	
20	R26448	O-RING	2	11.887 X 1.981 MM (0.468" X 5/64")	
21	R27218	FITTING PLUG	1		
22	AH125760	HYD. QUICK-CONNECT COUPLER	1		
23	R77175	COVER	1		
24	AH128449	HYDRAULIC FILTER	1		
25	E65288	O-RING	1		
26	H63271	PIN	2		
27	H135497	GASKET	1		
28	AH160745	HYDRAULIC PUMP	1	(INCLUDES PARTS MARKED (A))	

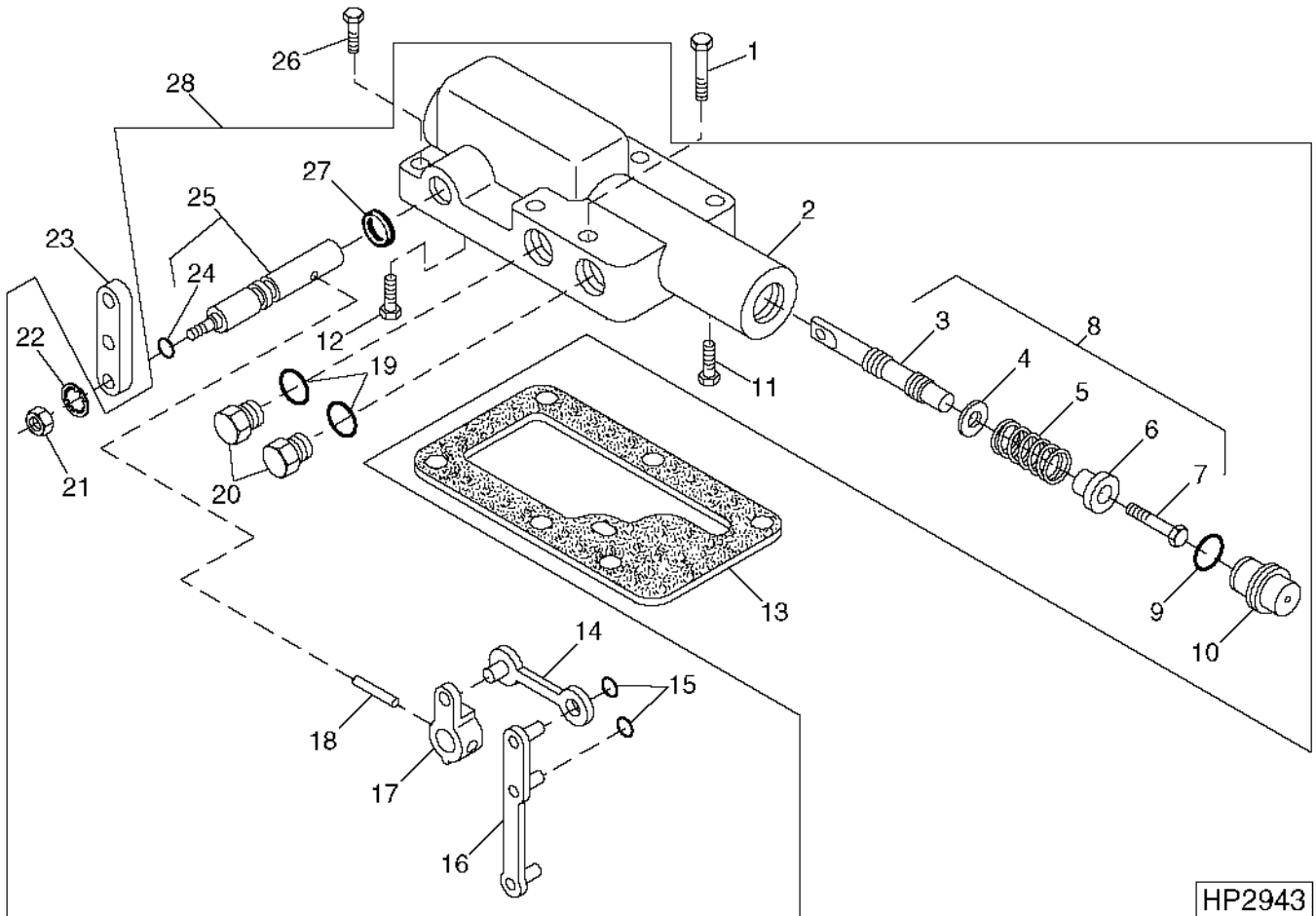
NOTE: PARTS ON THIS PAGE ARE ALSO FURNISHED AS PART OF AH160785 HYDROSTATIC DRIVE UNIT.

MEMORANDA

2C13

HYDROSTATIC DRIVE DISPLACEMENT CONTROL VALVE

HP2943 -UN-13AUG99



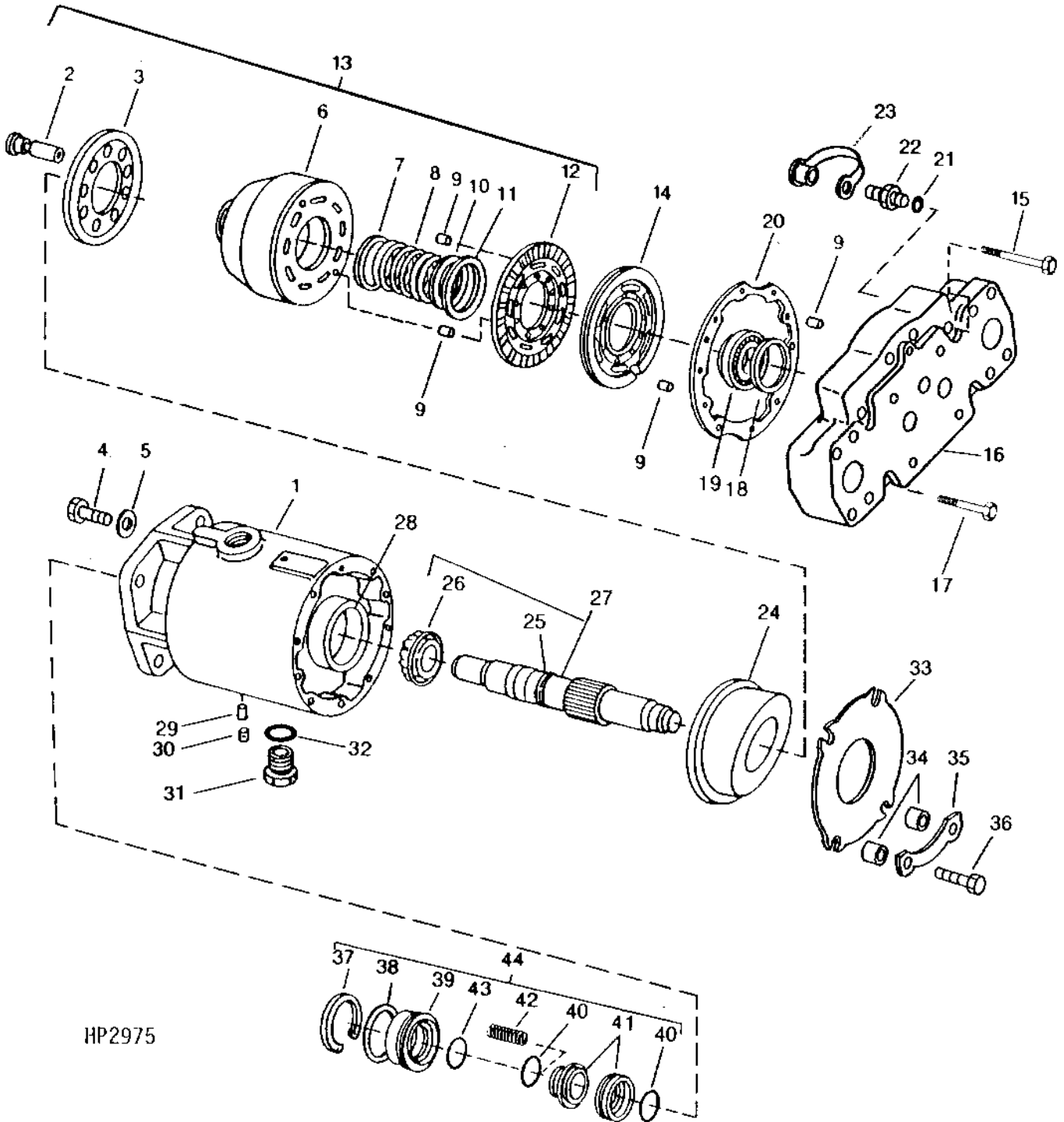
HYDROSTATIC DRIVE DISPLACEMENT CONTROL VALVE - CONTINUED

KEY	PART NO.	PART NAME	QTY	SERIAL NO.	REMARKS
1	19H1875	CAP SCREW	2	5/16" X 1-3/4"	
2	HOUSING	1	(B)	
3	SPOOL	1	(A)	
4	WASHER	1	(A)	
5	SPRING	1	(A)	
6	RETAINER	1	(A)	
7	CAP SCREW	1	(A)	
8	AH129284	KIT	1	(INCLUDES PARTS MARKED (A))	
9	R27166	O-RING	1	15.596 X 1.778 MM (0.614" X 0.070")	
10	N126641	SCREW	1		
11	AN122494	BOLT	1		
12	AN122499	BOLT	1		
13	N126586	GASKET	1		
14	LINK	1	(B)	
15	M48000	SNAP RING	2		
16	LINK	1	(B)	
17	CONNECTOR	1	(B)	
18	34H311	SPRING PIN	1	1/4" X 7/8"	
19	R26448	O-RING	2	11.887 X 1.981 MM (0.468" X 5/64")	
20	R27218	FITTING PLUG	2		
21	14H785	NUT	1	5/16"	
22	12M7032	LOCK WASHER	1	8.400 MM (0.331")	
23	H168988	LEVER	1	(SUB FOR H126583)	
24	A3917R	O-RING	1	9.246 X 1.778 MM (0.364" X 0.070")	
25	AN193084	SHAFT	1		
26	19H1905	CAP SCREW	4	5/16" X 1"	
27	H136163	SEAL	1		
28	AH131168	CONTROL VALVE	1	(INCLUDES PARTS MARKED (B))	

NOTE: PARTS ON THIS PAGE ARE ALSO FURNISHED AS PART OF AH160785 HYDROSTATIC DRIVE UNIT.
(SINGLE REDUCTION FINAL DRIVE)

2C15

HYDROSTATIC DRIVE MOTOR
(RING AND PINION)
HP2975 -UN-01JAN94



HP2975

2C16

POWER TRAIN

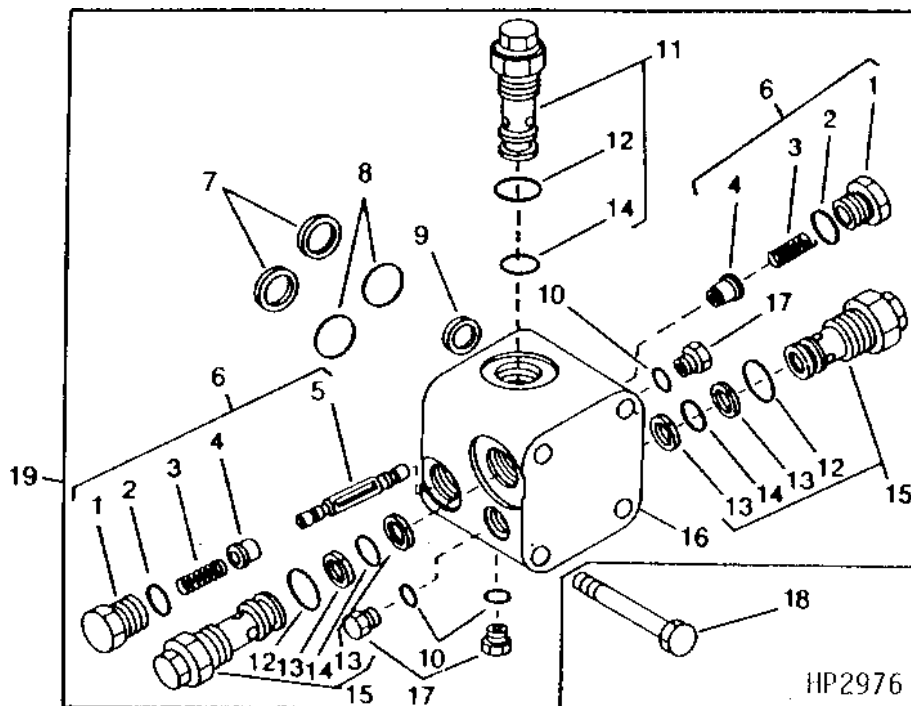
**HYDROSTATIC DRIVE MOTOR - CONTINUED
(RING AND PINION)**

KEY	PART NO.	PART NAME	QTY	SERIAL NO.	REMARKS
1	HOUSING	1	(SUB AH131310)	
2	AH131169	PISTON	1		
3	RETAINER	1		
4	19H3192	SCREW	2	5/16" X 3"	
5	H135571	SEALING WASHER	2		
6	CYLINDER BLOCK	1		
7	WASHER	1		
8	SPRING	1		
9	H63271	PIN	5		
10	WASHER	1		
11	SNAP RING	1		
12	H135500	PLATE	1		
13	AH131171	KIT	1		
14	H135509	PLATE	1		
15	19H1944	CAP SCREW	6	3/8" X 2-3/4"	
16	COVER	1	(SUB AH131310)	
17	19H1800	CAP SCREW	2	3/8" X 1-1/2"	
18	AN122509	SHIM	1	FIVE, .002", .005", .010" AND .015"	
19	AN122507	ROLLER BEARING	1		
20	H135508	GASKET	1		
21	R26448	O-RING	2	11.887 X 1.981 MM (0.468" X 5/64")	
22	AH125760	HYD. QUICK-CONNECT COUPLER	2		
23	R77175	COVER	2		
24	SWASH PLATE	1	(SUB AH131310)	
25	SNAP RING	1		
26	FLANGE	1		
27	AH133661	SHAFT	1		
28	JD9113	BEARING CUP	1		
29	H64813	DOWEL PIN	1		
30	15H558	PIPE PLUG	1	1/8"	
31	R27175	DRAIN PLUG	1		
32	U12547	O-RING	1	23.470 X 2.946 MM (0.924" X 0.116")	
33	PLATE	1		
34	SPACER	4		
35	STRAP	1		
36	19H3053	SCREW	4	5/16" X 1"	
37	N126612	SNAP RING	1		
38	R112857	O-RING	1	64.770 X 2.616 MM (2.550" X 0.103")	
39	RETAINER	1		
40	N196034	O-RING	2		
41	SEAL KIT	1		
42	N191174	SPRING	6		
43	U15415	O-RING	1	34.646 X 1.778 MM (1.364" X 0.070")	
44	AN193085	SEAL KIT	1		
..	AH131391	KIT	1		
..	AH131310	MOTOR	1	(INCLUDES AH131173 MOTOR VALVE) REMANUFACTURED	

2C17

HYDROSTATIC MOTOR VALVE (RING AND PINION)

HP2976 -UN-01JAN94

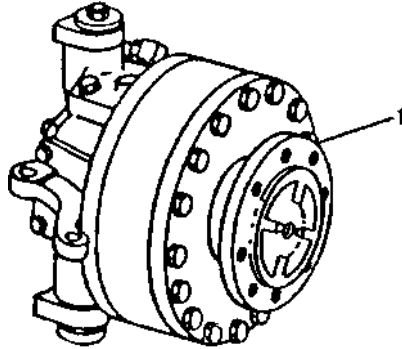


KEY	PART NO.	PART NAME	QTY	SERIAL NO.	REMARKS
1	PLUG	2		
	R27175	DRAIN PLUG	2		
2	R26906	O-RING	2		19.177 X 2.464 MM (0.755" X 0.097")
	U12547	O-RING	2		
3	SPRING	1		
4	N126654	VALVE	2		SHUTTLE
5	N128541	SPOOL	1		SHUTTLE
6	AH131308	KIT	1		
7	U40729	BACK-UP RING	2		
8	N130510	O-RING	2		21.895 X 2.616 MM (0.862" X 0.103")
9	AN272356	SEAL KIT	1		
10	R28782	O-RING	3		8.915 X 1.829 MM (0.351" X 0.072")
11	AN122497	RELIEF VALVE	1		LOW PRESSURE
12	U17409	O-RING	3		26.619 X 2.946 MM (1.048" X 0.116")
13	H63288	RING	4		
14	H63289	O-RING	3		20.295 X 2.616 MM (0.799" X 0.103")
15	AH129280	RELIEF VALVE	2		(INCLUDES U17409, H63288 AND H63289) HIGH PRESSURE
	AH131174	RELIEF VALVE	2		HIGH PRESSURE
16	CASE	1		
17	R51031	FITTING	3		
18	19H2228	CAP SCREW	4		3/8" X 4"
19	AH141811	VALVE	1		

2C18

POWER TRAIN

CAM LOBE MOTOR (1200 CC)
RXP6972 -UN-01JAN94



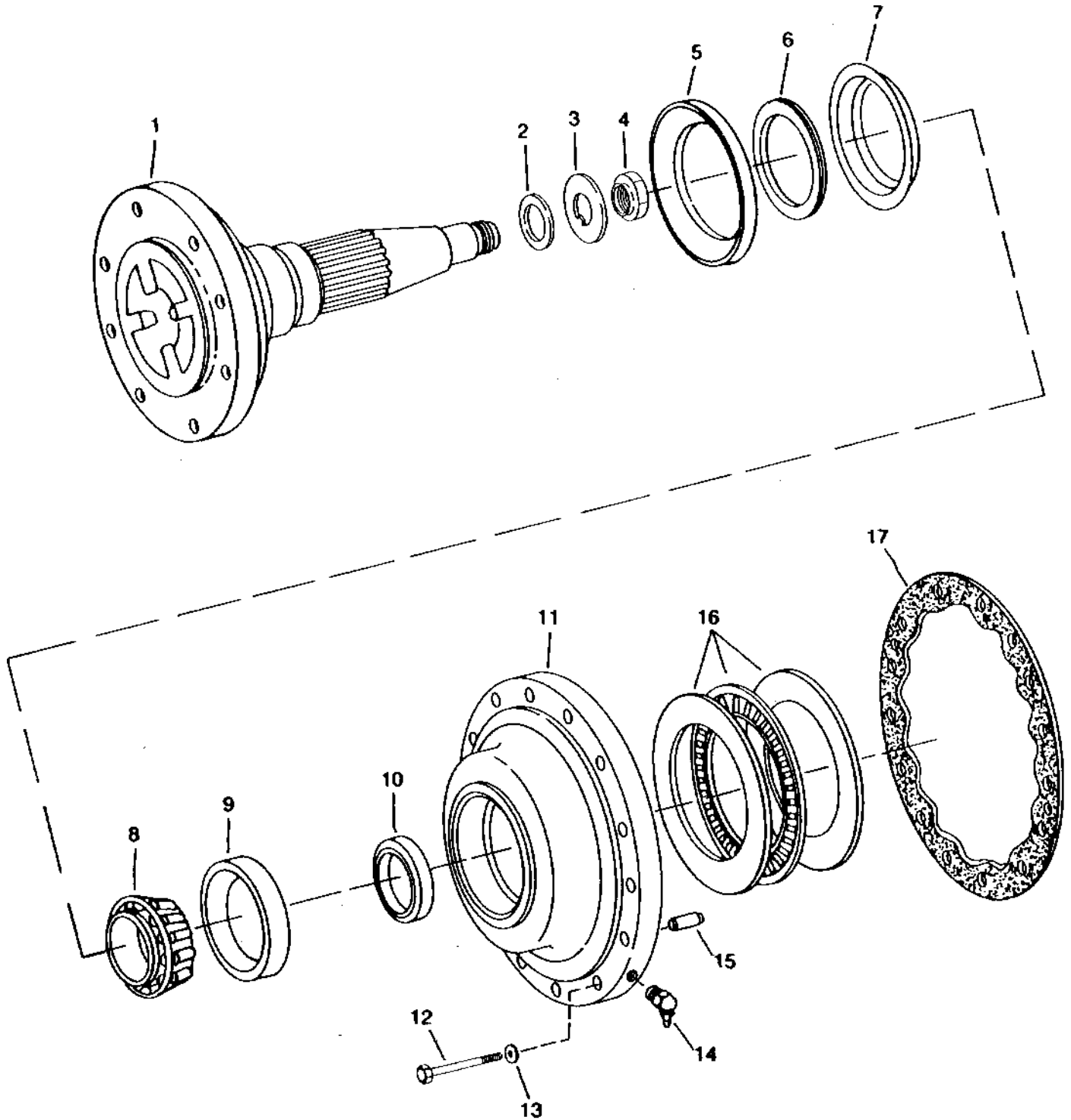
RXP6972

KEY	PART NO.	PART NAME	QTY	SERIAL NO.	REMARKS
1	RE33336	MOTOR	1		R.H. COMPLETE COMPONENT
	RE33337	MOTOR	1		L.H. COMPLETE COMPONENT
..	BH71746	COMPLETE GOODS/SHIP. BUNDLE	1		
..	BH71883	COMPLETE GOODS/SHIP. BUNDLE	1		4-WHEEL DRIVE CONVERSION

2C19

POWER TRAIN

SHAFT, OUTER COVER, BEARING AND SEALS
CAM LOBE MOTOR (1200 CC)
RXP6957 -UN-01JAN94



RXP6957

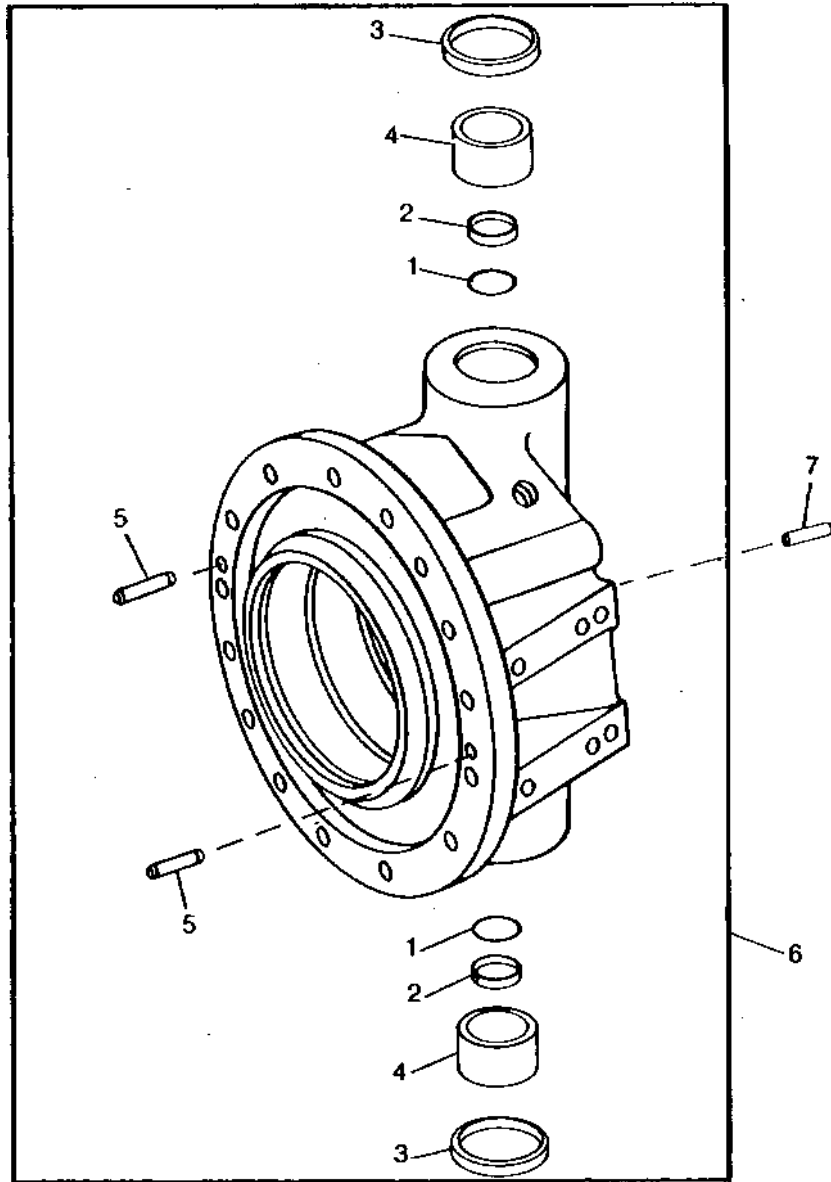
SHAFT, OUTER COVER, BEARING AND SEALS - CONTINUED
CAM LOBE MOTOR (1200 CC)

KEY	PART NO.	PART NAME	QTY	SERIAL NO.	REMARKS
1	R88972	SPINDLE	1		
	R111995	SPINDLE	1		(SUB R111995) (ALSO ORDER RE49243)
2	JD9849	THRUST BEARING	1		
3	R93180	WASHER	1		
4	R92160	NUT	1		
5	R93030	SEAL	1		
6	RE31701	SEAL	1		(USE WITH R88972)
	RE49243	SEAL	1		(USE WITH R111995)
7	R57269	OIL CUP	1		
8	JD10462	BEARING CONE	1		
9	JD7448	BEARING CUP	1		
10	RE32824	SEAL	1		
11	R88829	COVER	1		
12	R89610	CAP SCREW	15		1/2" X 6"
13	R32214	WASHER	15		
14	JD7847	LUBRICATION FITTING	1		
15	R26650	DOWEL PIN	2		
16	RE68401	THRUST BEARING	1		(SUB FOR RE22642)
17	R93142	GASKET	1		

2C21

POWER TRAIN

INNER COVER
RXP7788 -UN-01JAN94



RXP7788

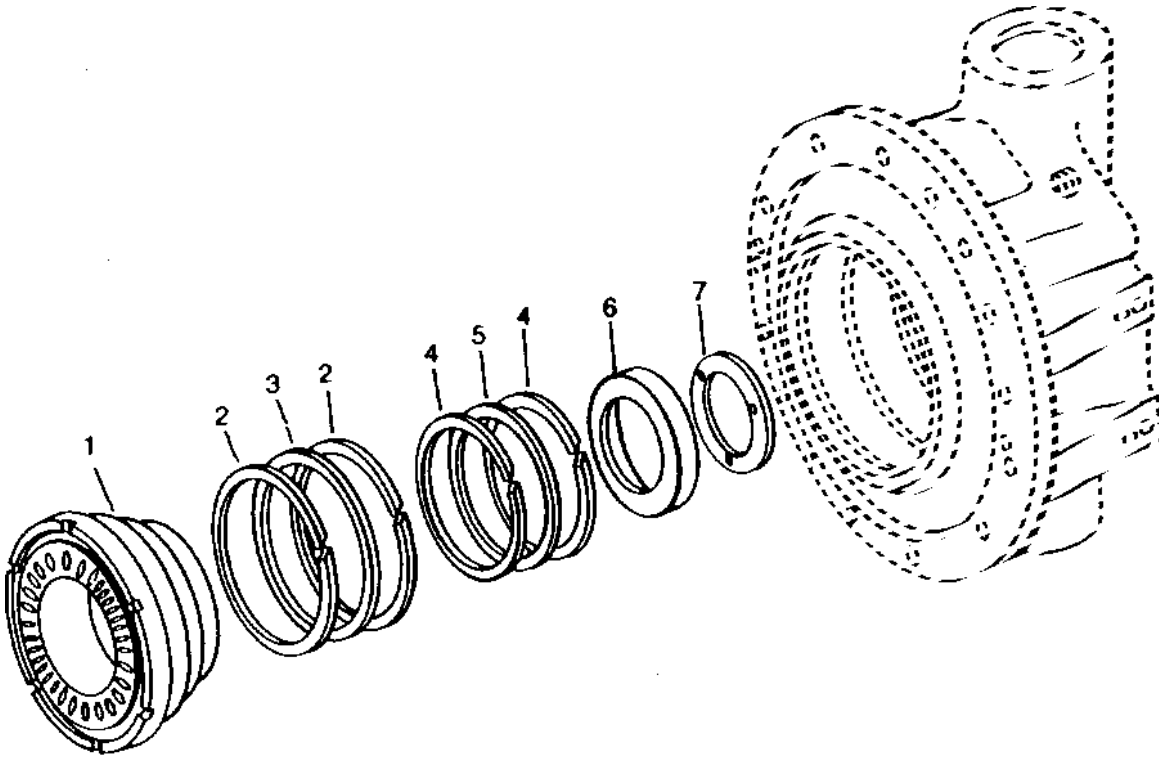
INNER COVER - CONTINUED

KEY	PART NO.	PART NAME	QTY	SERIAL NO.	REMARKS
1	U11647	O-RING	2		
2	R73102	WASHER	2		
3	AR86539	SEAL	2		
4	R68102	BUSHING	2		
5	R26650	DOWEL PIN	2		
6	RE39131	COVER	1		(MARKED R93105)
7	R71711	DOWEL PIN	1		

2C23

POWER TRAIN

MANIFOLD AND PACKING
RXP7841 -UN-01JAN94



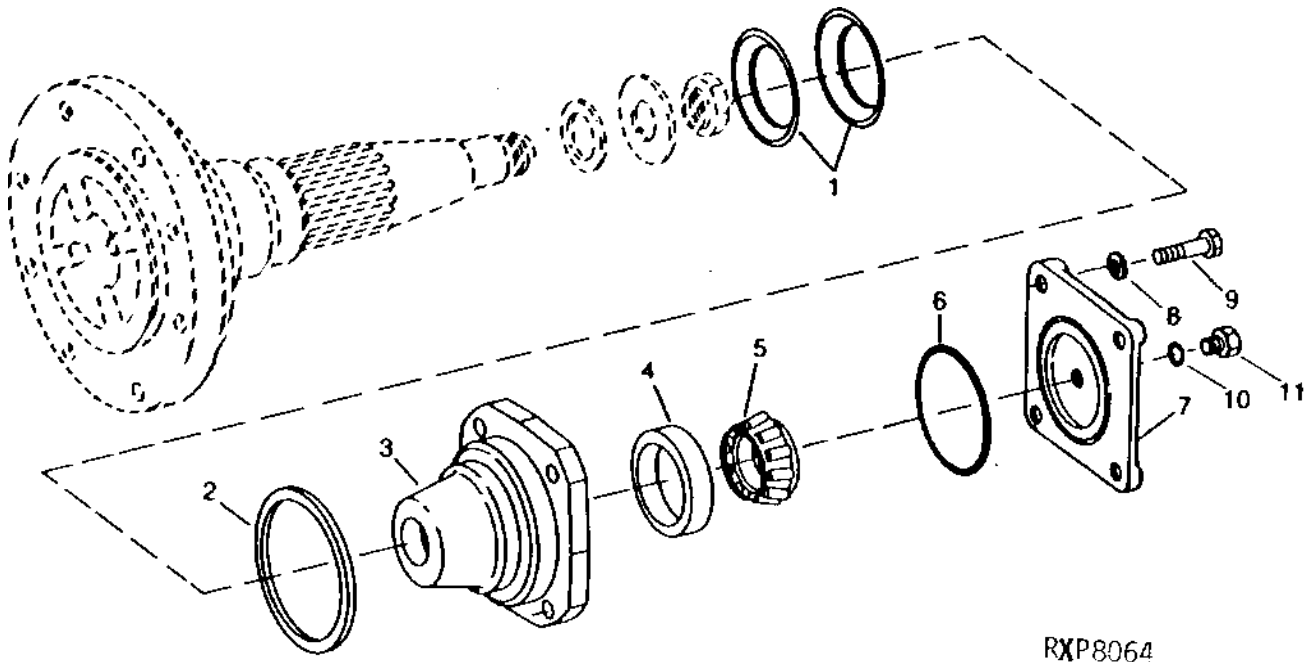
RXP7841

KEY	PART NO.	PART NAME	QTY	SERIAL NO.	REMARKS
1	R99377	MANIFOLD	1		
2	R74690	BACK-UP RING	2		
3	R74696	WASHER	1		
4	R74689	BACK-UP RING	2		
5	R74697	WASHER	1		
6	R74693	PACKING	1		ALSO FURNISH R74694
7	R74694	BACK-UP RING	1		ALSO FURNISH R74693

2C24

POWER TRAIN

QUILL, BEARING AND COVER
RXP8064 -UN-01JAN94

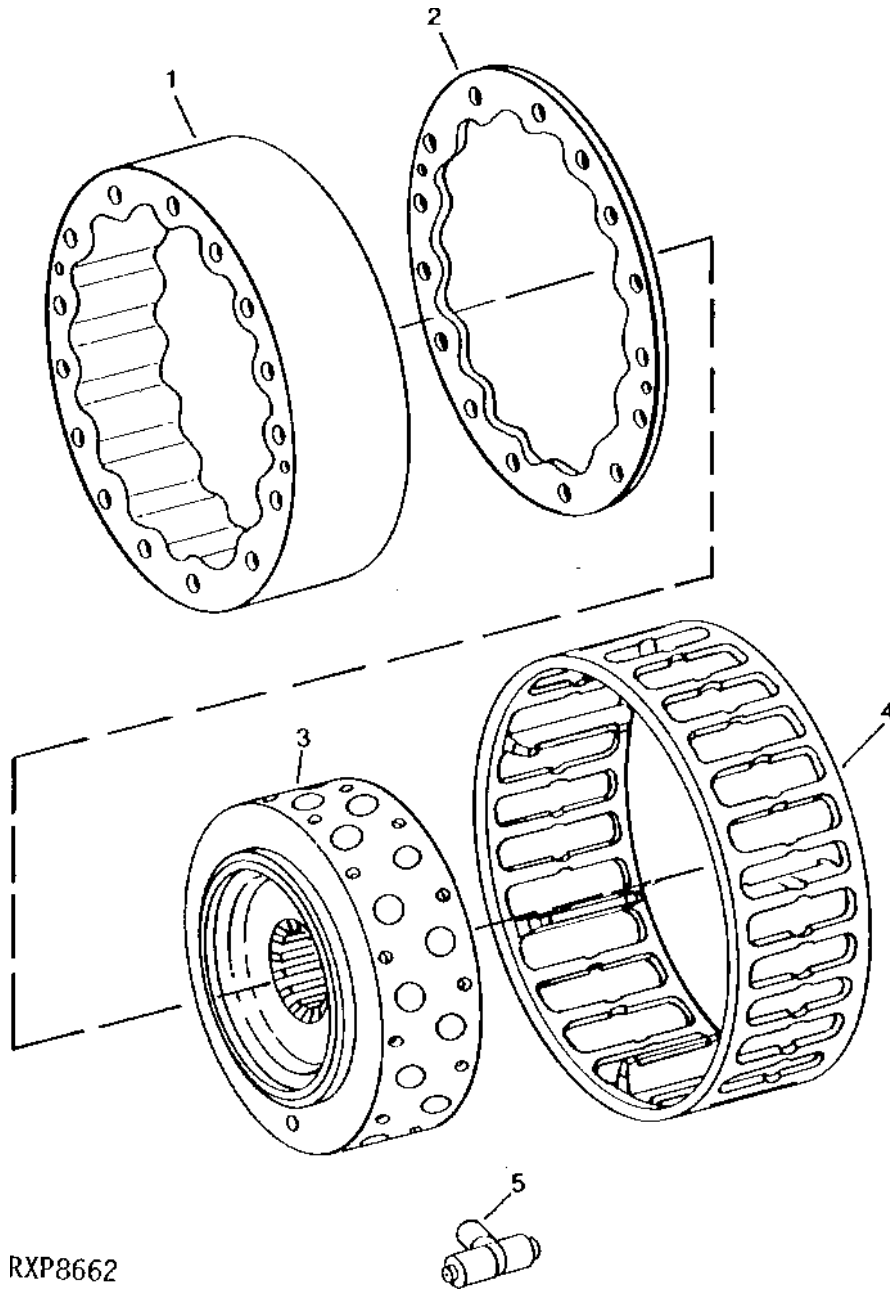


RXP8064

KEY	PART NO.	PART NAME	QTY	SERIAL NO.	REMARKS
1	R85588	WASHER	2		
2	R39876	PACKING	1		
3	R92104	BEARING HOUSING W/O BEARING	1		
4	JD9109	BEARING CUP	1		
5	JD9043	BEARING CONE	1		
6	E55758	O-RING	1		113.970 X 2.616 MM (4.487" X 0.103")
7	R92387	COVER	1		
8	R69536	WASHER	6		
9	19H3267	CAP SCREW	6		3/8" X 1-5/8"
10	R28782	O-RING	1		8.915 X 1.829 MM (0.351" X 0.072")
11	R51031	FITTING	1		

2D1

CARRIER, PISTONS AND CAM
RXP8662 -UN-01JAN94



RXP8662

2D2

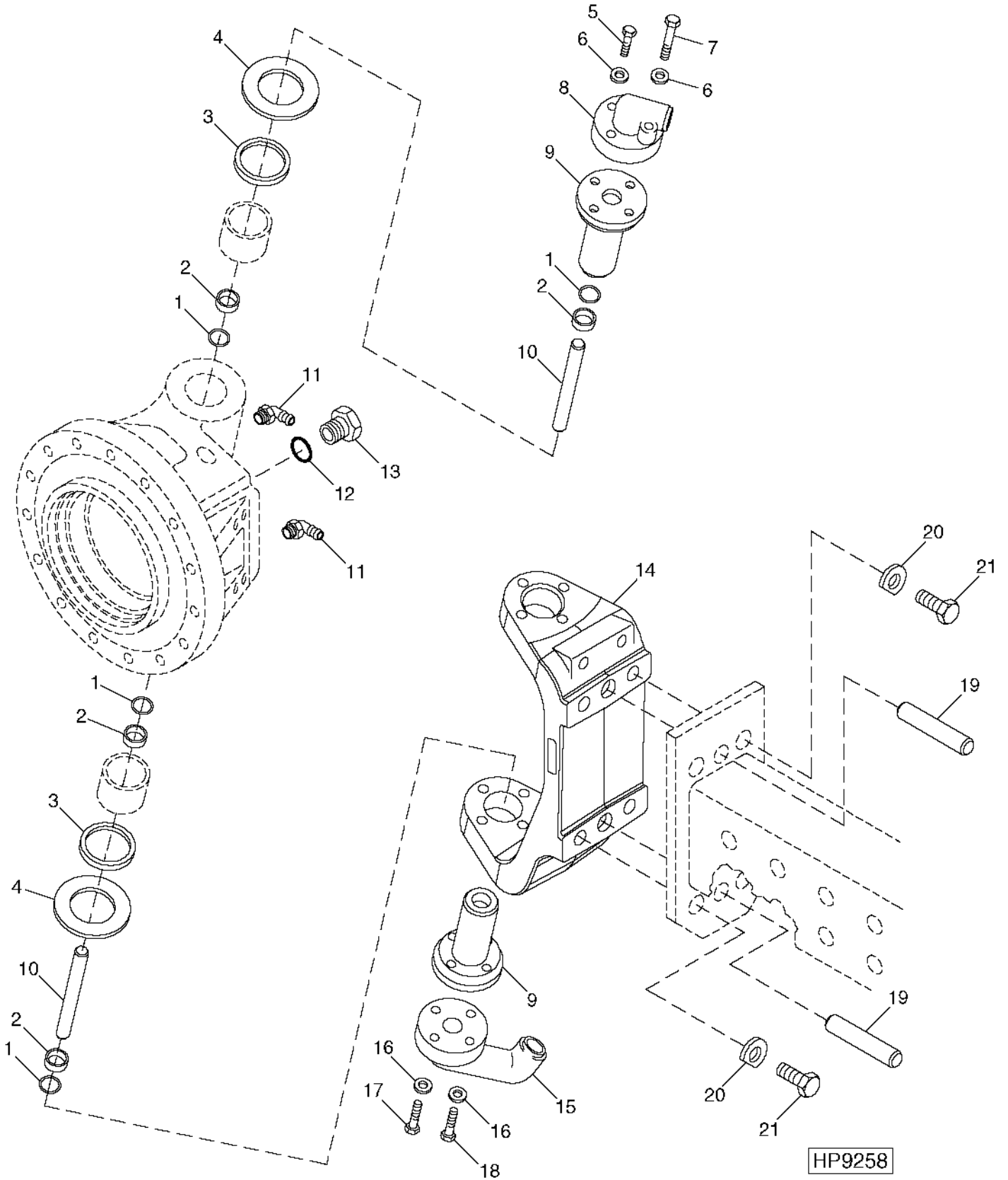
POWER TRAIN

CARRIER, PISTONS AND CAM (1200 CC)-CONTINUED

KEY	PART NO.	PART NAME	QTY	SERIAL NO.	REMARKS
1	R92148	CAM	1		
2	R93142	GASKET	1		
3	R88959	HYD. MOTOR PISTON CARRIER	1		
4	R92979	GUIDE	1		
5	RE27837	HYD. MOTOR PISTON CARRIER	18		

2D3

YOKE, PIVOTS AND CAPS
HP9258 -UN-12NOV99



HP9258

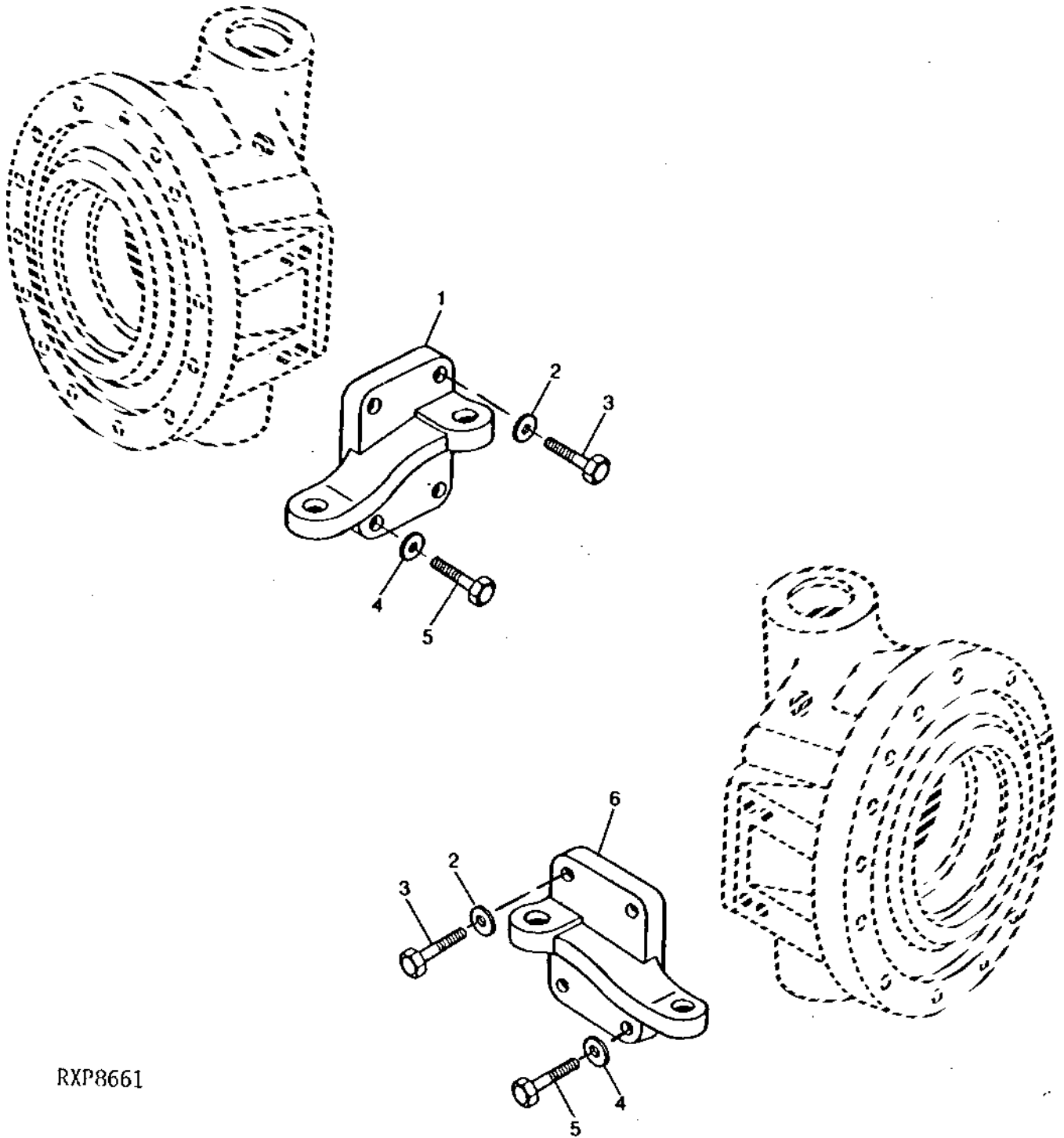
2D4

YOKE, PIVOTS AND CAPS - CONTINUED

KEY	PART NO.	PART NAME	QTY	SERIAL NO.	REMARKS
1	U11647	O-RING	4		21.819 X 3.531 MM (55/64" X 0.139")
2	R73102	WASHER	4		
3	AR86539	SEAL	2		
4	R60239	THRUST WASHER	2		
5	19H3267	CAP SCREW	2		3/8" X 1-5/8"
6	R69536	WASHER	4		
7	19H2855	CAP SCREW	2		3/8" X 3-1/4"
8	R85374	CAP	1		
9	R85376	PIN	2		
10	R85378	TUBE	2		
11	JD7799	LUBRICATION FITTING	3		65° X 0.840" LONG, (SUB FOR JD7847)
12	R26375	O-RING	1		16.358 X 2.210 MM (0.644" X 0.087")
13	R39112	FITTING	1		
14	R89015	YOKE	1		
15	R85373	CAP	1		
16	R69536	WASHER	4		
17	19H3267	CAP SCREW	2		
18	19H3031	CAP SCREW	2		
19	H75423	PIN	2		
20	H144293	WASHER	4		
21	19H3126	CAP SCREW	4		3/4" X 2-1/4"

2D5

STEERING ARMS
RXP8661 -UN-01JAN94



RXP8661

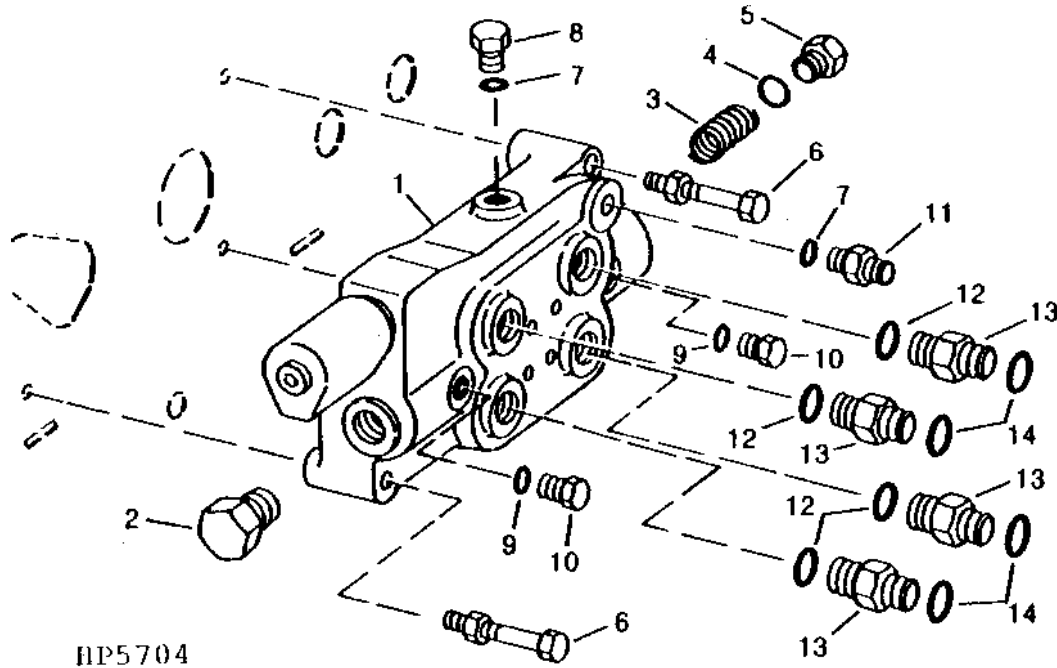
2D6

POWER TRAIN

STEERING ARMS - CONTINUED

KEY	PART NO.	PART NAME	QTY	SERIAL NO.	REMARKS
1	R92977	STEERING ARM	1		L.H.
2	U41353	WASHER	2		
3	19H2710	CAP SCREW	2		5/8" X 1-3/4"
4	R32214	WASHER	2		
5	19H2993	CAP SCREW	2		1/2" X 1-1/2"
6	R92978	STEERING ARM	1		R.H.

**CONTROL VALVE
(4-WHEEL DRIVE)**
HP5704 -UN-01JAN94

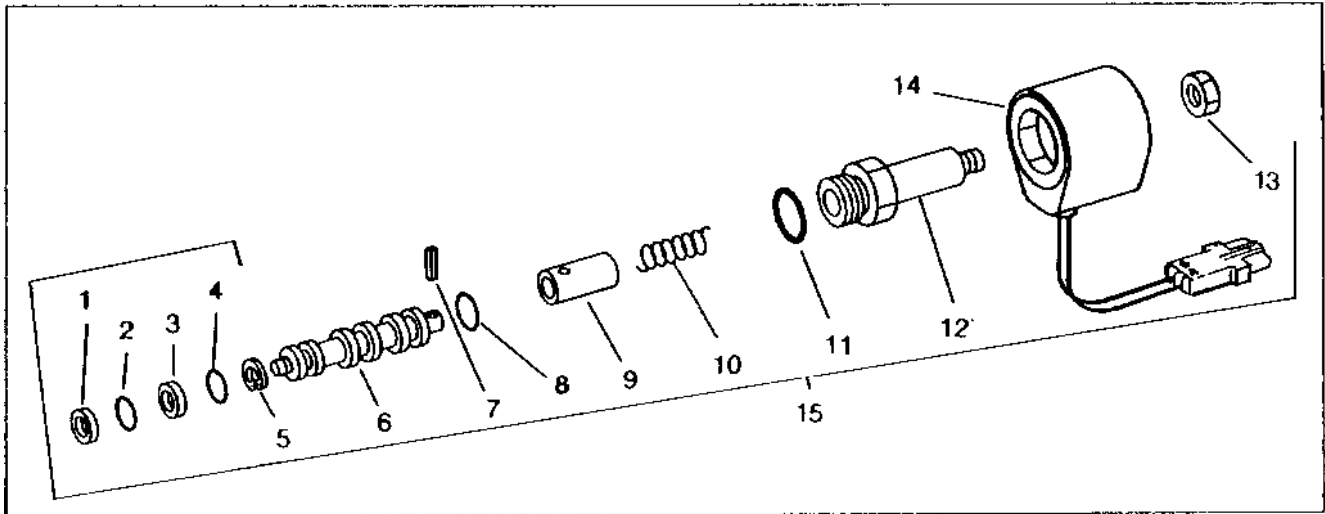


KEY	PART NO.	PART NAME	QTY	SERIAL NO.	REMARKS
1	AH128672	VALVE	1		CONTROL WITH SOLENOID
2	AU40993	FITTING	1		
3	R45182	SPRING	1		
4	R31674	O-RING	1		25.070 X 2.616 MM (0.987" X 0.103")
5	AH84695	FITTING	1		
6	14M7298	FLANGE NUT	3		M8
	19M7803	SCREW	3		M8 X 70
7	R26448	O-RING	2		11.887 X 1.981 MM (0.468" X 5/64")
8	R27218	FITTING PLUG	1		
9	R28782	O-RING	2		8.915 X 1.829 MM (0.351" X 0.072")
10	R51031	FITTING	2		
11	38H1168	ADAPTER	1		
12	U12547	O-RING	4		23.470 X 2.946 MM (0.924" X 0.116")
13	38H1329	ADAPTER	4		
14	T77932	O-RING	4		15.596 X 1.778 MM (0.614" X 0.070")
..	BH79903	COMPLETE GOODS/SHIP. BUNDLE	1		VALVE ASSY AND AXLE HOSES
..	BH71746	COMPLETE GOODS/SHIP. BUNDLE	1		4-WHEEL DRIVE CONVERSION

CONTROL VALVE SOLENOID

(4-WHEEL DRIVE)

HP2880 -UN-01JAN94



HP2880

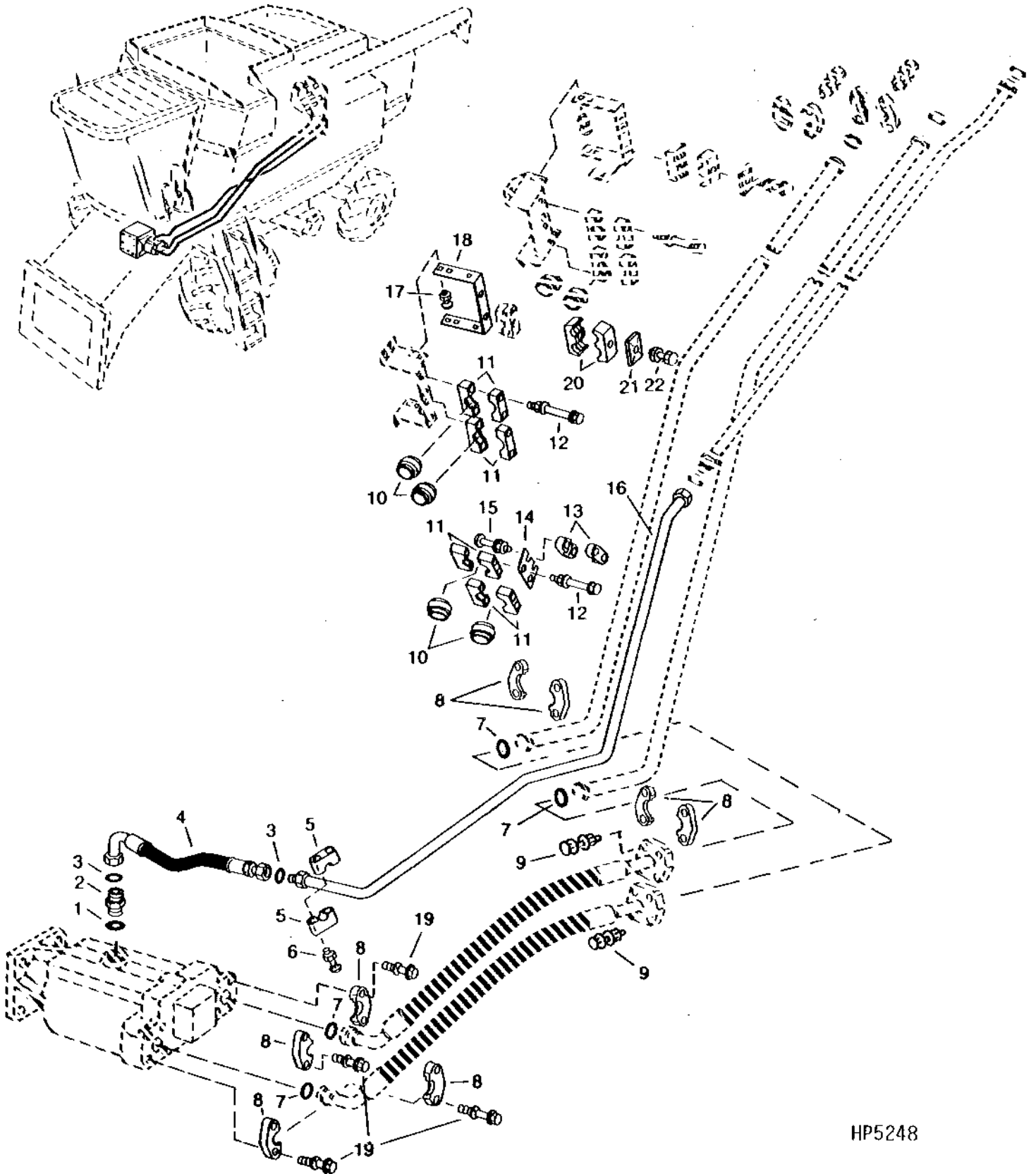
16

KEY	PART NO.	PART NAME	QTY	SERIAL NO.	REMARKS
1	R42926	BACK-UP RING	1		
2	T77857	O-RING	1		
3	R45187	BACK-UP RING	1		
4	R45638	O-RING	1	15.596 X 1.778 MM (0.614" X 0.070")	
5	R46701	SNAP RING	1		
6	VALVE SPOOL	1		
7	34H227	SPRING PIN	1	3/32" X 1/2"	
8	N31772	O-RING	1	18.771 X 1.778 MM (0.739" X 0.070")	
9	PLUNGER	1		
10	R64698	SPRING	1		
11	U12547	O-RING	1	23.470 X 2.946 MM (0.924" X 0.116")	
12	GUIDE	1		
13	M63707	LOCK NUT	1		
14	AH128654	ELECTRICAL COIL	1		
	R78053	PIN CONTACT CONNECTOR BODY	1		(PKG OF 3)
	R78059	ELECTRICAL PLUG	1		(PKG OF 40)
	R78061	PIN CONTACT	1		(PKG OF 40)
15	AH130949	SOLENOID VALVE	1		
16	AH128655	SOLENOID VALVE	1		
..	BH71746	COMPLETE GOODS/SHIP. BUNDLE	1		4-WHEEL DRIVE CONVERSION
..	BH71883	COMPLETE GOODS/SHIP. BUNDLE	1		4-WHEEL DRIVE CONVERSION

2D9

HYDROSTATIC DRIVE OIL LINES AND HOSES, LOWER (TWO AND FOUR WHEEL DRIVE)

HP5248 -UN-01JAN94



HP5248

2D10

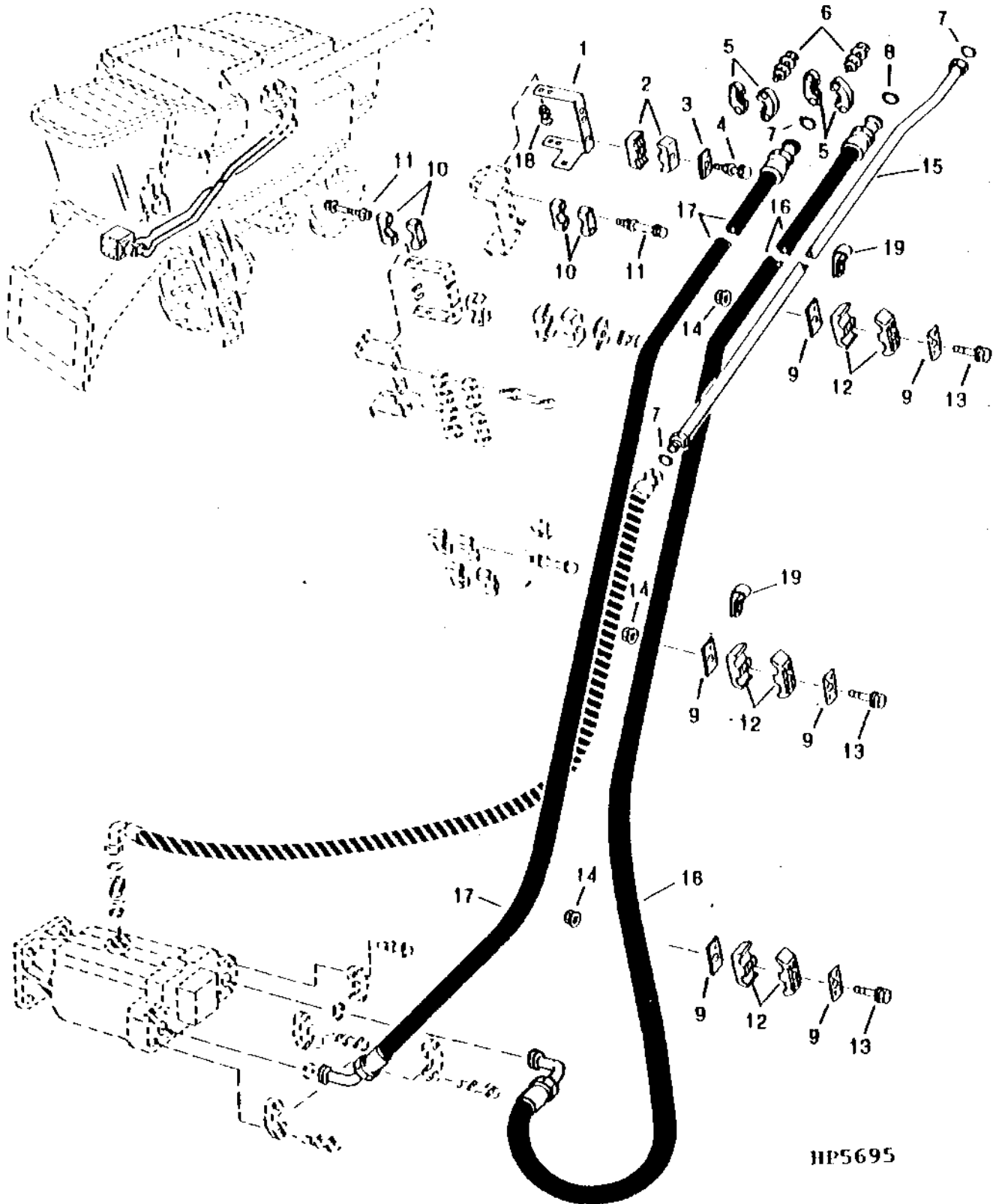
POWER TRAIN

**HYDROSTATIC DRIVE OIL LINES AND HOSES, LOWER - CONTINUED
(TWO AND FOUR WHEEL DRIVE)**

KEY	PART NO.	PART NAME	QTY	SERIAL NO.	REMARKS
1	U12547	O-RING	1		23.470 X 2.946 MM (0.924" X 0.116")
2	38H1163	ADAPTER	1		
3	T77858	O-RING	4		18.771 X 1.778 MM (0.739" X 0.070")
4	AH142611	HYDRAULIC HOSE	1		1-3/16" X 1 924 MM (75-3/4") X 1-3/16" (CASE DRAIN)
5	H114897	CLAMP	2		
6	19M7913	SCREW	1		
	14M7298	FLANGE NUT	1		M8
7	T78313	O-RING	6		32.918 X 3.531 MM (1.296" X 0.139")
8	H122182	EXTERNAL HALF COUPLER	8		
9	19M7970	SCREW	1		M8 X 100
10	H114901	PLATE	6		
11	H150223	HOSE CLAMP	8		
12	19M8039	SCREW	13		M8 X 80
	14M7396	LOCK NUT	13		M8
13	T72393	CLAMP	3		
14	H112567	PLATE	1		
15	H150222	HOSE CLAMP	6		
16	19M7913	SCREW	2		M8 X 90
	14M7298	FLANGE NUT	2		M8
17	03M7184	BOLT	8		M8 X 20
	14M7396	LOCK NUT	8		M8
18	H131115	BRACKET	1		
19	19H1740	CAP SCREW	8		7/16" X 1-3/4"
	12H293	LOCK WASHER	8		7/16"
20	H114897	CLAMP	2		
21	H112567	PLATE	1		
22	19M7913	SCREW	1		M8 X 90
	14M7298	FLANGE NUT	1		M8

**HYDROSTATIC DRIVE OIL LINES AND HOSES, LOWER
(FOUR WHEEL DRIVE)**

HP5695 -UN-01JAN94



HP5695

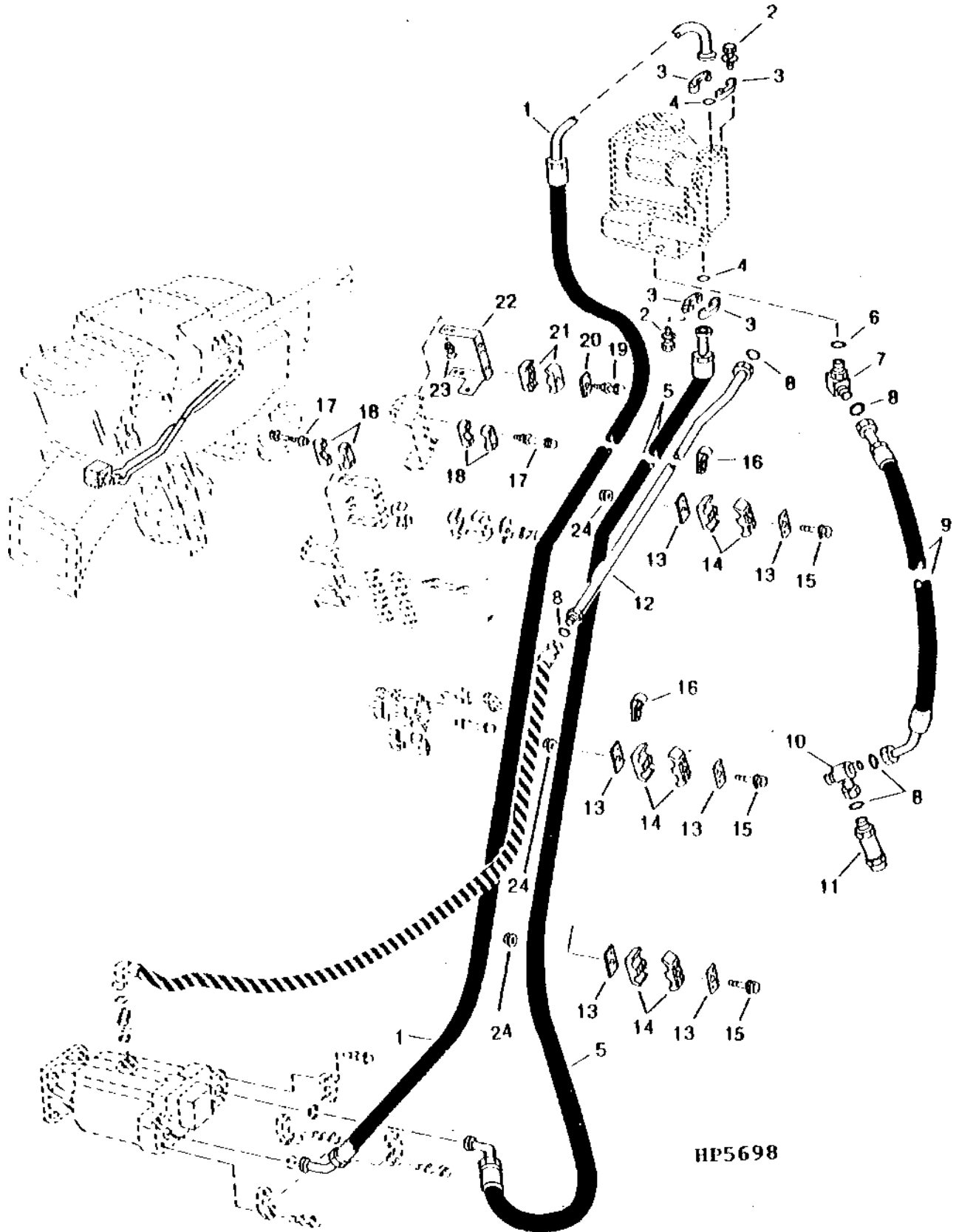
**HYDROSTATIC DRIVE OIL LINES AND HOSES, LOWER - CONTINUED
(FOUR WHEEL DRIVE)**

KEY	PART NO.	PART NAME	QTY	SERIAL NO.	REMARKS
1	H133659	BRACKET	1		
2	H111730	CLAMP	2		
3	H112567	PLATE	1		
4	19M7979	SCREW	1	M8 X 55	
	14M7298	FLANGE NUT	1	M8	
5	H122182	EXTERNAL HALF COUPLER	4		
6	19H3465	CAP SCREW	8	7/16" X 3"	
	T105740	WASHER	16		
	14H1047	NUT	8	7/16"	
7	T77858	O-RING	2	18.771 X 1.778 MM (0.739" X 0.070")	
8	T78313	O-RING	2	32.918 X 3.531 MM (1.296" X 0.139")	
9	H114901	PLATE	6		
10	H150223	HOSE CLAMP	4		
11	19M8039	SCREW	5	M8 X 80	
	14M7298	FLANGE NUT	5	M8	
12	H150222	HOSE CLAMP	6		
13	19M7970	SCREW	3	M8 X 100	
14	14M7298	FLANGE NUT	3	M8	
15	AH127881	OIL LINE	4		
16	AH143353	HYDRAULIC HOSE	1	1" X 4 375 MM (172-1/4") X 1", FORWARD PRESSURE	
17	AH142758	HYDRAULIC HOSE	1	1" X 3 875 MM (152-1/2") X 1", REVERSE PRESSURE	
18	03M7184	BOLT	4	M8 X 20	
	14M7396	LOCK NUT	4	M8	
19	T72393	CLAMP	2		
..	BH79964	COMPLETE GOODS/SHIP. BUNDLE	1		4-WHEEL DRIVE HYD. HOSE CONVERSION

2D13

HYDROSTATIC DRIVE OIL LINES AND HOSES, LOWER (TWO WHEEL DRIVE)

HP5698 -UN-01JAN94



HP5698

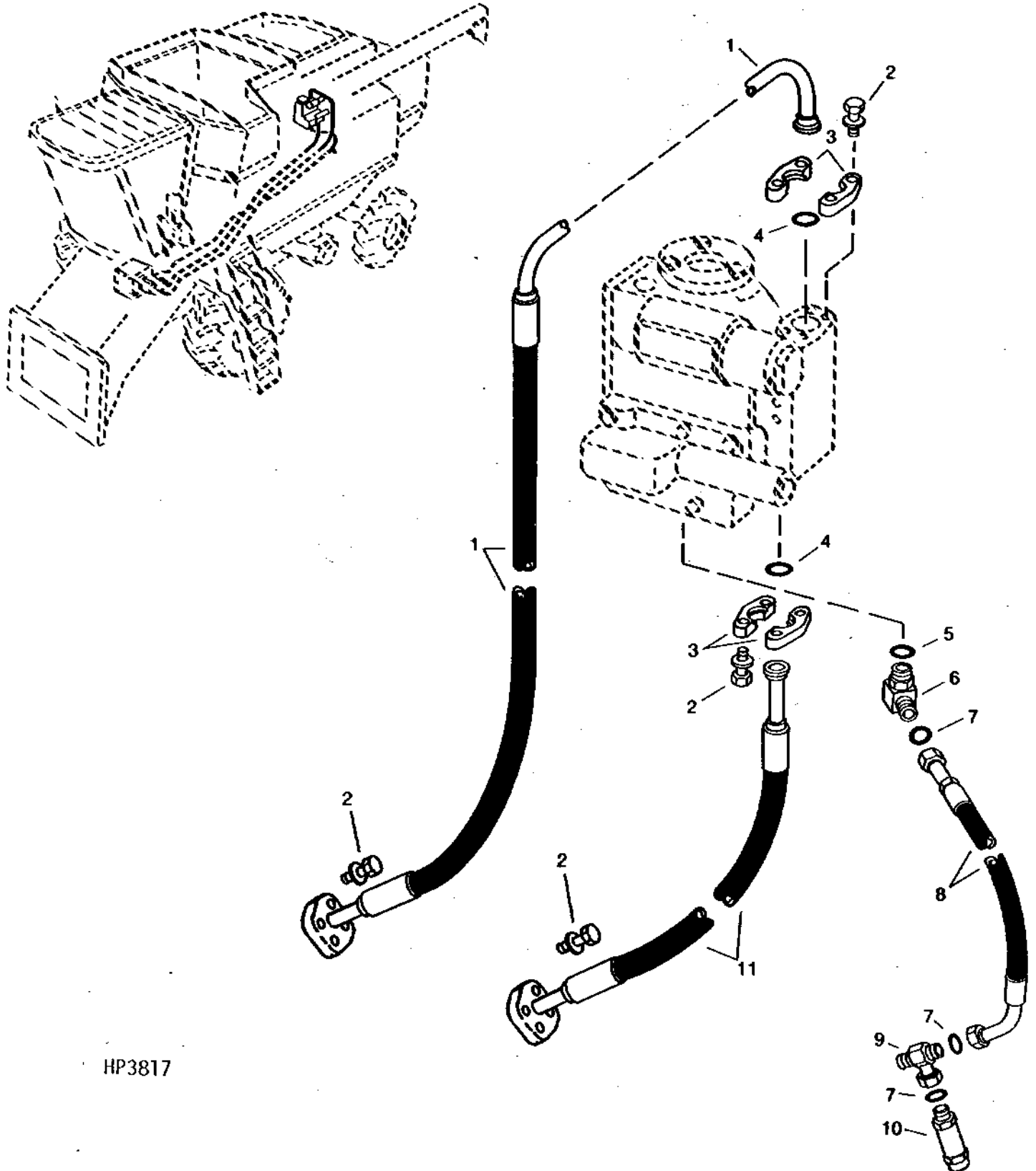
**HYDROSTATIC DRIVE OIL LINES AND HOSES, LOWER - CONTINUED
(TWO WHEEL DRIVE)**

KEY	PART NO.	PART NAME	QTY	SERIAL NO.	REMARKS
1	AH143035	HYDRAULIC HOSE	1		1" X 5 000 MM (196-3/4") X 1", (REVERSE PRESSURE)
2	19H1740	CAP SCREW	8		7/16" X 1-3/4"
	12H293	LOCK WASHER	8		7/16"
3	H122182	EXTERNAL HALF COUPLER	4		
4	T78313	O-RING	2		32.918 X 3.531 MM
5	AH143352	HYDRAULIC HOSE	4		1" X 5 175 MM (203-3/4") X 1", (FORWARD PRESSURE)
6	U12547	O-RING	1		0.924" X 0.116"
7	38H1007	ELBOW FITTING	1		
8	T77858	O-RING	3		18.771 X 1.778 MM (0.739" X 0.070")
9	AH124008	HYDRAULIC HOSE	1		1-3/16" X 725 MM (28-1/2") X 1-3/16", (UPPER DRAIN HOSE)
10	38H1041	TEE FITTING	1		
11	AH118337	CHECK VALVE	1		
12	AH127881	OIL LINE	1		
13	H114901	PLATE	6		
14	H150222	HOSE CLAMP	6		
15	19M7970	SCREW	3		M8 X 100
16	T72393	CLAMP	2		
17	19M8039	SCREW	5		M8 X 80
	14M7298	FLANGE NUT	5		M8
18	H150223	HOSE CLAMP	4		
19	19M7979	SCREW	1		M8 X 55
	14M7298	FLANGE NUT	1		M8
20	H112567	PLATE	1		
21	H111730	CLAMP	2		
22	H133659	BRACKET	1		
23	03M7184	BOLT	4		M8 X 20
	14M7396	LOCK NUT	4		M8
24	14M7298	FLANGE NUT	3		M8

2D15

POWER TRAIN

HYDROSTATIC DRIVE HOSES, UPPER
(FOUR WHEEL DRIVE)
HP3817 -UN-01JAN94



HP3817

2D16

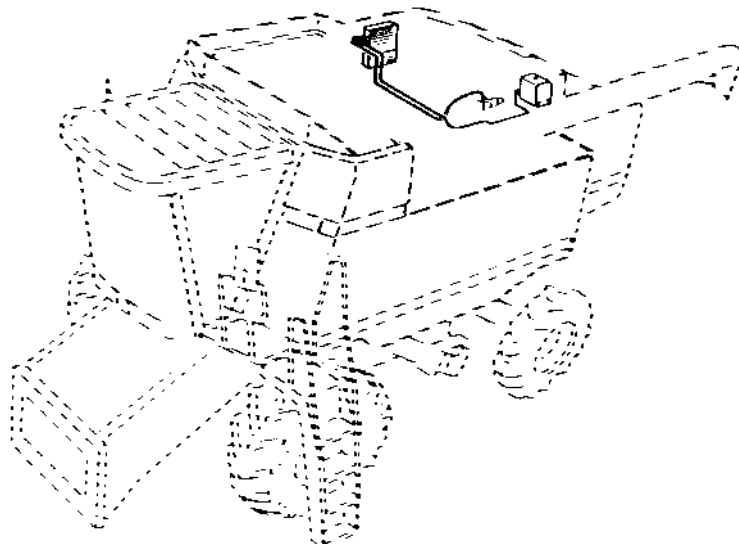
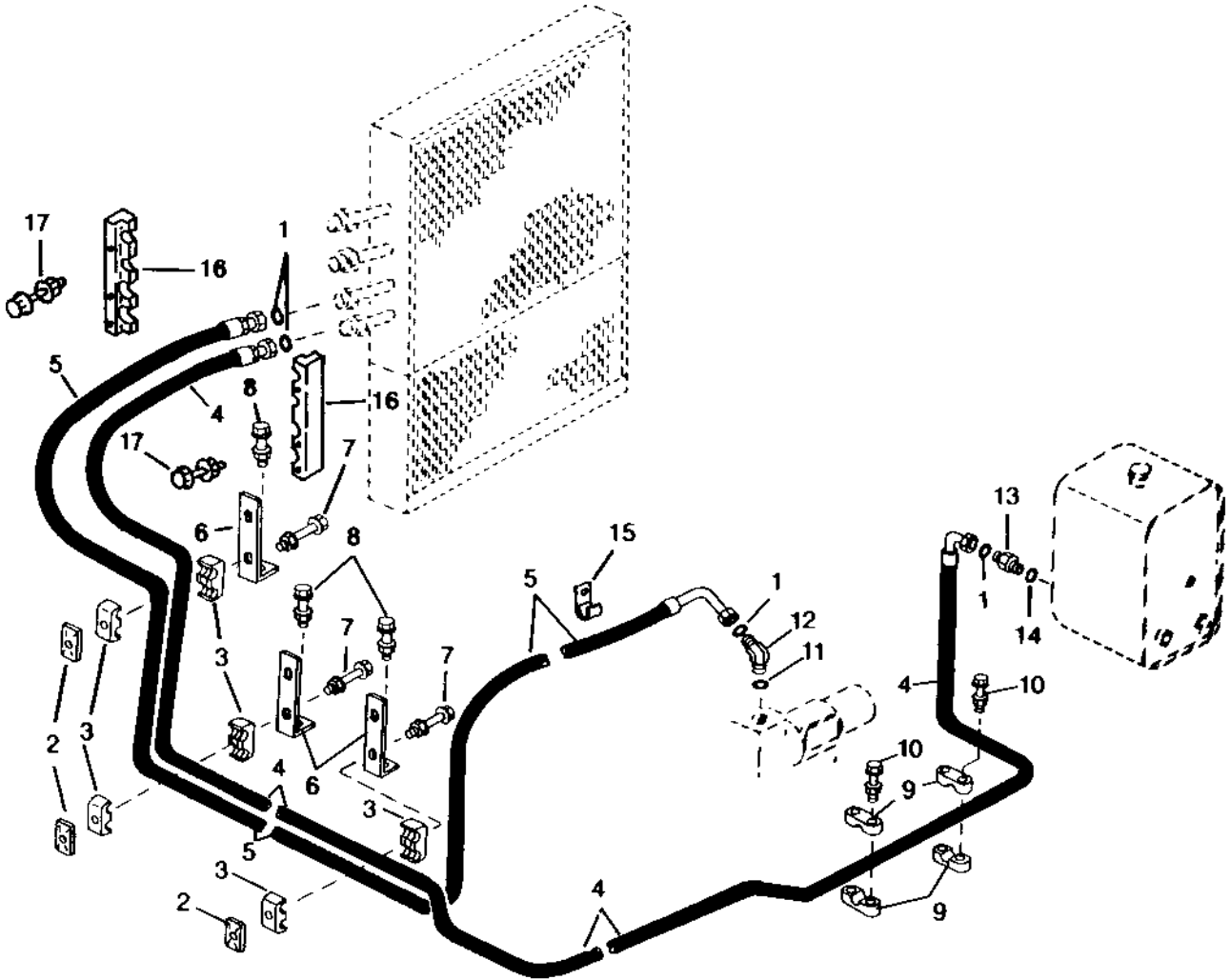
POWER TRAIN

**HYDROSTATIC DRIVE HOSES, UPPER - CONTINUED
(FOUR WHEEL DRIVE)**

KEY	PART NO.	PART NAME	QTY	SERIAL NO.	REMARKS
1	AH144192	HYDRAULIC HOSE	1		1" X 975 MM (38-1/2") X 1"
2	19H1740	CAP SCREW	8		7/16" X 1-3/4"
	12H293	LOCK WASHER	8		7/16"
3	H122182	EXTERNAL HALF COUPLER	4		
4	T78313	O-RING	2		32.918 X 3.531 MM (1.296" X 0.139")
5	U12547	O-RING	1		23.470 X 2.946 MM (0.924" X 0.116")
6	38H1007	ELBOW FITTING	1		
7	T77858	O-RING	3		18.771 X 1.778 MM (0.739" X 0.070")
8	AH124008	HYDRAULIC HOSE	1		1-3/16" X 725 MM (28-1/2") X 1-3/16" (UPPER CASE DRAIN)
9	38H1041	TEE FITTING	1		
10	AH118337	CHECK VALVE	1		
11	AH141544	HYDRAULIC HOSE	1		1-7/16" X 700 MM (27-1/2") X 1-7/16" (PRESSURE)(FOR 4 WHEEL DRIVE)
	AH144194	HOSE	1		1" X 4 785 MM (188-1/2") X 1", (PRESSURE) (FOR 2 WHEEL DRIVE)
..	BH79964	COMPLETE GOODS/SHIP. BUNDLE	1		4-WHEEL DRIVE HYD HOSE CONVERSION

HYDROSTATIC OIL COOLER LINES AND HOSES

HP6090 -UN-14JUN95



HP6090

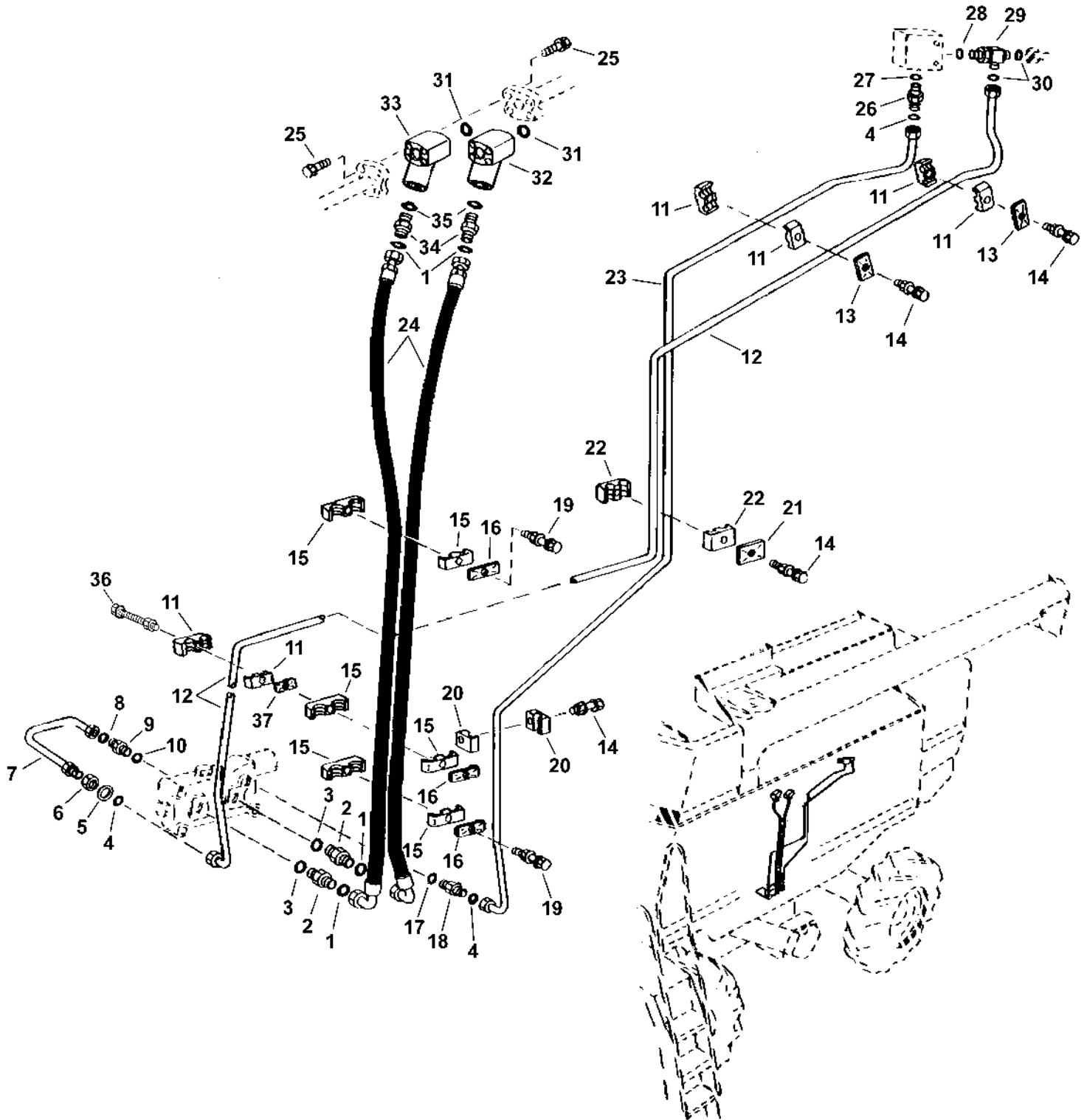
HYDROSTATIC OIL COOLER LINES AND HOSES - CONTINUED

KEY	PART NO.	PART NAME	QTY	SERIAL NO.	REMARKS
1	T77858	O-RING	4		
2	H114901	PLATE	3		
3	H150982	CLAMP	5		
4	AH145235	HYDRAULIC HOSE	1		
5	AH145237	HYDRAULIC HOSE	1		
6	H150980	BRACKET	3		
7	19M8039	SCREW	3		M8 X 80
	14M7298	FLANGE NUT	3		M8
8	19M7866	SCREW	3		M8 X 20
	14M7298	FLANGE NUT	3		M8
9	H145247	HALF CLAMP	4		
10	19M7801	SCREW	2		M8 X 60
	14M7298	FLANGE NUT	2		M8
11	U12547	O-RING	1		23.470 X 2.946 MM
12	38H1163	ADAPTER	1		
13	38H1194	ADAPTER	1		
14	R29936	O-RING	1		
15	AH90990	CLIP	1		
16	H151585	CLAMP	2		
17	19M8318	SCREW	6		M8 X 45
	14M7298	FLANGE NUT	6		M8

2D19

POWER TRAIN

4-WHEEL DRIVE HYDRAULIC LINES AND HOSES, L.H. SIDE HP7512 -UN-20APR98



HP7512

2D20

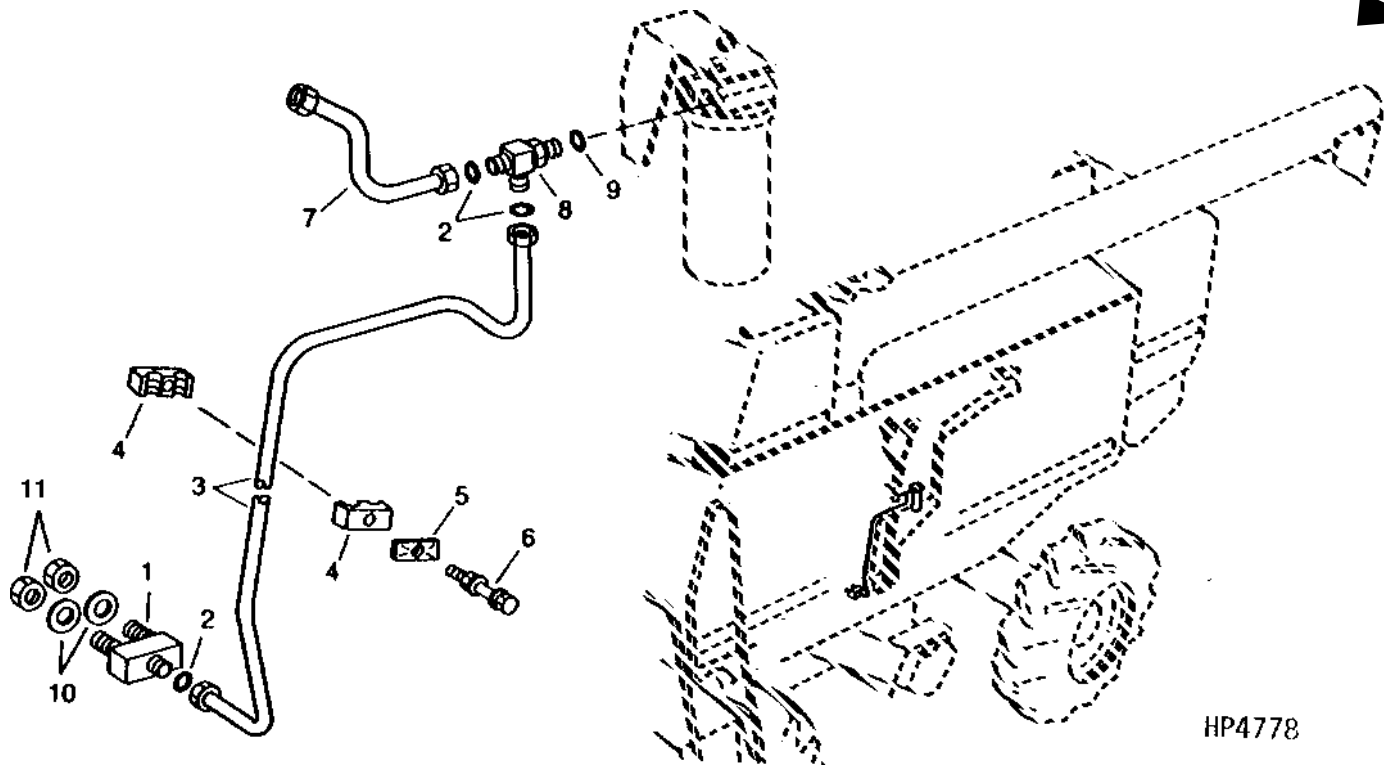
POWER TRAIN

4-WHEEL DRIVE HYDRAULIC LINES AND HOSES, L.H. SIDE - CONTINUED

KEY	PART NO.	PART NAME	QTY	SERIAL NO.	REMARKS
1	T77858	O-RING	4		
2	38H1163	ADAPTER	2		
3	U12547	O-RING	2		
4	T77613	O-RING	3		
5	24M7114	WASHER	1		19 X 30 X 4 MM
6	T81029	NUT	1		17.475 MM (11/16")
7	AH130611	HYDRAULIC LINE	1		
8	T77814	O-RING	1		
9	38H1168	ADAPTER	1		
10	R26448	O-RING	1		
11	H114865	CLAMP	6		
12	AH130447	OIL LINE	1		(RETURN)
13	H112567	PLATE	2		
14	03M7245	BOLT	4		M8 X 55
	14M7298	FLANGE NUT	4		M8
15	H114898	CLAMP	6		
16	H114901	PLATE	3		
17	R28782	O-RING	1		
18	38H1309	ADAPTER	1		
19	19M7396	CAP SCREW	2		M16 X 45
	14M7170	LOCK NUT	2		M16
20	H127589	CLAMP	2		
21	H121163	COVER	1		
22	H128515	CLAMP	2		
23	AH135620	OIL LINE	1		(PRESSURE)
24	AH139802	HYDRAULIC HOSE	2		
25	19M8162	CAP SCREW	16		M10 X 40
26	38H1160	ADAPTER	1		
27	R26448	O-RING	1		
28	R26375	O-RING	1		
29	38H1024	TEE FITTING	1		
30	T77857	O-RING	2		
31	T78313	O-RING	2		
32	AH133941	MANIFOLD	1		42 GPM, FWD PRESS.
33	AH133942	MANIFOLD	1		30 GPM, REV PRESS.
34	38H1329	ADAPTER	2		
35	R29936	O-RING	2		
36	14M7298	FLANGE NUT	1		M8
	19M8039	SCREW	1		M8 X 80
37	H131163	STRAP	1		

4-WHEEL DRIVE CASE DRAIN HYDRAULIC LINES

HP4778 -UN-01JAN94

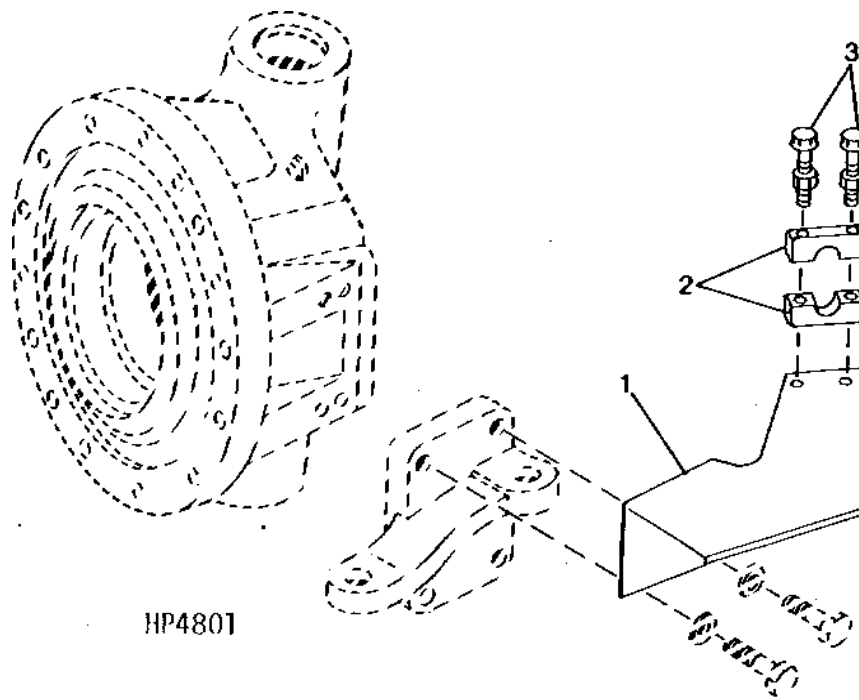


HP4778

KEY	PART NO.	PART NAME	QTY	SERIAL NO.	REMARKS
1	AH128692	MANIFOLD	1		(CASE DRAIN)
2	T77858	O-RING	3		18.771 X 1.778 MM (0.739" X 0.070")
3	AH130449	HYDRAULIC LINE	1		(CASE DRAIN RETURN)
4	H114865	CLAMP	2		
5	H112567	PLATE	1		
6	03M7245	BOLT	1	M8 X 55	
	14M7298	FLANGE NUT	1	M8	
7	AH126169	OIL LINE	1		(RETURN) (FROM VALVE STACK TO HYD FILTER)
8	38H1438	TEE FITTING	1		
9	R29936	O-RING	1		29.743 X 2.946 MM (1.171" X 0.116")
10	28H1152	BUSHING	2		1.278" X 1.660" X 3/8"
11	T78707	NUT	2		30.175 MM (1-3/16")
..	BH71746	COMPLETE GOODS/SHIP. BUNDLE	1		4-WHEEL DRIVE CONVERSION
..	BH71883	COMPLETE GOODS/SHIP. BUNDLE	1		4-WHEEL DRIVE CONVERSION
..	BH79904	COMPLETE GOODS/SHIP. BUNDLE	1		4-WHEEL DRIVE CONVERSION

MUD SHIELDS - POWERED REAR WHEELS

HP4801 -UN-01JAN94

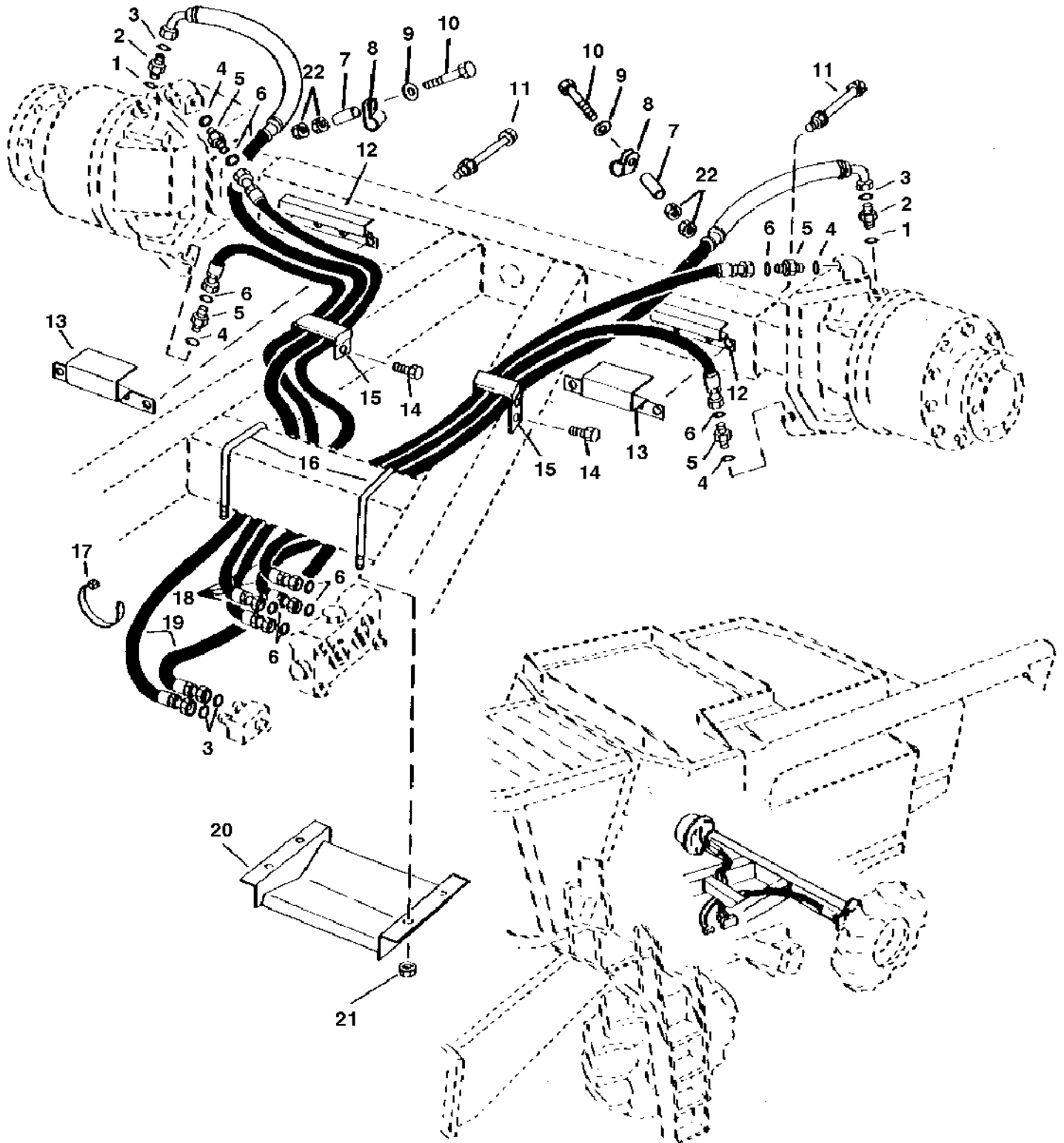


HP4801

KEY	PART NO.	PART NAME	QTY	SERIAL NO.	REMARKS
1	H146088	SHIELD	1		LEFT-HAND
	H146089	SHIELD	1		RIGHT-HAND
2	H145247	HALF CLAMP	2		
3	19M7801	SCREW	2		M8 X 60
	14M7298	FLANGE NUT	1		M8

**4-WHEEL DRIVE LINES AND HOSES
(FROM FLOW CONTROL VALVE TO CAM LOBE MOTORS)**

HP6822 -UN-12SEP97



HP6822

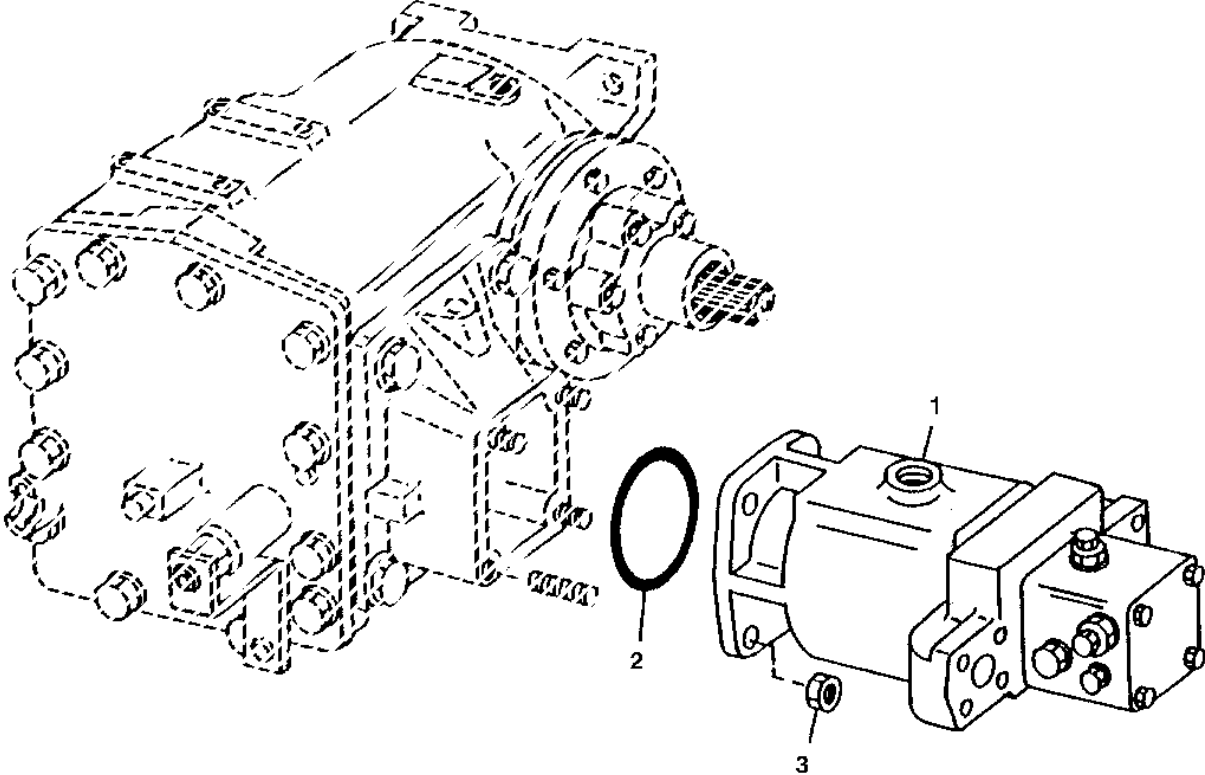
4-WHEEL DRIVE LINES AND HOSES - CONTINUED
(FROM FLOW CONTROL VALVE TO CAM LOBE MOTOR)

KEY	PART NO.	PART NAME	QTY	SERIAL NO.	REMARKS
1	R26375	O-RING	2		16.358 X 2.210 MM (0.644" X 0.087")
2	T77857	O-RING	2		
3	T77858	O-RING	4		18.771 X 1.778 MM (0.739" X 0.070")
4	U12547	O-RING	4		23.470 X 2.946 MM (0.924" X 0.116")
5	38H1329	ADAPTER	4		
6	T77932	O-RING	8		15.596 X 1.778 MM (0.614" X 0.070")
7	T25473	SPACER	2		
8	H145247	HALF CLAMP	4		
9	24H1305	WASHER	2		
10	19M7801	SCREW	4		M8 X 60
11	H121472	BOLT	4		
	14M7300	FLANGE NUT	4		M20
12	H131996	SHIELD	2		
13	H133671	SHIELD	2		
14	37M7092	SCREW	6		M8 X 16
15	AH117418	STRAP	2		
16	H133669	U-BOLT	2		
17	H113196	TIE BAND	1		
18	AH143406	HYDRAULIC HOSE	4		1" X 3 240 MM (127-1/2") X 1"
	AH143407	HYDRAULIC HOSE	2		1" X 3 375 MM (132-3/4") X 1", (CONVERSION)
19	AH139853	HYDRAULIC HOSE	2		1-3/16" X 3 900 MM (153-1/2") X 1-3/16", (CASE DRAIN)
	AH139854	HYDRAULIC HOSE	2		1-3/16" X 4 025 MM (158-1/2") X 1-3/16", (CONVERSION)
20	AH128757	SHIELD	1		
21	14M7296	FLANGE NUT	4		M10
22	14M7298	FLANGE NUT	4		M8
..	TY9473	ADHESIVE	1		ON KEY 10 AND HOLE
..	BH71746	COMPLETE GOODS/SHIP. BUNDLE	1		(4-WHEEL DRIVE CONVERSION)
..	BH71883	COMPLETE GOODS/SHIP. BUNDLE	1		(4-WHEEL DRIVE CONVERSION)
..	BH78881	COMPLETE GOODS/SHIP. BUNDLE	1		(SHIELDS)

2E1

HYDROSTATIC DRIVE MOTOR

HP6551 -UN-23AUG96



HP6551

2E2

POWER TRAIN

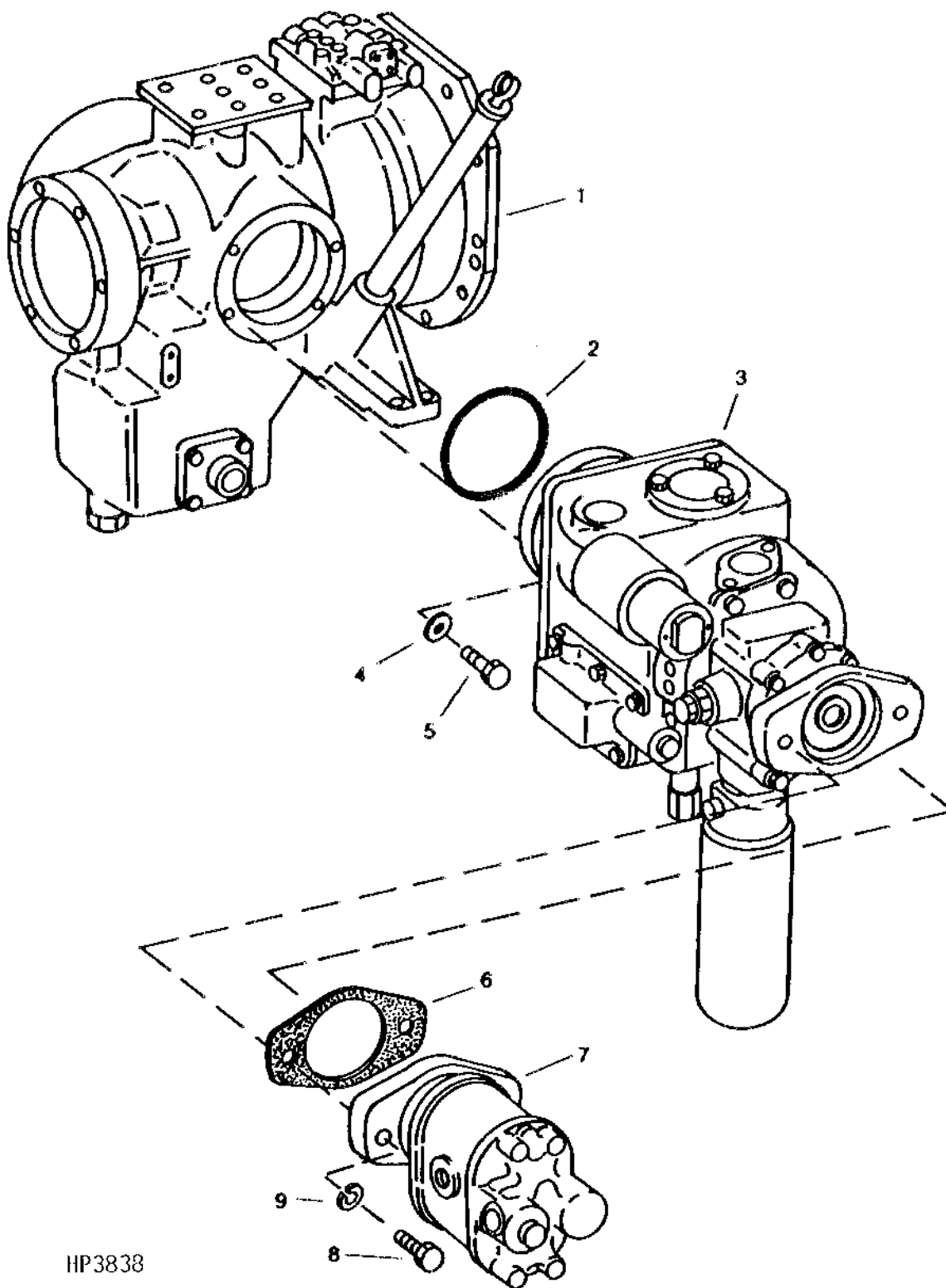
HYDROSTATIC DRIVE MOTOR - CONTINUED

KEY	PART NO.	PART NAME	QTY	SERIAL NO.	REMARKS
1	AH131310	MOTOR	1		
2	R63308	O-RING	1		120.015 X 5.334 MM (4.725" X 0.210") RING AND PINION
3	14M7029	NUT	4		M8

2E3

ENGINE GEARCASE - HYDROSTATIC DRIVE PUMP - MAIN HYDRAULIC PUMP CONNECTING HARDWARE

HP3838 -UN-01JAN94



HP3838

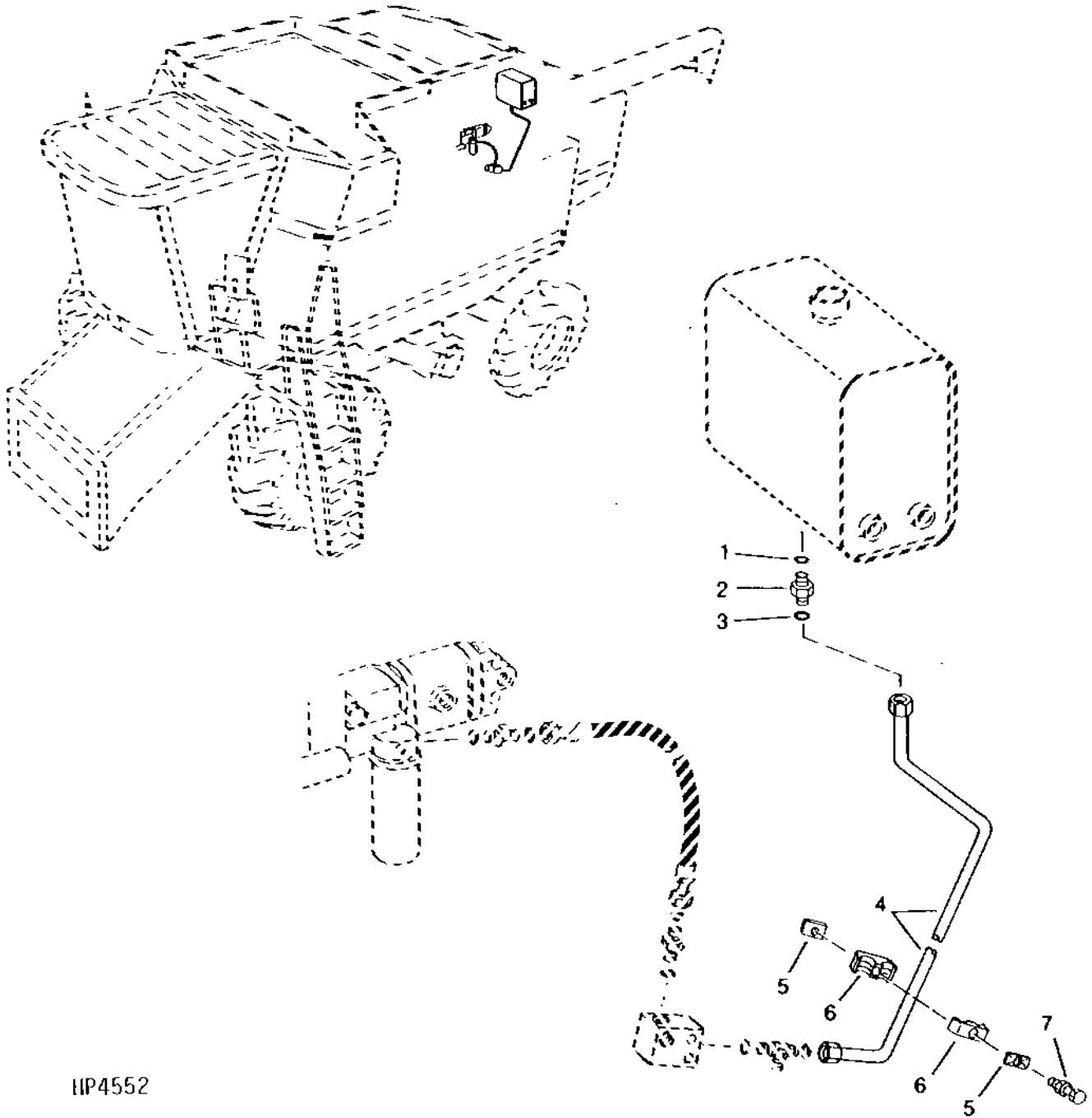
2E4

POWER TRAIN

ENGINE GEARCASE - HYDROSTATIC DRIVE PUMP - MAIN HYDRAULIC PUMP CONNECTING HARDWARE-CONTINUED

KEY	PART NO.	PART NAME	QTY	SERIAL NO.	REMARKS
1	AH134862	GEAR CASE	1		
2	R63308	O-RING	1		120.015 X 5.334 MM (4.725" X 0.210")
3	AH131305	PUMP	1		(SUB AH162785 AND E65288) RING AND PINION REMANUFACTURED
	AH160785	PUMP	1		REMANUFACTURED
4	T29342	WASHER	1		
5	19M7493	CAP SCREW	1		M12 X 40
6	H131121	GASKET	1		(SHOWN) (USE WITH AH131305)
	E65288	O-RING	1		(USE WITH AH160785)
7	AH131182	HYDRAULIC PUMP	1	-679999	(EATON CORP NO. R25380-RAG) REMANUFACTURED
	AH131183	HYDRAULIC PUMP	1	680000-	REMANUFACTURED
8	19H1732	CAP SCREW	4		3/8" X 1-1/4"
9	12H304	LOCK WASHER	4		3/8"

RETURN LINE TO RESERVOIR - 4-WHEEL DRIVE
HP4552 -UN-01JAN94



HP4552

2E6

POWER TRAIN

RETURN LINE TO RESERVOIR - 4-WHEEL DRIVE - CONTINUED

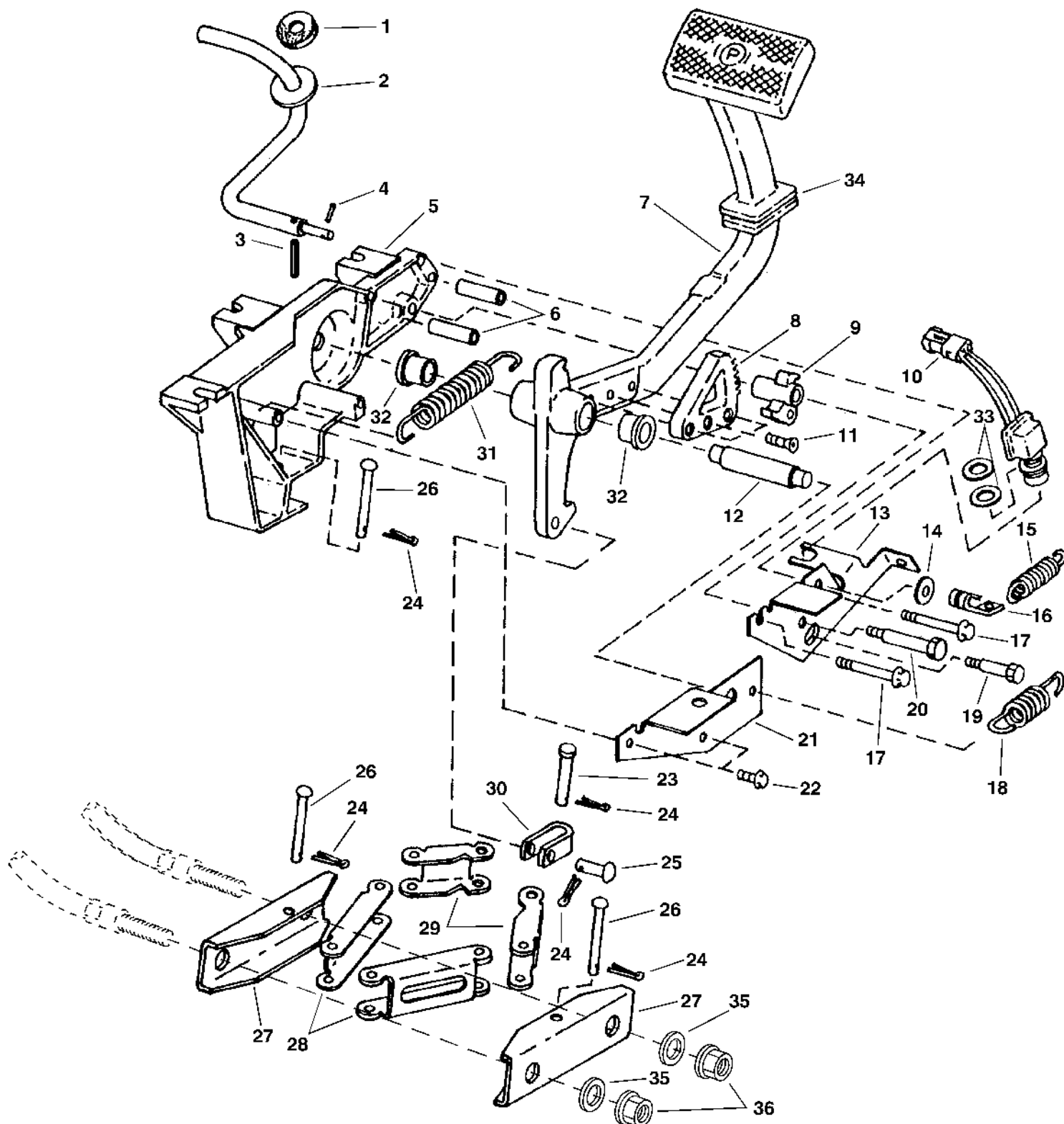
KEY	PART NO.	PART NAME	QTY	SERIAL NO.	REMARKS
1	R26448	O-RING	1		
2	38H1160	ADAPTER	1		11.887 X 1.981 MM (0.468" X 5/64")
3	T77613	O-RING	1		9.246 X 1.778 MM (0.364" X 0.070")
4	AH130445	HYDRAULIC LINE	1		
5	H112567	PLATE	2		
6	H114865	CLAMP	2		
7	19M7801	SCREW	1		M8 X 60
	14M7298	FLANGE NUT	1		M8
..	BH71746	COMPLETE GOODS/SHIP. BUNDLE	1		4-WHEEL DRIVE CONVERSION
..	BH71883	COMPLETE GOODS/SHIP. BUNDLE	1		4-WHEEL DRIVE CONVERSION

MEMORANDA

MEMORANDA

PARKING BRAKE PEDAL AND SEAL

HP6710 -UN-14MAY97



HP6710

2E10

STEERING AND BRAKES

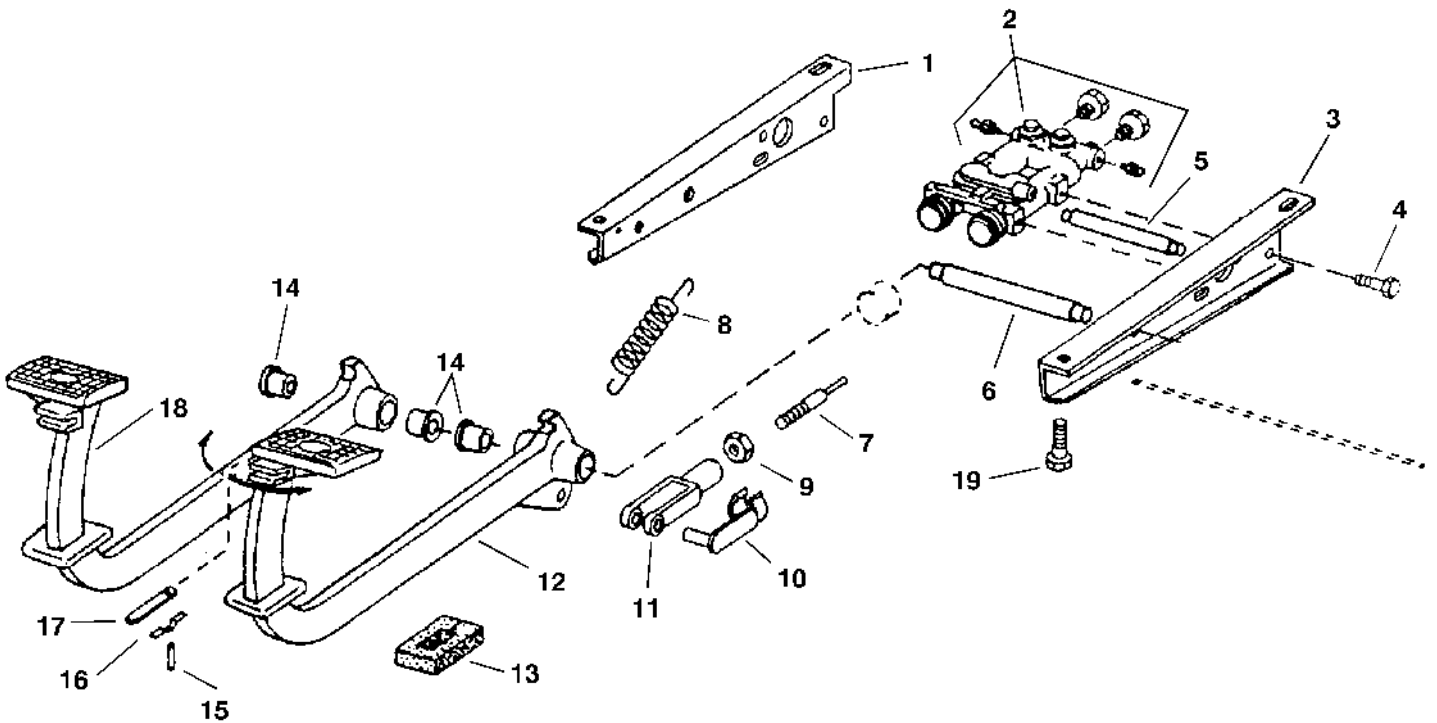
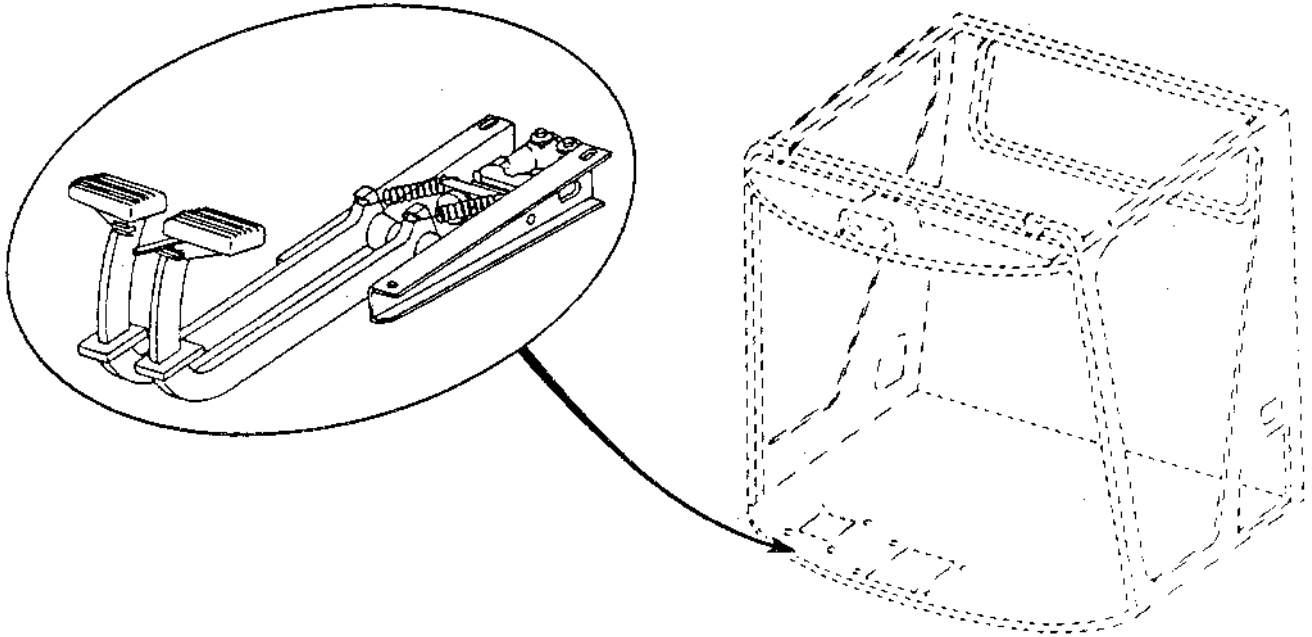
PARKING BRAKE PEDAL AND SEAL - CONTINUED

KEY	PART NO.	PART NAME	QTY	SERIAL NO.	REMARKS
1	H145847	SEAL	1		
2	AH146492	ARM	1		(SUB FOR AH135695)
3	34M7124	SPRING PIN	1		8 X 30 MM
4	34M7116	SPRING PIN	1		3 X 24 MM
5	H140595	FRAME	1		
6	28H1633	BUSHING	2		9.246 X 13.716 X 39.675 MM (0.364" X 0.540" X 1-9/16")
7	H152164	PEDAL	1		(SUB FOR H140620)
8	H140746	RATCHET	1		
9	H140747	PAWL	1		
10	AH140605	SWITCH	1		
11	H140692	SCREW	3		
12	H140708	PIN	1		
13	H146327	PLATE	1		
14	H110232	WASHER	1		
15	R60730	SPRING	1		
16	H141069	HOOK	1		
17	19M7801	SCREW	2		M8 X 60
18	H124258	SPRING	1		
19	H140715	BOLT	1		
20	H140712	BOLT	1		
21	H140691	PLATE	1		
22	19M7867	SCREW	2		M8 X 25
23	P47140	PIN	1		
24	11M7081	COTTER PIN	5		2.500 X 20 MM
25	RV702A	PIN	1		
26	H109716	PIN	3		
27	H140694	BALANCER	2		
28	H140695	LINK	2		
29	H140696	LINK	2		
30	H140713	CLEVIS	1		
31	H104075	SPRING	1		
32	H105005	BUSHING	2		
33	24H1375	WASHER	2		
34	H141422	SEAL	1		
35	24M7207	WASHER	2		8.400 X 24 X 2 MM
36	E64256	LOCK NUT	2		M8

2E11

BRAKE PEDALS AND MASTER CYLINDERS

HP6823 -UN-29AUG97



HP6823

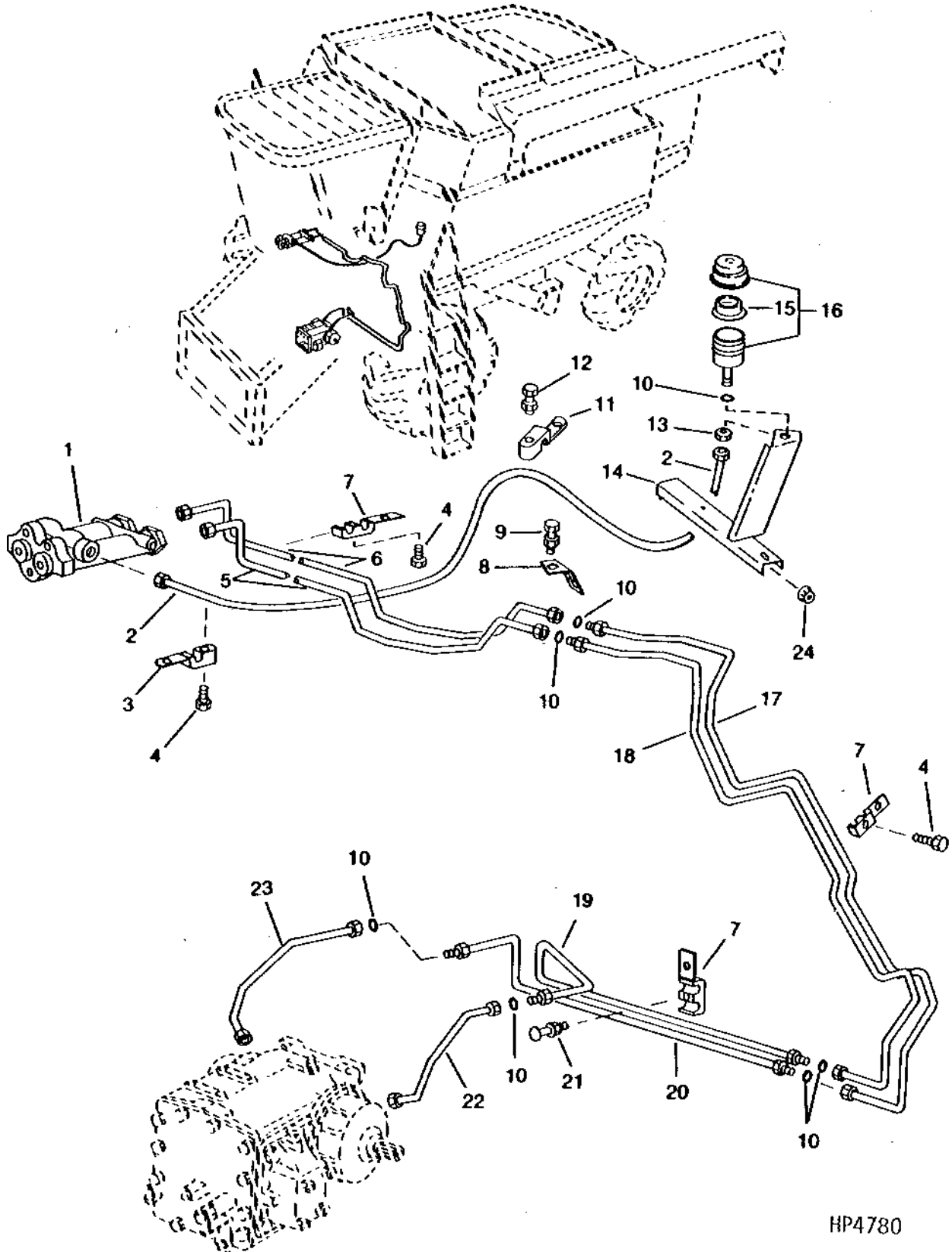
2E12

BRAKE PEDALS AND MASTER CYLINDERS - CONTINUED

KEY	PART NO.	PART NAME	QTY	SERIAL NO.	REMARKS
1	H156514	SUPPORT	1		
2	AH160136	CYLINDER	1		(SUB FOR AH143737 OR AH136301)
3	H156513	SUPPORT	1		
4	19M7784	SCREW	4		M10 X 20
5	H120389	PIN	1		
6	H120388	PIN	1		
7	H124259	STUD	2		
8	H124258	SPRING	2		
9	14M7274	NUT	2		M10
10	H114331	PIN	2		(SUB (2) 45M7118)
	45M7118	PIN	2		10 X 35 MM
11	H114330	YOKE	2		
12	H144270	PEDAL	1		(SUB H152166) L.H.
	H152166	PEDAL	1		(SUB H172924)
	H172924	PEDAL	1		L.H.
13	H111234	SEAL	2		
14	H105005	BUSHING	4		
15	34H101	SPRING PIN	1		1/4" X 1"
16	H95902	SPRING	1		
17	H99264	STRAP	1		
18	H144269	PEDAL	1		(SUB H152165) R.H.
	H152165	PEDAL	1		(SUB H172923)
	H172923	PEDAL	1		R.H.
19	19M7866	SCREW	4		M8 X 20

2E13

BRAKE LINES, MASTER CYLINDER AND RESERVOIR
HP4780 -UN-01JAN94



2E14

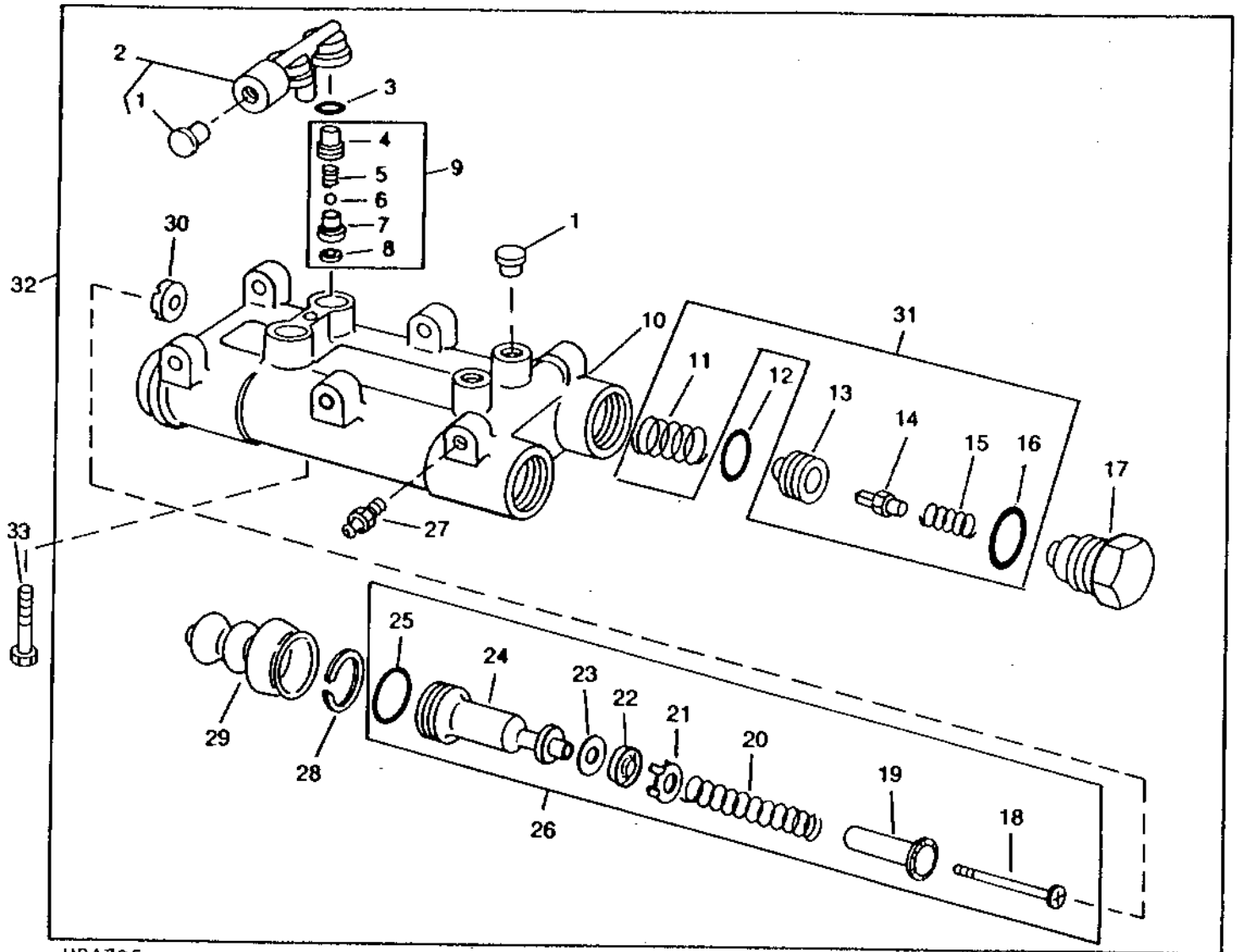
STEERING AND BRAKES

BRAKE LINES, MASTER CYLINDER AND RESERVOIR - CONTINUED

KEY	PART NO.	PART NAME	QTY	SERIAL NO.	REMARKS
1	AH136301	HYDRAULIC CYLINDER	1		
	AH143737	HYDRAULIC CYLINDER	1	(SUB AH160136)	
	AH160136	CYLINDER	1		
2	AH141794	OIL LINE	1		
3	H112911	CLAMP	3		
4	37M7131	SCREW	9	M6 X 20	
5	AH141686	OIL LINE	1	L.H.	
6	AH141687	OIL LINE	1	R.H.	
7	H112910	CLAMP	9		
8	H134343	BRACKET	1		
9	19M7775	SCREW	3	M6 X 16	
	14M7303	FLANGE NUT	3	M6	
10	H127752	O-RING	7		
11	H112911	CLAMP	1		
12	19M7775	SCREW	3	M6 X 16	
	14M7303	FLANGE NUT	3	M6	
13	14H832	NUT	1	9/16"	
14	H131703	SUPPORT	1		
	AH136362	SUPPORT	1		
15	H109254	DIAPHRAGM	1		
16	AH130605	RESERVOIR	1		
17	AH130612	OIL LINE	1	R.H.	
18	AH130613	OIL LINE	1	L.H.	
19	AH130412	OIL LINE	1	L.H.	
20	AH130413	OIL LINE	1	R.H.	
21	03M7290	BOLT	3	M6 X 30	
	14M7303	FLANGE NUT	3	M6	
22	AH128842	OIL LINE	1		
23	AH128843	OIL LINE	1		
24	14M7296	FLANGE NUT	2	M10	

2E15

BRAKE MASTER CYLINDER
HP4735 -UN-01JAN94



HP4735

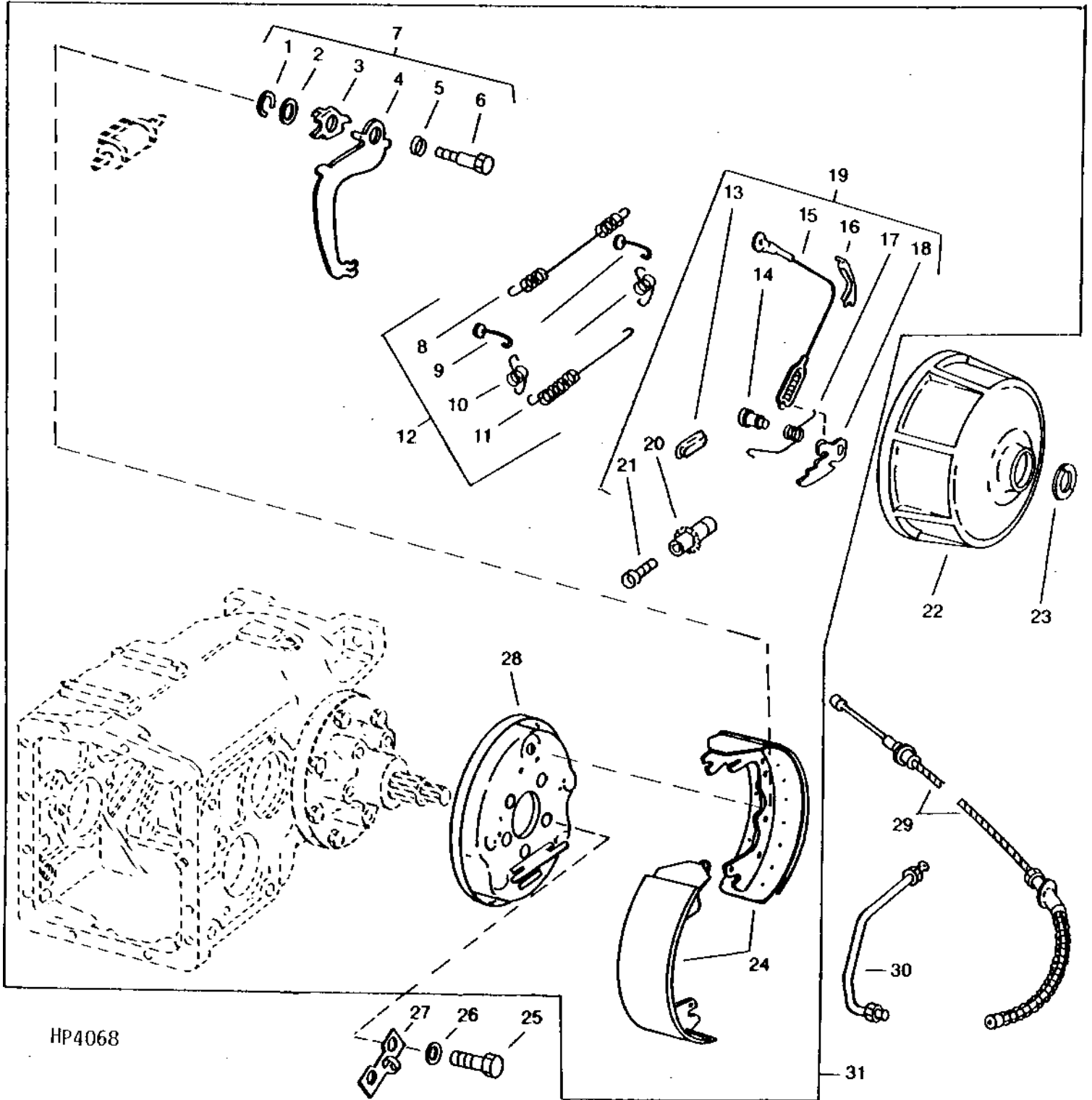
2E16

BRAKE MASTER CYLINDER - CONTINUED

KEY	PART NO.	PART NAME	QTY	SERIAL NO.	REMARKS
1	SEAT	3		
2	AH136305	DEVICE	1		
3	O-RING	2		(KIT AH133128)
4	VALVE	2		
5	SPRING	2		
6	BALL	2		
7	VALVE SEAT	2		
8	SEAL	2		
9	AH133126	VALVE	2		
10	HOUSING	1		
11	SPRING	2		(A)
	H141869	SPRING	2		
12	O-RING	2		(KIT AH133128)
13	BEARING	2		(A)
14	POPPET	2		(A)
15	SPRING	2		(A)
16	O-RING	2		(A)
17	H81467	FITTING PLUG	2		
18	SCREW	2		
19	RETAINER	2		
20	SPRING	2		
21	RETAINER	2		
22	OIL CUP	2		
23	RETAINER	2		
24	PISTON	2		
25	O-RING	2		
26	AH136304	PISTON	2		
27	R21612	BLEED SCREW	1		
28	SNAP RING	2		(KIT AH133128)
29	BOOT	2		(KIT AH133128)
30	H81461	RETAINER	2		
31	AH161485	KIT	1		(SUB FOR AH138702) (INCLUDES PARTS MARKED (A))
32	AH160136	CYLINDER	1		(SUB FOR AH143737, AH136301)
33	BOLT	1		(KIT AH133128)
..	AH133128	KIT	1		

2E17

BRAKE SHOES AND DRUM
(L.H. ILLUSTRATED)
HP4068 -UN-01JAN94



HP4068

2E18

STEERING AND BRAKES

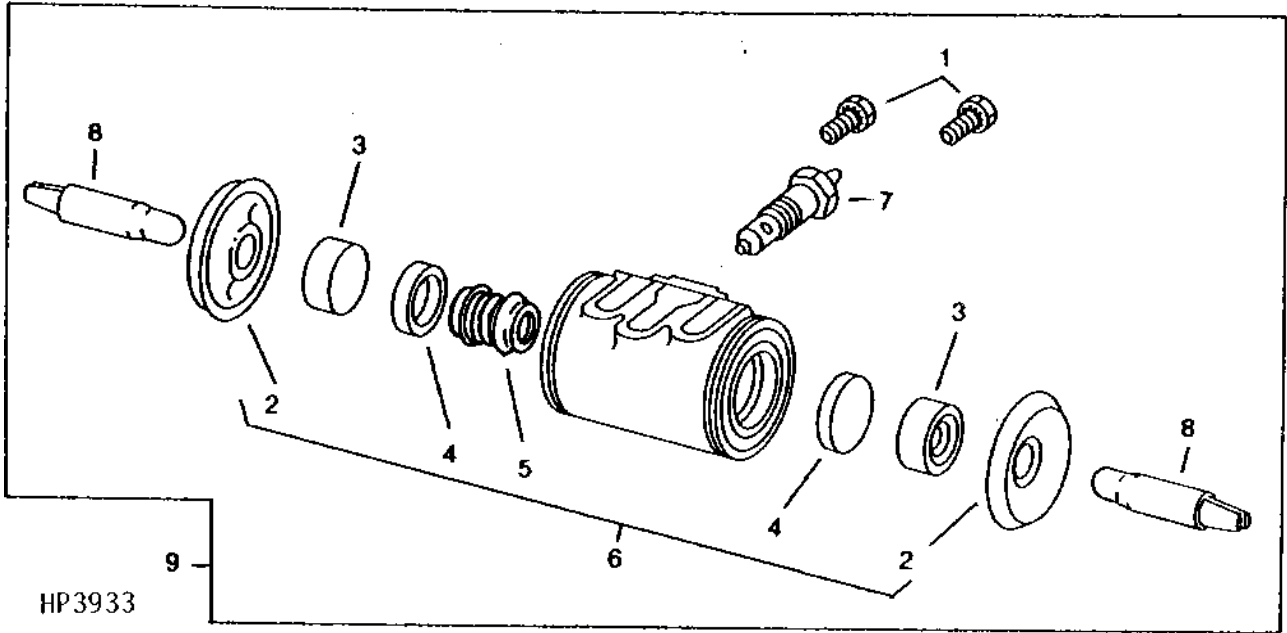
BRAKE SHOES AND DRUM - CONTINUED (L.H. ILLUSTRATED)

KEY	PART NO.	PART NAME	QTY	SERIAL NO.	REMARKS
1	SNAP RING	1		
2	WASHER	1		
3	CAM	1		
4	LEVER	1		
5	SPRING	1		
6	BOLT	1		(ANCHOR PIN)
7	AH131058	KIT	1		R.H.
	AH131059	KIT	1		L.H.
8	SPRING	1		(UPPER SHOE-TO-SHOE)
9	H140135	LINK	2		
10	SPRING	2		(LOWER SHOE-TO-SHOE)
11	SPRING	2		(HOLD DOWN)
12	AH131051	KIT	1		
13	COVER	1		(RUBBER)
14	PIN	1		
15	CABLE	1		
16	GUIDE	1		
17	SPRING	1		
18	PAWL	1		(ADJUSTER)
19	AH131054	KIT	1		R.H.
	AH131055	KIT	1		L.H.
20	WHEEL	1		
21	SCREW	1		
22	CE18206	BRAKE DRUM	2		
23	B32564	RING	2		
24	AH132840	BRAKE SHOE	1		R.H. AND L.H. (SET OF 4)
25	19M7597	CAP SCREW	5		M20 X 50
26	N12679	WASHER	5		20.625 X 38.100 X 3.404 MM (13/16" X 1-1/2" X 0.134")
27	H133351	GUIDE	2		
28	AH131062	KIT	1		
29	AH141582	CABLE	1		
30	AH128842	OIL LINE	1		L.H.
	AH128843	OIL LINE	1		R.H.
31	AH134304	BRAKE	1		R.H.
	AH134305	BRAKE	1		L.H.
..	H77698	TIE BAND	2		TO SECURE CABLES ON TOP OF TRANSMISSION

NOTE: QUANTITIES SHOWN ARE FOR ONE UNIT. TWO UNITS USED PER MACHINE.

2E19

BRAKE SLAVE CYLINDER
HP3933 -UN-01JAN94

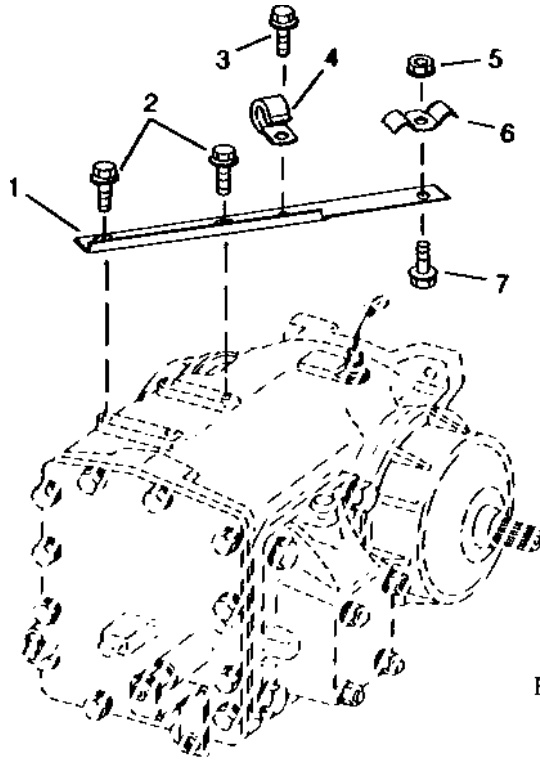


KEY	PART NO.	PART NAME	QTY	SERIAL NO.	REMARKS
1	AW12765	SCREW	2	(SUB 12M7032 AND 19H2020)	(WITH LOCK WASHER)
	12M7032	LOCK WASHER	2	8.400 MM	
	19H2020	CAP SCREW	2	5/16" X 1/2"	
2	BOOT	2	(KIT AH131045)	
3	PISTON	2		
4	SEAL	2	(KIT AH131045)	
5	SPRING	1	(KIT AH131045)	
6	AH131045	HYDRAULIC CYLINDER KIT	1		
7	W15277	BLEED SCREW	1		
8	H140135	LINK	2		
9	AH131048	KIT	1	R.H.	
	AH131049	HYDRAULIC CYLINDER KIT	1	L.H.	

2E20

BRAKE CABLE SUPPORT BRACKET

HP5535 -UN-01JAN94

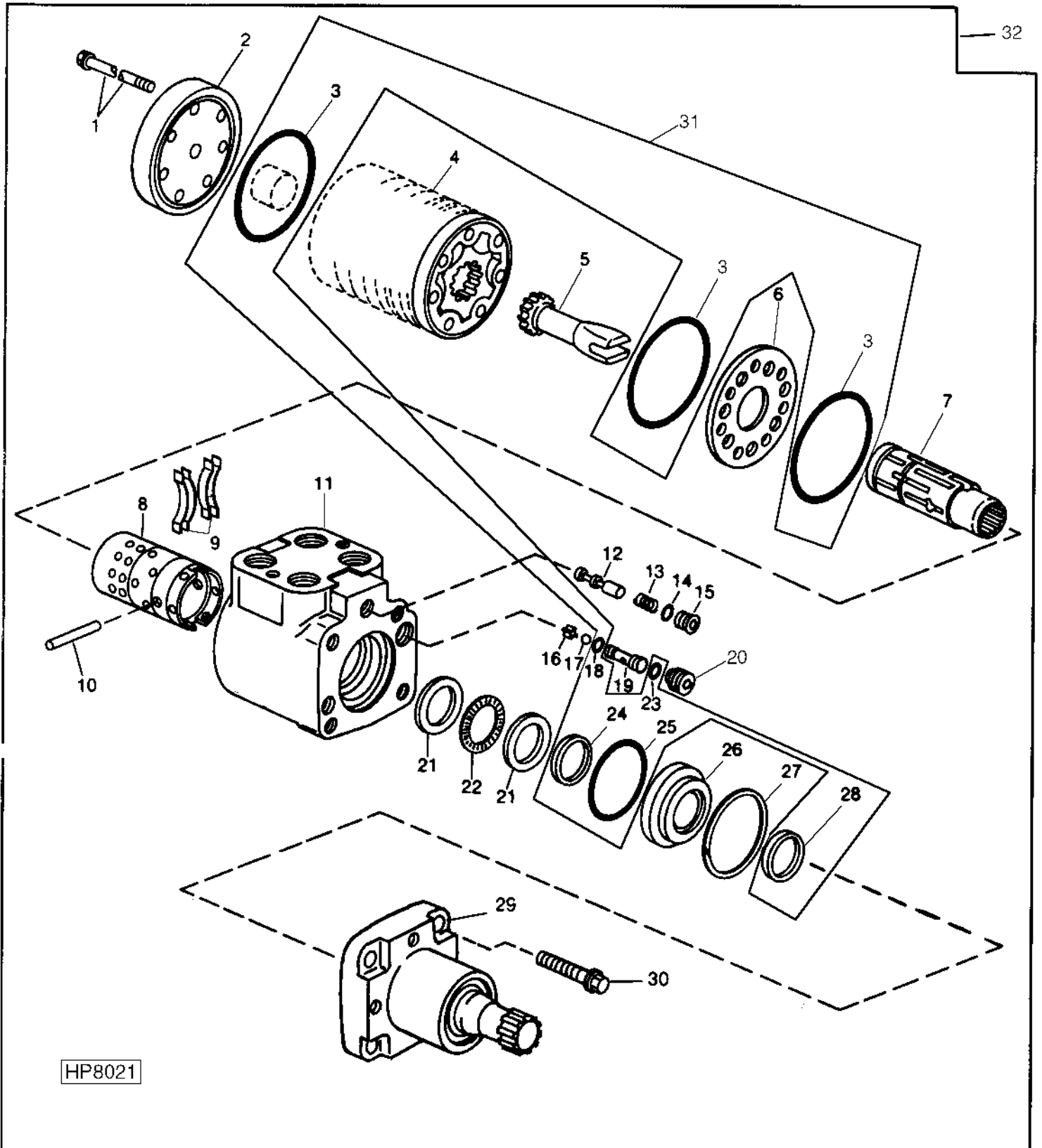


HP5535

KEY	PART NO.	PART NAME	QTY	SERIAL NO.	REMARKS
1	H147004	SUPPORT	1		
2	19M7865	SCREW	2	M8 X 16	
3	37M7083	SCREW	1	M8 X 12	
4	AH89557	CLIP	1		
5	14M7298	FLANGE NUT	1	M8	
6	R42009	CLAMP	1		
7	19M7824	SCREW	1	M16 X 60	

2E21

STEERING PUMP
HP8021 -UN-30NOV98



HP8021

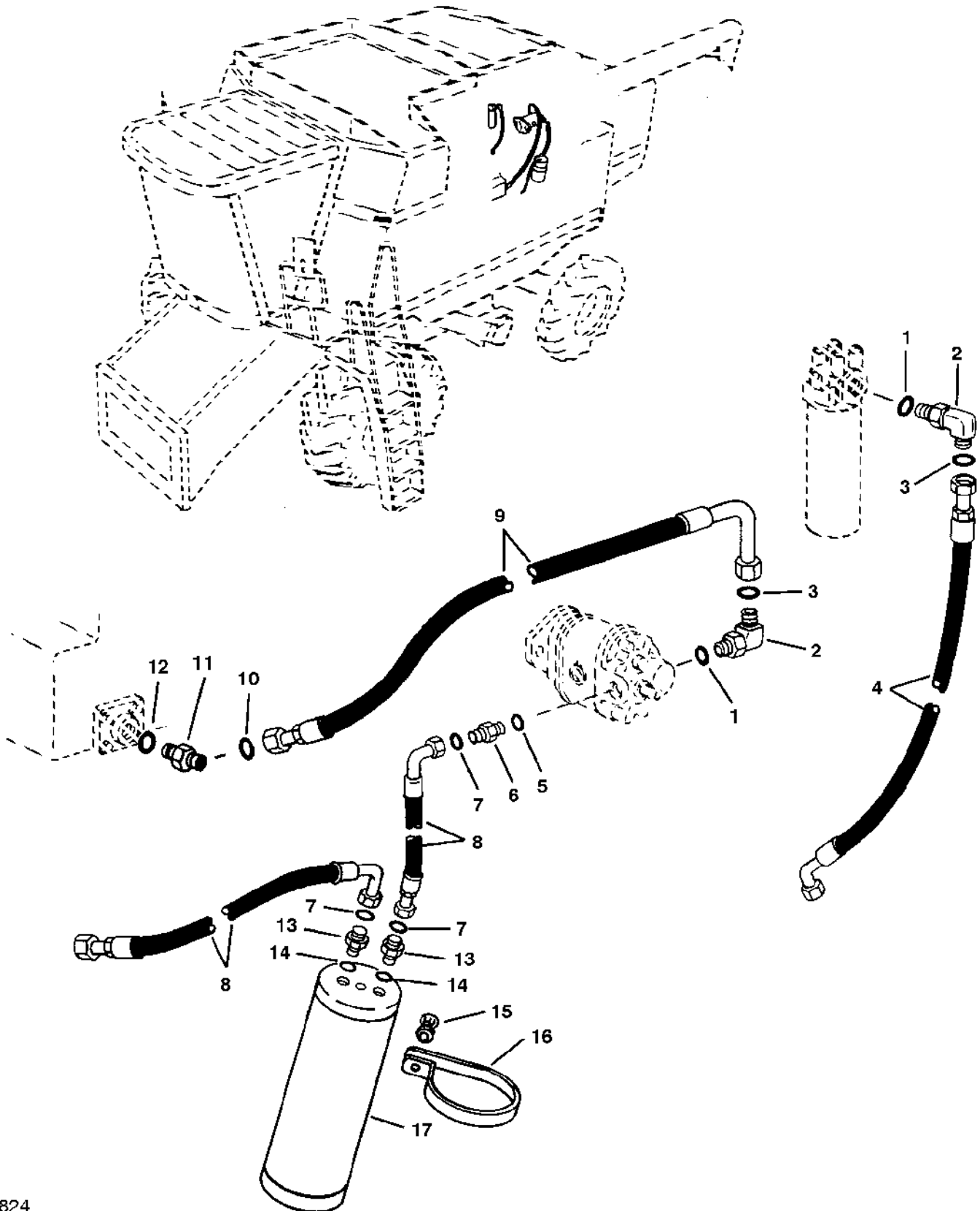
STEERING PUMP - CONTINUED

KEY	PART NO.	PART NAME	QTY	SERIAL NO.	REMARKS
1	SCREW	7		
2	CAP	1		
3	SEAL	3	(A)	
4	ROTATOR	1		
5	DRIVE	1		
6	SPACER	1		
7	SPOOL	1		
8	SLEEVE	1		
9	SPRING ASSEMBLY	1		
10	PIN	1		
11	CONTROL	1		
12	PLUNGER	1		
13	SPRING	1		
14	O-RING	1		
15	CAP	1		
16	RETAINER	1		
17	BALL CHECK	1		
18	O-RING	1	(A)	
19	VALVE SEAT	1		
20	SET SCREW	1		
21	BEARING	2		
22	NEEDLE BEARING	1		
23	O-RING	1	(A)	
24	SEAL	1	(A)	
25	SEAL	1	(A)	
26	BUSHING	1		
27	SNAP RING	1		
28	SEAL	1	(A)	
29	HOUSING	1		
30	SCREW	1		
31	AH142893	SEAL KIT	1		(INCLUDES PARTS MARKED (A))
32	AH142441	PUMP	1		(SUB FOR AH130126) (COMPLETE STEERING UNIT)

2E23

HYDRAULIC STEERING HOSES, UPPER AND ATTENUATOR

HP6824 -UN-18AUG97



HP6824

HYDRAULIC STEERING HOSES, UPPER AND ATTENUATOR - CONTINUED

KEY	PART NO.	PART NAME	QTY	SERIAL NO.	REMARKS
1	U12547	O-RING	2		
2	38H1007	ELBOW FITTING	2		
3	T77858	O-RING	2		
4	AH126254	HYDRAULIC HOSE	1		1-3/16" X 600 MM (23-1/2") X 1" (RETURN)
5	R26375	O-RING	1		
6	38H1161	ADAPTER	1		
7	T77857	O-RING	3		
8	AH133752	HYDRAULIC HOSE	2		(PRESSURE)
9	AH147935	HYDRAULIC HOSE	1		(SUCTION)
10	T76938	O-RING	1		
11	38H1164	ADAPTER	1		
12	R29936	O-RING	1		
13	38H1173	ADAPTER	2		
14	R26448	O-RING	2		
15	14M7298	FLANGE NUT	2		M8
	03M7223	BOLT	2		M8 X 60
16	R35794	CLAMP	2		
17	AR75693	ATTENUATOR	1		

2F2

STEERING AND BRAKES

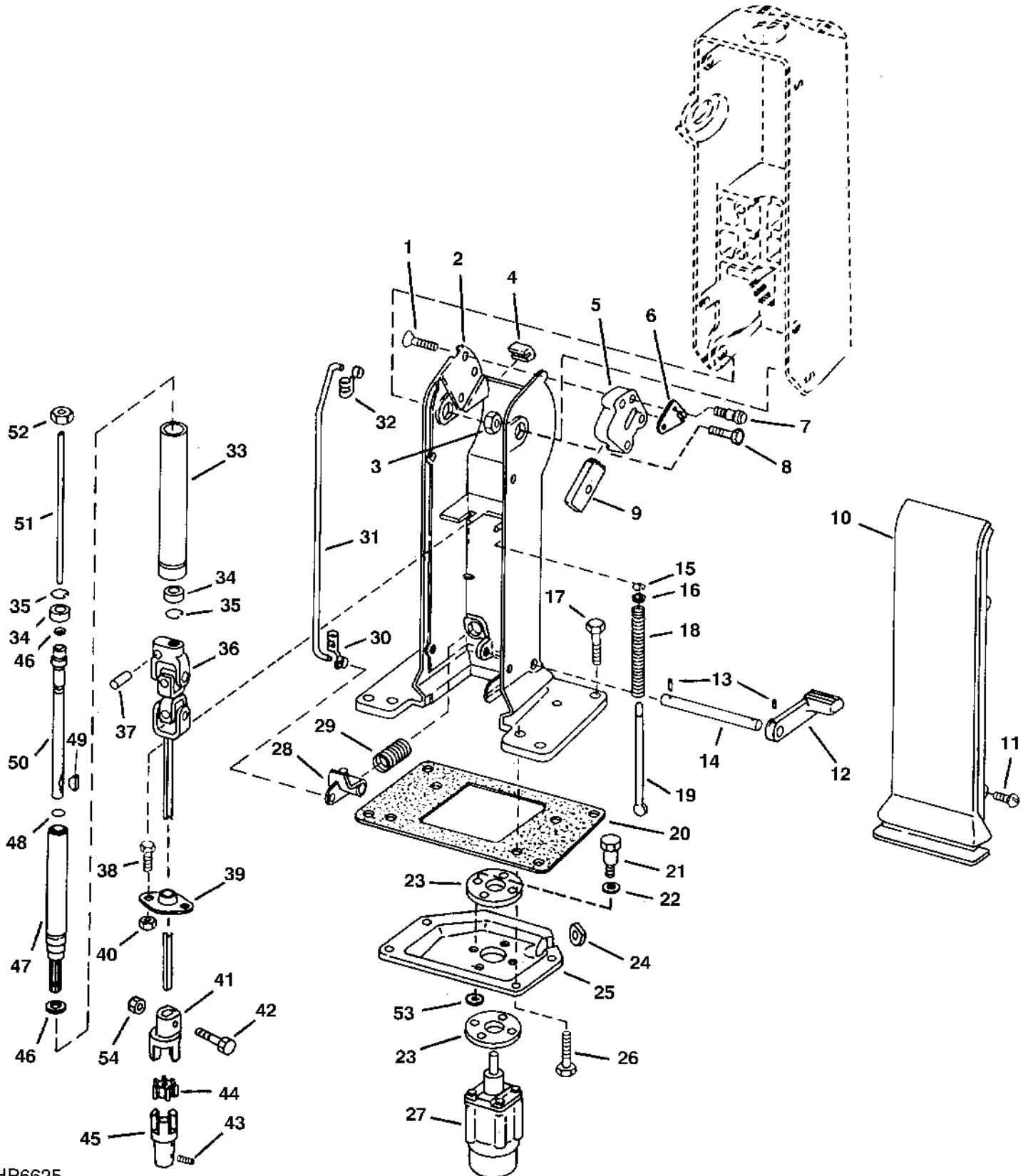
STEERING COLUMN (UPPER) - CONTINUED

KEY	PART NO.	PART NAME	QTY	SERIAL NO.	REMARKS
1	AR51481	KEY	1		
2	AH108816	SWITCH	1		KEY START SWITCH
3	R39554	SWITCH	1		HORN BUTTON
4	H152171	HOUSING	1		(SUB FOR H113858 OR H165292)
5	T55501	CAP	1		
6	T55585	CAP	1		
7	H132895	GUARD	1		
8	R39554	SWITCH	1		ETHER AID START BUTTON
9	14M7274	NUT	2		
10	12M7066	LOCK WASHER	2		
11	AH96317	CLIP	1		
12	H107687	SCREW	2		
13	H110812	GEAR	1		
14	H133205	SCREW	2		
15	H150383	CLAMP	1		
16	H113863	GUIDE	1		
17	37M7071	SCREW	1		
18	AH129255	GUARD	1		(SUB FOR AH150611)
19	19M7800	SCREW	4		M8 X 50
20	H132899	SCREW	1		
21	H146392	PANEL	1		
22	H146391	PANEL	1		
23	AA27536	BULB	2		
24	H165693	SCREW	4		(SUB FOR H130192)
25	H123873	COVER	1	-680326	
	H152170	COVER	1		(SUB FOR H165291)
26	37H6	SCREW	2		
27	H132897	RETAINER	1		
28	R26192	SNAP RING	1		
29	AH121340	TURN SIGNAL CONTROLLER	1		TURN SIGNAL (INCLUDES T23529 SNAP RING)
30	R26192	SNAP RING	1		
31	T22875	STEERING WHEEL	1		
32	14M7257	NUT	1		M20
33	14M7273	NUT	1		M8
34	H108822	KNOB	1		
35	19M7922	CAP SCREW	1		M8 X 40
36	B3690R	O-RING	1		
37	R47998	CAP	1		
38	R44342	NUT	1		
39	24M7040	WASHER	1		
40	AH116902	CONNECTOR	1		
41	H146042	LABEL	1		FOR IGNITION SWITCH
42	H156390	LABEL	1		

2F3

STEERING COLUMN (LOWER)

HP6625 -UN-27JAN97



HP6625

2F4

STEERING AND BRAKES

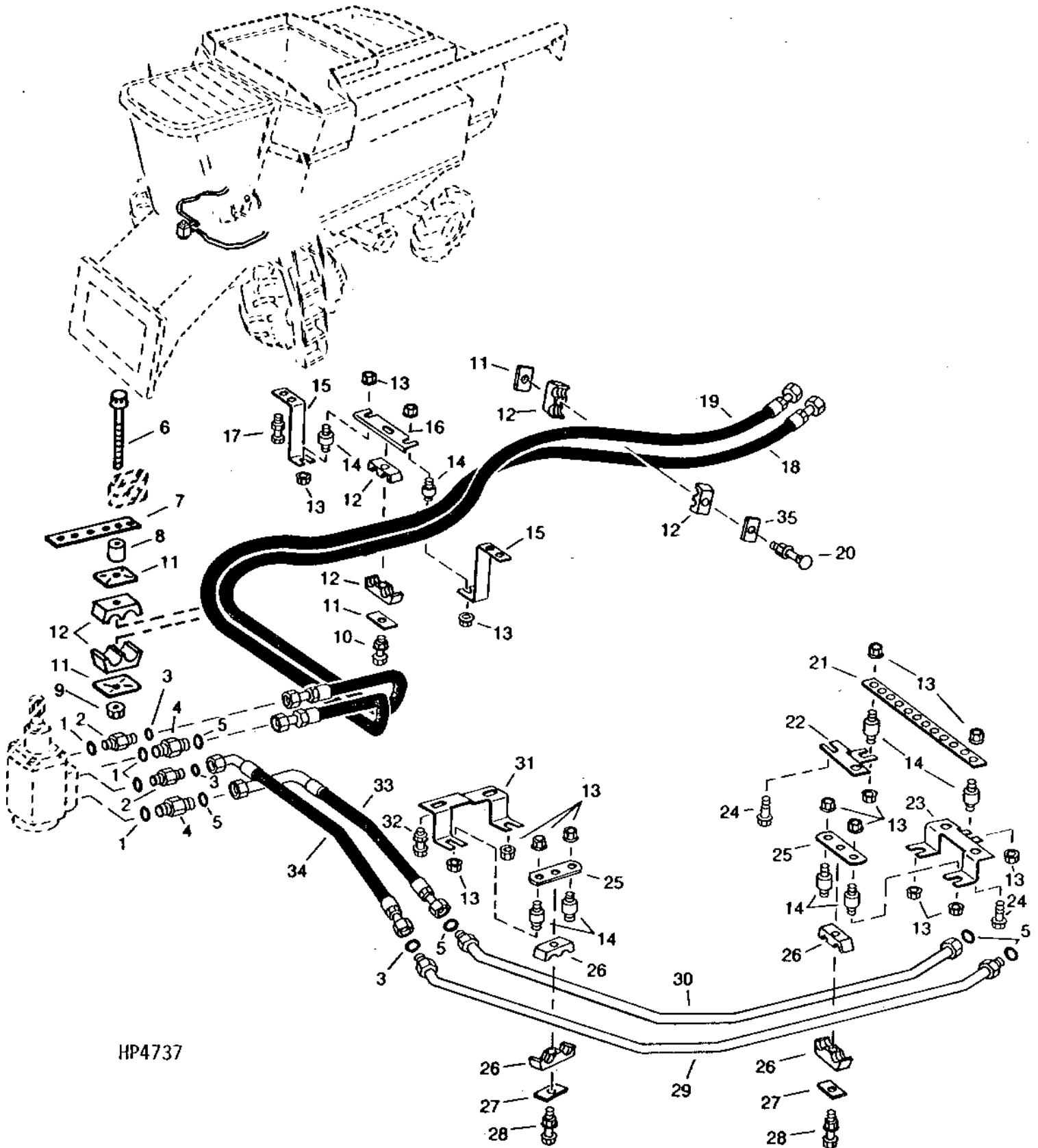
STEERING COLUMN (LOWER) - CONTINUED

KEY	PART NO.	PART NAME	QTY	SERIAL NO.	REMARKS
1	H133205	SCREW	3		
2	H123877	HOUSING	1	-680237	
	H152173	HOUSING	1		(SUB FOR H165294)
3	14M7274	NUT	2		M10
4	H107566	ISOLATOR	1		
5	H110310	HOUSING	1		
6	H110229	CRANK	1		
7	H131424	BOLT	2		
8	H107687	SCREW	2		
9	H141327	PAWL	1		
10	H152172	COVER	1		(SUB FOR H147192 OR H165293)
11	H165693	SCREW	4		(SUB FOR H130192)
12	H152174	PEDAL	1		(SUB FOR H107581)
13	34M7102	SPRING PIN	2		5 X 26 MM
14	H113864	PIN	1		
15	H133106	SNAP RING	1		
16	24M7055	WASHER	1		8.400 X 16 X 1.600 MM
17	19M7800	SCREW	4		M8 X 50
18	H113404	SPRING	1		
19	H113402	ROD	1		
20	H123874	SEALANT	1		
21	H110700	BOLT	4		
22	24M7028	WASHER	4		10.500 X 20 X 2 MM
23	H134353	ISOLATOR	2		
24	H108725	GROMMET	1		
25	H123875	SUPPORT	1		
26	19M7867	SCREW	4		M8 X 25
27	AH142441	PUMP	1		STEERING PUMP
28	H107582	ARM	1		
29	H107584	SPRING	1		
30	R26501	CLIP	1		
31	H131186	ROD	1		
32	R26524	CLIP	1		
33	H107567	HOUSING	1		
34	AH97920	BALL BEARING	2		
35	H80753	SNAP RING	2		
36	AH139065	UNIVERSAL JOINT, WITH SHAFT	1		
37	34M7124	SPRING PIN	1		8 X 30 MM
38	19M7866	SCREW	2		
39	AH129236	BEARING	1		
40	14M7166	LOCK NUT	2		M8
41	H162569	COUPLING	1		STEERING
42	H162055	SCREW	1	-675184	
	H164921	SCREW	1	675185-	
43	22M7072	SET SCREW	2		M6 X 10
44	H134624	ISOLATOR	1		
45	H134623	SPLINED COUPLING	1		
46	H99294	WASHER	2		
47	AH130429	STEERING SHAFT	1		
48	H36256	O-RING	1		
49	H137667	SHAFT KEY	1		
50	H107570	STEERING SHAFT	1		
51	H107586	PIN	1		
52	14M7257	NUT	1		M20
53	H141946	WASHER	4		
54	14M7396	LOCK NUT	1		M8, (SERVICE SUB FOR H137328)

2F5

STEERING HOSES AND LINES, FRONT

HP4737 -UN-01JAN94



HP4737

2F6

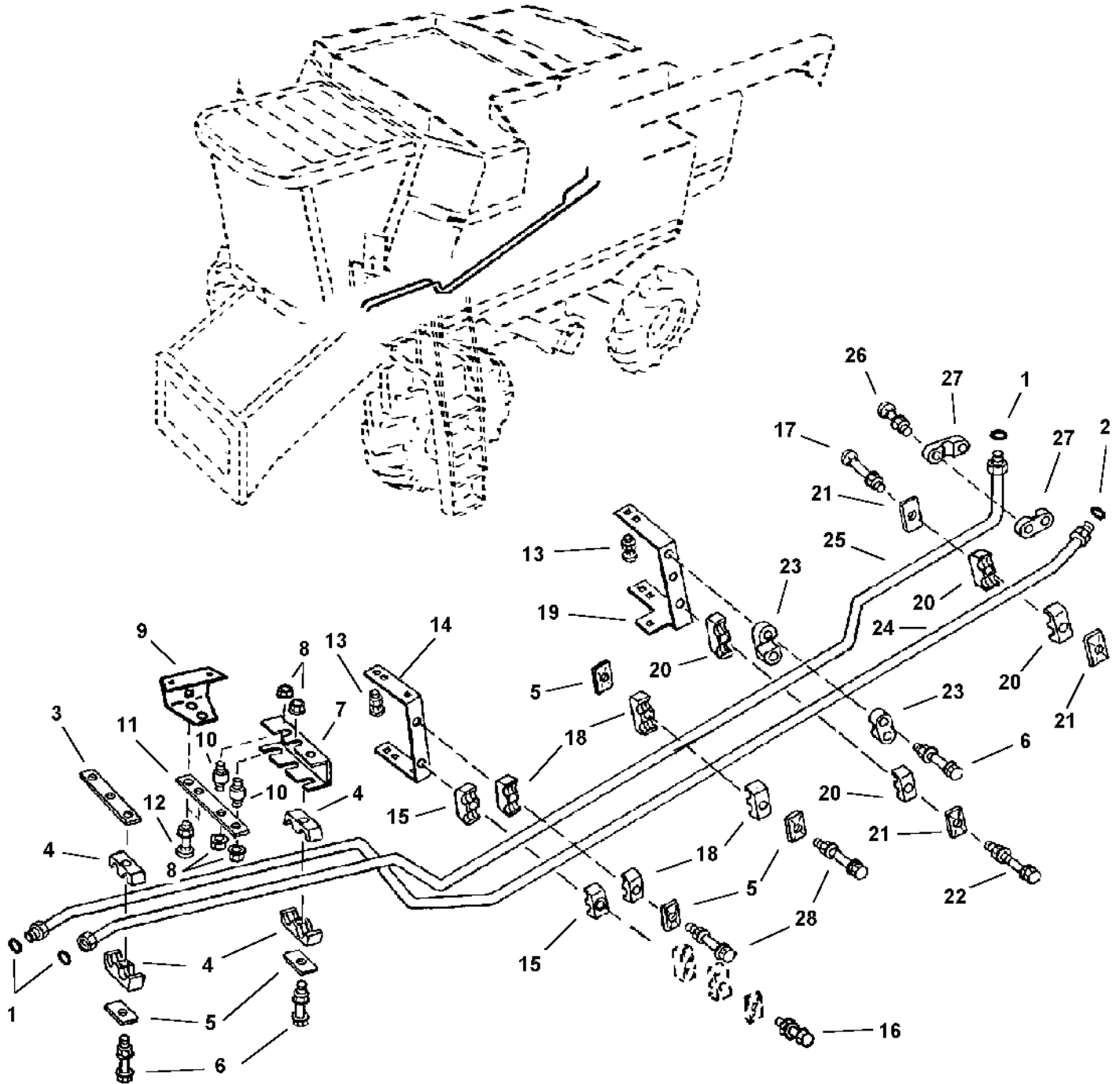
STEERING AND BRAKES

STEERING HOSES AND LINES, FRONT - CONTINUED

KEY	PART NO.	PART NAME	QTY	SERIAL NO.	REMARKS
1	R26375	O-RING	4		
2	38H1161	ADAPTER	2		
3	T77857	O-RING	3		
4	38H1317	FITTING	2		
5	T77932	O-RING	5		
6	19M8006	SCREW	1	M8 X 120	
7	H134558	STRAP	1		
8	H133060	SLEEVE	1		
9	14M7298	FLANGE NUT	1	M8	
10	19M7801	SCREW	1	M8 X 60	
	14M7396	LOCK NUT	1	M8	
11	H112567	PLATE	4		
12	H135155	CLAMP	6		
13	N10217	LOCK NUT	16		
14	AH126657	ISOLATOR	8		
15	H135608	BRACKET	2		
16	H134470	STRAP	1	ROUND HOLES	
17	19M7865	SCREW	4	M8 X 16	
	14M7298	FLANGE NUT	4	M8	
18	AH131546	HYDRAULIC HOSE	1	(RIGHT)	
19	AH131545	HYDRAULIC HOSE	1	13/16" X 1 800 MM (70-3/4") X 13/16" (LEFT)	
20	03M7224	BOLT	1	M8 X 65 (RD. HEAD)	
	14M7298	FLANGE NUT	1	M8	
21	H134426	STRAP	1		
22	H134427	BRACKET	1		
23	H134424	BRACKET	1		
24	37M7058	SCREW	4	M8 X 20	
25	H134425	STRAP	2		
26	H120847	CLAMP	4		
27	H121168	PLATE	2		
28	19M8318	SCREW	2	M8 X 45	
	14M7298	FLANGE NUT	2	M8	
29	AH131382	HYDRAULIC LINE	1	(RETURN)	
30	AH131381	HYDRAULIC LINE	1	(PRESSURE)	
31	H135619	BRACKET	1		
32	19M7865	SCREW	2	M8 X 16	
	14M7298	FLANGE NUT	2	M8	
33	AH133161	HYDRAULIC HOSE	1	1" X 600 MM (23-1/2") X 1"	
34	AH133160	HYDRAULIC HOSE	1		
35	24H1347	WASHER	1	13.487 X 50.800 X 4.928 MM (17/32" X 2" X 0.194")	

2F7

STEERING LINES, L.H. SIDE
HP7245 -UN-07NOV97



HP7245

2F8

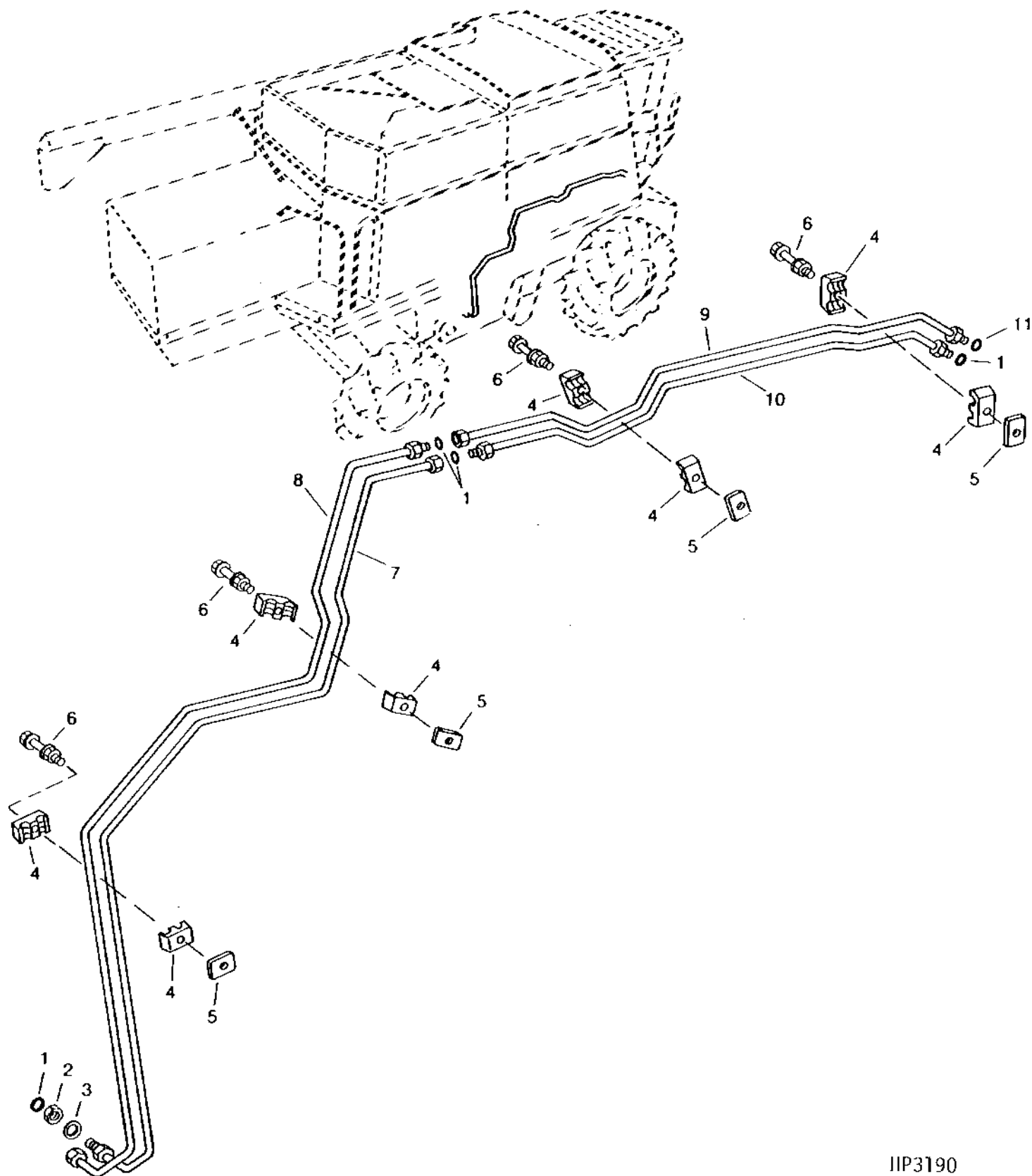
STEERING AND BRAKES

STEERING LINES, L.H. SIDE - CONTINUED

KEY	PART NO.	PART NAME	QTY	SERIAL NO.	REMARKS
1	T77932	O-RING	3		
2	T77857	O-RING	1		
3	H131163	STRAP	1		
4	H120847	CLAMP	2		
5	H121168	PLATE	4		
6	03M7189	BOLT	2		M8 X 45
	14M7298	FLANGE NUT	2		M8
7	H134428	BRACKET	1		
8	N10217	LOCK NUT	4		6.350 MM (1/4")
9	H138411	BRACKET	1		
10	AH126657	ISOLATOR	2		
11	H134434	SUPPORT	1		
12	03M7184	BOLT	2		M8 X 20
	14M7298	FLANGE NUT	2		M8
13	19M7866	SCREW	8		M8 X 20
	14M7396	LOCK NUT	8		M8
14	H131115	BRACKET	1		
15	H120847	CLAMP	2		
16	19M7913	SCREW	1		M8 X 90 (STACKING)
	14M7298	FLANGE NUT	1		M8
17	19M7803	SCREW	1		M8 X 70
	14M7298	FLANGE NUT	1		M8
18	H109046	CLAMP	4		
19	H133659	BRACKET	1		
20	H111730	CLAMP	4		
21	H112567	PLATE	3		
22	19M7979	SCREW	1		M8 X 55
	14M7298	FLANGE NUT	1		M8
23	H115533	CLAMP	2		
24	AH131316	HYDRAULIC LINE	1		(PRESSURE)
25	AH131302	OIL LINE	1		(RETURN)
26	03M7216	BOLT	2		M8 X 50
	14M7298	FLANGE NUT	2		M8
27	H115533	CLAMP	2		
28	19M8318	SCREW	2		M8 X 45
	19M8319	SCREW	2		M8 X 50
	14M7298	FLANGE NUT	2		M8

2F9

STEERING LINES, R.H. SIDE
HP3190 -UN-01JAN94



IIP3190

2F10

STEERING AND BRAKES

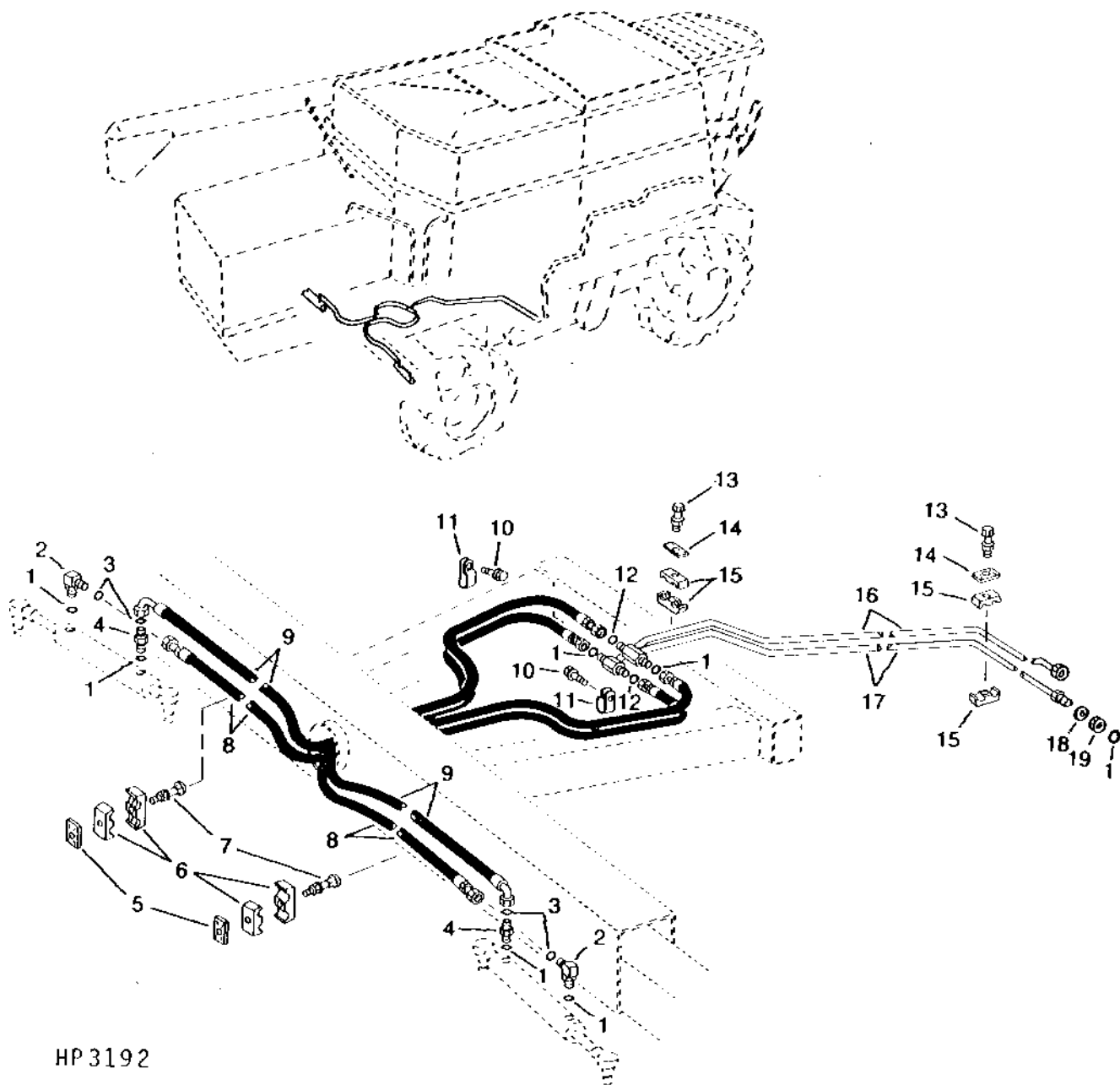
STEERING LINES, R.H. SIDE - CONTINUED

KEY	PART NO.	PART NAME	QTY	SERIAL NO.	REMARKS
1	T77613	O-RING	4		
2	T81029	NUT	1	17.475 MM, (BULKHEAD)	
3	24M7114	WASHER	1	19 X 30 X 4 MM	
4	H128515	CLAMP	8		
5	H121163	COVER	4		
6	03M7188	BOLT	4	M8 X 40 (RD. HEAD)	
	14M7298	FLANGE NUT	4	M8	
7	AH140715	HYDRAULIC LINE	1	(RIGHT)	
8	AH140714	HYDRAULIC LINE	1	(LEFT)	
9	AH131874	OIL LINE	1	(LEFT)	
10	AH131875	OIL LINE	1	(RIGHT)	
11	T77857	O-RING	1		

2F11

STEERING LINES AND HOSES, REAR (DUAL CYLINDER)

HP3192 -UN-01JAN94



HP 3192

2F12

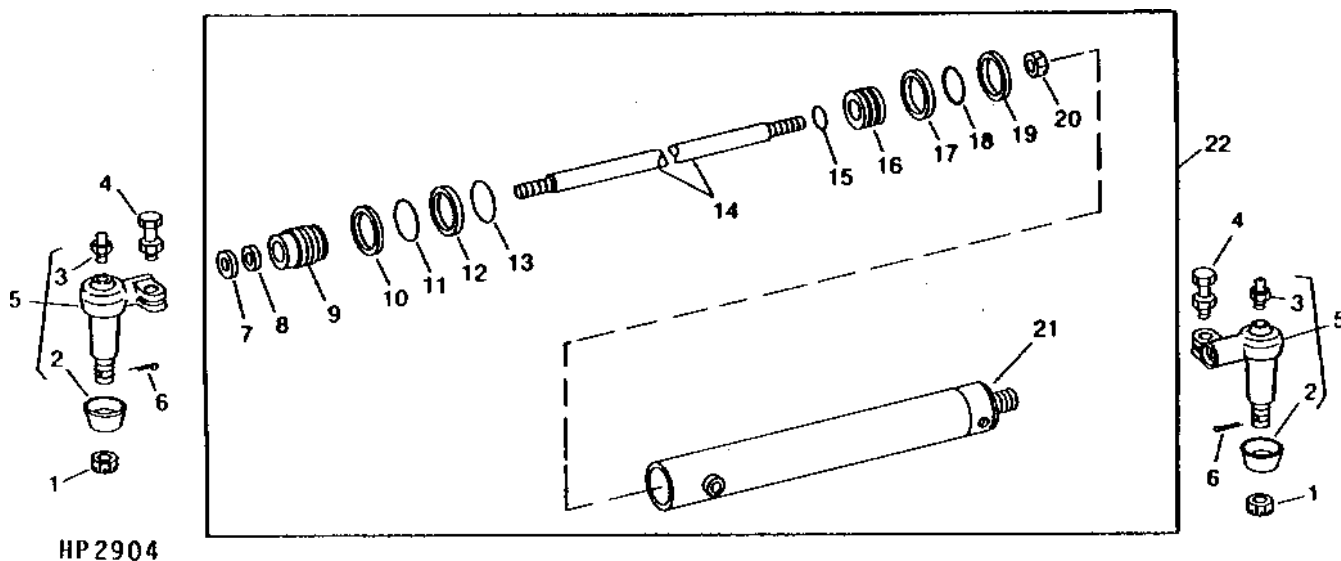
STEERING AND BRAKES

STEERING LINES AND HOSES, REAR - CONTINUED (DUAL CYLINDER)

KEY	PART NO.	PART NAME	QTY	SERIAL NO.	REMARKS
1	R26448	O-RING	4		
2	38H1004	ELBOW FITTING	2		
3	T77613	O-RING	7		
4	38H1160	ADAPTER	2		
5	H121168	PLATE	2		
6	H135156	CLAMP	4		
7	03M7280	BOLT	2	M6 X 45	
	14M7303	FLANGE NUT	2	M6	
8	AH130890	HYDRAULIC HOSE	2		9/16" X 2 452 MM (96-1/2") X 11/16"
9	AH130119	HYDRAULIC HOSE	2		
10	37M7092	SCREW	2	M8 X 16	
11	AH97280	CLIP	2		
12	T77814	O-RING	2		
13	19M8317	SCREW	2	M8 X 40	
	14M7298	FLANGE NUT	2	M8	
14	H121163	COVER	2		
15	H128515	CLAMP	4		
16	AH120872	OIL LINE	1	(RIGHT)	
17	AH120876	OIL LINE	1	(LEFT)	
18	24M7114	WASHER	1	19 X 30 X 4 MM	
19	T81029	NUT	1	17.475 MM (11/16")	

2F13

STEERING CYLINDER
HP2904 -UN-01JAN94



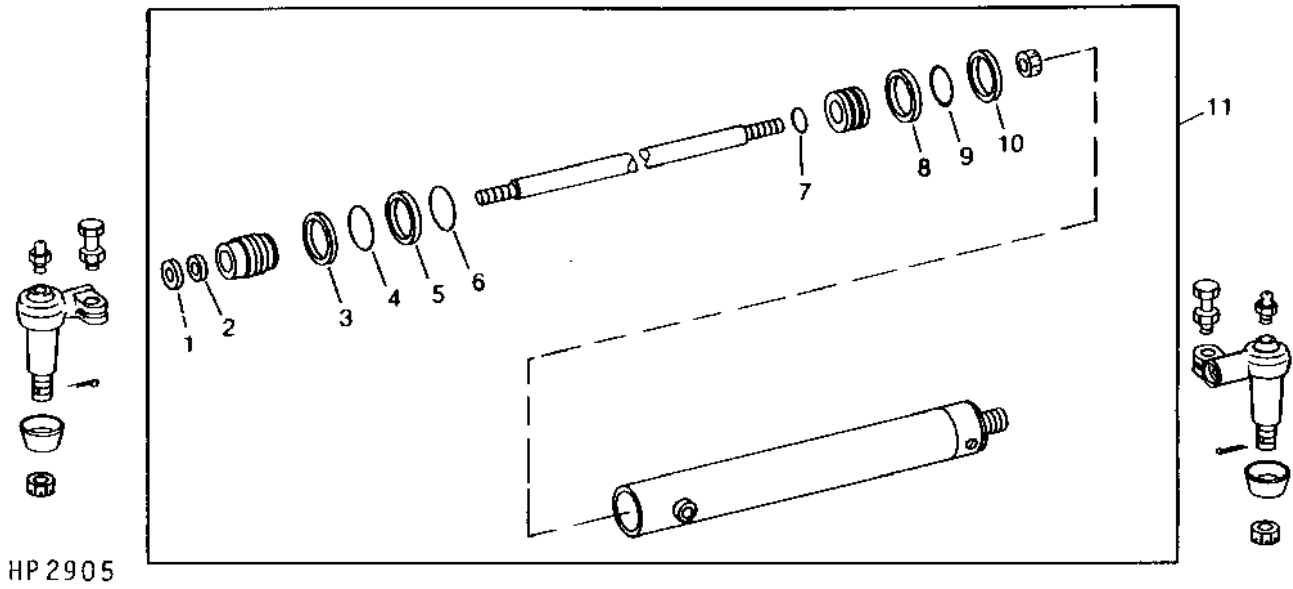
HP2904

KEY	PART NO.	PART NAME	QTY	SERIAL NO.	REMARKS
1	14H902	NUT	2	3/4"	
2	R78027	COVER	2		
3	JD7797	LUBRICATION FITTING	2		
4	19H1765	CAP SCREW	2	3/8" X 1-3/4" (USE WITH O.AND S.)	
	H99923	LOCK NUT	2	9.525 MM (3/8") (USE WITH O.AND S.)	
	19H1740	CAP SCREW	2	7/16" X 1-3/4" (USE WITH TRW)	
	H80440	LOCK NUT	2	11.125 MM (7/16") (USE WITH TRW)	
5	AH117566	TIE ROD END	2	(WITH COVER, ZERK AND CLAMP BOLT)	
6	11M7087	COTTER PIN	2	4 X 40 MM	
7	SEAL	1	(A)	
8	SEAL	1	(A)	
9	GUIDE	1		
10	SNAP RING	1	(A)	
11	RING	1	(A)	
12	WASHER	1	(A)	
13	O-RING	1	(A)	
14	ROD	1		
15	O-RING	1	(A)	
16	PISTON	1		
17	PISTON RING	1	(A)	
18	O-RING	1	(A)	
19	WEAR RING	1	(A)	
20	LOCK NUT	1		
21	HYDRAULIC CYLINDER BARREL	1		
22	AH125658	HYDRAULIC CYLINDER	1	(COMPLETE COMPONENT, LESS TIE ROD ENDS)	
..	AH101202	KIT	1	SEAL REPAIR (INCLUDES PARTS MARKED (A))	

NOTE: QUANTITIES SHOWN ARE FOR ONE UNIT. TWO UNITS USED PER MACHINE.

2F14

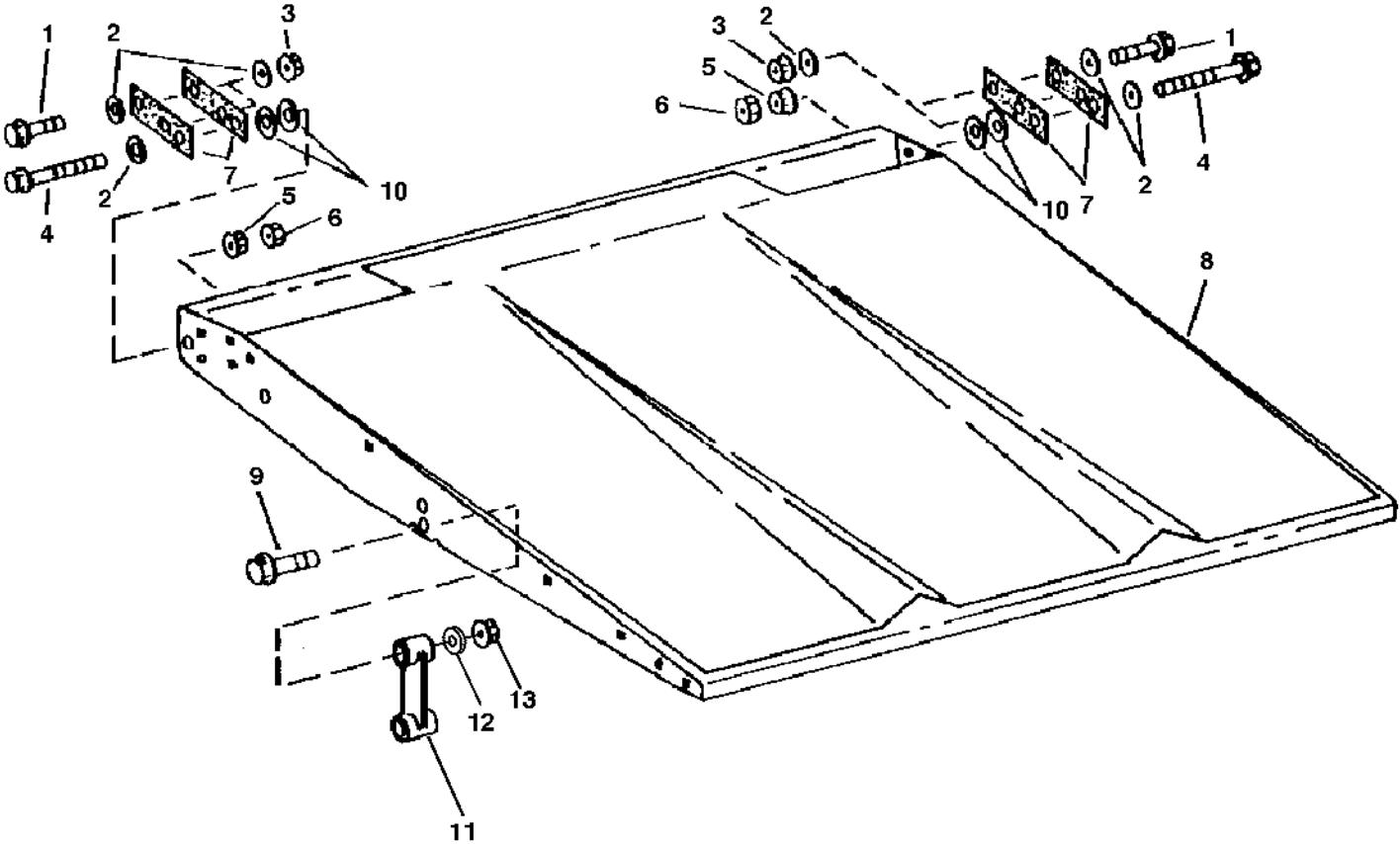
STEERING CYLINDER KIT
HP2905 -UN-01JAN94



KEY	PART NO.	PART NAME	QTY	SERIAL NO.	REMARKS
1	SEAL	1		
2	SEAL	1		
3	RING	1		
4	RING	1		
5	WASHER	1		
6	O-RING	1		
7	O-RING	1		
8	PISTON RING	1		
9	O-RING	1		
10	RING	1		
11	AH101202	KIT	1		

2F15

REAR AXLE TRASH SHIELD
HP6828 -UN-08SEP97



HP6828

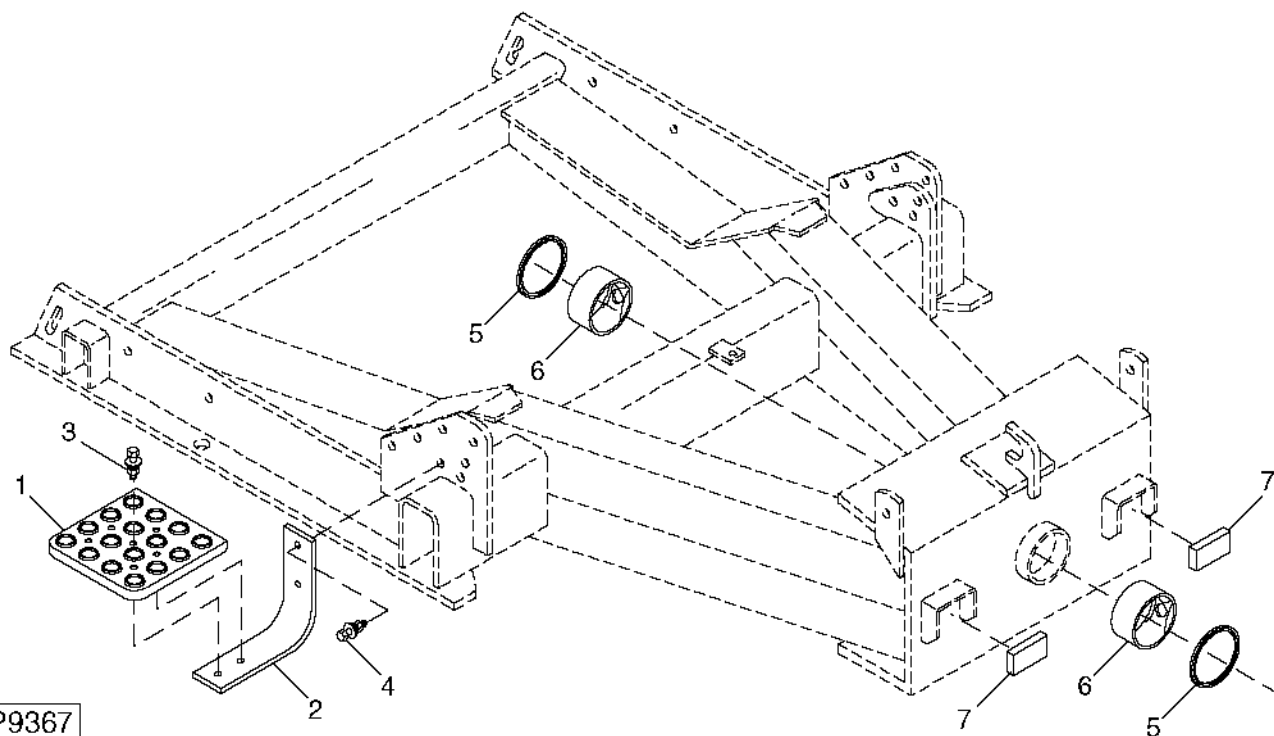
2F16

REAR AXLE TRASH SHIELD - CONTINUED

KEY	PART NO.	PART NAME	QTY	SERIAL NO.	REMARKS
1	19M7807	SCREW	4	M10 X 60	
2	24M7178	WASHER	12	10.500 X 30 X 2.500 MM	
3	14M7400	LOCK NUT	4	M10	
4	19M7807	SCREW	2	M10 X 60	
5	14M7296	FLANGE NUT	2	M10	
6	14M7274	NUT	2	M10	
7	H130388	STRAP	4		
8	AH137975	FRAME	1		
9	19M7819	SCREW	4	M12 X 90	
10	24M7180	WASHER	4	13 X 37 X 3 MM	
11	AH138233	LINK	2		
12	T62323	WASHER	4	13.487 X 51.054 X 3.175 MM	
13	14M7299	FLANGE NUT	4	M12	

2F17

REAR AXLE SUPPORT
HP9367 -UN-06DEC99

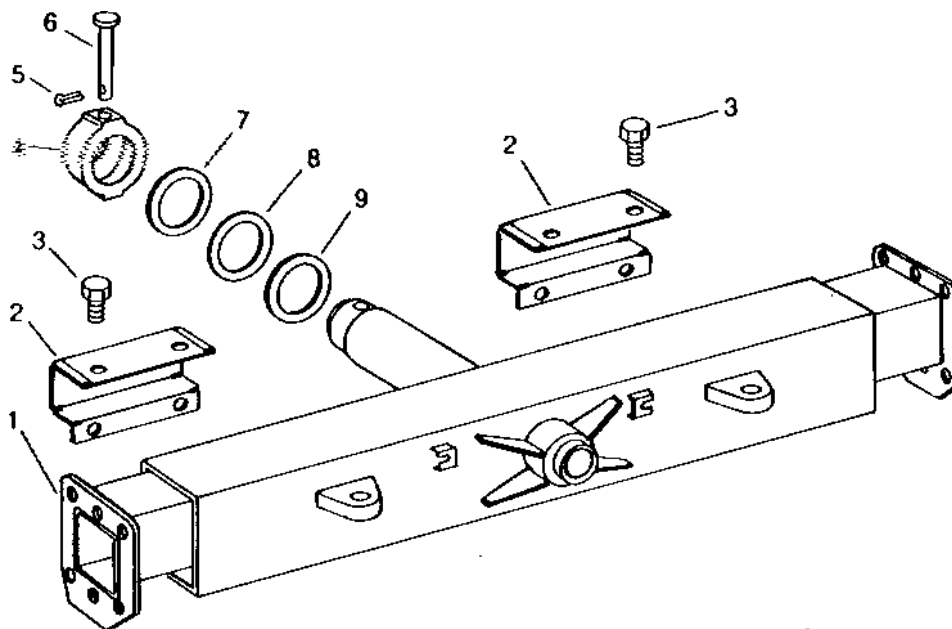


KEY	PART NO.	PART NAME	QTY	SERIAL NO.	REMARKS
1	R84943	STEP	1		
2	H133320	BRACKET	1		
3	19M7785	SCREW	2	M10 X 25	
	14M7298	FLANGE NUT	2	M8	
4	19M7835	SCREW	2	M10 X 35	
	14M7298	FLANGE NUT	2	M8	
5	AH112284	SEAL	2	(SUB FOR AH112285)	
6	H138410	BUSHING	2	USE WITH WORN PIVOT ONLY (HEAT TREATED)	
	H146281	BUSHING	2		
7	H151739	REINFORCEMENT	2		

MEMORANDA

2F18

FIXED REAR AXLE
HP3373 -UN-01JAN94



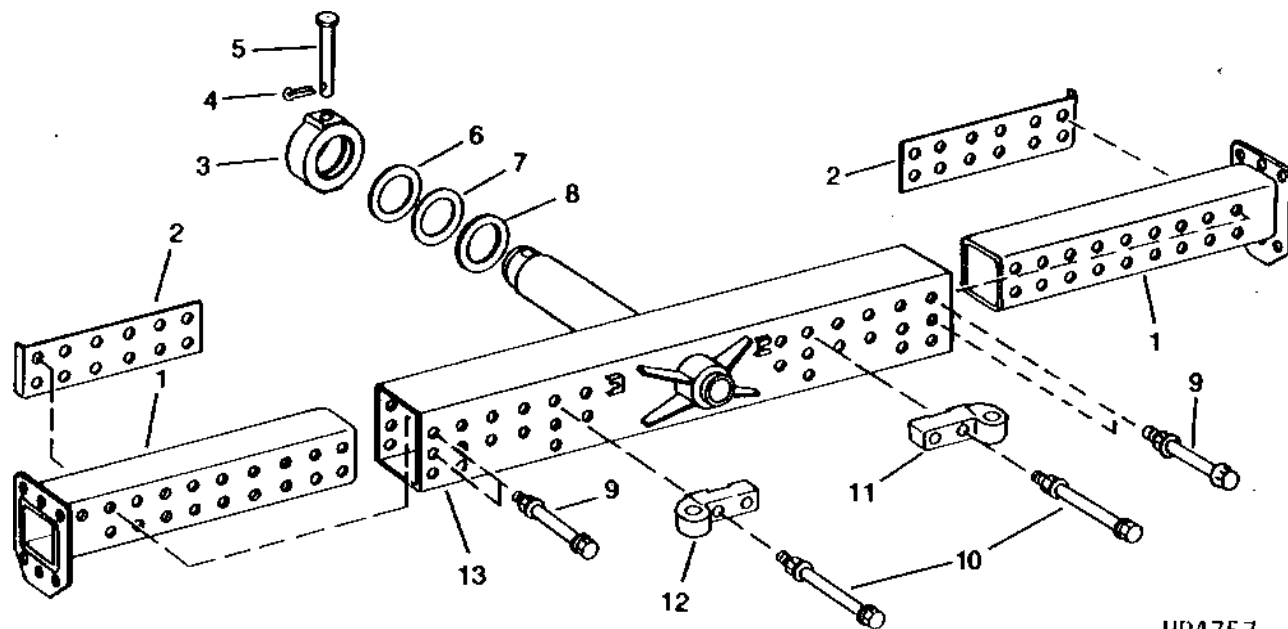
HP3373

KEY	PART NO.	PART NAME	QTY	SERIAL NO.	REMARKS
1	AH134814	AXLE	1		
2	H136115	SHIELD	2		(4-WHEEL DRIVE ONLY)
3	37M7086	SCREW	8		M10 X 20 (4-WHEEL DRIVE ONLY)
4	H134547	BUSHING	1		
5	11M7028	COTTER PIN	1		5 X 32 MM
6	H142107	PIN	1		
7	H129709	WASHER	AR		
8	H115140	SHIM	AR		
9	H134548	WASHER	1		
..	C16071	SEALANT	1		
..	BH78882	COMPLETE GOODS/SHIP. BUNDLE	1		SHIELDS

2F19

STEERING AND BRAKES

REAR AXLE, ADJUSTABLE
HP4757 -UN-01JAN94

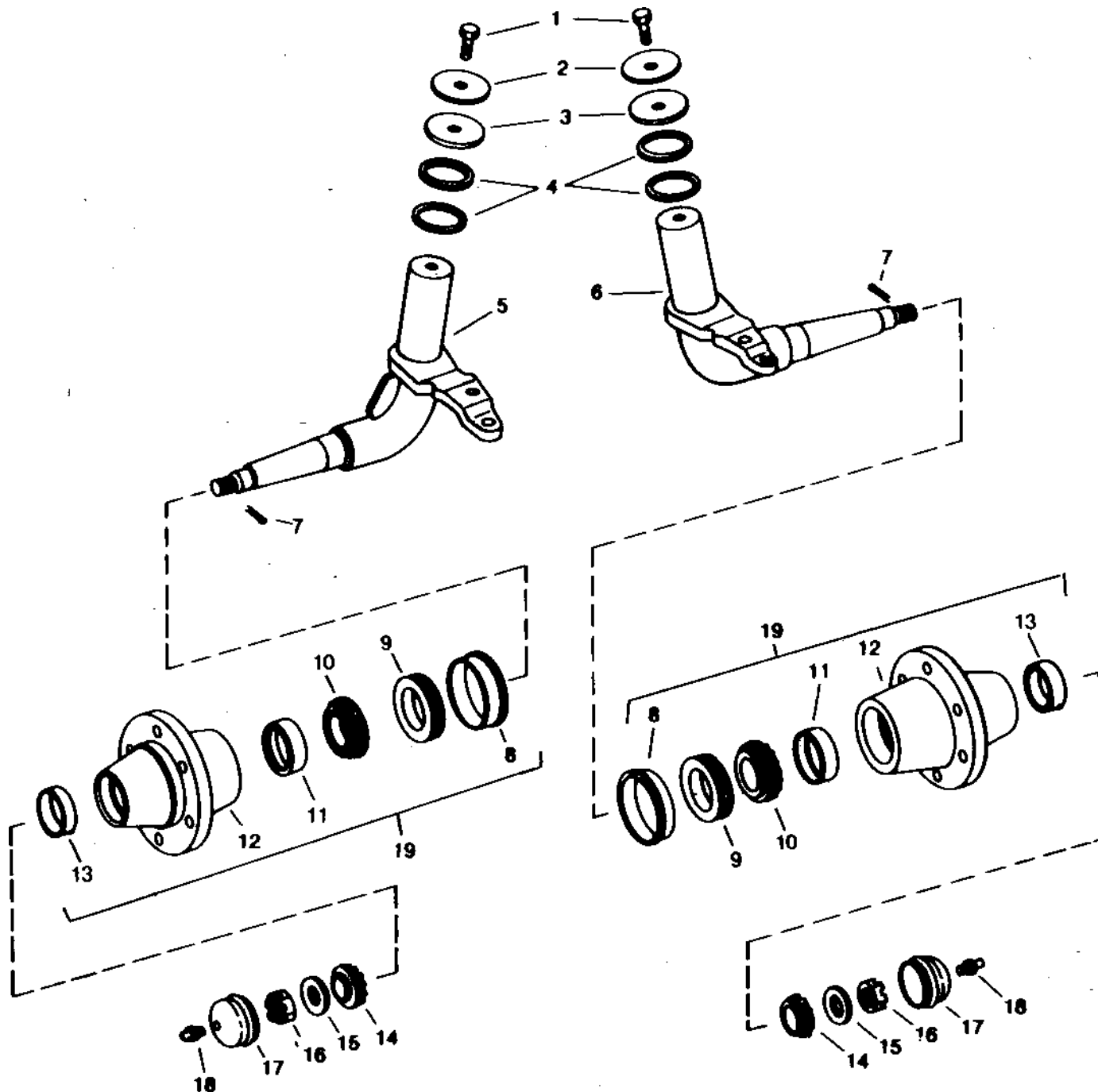


HP4757

KEY	PART NO.	PART NAME	QTY	SERIAL NO.	REMARKS
1	AH156773	TUBE	2		
2	H134549	PLATE	2		
3	H134547	BUSHING	1		
4	11M7028	COTTER PIN	1	5 X 32 MM	
5	H142107	PIN	1	20 X 180 MM, (SUB FOR 45M7082)	
6	H129709	WASHER	AR		
7	H115140	SHIM	AR		
8	H134548	WASHER	1		
9	19M7921	CAP SCREW	8	M20 X 150, (NON-POWERED)	
	19M7921	CAP SCREW	4	M20 X 150, (4 WHEEL DRIVE)	
	24M7242	WASHER	8	21.400 X 42 X 5 MM	
	H121472	BOLT	4	(4-WHEEL DRIVE) (CONVERSION)	
	14M7300	FLANGE NUT	8	M20	
10	19M7645	SCREW	4	M20 X 200	
	14M7300	FLANGE NUT	4	M20	
11	H130224	ANCHOR	1	(R.H.)	
12	H130223	ANCHOR	1	(L.H.)	
13	AH134813	REAR AXLE	1		

2F20

REAR AXLE SPINDLES
(FIXED AND ADJUSTABLE REAR AXLE)
HP5915 -UN-14FEB95



HP5915

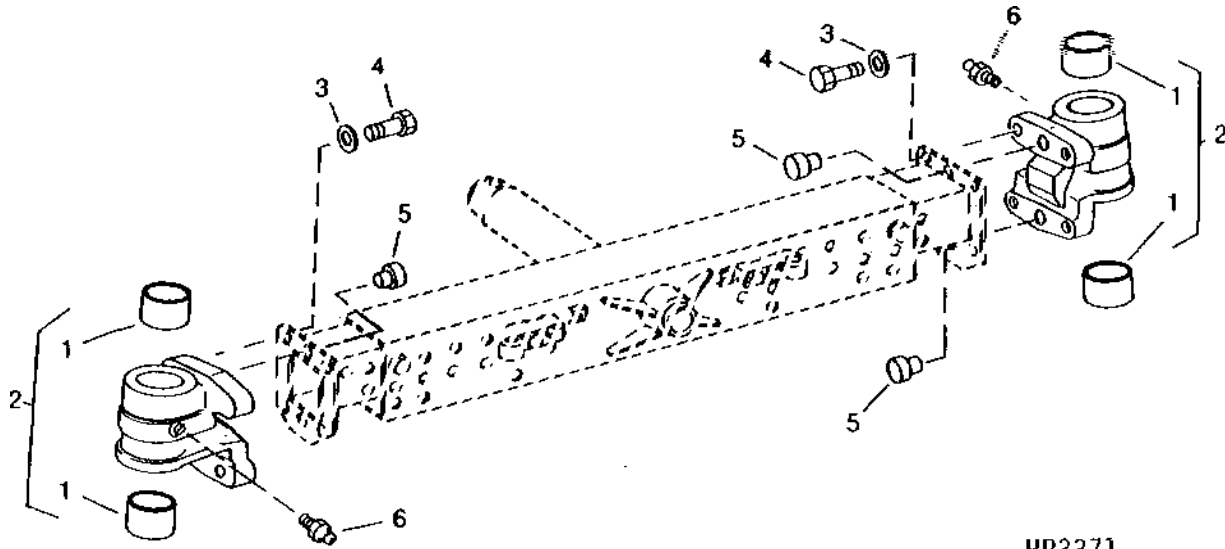
2F21

**REAR AXLE SPINDLES - CONTINUED
(FIXED AND ADJUSTABLE REAR AXLE)**

KEY	PART NO.	PART NAME	QTY	SERIAL NO.	REMARKS
1	19H1895	CAP SCREW	2		1/2" X 3/4"
2	24H1916	WASHER	2		17/32" X 3-1/2" X 0.180"
3	H96869	CAP	2		
4	H102206	THRUST BEARING	4		
5	AH125654	SPINDLE	1		(L.H.)
6	AH125655	SPINDLE	1		(R.H.)
7	11M7030	COTTER PIN	2		5 X 40 MM
8	H94951	SLEEVE	2		
9	AH93892	SEAL	2		
10	JD8952	BEARING	2		
11	JD8258	BEARING CUP	2		
12	HUB	2		
13	JD8237	BEARING CUP	2		
14	JD8902	BEARING CONE	2		
15	R30399	WASHER	2		
16	14H920	NUT	2		1"
17	H94950	CAP	2		
18	JD7759	LUBRICATION FITTING	2		STRAIGHT, 1/8"
19	AH130871	HUB	2		(SUB AH162573)
	AH162573	HUB	2		

2F22

**REAR AXLE SPINDLE HOUSING
(FIXED AND ADJUSTABLE REAR AXLE)**
HP3371 -UN-01JAN94



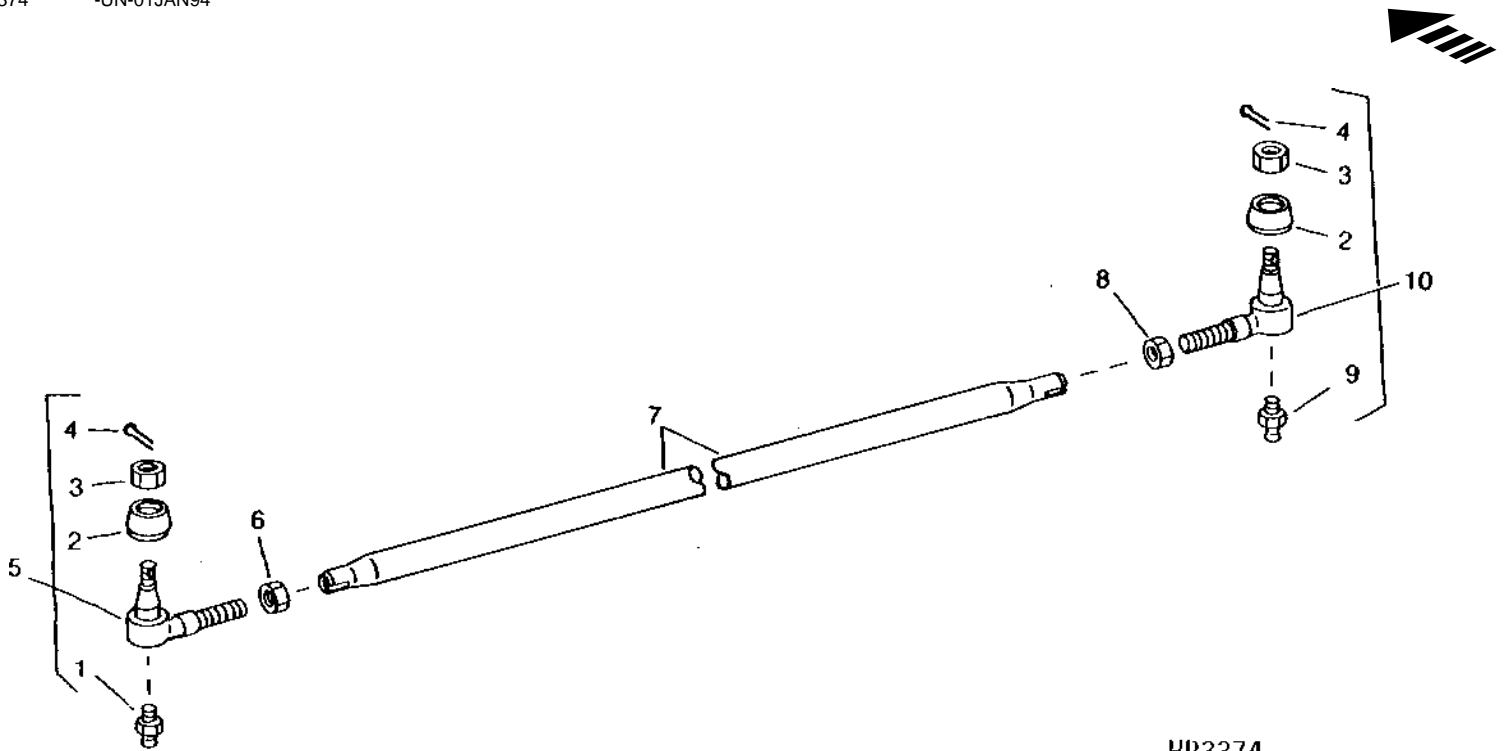
HP3371

KEY	PART NO.	PART NAME	QTY	SERIAL NO.	REMARKS
1	H158884	BUSHING	4		
2	AH156821	HOUSING	2		
3	H144293	WASHER	1		
4	19H3126	CAP SCREW	8	3/4" X 2-1/4"	
5	H75423	PIN	4	22.073 X 19.812 MM (0.869" X 0.780")	
6	JD7759	LUBRICATION FITTING	2		

2F23

STEERING AND BRAKES

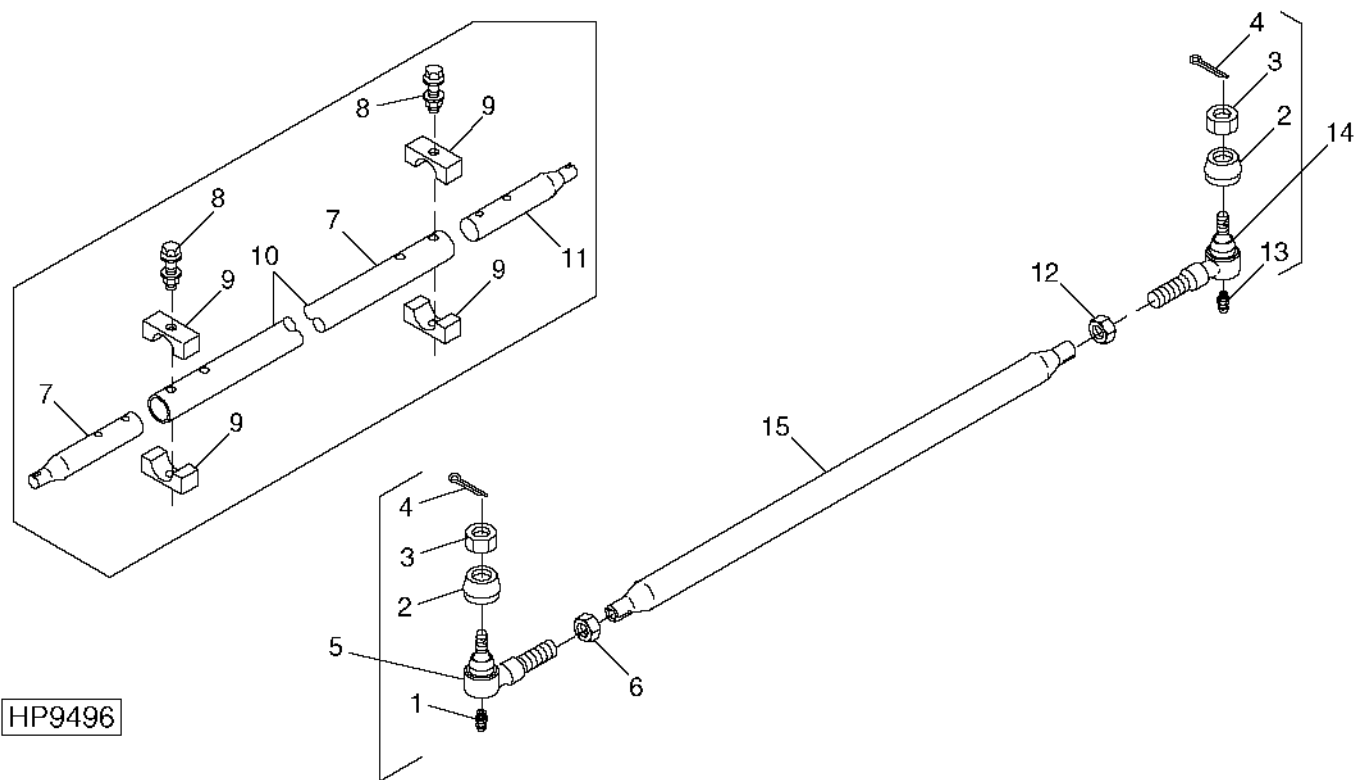
STEERING TIE RODS
(FIXED REAR AXLE)
(NON-POWERED)
HP3374 -UN-01JAN94



HP3374

KEY	PART NO.	PART NAME	QTY	SERIAL NO.	REMARKS
1	JD7797	LUBRICATION FITTING	1		
2	R78027	COVER	2		(TRW ONLY)
3	14H902	NUT	2		3/4"
4	11M7092	COTTER PIN	2	-675248	3.200 X 40 MM
	11M7087	COTTER PIN	2	675249-	4 X 40 MM
5	RE12326	TIE ROD END	1		(L.H. THREAD)
6	R78026	NUT	1		28.575 MM (1-1/8") (L.H.)
7	H134557	TUBE	1		
8	R78025	LOCK NUT	1		28.575 MM (1-1/8") (R.H.)
9	JD7788	LUBRICATION FITTING	1		(R.H.)
10	RE12325	TIE ROD END	1		(R.H.THREAD)

STEERING TIE RODS
(FIXED REAR AXLE)
(4-WHEEL DRIVE)
HP9496 -UN-18JAN00



HP9496

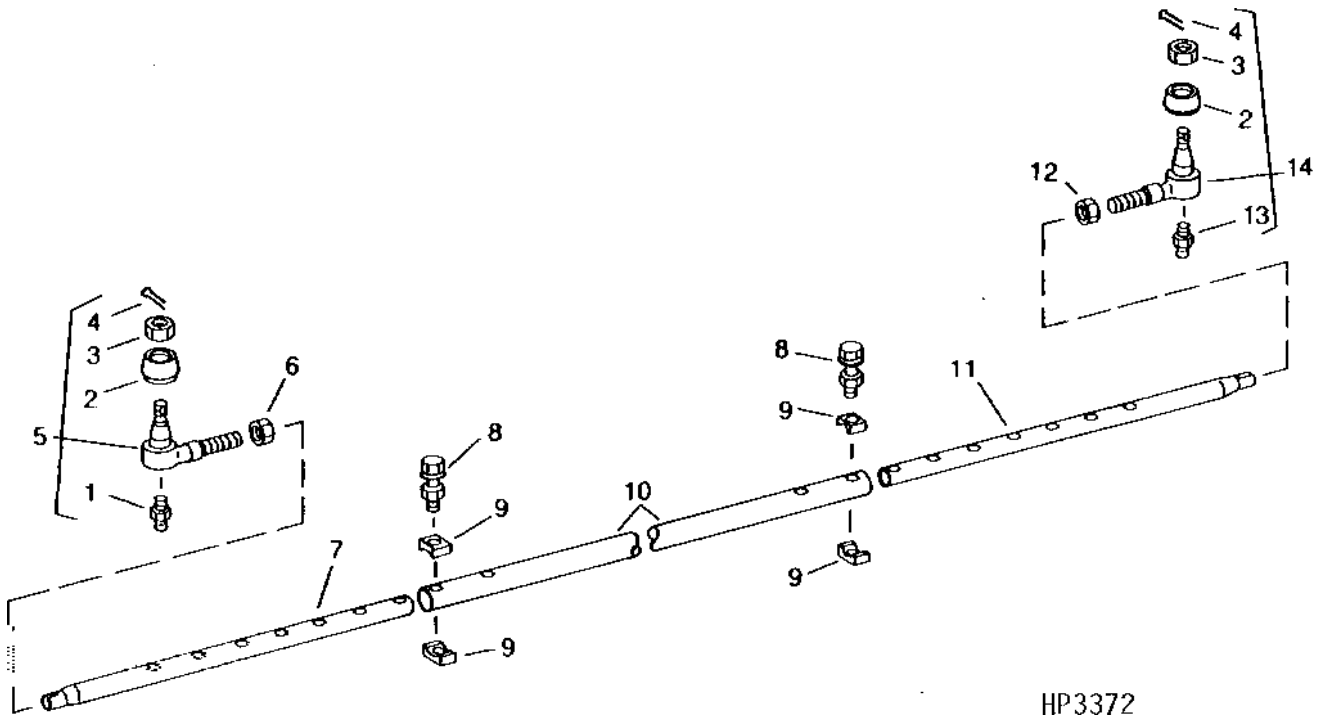
2F25

STEERING AND BRAKES

**STEERING TIE RODS - CONTINUED
(FIXED REAR AXLE)
(4-WHEEL DRIVE)**

KEY	PART NO.	PART NAME	QTY	SERIAL NO.	REMARKS
1	JD7797	LUBRICATION FITTING	1		
2	R78027	COVER	2		(TRW ONLY)
3	14H902	NUT	2		3/4"
4	11M7092	COTTER PIN	2	-675248	3.200 X 40 MM
	11M7087	COTTER PIN	2	675249-	4 X 40 MM
5	RE12326	TIE ROD END	1		(L.H.THREAD)
6	R78026	NUT	1		(L.H.)
7	H136335	TUBE	1		(L.H.) (SUB H173218)
8	19M7820	SCREW	4		
	14M7401	LOCK NUT	4		M12
9	H139807	CLAMP	8		
10	H140382	TUBE	1		
11	H136334	TUBE	1		(R.H.) (SUB H173218)
12	R78025	LOCK NUT	1		(R.H.)
13	JD7788	LUBRICATION FITTING	1		
14	RE12325	TIE ROD END	1		(R.H.THREAD)
15	H173218	TUBE	1		(SUB FOR H136334 OR H136335)
..	BH79199	COMPLETE GOODS/SHIP. BUNDLE	1		POWERED REAR AXLE CONVERSION (TIE ROD)

STEERING TIE RODS
(ADJUSTABLE REAR AXLE)
(NON-POWERED AND 4-WHEEL DRIVE)
HP3372 -UN-01JAN94

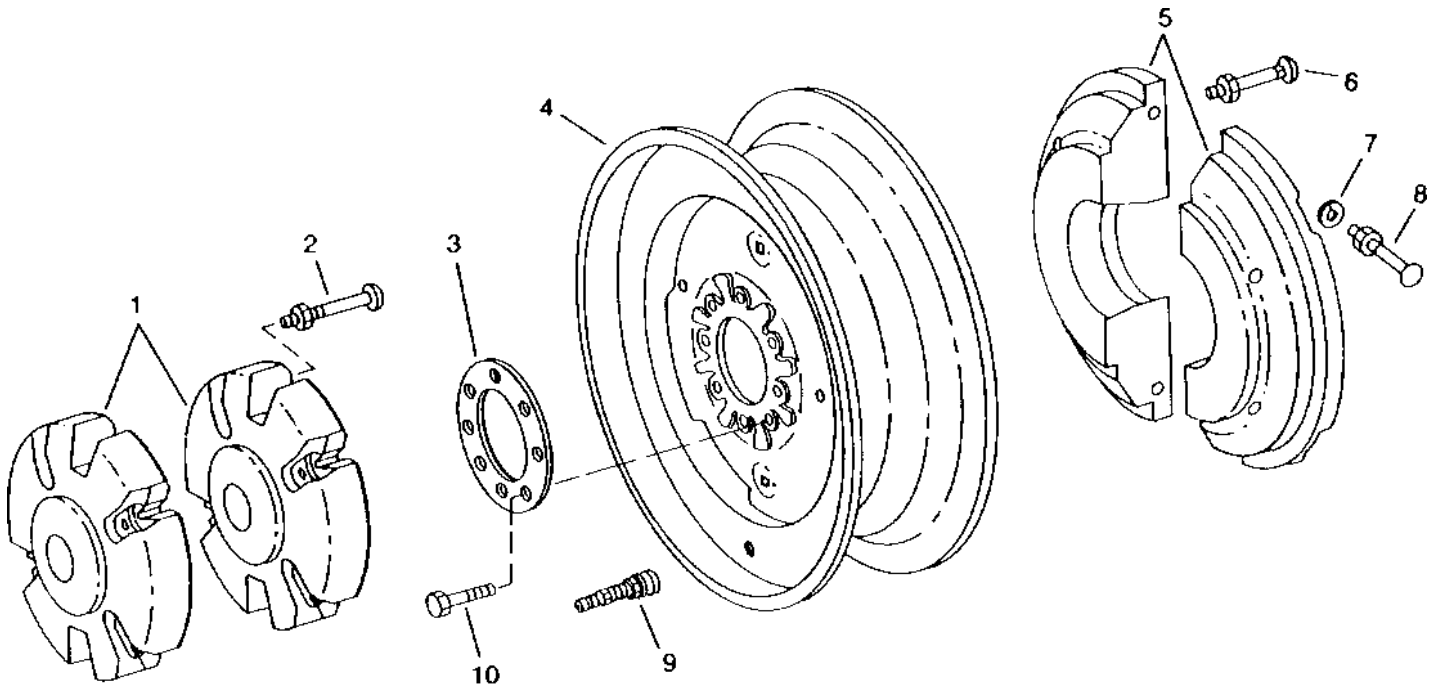


HP3372

STEERING TIE RODS - CONTINUED
 (ADJUSTABLE REAR AXLE)
 (NON-POWERED AND 4-WHEEL DRIVE)

KEY	PART NO.	PART NAME	QTY	SERIAL NO.	REMARKS
1	JD7797	LUBRICATION FITTING	1		
2	R78027	COVER	2		(TRW ONLY)
3	14H902	NUT	2		3/4"
4	11M7092	COTTER PIN	2	-675248	3.200 X 40 MM
	11M7087	COTTER PIN	2	675249-	4 X 40 MM
5	RE12326	TIE ROD END	1		(L.H.THREAD)
6	R78026	NUT	1		28.575 MM (1-1/8") (L.H.)
7	H130227	TUBE	1		(L.H.)
8	19M7820	SCREW	4		M12 X 100
	14M7401	LOCK NUT	4		M12
9	H139807	CLAMP	8		
10	H140382	TUBE	1		(CENTER) (NON-POWERED REAR AXLE)
	H140383	TUBE	1		(CENTER) (4-WHEEL DRIVE REAR AXLE)
11	H130228	TUBE	1		(R.H.)
12	R78025	LOCK NUT	1		(R.H.)
13	JD7788	LUBRICATION FITTING	1		
14	RE12325	TIE ROD END	1		(R.H.THREAD)
..	BH79904	COMPLETE GOODS/SHIP. BUNDLE	1		4-WHEEL DRIVE CONVERSION

REAR WHEELS AND WHEEL WEIGHTS
HP3379 -UN-01JAN94



HP3379

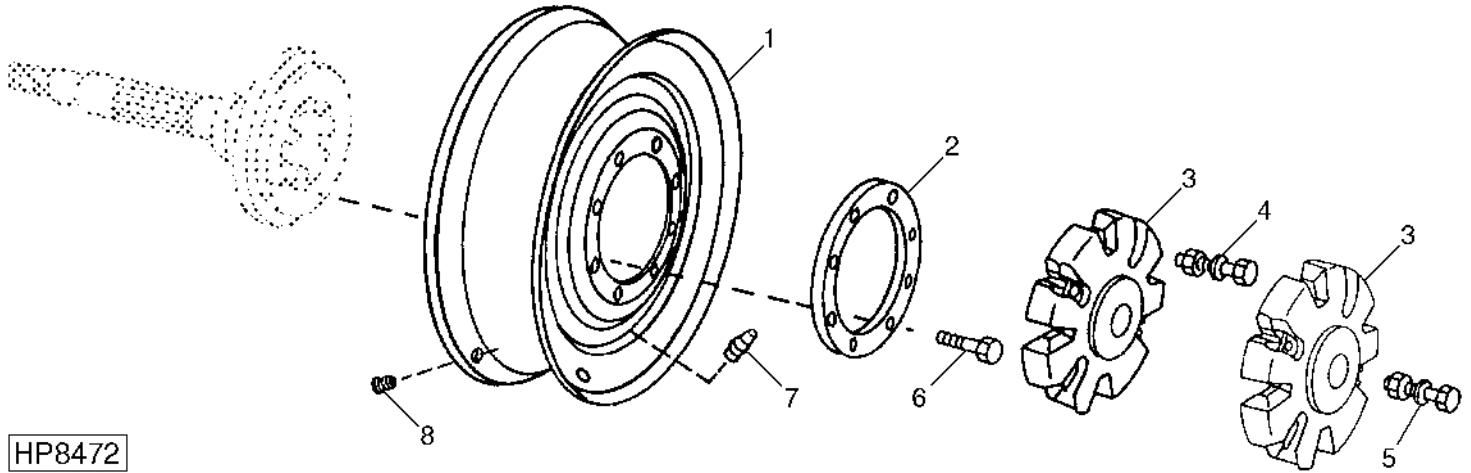
REAR WHEELS AND WHEEL WEIGHTS - CONTINUED

KEY	PART NO.	PART NAME	QTY	SERIAL NO.	REMARKS
1	H103543	WEIGHT	AR		OUTSIDE (USE 1 OR 2)
2	03H1858	BOLT	4		5/8" X 3-1/2"
	12H294	LOCK WASHER	4		5/8"
	14H1039	NUT	4		5/8"
3	H84375	RING	1		
4	AH117662	WHEEL	1		(W10H-24)
	AH122100	WHEEL	1		(W12H-24)
	AH144695	WHEEL	1		(26XDW25A) (SUB AH167584)
	AH167584	WHEEL	1		(26XDW25A)
	AH167434	WHEEL	1		(DW14-26) (SUB FOR AH135217)
5	H95547	WEIGHT	2		INSIDE
6	03H1605	BOLT	4		5/8" X 4" (WITH INSIDE WEIGHTS)
	03H1860	BOLT	4		5/8" X 6" (WITH INSIDE AND OUTSIDE WEIGHTS)
	12H294	LOCK WASHER	4		5/8"
	14H1039	NUT	4		5/8"
7	24H1111	WASHER	2		17/32" X 1-1/16" X 0.090"
8	03H1852	BOLT	2		1/2" X 4"
	12H301	LOCK WASHER	2		1/2"
	14H1040	NUT	2		1/2"
9	AT25226	TIRE VALVE STEM	1		
10	H163491	CAP SCREW	8		
..	H145995	LABEL	2		"IMPORTANT" WHEEL BOLT TORQUE
..	H150646	DECAL	2		"IMPORTANT" 15 PSI (103 PKA) (28L X 26-10 OR 12 PLY TIRE)
..	H174266	LABEL	2		(SUB FOR H151575) "IMPORTANT" ON AXLE STOP (28L X 26-10 OR 12 PLY TIRE)
..	H111541	LABEL	2		"IMPORTANT" 40 PSI (275 KPA) (11.0 X 24-8 PLY TIRES)
..	H127073	LABEL	2		(FRENCH) "IMPORTANT" 40 PSI (275 KPA) (11.0 X 24-8 PLY TIRES)
..	H140709	LABEL	2		"IMPORTANT" 26 PSI (180 KPA) (14.9 X 24 - 6 PLY TIRES)
..	H140749	LABEL	2		(FRENCH) "IMPORTANT" 26 PSI (180 KPA) (14.9 X 24-6 PLY TIRES)
..	H108604	LABEL	2		"IMPORTANT" 20 PSI (140 KPA) (18.4 X 26-6 PLY TIRES) AND (18.4 X 30-6 PLY TIRES)
..	H127067	LABEL	2		(FRENCH) "IMPORTANT" 20 PSI (140 KPA) (18.4 X 26-6 PLY TIRES)
..	H127070	LABEL	2		
..	H153728	LABEL	2		TIRE CLEARANCE (18.4 X 30 R2 TIRES ONLY)
..	H140710	LABEL	2		TIRE PRESSURE (16.9 X 26 X 10 TIRES) 34 PSI
..	BH71727	COMPLETE GOODS/SHIP. BUNDLE	1		WHEEL WEIGHTS - OUTSIDE
..	BH71728	COMPLETE GOODS/SHIP. BUNDLE	1		WHEEL WEIGHTS - AUXILIARY
..	BH71735	COMPLETE GOODS/SHIP. BUNDLE	1		WHEEL WEIGHTS - OUTSIDE
..	BH81079	COMPLETE GOODS/SHIP. BUNDLE	1		TIRE/WHEEL ASSEMBLY (L.H.) - 28L X 26 R1, 10 PLY
..	BH81080	COMPLETE GOODS/SHIP. BUNDLE	1		TIRE/WHEEL ASSEMBLY (R.H.) - 28L X 26 R1, 10 PLY
..	BH81081	COMPLETE GOODS/SHIP. BUNDLE	1		TIRE/WHEEL ASSEMBLY (L.H.) - 28L X 26 R2, 12 PLY
..	BH81082	COMPLETE GOODS/SHIP. BUNDLE	1		TIRE/WHEEL ASSEMBLY (R.H.) - 28L X 26 R2, 12 PLY

NOTE: QUANTITIES SHOWN ARE FOR ONE UNIT, TWO UNITS USED PER MACHINE

**REAR WHEELS
(4-WHEEL DRIVE / CAM LOBE MOTOR)**

HP8472 -UN-21APR99

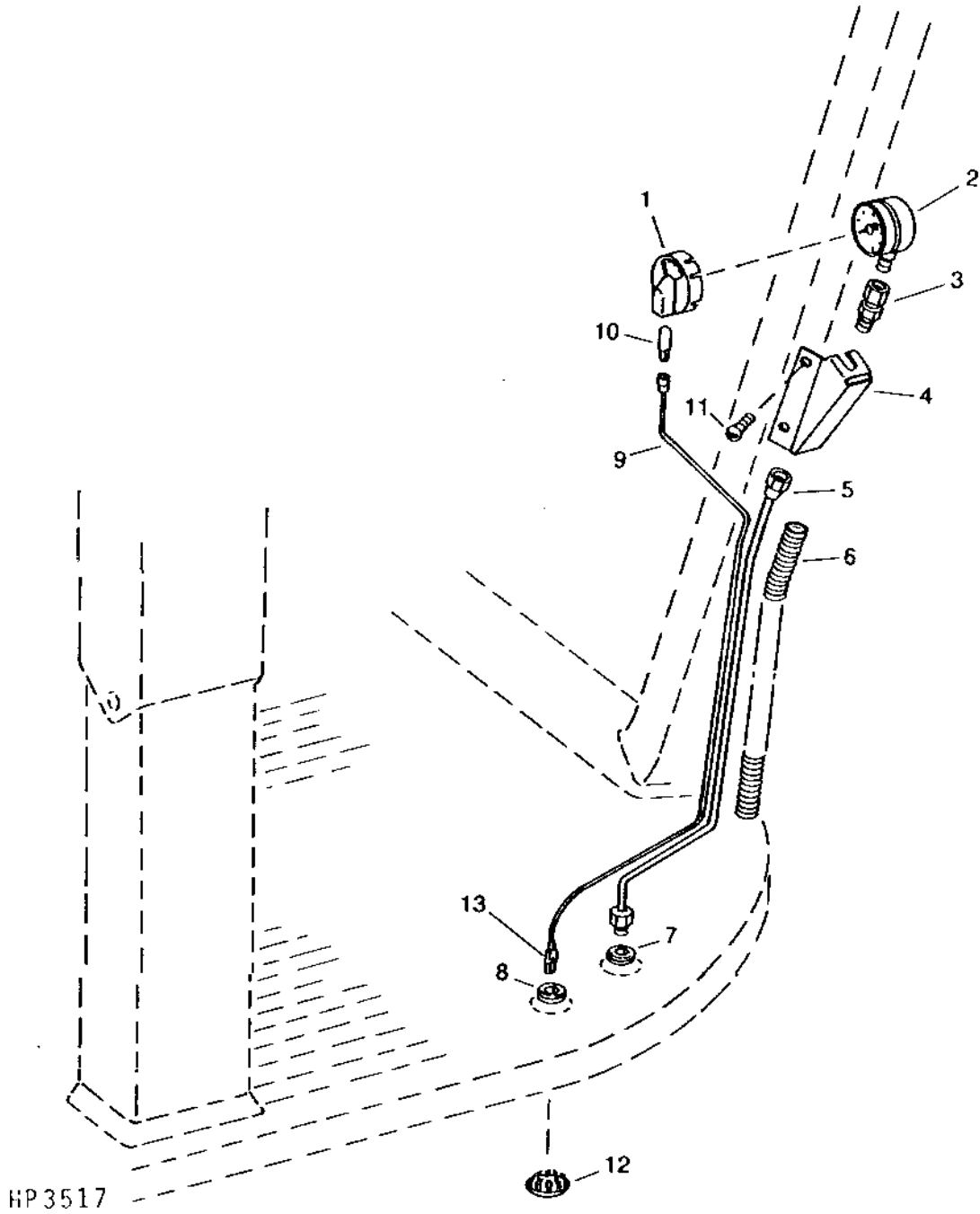


KEY	PART NO.	PART NAME	QTY	SERIAL NO.	REMARKS
1	AH64610	WHEEL	1	(DW16X26) (SUB AH167582)	
	AH167582	WHEEL CENTER	1	(DW16X26)	
	AH138809	WHEEL	1	(DW16X30)	
2	H84375	RING	1		
3	H103543	WEIGHT	2	(OPTIONAL)	
4	03H2075	BOLT	4	5/8" X 3"	
	12H294	LOCK WASHER	4	5/8"	
	14H760	NUT	4	5/8"	
5	03H1858	BOLT	4	5/8" X 3-1/2"	
	12H294	LOCK WASHER	4	5/8"	
	14H760	NUT	4	5/8"	
6	19H3343	CAP SCREW	4	5/8" X 2"	
7	AT25226	TIRE VALVE STEM	1		
8	AH86866	PLUG	1		
..	H145995	LABEL	2		"IMPORTANT" WHEEL BOLT TORQUE
..	BH71727	COMPLETE GOODS/SHIP. BUNDLE	1		WHEEL WEIGHTS - OUTSIDE
..	BH71728	COMPLETE GOODS/SHIP. BUNDLE	1		WHEEL WEIGHTS - AUXILIARY
..	BH71735	COMPLETE GOODS/SHIP. BUNDLE	1		WHEEL WEIGHTS - OUTSIDE
..	BH71748	COMPLETE GOODS/SHIP. BUNDLE	1		4-WHEEL DRIVE CONVERSION
..	BH71749	COMPLETE GOODS/SHIP. BUNDLE	1		4-WHEEL DRIVE CONVERSION

NOTE: QUANTITIES SHOWN ARE FOR ONE UNIT. TWO UNITS USED PER MACHINE.

MEMORANDA

ACCUMULATOR PRESSURE GAUGE AND WIRING HARNESS
HP3517 -UN-01JAN94



2G10

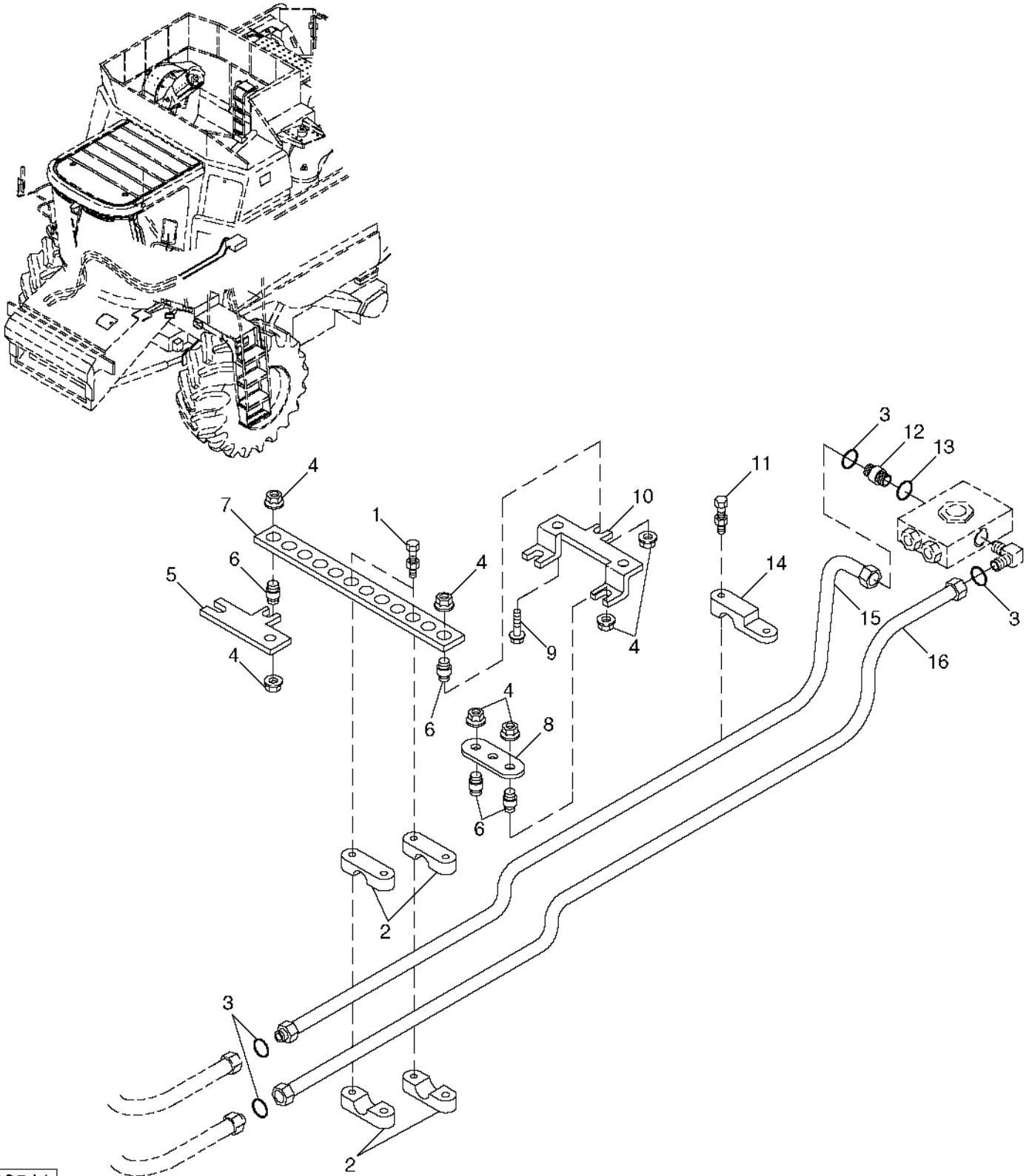
HYDRAULICS

ACCUMULATOR PRESSURE GAUGE AND WIRING HARNESS - CONTINUED

KEY	PART NO.	PART NAME	QTY	SERIAL NO.	REMARKS
1	H111378	COVER	1		
2	AH108080	PRESSURE GAUGE	1		
3	AB18206	ADAPTER	1		(WITH JAM NUT)
4	AH132832	BRACKET	1		
5	AH132027	OIL LINE	1		
6	H137523	CONDUIT	1		
7	T65643	GROMMET	1		
8	T63817	GROMMET	1		
9	AH134205	WIRING LEAD	1		
10	AH108380	BULB	1		
11	H165691	SCREW	2		M6 X 20, (SUB FOR H131591 OR H168780)
12	R32239	PLUG	2		USE WITHOUT ACCUM. GAUGE
13	RE12363	CONNECTOR	1		(PKG OF 3)
	R78048	TERMINAL NIPPLE	1		(PKG OF 5)

2G11

REEL DRIVE HYDRAULIC LINES AND HOSES, L.H. SIDE
HP8511 -UN-21APR99



HP8511

2G12

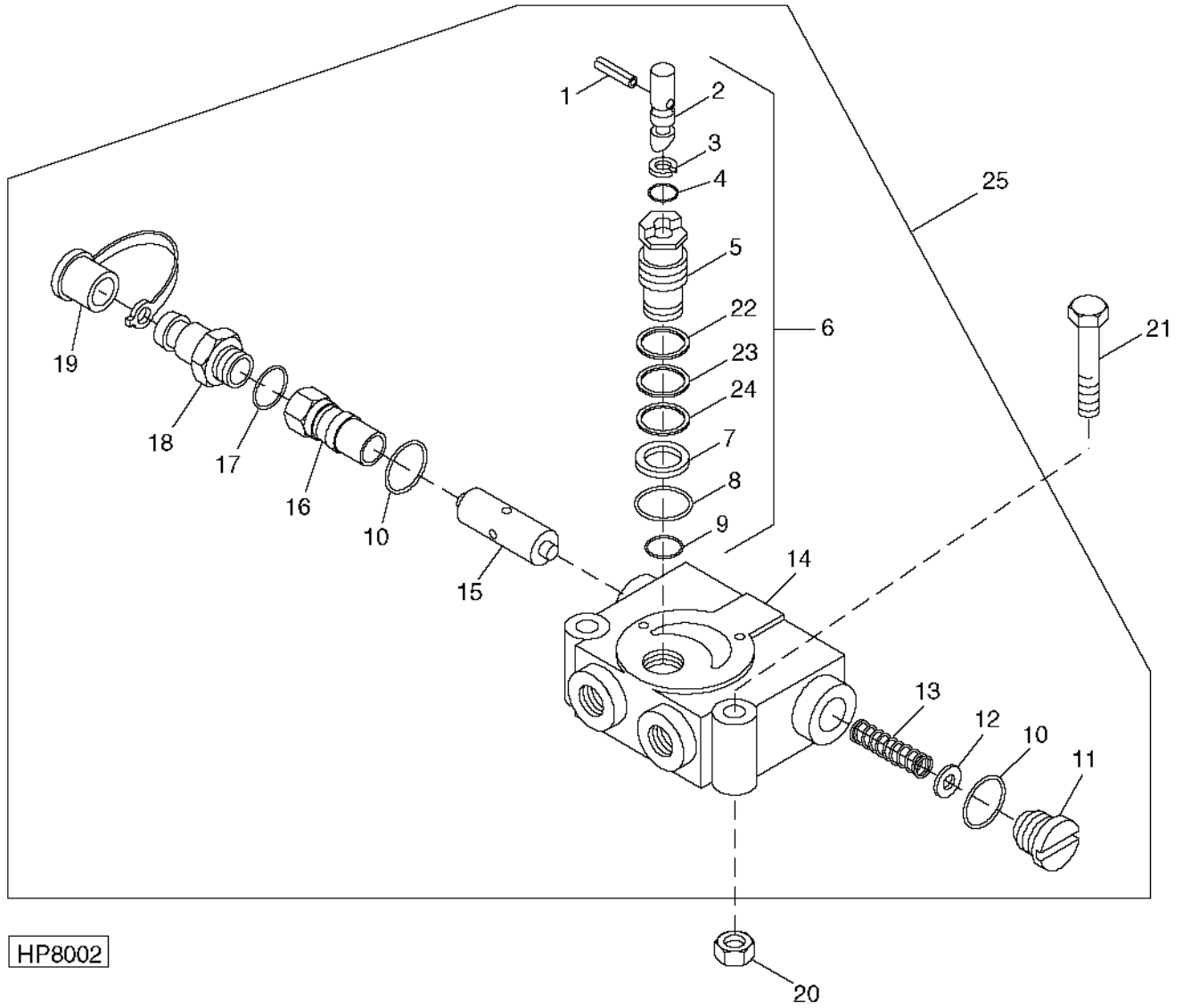
HYDRAULICS

REEL DRIVE HYDRAULIC LINES AND HOSES, L.H. SIDE - CONTINUED

KEY	PART NO.	PART NAME	QTY	SERIAL NO.	REMARKS
1	03M7189	BOLT	4		M8 X 45
	14M7298	FLANGE NUT	4		M8
2	H115533	CLAMP	4		
3	T77932	O-RING	4		
4	N10217	LOCK NUT	8		6.350 MM (1/4")
5	H134427	BRACKET	1		
6	AH126657	ISOLATOR	4		
7	H140298	STRAP	1		
8	H134425	STRAP	1		
9	37M7058	SCREW	4		M8 X 20
10	H140298	STRAP	1		SQUARE HOLES
11	19M7801	SCREW	1		M8 X 60
	14M7298	FLANGE NUT	1		M8
12	38H1162	ADAPTER	1		
13	R26906	O-RING	1		
14	H112162	CLAMP	1		
15	AH130209	HYDRAULIC LINE	1		(PRESSURE)
16	AH131317	HYDRAULIC LINE	1		(RETURN)

2G13

REEL DRIVE FLOW CONTROL VALVE
HP8002 -UN-02MAR99



2G14

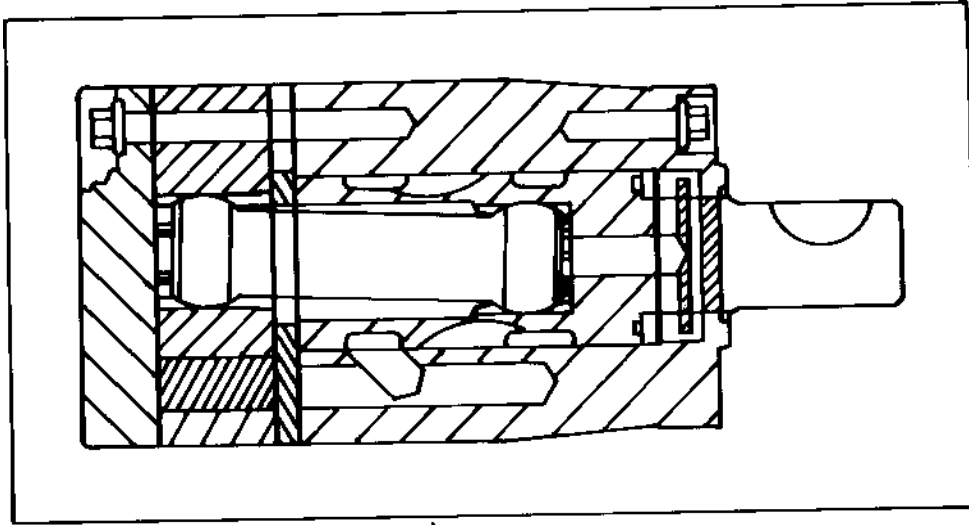
HYDRAULICS

REEL DRIVE FLOW CONTROL VALVE - CONTINUED

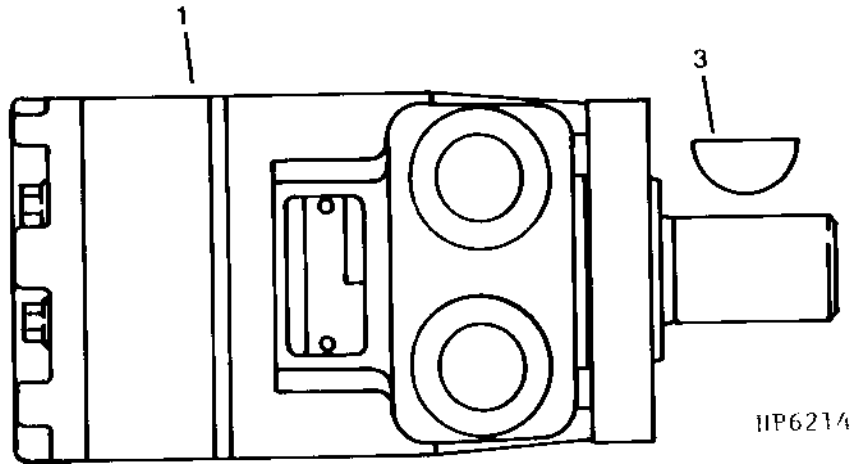
KEY	PART NO.	PART NAME	QTY	SERIAL NO.	REMARKS
1	GROOVE PIN	1		
2	STEM	1		
3	BACK-UP RING	1	(A)	
4	O-RING	1	(A)	
5	PLUG	1		
6	AH140903	KIT	1		
7	BACK-UP RING	1	(A)	
8	O-RING	1	(A)	
9	O-RING	1	(A)	
10	H63289	O-RING	2	(A)	20.295 X 2.616 MM
11	PLUG	1		
12	SHIM	1		
13	SPRING	1		
14	HOUSING	1		
15	SPOOL	1		
16	PLUG	1		
17	R26448	O-RING	1	(A)	11.887 X 1.981 MM
18	AH125760	HYD. QUICK-CONNECT COUPLER	1		DIAGNOSTIC
19	R77175	COVER	1		
20	14M7298	FLANGE NUT	2		M8
21	19M7801	SCREW	2		M8 X 60
22	SHIM	AR		
23	SHIM	AR		
24	SHIM	AR		
25	AH140902	CHECK VALVE	1		
..	AH136248	SEAL KIT	1		INCLUDES PARTS MARKED (A)

2G15

CHAFF SPREADER MOTOR (EATON)
HP6214 -UN-06DEC95



2



HP6214

2G16

HYDRAULICS

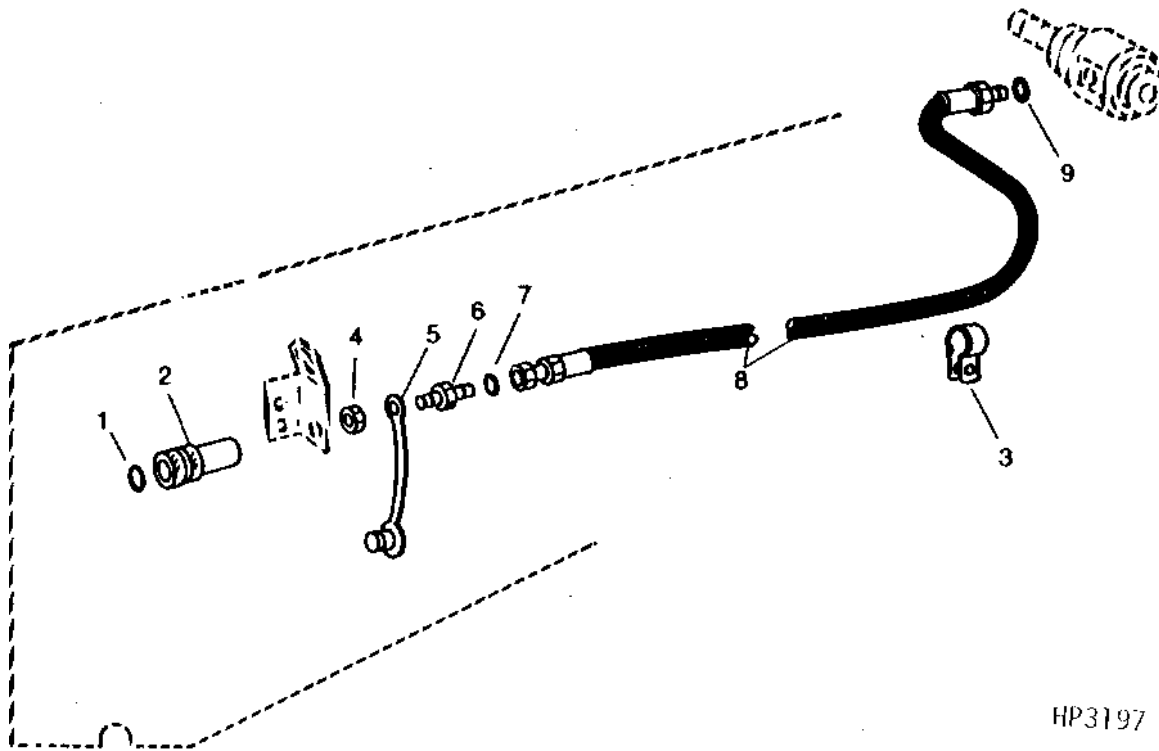
CHAFF SPREADER MOTOR (EATON) - CONTINUED

KEY	PART NO.	PART NAME	QTY	SERIAL NO.	REMARKS
1	AH141858	MOTOR	1		
2	AH144831	SEAL KIT	1		
3	26H22	SHAFT KEY	1		6.350 X 25.400 MM (1/4" X 1") WOODRUFF

2G17

HYDRAULICS

FEEDER HOUSE VARIABLE DRIVE HYDRAULIC HOSE
 HP3197 -UN-01JAN94



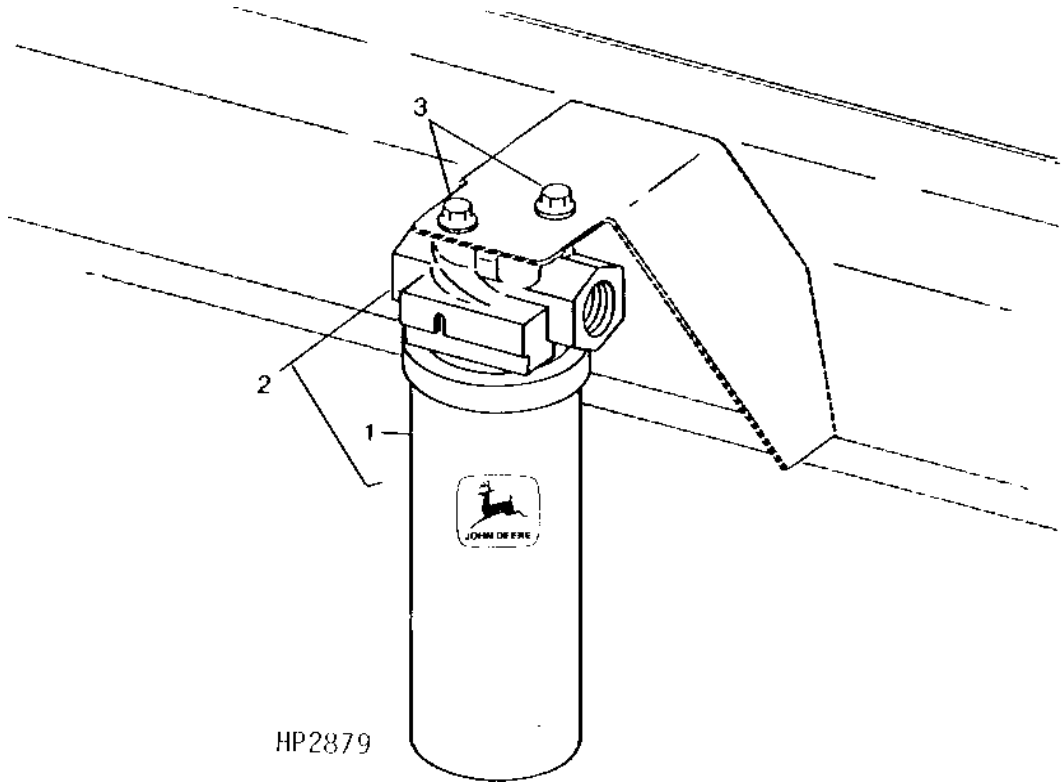
HP3197

KEY	PART NO.	PART NAME	QTY	SERIAL NO.	REMARKS
1	R26375	O-RING	1		16.358 X 2.210 MM (0.644" X 0.087")
2	AH75167	HYD. QUICK-CONNECT COUPLER	1		(INCLUDES INTERNAL O-RING)
3	T27523	CLAMP	1		
4	T81029	NUT	1		17.475 MM (11/16")
5	H125403	PLUG	1		
6	AH121643	ORIFICE	1		
7	T77613	O-RING	1		9.246 X 1.778 MM (0.364" X 0.070")
8	AH156388	HYDRAULIC HOSE - FABRICATE	1		6.35MM ID BY 1115MM LONG X 7/16-20 LONG X 11/16"
9	R28782	O-RING	1		8.915 X 1.829 MM (0.351" X 0.072")
..	BH79019	COMPLETE GOODS/SHIP. BUNDLE	1		HEADER CONVERSION KIT (1984-87)

2G18

HYDRAULICS

MAIN HYDRAULIC FILTER ASSEMBLY
HP2879 -UN-01JAN94



HP2879

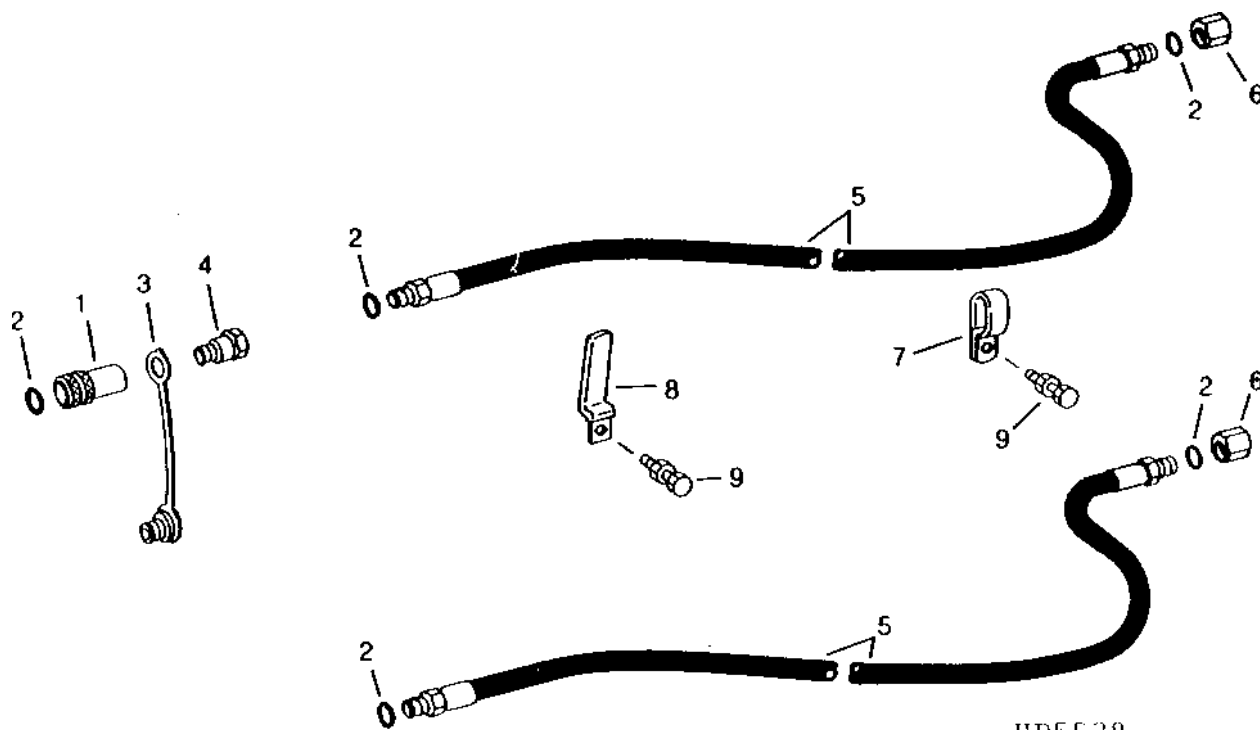
KEY	PART NO.	PART NAME	QTY	SERIAL NO.	REMARKS
1	AH128449	HYDRAULIC FILTER	1		
2	AH125733	FILTER HEAD	1		
3	19M7784	SCREW	2	M10 X 20	

2G19

HYDRAULICS

200 SERIES CUTTING PLATFORM HYDRAULIC CONVERSION PARTS

HP5528 -UN-01JAN94



HP5528

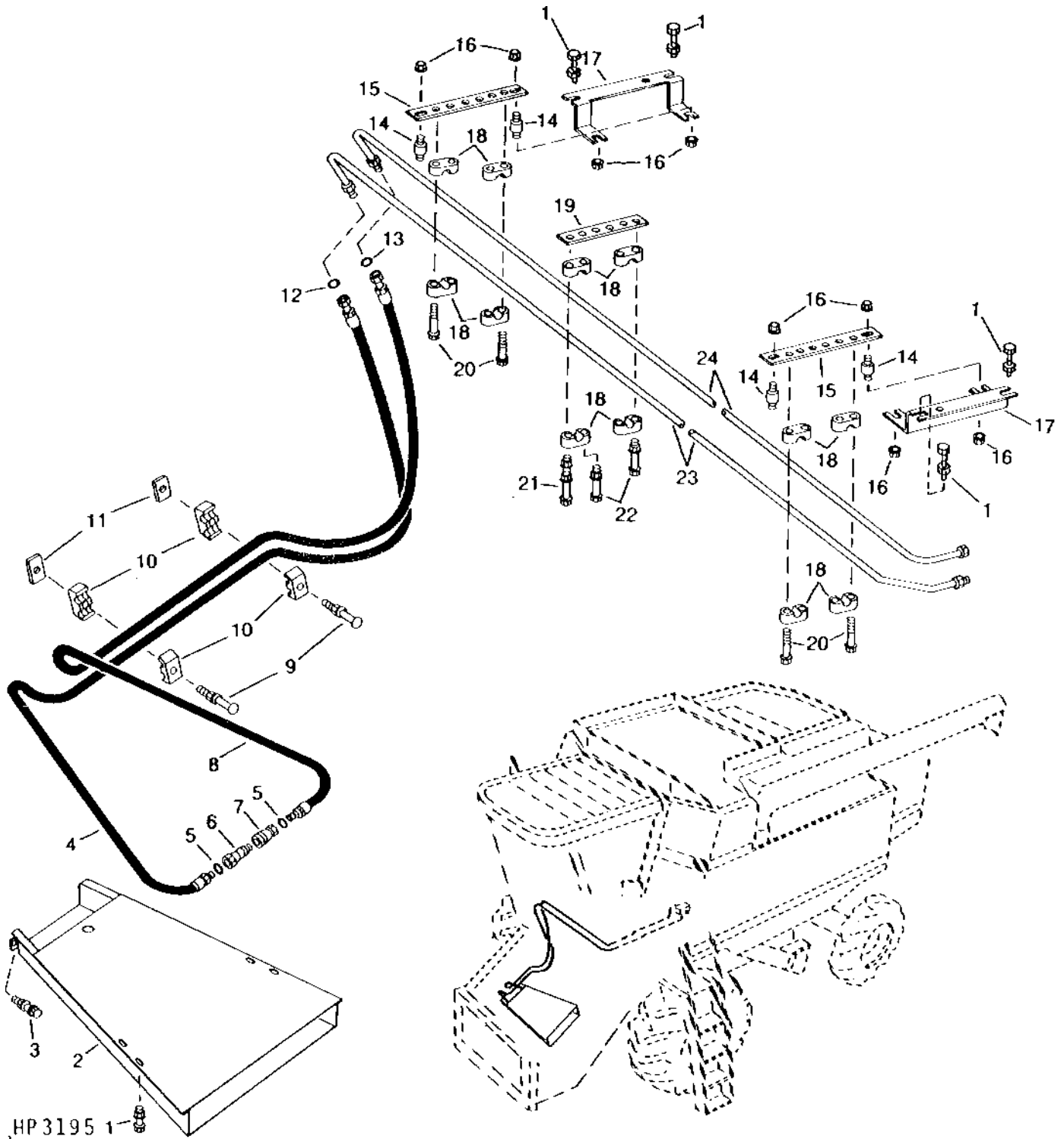
KEY	PART NO.	PART NAME	QTY	SERIAL NO.	REMARKS
1	AH75167	HYD. QUICK-CONNECT COUPLER	1		(INCLUDES INTERNAL O-RING)
2	R26375	O-RING	5		16.358 X 2.210 MM (0.644" X 0.087")
3	H125403	PLUG	1		
4	H35112	ADAPTER	1		
5	AH130936	HYDRAULIC HOSE	2		3/4" X 2 640 MM (104") X 3/4"
6	R30815	FITTING	2		
7	AH77869	CLIP	3		
8	AH78124	CLIP	1		
9	19M7866	SCREW	4		M8 X 20
	14M7298	FLANGE NUT	4		M8
..	BH79019	COMPLETE GOODS/SHIP. BUNDLE	1		HEADER CONVERSION KIT

MEMORANDA

2G20

HYDRAULICS

REEL DRIVE HYDRAULIC LINES AND HOSES, FRONT
HP3195 -UN-01JAN94



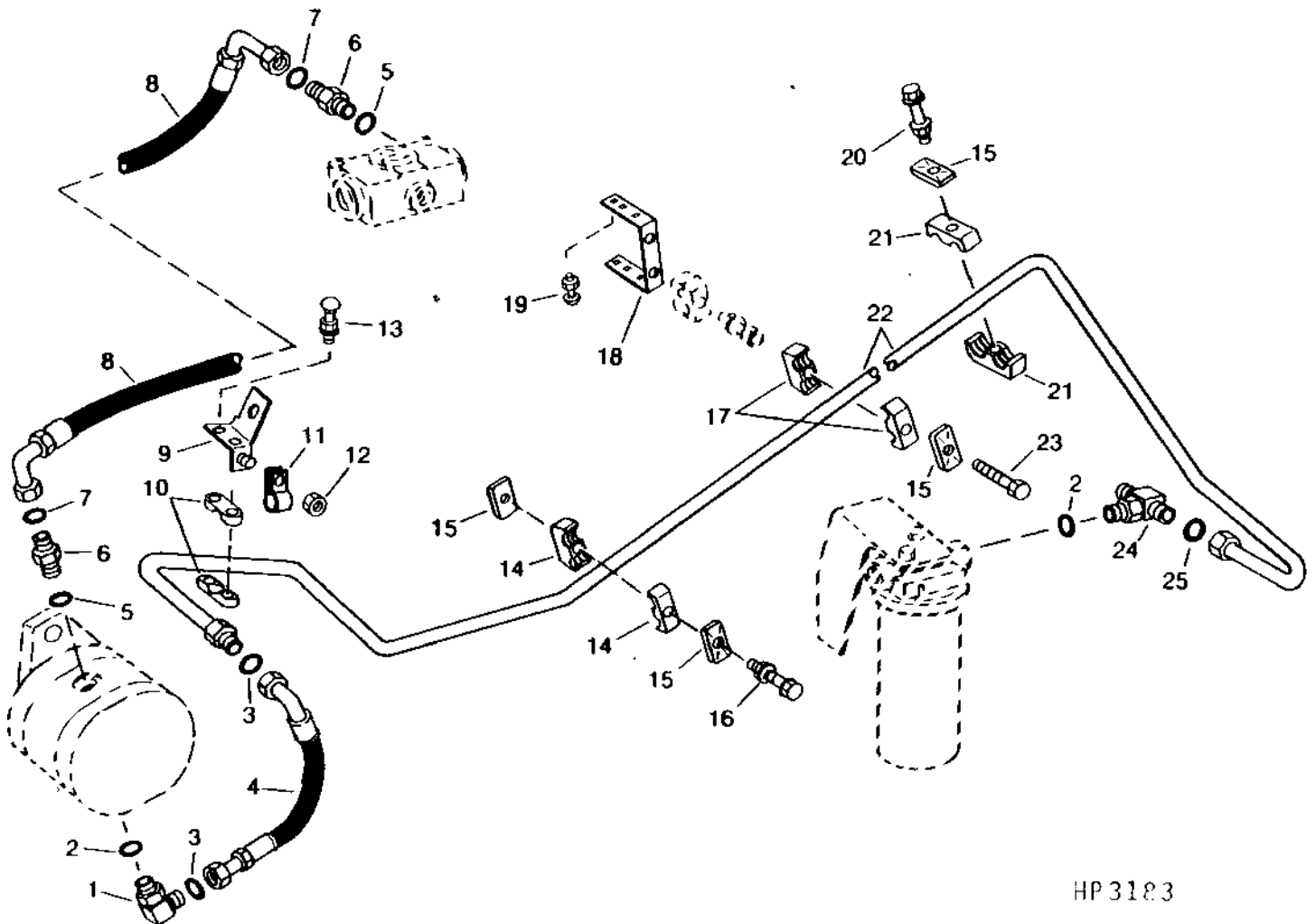
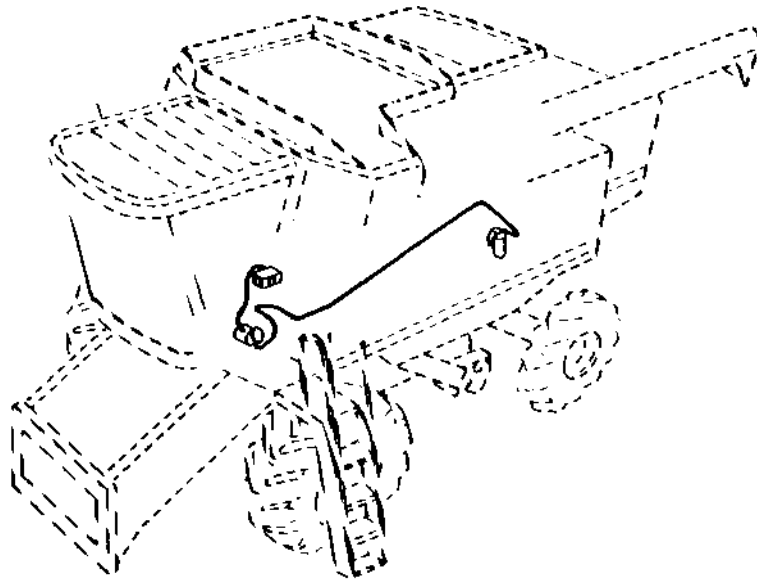
REEL DRIVE HYDRAULIC LINES AND HOSES, FRONT - CONTINUED

KEY	PART NO.	PART NAME	QTY	SERIAL NO.	REMARKS
1	19M7865	SCREW	6	M8 X 16	
	14M7298	FLANGE NUT	6	M8	
2	AH131303	PAN	1		
3	19M7784	SCREW	2	M10 X 20	
	14M7296	FLANGE NUT	2	M10	
4	AH130564	HYDRAULIC HOSE	1	3/4" X 2 927 MM (115-1/4") X 1" (RETURN)	
5	R26375	O-RING	2		
6	AR94522	INTERNAL HALF COUPLER	1		
7	AH75167	HYD. QUICK-CONNECT COUPLER	1	(INCLUDES INTERNAL O-RING)	
	P45750	O-RING	1		
	L24517	BACK-UP RING	1		
	T12960	SNAP RING	1		
8	AH130563	HYDRAULIC HOSE	1	3/4" X 2 852 MM (112-1/4") X 13/16" (PRESSURE)	
9	03M7245	BOLT	2	M8 X 55	
	14M7298	FLANGE NUT	2	M8	
10	H122772	CLAMP	4		
11	H112567	PLATE	2		
12	T77932	O-RING	1		
13	T77857	O-RING	1		
14	AH126657	ISOLATOR	4		
15	H134429	STRAP	2		
16	N10217	LOCK NUT	8	6.350 MM (1/4")	
17	H135618	BRACKET	2		
18	H115533	CLAMP	12		
19	H134558	STRAP	1		
20	37M7102	SCREW	8		
21	19M7979	SCREW	1	M8 X 55	
	14M7298	FLANGE NUT	2	M8	
22	19M8318	SCREW	3	M8 X 45	
	14M7298	FLANGE NUT	3	M8	
23	AH135684	HYDRAULIC LINE	1		
24	AH135686	HYDRAULIC LINE	1		

2G22

HYDRAULICS

REEL PUMP HYDRAULIC LINES AND HOSES
HP3183 -UN-01JAN94



HP3183

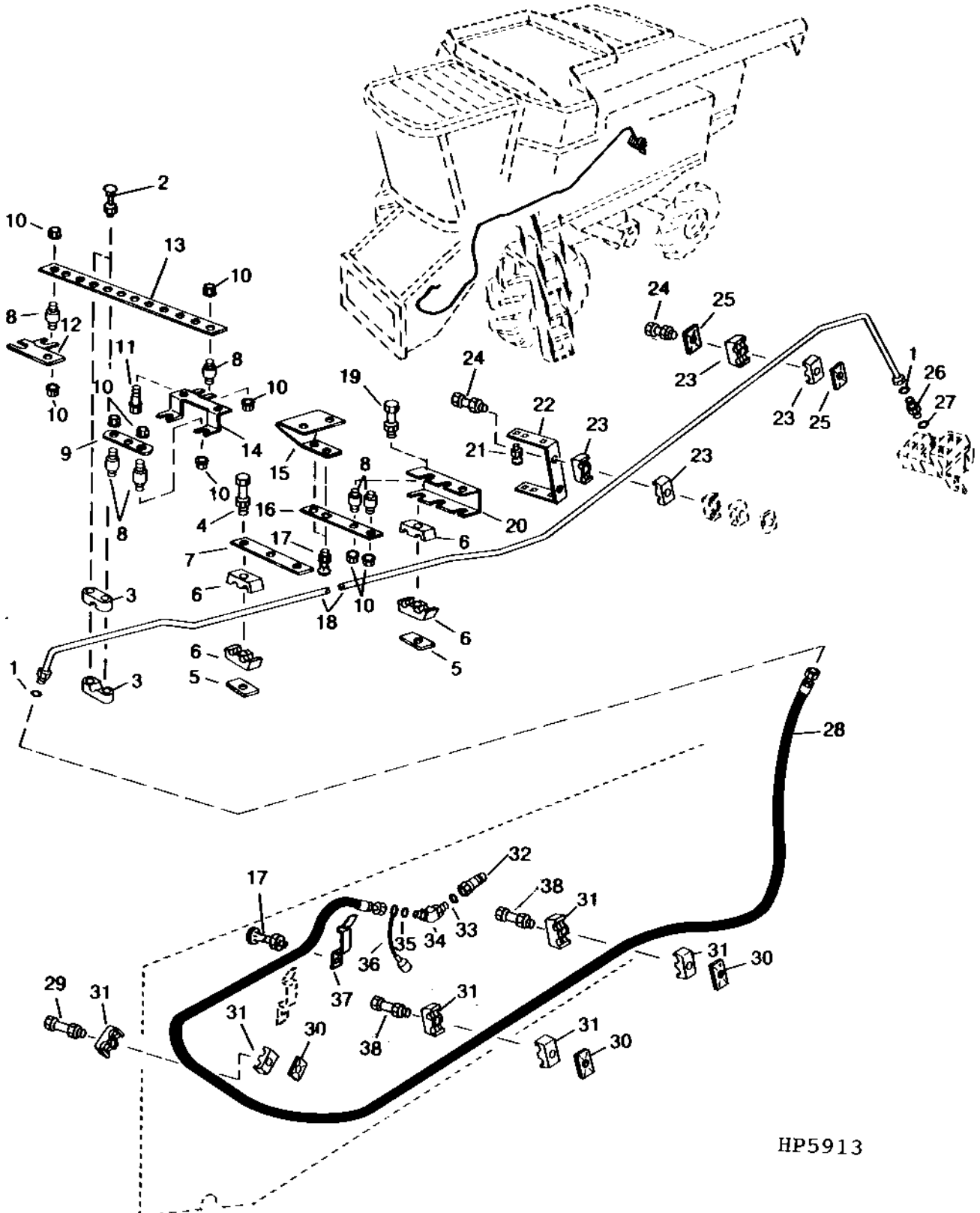
REEL PUMP HYDRAULIC LINES AND HOSES - CONTINUED

KEY	PART NO.	PART NAME	QTY	SERIAL NO.	REMARKS
1	38H1052	ELBOW FITTING	1		
2	R29936	O-RING	2		
3	T77858	O-RING	2		
4	AH128584	HYDRAULIC HOSE	1		1-3/16" X 390 MM (15-1/4") X 1-3/16" (REEL PUMP SUCTION)
5	R26906	O-RING	2		
6	38H1174	ADAPTER	2		
7	T77857	O-RING	2		
8	AH131876	HYDRAULIC HOSE	1		13/16" X 840 MM (33") X 13/16" (REEL PUMP PRESSURE)
9	AH126389	BRACKET	1		
10	H114432	CLAMP	2		
11	T72393	CLAMP	1		
12	14M7298	FLANGE NUT	1	M8	
13	03M7280	BOLT	2	M6 X 45 (RD. HEAD)	
	14M7303	FLANGE NUT	2	M6	
14	H114897	CLAMP	2		
15	H112567	PLATE	4		
16	19M7801	SCREW	1	M8 X 60	
	14M7298	FLANGE NUT	1	M8	
17	H114897	CLAMP	2		
18	H131115	BRACKET	1		
19	03M7184	BOLT	4	M8 X 20 (RD. HEAD)	
	14M7396	LOCK NUT	4	M8	
20	19M8319	SCREW	1	M8 X 50	
	14M7298	FLANGE NUT	1	M8	
21	H120362	CLAMP	2		
22	AH128859	OIL LINE	1		(REEL PUMP SUCTION)
23	19M8317	SCREW	1	M8 X 40	
24	38H1437	TEE FITTING	1		
25	T76938	O-RING	1		

2G24

HYDRAULICS

REEL LIFT LINES AND HOSES
HP5913 -UN-14FEB95



HP5913

2G25

HYDRAULICS

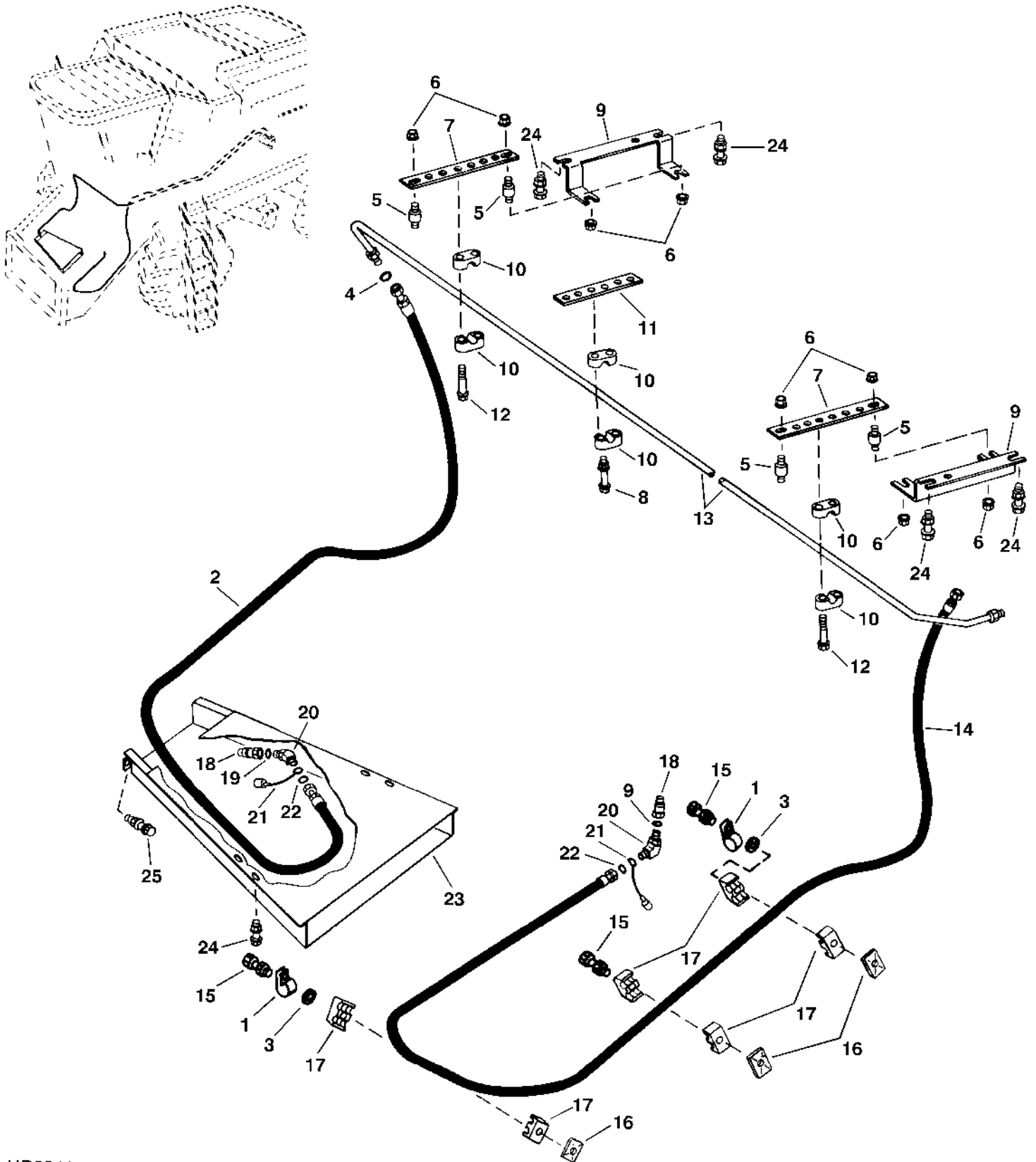
REEL LIFT LINES AND HOSES - CONTINUED

KEY	PART NO.	PART NAME	QTY	SERIAL NO.	REMARKS
1	T77613	O-RING	2		
2	03M7188	BOLT	2	M8 X 40	
	14M7298	FLANGE NUT	2	M8	
3	H116717	CLAMP	2		
4	19M7803	SCREW	1	M8 X 70	
	14M7298	FLANGE NUT	1	M8	
5	H121163	COVER	3	W/ REEL FORE/AFT OPTION	
	H121163	COVER	1	W/O REEL FORE/AFT OPTION	
6	H128515	CLAMP	8	W/ REEL FORE/AFT OPTION	
	H127589	CLAMP	4	W/O REEL FORE/AFT OPTION	
7	H131163	STRAP	1		
8	AH126657	ISOLATOR	6		
9	H134425	STRAP	1		
10	N10217	LOCK NUT	12	6.350 MM	
11	37M7092	SCREW	4	M8 X 16	
12	H134427	BRACKET	1		
13	H140298	STRAP	1	SQUARE HOLES	
14	H134424	BRACKET	1		
15	H138411	BRACKET	1		
16	H134434	SUPPORT	1		
17	03M7184	BOLT	3	M8 X 20	
	14M7298	FLANGE NUT	3	M8	
18	AH135688	HYDRAULIC LINE	1		
19	03M7216	BOLT	1		
	14M7298	FLANGE NUT	3	M8	
20	H134428	BRACKET	1		
21	19M7866	SCREW	4	M8 X 20	
	14M7396	LOCK NUT	4	M8	
22	H131115	BRACKET	1		
23	H109046	CLAMP	4		
24	19M7979	SCREW	2	M8 X 55, W/O REEL FORE/AFT OPTION	
	14M7298	FLANGE NUT	2	M8	
25	H121168	PLATE	3		
26	38H1160	ADAPTER	1		
27	R26448	O-RING	1		
28	AH130561	HYDRAULIC HOSE	1	9/16" X 2 794 MM (110") X 11/16"	
29	19M8319	SCREW	1	M8 X 50	
	14M7298	FLANGE NUT	1	M8	
	12M7032	LOCK WASHER	1	8.400 MM (0.331")	
30	H121168	PLATE	3		
31	H120847	CLAMP	6		
32	AR94522	INTERNAL HALF COUPLER	1		
33	R26375	O-RING	1		
34	38H1046	ELBOW FITTING	1		
35	T77857	O-RING	1		
36	A15898	CAP	1		
37	H136336	HOSE CLAMP	1		
38	19M7979	SCREW	2	M8 X 55	
	19M7298	CAP SCREW	2	M8 X 35	
	12M7032	LOCK WASHER	2	8.400 MM	
..	BH81383	COMPLETE GOODS/SHIP. BUNDLE	1	REEL FORE AND AFT CONVERSION BUNDLE	

2H1

REEL FORE-AND-AFT HYDRAULIC LINES AND HOSES, FRONT (OPTIONAL)

HP6941 -UN-29AUG97



HP6941

2H2

HYDRAULICS

**REEL FORE AND AFT HYDRAULIC LINES AND HOSES, FRONT - CONTINUED
(OPTIONAL)**

KEY	PART NO.	PART NAME	QTY	SERIAL NO.	REMARKS
1	AH96317	CLIP	3		
2	AH130561	HYDRAULIC HOSE	1		9/16" X 2 794 MM (110") X 11/16" (EXTEND)
3	12M7032	LOCK WASHER	3		8.400 MM (0.331")
4	T77814	O-RING	1		
5	AH126657	ISOLATOR	4		
6	N10217	LOCK NUT	8		
7	H134429	STRAP	2		
8	19M8317	SCREW	2		M8 X 40
	14M7298	FLANGE NUT	2		M8
9	H135618	BRACKET	2		
10	H116717	CLAMP	6		
11	H134558	STRAP	1		
12	37M7096	SCREW	4		M8 X 35
13	AH135682	HYDRAULIC LINE	1		
14	AH130560	HYDRAULIC HOSE	1		9/16" X 3 286 MM (129-1/4") X 11/16" (RETRACT)
15	19M8319	SCREW	3		M8 X 50
	14M7298	FLANGE NUT	3		M8
16	H121168	PLATE	3		
17	H120847	CLAMP	6		
18	AH116632	HYD. QUICK-CONNECT COUPLER	2		
19	R26448	O-RING	2		
20	38H1045	ELBOW FITTING	2		
21	AH124832	CAP	2		
22	T77613	O-RING	2		
23	AH131303	PAN	1		
24	19M7865	SCREW	6		M8 X 16
	14M7298	FLANGE NUT	6		M8
25	19M7784	SCREW	2		M10 X 20
	14M7296	FLANGE NUT	2		M10
..	BH78886	COMPLETE GOODS/SHIP. BUNDLE	1		CONVERSION BUNDLE

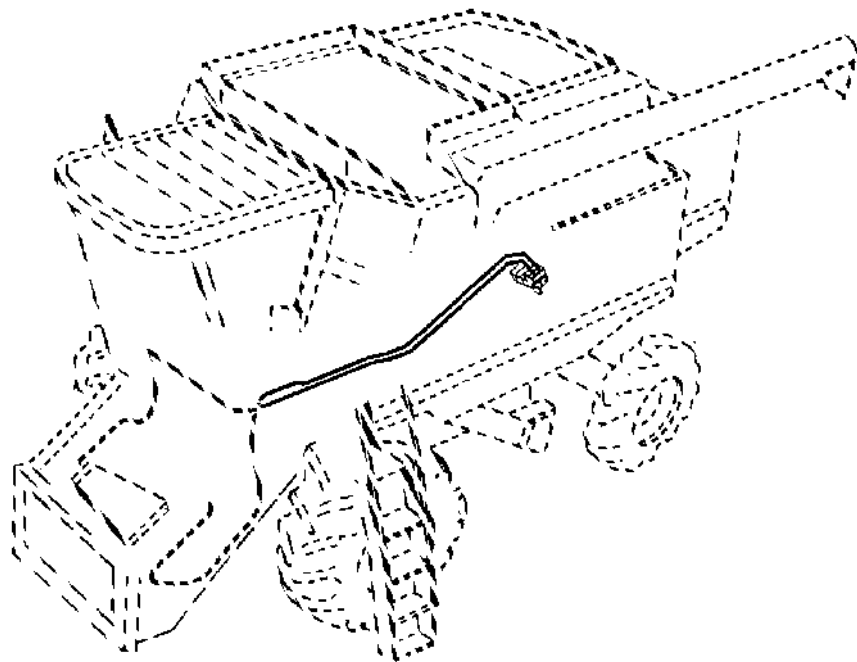
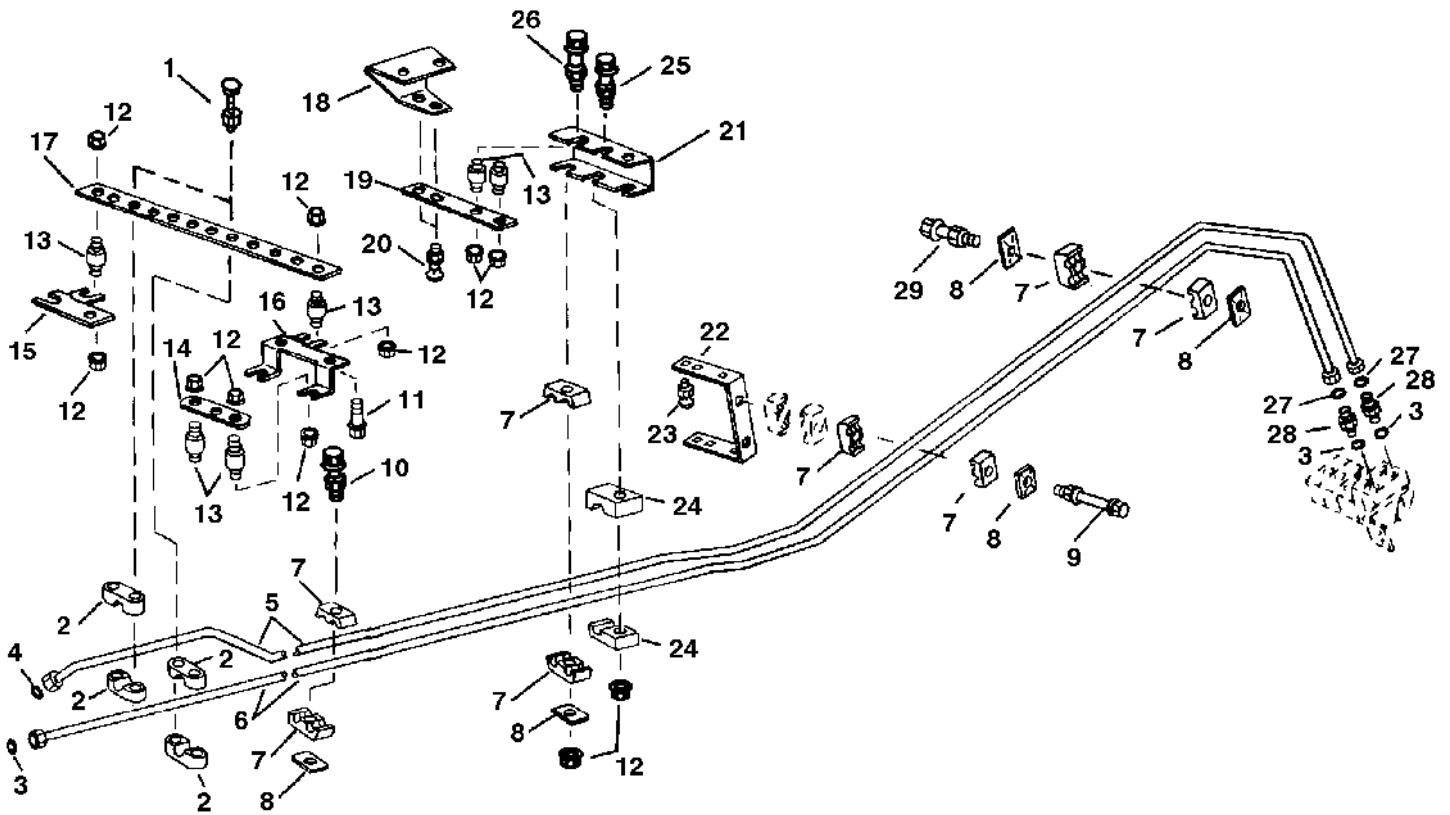
2H3

HYDRAULICS

REEL FORE-AND-AFT HYDRAULIC LINES, L.H. SIDE

(OPTIONAL)

HP6831 -UN-19SEP97



HP6831

2H4

HYDRAULICS

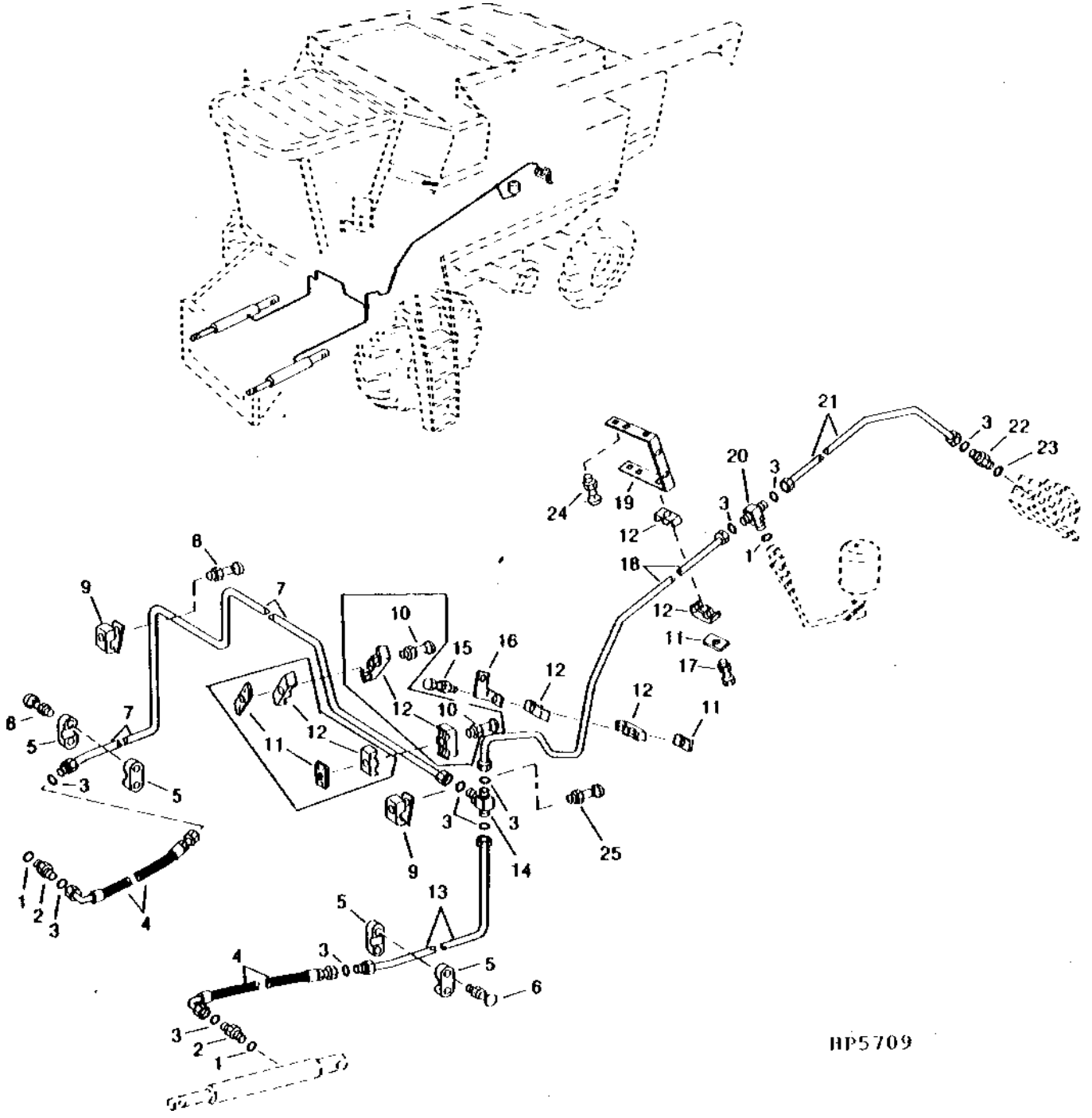
**REEL FORE-AND-AFT HYDRAULIC LINES, L.H. SIDE - CONTINUED
(OPTIONAL)**

KEY	PART NO.	PART NAME	QTY	SERIAL NO.	REMARKS
1	03M7188	BOLT	4	M8 X 40	
	14M7298	FLANGE NUT	4	M8	
2	H116717	CLAMP	4		
3	R26375	O-RING	2		
4	T77814	O-RING	1		
5	AH135689	HYDRAULIC LINE	1		
6	AH131311	HYDRAULIC LINE	1	(EXTEND)	
7	H128515	CLAMP	8		
8	H121163	COVER	5		
9	19M7803	SCREW	2	M8 X 70	
	14M7298	FLANGE NUT	2	M8	
10	03M7189	BOLT	1	M8 X 45	
	14M7298	FLANGE NUT	1	M8	
11	03M7184	BOLT	2	M8 X 20	
	14M7298	FLANGE NUT	2	M8	
12	N10217	LOCK NUT	12		
13	AH126657	ISOLATOR	6		
14	H134425	STRAP	1		
15	H134427	BRACKET	1		
16	H134424	BRACKET	1		
17	H140298	STRAP	1	SQUARE HOLES	
18	H138411	BRACKET	1		
19	H134434	SUPPORT	1		
20	03M7184	BOLT	2	M8 X 20	
	14M7298	FLANGE NUT	2	M8	
21	H134428	BRACKET	1		
22	H131115	BRACKET	1		
23	19M7866	SCREW	4	M8 X 20	
	14M7396	LOCK NUT	4	M8	
24	H127589	CLAMP	2		
25	03M7216	BOLT	1	M8 X 50	
	14M7298	FLANGE NUT	1	M8	
26	03M7188	BOLT	2	M8 X 40	
	14M7298	FLANGE NUT	2	M8	
27	T77613	O-RING	3		
28	38H1171	ADAPTER	2		
29	19M7801	SCREW	1	M8 X 60	
	14M7298	FLANGE NUT	1	M8	
..	BH81383	COMPLETE GOODS/SHIP. BUNDLE	1	CONVERSION BUNDLE	

2H5

HEADER LIFT HYDRAULIC LINES AND HOSES

HP5709 -UN-01JAN94



HP5709

2H6

HYDRAULICS

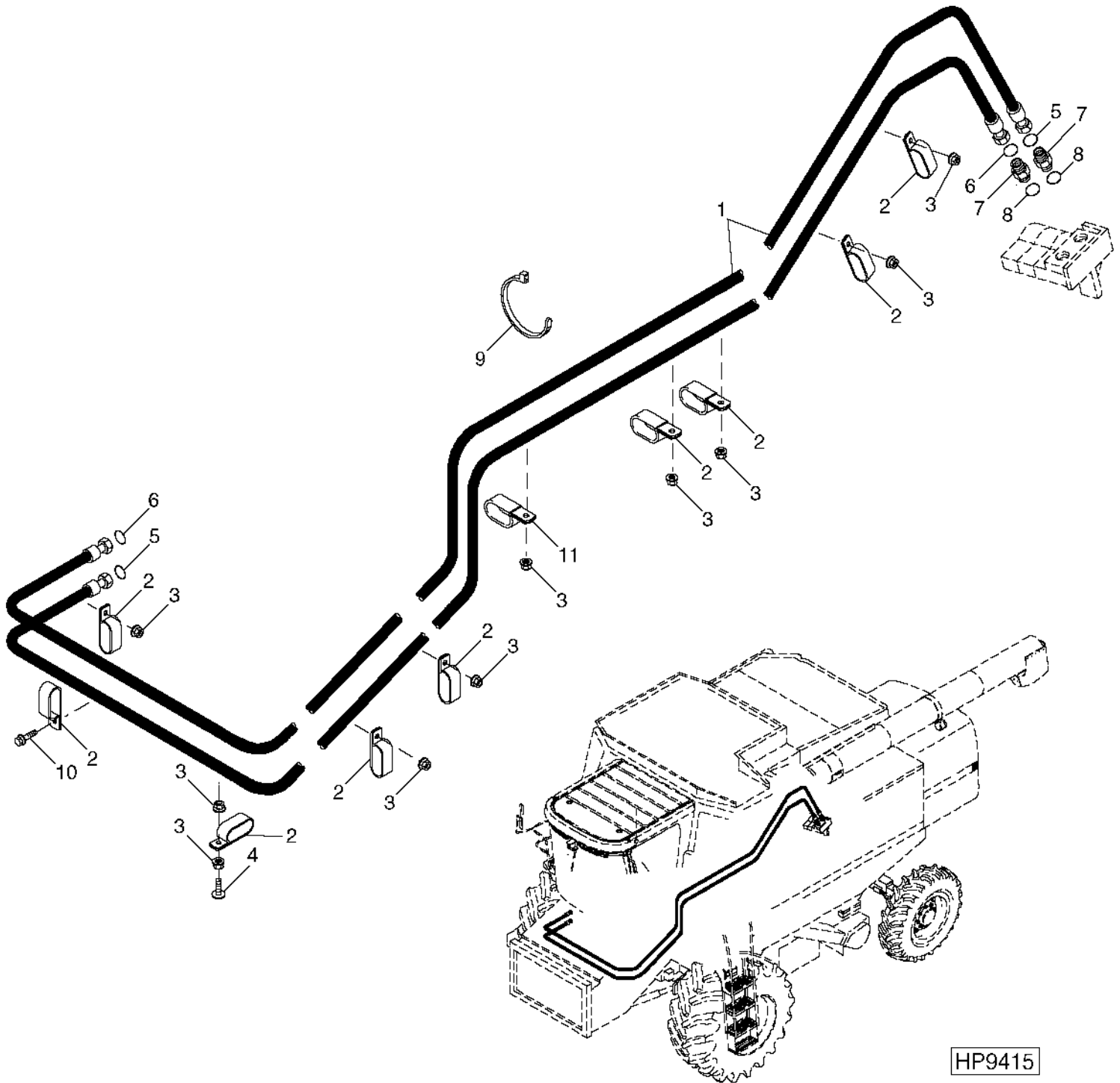
HEADER LIFT HYDRAULIC LINES AND HOSES - CONTINUED

KEY	PART NO.	PART NAME	QTY	SERIAL NO.	REMARKS
1	R26375	O-RING	3		
2	38H1161	ADAPTER	2		
3	T77857	O-RING	10		
4	AH121605	HYDRAULIC HOSE	2		13/16" X 515 MM (20-1/4") X 13/16"
5	H117937	CLAMP	4		
6	03M7189	BOLT	4		M8 X 45
	14M7298	FLANGE NUT	4		M8
7	AH131378	OIL LINE	1		
8	03M7280	BOLT	1		M6 X 45
	14M7303	FLANGE NUT	1		M6
9	H116706	CLAMP	4		
10	03M7262	BOLT	2		M6 X 50
	14M7303	FLANGE NUT	2		M6
11	H121168	PLATE	1		
12	H108291	CLAMP	3		
13	AH130113	HYDRAULIC LINE	1		
14	38H1206	TEE FITTING	1		
15	19M8317	SCREW	1		M8 X 40
	14M7298	FLANGE NUT	1		M8
16	H135974	BRACKET	1		
17	19M8318	SCREW	1		M8 X 45
	14M7298	FLANGE NUT	1		M8
18	AH131576	HYDRAULIC LINE	1		
19	H131115	BRACKET	1		
20	38H1017	TEE FITTING	1		
21	AH128753	HYDRAULIC LINE	1		
22	38H1173	ADAPTER	1		
23	R26448	O-RING	1		
24	03M7184	BOLT	4		M8 X 20
	14M7396	LOCK NUT	4		M8
25	19M8321	SCREW	2		M6 X 45
	14M7303	FLANGE NUT	2		M6

2H7

CONTOUR MASTER HYDRAULIC HOSES, L.H. SIDE (OPTIONAL)

HP9415 -UN-06JAN00



2H8

HYDRAULICS

CONTOUR MASTER HYDRAULIC HOSES, L.H. SIDE (OPTIONAL) - CONTINUED

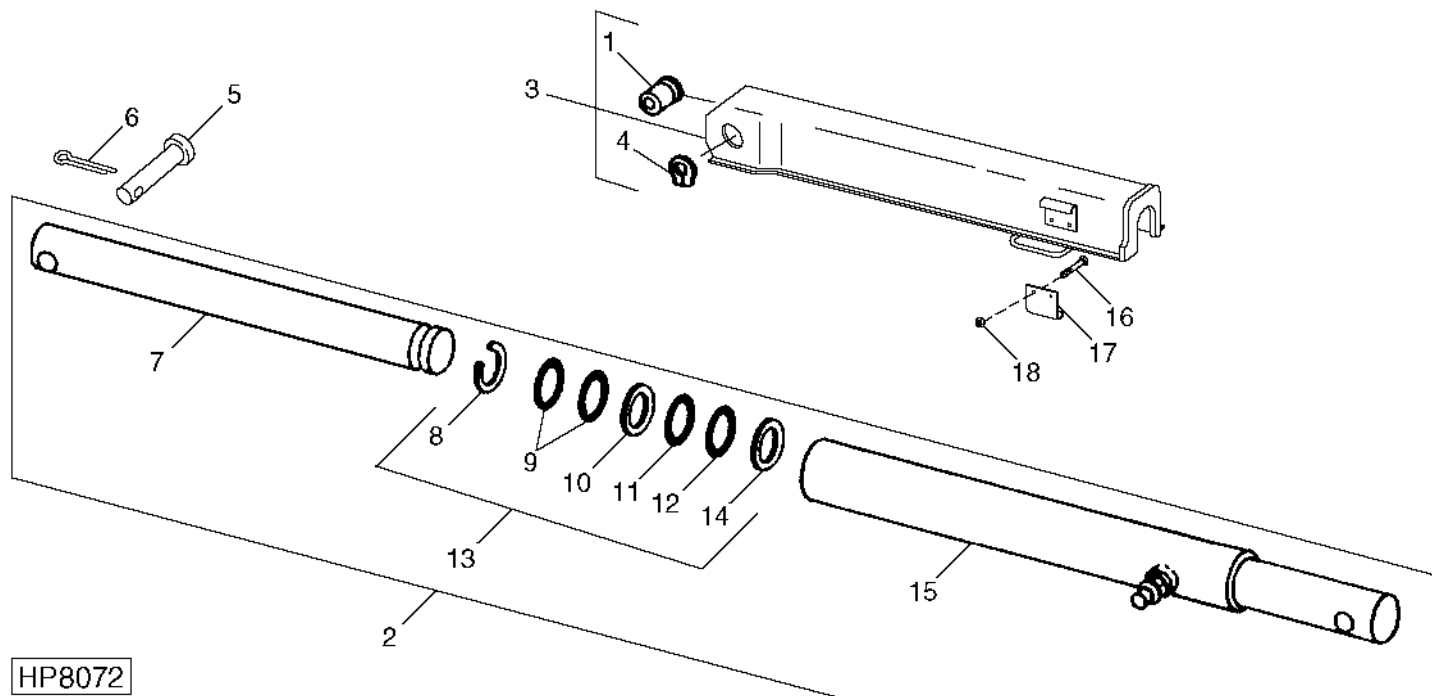
KEY	PART NO.	PART NAME	QTY	SERIAL NO.	REMARKS
1	AH143682	HYDRAULIC HOSE	2		
2	AH97280	CLIP	10		
3	14M7298	FLANGE NUT	10		
4	03M7185	BOLT	1	M8	
5	T77613	O-RING	2		9.246 X 1.778 MM (0.364" X 0.070")
6	T77814	O-RING	2		7.645 X 1.778 MM (0.301" X 0.070")
7	38H1445	ADAPTER	1		
8	R26375	O-RING	2		16.358 X 2.210 MM (0.644" X 0.087")
9	R44302	TIE BAND	1		171 MM (6-3/4")
10	37M7084	SCREW	1	M8 X 25	
11	AH77869	CLIP	1		

2H9

HYDRAULICS

HEADER LIFT HYDRAULIC CYLINDER

HP8072 -UN-08JUL99



HP8072

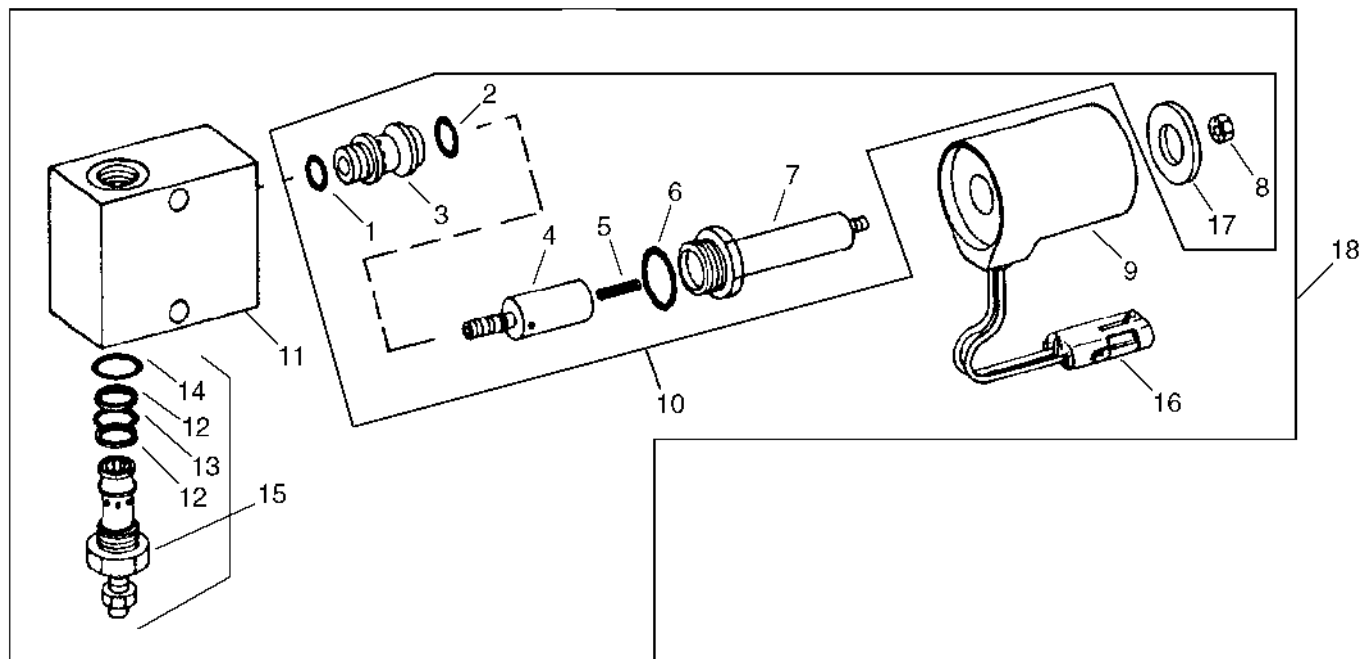
KEY	PART NO.	PART NAME	QTY	SERIAL NO.	REMARKS
1	H150054	BUSHING	1		
2	AH139611	HYDRAULIC CYLINDER	1	680000-	53.98 MM (2.125") (SUB AH155264)
	AH155264	HYDRAULIC CYLINDER	1		53.98 MM (2.125")
	AH139610	HYDRAULIC CYLINDER	1	-679999	60.33 MM (2.375") (SUB AH155265)
	AH155265	HYDRAULIC CYLINDER	1		60.33 MM (2.375")
3	AH157492	STOP	1		
4	40M1835	SNAP RING	1		
5	H116894	PIN	2		
6	H147486	COTTER PIN	4		
7	ROD	1		
8	SNAP RING	1		
9	WEAR RING	2		
10	SEAL	1		
11	SEAL	1		
12	SEAL	1		
13	AH139754	HYDRAULIC CYLINDER KIT	1	-679999	53.98 MM (2.125") (USE WITH AH139610)
	AH139755	HYDRAULIC CYLINDER KIT	1	678000-	53.98 MM (2.125") (USE WITH AH139611)
	AH161885	HYDRAULIC CYLINDER KIT	1		60.33 MM (2.375") (USE WITH AH155264)
	AH162432	HYDRAULIC CYLINDER KIT	1		60.33 MM (2.375") (USE WITH AH155265)
14	RING	1		
15	HYDRAULIC CYLINDER BARREL	1		
16	03M7183	BOLT	2		M8 X 16
17	H150055	SUPPORT	1		
18	14M7298	FLANGE NUT	2		M8

2H10

HYDRAULICS

VALVE BLOCK SOLENOID FOR DIAL-A-MATIC HEADER HEIGHT CONTROL

HP8033 -UN-21APR99



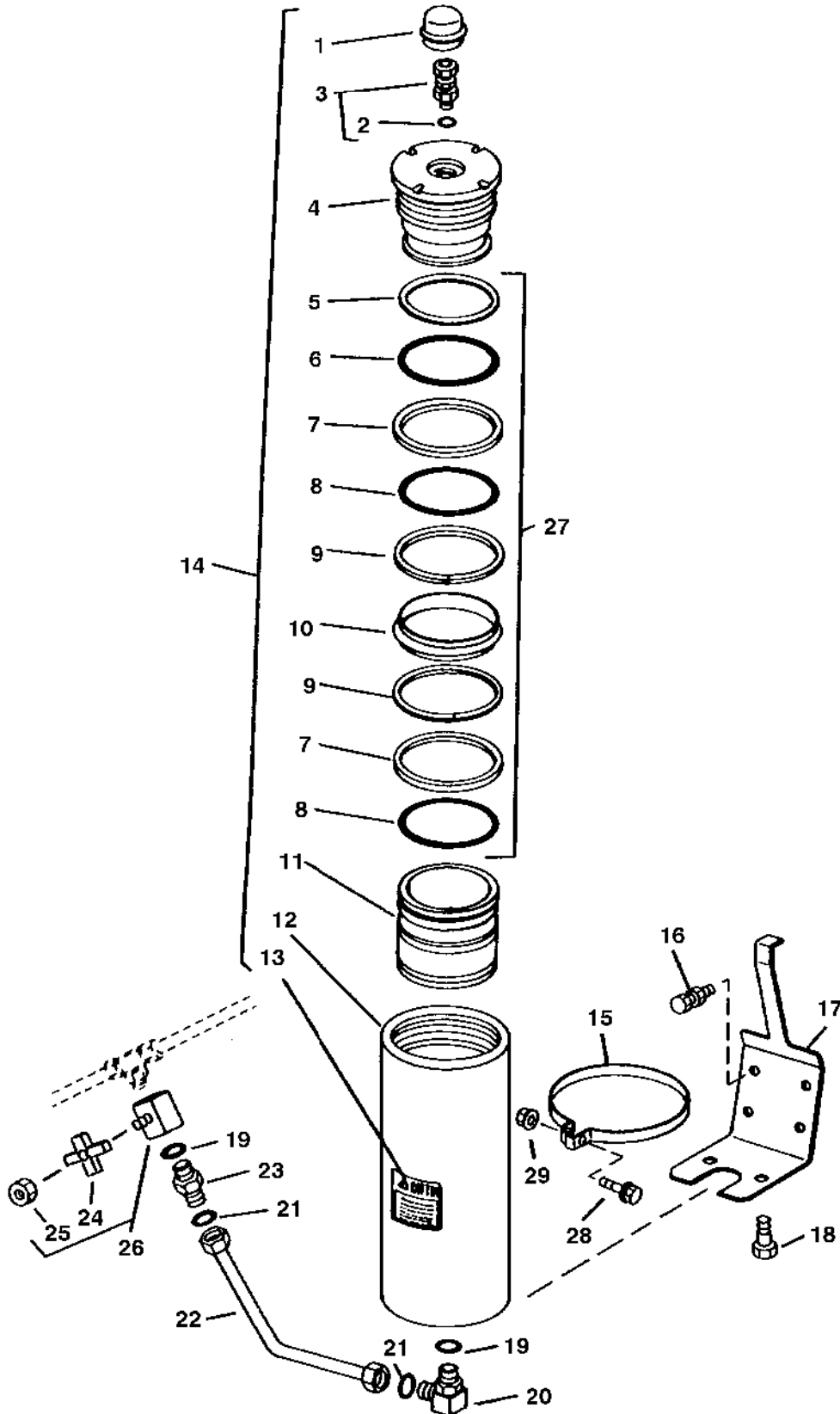
HP8033

KEY	PART NO.	PART NAME	QTY	SERIAL NO.	REMARKS
1	R28776	O-RING	1		
2	T75984	O-RING	1		
3	VALVE SPOOL	1		
4	PLUNGER	1		
5	SPRING	1		
6	R27928	O-RING	1		
7	GUIDE	1		
8	14H866	NUT	1	5/8"	
9	AH131572	ELECTRICAL COIL	1		
10	AH131571	VALVE	1		
11	H135964	HOUSING	1		
12	BACK-UP RING	2		
13	U15980	O-RING	1		
14	R26906	O-RING	1		
15	AH131570	VALVE	1		
16	R78053	PIN CONTACT CONNECTOR BODY	1		(PKG OF 3)
	R78059	ELECTRICAL PLUG	1		(PKG OF 40)
	R78061	PIN CONTACT	1		(PKG OF 40)
17	24H1368	WASHER	1		21/32" X 1-5/16" X 0.090"
18	AH125910	SOLENOID VALVE	1		
..	BH78374	COMPLETE GOODS/SHIP. BUNDLE	1		VALVE BLOCK SOLENOID FOR DIAL-A-MATIC HEADER HEIGHT CONTROL

2H11

ONE-HALF GALLON ACCUMULATOR AND MOUNTING (SINGLE)

HP6834 -UN-18AUG97



HP6834

2H12

HYDRAULICS

ONE-HALF GALLON ACCUMULATOR AND MOUNTING (SINGLE) - CONTINUED

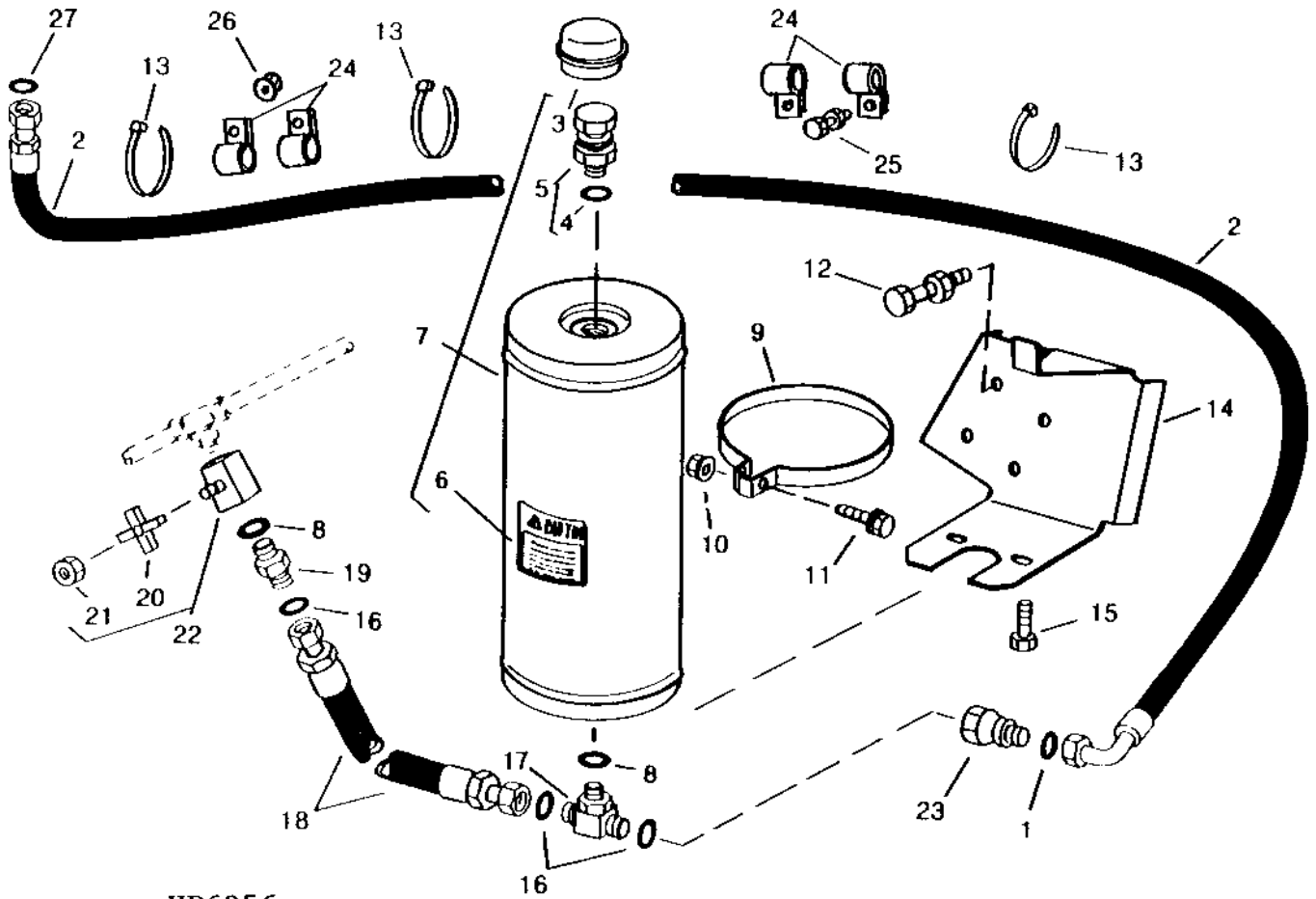
KEY	PART NO.	PART NAME	QTY	SERIAL NO.	REMARKS
1	J2375M	CAP	1		
2	H135641	RING	1		
3	AH131250	BLEED VALVE	1		
4	CAP	1		
5	BACK-UP RING	1		
6	O-RING	1		
7	SEAL	2		
8	O-RING	2		
9	BACK-UP RING	2		
10	SEAL	1		
11	PISTON	1		
12	BARREL	1		
13	H149092	LABEL	1		"CAUTION"
14	AH133265	ACCUMULATOR	1		
15	R77178	CLAMP	1		
16	19M7866	SCREW	4		M8 X 20
	14M7298	FLANGE NUT	4		M8
17	H137593	BRACKET	1		
18	19M7864	SCREW	2		M8 X 12
19	R26375	O-RING	2		
20	38H1005	ELBOW FITTING	1		
21	T77857	O-RING	2		
22	AH132203	OIL LINE	1		
23	38H1161	ADAPTER	1		
24	N232713	HANDLE	1		
25	K40001	LOCK NUT	1		6.350 MM (1/4")
26	AH131535	VALVE	1		
27	AH133285	SEAL	1		
28	19M8162	CAP SCREW	1		M10 X 40
29	14M7296	FLANGE NUT	1		M10
..	BH80267	COMPLETE GOODS/SHIP. BUNDLE	1		ACCUMULATOR WITH FLOAT INDICATOR

2H13

HYDRAULICS

ONE GALLON ACCUMULATOR, HOSE, LINE AND MOUNTING

HP6256 -UN-04JAN96



HP6256

2H14

HYDRAULICS

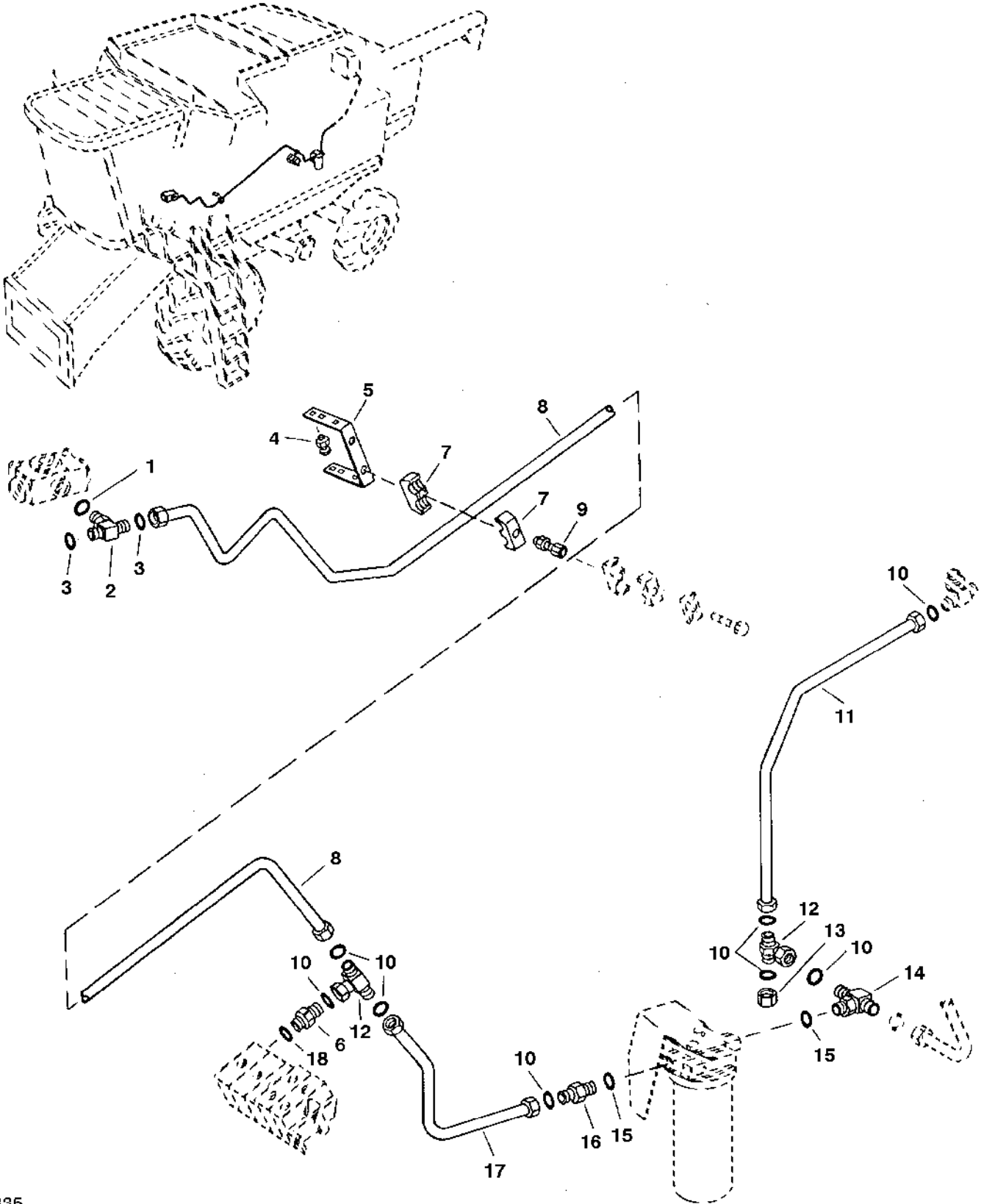
ONE GALLON ACCUMULATOR, HOSE, LINE AND MOUNTING - CONTINUED

KEY	PART NO.	PART NAME	QTY	SERIAL NO.	REMARKS
1	T77613	O-RING	1		
2	AH133151	HYDRAULIC HOSE	1		9.246 X 1.778 MM
3	J2375M	CAP	2		TO GAUGE IN CAB
4	H135641	RING	2		
5	AH131250	BLEED VALVE	2		
6	H149092	LABEL	1		"CAUTION"
7	AH143455	ACCUMULATOR	1		
8	R26375	O-RING	2		
9	R77178	CLAMP	1		
10	14M7296	FLANGE NUT	1		M10
11	19M7658	CAP SCREW	1		M10 X 50
	03M7196	BOLT	1		M10 X 50
12	19M7866	SCREW	4		M8 X 20
	14M7298	FLANGE NUT	4		M8
13	R44302	TIE BAND	3		
14	H148366	BRACKET	1		
15	19M7864	SCREW	2		M8 X 12
16	T77857	O-RING	3		
17	38H1017	TEE FITTING	1		
18	AH148124	HYDRAULIC HOSE	1		13/16" X 460 MM (18") X 13/16"
19	38H1161	ADAPTER	1		
20	N232713	HANDLE	1		
21	K40001	LOCK NUT	1		6.350 MM (1/4")
22	AH131535	VALVE	1		
23	38H1481	REDUCER	1		
24	H75541	CLAMP	4		
25	03M7183	BOLT	1		M8 X 16
	19M7298	CAP SCREW	1		M8 X 35
26	14M7296	FLANGE NUT	1		M10
27	T77613	O-RING	1		9.246 X 1.778 MM (0.364" X 0.070")
	T77814	O-RING	1		7.645 X 1.778 MM (0.301" X 0.070")

2H15

HYDRAULICS

HYDRAULIC RETURN LINES
HP6835 -UN-18AUG97



HP6835

2H16

HYDRAULICS

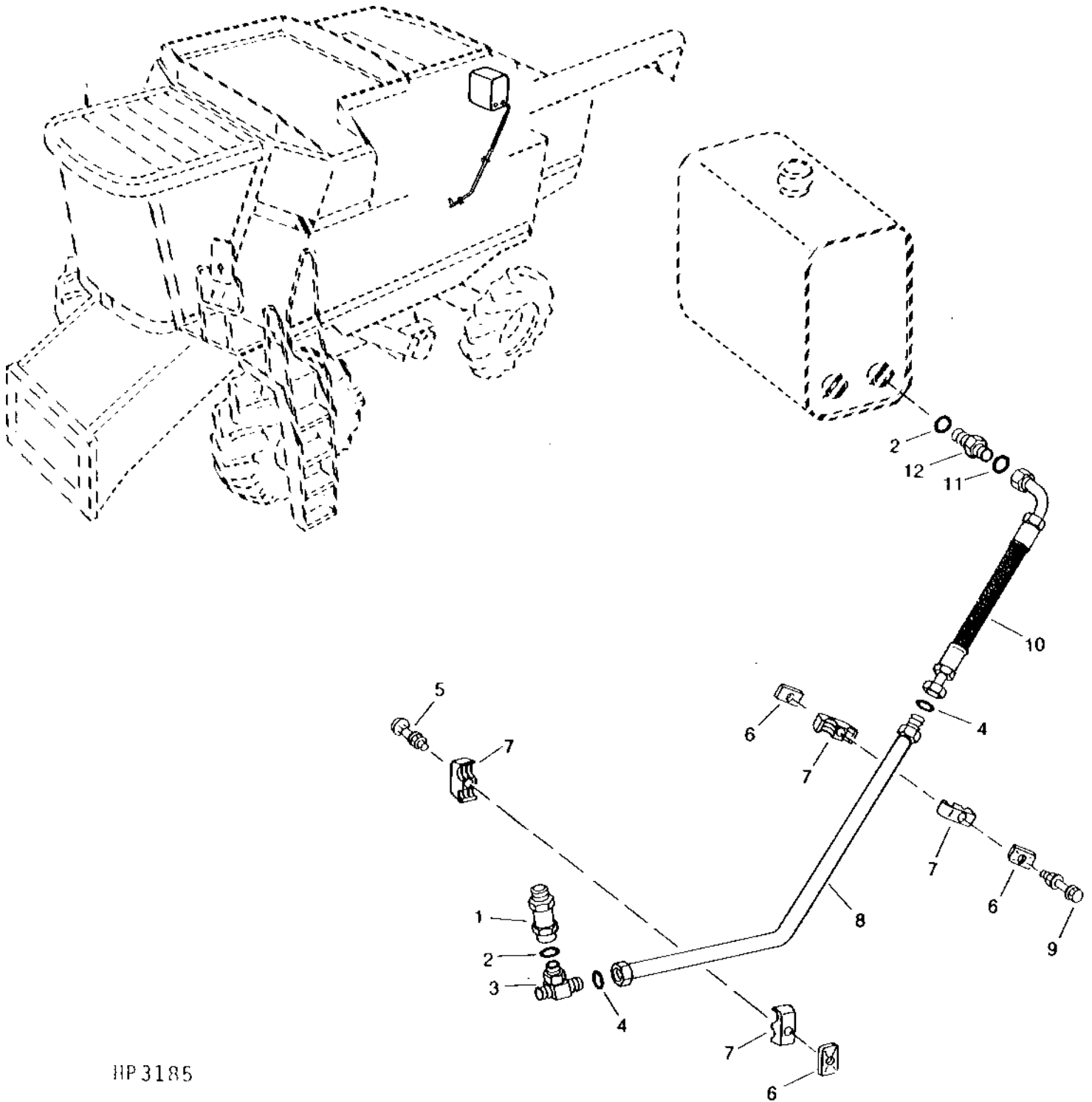
HYDRAULIC RETURN LINES - CONTINUED

KEY	PART NO.	PART NAME	QTY	SERIAL NO.	REMARKS
1	R26906	O-RING	1		
2	38H1018	TEE FITTING	1		
3	T77932	O-RING	2		
4	03M7184	BOLT	4	M8 X 20	
	14M7396	LOCK NUT	4	M8	
5	H131115	BRACKET	1		
6	38H1193	ADAPTER	1		
7	H120847	CLAMP	2		
8	AH128851	OIL LINE	1		(REEL RETURN)
9	19M7913	SCREW	1	M8 X 90	
	14M7298	FLANGE NUT	1	M8	
10	T77858	O-RING	8		
11	AH130448	HYDRAULIC LINE	1		(RETURN)
12	38H1041	TEE FITTING	2		
13	38H1418	FITTING PLUG	1		
14	38H1437	TEE FITTING	1		
15	R29936	O-RING	2		
16	38H1194	ADAPTER	1		
17	AH126122	HYDRAULIC LINE	1		(RETURN)
18	R26375	O-RING	1		

2H17

RESERVOIR HYDRAULIC UPPER RETURN LINES AND HOSES

HP3185 -UN-01JAN94



HP3185

2H18

HYDRAULICS

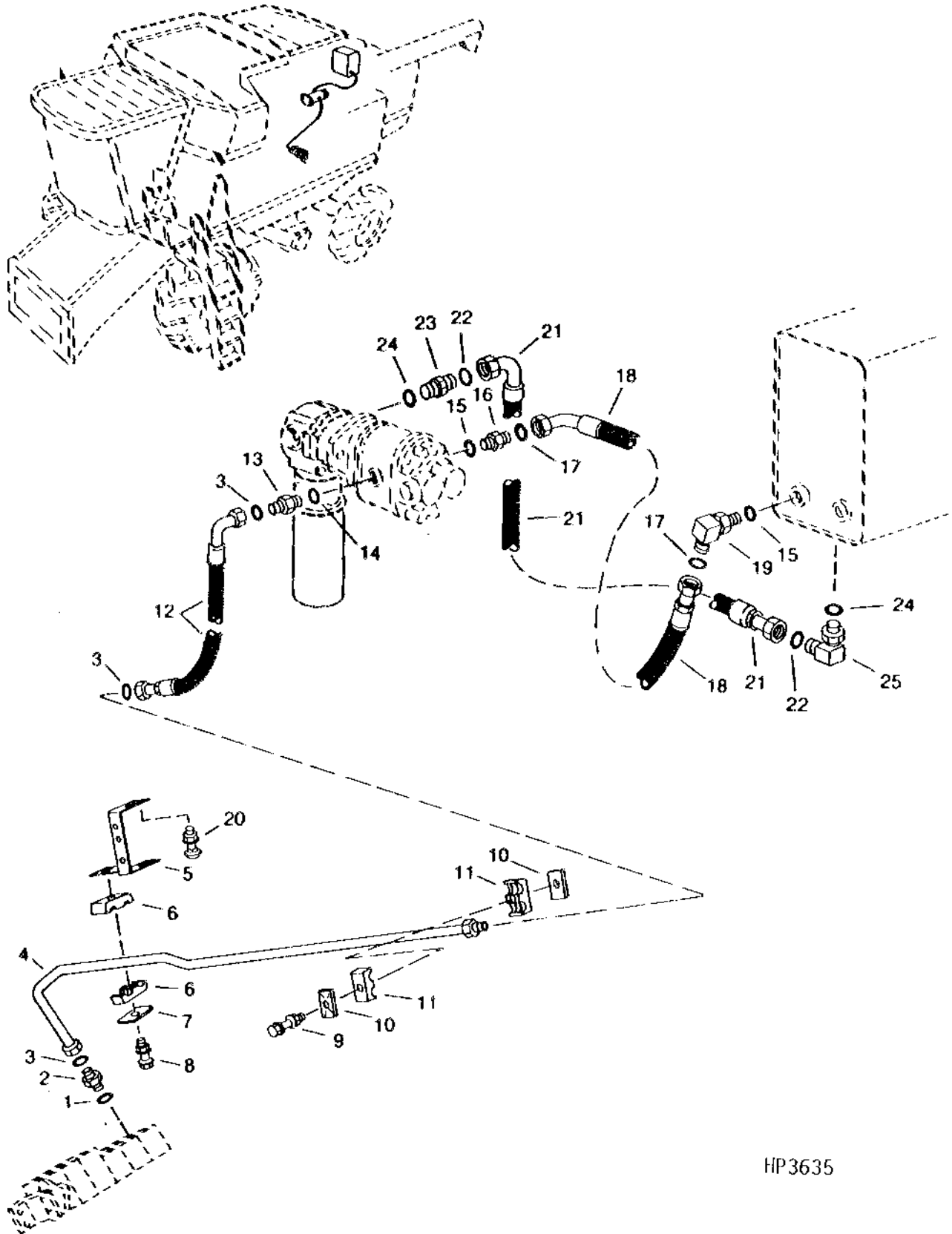
RESERVOIR HYDRAULIC UPPER RETURN LINES AND HOSES - CONTINUED

KEY	PART NO.	PART NAME	QTY	SERIAL NO.	REMARKS
1	AH118337	CHECK VALVE	1		
2	U12547	O-RING	2		
3	38H1019	TEE FITTING	1		
4	T77858	O-RING	2		
5	03M7245	BOLT	1	M8 X 55	
	14M7298	FLANGE NUT	1	M8	
6	H112567	PLATE	3		
7	H114865	CLAMP	4		
8	AH130568	HYDRAULIC LINE	1	(UPPER RETURN)	
9	19M7801	SCREW	1	M8 X 60	
	14M7298	FLANGE NUT	1	M8	
10	AH130567	HYDRAULIC HOSE	1	1-3/16" X 305 MM (12") X 1-3/16" (UPPER RETURN)	
11	T77858	O-RING	1		
12	38H1163	ADAPTER	1		

2H19

HYDRAULICS

HYDRAULIC PRESSURE LINES AND HOSES
HP3635 -UN-01JAN94



HP3635

2H20

HYDRAULICS

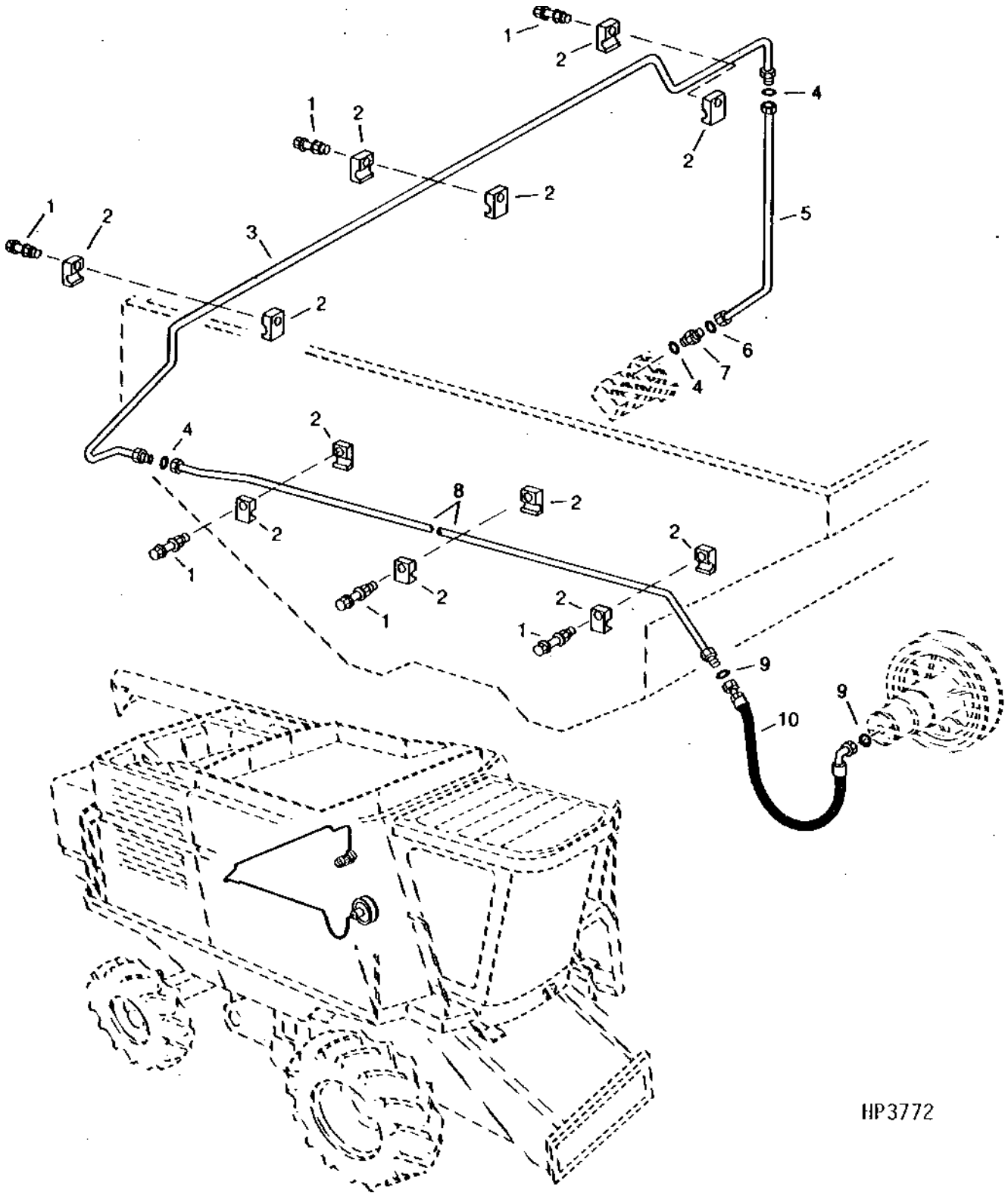
HYDRAULIC PRESSURE LINES AND HOSES - CONTINUED

KEY	PART NO.	PART NAME	QTY	SERIAL NO.	REMARKS
1	R26375	O-RING	1		
2	38H1317	FITTING	1		
3	T77932	O-RING	3		
4	AH129244	OIL LINE	1		
5	H133659	BRACKET	1		
6	H109046	CLAMP	2		
7	H121168	PLATE	1		
8	19M8318	SCREW	1	M8 X 45	
	14M7298	FLANGE NUT	1	M8	
9	19M7801	SCREW	1	M8 X 60	
	14M7298	FLANGE NUT	1	M8	
10	H112567	PLATE	2		
11	H111730	CLAMP	2		
12	AH166953	HYDRAULIC HOSE	1		(SUB FOR AH128742)
13	38H1162	ADAPTER	1		
14	R26906	O-RING	1		
15	R29936	O-RING	2		
16	38H1164	ADAPTER	1		
17	T76938	O-RING	2		
18	AH126240	HYDRAULIC HOSE	1		1-7/16" X 600 MM (23-1/2") X 1-7/16"
19	38H1037	ELBOW FITTING	1		
20	03M7184	BOLT	4	M8 X 20	
	14M7396	LOCK NUT	4	M8	
21	AH126242	HYDRAULIC HOSE	1		
22	T76938	O-RING	2		
23	38H1164	ADAPTER	1		
24	R29936	O-RING	2		
25	38H1037	ELBOW FITTING	1		

2H21

HYDRAULICS

CYLINDER SPEED HYDRAULIC LINES AND HOSES
HP3772 -UN-01JAN94



HP3772

2H22

HYDRAULICS

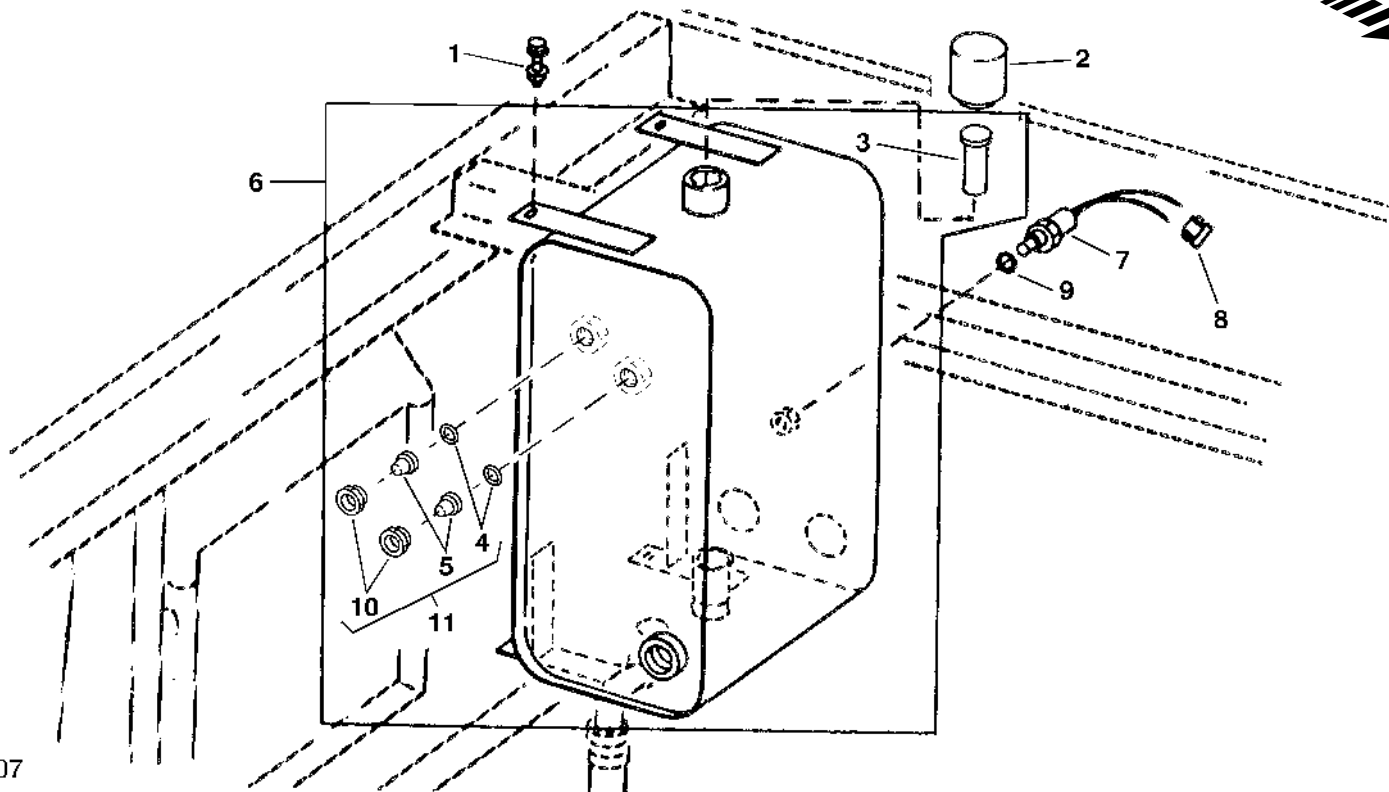
CYLINDER SPEED HYDRAULIC LINES AND HOSES - CONTINUED

KEY	PART NO.	PART NAME	QTY	SERIAL NO.	REMARKS
1	19M8317	SCREW	6	M8 X 40	
	14M7298	FLANGE NUT	6	M8	
2	H127589	CLAMP	12		
3	AH127892	HYDRAULIC LINE	1		
4	R26448	O-RING	3	11.887 X 1.981 MM (0.468" X 5/64")	
5	AH128853	HYDRAULIC LINE	1		
6	T77613	O-RING	1	9.246 X 1.778 MM (0.364" X 0.070")	
7	38H1160	ADAPTER	1		
8	AH128640	HYDRAULIC LINE	1		
9	T77814	O-RING	2	7.645 X 1.778 MM (0.301" X 0.070")	
10	AH128639	HYDRAULIC HOSE	1	9/16" X 410 MM (16-1/4") X 9/16"	

2H23

HYDRAULIC / HYDROSTATIC OIL RESERVOIR AND MOUNTINGS

HP7207 -UN-17OCT97



HP7207

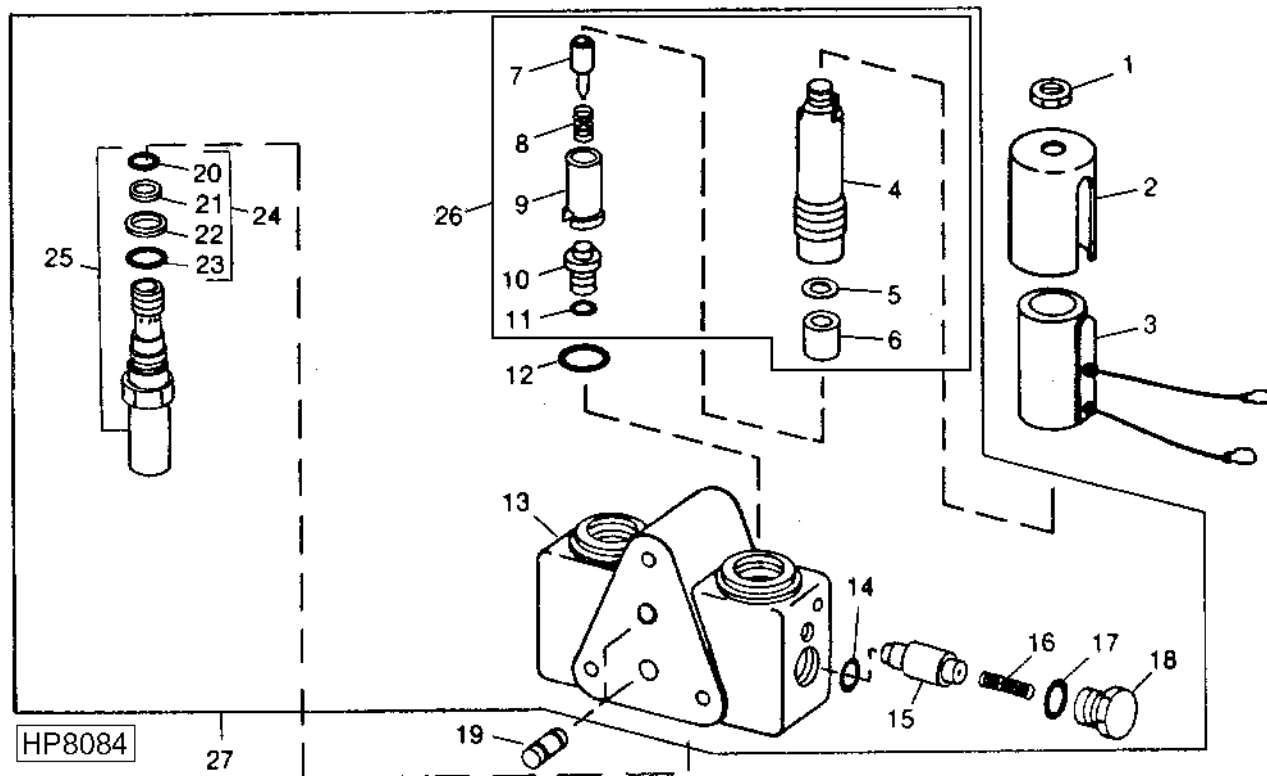
KEY	PART NO.	PART NAME	QTY	SERIAL NO.	REMARKS
1	19M7866	SCREW	4	M8 X 20	
	14M7298	FLANGE NUT	4	M8	
2	AZ49144	BUCKLE	1		
3	AH131334	SCREEN	1	-XXXXXX	28 MM DIA.
	AH135064	STRAINER	1		35 MM DIA.
4	P48347	O-RING	2		
5	N209312	LENS	2		OIL LEVEL, (SUB FOR N205021)
6	AH157973	HYDRAULIC RESERVOIR	1		
7	AH116105	SWITCH	1		
8	R78059	ELECTRICAL PLUG	1		PACK OF 40
9	R26375	O-RING	1		
10	N205022	RETAINER	2		
11	AE41319	GAUGE	2		

2H24

HYDRAULICS

SOLENOID CONTROL RELIEF VALVE MODULE

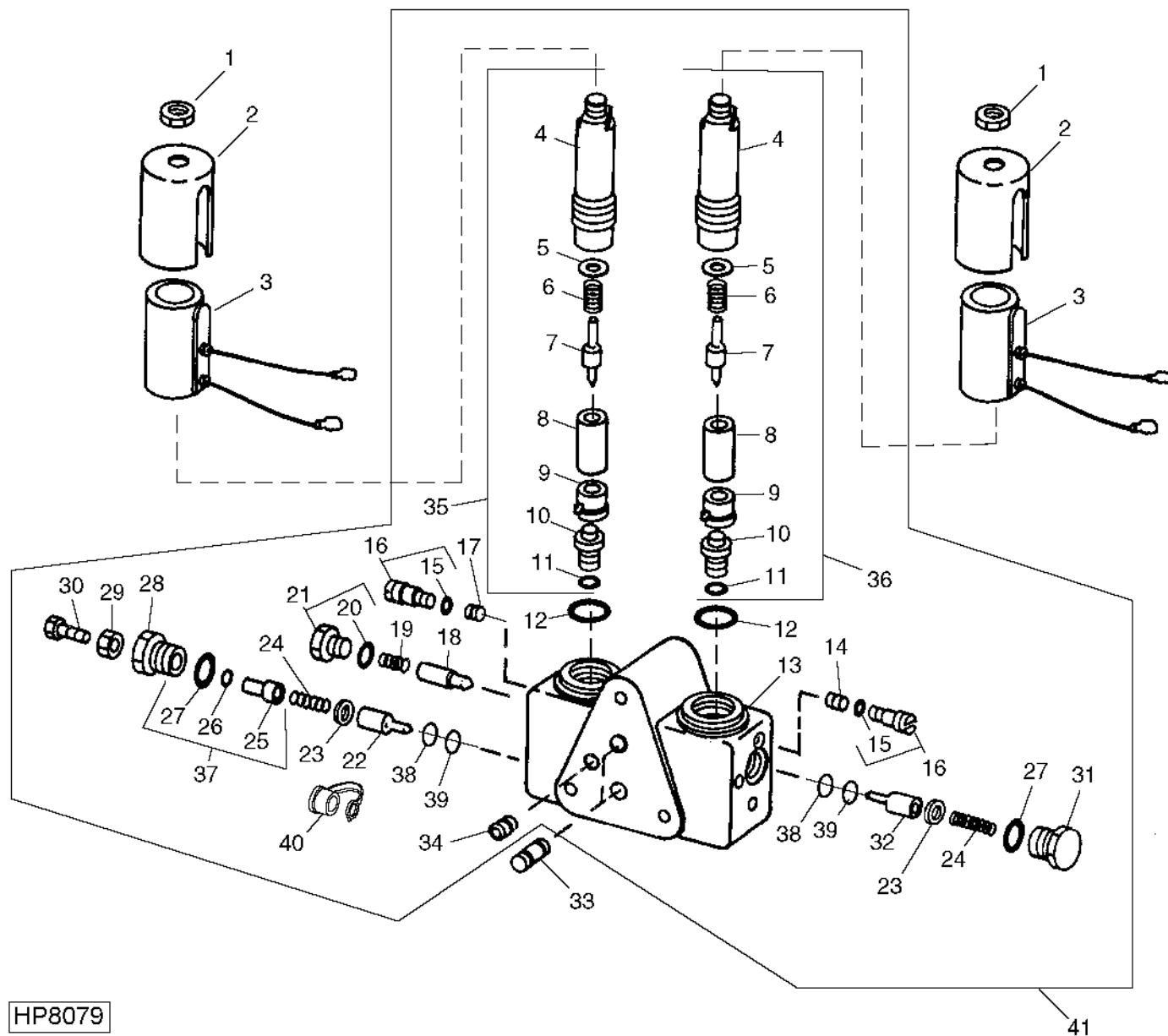
HP8084 -UN-11DEC98



KEY	PART NO.	PART NAME	QTY	SERIAL NO.	REMARKS
1	A4655R	NUT	1		12.700 MM (1/2")
2	E62942	COVER	1		
3	AH124731	ELECTRICAL COIL	1		
4	SLEEVE	1		
5	WASHER	1		
6	ARMATURE	1		
7	POPPET	1		
8	SPRING	1		
9	GUIDE	1		
10	ORIFICE	1		
11	U40962	O-RING	1		6.071 X 1.778 MM (0.239" X 0.070")
12	T75984	O-RING	1		
13	HOUSING	1		
14	R27564	O-RING	1		
15	POPPET	1		
16	SPRING	1		
17	R26906	O-RING	1		19.177 X 2.464 MM (0.755" X 0.097")
18	PIPE PLUG	1		
19	AH131326	SEAL	2		(WITH O-RINGS AND BACKUPS)
20	SEAL	1		
21	O-RING	1		
22	O-RING	1		
23	SEAL	1		
24	AH148472	SEAL KIT	1		
25	AH147085	RELIEF VALVE	1		(CONTOUR MASTER)
26	AH134833	SEAL KIT	1		
27	AH147097	VALVE	1		UNLOAD (RELIEF) (CONTOUR MASTER)

SOLENOID CONTROL VALVE FOR HEADER LIFT MODULE

HP8079 -UN-15DEC98



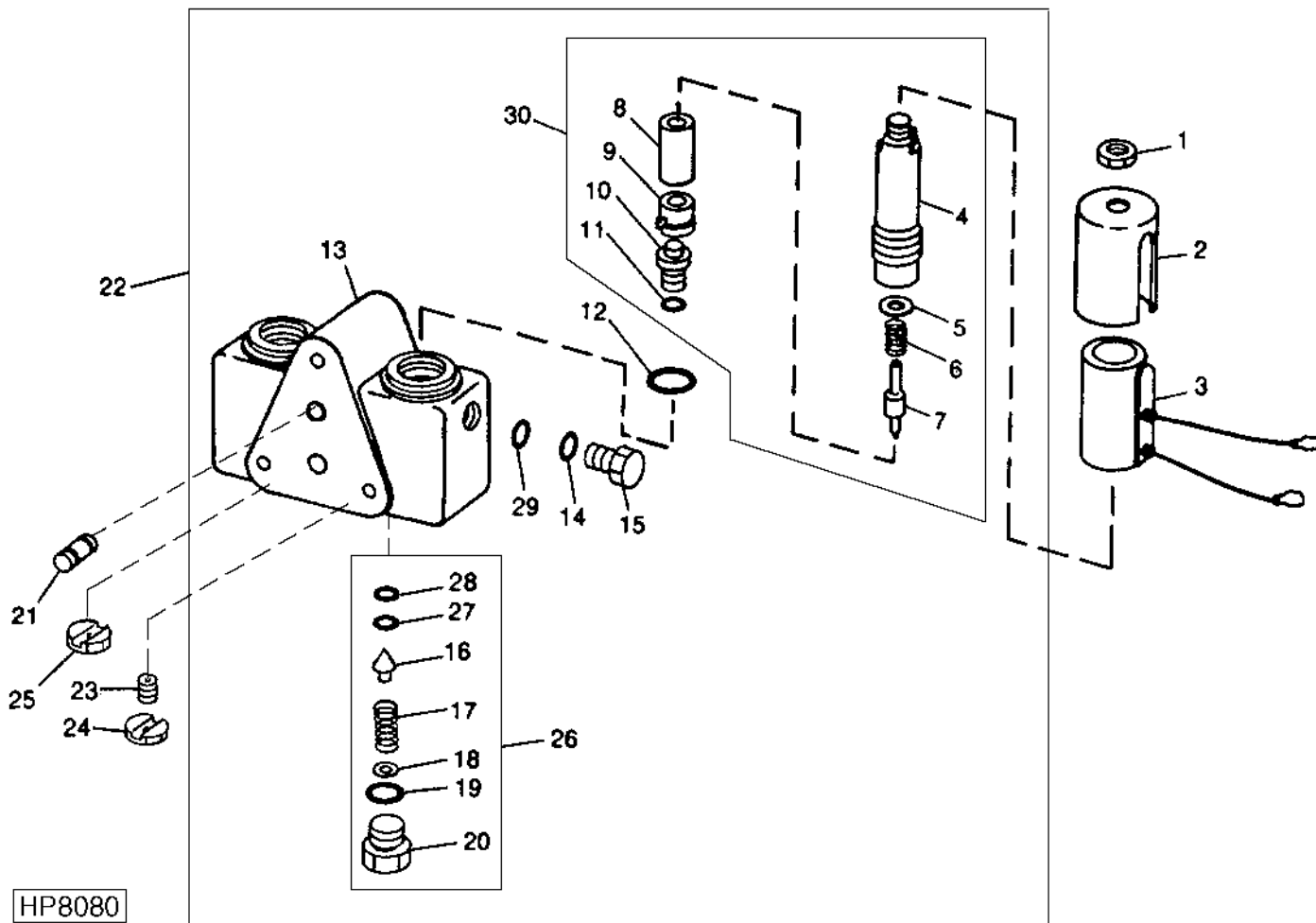
HP8079

SOLENOID CONTROL VALVE FOR HEADER LIFT MODULE - CONTINUED

KEY	PART NO.	PART NAME	QTY	SERIAL NO.	REMARKS
1	A4655R	NUT	2		
2	E62942	COVER	2		
3	AH124731	ELECTRICAL COIL	2		
4	SLEEVE	2		
5	WASHER	2		
6	E62089	SPRING	2		
7	POPPET	2		
8	ARMATURE	2		
9	SOLENOID	2		
10	ORIFICE	2		
11	U40962	O-RING	2		6.071 X 1.778 MM (0.239" X 0.070")
12	T75984	O-RING	2		20.345 X 1.778 MM (0.801" X 0.070")
13	HOUSING	1		
14	ORIFICE	1		
15	T26257	O-RING	2		2.565 X 1.778 MM (0.101" X 0.070")
16	AE38734	PLUG	1		
17	ORIFICE	1		
18	E66620	CHECK VALVE	1		
19	E66619	SPRING	1		
20	R28782	O-RING	1		8.915 X 1.829 MM (0.351" X 0.072")
21	AN122518	FITTING	1		
22	H142183	CHECK VALVE	1		
23	H148775	O-RING	2		10.668 X 13.716 X 1.524 MM (0.420" X 0.540" X 0.060")
24	E66618	SPRING	2		
25	STOP	1		
26	U42902	RING	1		4.470 X 1.778 MM (0.176" X 0.070")
27	R26448	O-RING	2		11.887 X 1.981 MM (0.468" X 5/64")
28	CAP	1		
29	14H850	NUT	1		1/4"
30	19H1914	CAP SCREW	1		1/4" X 1"
31	CAP	1		
32	POPPET	1		
33	AH131326	SEAL	2		(WITH O-RING AND BACK-UP RING)
34	AH131405	SEAL	1		(WITH O-RING AND BACK-UP RING)
35	AE50995	POPPET	1		
36	AZ51851	GUIDE	1		
37	AE38021	KIT	1		
38	O-RING	1		
39	ORIFICE	1		
40	COVER	1		
41	AH147084	VALVE	1		(CONTOUR MASTER)

SOLENOID CONTROL VALVE FOR REEL LIFT / VARIABLE AND CYLINDER SPEED

HP8080 -UN-14DEC98



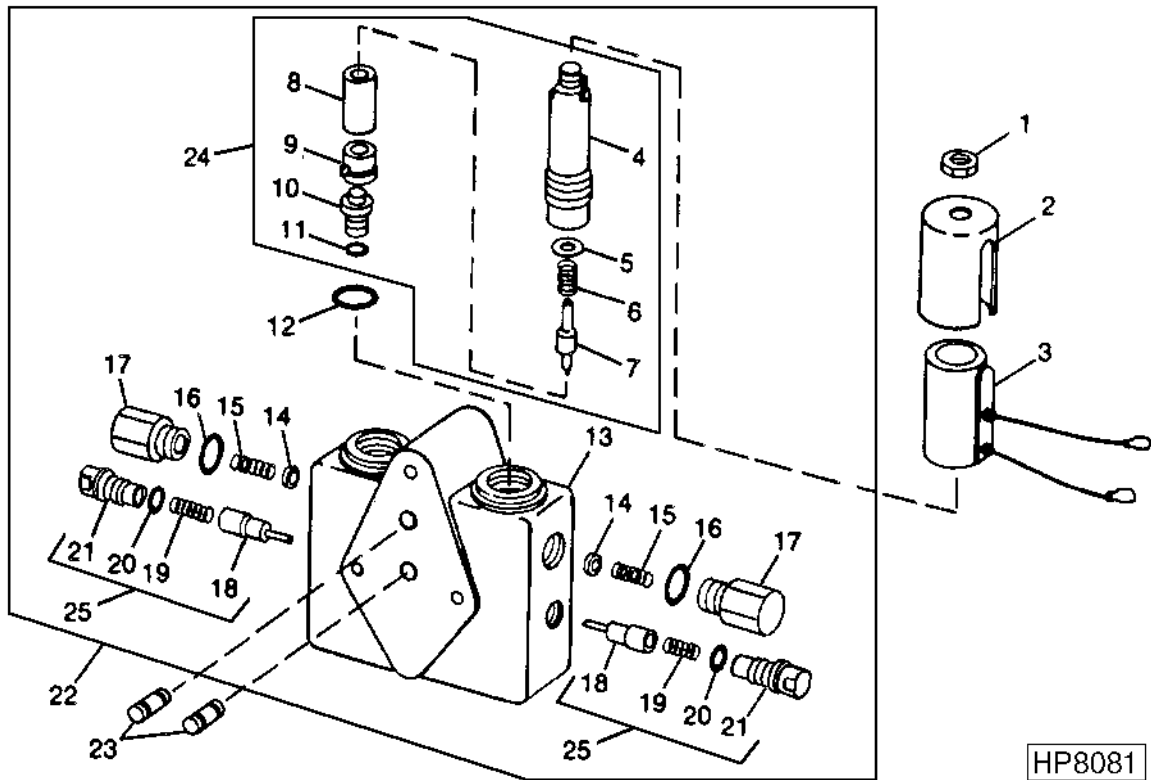
HP8080

SOLENOID CONTROL VALVE FOR REEL LIFT / VARIABLE AND CYLINDER SPEED - CONTINUED

KEY	PART NO.	PART NAME	QTY	SERIAL NO.	REMARKS
1	A4655R	NUT	2		
2	E62942	COVER	2		
3	AH124731	ELECTRICAL COIL	2		
4	SLEEVE	2		
5	WASHER	2		
6	E62089	SPRING	2		
7	POPPET	2		
8	ARMATURE	2		
9	SOLENOID	2		
10	ORIFICE	2		
11	U40962	O-RING	2		6.071 X 1.778 MM (0.239" X 0.070")
12	T75984	O-RING	2		20.345 X 1.778 MM (0.801" X 0.070")
13	HOUSING	2		
14	R30903	O-RING	1		6.071 X 1.626 MM (0.239" X 0.064")
15	FITTING	1		(SAE-2)
16	POPPET	1		
17	SPRING	1		
18	SHIM	AR		
19	R28782	O-RING	1		8.915 X 1.829 MM (0.351" X 0.072")
20	PLUG	1		
21	AH131326	SEAL	2		(WITH O-RING AND BACKUP RING)
22	AH139060	VALVE	1		LESS COILS,CONNECTING TUBES AND ORIFICE
23	E62917	ORIFICE	1		.508 MM DIA.
24	H145052	APERTURE	1		.406 MM DIA.
25	H145051	APERTURE	1		.940 MM DIA.
26	AH131421	SEAT KIT	1		
27	O-RING	1		
28	ORIFICE	1		
29	ORIFICE	1		
30	AH131420	SEAT KIT	1		

MEMORANDA

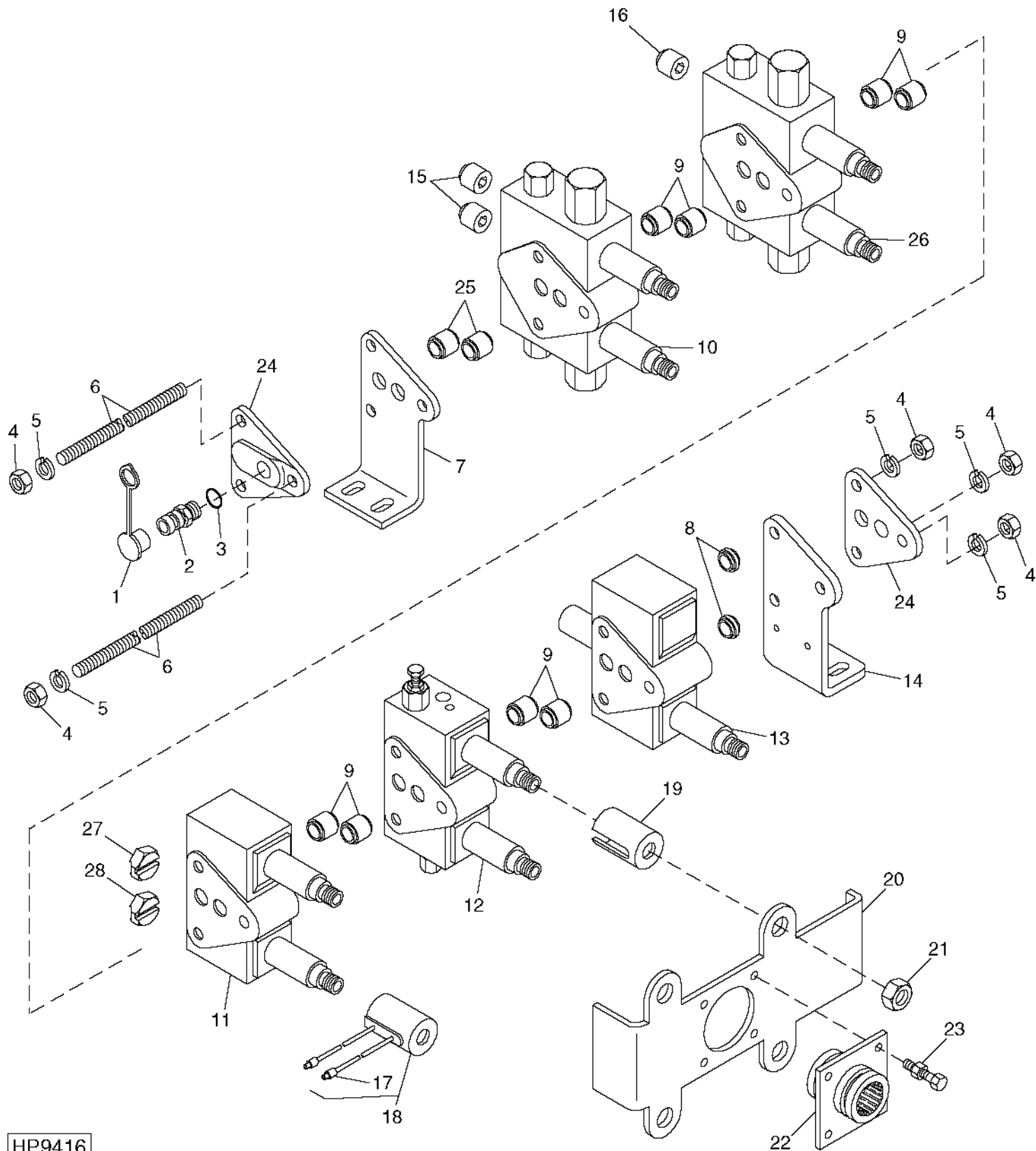
SOLENOID CONTROL VALVE FOR AUGER SWING
SOLENOID CONTROL VALVE FOR REEL FORE/AFT
 HP8081 -UN-14DEC98



KEY	PART NO.	PART NAME	QTY	SERIAL NO.	REMARKS
1	A4655R	NUT	2		12.700 MM
2	E62942	COVER	2		
3	AH124731	ELECTRICAL COIL	2		
4	SLEEVE	2		
5	WASHER	2		
6	E62089	SPRING	2		
7	POPPET	2		
8	ARMREST	2		
9	SOLENOID	2		
10	ORIFICE	2		
11	U40962	O-RING	2		6.071 X 1.778 MM (0.239" X 0.070")
12	T75984	O-RING	2		20.345 X 1.778 MM (0.801" X 0.070")
13	HOUSING	1		
14	E62094	WASHER	2		7.620 X 17.526 X 2.388 MM
15	SPRING	2		
16	R26906	O-RING	2		19.177 X 2.464 MM (0.755" X 0.097")
17	PIPE PLUG	2		
18	POPPET	2		
19	SPRING	2		
20	U40745	O-RING	2		15.545 X 2.616 MM (0.612" X 0.103")
21	CAP	2		
22		
23	AH147086	VALVE	1		
23	AH131326	SEAL	2		
24	AE50995	POPPET	2		
25	AH142731	KIT	2		

SOLENOID CONTROL VALVE MODULE ASSEMBLY AND MOUNTINGS

HP9416 -UN-04JAN00

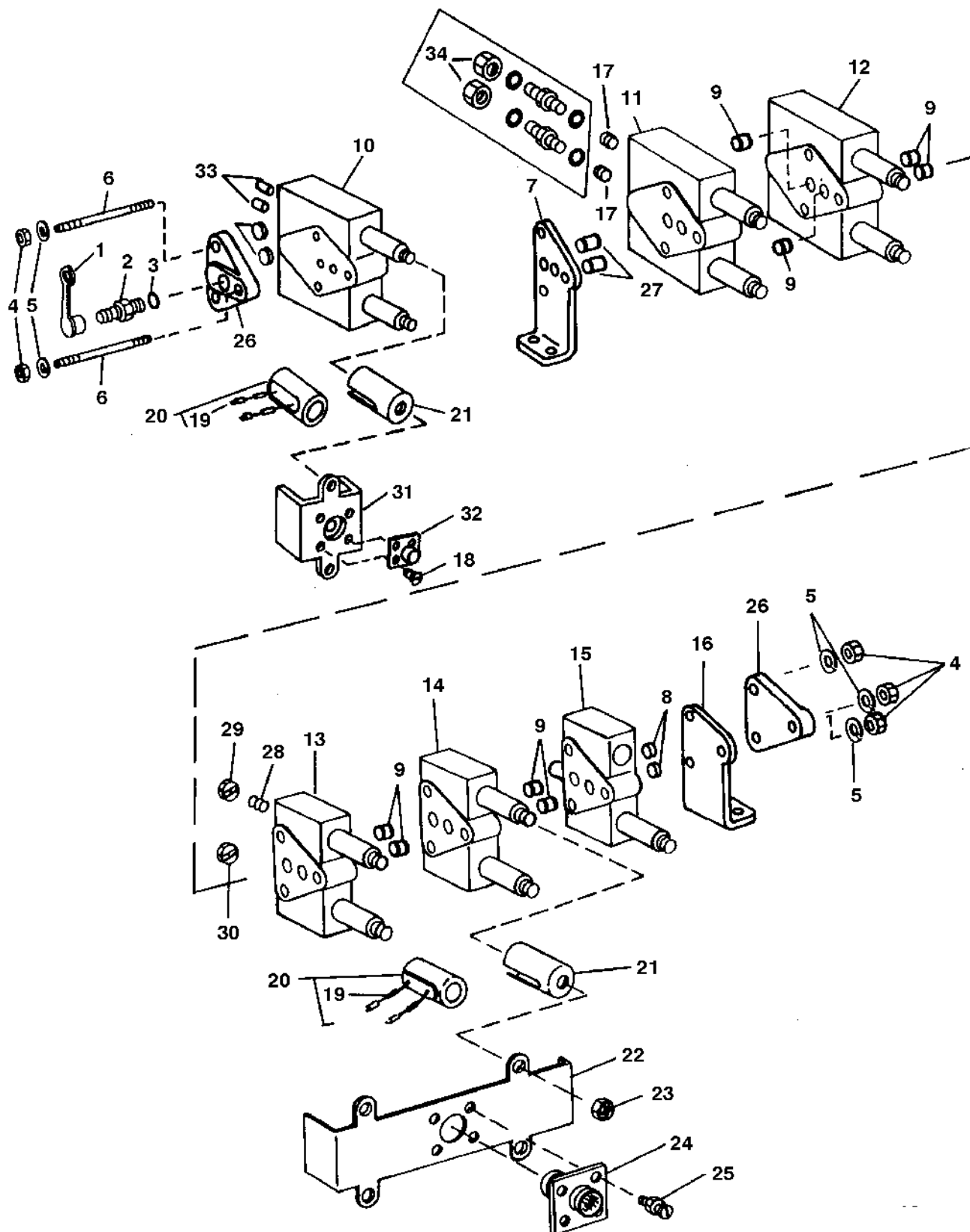


HP9416

SOLENOID CONTROL VALVE MODULE ASSEMBLY AND MOUNTINGS - CONTINUED

KEY	PART NO.	PART NAME	QTY	SERIAL NO.	REMARKS
1	R77175	COVER	1		
2	AH125760	HYD. QUICK-CONNECT COUPLER	1		
3	R26448	O-RING	1		
4	14H786	NUT	6	1/4"	
5	12H297	LOCK WASHER	6	1/4"	
6	E62892	STUD	3	1/4" X 11-3/4" 1/4" X 11-3/4" (CUT TO LENGTH)	
7	H139513	BRACKET	1		
8	AH131405	SEAL	3		
9	AH131326	SEAL	AR		(WITH 5 MODULES-USE 9; WITH 4 MODULES-USE 7)
10	AH147086	VALVE	AR		REEL FORE/AFT
11	AH139060	VALVE	1		(REEL LIFT/CYLINDER SPEED)
12	AH147084	VALVE	1		(CONTOUR MASTER)
13	AH147097	VALVE	1		UNLOAD (RELIEF) (CONTOUR MASTER)
14	H139512	BRACKET	1		
15	H135777	ORIFICE	2		0.76MM DIA.
16	H135776	ORIFICE	1		1.06MM DIA.
17	R77464	PIN CONTACT	AR		(PACKAGE OF 50)
18	AH124731	ELECTRICAL COIL	AR		(WITH 5 MODULES-USE 9; WITH 4 MODULES-USE 7)
19	E62942	COVER	AR		(WITH 5 MODULES-USE 9; WITH 4 MODULES-USE 7)
20	H135898	COVER	1		
21	A4655R	NUT	AR		(WITH 5 MODULES-USE 9; WITH 4 MODULES-USE 7)
22	57M7199	RECEPTACLE	1		(24 WAY)
23	21H1290	SCREW	4		0.138" X 1/2"
	14H1026	NUT	4		0.138"
24	H139515	MANIFOLD	2		
25	AH134733	SEAL	2		
26	AH147086	VALVE	1		
27	H145052	APERTURE	1		.406 MM DIA.
28	H145051	APERTURE	1		.940 MM DIA.

SIX STACK SOLENOID CONTROL VALVE MODULE ASSEMBLY AND MOUNTINGS
 HP6837 -UN-18AUG97

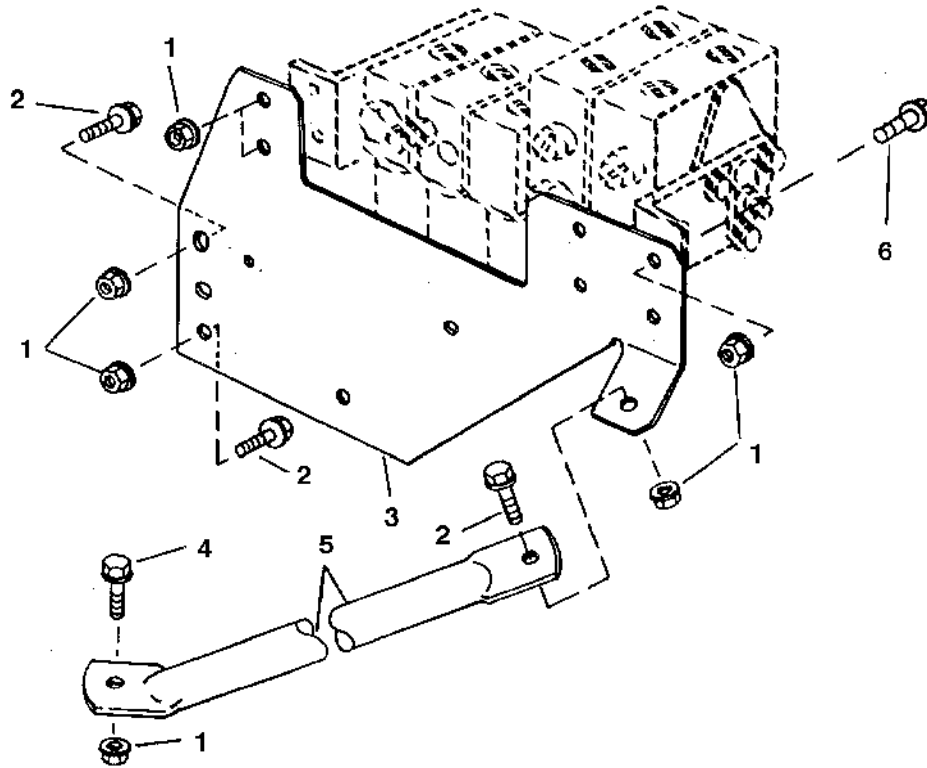


HP6837

SIX STACK SOLENOID CONTROL VALVE MODULE ASSEMBLY AND MOUNTINGS - CONTINUED

KEY	PART NO.	PART NAME	QTY	SERIAL NO.	REMARKS
1	R77175	COVER	1		
2	AH125760	HYD. QUICK-CONNECT COUPLER	1		
3	R26448	O-RING	1		
4	14H786	NUT	6	6.350 MM (1/4")	
5	12H297	LOCK WASHER	6	6.350 MM (1/4")	
6	H149803	TIE ROD	3	1/4" X 13-1/2" (CUT TO LENGTH)	
7	H139513	BRACKET	1	(USE WITH H139515 AND (2) AH134733)	
8	AH131405	SEAL	2		
9	AH131326	SEAL	10		
10	AH147086	VALVE	1	CONTOUR MASTER	
11	AH147086	VALVE	1	REEL FORE/AFT	
12	AH147086	VALVE	1	AUGER SWING	
13	AH139060	VALVE	1	(USE WITH E62917, H145051, H145052 AND (2) 38H1160) REEL LIFT/CYLINDER SPEED	
14	AH147084	VALVE	1	(CONTOUR MASTER)	
15	AH147097	VALVE	1	UNLOAD (RELIEF) (CONTOUR MASTER)	
16	H139512	BRACKET	1	(USE WITH H139515)	
17	H135777	ORIFICE	2	0.76 MM DIA.	
18	M71770	SCREW	4		
19	R77464	PIN CONTACT	AR	(PKG. OF 50)	
20	AH124731	ELECTRICAL COIL	11		
21	E62942	COVER	11		
22	H135898	COVER	1		
23	A4655R	NUT	11		
24	57M7199	RECEPTACLE	1	(24 WAY)	
25	21H1290	SCREW	4	3.505 X 12.700 MM (0.138" X 1/2")	
	14H1026	NUT	4	3.505 MM (0.138")	
26	H139515	MANIFOLD	2		
27	AH134733	SEAL	2		
28	E62917	ORIFICE	1	0.508 MM DIA.	
29	H145052	APERTURE	1	0.406 MM DIA.	
30	H145051	APERTURE	1	0.940 MM DIA.	
31	H150062	COVER	1		
32	RECEPTACLE	1	(4 PIN CONNECTOR)	
33	H149804	ORIFICE	2	1.19 MM DIA.	
34	38H1415	FITTING PLUG	2	(W/CONTOUR MASTER) (W/O REEL FORE/AFT)	

SOLENOID CONTROL VALVE BRACKETS
 HP6838 -UN-18AUG97

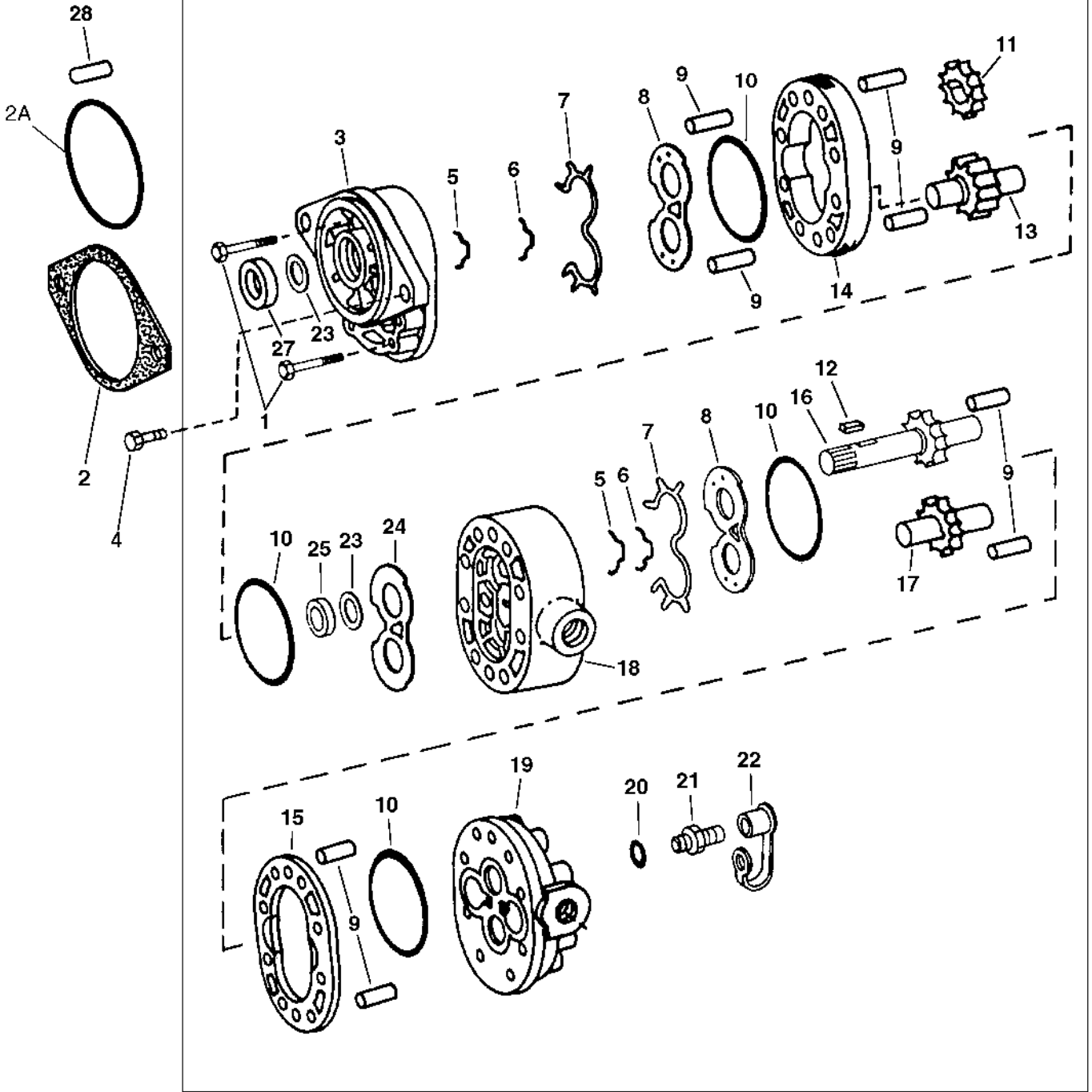


HP6838

KEY	PART NO.	PART NAME	QTY	SERIAL NO.	REMARKS
1	14M7298	FLANGE NUT	8	M8	
2	19M7866	SCREW	2		
3	H159291	BRACKET	1	(SUB H166148)	
4	19M7803	SCREW	1	M8 X 70	
5	H158638	BRACE	1		
6	19M7897	SCREW	4	M8 X 35	

MEMORANDA

MAIN HYDRAULIC PUMP
HP8518 -UN-27APR99



HP8518

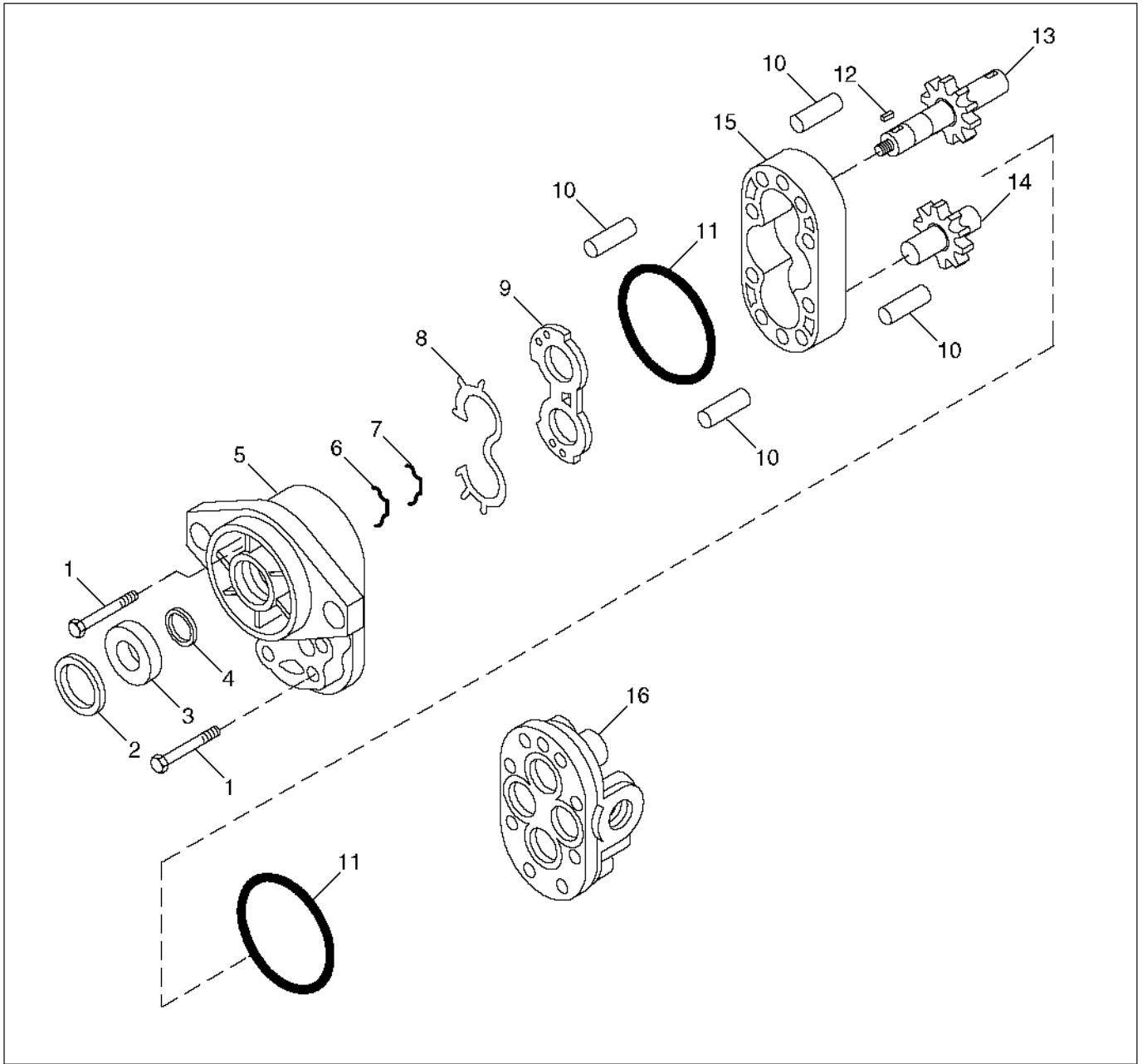
26

MAIN HYDRAULIC PUMP - CONTINUED

KEY	PART NO.	PART NAME	QTY	SERIAL NO.	REMARKS
1	GG310-30411	SCREW	8		
	H135569	CAP SCREW	8		
2	H131121	GASKET	1	-675493	
2A	E65288	O-RING	1	675494-	
3	PLATE	1		
4	19H1732	CAP SCREW	2		3/8" X 1-1/4"
	12H304	LOCK WASHER	2		3/8"
5	SEAL	2		(A)
6	GASKET	2		(A)
7	GASKET	2		(A)
8	DIAPHRAGM	2		(A)
9	H116213	DOWEL PIN	8		
10	H80821	O-RING	4		(A)
11	PARALLEL SHAFT GEAR DRIVE	1		
12	H125929	SHAFT KEY	1		
13	GEAR	1		
14	HOUSING	1		
15	LINK BODY	1		
16	GEAR	1		
17	GEAR	1		
18	PLATE	1		
19	PLATE	1		
20	R26448	O-RING	1		(A)
21	AH125760	HYD. QUICK-CONNECT COUPLER	1		
22	R77175	COVER	1		
23	M48869	WASHER	2		19.215 X 25.337 X 0.813 MM (0.757" X 0.998" X 0.032") (A)
24	PLATE	1		(A)
25	SEAL	1		(A)
26	AH131182	HYDRAULIC PUMP	1	-679999	(EATON CORP. NO. R25380 - RAG) REMANUFACTURED
	AH131183	HYDRAULIC PUMP	1	680000-	REMANUFACTURED
27	SEAL	1		(A)
28	H121973	SHAFT KEY	1	-28SEP8	
..	AH162145	SEAL KIT	1		(SUB FOR AH131181) (INCLUDES PARTS MARKED A)

2113

REEL / BELT PICKUP DRIVE PUMP
HP8488 -UN-20APR99



HP8488

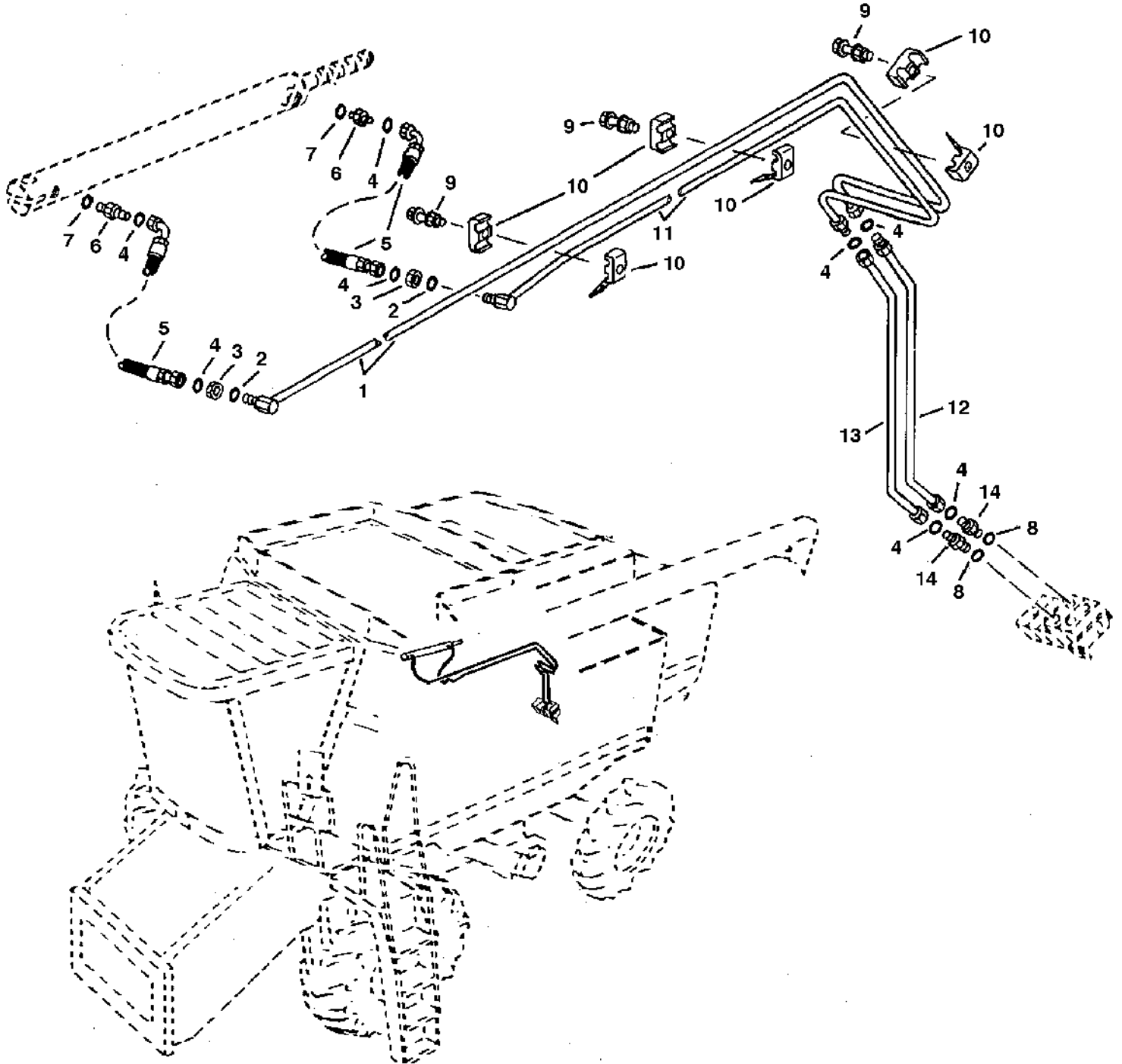
2114

HYDRAULICS

REEL / BELT PICKUP DRIVE PUMP - CONTINUED

KEY	PART NO.	PART NAME	QTY	SERIAL NO.	REMARKS
1	E61791	BOLT	8		
2	M41029	SNAP RING	1		7.925 X 69.850 MM (5/16" X 2-3/4")
3	AH131842	SEAL	1		(KIT AH131176)
4	M48869	WASHER	1		
5	PLATE	1		19.215 X 25.337 X 0.813 MM (0.757" X 0.998" X 0.032") (KIT AH131176)
6	SEAL	1		(KIT AH131176)
7	GASKET	1		(KIT AH131176)
8	GASKET	1		(KIT AH131176)
9	WEAR PLATE	1		(KIT AH131176)
10	H116213	DOWEL PIN	4		
11	H80821	O-RING	2		(KIT AH131176)
12	N34986	SHAFT KEY	1		
13	AH131304	SHAFT	1		
14	GEAR	1		
15	HOUSING	1		
16	PLATE	1		
17	AH131178	HYDRAULIC PUMP	1		(CESSNA NO. R25305-RAK) - REMANUFACTURED
..	AH131176	SEAL KIT	1		

UNLOADING AUGER SWING CYLINDER LINES AND HOSES
HP6840 -UN-26AUG97

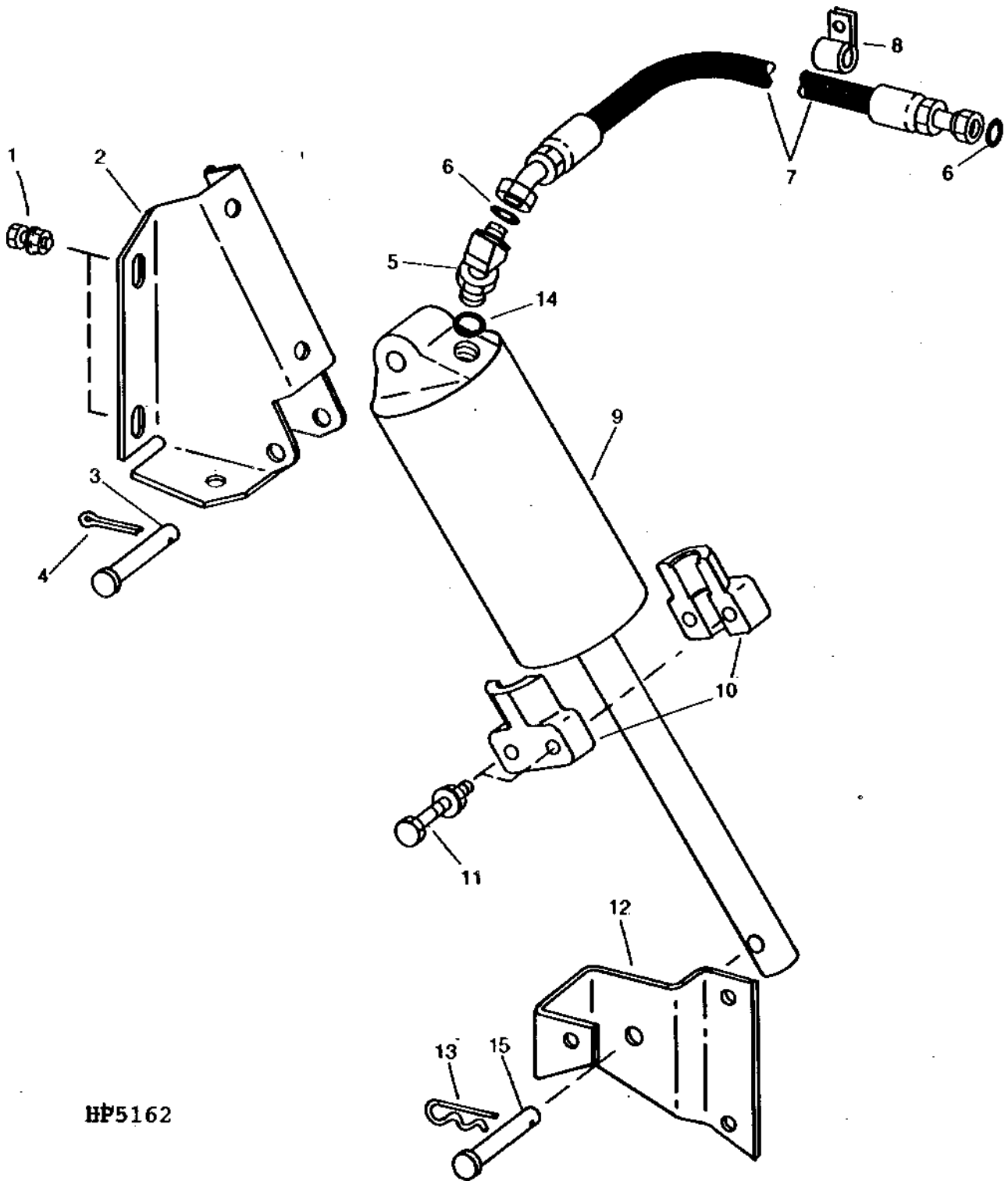


HP6840

UNLOADING AUGER SWING CYLINDER LINES AND HOSES - CONTINUED

KEY	PART NO.	PART NAME	QTY	SERIAL NO.	REMARKS
1	AH128641	HYDRAULIC LINE	1		(EXTEND)
2	24M7114	WASHER	2		19 X 30 X 4 MM
3	T81029	NUT	2		17.475 MM (11/16")
4	T77613	O-RING	8		
5	AH130581	HYDRAULIC HOSE	2		11/16" X 780 MM (30-3/4") X 11/16"
6	38H1160	ADAPTER	2		
7	R26448	O-RING	2		
8	R26375	O-RING	2		
9	19M7868	SCREW	3		M8 X 30
	14M7298	FLANGE NUT	3		M8
10	H108745	CLAMP	3		
11	AH128642	HYDRAULIC LINE	1		(RETRACT)
12	AH128855	HYDRAULIC LINE	1		(EXTEND)
13	AH128854	HYDRAULIC LINE	1		(RETRACT)
14	38H1171	ADAPTER	2		

GRAIN TANK UNLOADING DRIVE CYLINDER WITH MOUNTING AND HOSE
HP5162 -UN-01JAN94



HP5162

GRAIN TANK UNLOADING DRIVE CYLINDER WITH MOUNTING AND HOSE - CONTINUED

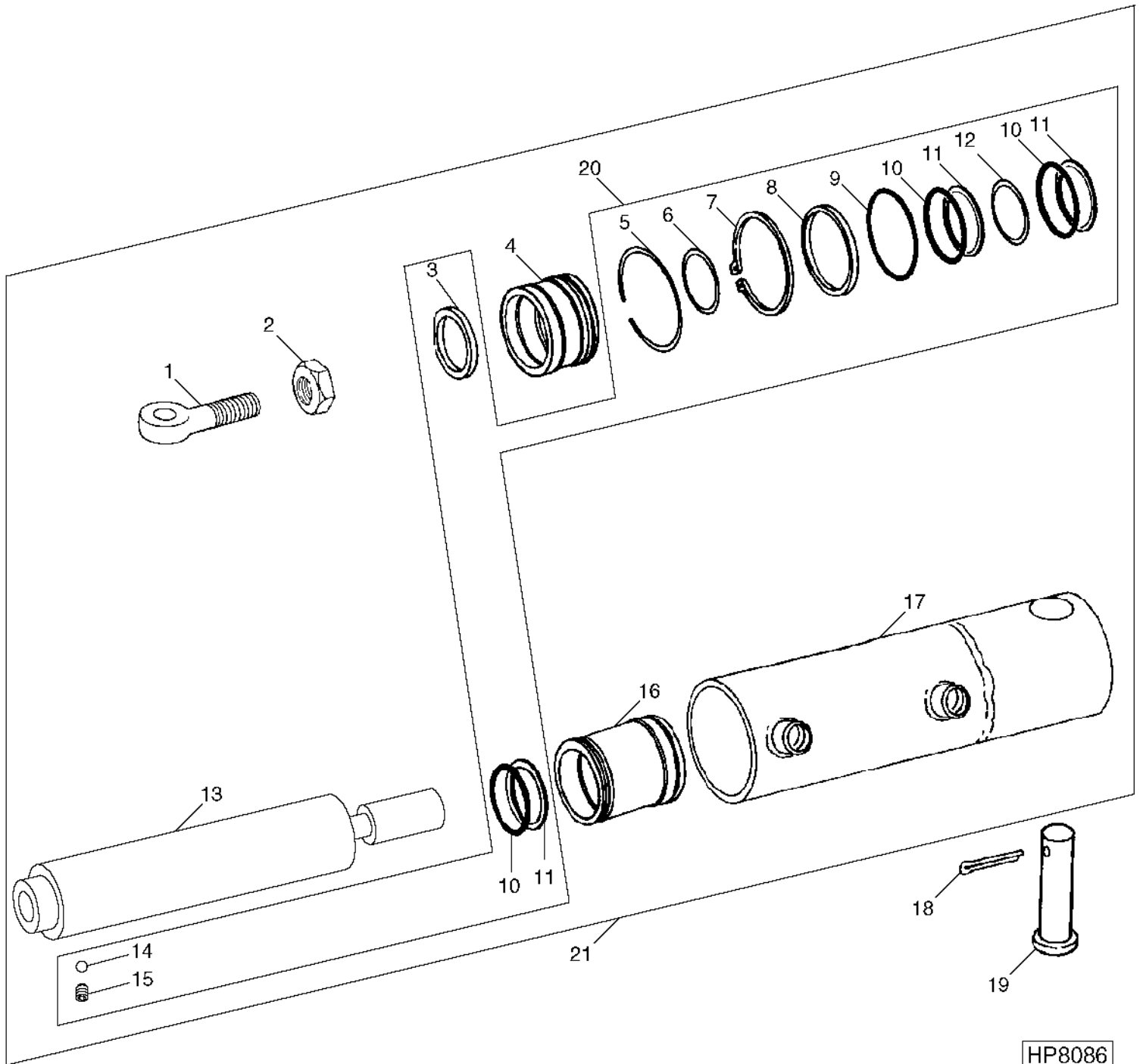
KEY	PART NO.	PART NAME	QTY	SERIAL NO.	REMARKS
1	19M7866	SCREW	4	M8 X 20	
	14M7298	FLANGE NUT	4	M8	
2	H129588	BRACKET	1		
3	H98765	PIN	1		
4	11M7059	COTTER PIN	1	3.200 X 20 MM	
5	38H1045	ELBOW FITTING	1		
6	T77613	O-RING	2		
7	AH120160	HYDRAULIC HOSE	1		
8	AH96317	CLIP	1		
9	AH116006	HYDRAULIC CYLINDER	1		
10	H133688	STOP	2		
11	19M8319	SCREW	2	M8 X 50	
	14M7298	FLANGE NUT	2	M8	
12	H133690	BRACKET	1		
13	J16931	SPRING LOCKING PIN	1		
14	R26448	O-RING	1		
15	H148340	PIN	1		

2119

HYDRAULICS

UNLOADING AUGER SWING CYLINDER AND MOUNTING

HP8086 -UN-11JAN99

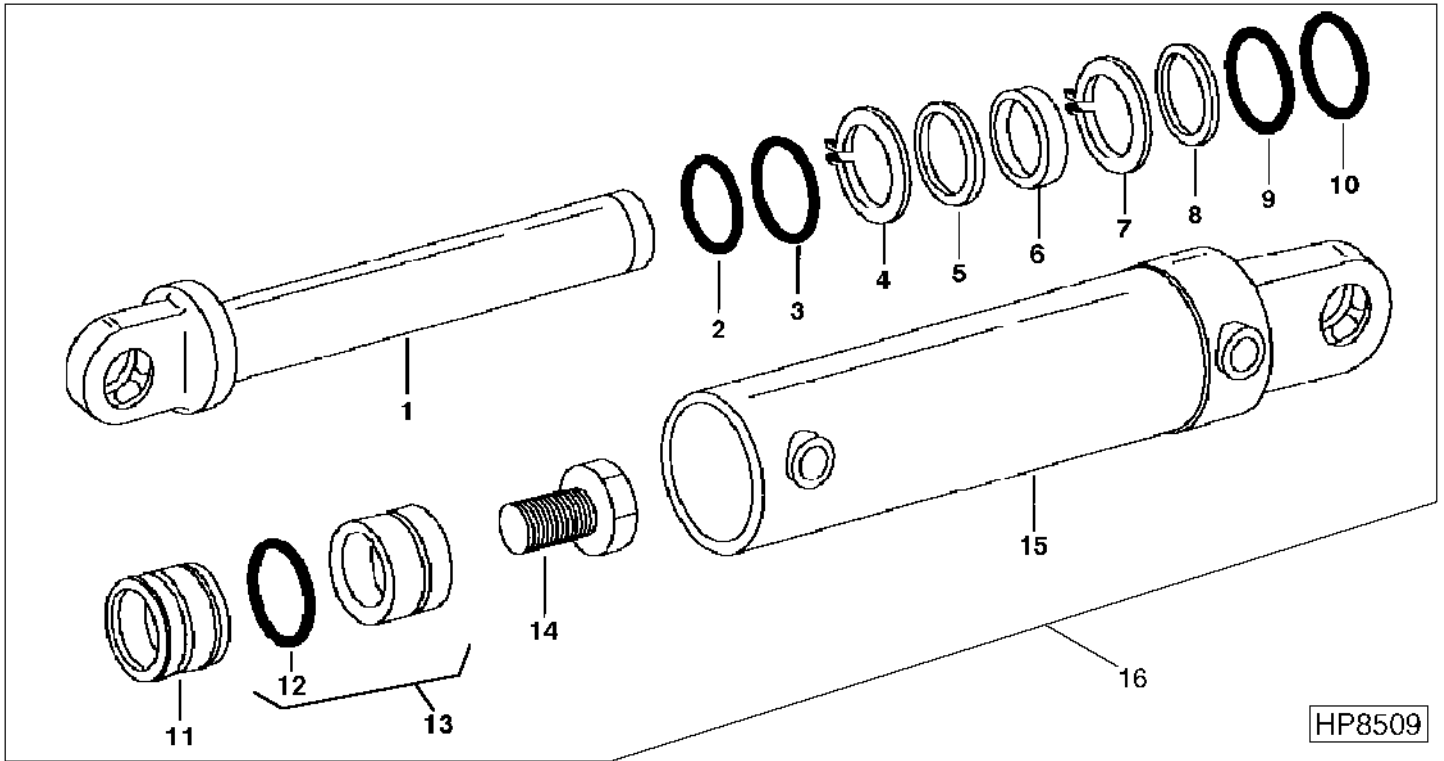


HP8086

UNLOADING AUGER SWING CYLINDER AND MOUNTING - CONTINUED

KEY	PART NO.	PART NAME	QTY	SERIAL NO.	REMARKS
1	H150926	EYEBOLT	1		
2	14H904	NUT	1		19.050 MM (3/4")
3	SEAL	1		
4	BEARING	1		
5	SNAP RING	1		
6	SEAL	1		
7	RING	1		
8	WASHER	1		
9	O-RING	1		
10	O-RING	1		
11	RING	1		
12	O-RING	1		
13	H150920	ROD	1		
14	L36230	BALL	1		4.500 MM (0.177")
15	22H897	SET SCREW	1		6.350 X 6.350 MM (1/4" X 1/4")
16	PISTON	1		
17	HYDRAULIC CYLINDER BARREL	1		
18	11H218	COTTER PIN	1		
19	R56930	PIN	1		
20	AH146043	KIT	1		
21	AH145030	HYDRAULIC CYLINDER	1		

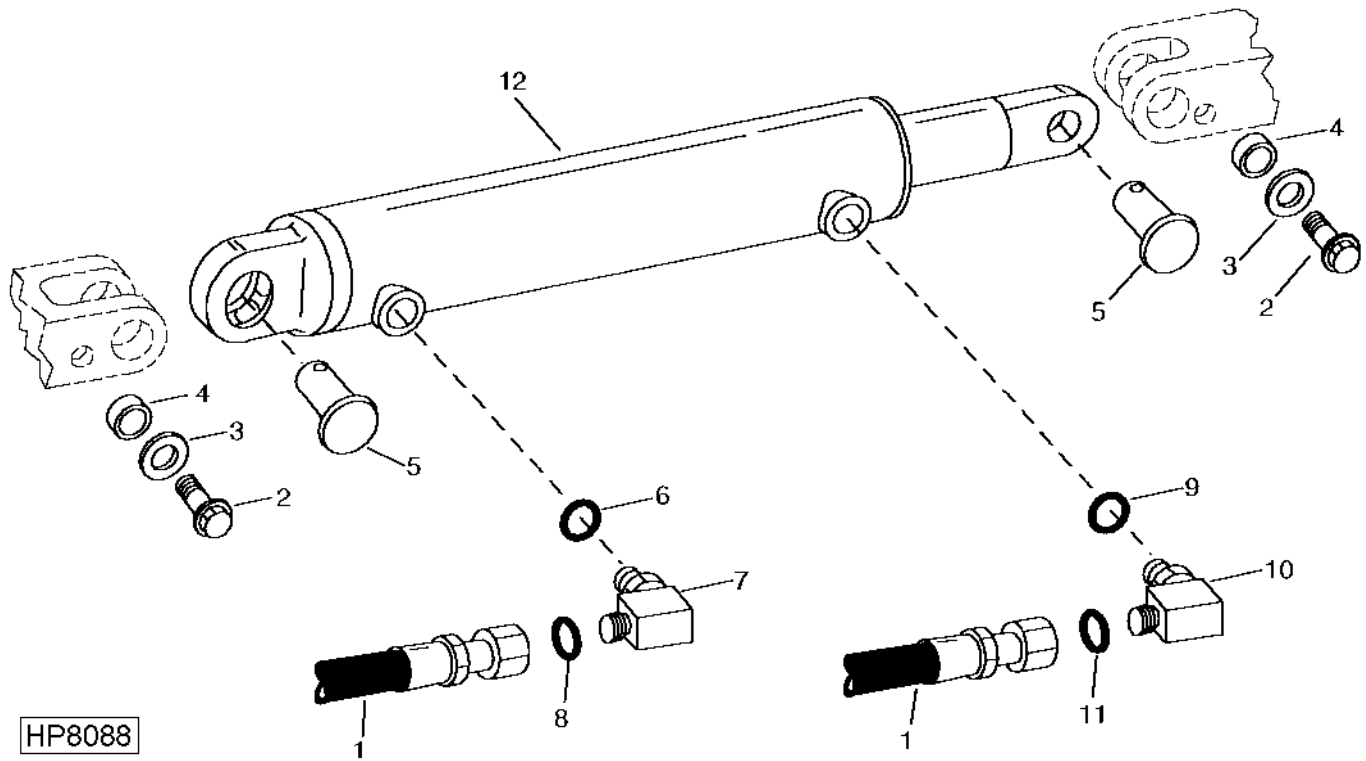
TILT CYLINDER - CONTOUR MASTER
 HP8509 -UN-21APR99



KEY	PART NO.	PART NAME	QTY	SERIAL NO.	REMARKS
1	AH144482	ROD	1		
2	P45750	O-RING	1		
	T22828	O-RING	1	(A)	
3	H150411	SEAL	1	(A)	
4	R90565	SNAP RING	1		
5	H169509	BACK-UP RING	1	(A)	
6	H150412	SEAL	1	(A)	
7	R82571	SNAP RING	1		
8	H151629	WEAR RING	1	(A)	
9	R79117	WASHER	1	(A)	
10	H158942	O-RING	1	(A)	
11	H151694	HYDR. CYLINDER ROD GUIDE	1		
12	H144342	PISTON RING	1	(A)	
13	AH138200	PISTON	1		
14	19H2672	CAP SCREW	1		15.875 X 50.800 MM (5/8" X 2")
15	AH144480	HYDRAULIC CYLINDER BARREL	1		
16	AH143322	HYDRAULIC CYLINDER	1		
..	AH167553	HYDRAULIC CYLINDER KIT	1		INCLUDES PARTS MARKED (A)

TILT CYLINDER HOSES AND FITTINGS - CONTOUR MASTER

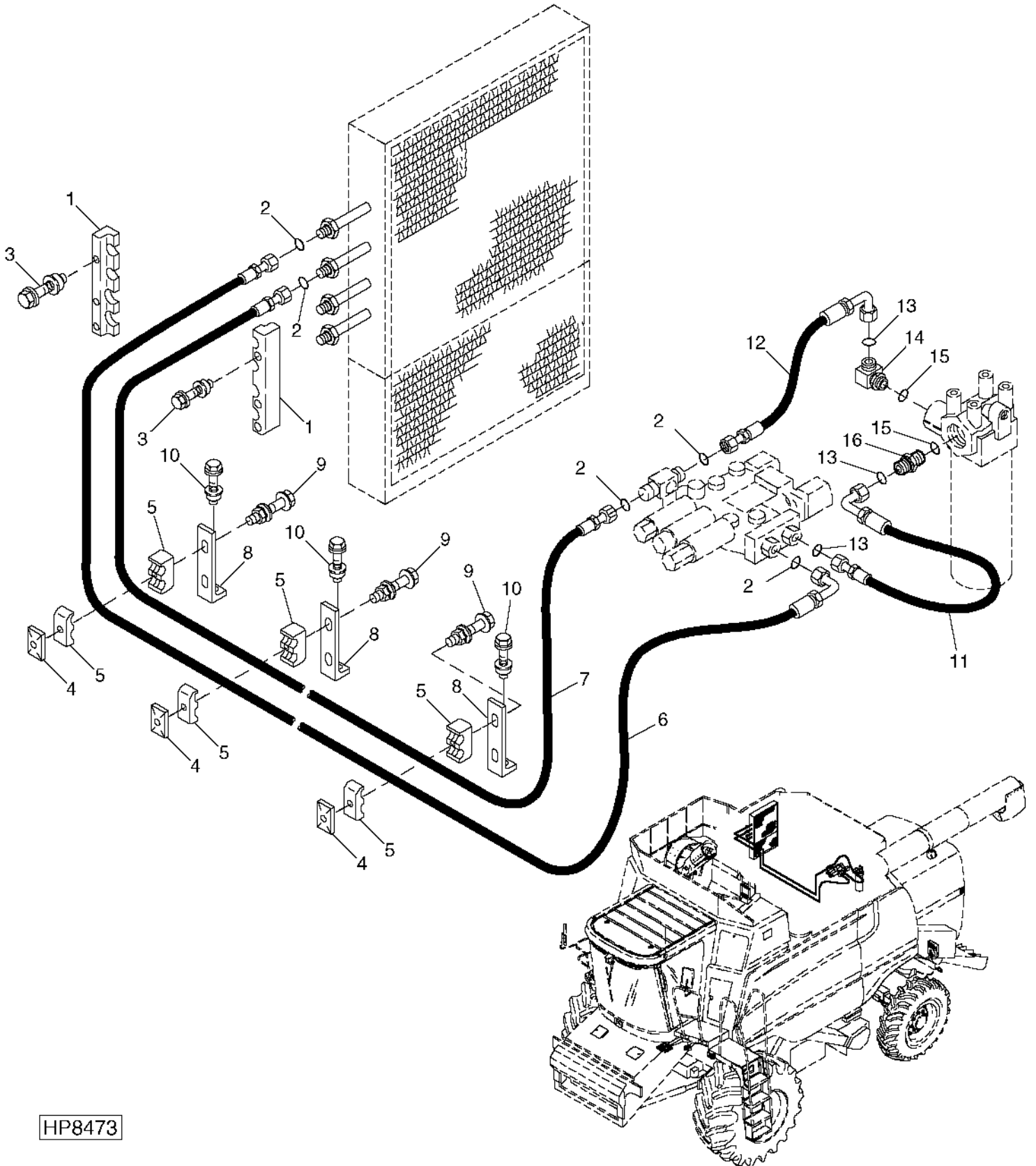
HP8088 -UN-15DEC98



HP8088

KEY	PART NO.	PART NAME	QTY	SERIAL NO.	REMARKS
1	AH143682	HYDRAULIC HOSE	2		
2	19M7866	SCREW	2	M8 X 20	
3	24H1291	WASHER	2	8.331 X 37.313 X 2.769 MM	
4	28H1511	WASHER	2	9.246 X 13.716 X 6.350 MM	
5	R56930	PIN	2	18.948 X 69.850 MM	
6	R28782	O-RING	1	8.915 X 1.829 MM	
7	38H1003	ELBOW FITTING	1		
8	T77814	O-RING	1	7.645 X 1.778 MM	
9	R26448	O-RING	1	11.887 X 1.981 MM	
10	38H1004	ELBOW FITTING	1		
11	T77613	O-RING	1	9.246 X 1.778 MM (0.364" X 0.070")	
12	AH143322	HYDRAULIC CYLINDER	1		ALSO NEED (1) R28782 O-RING AND (1)38H1003 ELBOW FITTING FOR MACHINES PRIOR TO -660314

WET CLUTCH OIL COOLER LINES AND HOSES
HP8473 -UN-21APR99



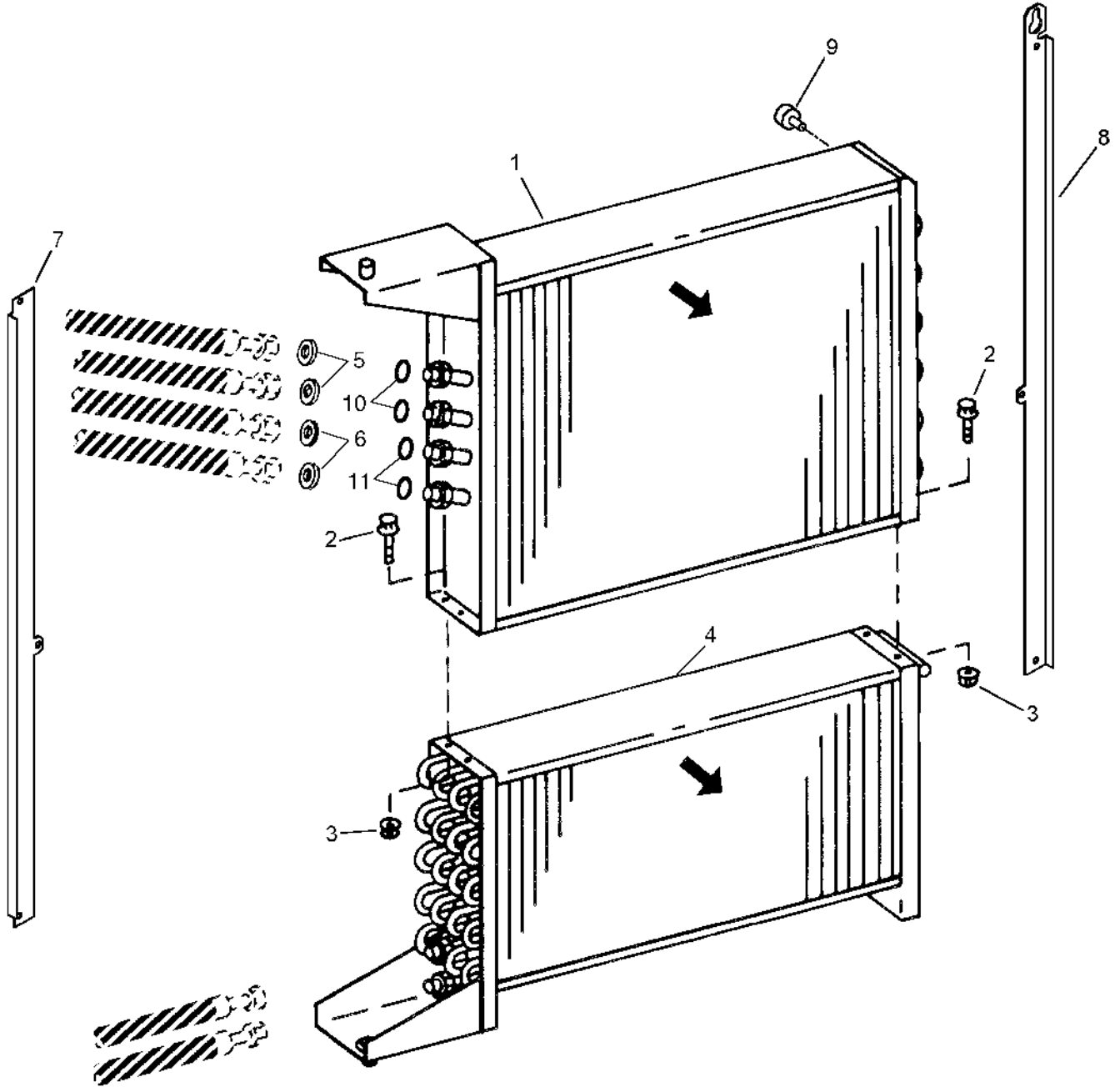
HP8473

WET CLUTCH OIL COOLER LINES AND HOSES - CONTINUED

KEY	PART NO.	PART NAME	QTY	SERIAL NO.	REMARKS
1	H151585	CLAMP	2		
2	T77932	O-RING	5		
3	19M8317	SCREW	6		M8 X 40
	14M7298	FLANGE NUT	3		M8
4	H112567	PLATE	3		
5	H150983	CLAMP	6		
6	AH145239	HYDRAULIC HOSE	1		
7	AH145241	HYDRAULIC HOSE	1		
8	H150980	BRACKET	3		
9	19M7979	SCREW	3		M8 X 55
	14M7298	FLANGE NUT	3		M8
10	19M7866	SCREW	3		M8 X 20
	14M7298	FLANGE NUT	3		M8
11	AH128780	HYDRAULIC HOSE	1		
12	AH128779	HYDRAULIC HOSE	1		
13	T77857	O-RING	3		
14	38H1013	ELBOW FITTING	1		
15	U12547	O-RING	2		
16	38H1175	ADAPTER	1		

2J1

OIL COOLER AND A/C CONDENSER
HP8312 -UN-05MAR99

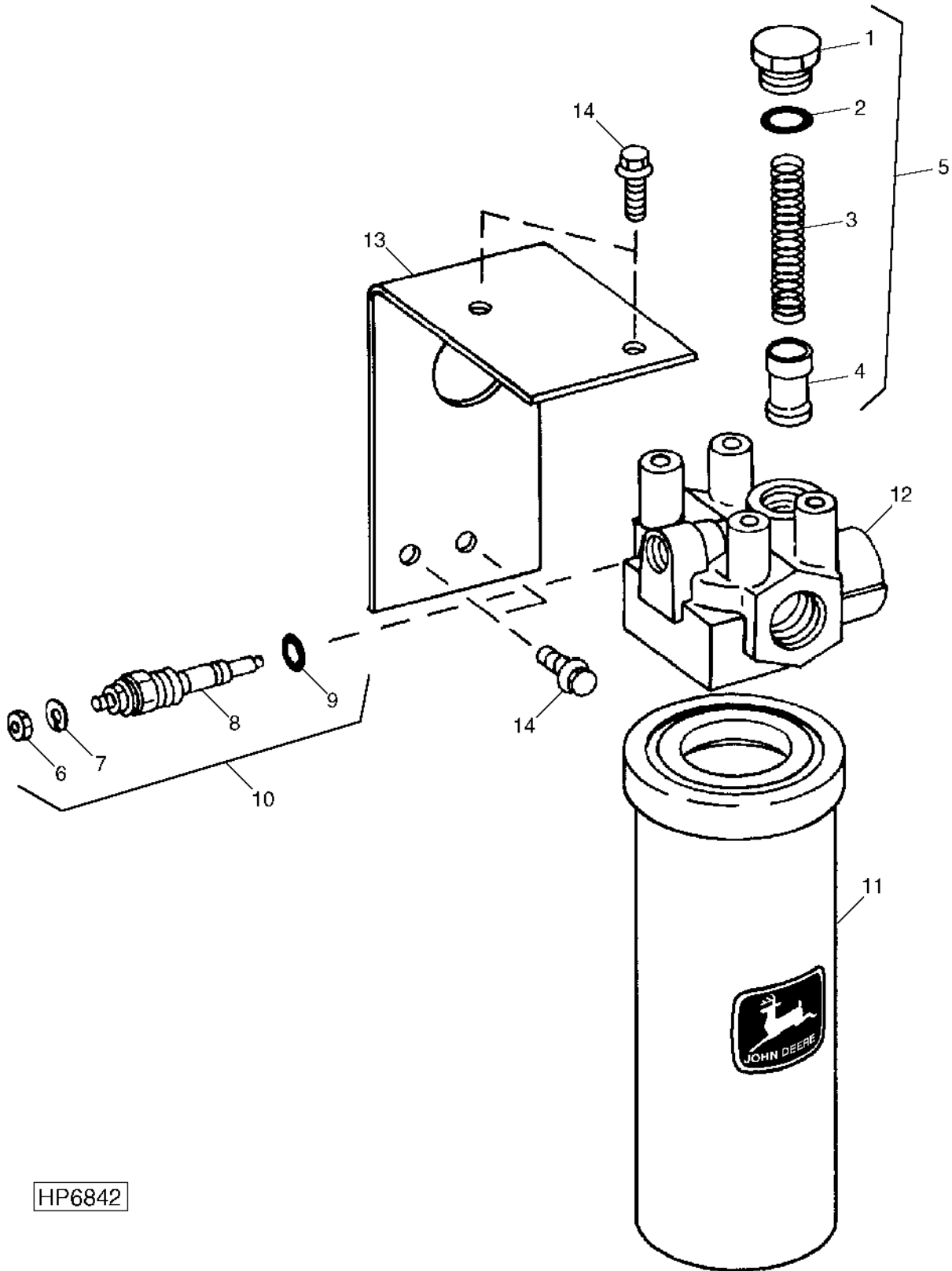


HP8312

OIL COOLER AND A/C CONDENSER - CONTINUED

KEY	PART NO.	PART NAME	QTY	SERIAL NO.	REMARKS
1	AH149588	OIL COOLER	1		(SUB FOR AH145232)
2	19M7774	SCREW	4		M6 X 12
3	14M7303	FLANGE NUT	4		M6
4	AH149618	VAPOR CONDENSER	1		EVAPORATOR
5	24H1534	WASHER	4		
6	24H1462	WASHER	2		
7	H162584	BRACKET	1		R.H.
8	H162585	BRACKET	1		L.H.
9	H158596	STOP	1	675197-	
10	T77932	O-RING	2	680119-	
11	T77858	O-RING	2	680119-	

ENGINE GEARCASE OIL FILTER ASSEMBLY
HP6842 -UN-27JUL99



HP6842

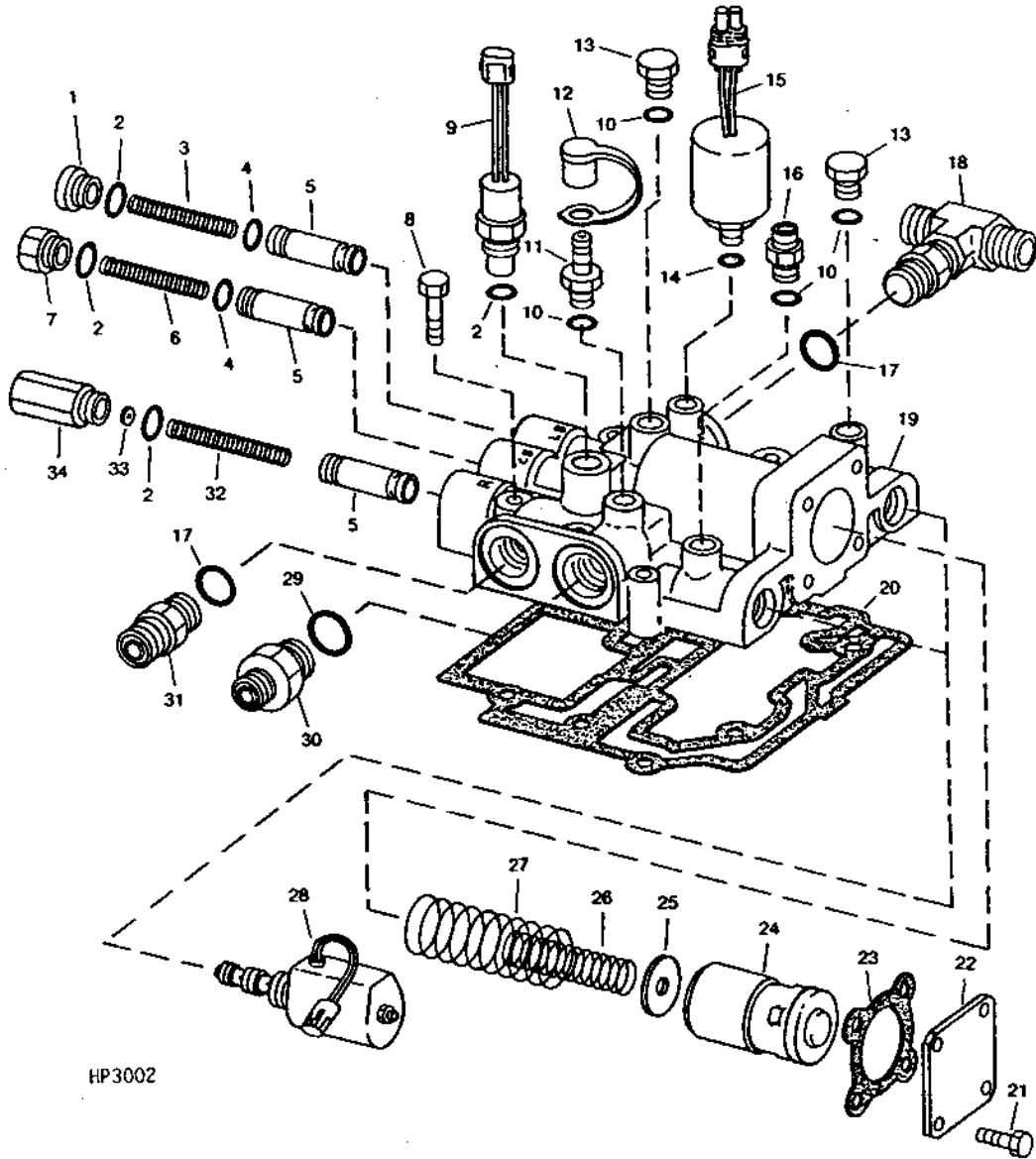
ENGINE GEARCASE OIL FILTER ASSEMBLY - CONTINUED

KEY	PART NO.	PART NAME	QTY	SERIAL NO.	REMARKS
1	PLUG	1		
2	R26906	O-RING	1		
3	SPRING	1		
4	PISTON	1		
5	AH128451	VALVE	1		
6	14H631	NUT	1		0.190"
7	12H295	LOCK WASHER	1		0.190"
8	SENDER	1		
9	R26448	O-RING	1		
10	AH128450	TOUCH SWITCH	1		
11	AH128449	HYDRAULIC FILTER	1		
12	AH139434	HYDRAULIC FILTER	1		
13	H133675	BRACKET	1		
14	19M7784	SCREW	4		M10 X 20

2J5

HYDRAULICS

ENGINE GEARCASE PRESSURE REGULATOR HP3002 -UN-10OCT88



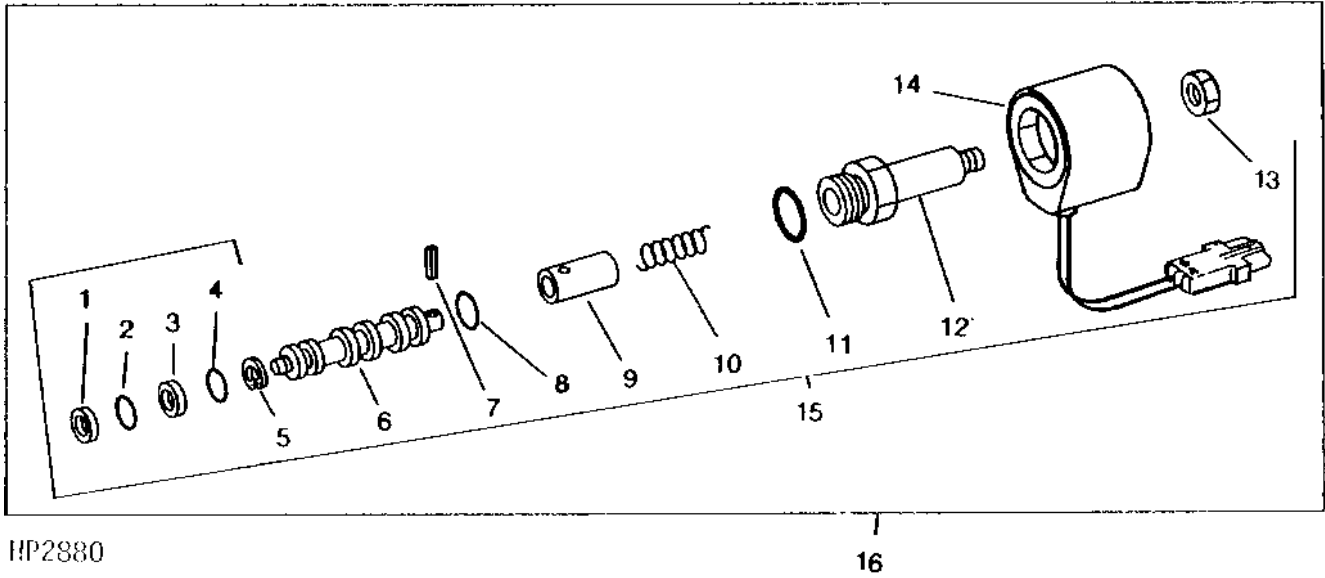
HP3002

ENGINE GEARCASE PRESSURE REGULATOR - CONTINUED

KEY	PART NO.	PART NAME	QTY	SERIAL NO.	REMARKS
1	R33138	FITTING	1		
2	R26375	O-RING	4		
3	H89241	SPRING	1		
4	R28776	O-RING	2		
5	R63980	VALVE	3		
6	R56782	SPRING	1		
7	H126026	FITTING	1		
8	19M7979	SCREW	7		M8 X 55
9	AH116105	SWITCH	1		GEARCASE TEMPERATURE SWITCH
	R78059	ELECTRICAL PLUG	1		(PKG OF 40)
10	R26448	O-RING	4		
11	AH125760	HYD. QUICK-CONNECT COUPLER	1		
12	R77175	COVER	1		
13	R27218	FITTING PLUG	2		
14	R28782	O-RING	1		
15	AH135744	SWITCH	1		(PKG OF 40)
	RE12363	CONNECTOR	1		
	R78063	TERMINAL NIPPLE	1		
	R78060	SOCKET CONTACT	1		
16	38H1160	ADAPTER	1		
17	R26906	O-RING	2		
18	38H1018	TEE FITTING	1		
19	H132970	HOUSING	1		
20	H129328	GASKET	1		
21	19M7867	SCREW	4		M8 X 25
22	H118906	COVER	1		
23	H129765	GASKET	1		
24	T77514	PISTON	1		
25	24H1312	WASHER	1		13/32" X 1-3/8" X 0.105"
26	R47449	SPRING	1		
27	T45132	SPRING	1		
28	AH128655	SOLENOID VALVE	2		
29	U12547	O-RING	1		
30	38H1175	ADAPTER	1		
31	38H1162	ADAPTER	1		
32	T60314	SPRING	1		
33	R33521	SHIM	AR		
34	H126028	FITTING	1		
..	AH128785	SHUT-OFF VALVE	1		(COMPLETE)

SOLENOID CONTROL VALVE FOR WET CLUTCH PRESSURE REGULATOR

HP2880 -UN-01JAN94



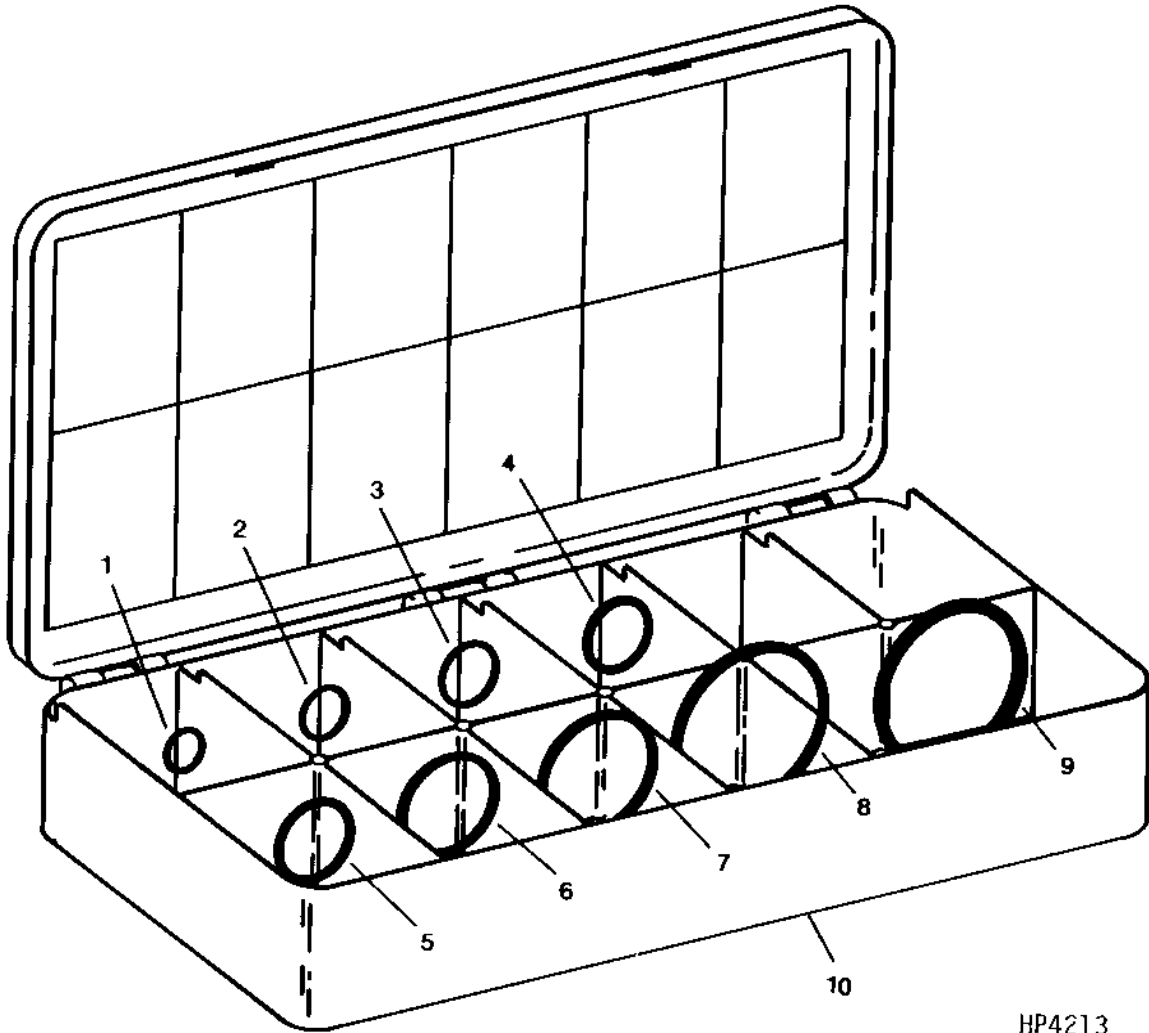
KEY	PART NO.	PART NAME	QTY	SERIAL NO.	REMARKS
1	R42926	BACK-UP RING	1		
2	T77857	O-RING	1		
3	R45187	BACK-UP RING	1		
4	R45638	O-RING	1		
5	R46701	SNAP RING	1		
6	VALVE SPOOL	1		
7	34H227	SPRING PIN	1	3/32" X 1/2"	
8	N31772	O-RING	1		
9	PLUNGER	1		
10	R64698	SPRING	1		
11	U12547	O-RING	1		
12	GUIDE	1		
13	M63707	LOCK NUT	1		
14	AH128654	ELECTRICAL COIL	1		
	R78053	PIN CONTACT CONNECTOR BODY	1		(PKG OF 3)
	R78059	ELECTRICAL PLUG	1		(PKG OF 40)
	R78061	PIN CONTACT	1		(PKG OF 40)
15	AH130949	SOLENOID VALVE	1		
16	AH128655	SOLENOID VALVE	1		

MEMORANDA

2J8

HYDRAULICS

HYDRAULIC FLAT O-RING KIT
HP4213 -UN-01JAN94



HP4213

2J9

HYDRAULICS

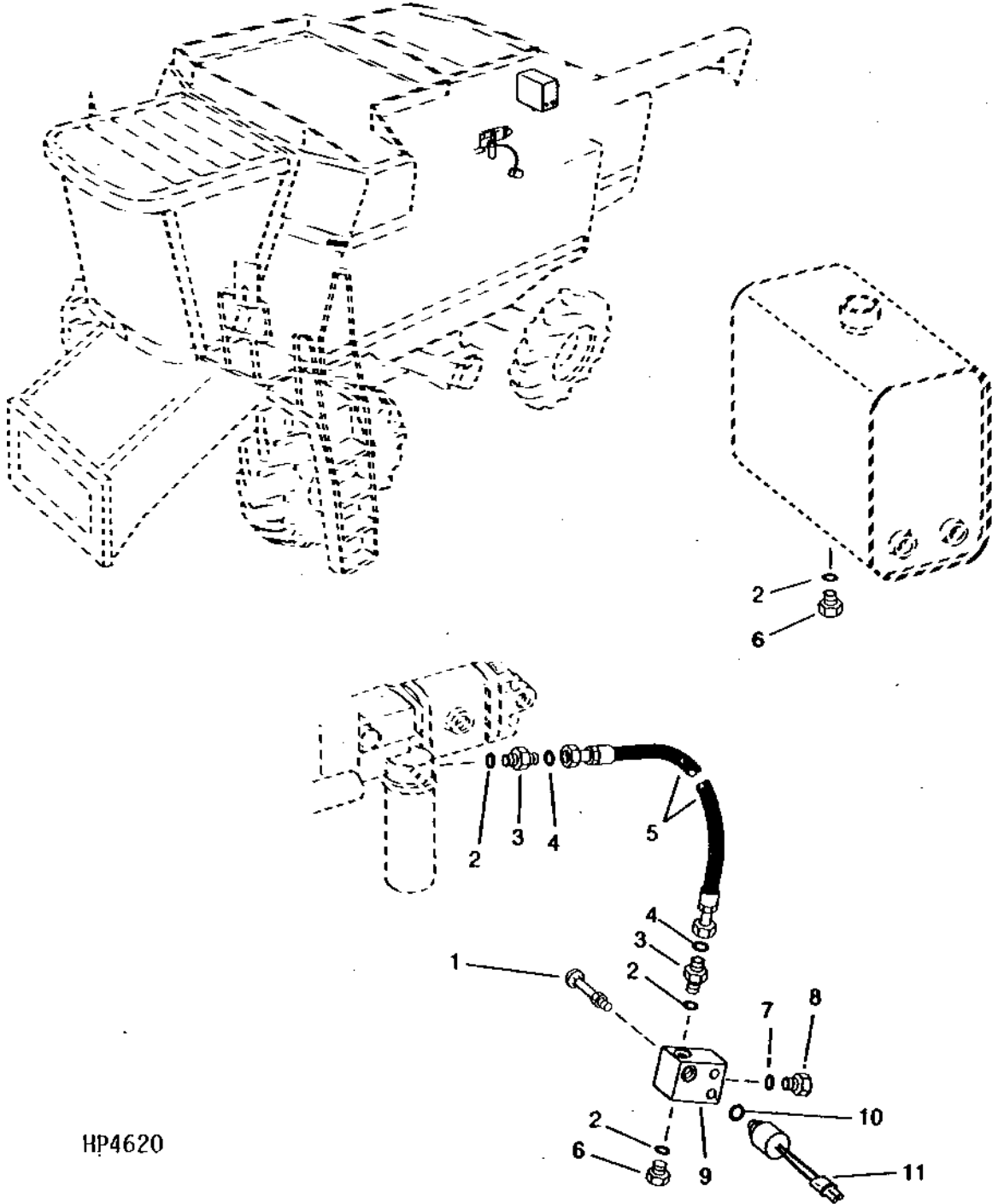
HYDRAULIC FLAT O-RING KIT - CONTINUED

KEY	PART NO.	PART NAME	QTY	SERIAL NO.	REMARKS
1	T77814	O-RING	10	SIZE -4	
2	T77613	O-RING	12	SIZE -6	
3	T77857	O-RING	12	SIZE -8	
4	T77932	O-RING	12	SIZE -10	
5	T77858	O-RING	12	SIZE -12	
6	T76938	O-RING	12	SIZE -16	
7	T78612	O-RING	5	SIZE -20	
8	T78784	O-RING	5	SIZE -24	
9	T78313	O-RING	6		
10	AT85197	O-RING KIT	1		

2J10

HYDRAULICS

CHARGE PRESSURE HOSE
HP4620 -UN-01JAN94



2J11

HYDRAULICS

CHARGE PRESSURE HOSE - CONTINUED

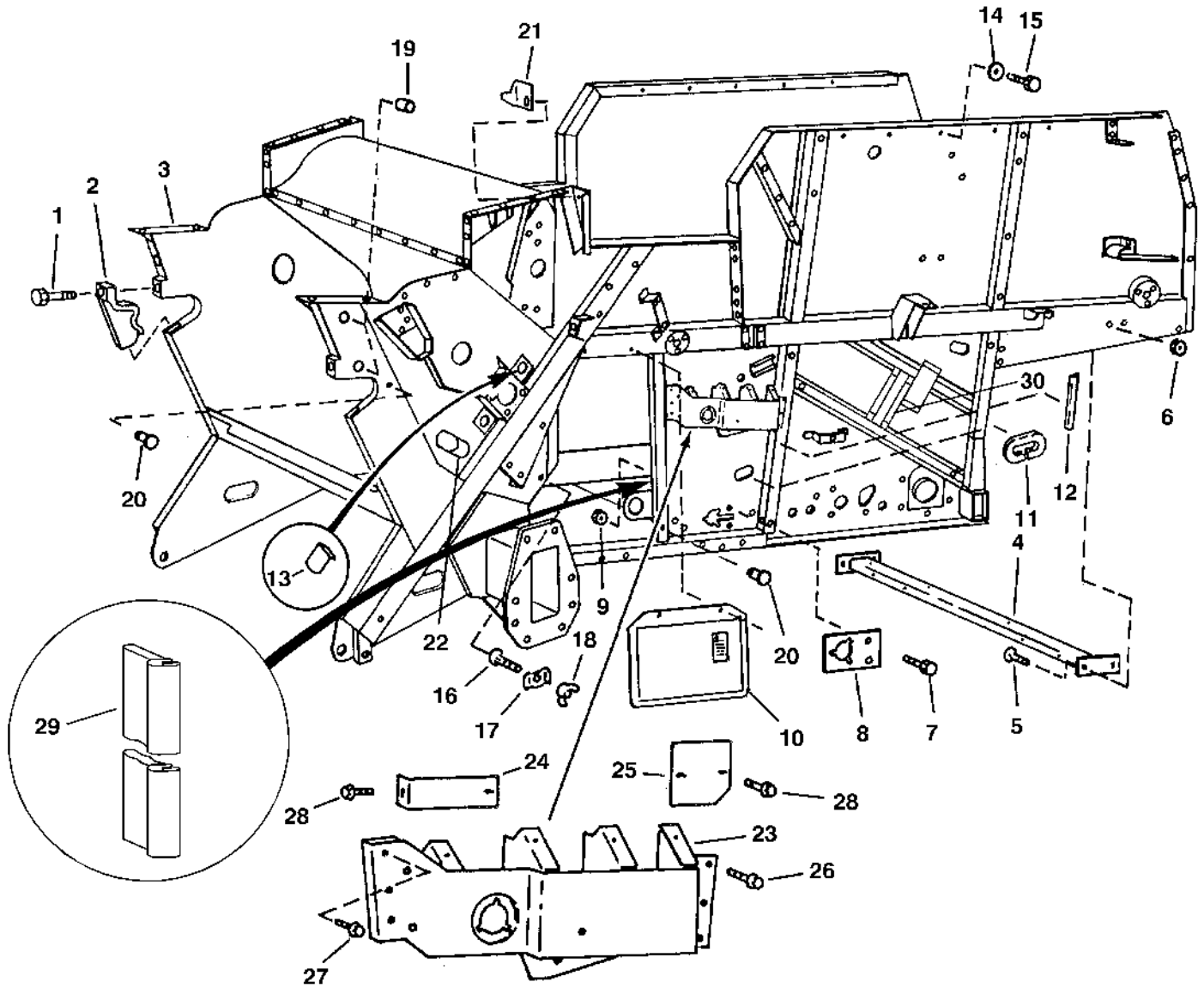
KEY	PART NO.	PART NAME	QTY	SERIAL NO.	REMARKS
1	03M7267	BOLT	2		
	14M7298	FLANGE NUT	2		
2	R26448	O-RING	4		
3	38H1160	ADAPTER	2		
4	T77613	O-RING	2		
5	AH128894	HYDRAULIC HOSE	1		11/16" X 570 MM (22-1/2") X 11/16" (PRESSURE)
6	R27218	FITTING PLUG	2		
7	R26375	O-RING	1		
8	R39112	FITTING	1		
9	H139448	FITTING	1		
10	R26448	O-RING	1		
11	AH128929	SWITCH	1		

MEMORANDA

3B5

SEPARATOR SHELL

SEPARATOR FRAME
HP6867 -UN-04AUG97



HP6867

3B6

SEPARATOR SHELL

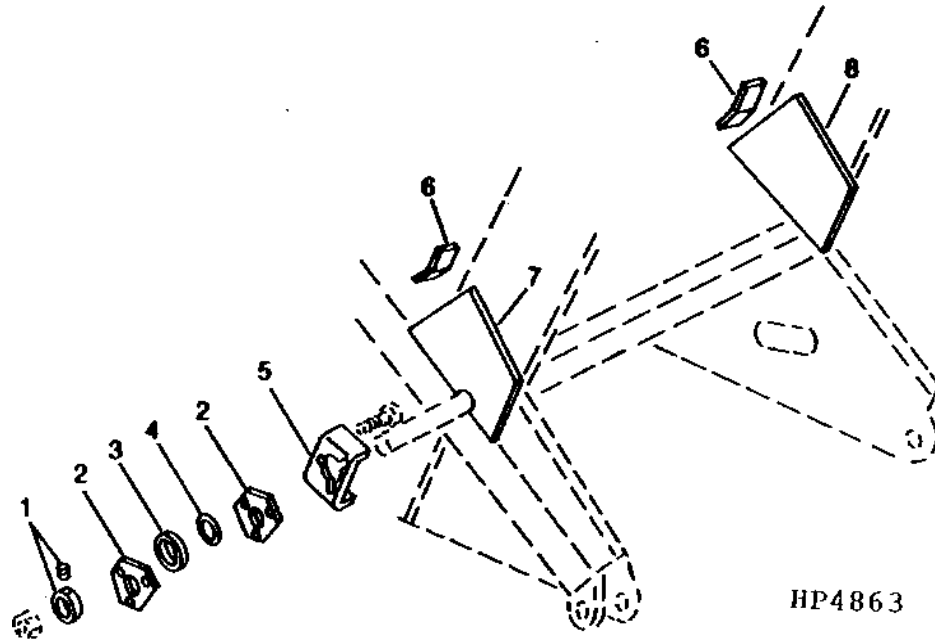
SEPARATOR FRAME- CONTINUED

KEY	PART NO.	PART NAME	QTY	SERIAL NO.	REMARKS
1	19M7831	SCREW	2		
2	H158749	RETAINER	2		
3	FRAME	1		
4	AH132361	CROSSBAR	2		
5	03M7247	BOLT	4	M10 X 90	
	19M7811	SCREW	4	M10 X 90	
6	14M7296	FLANGE NUT	8		
7	19M7865	SCREW	2	M8 X 16	
8	H132539	COVER	1		
9	14M7298	FLANGE NUT	2	M8	
10	H130349	COVER	2		
11	SEAL	2		CUT TO LENGTH FROM AH133091 50 FT ROLL
12	SEAL	2		CUT TO LENGTH FROM AH133091 50 FT ROLL
13	H89544	DOOR	4		TO CHECK CYLINDER TO CONCAVE CLEARANCE
14	24M7178	WASHER	10		10.500 X 30 X 2.500 MM
15	37M7080	SCREW	10		M10 X 30, THRU ENGINE PLATFORM AND INTO FRAME SILL WELD NUT
16	03M7185	BOLT	4	M8 X 25	
17	P47159	CLAMP	4		
18	14M7020	WING NUT	4	M8	
19	H120379	SPACER	4		
20	H132926	PLUG	4		
21	H140866	CLAMP	1		
22	H148000	PLUG	1		KNOCK OUT PLUG (TO CONVERT TO RICE CYLINDER) IF LOST - WELD IN PLACE
23	AH140485	BRACKET	1		L. H.
	AH140484	BRACKET	1		R.H.
24	H144715	SHIELD	1		L. H.
	H144716	SHIELD	1		R.H.
25	H144717	SHIELD	1		L.H.
26	19M7785	SCREW	3	M10 X 25	
27	19M8292	SCREW	3	M10 X 50	
28	37M7089	SCREW	2	M6 X 12	
29	SEAL	1		CUT TO 180 MM FROM AH133091
30	H160265	REINFORCEMENT	2		

3B7

SEPARATOR SHELL

NO. 1 UPRIGHT KIT
 HP4863 -UN-01JAN94

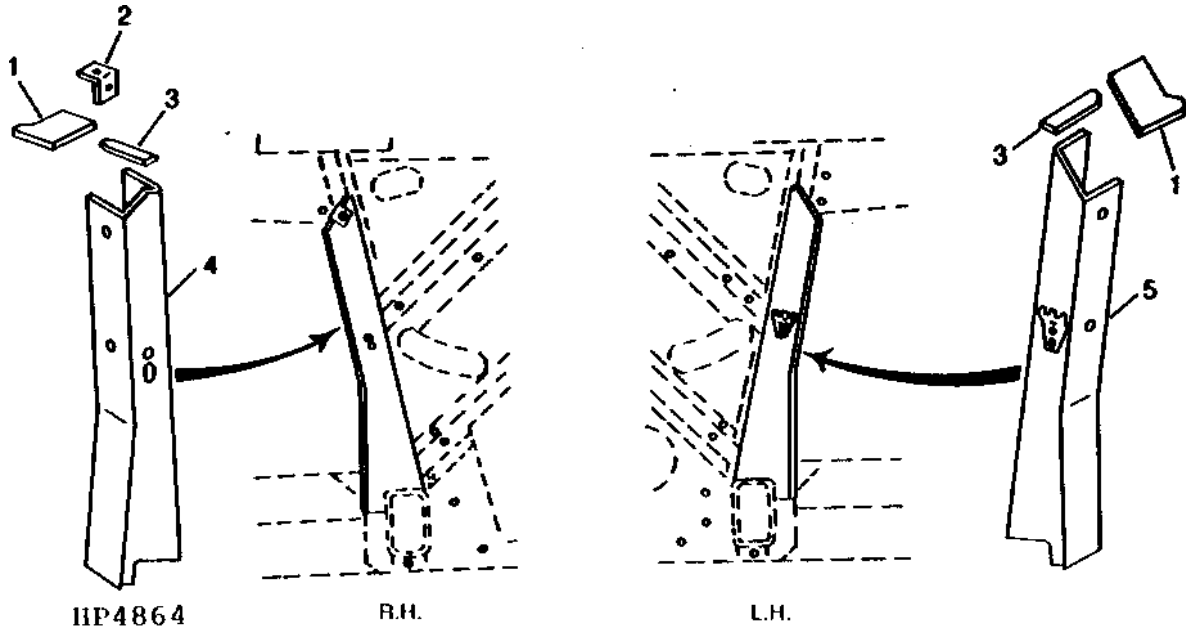


KEY	PART NO.	PART NAME	QTY	SERIAL NO.	REMARKS
1	AH129452	ECCENTRIC LOCKING COLLAR	1		
2	E10018	PRESSED FLANGED HOUSING	2		
3	AH129451	BALL BEARING	1		
4	H102533	SHIM	1		
5	BRACKET	1		
6	ANGLE	2		
7	PLATE	1	R.H.	
8	PLATE	1	L.H.	
..	AH140312	KIT	1		

3B8

SEPARATOR SHELL

NO. 5 UPRIGHT KIT
 HP4864 -UN-01JAN94

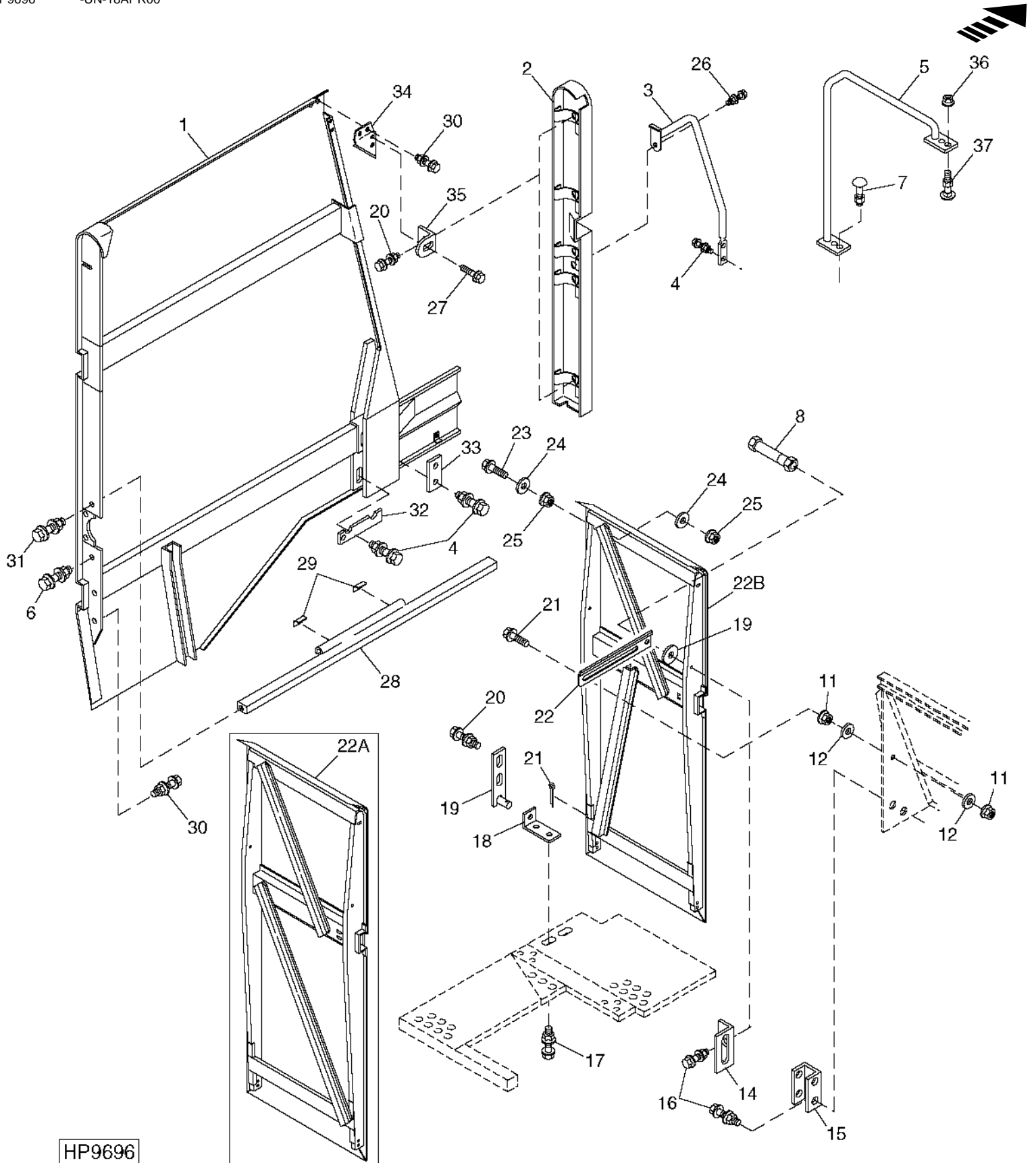


KEY	PART NO.	PART NAME	QTY	SERIAL NO.	REMARKS
1	PLATE	2		
2	H145700	ANGLE	1		
3	H146057	REINFORCEMENT	2		
4	AH139570	REINFORCEMENT	1	R.H.	
5	AH139571	REINFORCEMENT	1	L.H.	
..	AH140427	KIT	1		

3B9

SEPARATOR SHELL

ENGINE ACCESS DOOR, HANDRAILS, AND RADIATOR DOOR
HP9696 -UN-18APR00



HP9696

3B10

SEPARATOR SHELL

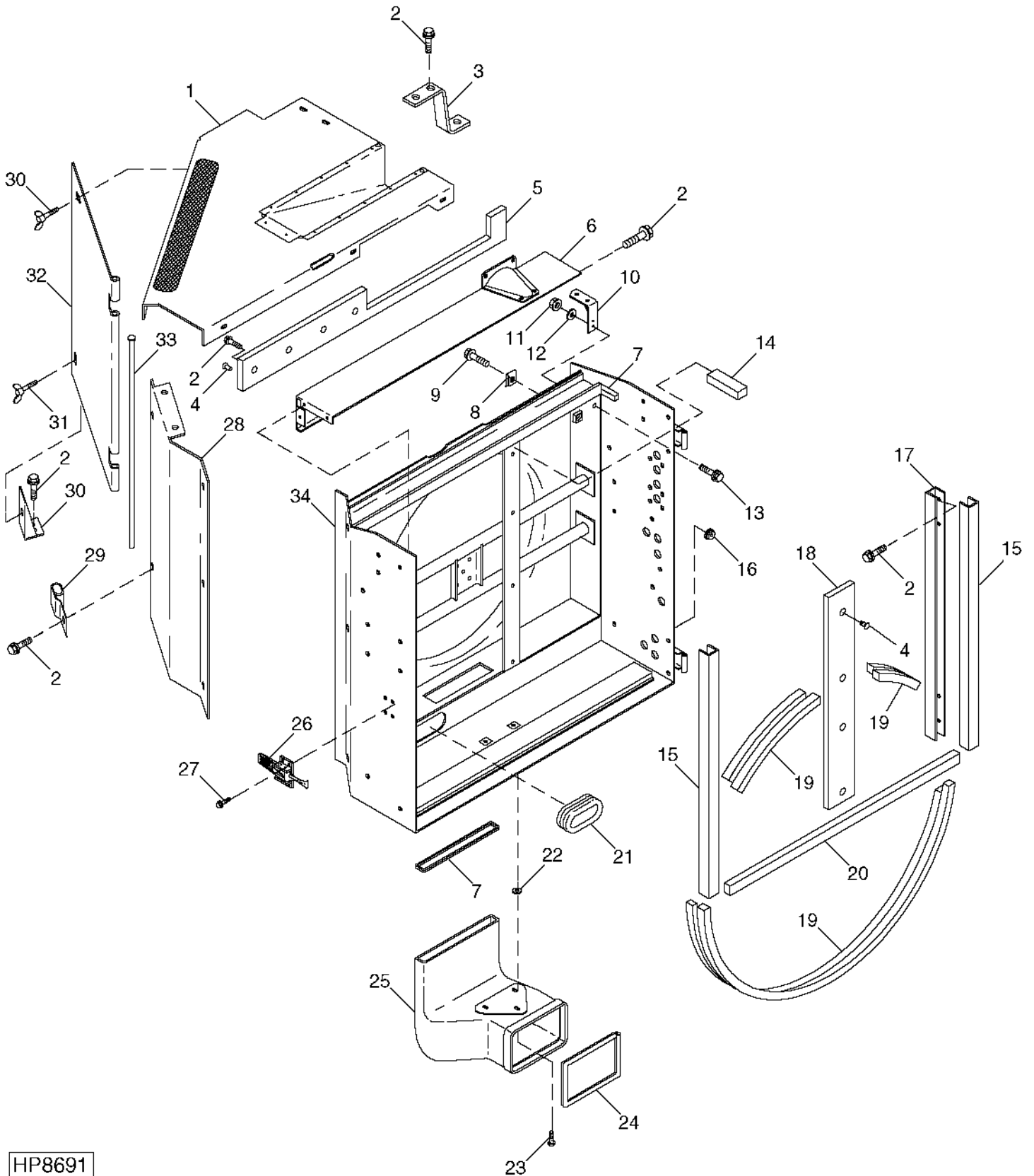
ENGINE ACCESS DOOR, HANDRAILS, AND RADIATOR DOOR - CONTINUED

KEY	PART NO.	PART NAME	QTY	SERIAL NO.	REMARKS
1	AH136163	DOOR	1		
2	AH126015	PANEL	1		
3	AH126016	HANDRAIL	1		
4	19M7785	SCREW	6	M10 X 25	
	14M7296	FLANGE NUT	6	M10	
5	AH125686	HANDRAIL	1		
6	19M7785	SCREW	5	M10 X 25	
7	03M7192	BOLT	2	M10 X 30	
	14M7296	FLANGE NUT	2	M10	
8	53M7003	SCREW	1	M8 X 25	
	E64256	LOCK NUT	1		
9	24M7178	WASHER	1	10.500 X 30 X 2.500 MM	
10	H132511	STOP	1		
11	14M7273	NUT	2	M8	
12	24M7207	WASHER	2	8.400 X 24 X 2 MM	
13	19M8319	SCREW	1	M8 X 50	
14	H134072	ANGLE	1		
15	H134073	STOP	1		
16	19M7866	SCREW	4	M8 X 20	
	14M7298	FLANGE NUT	4	M8	
17	03M7185	BOLT	4	M8 X 25	
	24M7207	WASHER	4	8.400 X 24 X 2 MM	
	14M7298	FLANGE NUT	4	M8	
18	H130246	HINGE	2		
19	AH125575	PLATE	2		
20	03M7184	BOLT	7	M8 X 20	
	14M7298	FLANGE NUT	7	M8	
21	11M7012	COTTER PIN	2	3.200 X 16 MM	
22A	AH133830	DOOR	1	(SUB AH167934)	
22B	AH168934	DOOR	1		
23	H133042	PIN	1		
24	24M7180	WASHER	2	13 X 37 X 3 MM	
25	14M7299	FLANGE NUT	2	M12	
26	19M7785	SCREW	1	M10 X 25	
	24M7101	WASHER	1	11 X 34 X 3 MM	
	14M7296	FLANGE NUT	1	M10	
27	19M7866	SCREW	3	M8 X 20	
28	H130967	REINFORCEMENT	1		
29	Z39238	FOAM PAD	2		
30	19M7865	SCREW	4	M8 X 16	
	14M7298	FLANGE NUT	4	M8	
31	19M7784	SCREW	2	M10 X 20	
	14M7296	FLANGE NUT	2	M10	
32	H132793	STRAP	AR		
33	H132992	PLATE	2		
34	H134403	REINFORCEMENT	1		
35	H130968	ANGLE	3		
36	14M7296	FLANGE NUT	2	M10	
37	03M7307	BOLT	2	M10 X 25	

3B11

SEPARATOR SHELL

RADIATOR SHELL AND SEALS
HP8691 -UN-07JUL99



HP8691

3B12

SEPARATOR SHELL

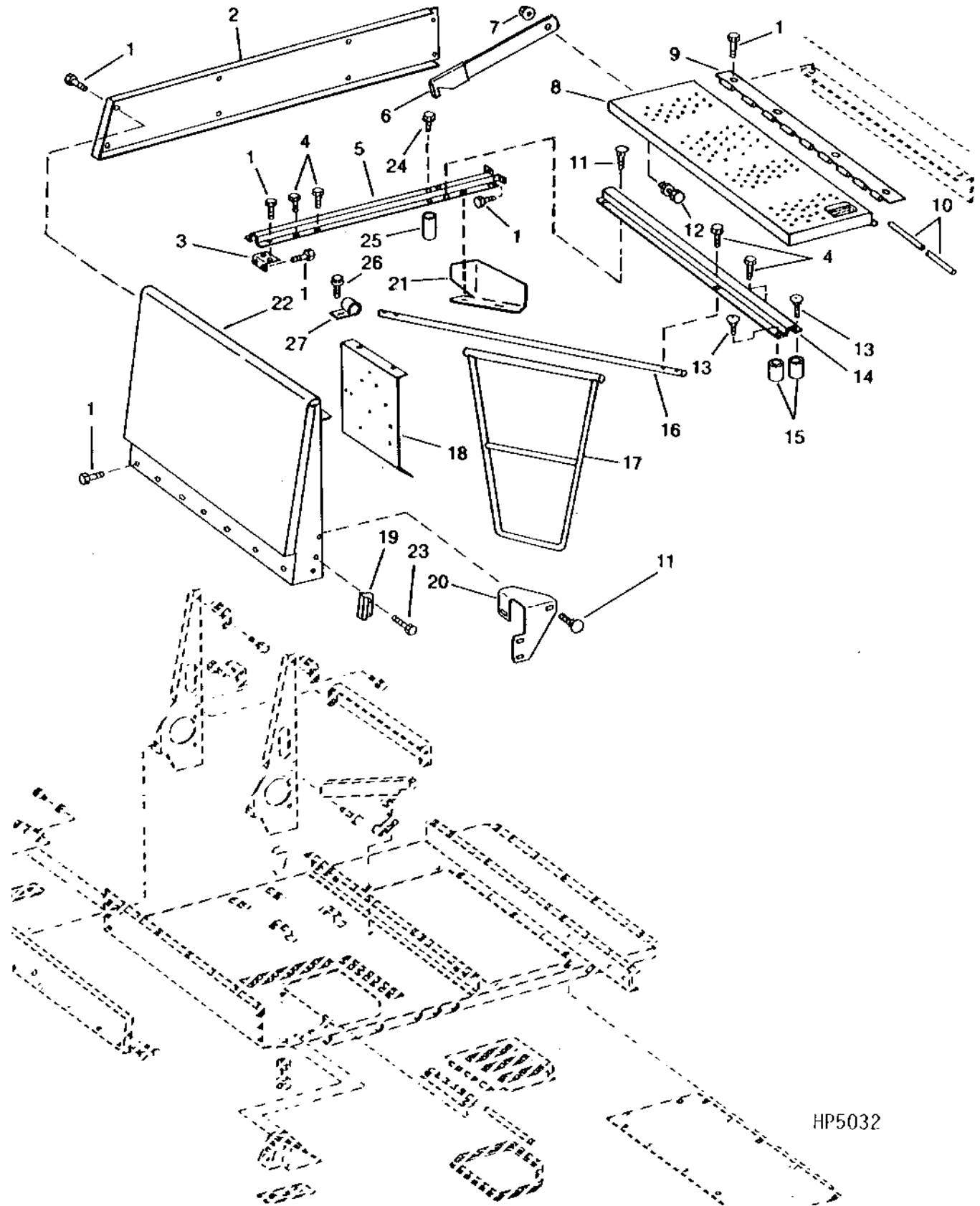
RADIATOR SHELL AND SEALS - CONTINUED

KEY	PART NO.	PART NAME	QTY	SERIAL NO.	REMARKS
1	AH151333	SHEET	1		
	AH156349	SHEET	1		
2	19M7865	SCREW	1	M8 X 16	
	24M7207	WASHER	2		
3	H160360	BRACKET	1	(SUB FOR H154362)	
4	H116740	PLUG	9		
5	H154195	SEAL	1		
6	AH130515	CHANNEL	1		
	AH139255	CHANNEL	1		
	AH139384	CHANNEL	1		USE WITH AH128257 RADIATOR
7	SEAL	4		(CUT FROM H88769) CUT TO LENGTH; TWO PIECES AT 1440 MM, ONE PIECE AT 135MM AND ONE PIECE AT 780 MM
8	AH96317	CLIP	1		
9	19M7865	SCREW	1	M8 X 16	
10	H162138	BRACKET	1		
11	14M7298	FLANGE NUT	2	M8	
12	24M7207	WASHER	2	8.400 X 24 X 2 MM	
13	19M7865	SCREW	2	M8 X 16	
14	H88769	ISOLATOR	1		
15	ISOLATOR	2		
16	R62356	GROMMET	1		
	R66718	GROMMET	1		
	R71351	GROMMET	1		
17	H146260	CHANNEL	1		
18	H134520	SEAL	1		
19	AH140967	ACOUSTICAL UPHOLSTERY	1		
20	AH140967	ACOUSTICAL UPHOLSTERY	2		
21	H128502	SEAL	1		
22	24M7207	WASHER	3	8.400 X 24 X 2 MM	
23	19M7864	SCREW	3	M8 X 12	
24	AH131965	ISOLATOR	1		
25	H143465	AIR DUCT	1		
26	AH87272	LATCH	1		
27	37M7060	SCREW	AR	M4 X 10	
28	H134527	SHEET	1		
29	H134913	HINGE	2		
30	AH131301	BRACKET	1		
31	21M7243	WING SCREW	2	M8 X 16	
32	H134915	DOOR	1		
33	H134917	PIN	1	0.315" X 30.512"	
34	AH156168	FRAME	1		

3B13

SEPARATOR SHELL

ENGINE COMPARTMENT
HP5032 -UN-01JAN94



HP5032

3B14

SEPARATOR SHELL

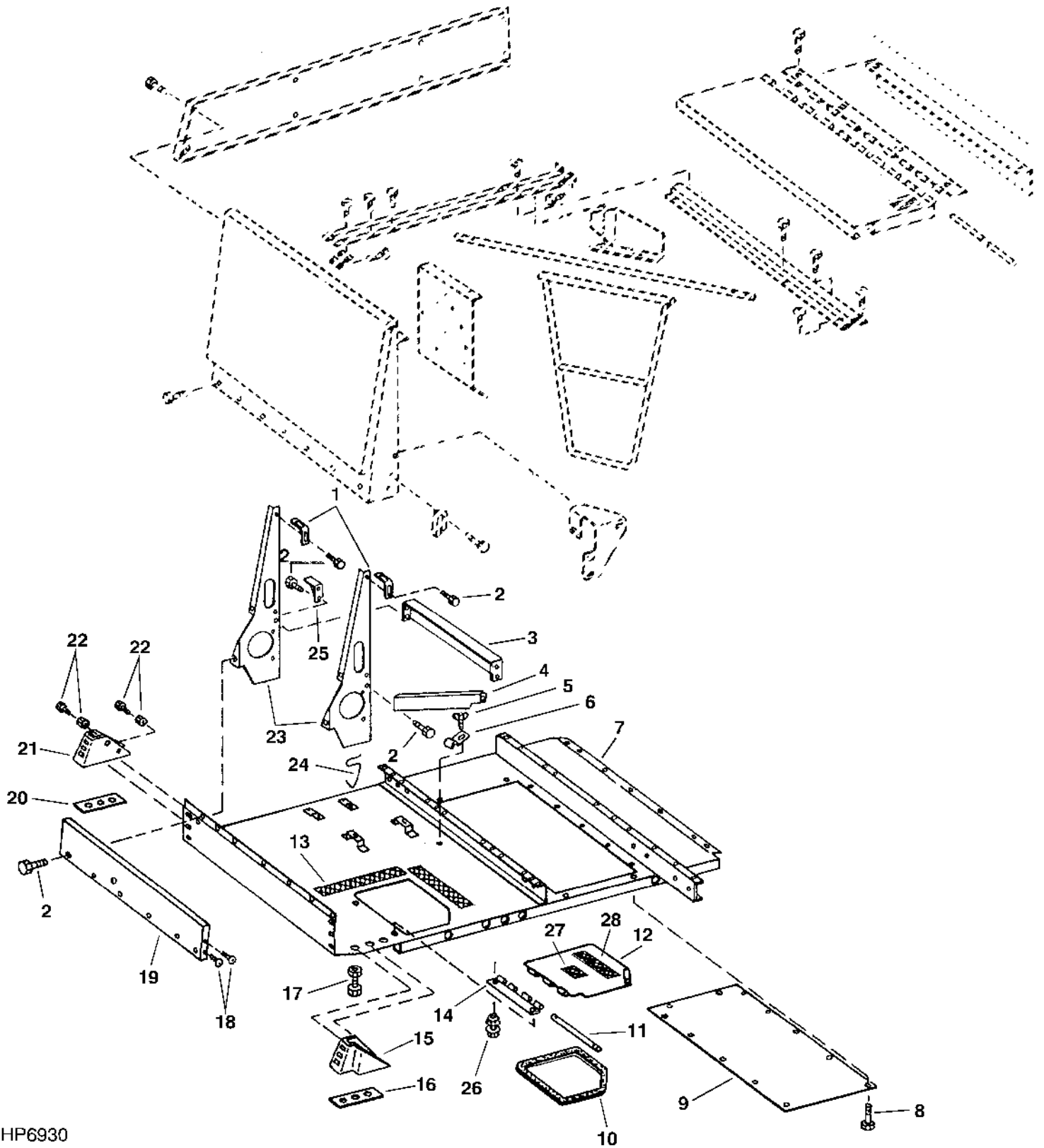
ENGINE COMPARTMENT - CONTINUED

KEY	PART NO.	PART NAME	QTY	SERIAL NO.	REMARKS
1	19M7865	SCREW	110	M8 X 16	
	14M7298	FLANGE NUT	110	M8	
2	H134106	PANEL	1	L.H.	
3	H128744	ANGLE	1		
4	19M8290	SCREW	4	M6 X 35	
	14M7397	LOCK NUT	4	M6	
5	AH162073	CHANNEL	1	(SUB FOR AH129195, AH158255)	
6	AH136616	BRACE	1		
7	14M7396	LOCK NUT	1	M8	
8	AH136455	DOOR	1		
9	H134738	HINGE	1		
10	H134930	PIN	1	MAKE FROM H99599	
11	03M7183	BOLT	1	M8 X 16	
	14M7298	FLANGE NUT	1	M8	
12	19M7868	SCREW	1	M8 X 30	
	14M7273	NUT	1	M8	
13	37M7102	SCREW	2	M8 X 40	
14	AH152323	CHANNEL	1	REAR	
15	H141836	BUSHING	2		
16	H135147	TUBE	1		
17	AH129228	LADDER	1		
18	AH130497	PLATE	1		
19	H134073	STOP	1		
20	H137267	REINFORCEMENT	1	REAR WALL	
21	H135610	DEFLECTOR	1		
22	AH136046	PANEL	1	UPPER REAR	
23	19M7866	SCREW	1	M8 X 20	
	14M7298	FLANGE NUT	1	M8	
24	19M8318	SCREW	1	M8 X 45	
25	28H1633	BUSHING	1		
26	19M7865	SCREW	1	M8 X 16	
27	H136577	CLAMP	1		

3B15

SEPARATOR SHELL

ENGINE COMPARTMENT
HP6930 -UN-29AUG97



HP6930

3B16

SEPARATOR SHELL

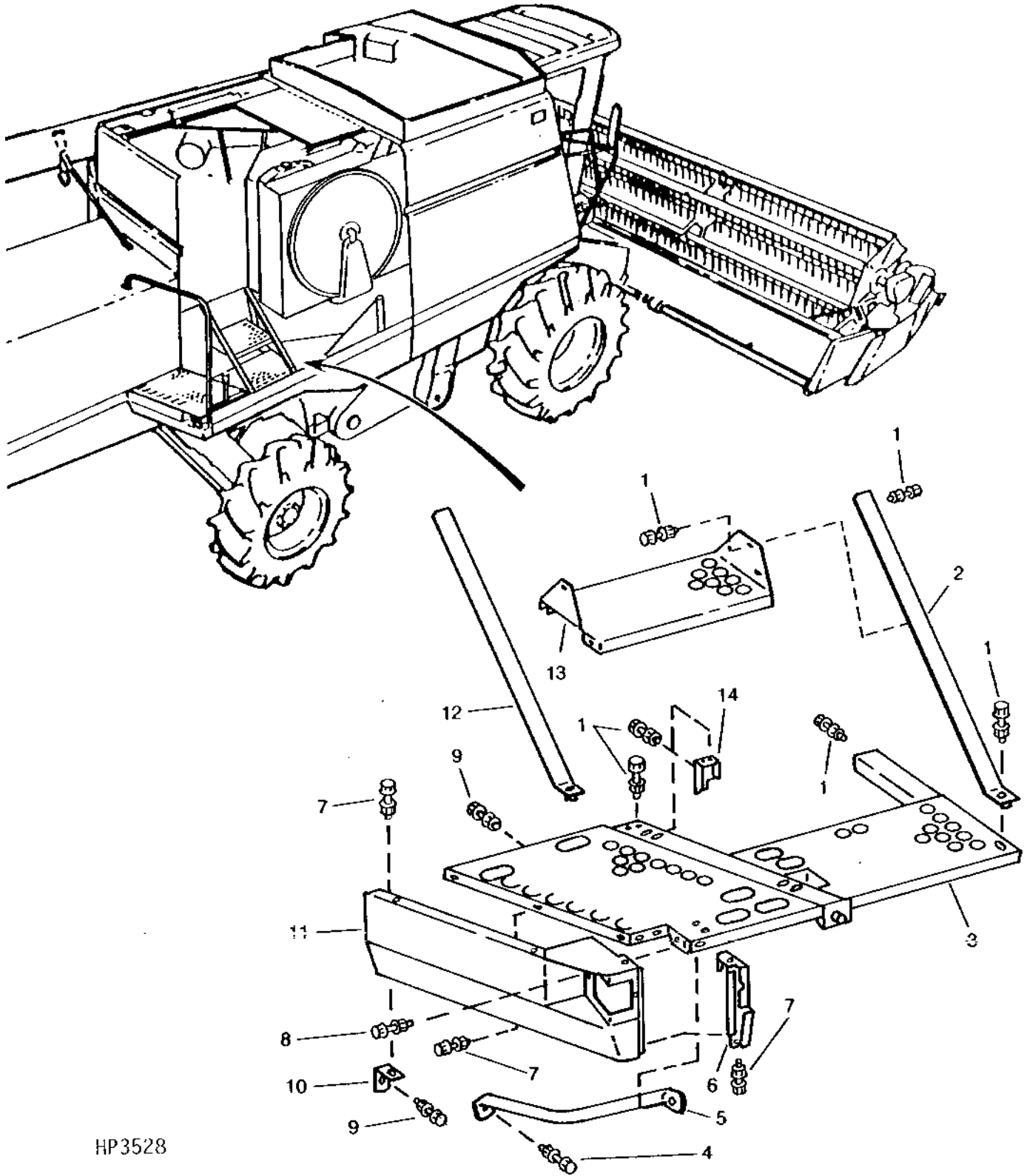
ENGINE COMPARTMENT - CONTINUED

KEY	PART NO.	PART NAME	QTY	SERIAL NO.	REMARKS
1	H131526	ANGLE	2		
2	19M7865	SCREW	7		M8 X 16
	14M7298	FLANGE NUT	7		M8
	14M7298	FLANGE NUT	2		M8
3	H134102	CHANNEL	1		
4	H134108	GUSSET	1		
5	21M7243	WING SCREW	1		M8 X 16
6	H135148	HALF CLAMP	1		
7	AH164364	FRAME	1		(SUB FOR AH154875)
8	37M7058	SCREW	16		M8 X 20
9	H150317	SHEET	1		
10	AH122244	ISOLATOR	1		
11	H130057	PIN	1		
12	AH130506	DOOR	1		
13	H131743	MAT	2		
14	H134506	HINGE	1		
15	H137261	SUPPORT	1	-675458	(SUB H165585) R.H.
	H165585	SUPPORT	1	675459-	R.H.
16	H135393	STRAP	1		
17	19M7805	SCREW	4		M10 X 45
	14M7296	FLANGE NUT	4		M10
18	03M7183	BOLT	2		
19	AH136047	PANEL	1		LOWER REAR
20	H135392	STRAP	1		
21	H140225	SUPPORT	1	-675458	(SUB H165587) L.H.
	H165587	SUPPORT	1	675459-	L.H.
22	19M7866	SCREW	2		
	14M7298	FLANGE NUT	2		
23	H134107	GUSSET	2		
24	H135245	HOOK	1		
25	H134105	GUSSET	1		
26	19M7867	SCREW	2		M8 X 25
	14M7298	FLANGE NUT	2		M8
27	H136015	MAT	1		
28	H136014	MAT	1		

3B17

SEPARATOR SHELL

ENGINE ACCESS PLATFORM AND STEP
HP3528 -UN-01JAN94



HP3528

3B18

SEPARATOR SHELL

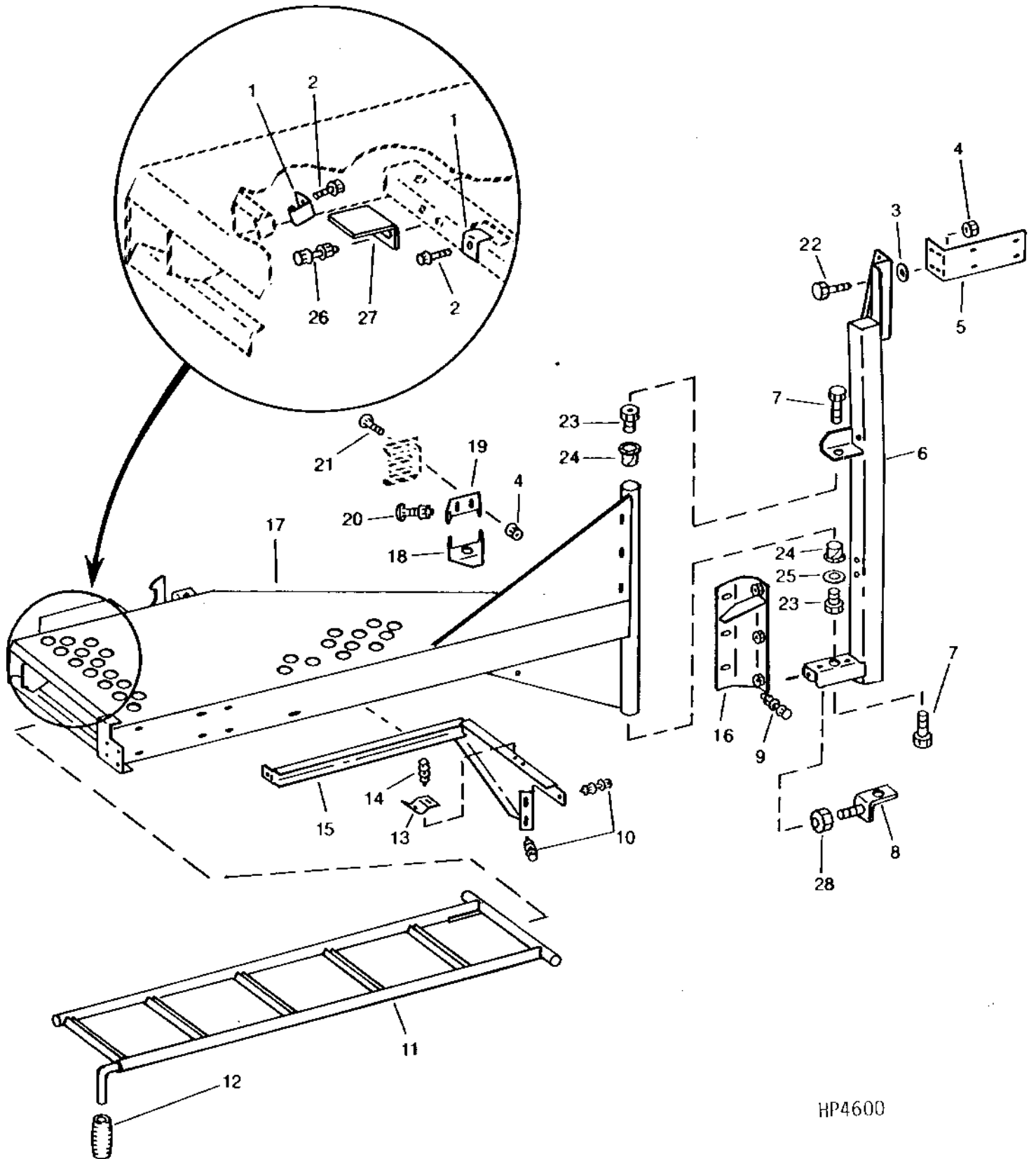
ENGINE ACCESS PLATFORM AND STEP - CONTINUED

KEY	PART NO.	PART NAME	QTY	SERIAL NO.	REMARKS
1	19M7784	SCREW	16	M10 X 20	
	14M7296	FLANGE NUT	16	M10	
2	H130424	ANGLE	1		
3	AH156186	PLATFORM	1		
4	19M7785	SCREW	1	M10 X 25	
	14M7296	FLANGE NUT	1	M10	
5	H130432	BRACE	1		
6	H130431	PANEL	1		
7	19M7865	SCREW	7	M8 X 16	
	14M7298	FLANGE NUT	7	M8	
8	03M7185	BOLT	1	M8 X 25	
	14M7298	FLANGE NUT	1	M8	
9	19M7866	SCREW	4	M8 X 20	
	14M7298	FLANGE NUT	4	M8	
10	H131526	ANGLE	1		
11	AH125685	PANEL	1		
12	H130425	ANGLE	1		
13	AH127837	STEP	1		
14	H134081	SUPPORT	1		

3B19

SEPARATOR SHELL

REAR LADDER AND LANDING
HP4600 -UN-01JAN94



HP4600

3B20

SEPARATOR SHELL

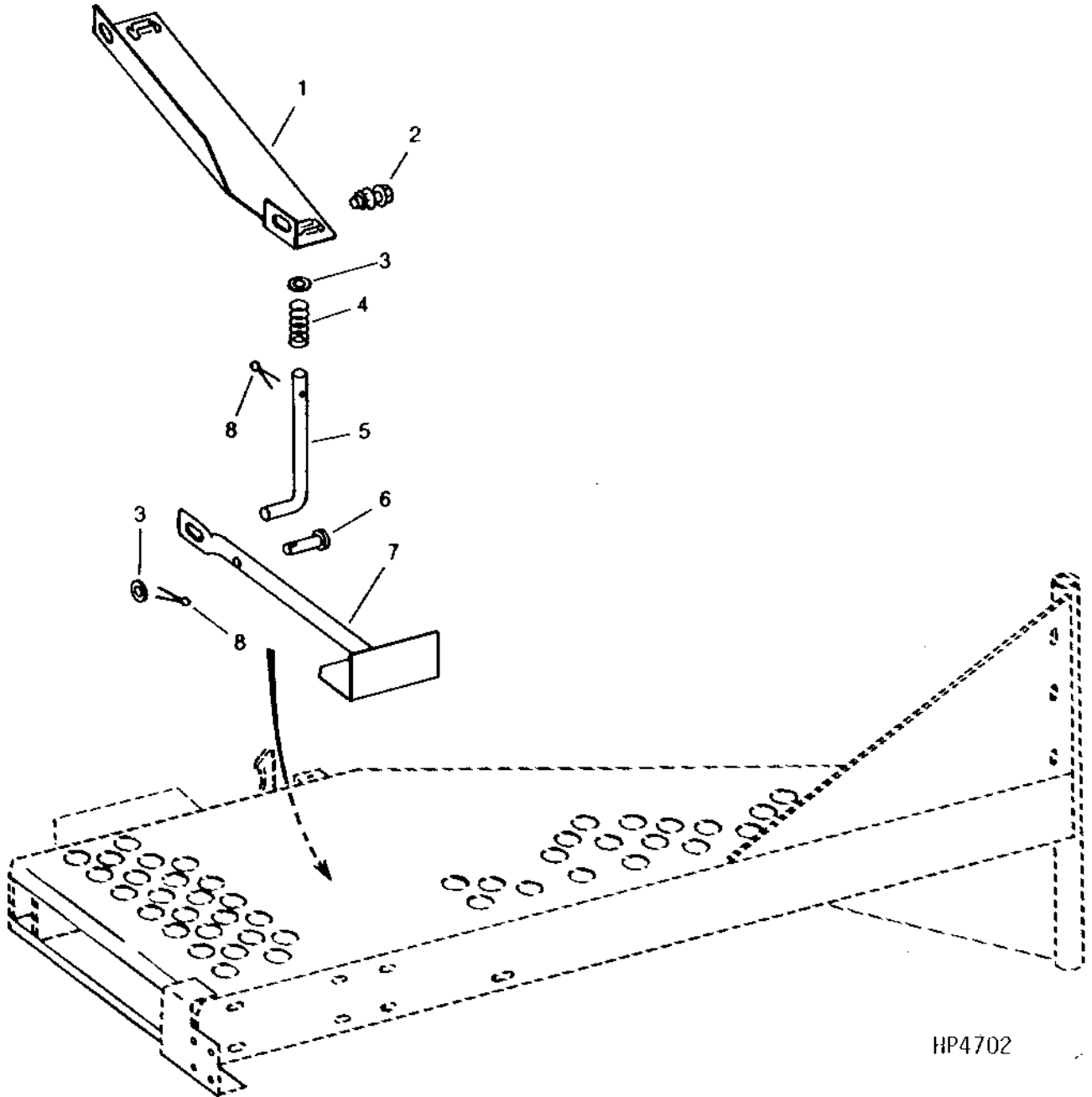
REAR LADDER AND LANDING - CONTINUED

KEY	PART NO.	PART NAME	QTY	SERIAL NO.	REMARKS
1	H130555	STRIP	4		
2	37M7060	SCREW	4	M4 X 10	
3	H141123	NUT	5		
4	14M7296	FLANGE NUT	7	M10	
5	H129885	ANGLE	1		
6	AH137254	SUPPORT	1		
7	19M7851	SCREW	2	M20 X 60	
8	AH120216	ADJUSTER	1		
9	19M7784	SCREW	3	M10 X 20	
	14M7296	FLANGE NUT	3	M10	
10	19M7865	SCREW	4	M8 X 16	
	14M7298	FLANGE NUT	4	M8	
11	AH139782	LADDER	1		
12	C3203E	GRIP	1		
13	H120082	LATCH	1		
14	19M7774	SCREW	2	M6 X 12	
	14M7303	FLANGE NUT	2	M6	
15	AH130193	CHANNEL	1		
16	AH125788	BRACKET	1		
17	AH135298	PLATFORM	1		
18	H142035	CATCH	1		
19	H133152	BRACKET	1		
20	03M7190	BOLT	2	M10 X 20	
	24M7178	WASHER	2	10.500 X 30 X 2.500 MM	
	14M7296	FLANGE NUT	2	M10	
21	03M7190	BOLT	2	M10 X 20	
22	19M7785	SCREW	5	M10 X 25	
23	H119411	PIN	2		
24	T40867	BUSHING	2		
25	Z39386	WASHER	1		
26	19M7775	SCREW	2	M6 X 16	
	14M7303	FLANGE NUT	2	M6	
27	H129004	ANGLE	1		
28	A31867	LOCK NUT	1		

3B21

SEPARATOR SHELL

REAR LADDER LANDING LATCH ARM
HP4702 -UN-01JAN94



HP4702

3B22

SEPARATOR SHELL

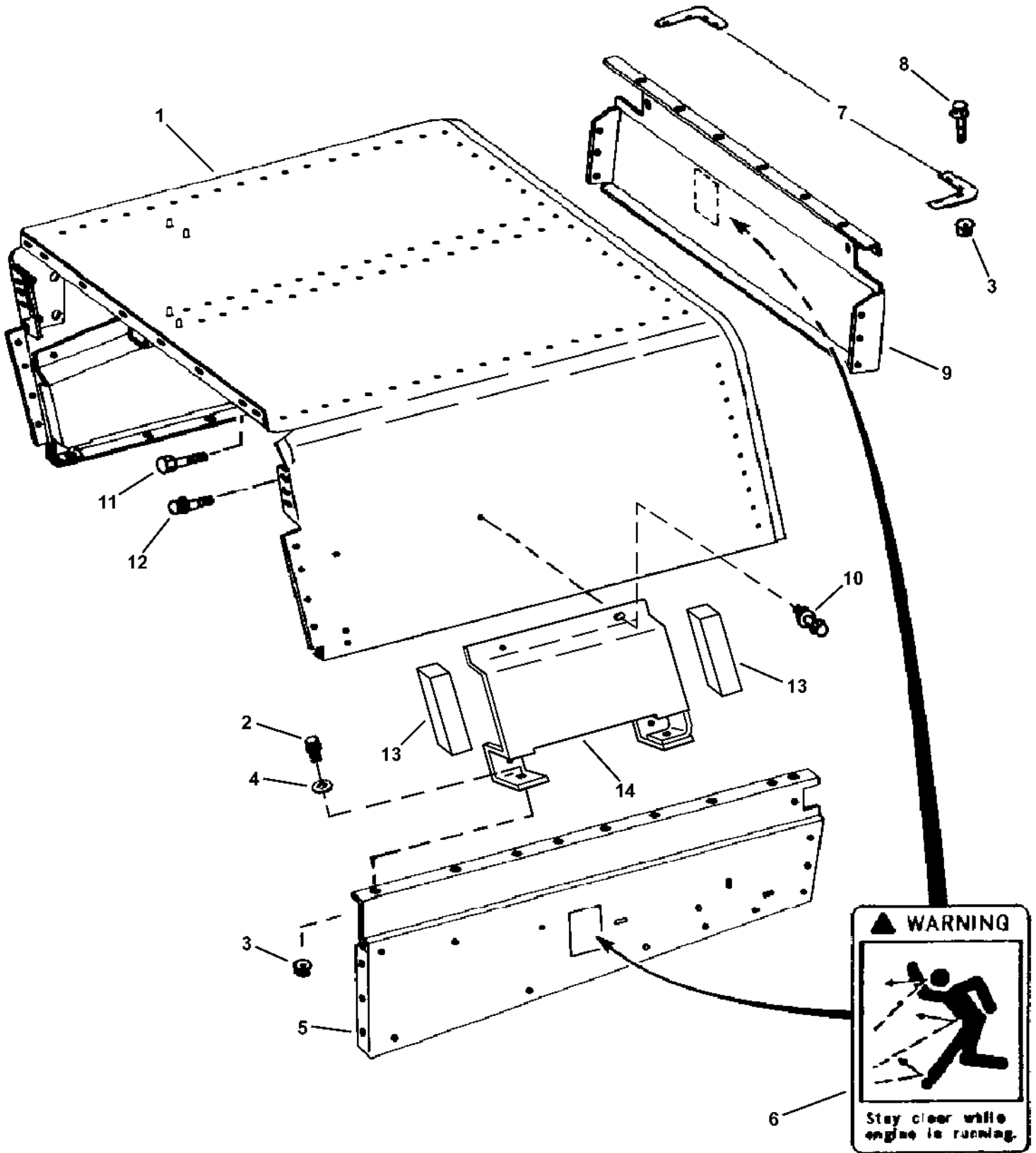
REAR LADDER LANDING LATCH ARM - CONTINUED

KEY	PART NO.	PART NAME	QTY	SERIAL NO.	REMARKS
1	H140881	CATCH	1		
2	19M7784	SCREW	2	M10 X 20	
	14M7296	FLANGE NUT	2	M10	
3	24H1341	WASHER	2	17/32" X 15/16" X 0.060"	
4	Y3082BN	SPRING	1		
5	H140872	PIN	1		
6	45M7088	PIN	1	10 X 55 MM	
7	AH135300	ARM	1		
8	11M7059	COTTER PIN	2	3.200 X 20 MM	

3B23

SEPARATOR SHELL

REAR HOOD
HP7467 -UN-14APR98



HP7467

3B24

SEPARATOR SHELL

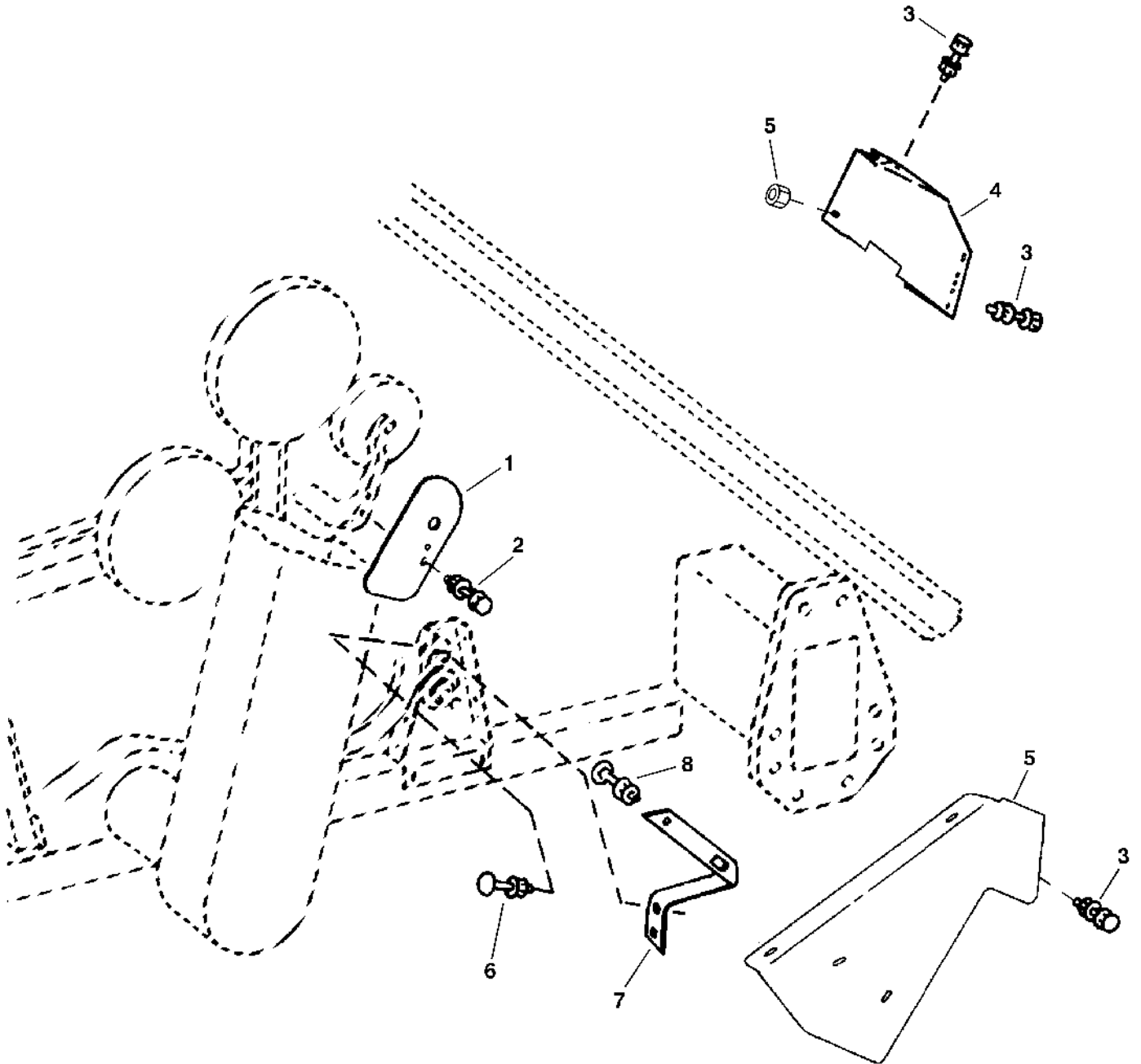
REAR HOOD - CONTINUED

KEY	PART NO.	PART NAME	QTY	SERIAL NO.	REMARKS
1	AH158264	HOOD	1		
	AH161521	HOOD	1		(SUB AH161521) (REQUIRES (2) 14M7296)
2	19M7866	SCREW	AR		M8 X 20
3	14M7298	FLANGE NUT	AR		M8
4	24M7207	WASHER	4		8.400 X 24 X 2 MM
5	AH135479	SHEET	1		
	AH135478	SHEET	1		
6	H149096	LABEL	2		"PROJECTILE WARNING" ON R.H. REAR HOOD
7	H150749	REINFORCEMENT	1		
8	19M7865	SCREW	2		
9	AH135482	SHEET	1		
	H141088	DEFLECTOR	1		(CORN AND GRAIN CHOPPER)
10	21M7089	SCREW	12		M8 X 20
	14M7298	FLANGE NUT	14		M8
11	19M7865	SCREW	AR		M8 X 16
12	H171977	SCREW	6		M10 X 55
13	AH125793	WEATHERSTRIP	4		
14	AH158265	PANEL	1		R.H.
	AH158266	PANEL	1		L.H.

3C1

SEPARATOR SHELL

AUGER DRIVE SHIELDS (R.H. SIDE)
HP6845 -UN-08SEP97



HP6845

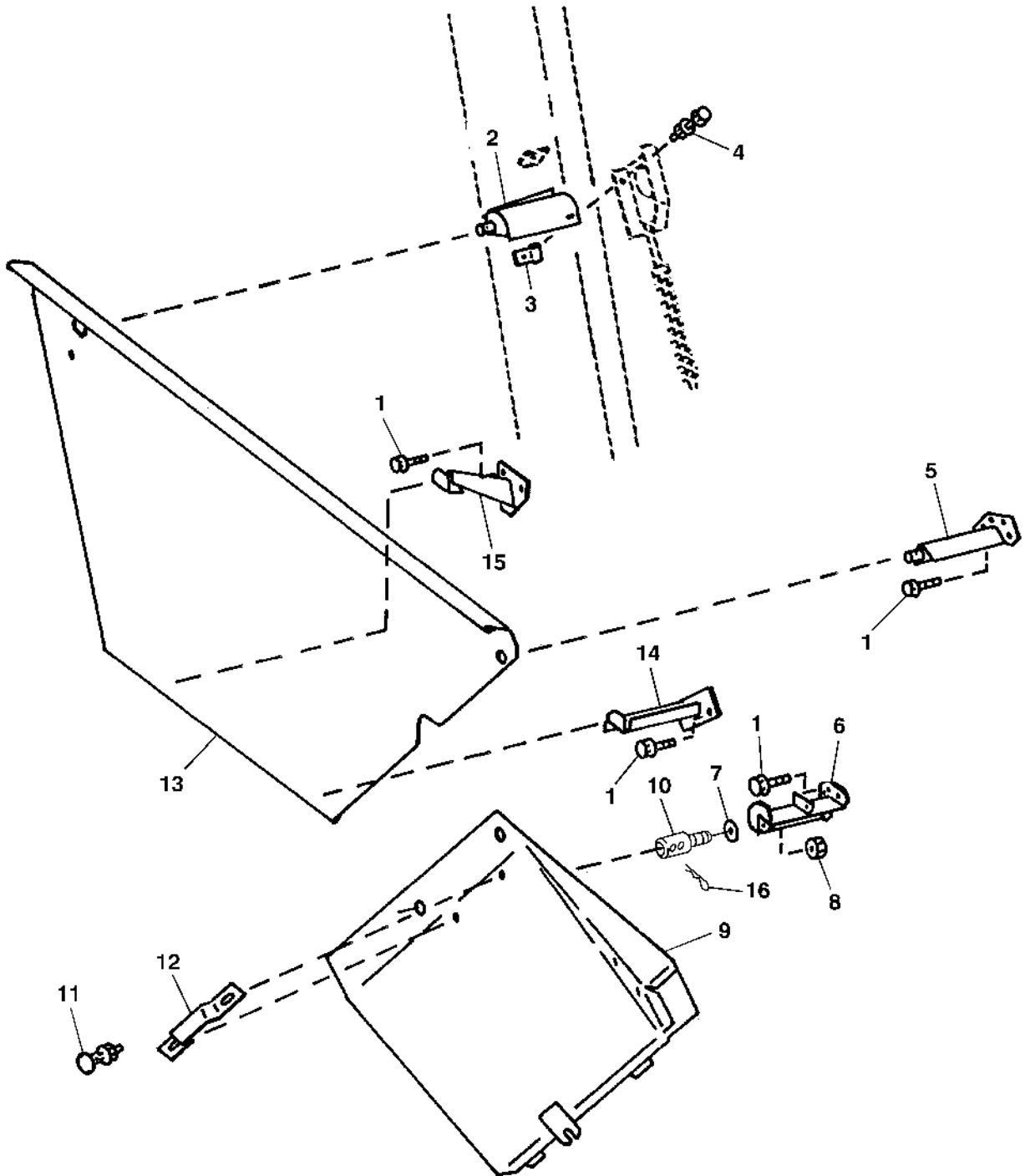
AUGER DRIVE SHIELDS (R.H. SIDE) - CONTINUED

KEY	PART NO.	PART NAME	QTY	SERIAL NO.	REMARKS
1	H141772	SHIELD	1		
2	19M3131	CAP SCREW	2	M8 X 25	
	14M7298	FLANGE NUT	2	M8	
3	19M7865	SCREW	3	M8 X 16	
	14M7298	FLANGE NUT	3	M8	
4	AH146783	SHIELD	1	AUGER DRIVE	
5	H141770	SHIELD	1		
6	03M7184	BOLT	2	M8 X 20	
	14M7298	FLANGE NUT	2	M8	
7	H146756	STRAP	1	SHOE DRIVE	
8	03M7183	BOLT	2	M8 X 16	
	14M7298	FLANGE NUT	2	M8	
..	H141771	SUPPORT	1		

3C3

SEPARATOR SHELL

MUD AND FAN DRIVE SHIELDS (L.H. SIDE)
HP7228 -UN-08JAN98



HP7228

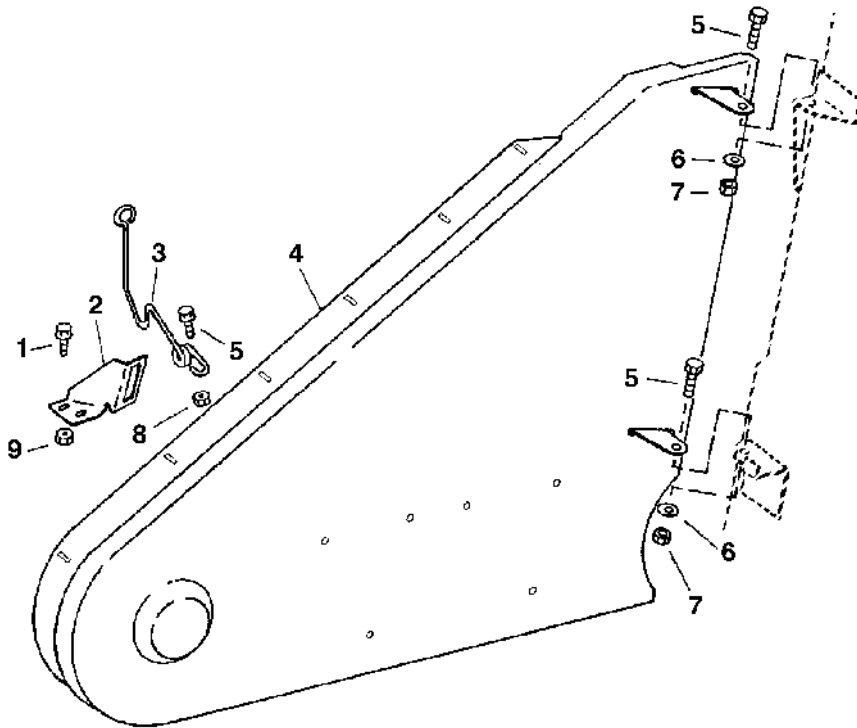
3C4

SEPARATOR SHELL

MUD AND FAN DRIVE SHIELDS (L.H. SIDE) - CONTINUED

KEY	PART NO.	PART NAME	QTY	SERIAL NO.	REMARKS
1	19M7865	SCREW	14		
2	AH130941	BRACKET	1		
3	R46414	CLAMP	1		
4	19M7865	SCREW	2		M8 X 16
	14M7298	FLANGE NUT	2		M8
5	AH130945	BRACKET	1		
6	AH130944	BRACKET	1		
7	24M7178	WASHER	1		10.500 X 30 X 2.500 MM
8	14M7296	FLANGE NUT	1		M10
9	AH125820	SHIELD	1		CENTER
10	H154757	STUD	1		
11	03M7183	BOLT	2		M8 X 16
	14M7298	FLANGE NUT	2		M8
12	H85184	HANDLE	1		
13	H140300	SHIELD	1		
14	AH128914	BRACKET	1		
15	AH130197	BRACKET	1		
16	A15147	SPRING LOCKING PIN	1		
..	BH80037	COMPLETE GOODS/SHIP. BUNDLE	1		MUD AND FAN DRIVE SHIELD (L.H. SIDE)

DRIVE SHIELD (R.H. REAR)
HP6847 -UN-12SEP97



HP6847

3C6

SEPARATOR SHELL

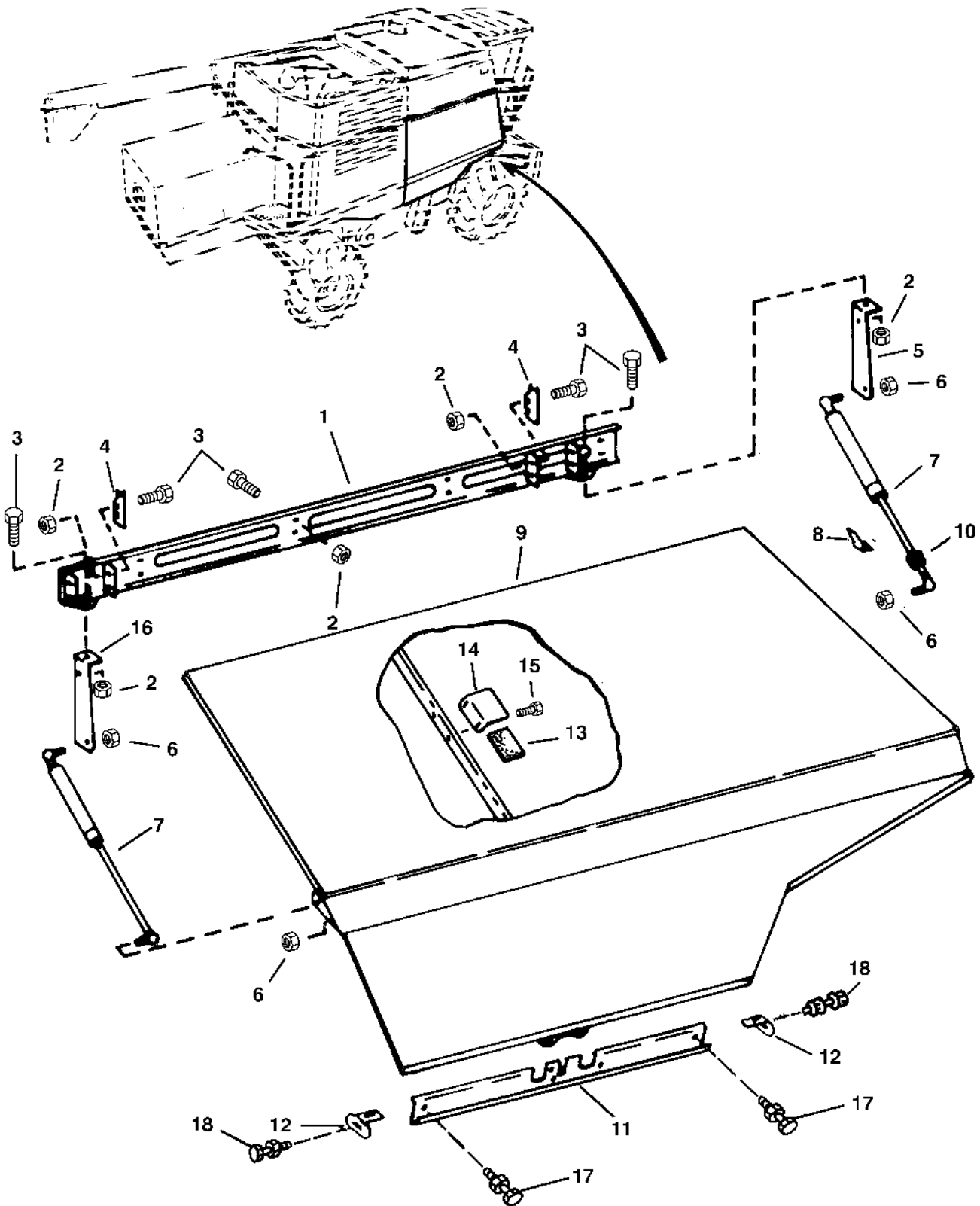
DRIVE SHIELD (R.H. REAR) - CONTINUED

KEY	PART NO.	PART NAME	QTY	SERIAL NO.	REMARKS
1	19M7866	SCREW	2		
2	H141813	BRACKET	1		
3	H130930	SPRING	1		
4	AH146361	SHIELD	1		
5	19M7785	SCREW	3	M10 X 25	
6	24M7028	WASHER	2	10.500 X 20 X 2 MM	
7	14M7400	LOCK NUT	1	M10	
8	14M7296	FLANGE NUT	1	M10	
9	19M7298	CAP SCREW	2	M8 X 35	
..	H147137	SHIELD	1		RUBBER SHIELD (FOR USE IN CORN) ALSO REQUIRES (7) 19M7775, (7) 24M7207 AND (7) 14M7303

3C7

SEPARATOR SHELL

R.H. SERVICE ACCESS SHIELD
HP6848 -UN-29AUG97



HP6848

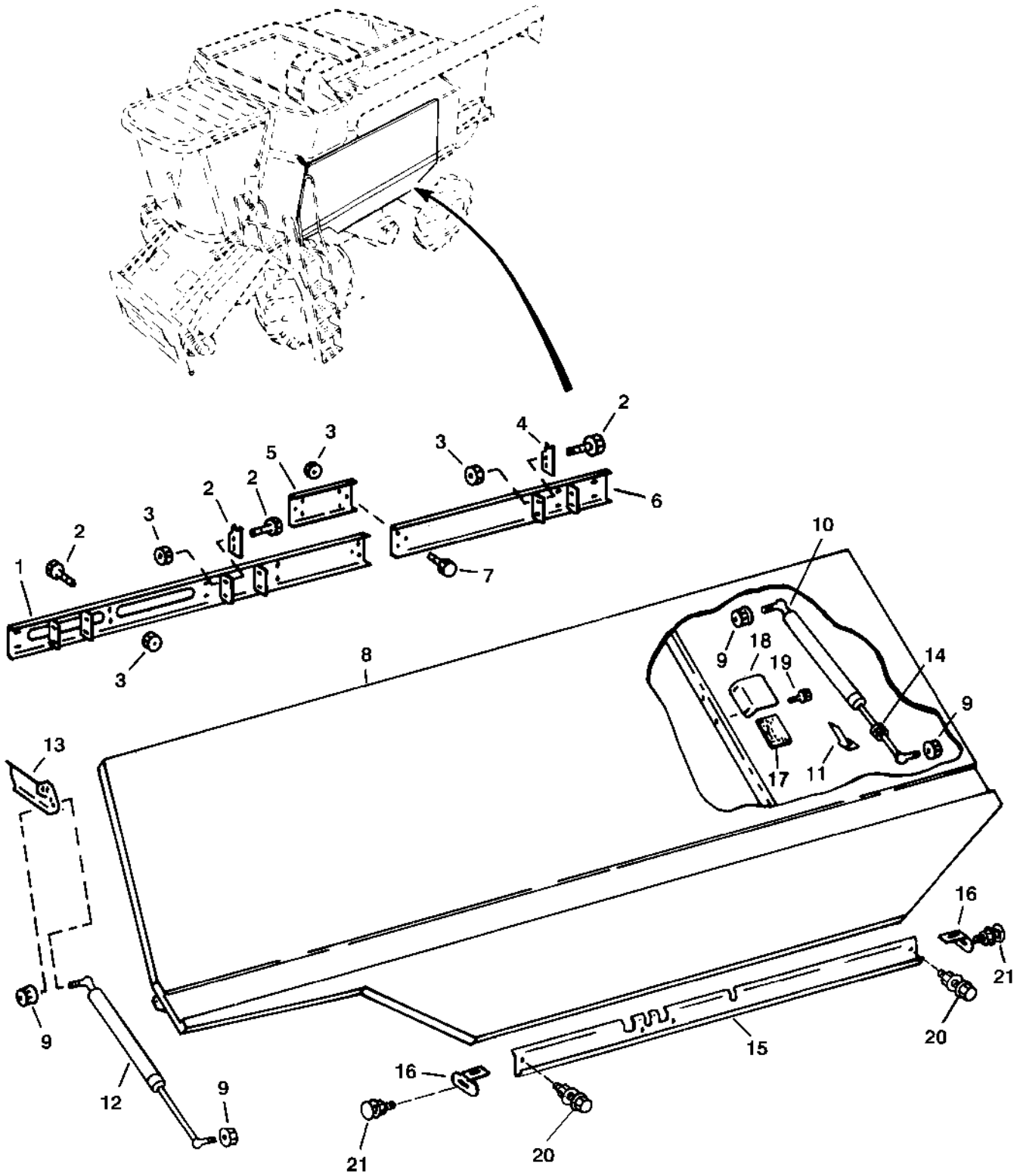
R.H. SERVICE ACCESS SHIELD- CONTINUED

KEY	PART NO.	PART NAME	QTY	SERIAL NO.	REMARKS
1	AH166713	CHANNEL	1	(SUB FOR AH125306)	
2	14M7296	FLANGE NUT	10	M10	
3	19M7784	SCREW	10	M10 X 20	
4	H125537	PLATE	2		
5	H139056	BRACKET	1		
6	14M7298	FLANGE NUT	4	M8	
7	AH128596	GAS OPERATED CYLINDER	2		
8	H135965	STOP	1		
9	AH151894	DOOR	1	R.H. FRONT	
10	M68701	GROMMET	1		
11	H152048	DEFLECTOR	1		
12	H132822	ANGLE	2		
13	H143453	FOAM PAD	2		
14	H143454	BRACKET	2		
15	37M7083	SCREW	4	M8 X 12	
16	H129833	BRACKET	1		
17	19M7865	SCREW	2	M8 X 16	
	14M7298	FLANGE NUT	2	M8	
18	03M7183	BOLT	2	M8 X 16	
	14M7298	FLANGE NUT	2	M8	

3C9

SEPARATOR SHELL

L.H. SERVICE ACCESS SHIELD
HP6849 -UN-12SEP97



HP6849

3C10

SEPARATOR SHELL

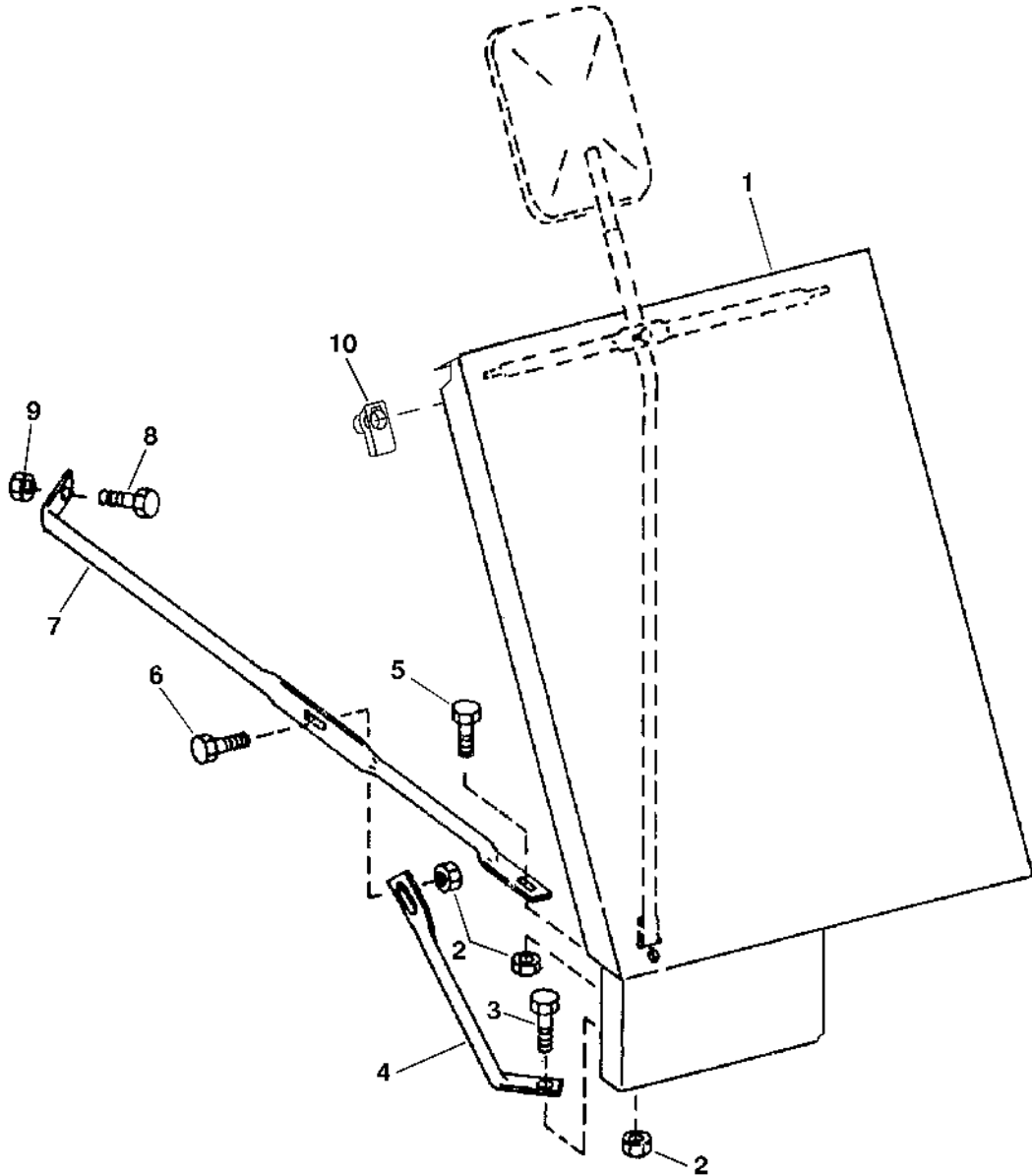
L.H. SERVICE ACCESS SHIELD- CONTINUED

KEY	PART NO.	PART NAME	QTY	SERIAL NO.	REMARKS
1	AH166714	CHANNEL	1		(SUB FOR AH125478)
2	19M7785	SCREW	12		M10 X 25
3	14M7296	FLANGE NUT	18		M10
4	H125537	PLATE	2		
5	H132008	CHANNEL	1		
6	AH127275	CHANNEL	1		
7	19M7784	SCREW	6		M10 X 20
8	AH127704	DOOR	1		
9	14M7298	FLANGE NUT	4		M8
10	AH128598	GAS OPERATED CYLINDER	1		REAR
11	H135965	STOP	1		
12	AH128597	GAS OPERATED CYLINDER	1		FRONT
13	H127677	BRACKET	1		
14	M68701	GROMMET	1		
15	H152047	DEFLECTOR	1		
16	H132822	ANGLE	2		
17	H143453	FOAM PAD	3		
18	H143454	BRACKET	3		
19	37M7083	SCREW	6		M8 X 12
20	19M7865	SCREW	2		M8 X 16
	14M7298	FLANGE NUT	2		M8
21	03M7183	BOLT	2		M8 X 16
	14M7298	FLANGE NUT	2		M8

3C11

SEPARATOR SHELL

FRONT CORNER SHEET, RIGHT HAND
HP7134 -UN-09OCT97



HP7134

3C12

SEPARATOR SHELL

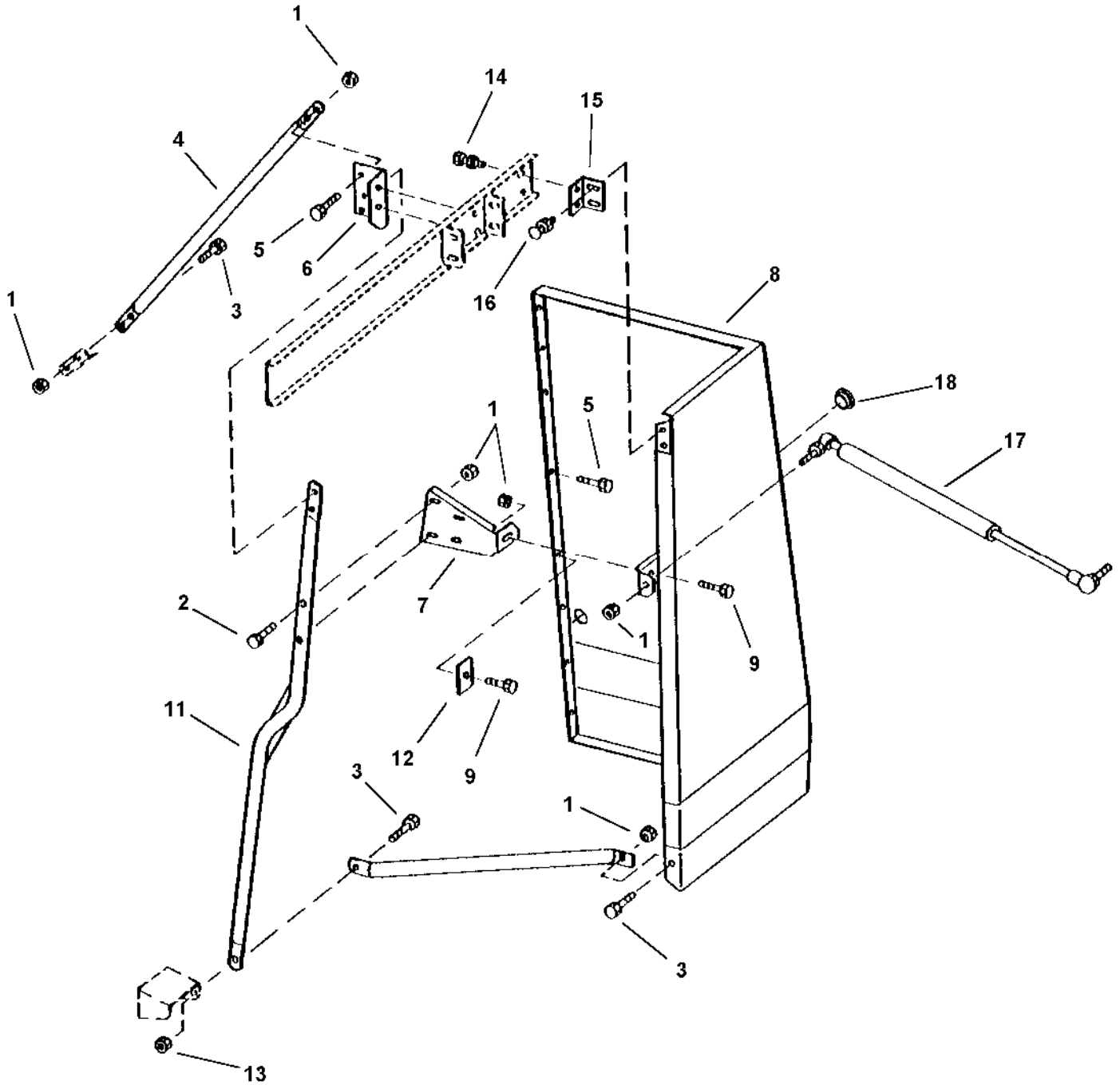
FRONT CORNER SHEET, RIGHT HAND - CONTINUED

KEY	PART NO.	PART NAME	QTY	SERIAL NO.	REMARKS
1	AH147092	PANEL	1		
2	14M7298	FLANGE NUT	5	M8	
3	19M7866	SCREW	4	M8 X 20	
4	H127410	BRACE	1		
5	19M7865	SCREW	1	M8 X 16	
6	19M7867	SCREW	1	M8 X 25 M8 X 1.25 X 25	
7	H127408	BRACE	1		
8	19M7785	SCREW	1	M10 X 25	
9	14M7296	FLANGE NUT	1	M10	
10	H137447	NUT	2		

3C13

SEPARATOR SHELL

REAR CORNER SHEET, LEFT HAND
HP7250 -UN-06NOV97



HP7250

3C14

SEPARATOR SHELL

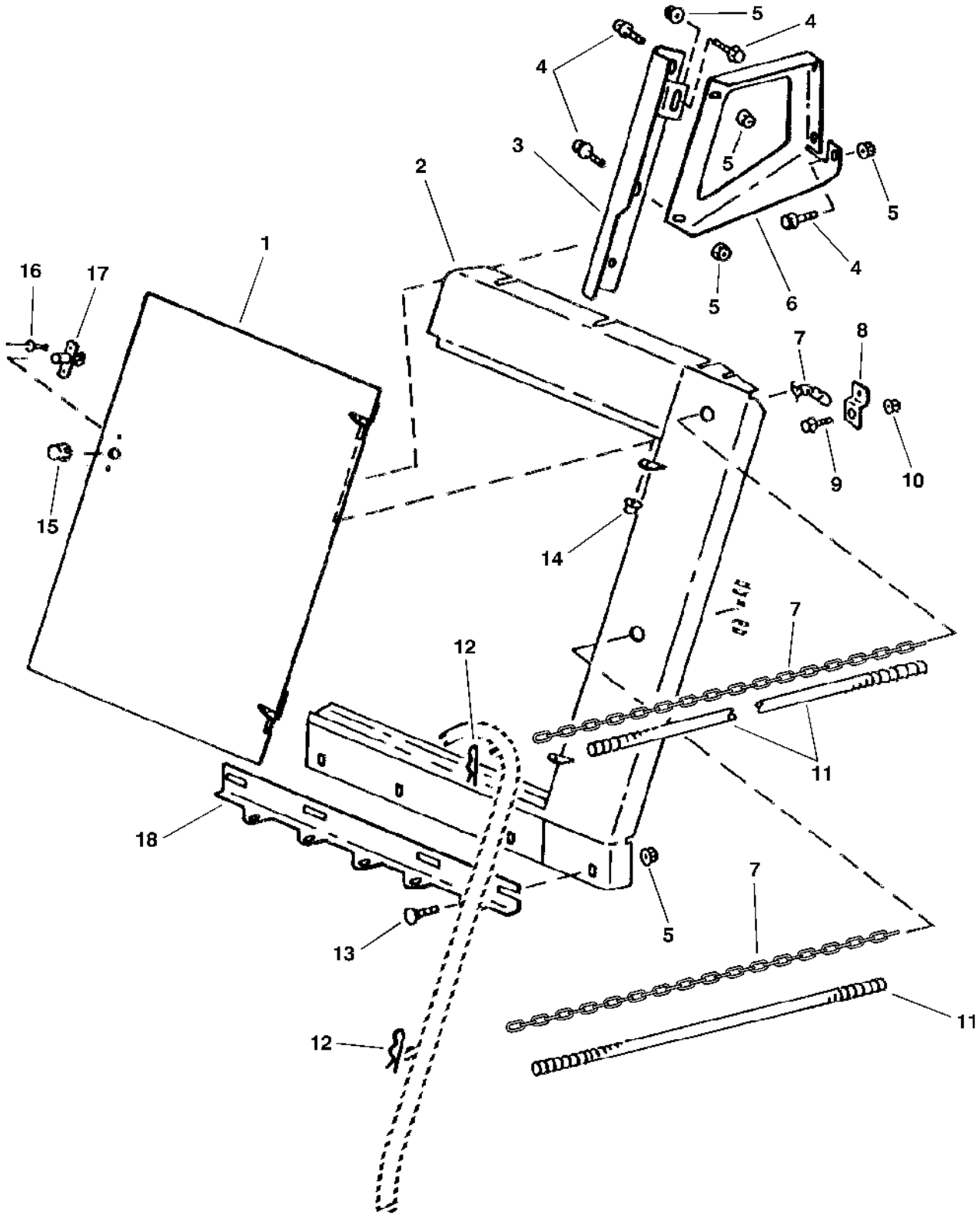
REAR CORNER SHEET, LEFT HAND - CONTINUED

KEY	PART NO.	PART NAME	QTY	SERIAL NO.	REMARKS
1	14M7298	FLANGE NUT	5	M8	
2	19M8318	SCREW	2	M8 X 45	
3	19M7868	SCREW	3	M8 X 30	
4	H132948	BRACE	1		
5	19M7866	SCREW	6	M8 X 20	
6	H131543	BRACKET	1		
7	H144029	BRACKET	1		
8	AH158487	PANEL	1		
9	19M7867	SCREW	6	M8 X 25	
10	H132949	BRACE	1		
11	AH126564	BRACE	1		
12	H137534	STRAP	5		
13	14M7396	LOCK NUT	1	M8	
14	19M7785	SCREW	2	M10 X 25	
	14M7296	FLANGE NUT	2	M10	
15	H126672	BRACKET	1		
16	19M7785	SCREW	2		
	14M7296	FLANGE NUT	2		
17	AH128598	GAS OPERATED CYLINDER	1	REAR	
18	H164757	PLUG	1		

3C15

SEPARATOR SHELL

LEFT - HAND FRONT CORNER SHEET AND DOOR
HP6985 -UN-12SEP97



HP6985

3C16

SEPARATOR SHELL

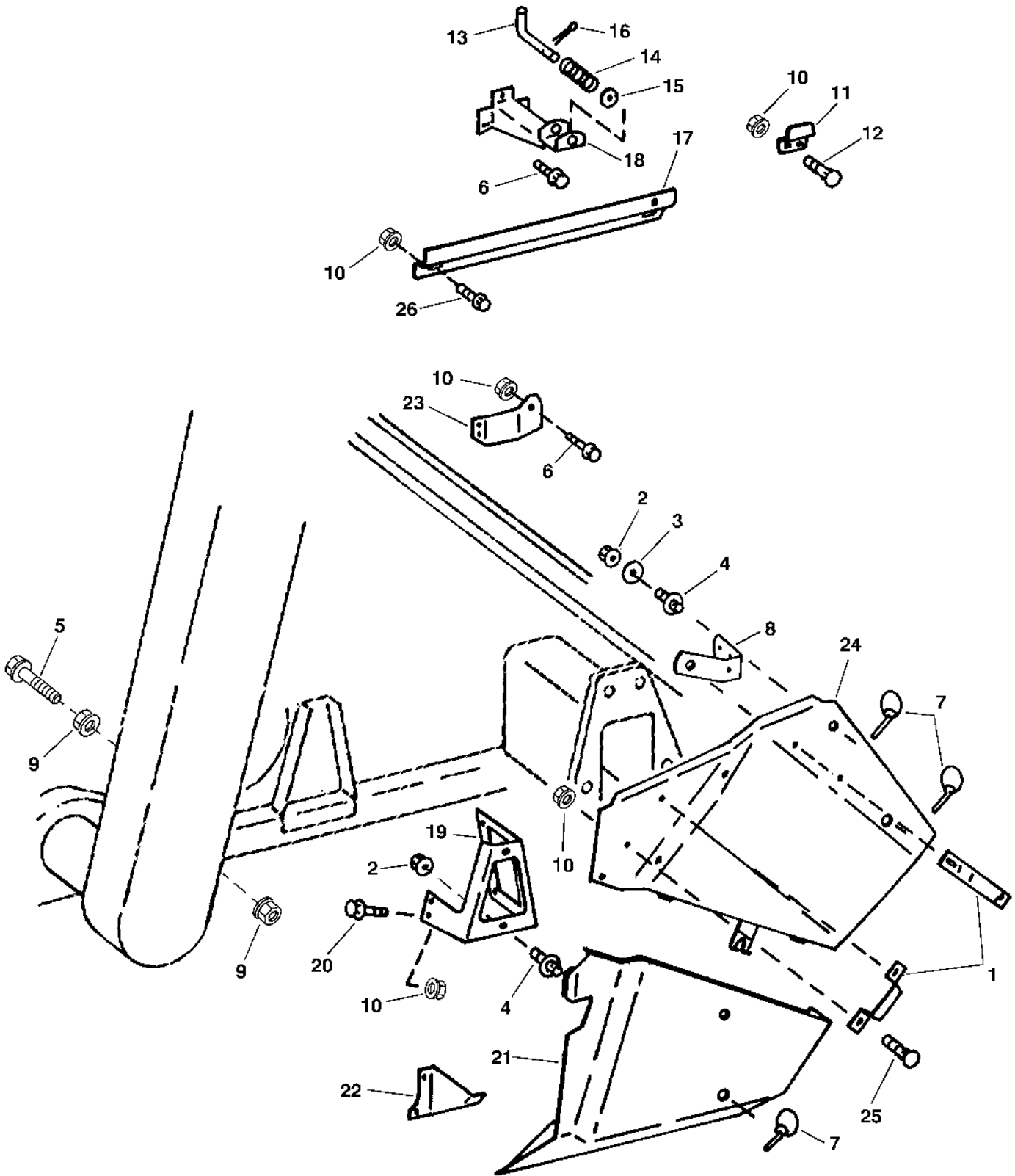
LEFT - HAND FRONT CORNER SHEET AND DOOR - CONTINUED

KEY	PART NO.	PART NAME	QTY	SERIAL NO.	REMARKS
1	AH125641	DOOR	1		
2	AH141743	PANEL	1		
3	H130364	ANGLE	1		
4	19M7865	SCREW	9	M8 X 16	
5	14M7298	FLANGE NUT	10	M8	
6	H130363	BRACKET	1		
7	AH146041	SAFETY CHAIN	2	34 LINKS	
8	H131628	BRACKET	1		
9	19M7775	SCREW	1	M6 X 16	
10	14M7303	FLANGE NUT	1	M6	
11	AH146041	SAFETY CHAIN	2		
12	B32630	SPRING LOCKING PIN	2		
13	03M7183	BOLT	4	M8 X 16	
14	H120499	NUT	2		
15	H121391	KNOB	1		
16	H64584	RIVET	1		
17	AH125644	LATCH	1		
18	H130362	ANGLE	1		

3C17

SEPARATOR SHELL

MUD SHIELDS (R.H. SIDE)
HP7230 -UN-08JAN98



HP7230

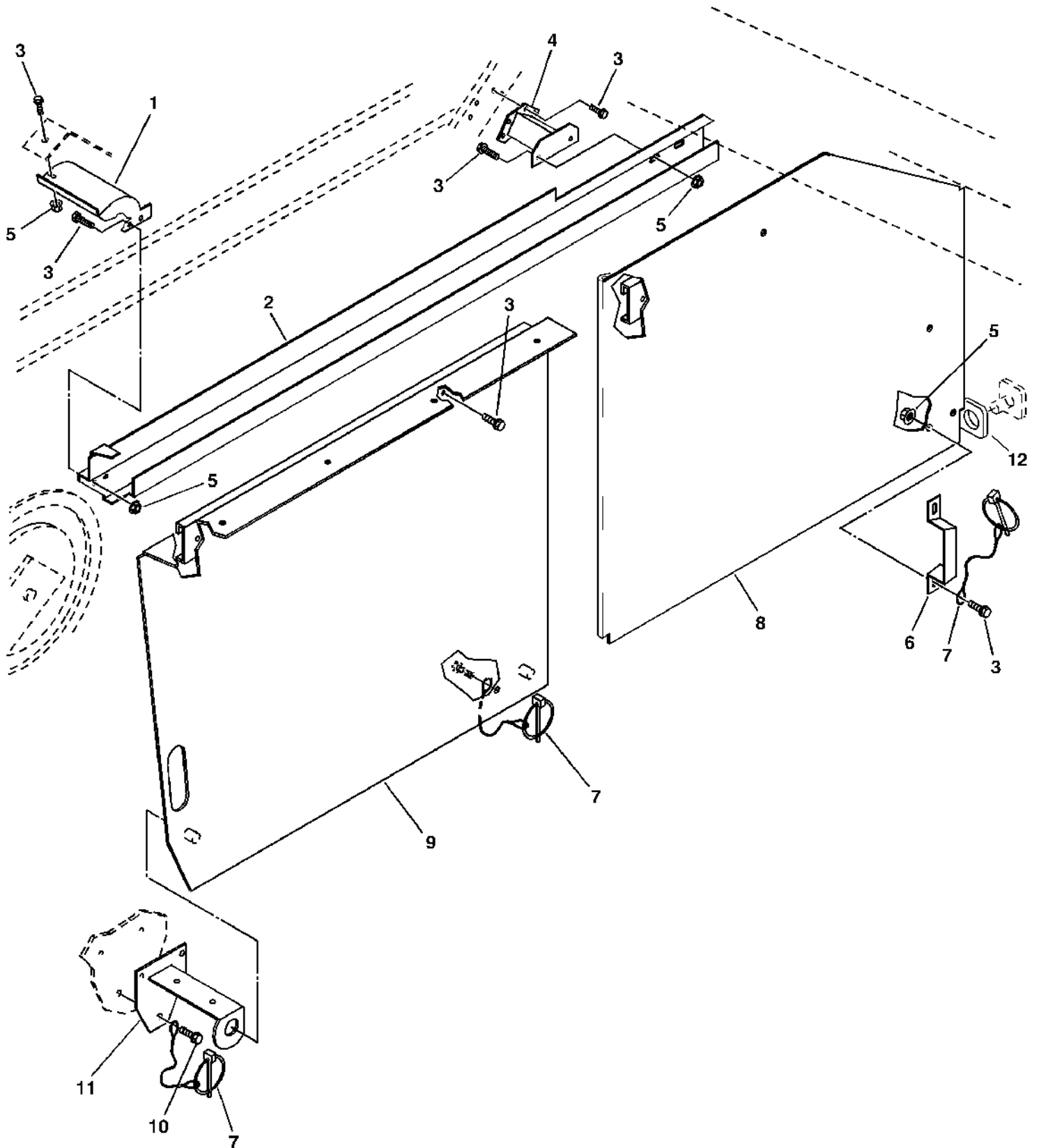
MUD SHIELDS (R.H. SIDE) - CONTINUED

KEY	PART NO.	PART NAME	QTY	SERIAL NO.	REMARKS
1	H85184	HANDLE	2		
2	14M7296	FLANGE NUT	2	M10	
3	24M7178	WASHER	1	10.500 X 30 X 2.500 MM	
4	H130636	STUD	2		
5	19M8037	CAP SCREW	1	M12 X 180	
6	19M7865	SCREW	1	M8 X 16	
7	M72598	QUICK LOCK PIN	1		
8	H141979	BRACKET	1		
9	14M7299	FLANGE NUT	2	M12	
10	14M7298	FLANGE NUT	1	M8, CENTER	
11	H127732	GUIDE	1	FAN DRIVE	
12	03M7184	BOLT	2	M8 X 20	
13	H150746	PIN	1		
14	HZ5621H	SPRING	1		
15	24H1305	WASHER	1	13/32" X 13/16" X 0.065"	
16	11M1383	COTTER PIN	1	FRONT	
17	H127731	GUIDE	1		
	H152135	GUIDE	1		
18	AH136285	BRACKET	1		
19	H146757	BRACKET	1		
20	19M7866	SCREW	2	M8 X 20	
21	AH126352	SHIELD	1		
22	H131876	BRACKET	1		
23	AH155669	BRACKET	1		
24	AH126620	SHIELD	1		
25	03M7183	BOLT	4	M8 X 16	
..	BH80037	COMPLETE GOODS/SHIP. BUNDLE	1	MUD SHIELDS (R.H. SIDE)	

3C19

SEPARATOR SHELL

LEFT SIDE FRONT SHIELD
HP7403 -UN-11FEB98



HP7403

3C20

SEPARATOR SHELL

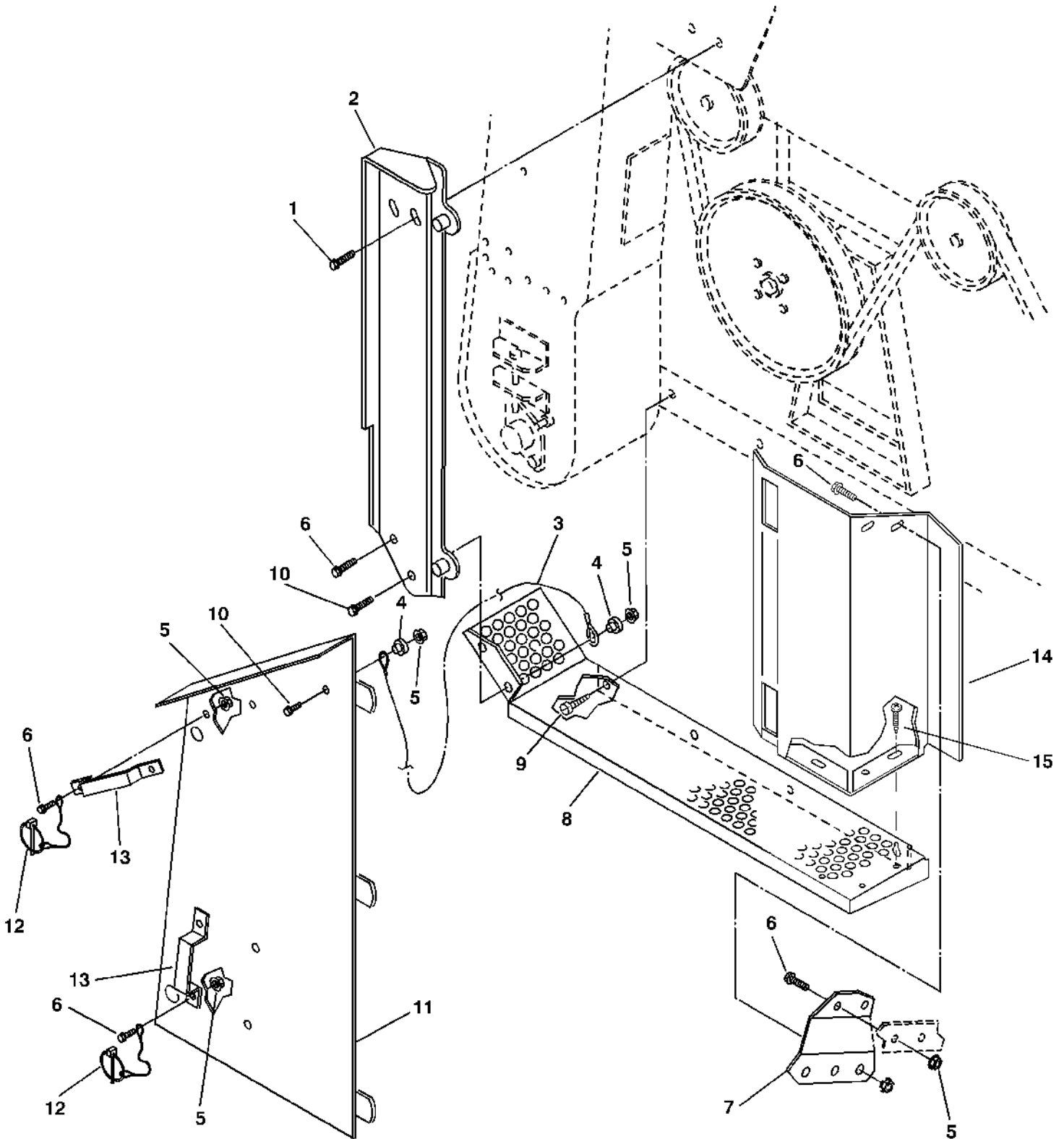
LEFT SIDE FRONT SHIELD - CONTINUED

KEY	PART NO.	PART NAME	QTY	SERIAL NO.	REMARKS
1	AH151344	BRACKET	1		
2	AH151346	CHANNEL	1		
3	19M7865	SCREW	10	M8 X 16	
4	AH151339	BRACKET	1		
5	14M7298	FLANGE NUT	8	M8	
6	H85184	HANDLE	1		
7	AH135290	QUICK LOCK PIN	3		
8	AH158151	SHIELD	1	L.H. REAR UPPER	
9	AH151340	SHIELD	1		
10	37M7058	SCREW	3	M8 X 20	
11	AH151338	BRACKET	1		
12	H164508	ANGLE	1	SHIELD CLOSURE	

3C21

SEPARATOR SHELL

RIGHT SIDE SHIELD ASSEMBLY
HP7407 -UN-04FEB98



HP7407

3C22

SEPARATOR SHELL

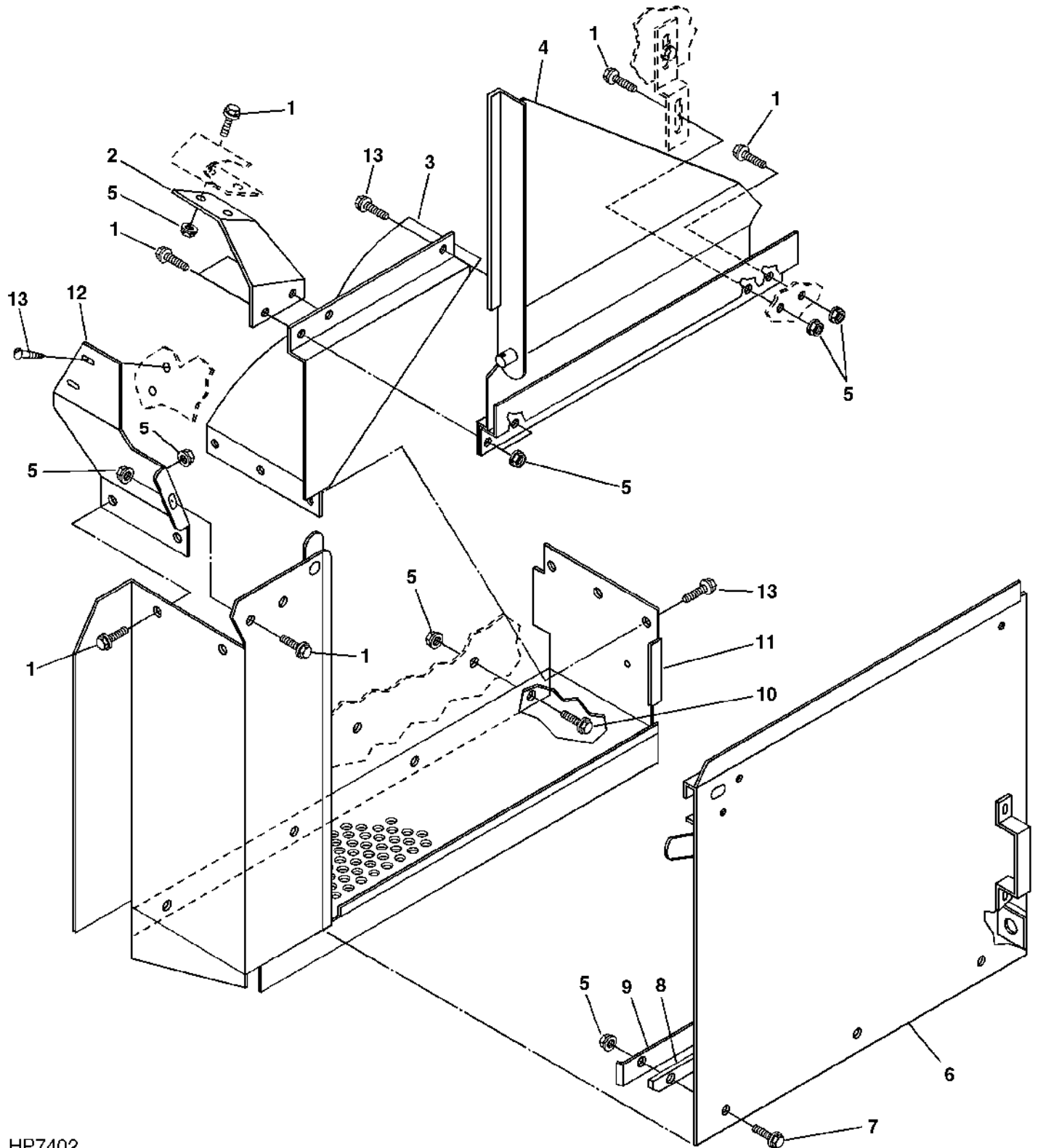
RIGHT SIDE SHIELD ASSEMBLY - CONTINUED

KEY	PART NO.	PART NAME	QTY	SERIAL NO.	REMARKS
1	19M7866	SCREW	2		
2	AH151351	SHIELD	1		
3	AH151353	CABLE	1		
4	M93425	SPACER	2		
5	14M7298	FLANGE NUT	9	M8	
6	19M7865	SCREW	7	M8 X 16	
7	H158646	SHIELD	1		
8	AH159061	SHIELD	1		R.H. LOWER
9	37M7086	SCREW	4	M10 X 20	
10	19M7868	SCREW	1	M8 X 30	
11	AH154401	SHIELD	1		
12	AH135290	QUICK LOCK PIN	2		
13	H85184	HANDLE	2		
14	H165320	SHIELD	1		R.H.
15	37M7058	SCREW	3	M8 X 20	

3C23

SEPARATOR SHELL

LEFT SIDE SHIELD ASSEMBLY
HP7402 -UN-04FEB98



HP7402

3C24

SEPARATOR SHELL

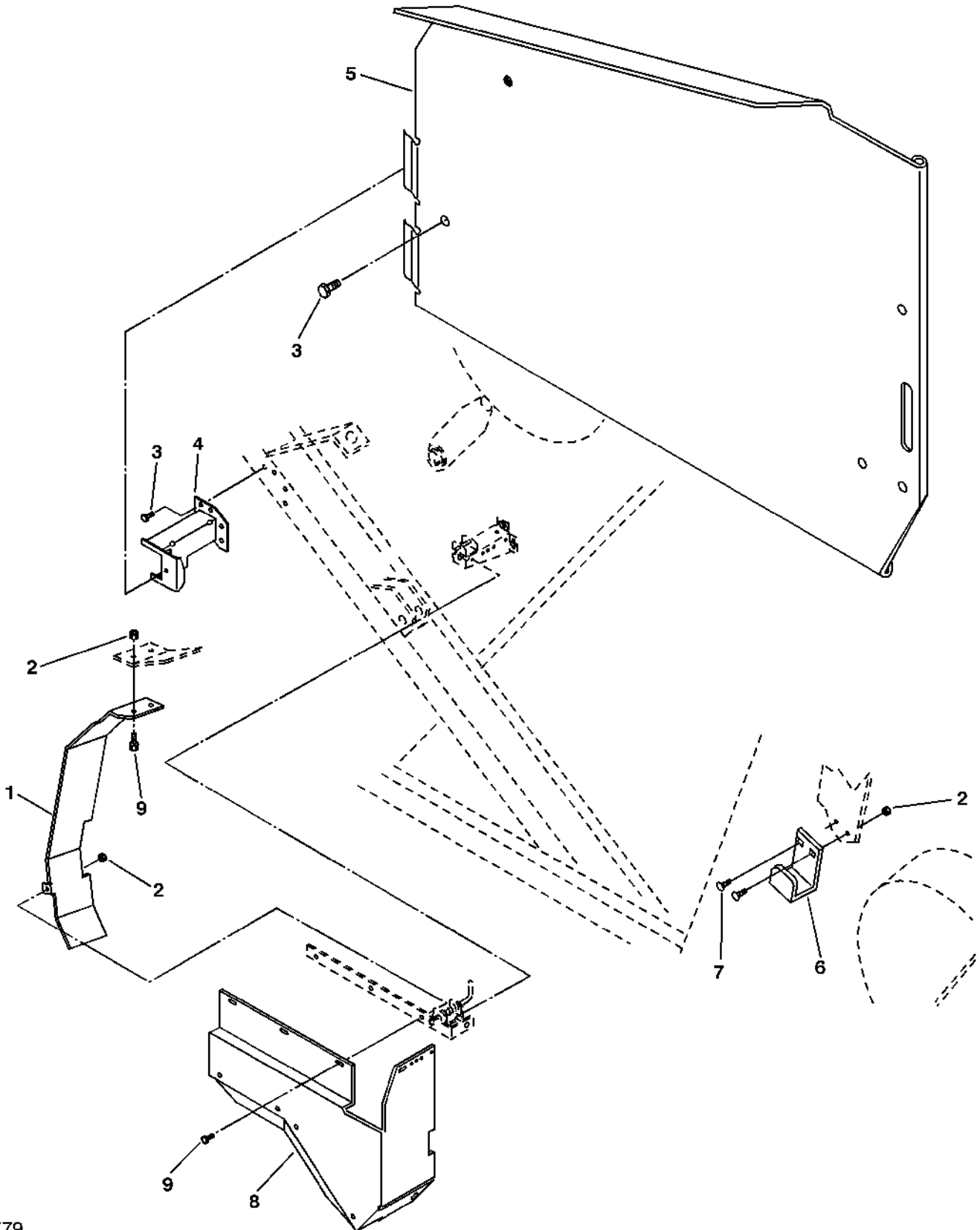
LEFT SIDE SHIELD ASSEMBLY - CONTINUED

KEY	PART NO.	PART NAME	QTY	SERIAL NO.	REMARKS
1	19M7865	SCREW	9		
2	H158614	BRACKET	1		M8 X 16
3	H158633	SHIELD	1		
4	AH151347	SUPPORT	1		
5	14M7298	FLANGE NUT	17		M8
6	AH151342	SHIELD	1		
7	19M7866	SCREW	3		M8 X 20
8	H160733	STRIP	1		
9	H158627	CHANNEL	1		
10	37M7086	SCREW	4		M10 X 20
11	AH151343	SHIELD	1		
12	H158616	SHIELD	1		
13	37M7058	SCREW	6		M8 X 20

3D1

SEPARATOR SHELL

RIGHT SIDE FRONT SHIELD ASSEMBLY
HP6779 -UN-18AUG97



HP6779

3D2

SEPARATOR SHELL

RIGHT SIDE FRONT SHIELD ASSEMBLY - CONTINUED

KEY	PART NO.	PART NAME	QTY	SERIAL NO.	REMARKS
1	H160978	SHIELD	1		
2	14M7298	FLANGE NUT	5	M8	
3	19M7865	SCREW	6	M8 X 16	
4	AH151352	BRACKET	1		
5	AH151349	SHIELD	1		
6	H160187	GUIDE	1		
7	03M7184	BOLT	2	M8 X 20	
8	AH154567	SHIELD	1		
9	19M7866	SCREW	3	M8 X 20	

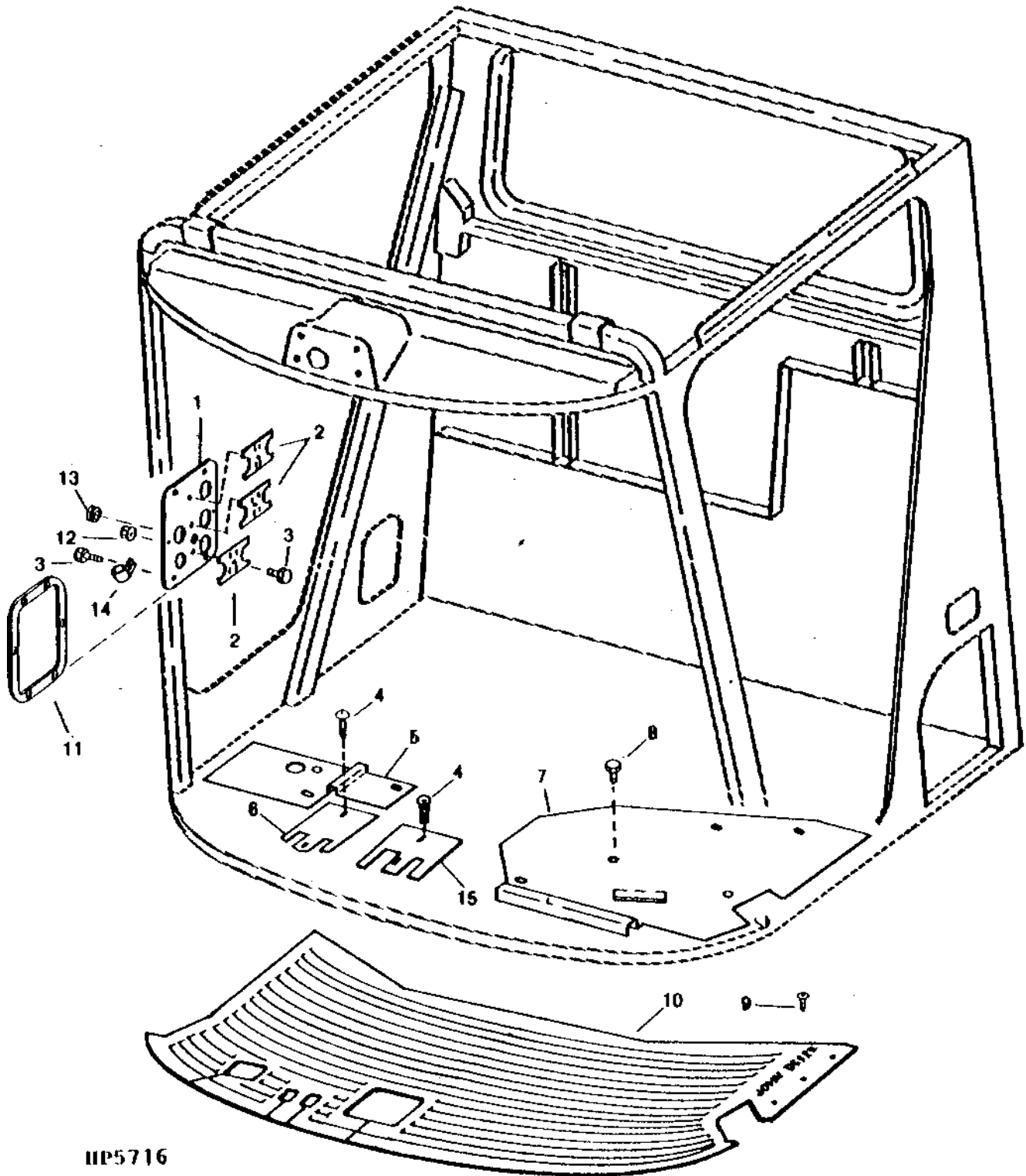
MEMORANDA

MEMORANDA

3D6

OPERATOR'S STATION

CAB PANELS AND FLOOR MAT
HP5716 -UN-01JAN94



HP5716

3D7

OPERATOR'S STATION

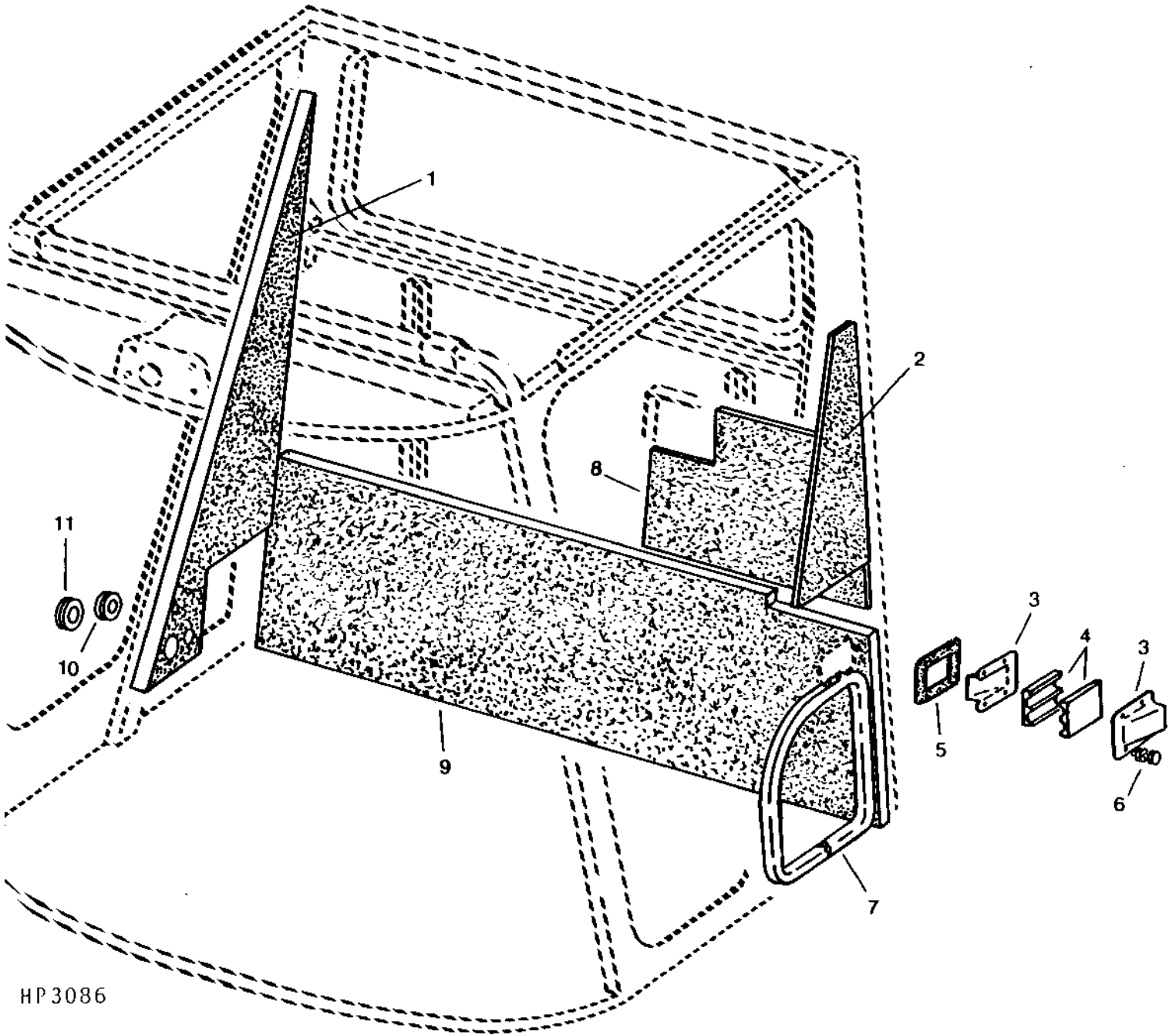
CAB PANELS AND FLOOR MAT - CONTINUED

KEY	PART NO.	PART NAME	QTY	SERIAL NO.	REMARKS
1	H131298	PLATE	1		
2	H131299	PLATE	3		
3	19M7775	SCREW	9	M6 X 16	
4	37M7071	SCREW	4	R.H.	
5	H133665	SHEET	1		
6	H124260	PLATE	1	L.H.	
7	H133666	SHEET	1		
8	37M7089	SCREW	7	M6 X 12	
9	37M7074	SCREW	3		
10	AH159079	MAT	1	(SUB FOR AH128349)	
11	H131301	SEAL	1		
12	14M7303	FLANGE NUT	3	M6	
13	H131300	GROMMET	1		
14	AH89557	CLIP	1	(SUB AH90990)	
	AH90990	CLIP	1		
15	H141292	PLATE	1		

3D8

OPERATOR'S STATION

CAB SOUND DEADENING, FOAM AND SEALS
HP3086 -UN-01JAN94



HP 3086

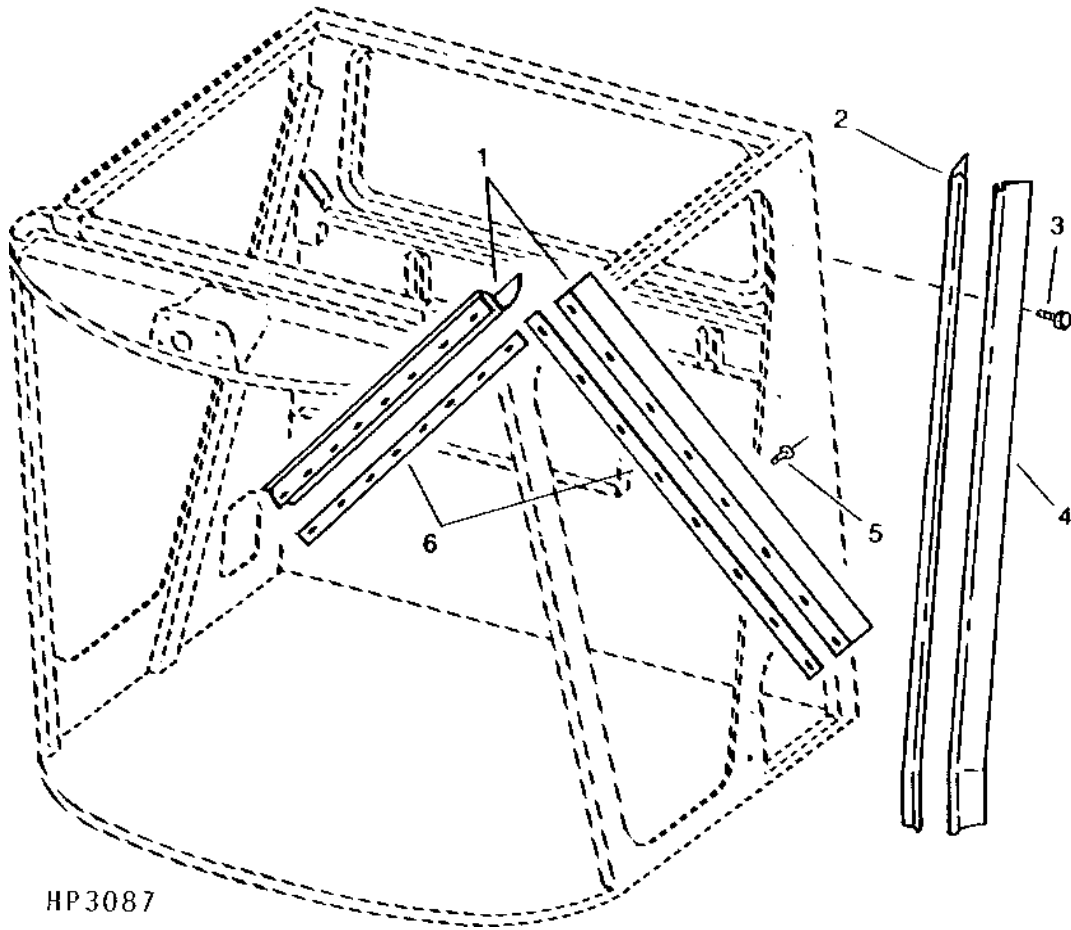
CAB SOUND DEADENING, FOAM AND SEALS - CONTINUED

KEY	PART NO.	PART NAME	QTY	SERIAL NO.	REMARKS
1	H125511	FOAM PAD	1		
2	AH127674	BARRIER	1		L.H.
3	H129606	RETAINER	2		
4	H114523	SEAL	2		
5	H114525	GASKET	1		
6	37M7090	SCREW	4		M6 X 16
7	AH80335	WEATHERSTRIP	1		
8	AH149631	BARRIER	1		REAR
9	AH149374	BARRIER	1		L.H.
	AH149373	BARRIER	1		R.H.
10	R50456	GROMMET	1		
11	H36221	GROMMET	1		

3D10

OPERATOR'S STATION

CAB REAR AND SIDE SEALS
HP3087 -UN-01JAN94



HP3087

3D11

OPERATOR'S STATION

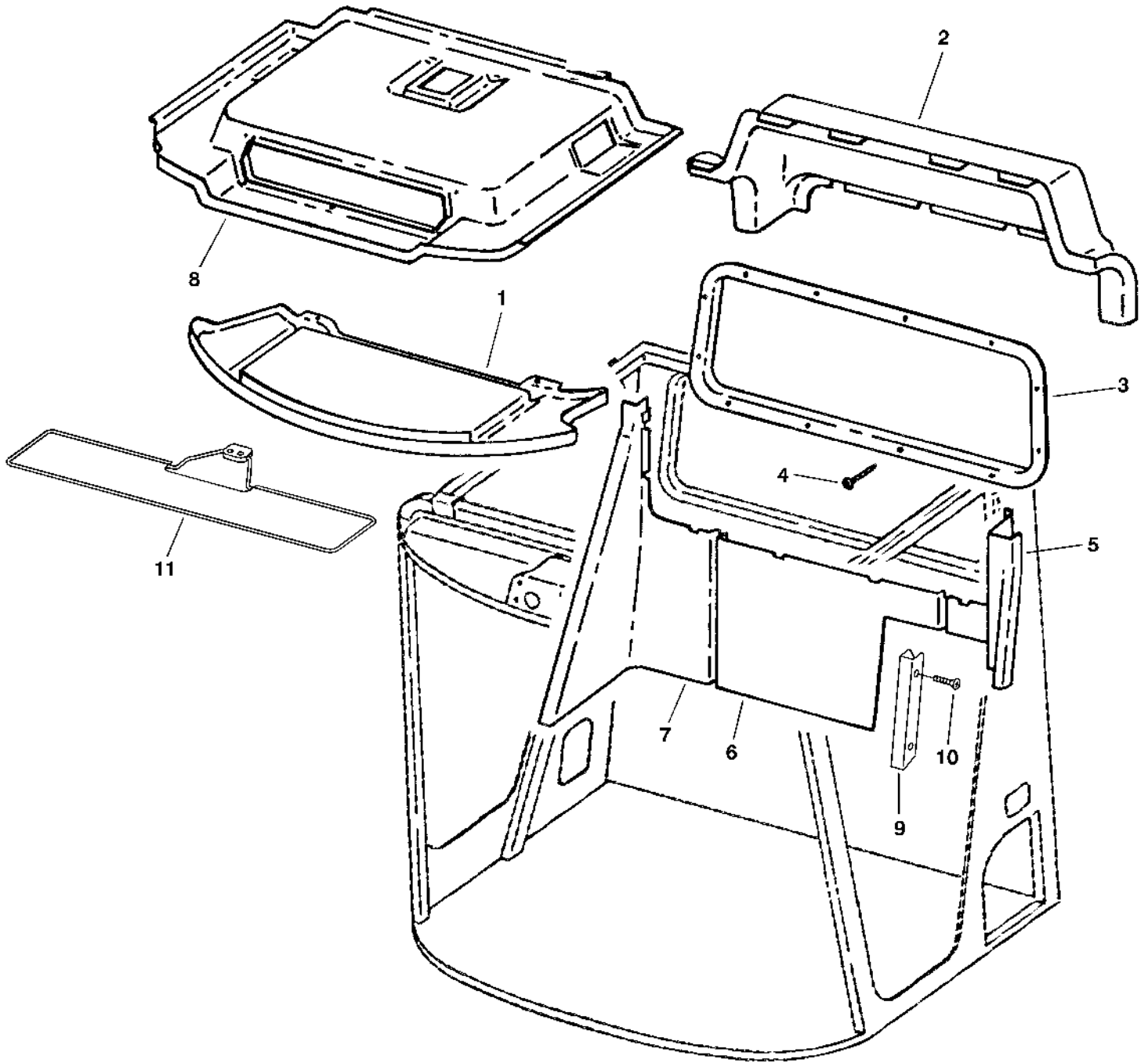
CAB REAR AND SIDE SEALS - CONTINUED

KEY	PART NO.	PART NAME	QTY	SERIAL NO.	REMARKS
1	H135614	SEAL	2		
2	H133391	BRACKET	1		
3	37M7089	SCREW	8	M6 X 12	
4	AH141774	SEAL	1		
5	H85233	RIVET	16		
6	H135615	RETAINER	2		

3D12

OPERATOR'S STATION

CAB INTERIOR TRIM PANELS
HP6769 -UN-11JUL97



HP6769

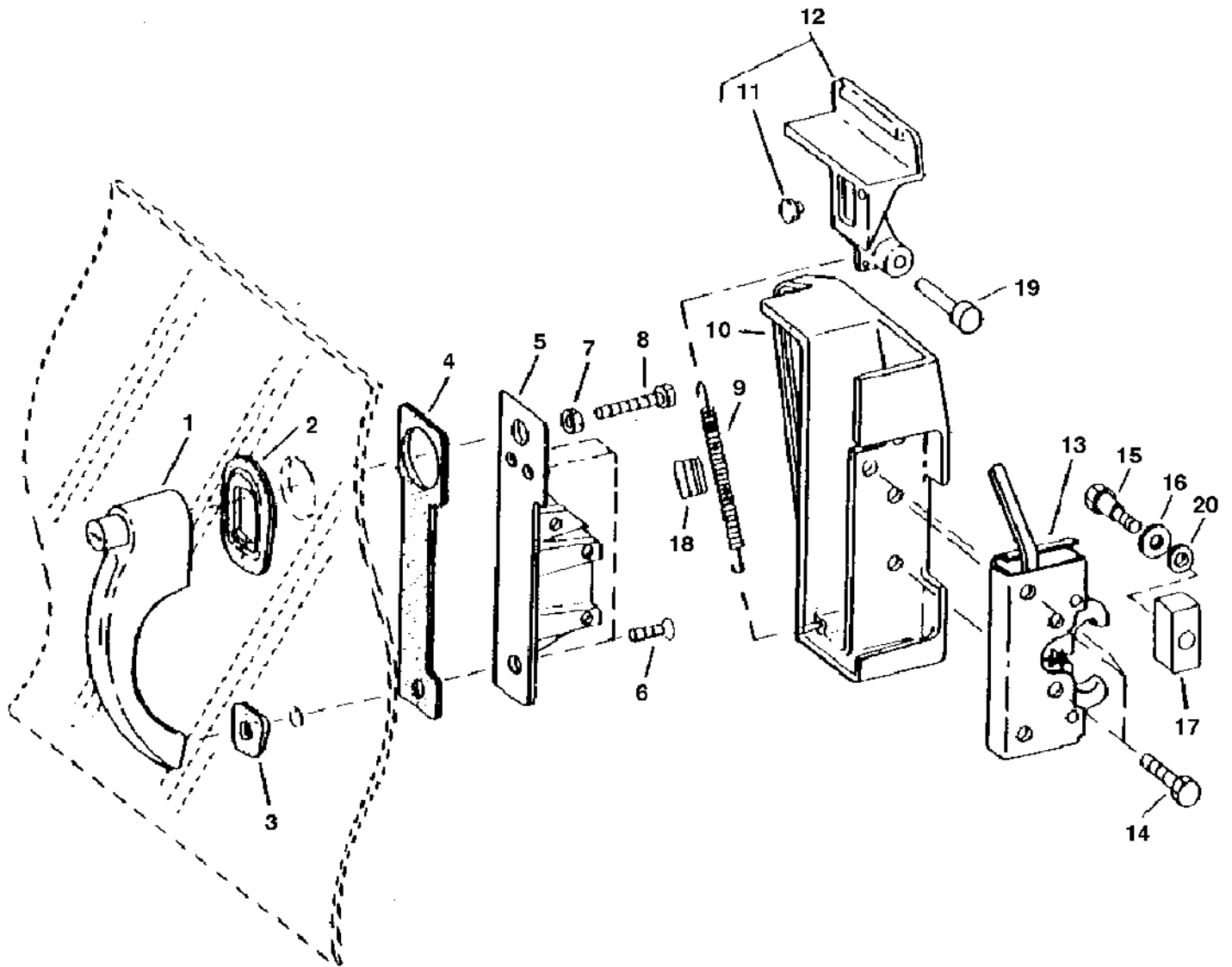
CAB INTERIOR TRIM PANELS - CONTINUED

KEY	PART NO.	PART NAME	QTY	SERIAL NO.	REMARKS
1	AH153911	HEADLINER	1		FRONT, WITH SUN VISOR
	AH120887	HEADLINER	1		FRONT, WITHOUT SUN VISOR
2	AH149883	HEADLINER	1		REAR
3	H168431	BEZEL	1		(SUB FOR H125513) REAR
4	H119088	SCREW	12		
5	AH120891	PANEL	1		L.H.
6	AH146854	PANEL	1		REAR
7	AH120890	PANEL	1		R.H.
8	AH152873	HEADLINER	1		REAR
9	H124210	COVER	1		
10	H132452	CAP SCREW	2		M6 X 50
11	AH151123	SUN VISOR	1		
..	AH133088	KIT	1		SERVICE KIT FOR CAB HARDWARE

3D14

OPERATOR'S STATION

CAB DOOR LATCH
HP6853 -UN-18AUG97



HP6853

3D15

OPERATOR'S STATION

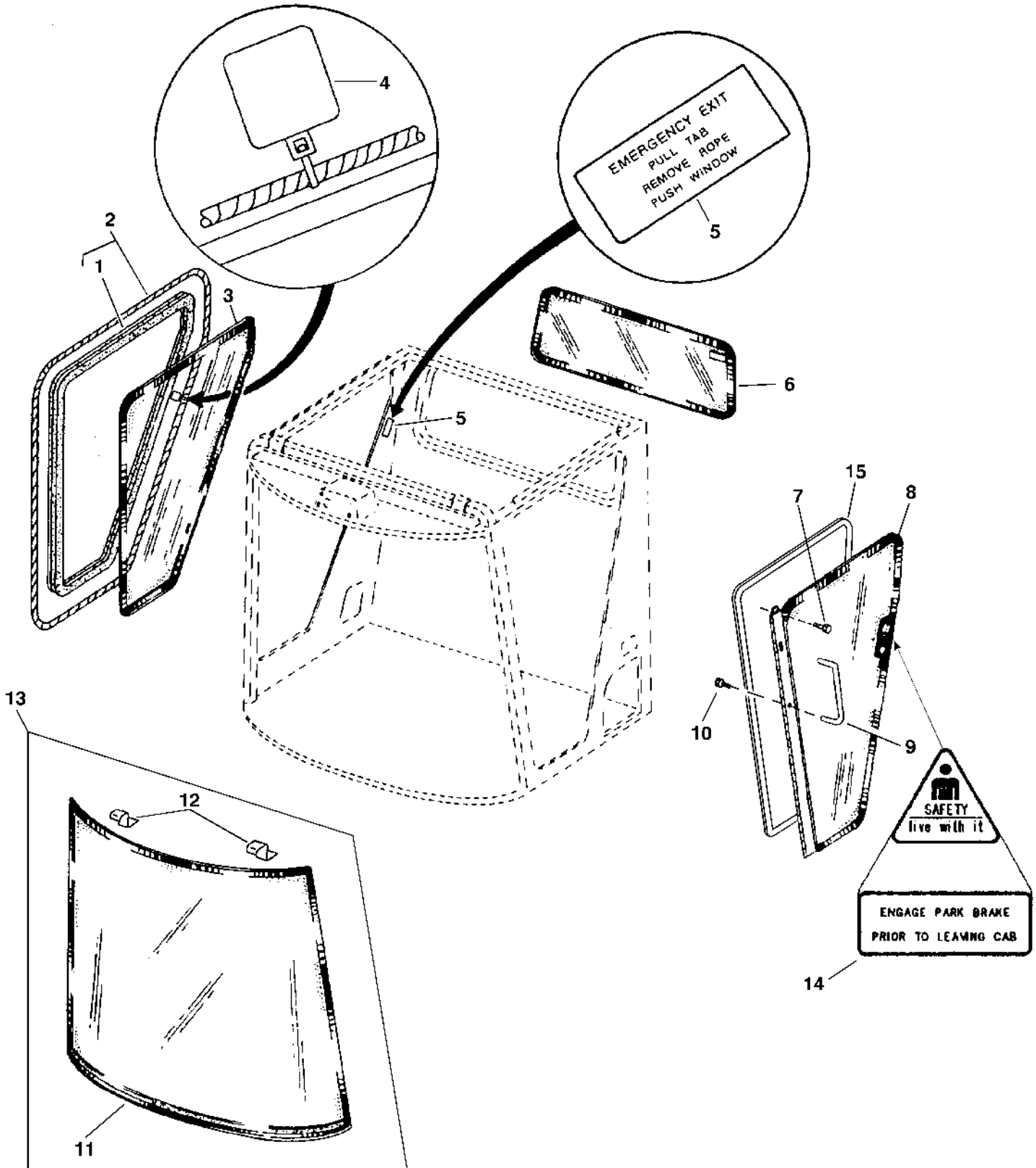
CAB DOOR LATCH - CONTINUED

KEY	PART NO.	PART NAME	QTY	SERIAL NO.	REMARKS
1	RE35161	HANDLE	1		
2	H126082	BEZEL	1		
3	H126081	BEZEL	1		
4	H126083	ISOLATOR	1		
5	H133414	SUPPORT	1		
6	21M7334	SCREW	3	M6 X 25	
7	14H786	NUT	1	1/4"	
8	19H1898	CAP SCREW	1	1/4" X 1-1/2"	
9	H134671	EXTENSION SPRING	1		
10	H150047	HOUSING	1		
11	H145893	BUMPER	1		
12	AH140838	HANDLE	1		
13	AH128585	LATCH	1		
14	19M8326	CAP SCREW	3	M6 X 35	
15	H136589	BOLT	1		
16	24H1219	WASHER	AR	7/16" X 1" X 0.083"	
17	H133219	ADJUSTING STRAP	1		
18	H107566	ISOLATOR	1		
19	H136056	PIN	1		
20	H136590	DISK SPRING	1		
..	TY9370	ADHESIVE	1	6 OZ. MEDIUM STRENGTH - CANADA NUMBER TY9477, APPLY ON 21M7334 SCREW, THREE PLACES	

3D16

OPERATOR'S STATION

CAB GLASS AND DOOR
HP6854 -UN-12SEP97



HP6854

3D17

OPERATOR'S STATION

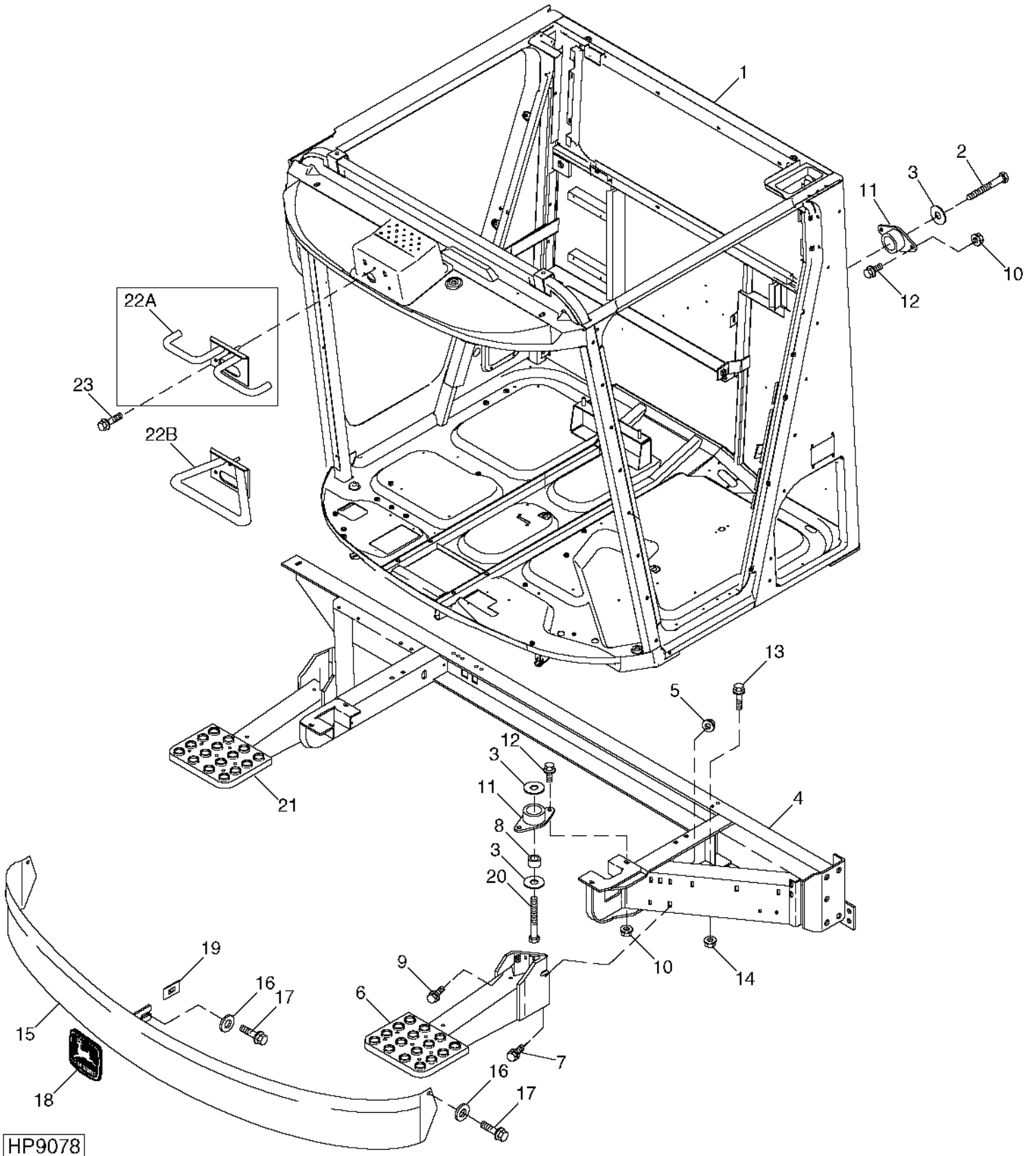
CAB GLASS AND DOOR - CONTINUED

KEY	PART NO.	PART NAME	QTY	SERIAL NO.	REMARKS
1	WEATHERSTRIP	1		
2	AH106010	WEATHERSTRIP	1		(SUB AH106010)
3	H123794	WINDOWPANE	1		
4	H138297	TIE BAND	1		
5	H134535	LABEL	1		
6	H125769	WINDOWPANE	1		
7	37M7160	SCREW	AR		M6 X 16
8	AH154280	DOOR	1		
9	H131720	RAIL	1		
10	19M8358	CAP SCREW	AR		M10 X 20
11	WINDSHIELD	1		(SUB AH141412)
12	AH132819	BRACKET	2		
13	AH141412	KIT	1		
	AH132117	WINDSHIELD	1		
14	H145982	LABEL	1		SAFETY
15	AH80335	WEATHERSTRIP	1		
..	AH126265	CAB	1		

3D18

OPERATOR'S STATION

CAB FRAME AND SUPPORT
HP9078 -UN-17SEP99



HP9078

3D19

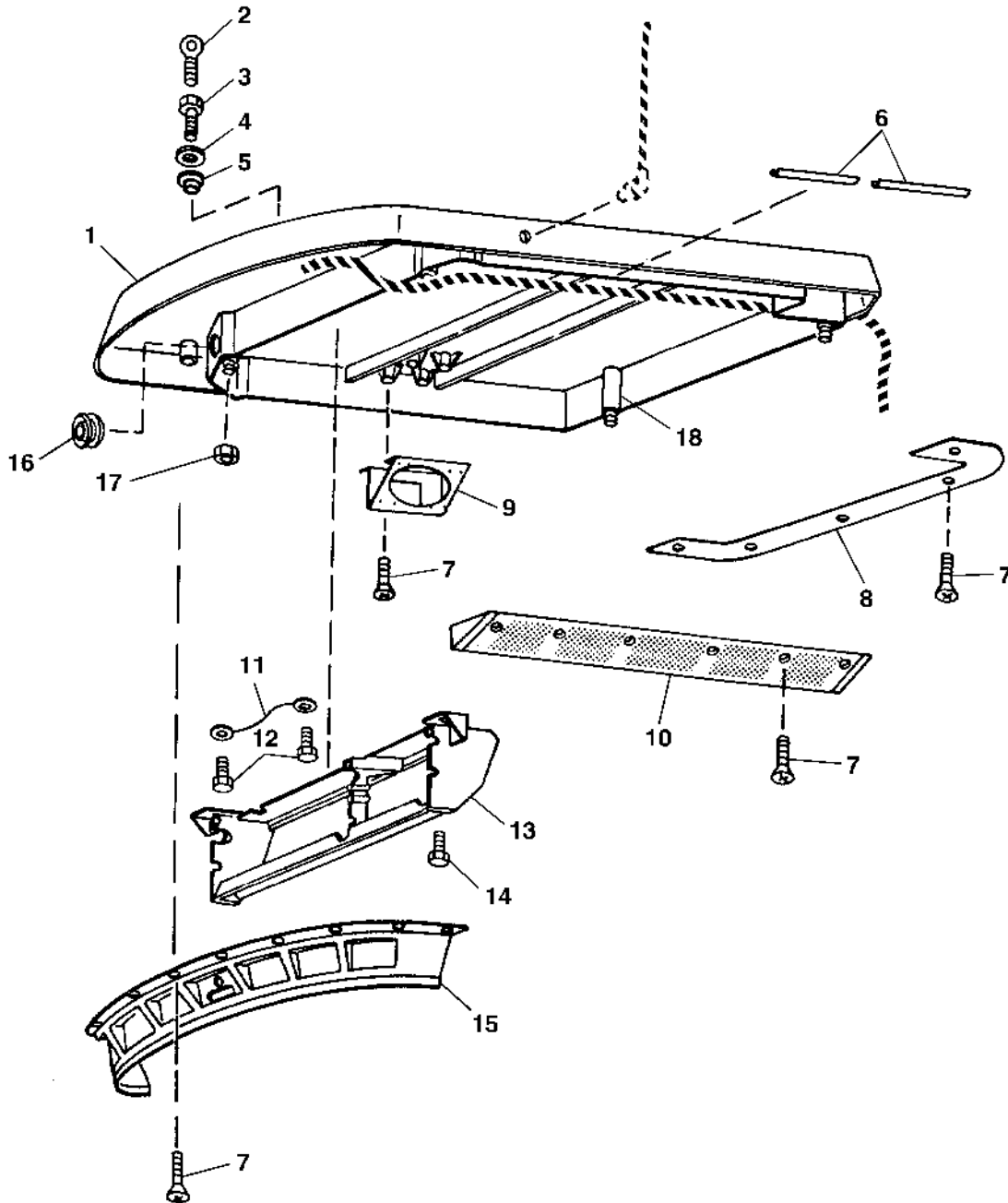
OPERATOR'S STATION

CAB FRAME AND SUPPORT - CONTINUED

KEY	PART NO.	PART NAME	QTY	SERIAL NO.	REMARKS
1	CAB	1		
2	19M7268	CAP SCREW	2	M12 X 25	
3	24M7103	WASHER	4	17.500 X 56 X 5 MM	
4	AH141161	SUPPORT	1		
5	14M7296	FLANGE NUT	3	M10	
6	AH130594	STEP	1	L.H.	
7	19M7785	SCREW	3	M10 X 25, TOP R.H. HOLE AND BOTTOM TWO HOLES	
8	H96690	SPACER	2	16.662 X 31.750 X 28.956 MM (21/32" X 1-1/4" X 1.140")	
9	19M7784	SCREW	1	M10 X 20 TOP L.H. HOLE	
10	14M7299	FLANGE NUT	8	M12	
11	AH108299	RUBBER MOUNT	4		
12	19M7788	SCREW	8	M12 X 25	
13	19M7789	SCREW	4	M12 X 30	
14	14M7299	FLANGE NUT	4	M12	
15	AH132148	SHIELD	1		
16	24M7207	WASHER	3	8.400 X 24 X 2 MM	
17	37M7058	SCREW	3	M8 X 20	
18	H149480	LABEL	1	(USE WITH H98111) (LEAPING DEER)	
19	H98111	NUT	8	4.826 MM	
20	19M7546	CAP SCREW	2	M16 X 150	
21	AH130595	STEP	1	R.H.	
22A	AH150441	HANDLE	1	(SUB AH162746)	
22B	AH162746	HANDLE	1		
23	H162748	SCREW	1	M8 X 1.25	

3D20

CAB ROOF AND SUPPORTS
HP6726 -UN-22MAY97



HP6726

3D21

OPERATOR'S STATION

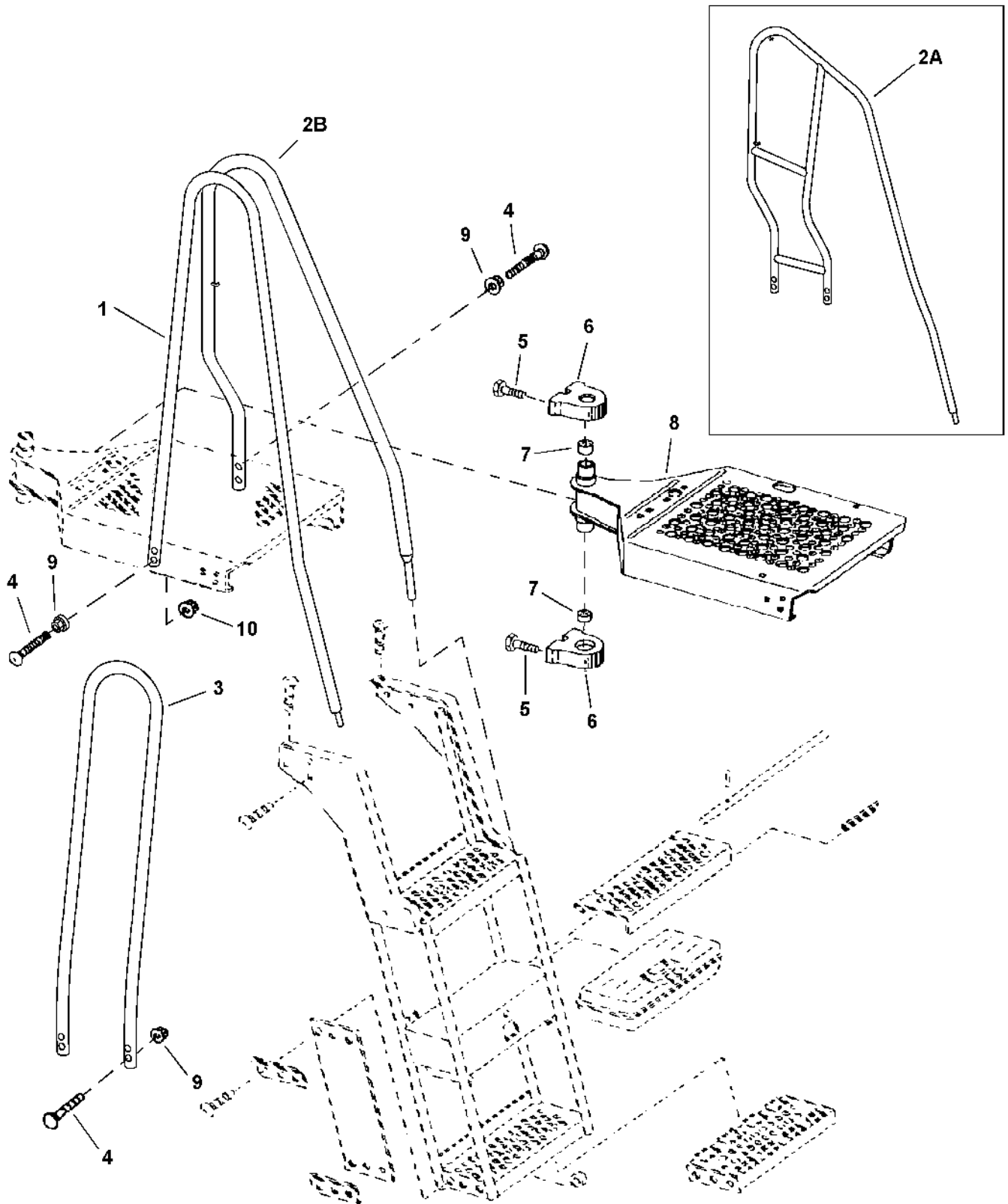
CAB ROOF AND SUPPORTS - CONTINUED

KEY	PART NO.	PART NAME	QTY	SERIAL NO.	REMARKS
1	AH153796	ROOF	1		
2	EYEBOLT	1		12 MM, FOR ROOF REMOVAL
3	19M7789	SCREW	2		M12 X 30
4	24M7051	WASHER	2		21 X 37 X 3 MM
5	H123991	SEALING WASHER	2		
6	AH120541	SEAL	AR		
7	H123995	SCREW	27		
8	H143460	COVER	1		
9	H144472	SUPPORT	2		
10	H130301	COVER	2		
11	AH124882	WIRING LEAD	2		
12	H114038	SCREW	4		
13	AH136557	SUPPORT	1	-14SEP8	
	AH154696	SUPPORT	1	14SEP8-	
14	H116188	SCREW	4		
15	H130303	COVER	1		
16	H123796	GROMMET	1		
17	14M7296	FLANGE NUT	4	M10	
18	H123740	STUD	4		

3D22

OPERATOR'S STATION

OPERATOR'S PIVOTING PLATFORM AND HANDRAILS
HP7618 -UN-31AUG98



HP7618

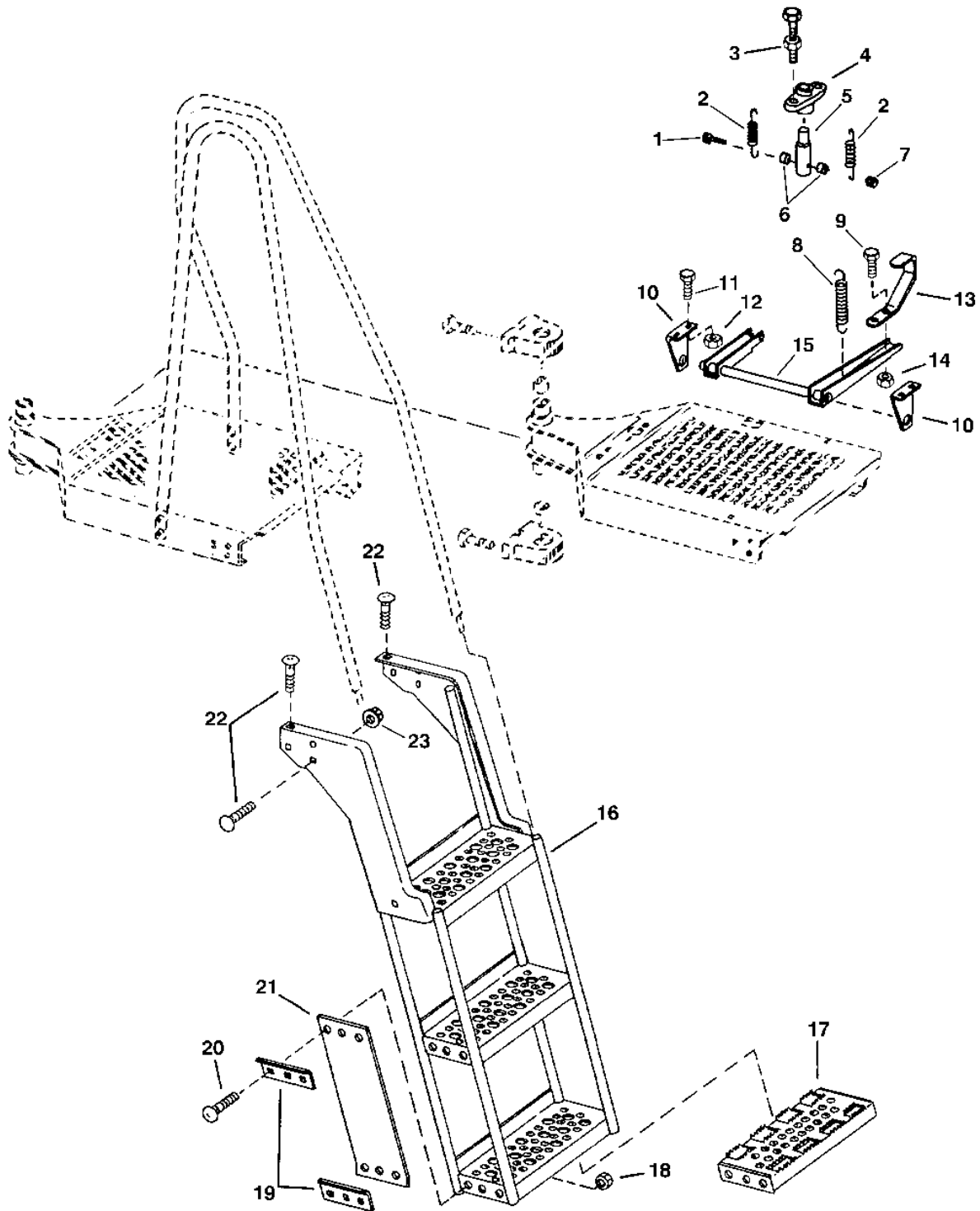
OPERATOR'S PIVOTING PLATFORM AND HANDRAILS - CONTINUED

KEY	PART NO.	PART NAME	QTY	SERIAL NO.	REMARKS
1	AH148181	HANDRAIL	1	-675196	(SUB AH157051) (SUB H136142)
	AH148182	HANDRAIL	1	-675196	(SUB H136143)
	H136142	HANDRAIL	1	675197-27SE99	USE WITH AH133498
	H167173	HANDRAIL	1	28SE99-	
	H136143	HANDRAIL	1	675197-27SE99	
	H167174	HANDRAIL	1	28SE99-	
2A	AH147974	HANDRAIL	1	-675196	USE WITH 1260 MM EXT. (SUB AH157032) (KIT AH158957)
	AH148170	HANDRAIL	1	-675196	(SUB AH157030) USE IN AH154605
	AH148171	HANDRAIL	1	-675196	USE WITH 940 MM EXT. (SUB AH157031)
2B	AH131851	HANDRAIL	1	675197-27SE99	USE WITH 1260 MM EXT
	AH160474	HANDRAIL	1	28SE99-	
	AH131844	HANDRAIL	1	675197-27SE99	
	AH160472	HANDRAIL	1	28SE99-	
	AH131845	HANDRAIL	1	-27SE99	
	AH160473	HANDRAIL	1	28SE99-	
3	AH148183	HANDRAIL	1	-675196	USE WITH 1390 MM EXT.
	H131626	HANDRAIL	1	675197-27SE99	L.H. UPPER
	AH160469	HANDRAIL	1	28SE99-	
4	03M7196	BOLT	8		M10 X 50 M8 X 1.25 X 50
	14M7400	LOCK NUT	2	29SEP7-	M8
5	19M7792	SCREW	4		M16 X 30
6	H129610	BUSHING	2		
7	H111478	SLEEVE	2		
8	AH133498	EXTENSION	1	-27SE99	810 MM EXT. ON 9400 WITH 30.5 X 32 TIRES WITH 165 MM AXLE SPACERS.
	AH159185	EXTENSION	1	28SE99-	
	AH133499	EXTENSION	1	-8MAY98	(SUB AH157029) 940 MM EXT.
	AH133500	EXTENSION	1	-27SE99	1260 MM EXT.
	AH159187	EXTENSION	1	28SE99-	
	AH157029	EXTENSION	1	-27SE99	
	AH159186	EXTENSION	1	28SE99-	
9	14M7400	LOCK NUT	8	-675196	M10, M8
10	14M7296	FLANGE NUT	4	675197-	
..	BH80671	COMPLETE GOODS/SHIP. BUNDLE	1		HANDRAIL CONVERSION (TO 1260 MM)
..	BH80673	COMPLETE GOODS/SHIP. BUNDLE	1		HANDRAIL CONVERSION (810 MM TO 940 MM)
..	BH81484	COMPLETE GOODS/SHIP. BUNDLE	1		LADDER EXTENSION (940 MM)

3D24

OPERATOR'S STATION

OPERATOR'S PLATFORM LADDER AND LATCH
HP6506 -UN-15JUL96



HP6506

3D25

OPERATOR'S STATION

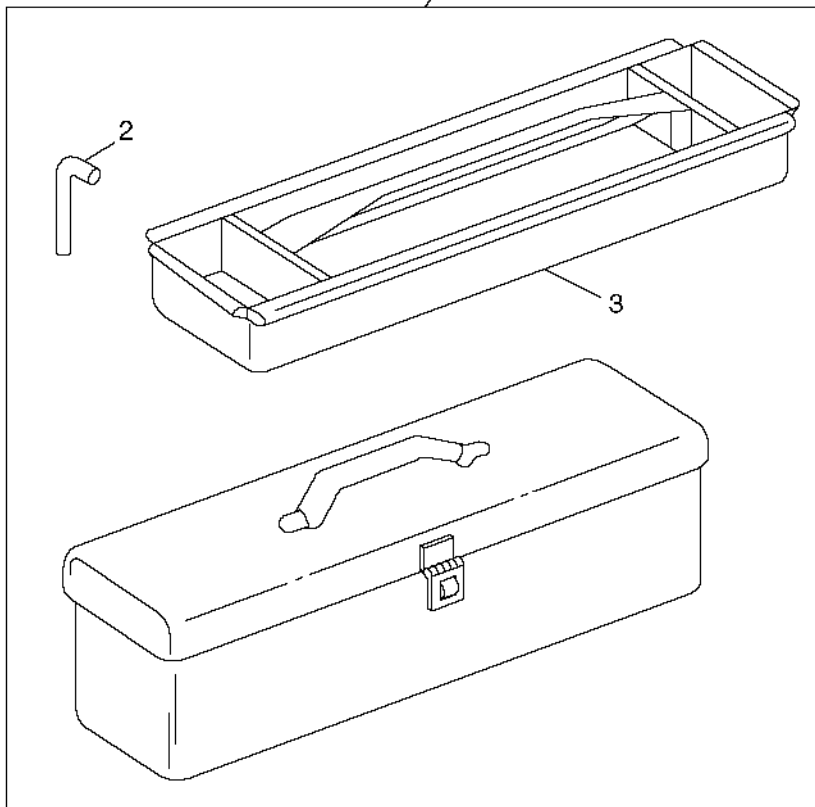
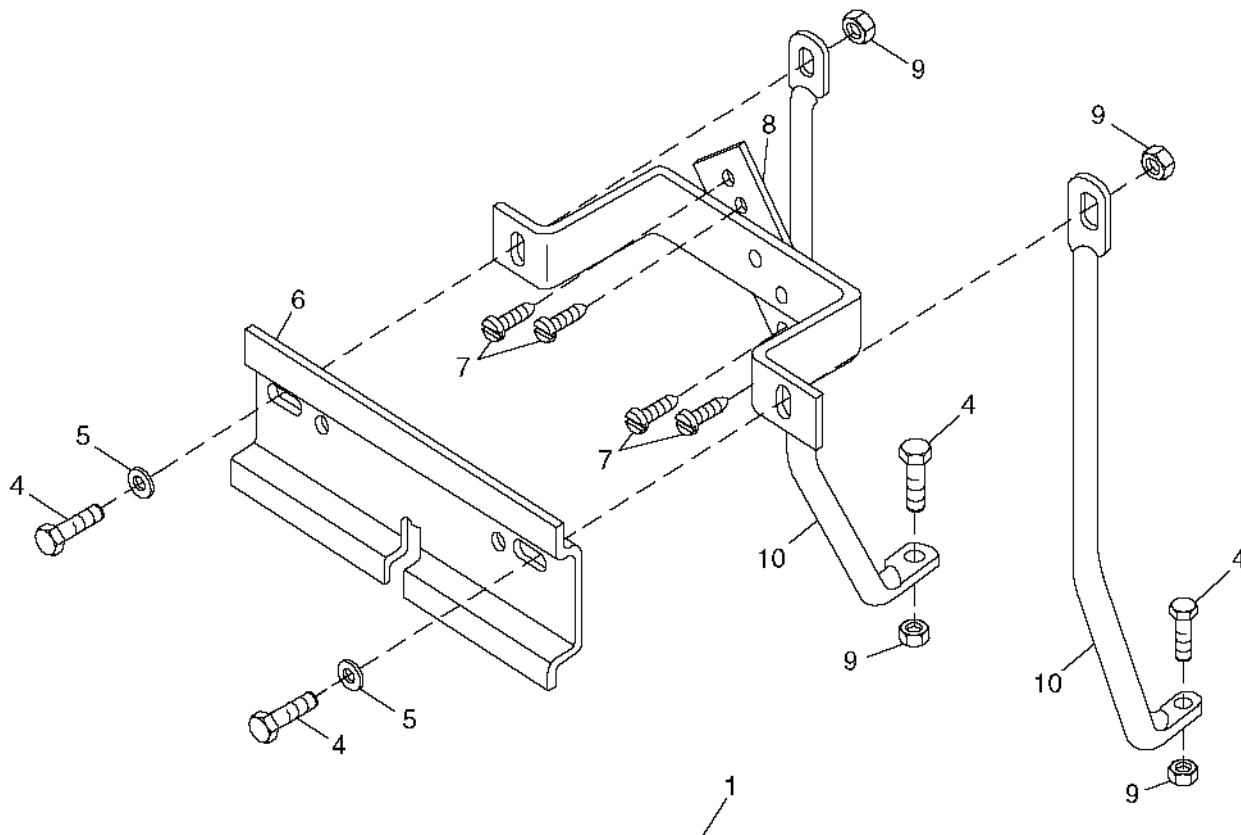
OPERATOR'S PLATFORM LADDER AND LATCH - CONTINUED

KEY	PART NO.	PART NAME	QTY	SERIAL NO.	REMARKS
1	19M7803	SCREW	AR		
2	H137360	EXTENSION SPRING	2		M8 X 70
3	03M7186	BOLT	2		M8 X 30
	14M7396	LOCK NUT	2		M8
4	H129761	BUSHING	1		
5	H129760	PIN	1		
6	28H1903	BUSHING	2		
7	14M7298	FLANGE NUT	1		
8	R60730	SPRING	1		
9	03M7184	BOLT	2		M8 X 20
10	H129763	BRACKET	2		
11	03M7251	BOLT	4		M6 X 12
12	14M7303	FLANGE NUT	4		M6
13	H133514	LEVER	1		
14	14M7298	FLANGE NUT	2		M8
15	AH128610	LATCH	1		
16	AH165990	LADDER	1		(SUB FOR AH145678) WITHOUT TOOLBOX OPENING
17	H136011	STEP	1		
18	14M7396	LOCK NUT	12		M8
19	H136127	PLATE	4		
20	03M7185	BOLT	12		M8 X 25
21	H136126	HANGER	2	-29SE97	(USE WITH AH133499)
22	03M7190	BOLT	8		M10 X 20
23	14M7296	FLANGE NUT	8		M10

3E1

TOOL BOX
HP8490

-UN-13JUL99



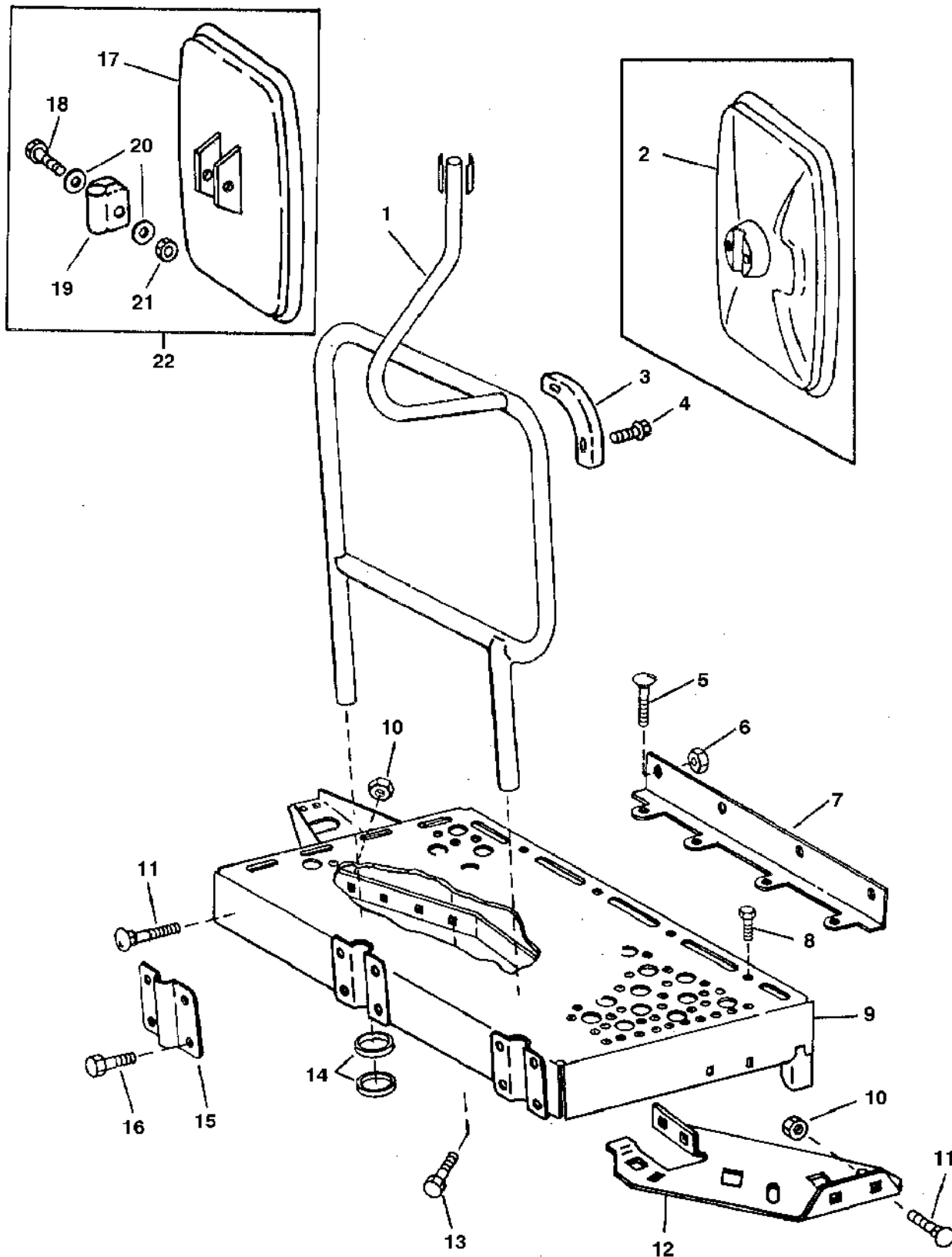
HP8490

TOOL BOX - CONTINUED

KEY	PART NO.	PART NAME	QTY	SERIAL NO.	REMARKS
1	AT22070	TOOLBOX	1		
2	T23027	PIN	1		
3	AT22073	HOLDER	1		
4	19M7785	SCREW	4	M10 X 25	
5	24M7178	WASHER	2	10.500 X 30 X 2.500 MM (0.413" X 1.181" X 0.098")	
6	T23033	BRACKET	1		
7	37M7058	SCREW	4	M8 X 20	
8	AH145157	BRACKET	1		
9	14M7296	FLANGE NUT	4	M10	
10	H150951	BRACE	2		
..	BH81052	COMPLETE GOODS/SHIP. BUNDLE	1		TOOL BOX ASSEMBLY - WITH TRAY AND BRACKET

CAB LEFT-HAND LANDING AND MIRROR

HP6857 -UN-18AUG97



HP6857

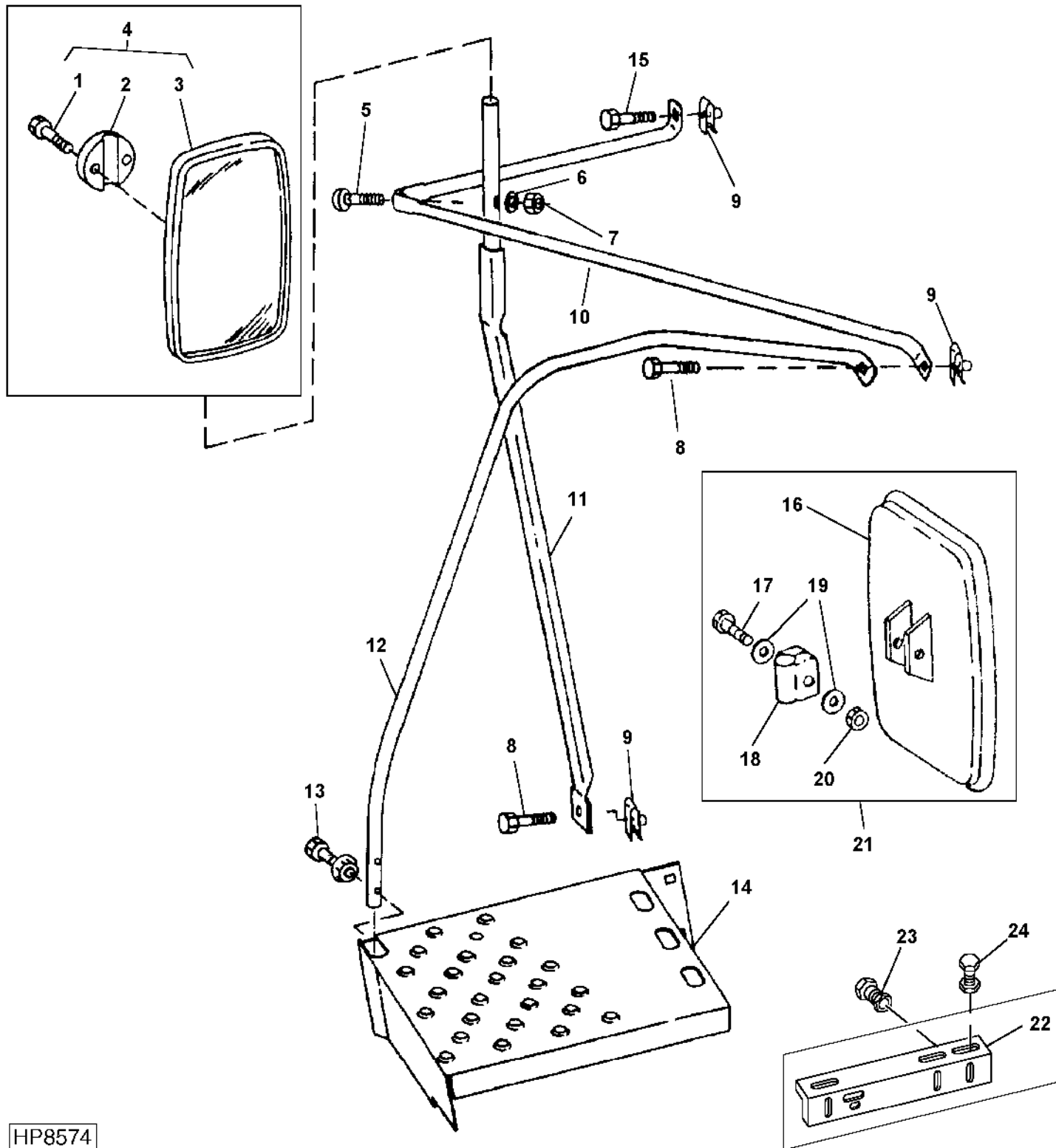
CAB LEFT-HAND LANDING AND MIRROR - CONTINUED

KEY	PART NO.	PART NAME	QTY	SERIAL NO.	REMARKS
1	AH141804	RAIL	1	-27SE99	SERVICE ONLY
	AH160115	HANDRAIL	1	28SE99-	
2	AZ49140	REAR VIEW MIRROR	1		(EXPORT)
3	AH122099	BUMPER	1		
4	37M7046	SCREW	2		
5	03M7183	BOLT	AR		M8 X 16
6	14M7298	FLANGE NUT	AR		M8
7	H130362	ANGLE	1		
8	37M7058	SCREW	AR		M8 X 20
9	AH141812	PLATFORM	1		
10	14M7296	FLANGE NUT	AR		M10
11	19M7784	SCREW	AR		M10 X 20
12	H172944	PLATE	1		(SUB FOR H134544)
13	19M7784	SCREW	4		M10 X 20
14	H136110	ISOLATOR	4		
15	H161289	CLAMP	4		
16	19M7862	SCREW	4		M6 X 20
17	REAR VIEW MIRROR	1		
18	BOLT	1		
19	CLAMP	1		
20	WASHER	1		
21	NUT	1		
22	AH142404	REAR VIEW MIRROR	1		

3E5

OPERATOR'S STATION

CAB LANDING AND MIRROR (R.H.)
HP8574 -UN-13MAY99



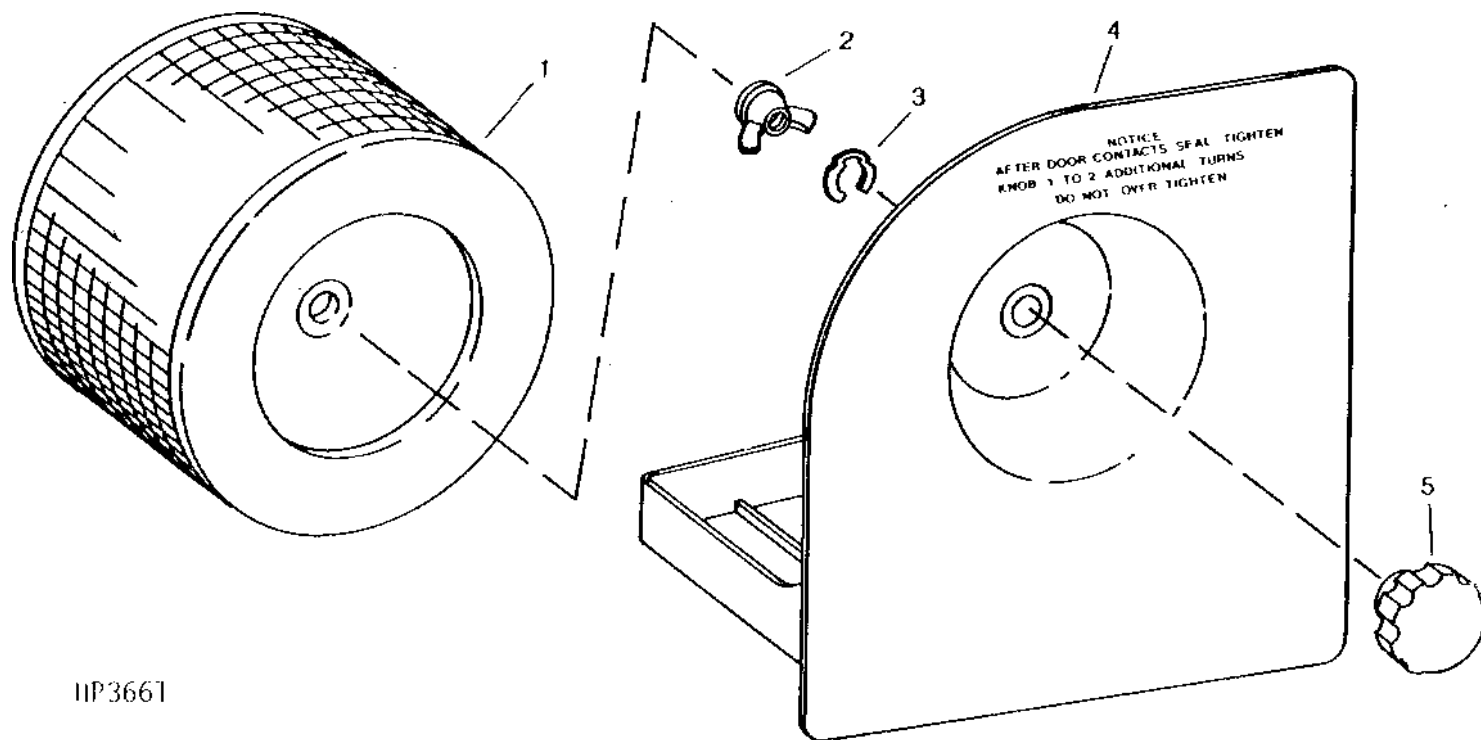
HP8574

CAB LANDING AND MIRROR (R.H.) - CONTINUED

KEY	PART NO.	PART NAME	QTY	SERIAL NO.	REMARKS
1	19M8505	SCREW	2		
2	PLATE	1		M6 X 25
3	REAR VIEW MIRROR	1		
4	AZ42315	REAR VIEW MIRROR	1		EXPORT
	AH142404	REAR VIEW MIRROR	1		
5	19M7805	SCREW	1		M10 X 1.5 X 45
6	24M7178	WASHER	1		
7	14M7296	FLANGE NUT	1		
8	19M7786	SCREW	2		
9	H137447	NUT	3		
10	H134724	SUPPORT	1		
11	AH137725	SUPPORT	1		
12	H134536	RAIL	1		1260MM EXTENSION
	H134537	RAIL	1		940MM EXTENSION
13	03M7216	BOLT	2	-675196	M8 X 50, USE WITH 940 MM EXTENSION
	19M7800	SCREW	2	-675196	M8 X 50, USE WITH 1 260 MM EXTENSION
	03M7216	BOLT	2	675197-	M8 X 50 M8 X 50
	14M7396	LOCK NUT	2	675197-	M8 M8
14	AH130586	SHIELD	1	680113-	
15	19M7805	SCREW	1	-675196	M10 X 45
	19M7786	SCREW	1	675197-	M10 X 30
16	REAR VIEW MIRROR	1		
17	BOLT	1		
18	CLAMP	1		
19	WASHER	1		
20	NUT	1		
21	AH142404	REAR VIEW MIRROR	1		
22	H120659	ANGLE	1		USE WITH DUAL RANGE LOCKOUT
23	19M7866	SCREW	2		M8 X 1.25 X 20
	14M7298	FLANGE NUT	2		M10
24	19M7865	SCREW	2		M8 X 1.25 X 16
	14M7298	FLANGE NUT	2		M10

CAB AIR FILTER AND HOUSING

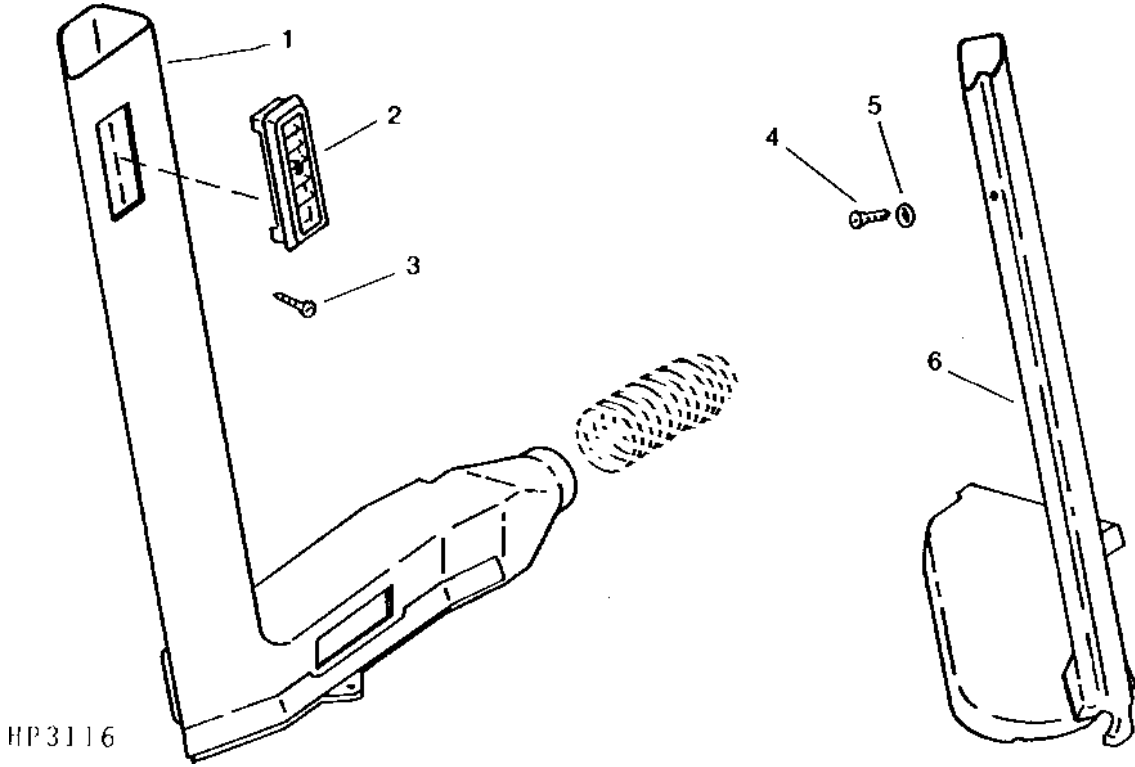
HP3661 -UN-01JAN94



HP3661

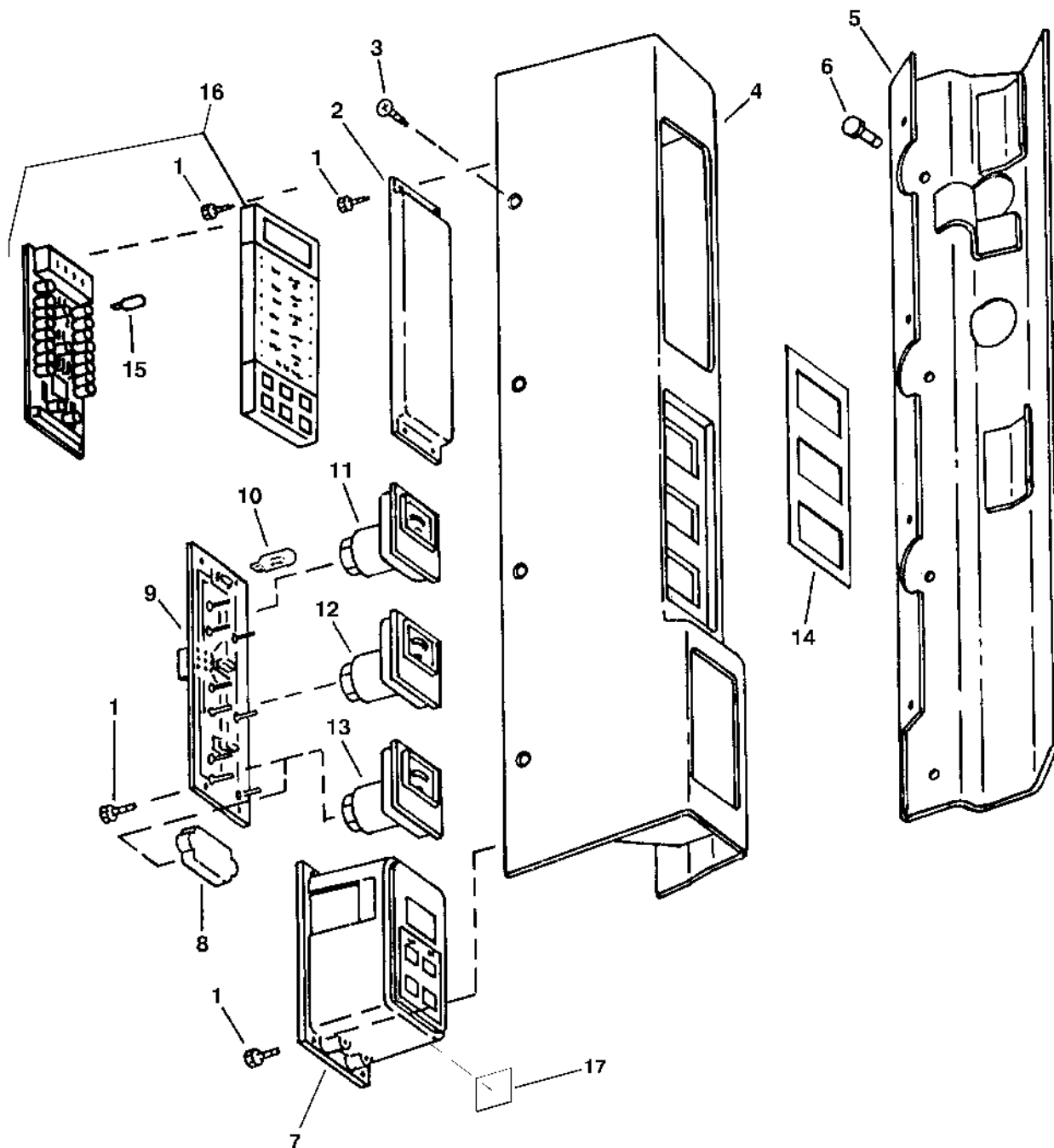
KEY	PART NO.	PART NAME	QTY	SERIAL NO.	REMARKS
1	AH115833	AIR FILTER	1		
2	AH132783	NUT	1		
3	R58806	SNAP RING	1		
4	AH120419	DOOR	1		DECAL IS NOW EMBOSSED RIGHT ON DOOR
5	AH120446	KNOB	1		
..	H150119	LABEL	1		"CHECK PRECLEANER AND PRECLEANER OPENING IN FLOOR (50 HRS)"

AIR CONDITIONING AND HEATER DUCTS
 HP3116 -UN-01JAN94



KEY	PART NO.	PART NAME	QTY	SERIAL NO.	REMARKS
1	H168429	HOUSING	1		
2	AH161926	GRILLE	6		
3	37M7160	SCREW	AR		
4	H165691	SCREW	AR		M6 X 16
5	H91315	WASHER	AR		M6 X 20, (SUB FOR H131591 OR H168780)
6	H130515	AIR DUCT	1	-680112	
	H168430	HOUSING	1	680113-	

CAB POST INSTRUMENT PANEL
HP7318 -UN-22DEC97



HP7318

3E10

OPERATOR'S STATION

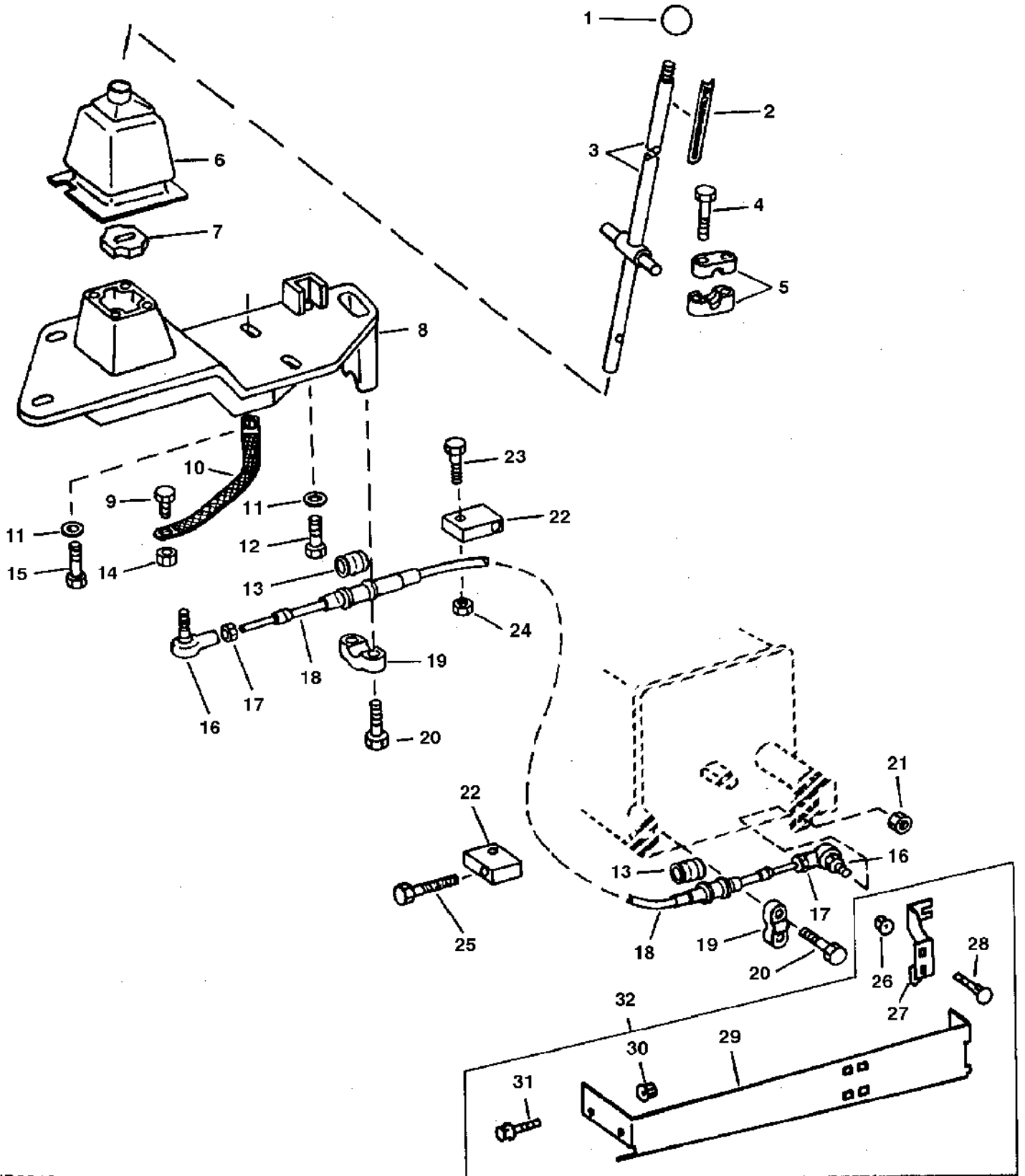
CAB POST INSTRUMENT PANEL - CONTINUED

KEY	PART NO.	PART NAME	QTY	SERIAL NO.	REMARKS
1	21M7268	SCREW	AR		
2	H130058	PANEL	1		M3 X 6
	H168423	PANEL	1		(SUB H168423) WITHOUT DATA CENTER
3	H168424	SCREW	4		M5 X 12
4	AH140609	PANEL	1		
5	AH120570	BRACKET	1		
6	37M7089	SCREW	AR		M6 X 12
7	AH163527	KIT	1		(INCLUDES AH161335 DUAL TACHMETER, AH144684 LABEL KIT, AND H165359 INSTRUCTIONS)
8	H129686	COVER	1		NOT USED WITH HARVESTRAK
9	AH141984	CIRCUIT BOARD	1		
10	AA27536	BULB	3		
11	AH120444	GAUGE	1		FUEL
12	AH159352	TEMPERATURE GAUGE	1		(SUB FOR AH148354)
13	AH120445	GAUGE	1		HARVESTRAK
14	H145417	DECAL	1		GAUGE GRAPHICS DECAL
15	AH108380	BULB	20		
16	AH162661	KIT	1	-680351	COMBINE DATA CENTER, INCLUDES AH162660 MONITOR, LABELS AND INSTRUCTIONS.
	AH167934	KIT	1	680352-	
17	R133617	LABEL	1		
..	BH71887	COMPLETE GOODS/SHIP. BUNDLE	1		HARVESTRAK

3E11

OPERATOR'S STATION

GEARSHIFT LEVER AND LINKAGE
HP6819 -UN-18AUG97



HP6819

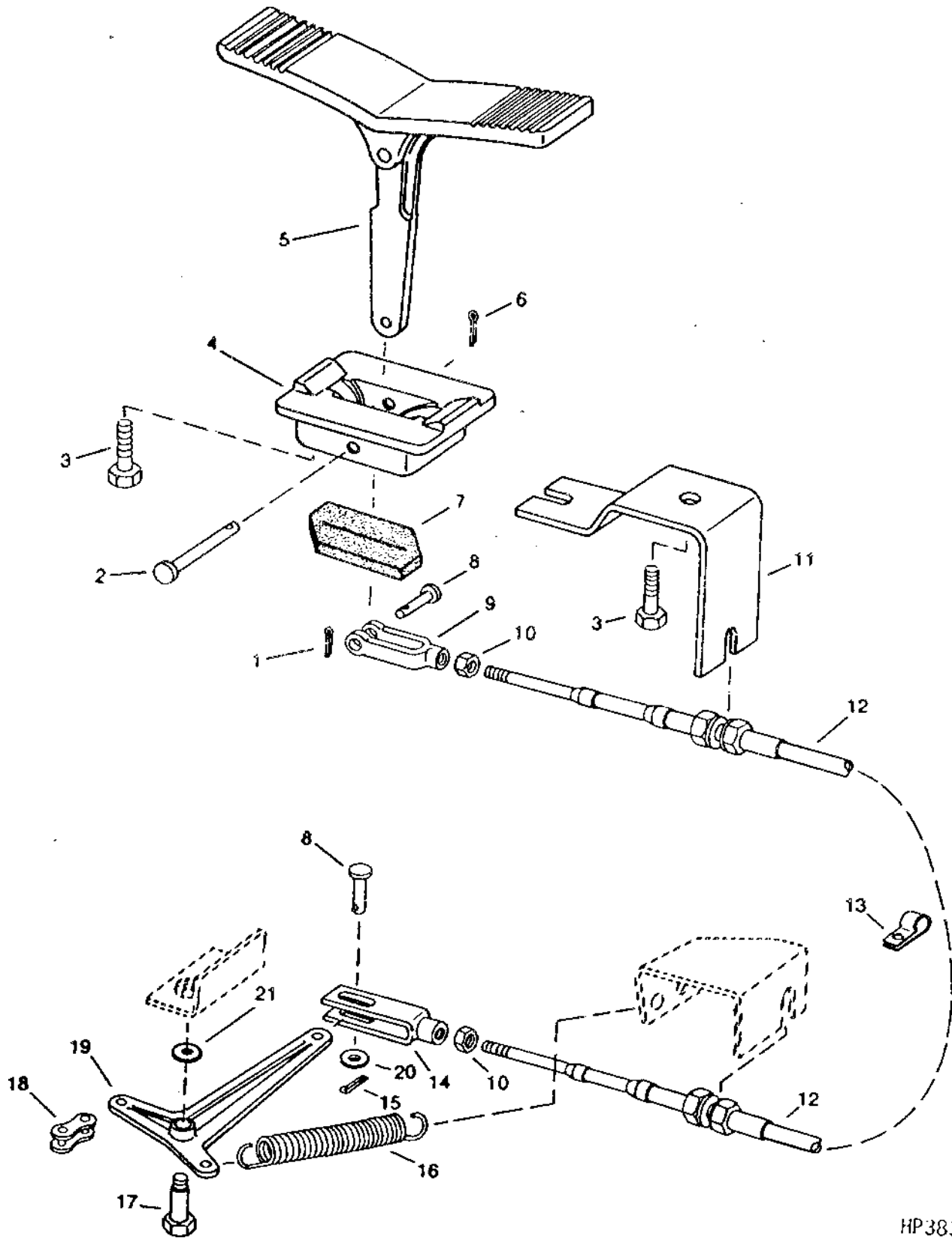
GEARSHIFT LEVER AND LINKAGE - CONTINUED

KEY	PART NO.	PART NAME	QTY	SERIAL NO.	REMARKS
1	H125518	KNOB	1		USE TY9373 OR TY9478 OR TY9371 TO SECURE
2	H149068	LABEL	1		"BRAKE"
3	AH138707	ROD	1		INCLUDES DECAL
4	19M8318	SCREW	4		M8 X 45
5	H131040	BEARING	4		
6	H131041	BOOT	1		
7	H133660	SEAL	1		
8	H133636	HOUSING	1		
9	19M7790	SCREW	1		M12 X 35
10	AH125010	GROUND CABLE	1		
11	24H1296	WASHER	5		11/32" X 1-3/8" X 0.134"
12	19M8319	SCREW	1		M8 X 50
13	H133662	ISOLATOR	2		
14	14M7299	FLANGE NUT	1		M12
15	19M7867	SCREW	4		M8 X 25
16	AH125958	BALL JOINT	2		
17	14M7274	NUT	2		M10
18	AH128357	CABLE	1		
19	H133047	CLAMP	2		
20	19M8291	SCREW	4		M8 X 35
21	14M7296	FLANGE NUT	1		M10
22	AH77724	CLIP	3		
23	19M7867	SCREW	1		
24	14M7298	FLANGE NUT	1		
25	37M7058	SCREW	3		
26	14M7400	LOCK NUT	2		
27	SUPPORT	1		(SUB AH138329)
28	03M7190	BOLT	2		
29	GUARD	1		(SUB AH138329)
30	14M7401	LOCK NUT	1		
31	19M7789	SCREW	1		M12 X 30
32	AH138329	KIT	1		CABLE GUARD KIT
..	TY9370	ADHESIVE	1		6 OZ. MEDIUM STRENGTH (CANADA NUMBER TY9477)
..	TY9373	GASKET	1		
..	TY9478	ADHESIVE	1		
..	TY9371	ADHESIVE	1		6 ML HIGH STRENGTH

3E13

FEEDER HOUSE REVERSER FOOT CONTROL

HP3833 -UN-01JAN94



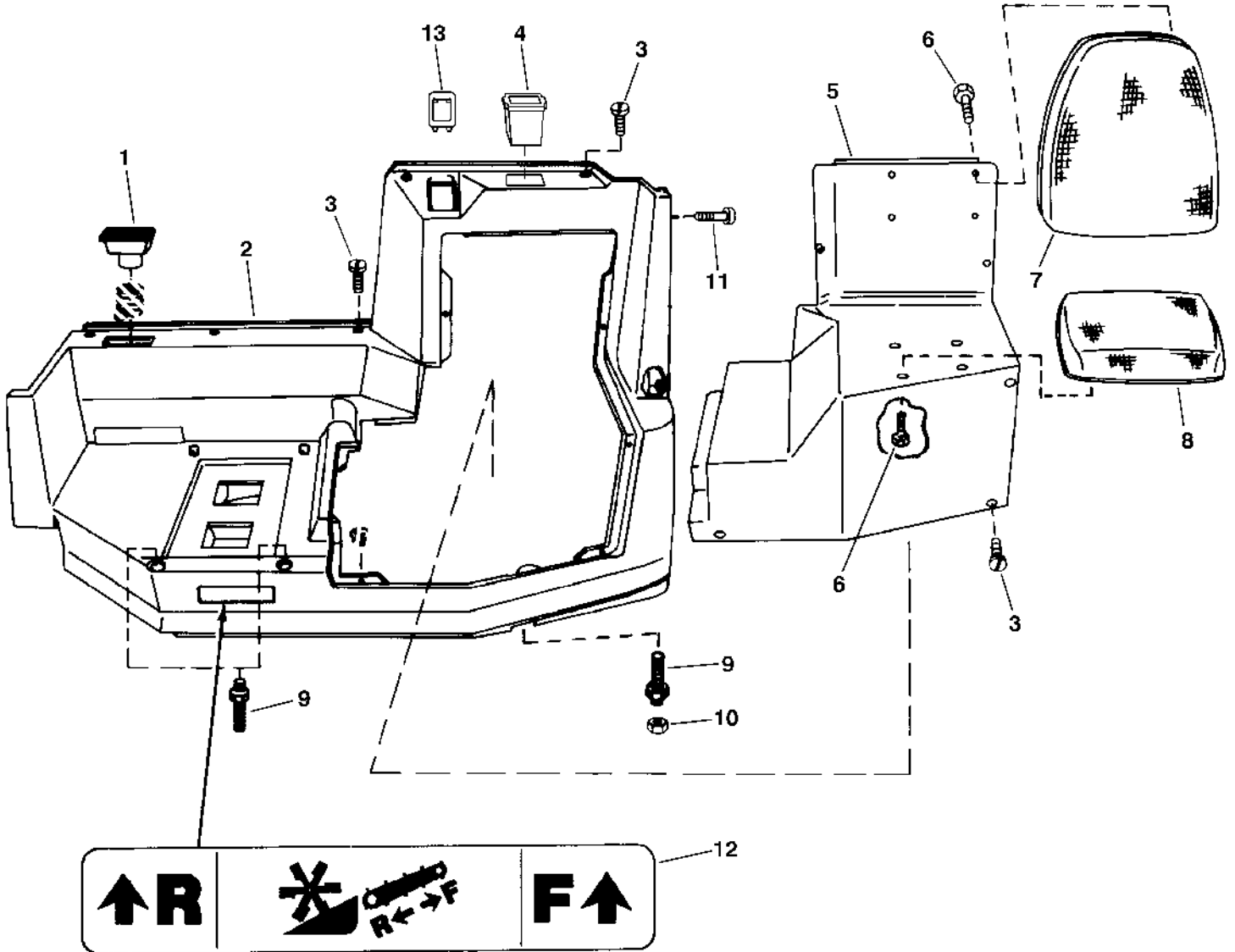
HP3833

FEEDER HOUSE REVERSER FOOT CONTROL - CONTINUED

KEY	PART NO.	PART NAME	QTY	SERIAL NO.	REMARKS
1	11M7082	COTTER PIN	1		
2	R65569	PIN	1		2.500 X 25 MM
3	19M7866	SCREW	4		M8 X 20
4	H134489	BEZEL	1		(SUB H153480)
	H153480	BEZEL	1		
5	H134488	PEDAL	1	-680100	
	H153479	PEDAL	1	680101-	
6	11M7081	COTTER PIN	1		2.500 X 20 MM
7	H133210	SEAL	1		
8	T16193	PIN	1		6.248 X 29.362 MM (0.246" X 1-5/32")
9	H130646	YOKE	1		
10	14M7273	NUT	2		
11	H133208	SUPPORT	1		
12	AH128452	PUSH PULL CABLE	1		
13	R73384	CLAMP	1		
14	AH127383	YOKE	1		
15	11M7082	COTTER PIN	1		2.500 X 25 MM
16	H84948	SPRING	1		
17	H127749	BOLT	1		
18	AE23791	CHAIN LINK	1		
19	H140836	BELLCRANK	1		BELLCRANK HAS TWO CONNECTING HOLES
20	24M7054	WASHER	1		6.400 X 12 X 1.600 MM
21	24M7240	WASHER	1		13 X 25 X 3 MM

3E15

SEAT SHROUDS AND PASSENGER SEAT
 HP7236 -UN-04DEC97



HP7236

3E16

OPERATOR'S STATION

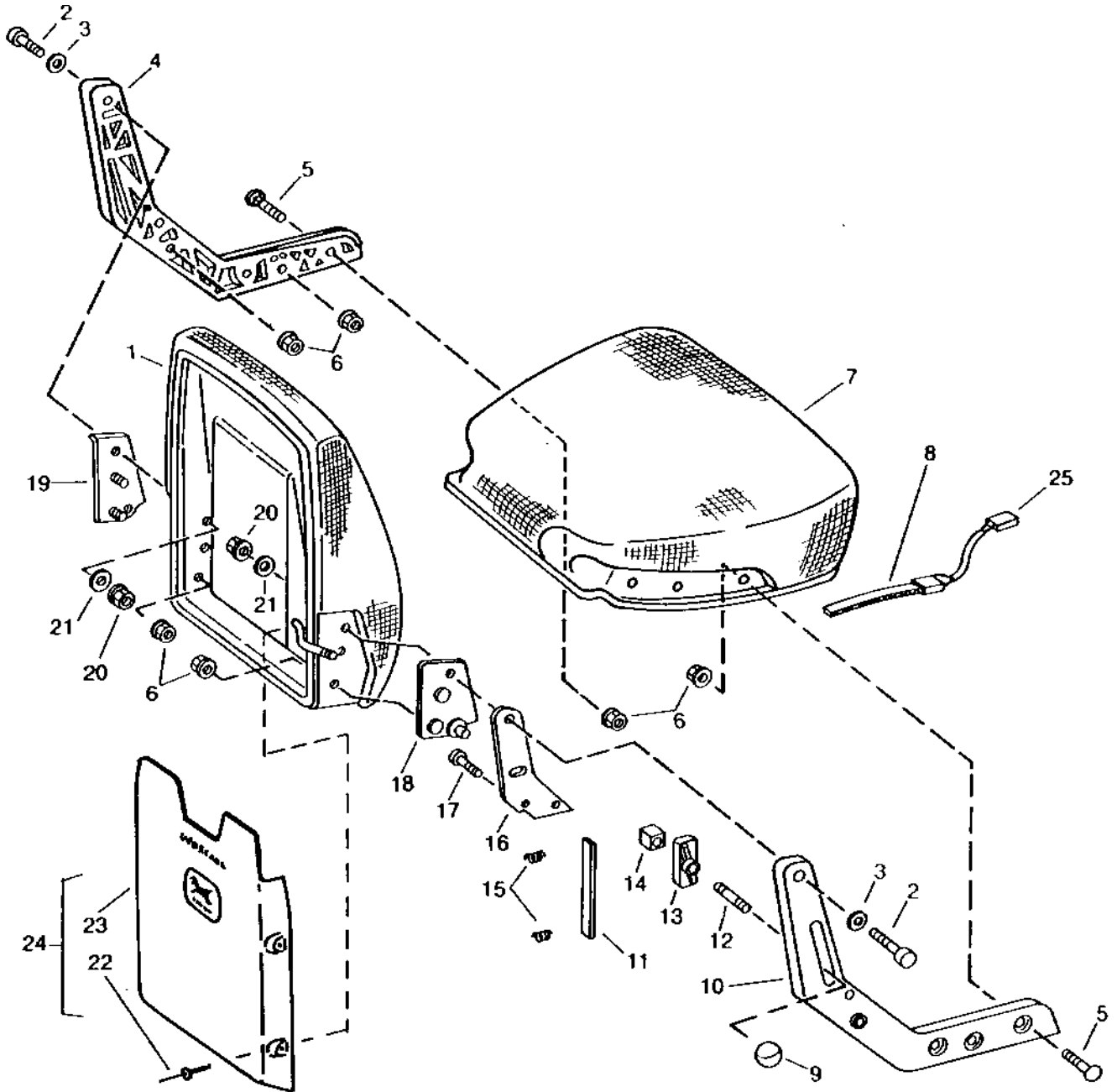
SEAT SHROUDS AND PASSENGER SEAT - CONTINUED

KEY	PART NO.	PART NAME	QTY	SERIAL NO.	REMARKS
1	AH134724	BOX	1		
2	AH161928	CONSOLE	1	680113-	
	AH156642	CONSOLE	1	-680112	
3	H165691	SCREW	10		M6 X 20, (SUB FOR H131591 OR H168780)
4	H168433	CONTAINER	1		
5	H160596	COVER	1	-680112	
	H167912	SPINDLE	1	680113-	
6	19M8331	CAP SCREW	8		
7	AH147066	SEAT	1		
8	AH138111	SEAT	1		
9	H168781	STUD	6		(SUB FOR H150455)
10	14M7296	FLANGE NUT	4		M10
11	H132451	CAP SCREW	3		
12	H137823	PANEL	1		FEEDER HOUSE REVERSER DECAL - FORWARD, REVERSE
13	H161091	BEZEL	1	-680112	
	H168432	BEZEL	1	680113-	
..	AH138666	KIT	1		INCLUDES AH138111 AND INSTRUCTIONS FOR INSTALLATION ON PRE- 1991 MACHINES
..	BH78343	COMPLETE GOODS/SHIP. BUNDLE	1		PASSENGER SEAT

3E17

OPERATOR'S SEAT AND BACKREST

HP3132 -UN-01JAN94



HP3132

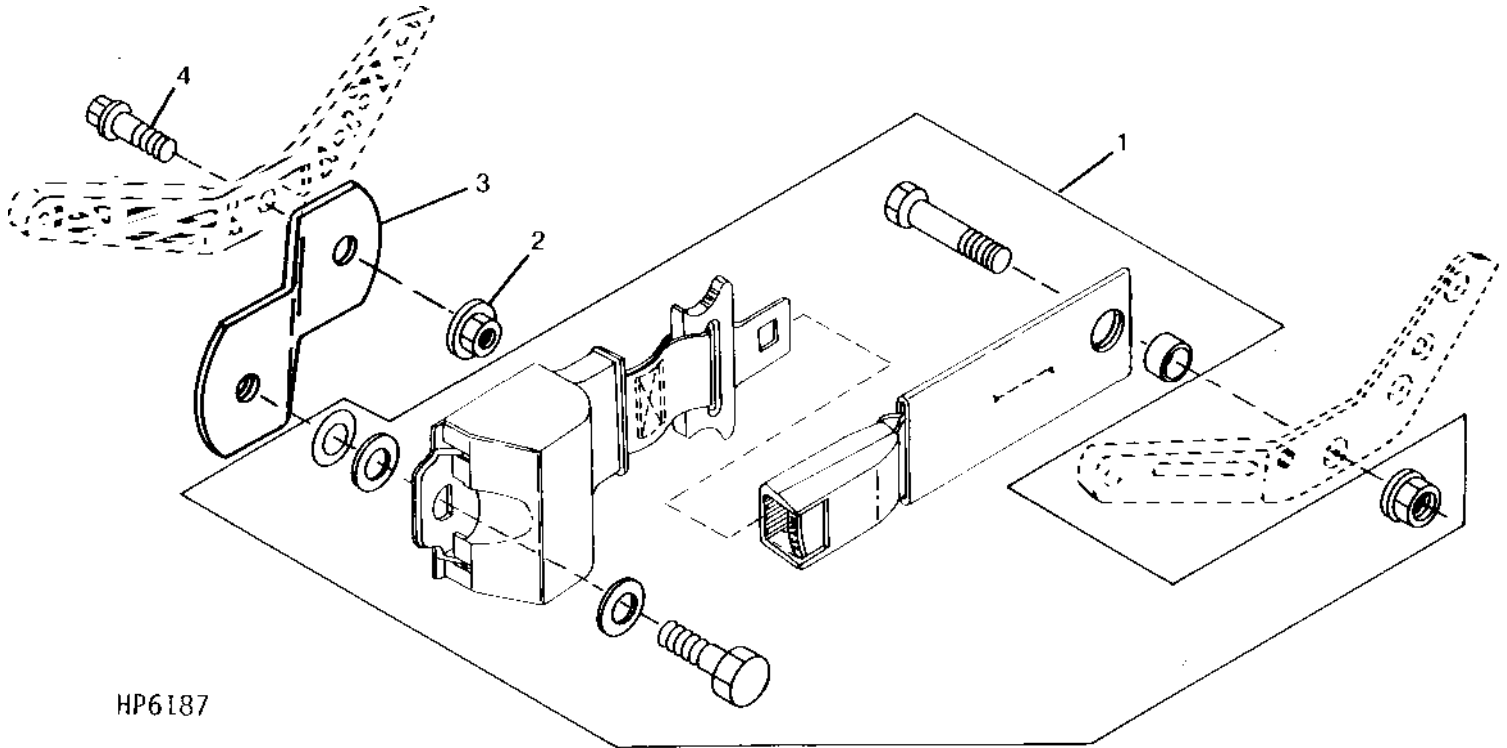
OPERATOR'S SEAT AND BACKREST - CONTINUED

KEY	PART NO.	PART NAME	QTY	SERIAL NO.	REMARKS
1	AR71107	CUSHION	1		
2	R59019	SCREW	2		
3	T519T	WASHER	2		
4	R89143	SUPPORT	1		
5	R59015	GANG BOLT	4		
6	N10215	LOCK NUT	8		
7	AH145065	SEAT	1		
8	AH127662	SWITCH	1		
9	R60458	KNOB	1		
10	R89142	SUPPORT	1		
11	R59009	REINFORCEMENT	1		
12	R59012	WELD STUD	1		
13	R105581	ADJUSTER	1		
14	R59018	BUSHING	1		
15	R31890	SPRING	2		
16	R59011	PLATE	1		
17	37H120	SCREW	1	0.164" X 1/2"	
18	AR71108	PLATE	1		
19	AR71109	PLATE	1		
20	H99923	LOCK NUT	2		
21	R53665	WASHER	2		
22	RIVET	1		
23	HOLDER	1		
24	RE13541	KIT	1		
25	R78053	PIN CONTACT CONNECTOR BODY	1		(PKG OF 3)
	R78063	TERMINAL NIPPLE	1		(PKG OF 40)
	R78058	PIN CONTACT	1		(PKG OF 40)
..	RE12049	CUSHION	1		INCLUDES MANUAL HOLDER

3E19

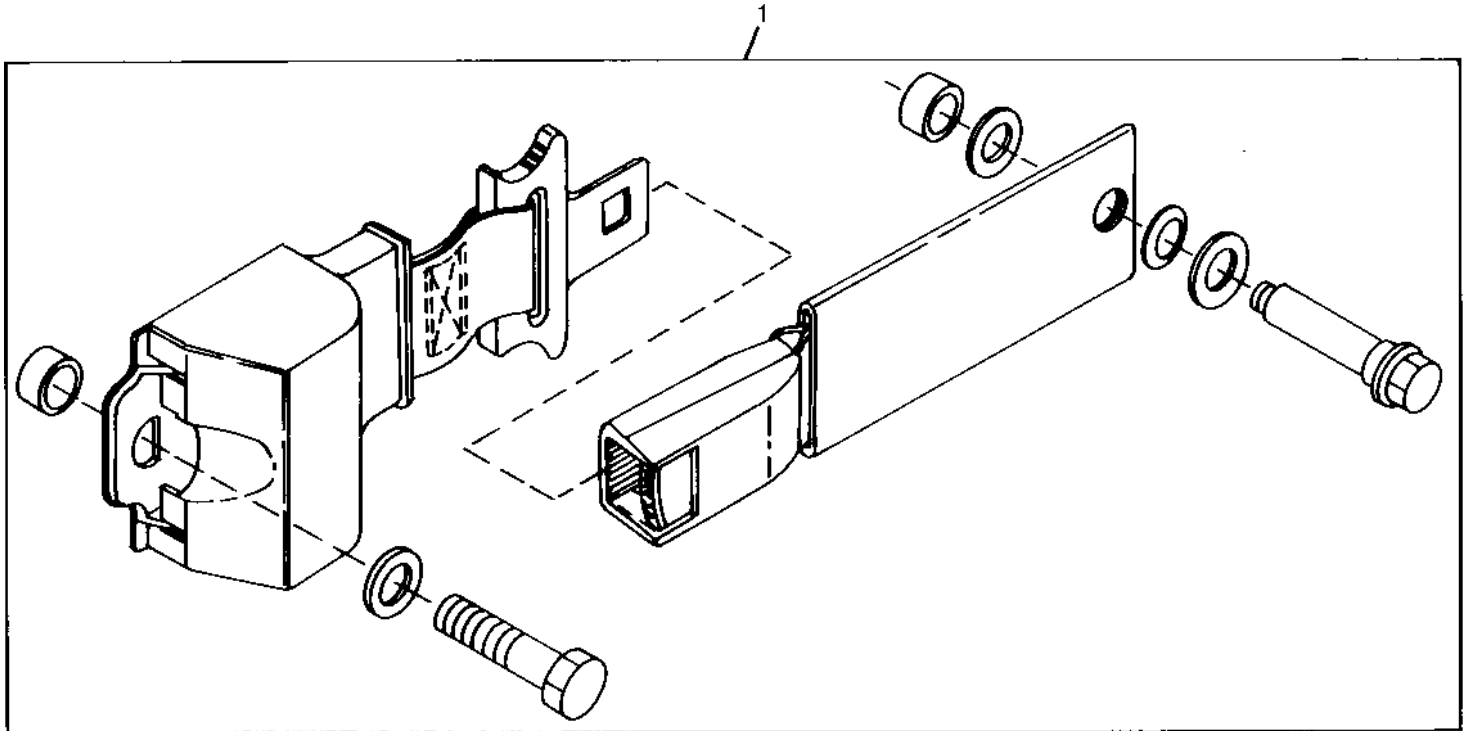
OPERATOR'S STATION

OPERATOR'S SEAT SEATBELT
 HP6187 -UN-18OCT95



KEY	PART NO.	PART NAME	QTY	SERIAL NO.	REMARKS
1	AH146742	SEAT BELT	1		
2	14M7400	LOCK NUT	1		M10
3	AH147030	BRACKET	1		(MOUNTING)
4	19M7835	SCREW	1		M10 X 35
..	BH81159	COMPLETE GOODS/SHIP. BUNDLE	1		RETROFIT SEAT BELT KIT - FOR ALL MACHINES PRIOR TO 1996 MODEL YEAR

TRAINING SEAT SEATBELT
 HP6188 -UN-03OCT95



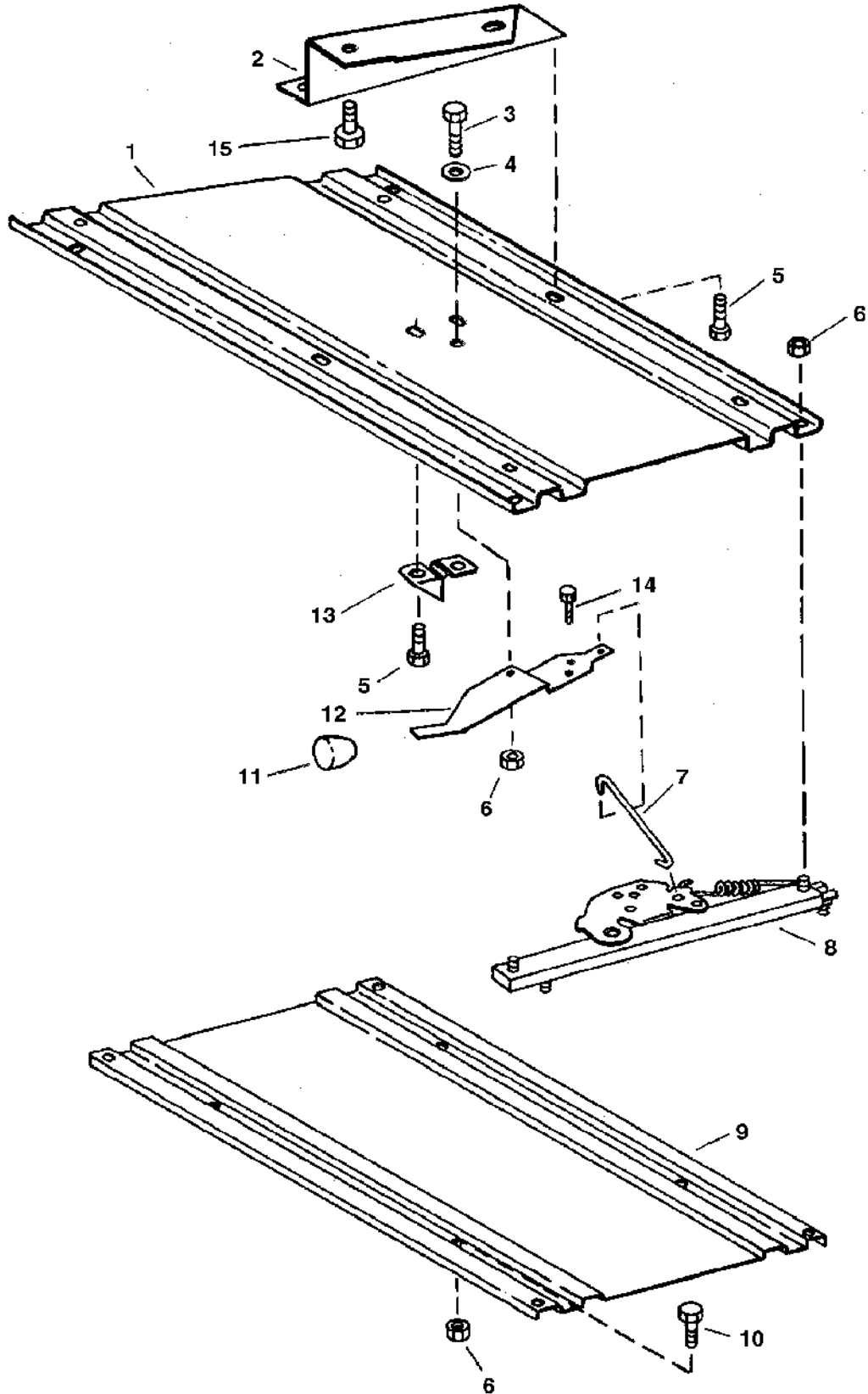
HP6188

KEY	PART NO.	PART NAME	QTY	SERIAL NO.	REMARKS
1	AH147153	SEAT BELT	1		

3E21

OPERATOR'S STATION

SEAT ADJUST FORE-AND-AFT
HP6861 -UN-18AUG97



HP6861

SEAT ADJUST FORE AND AFT - CONTINUED

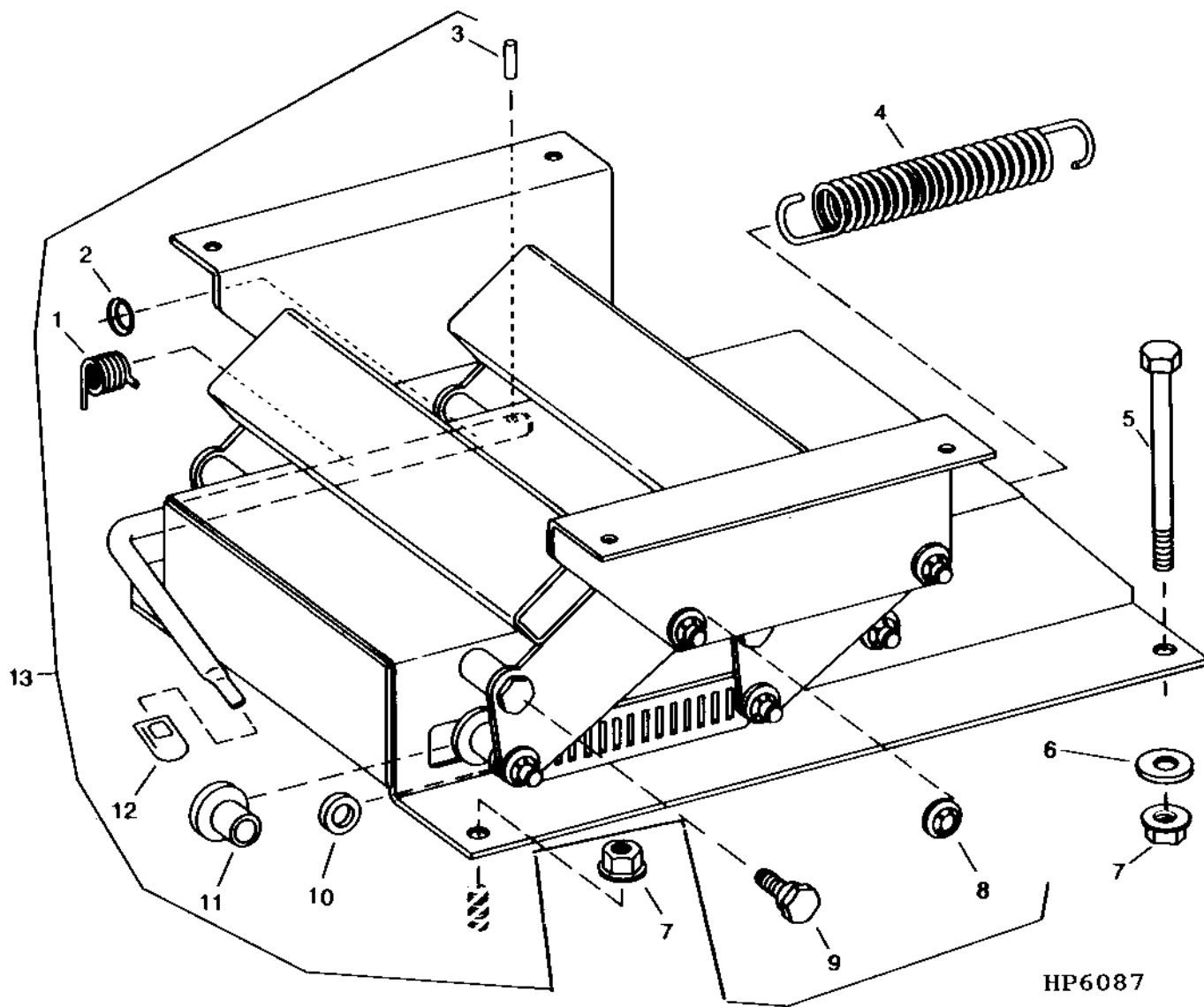
KEY	PART NO.	PART NAME	QTY	SERIAL NO.	REMARKS
1	AH116313	PLATE	1		
2	AH110674	BRACKET	2		
3	19M7868	SCREW	1		M8 X 30
4	24H1296	WASHER	1		11/32" X 1-3/8" X 0.134"
5	19M7866	SCREW	6		M8 X 20
6	14M7298	FLANGE NUT	13		
7	H96391	PIN	1		
8	AH122648	ADJUSTER	2		
9	H115987	PLATE	1		
10	19M8331	CAP SCREW	4		M8 X 20
11	H83055	KNOB	1		
12	H141289	LEVER	1		
13	H144274	BUMPER	1		
14	37M7089	SCREW	3		M6 X 12
15	19H1900	CAP SCREW	4		

3E23

OPERATOR'S STATION

CAB SEAT HEIGHT ADJUSTER (VERTICAL CONTROL)

HP6087 -UN-07JUN95



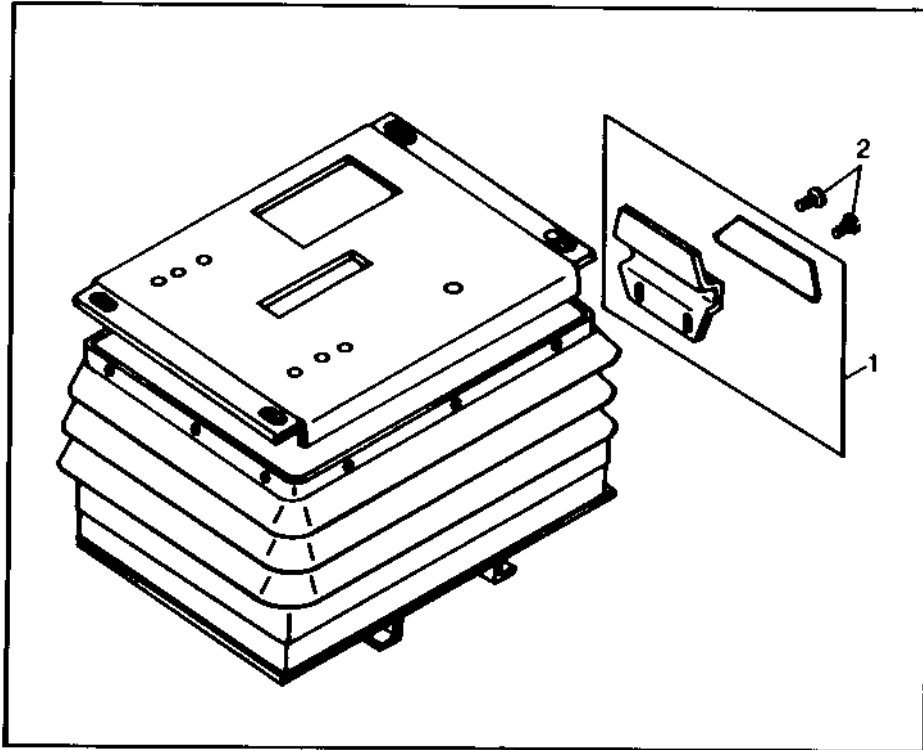
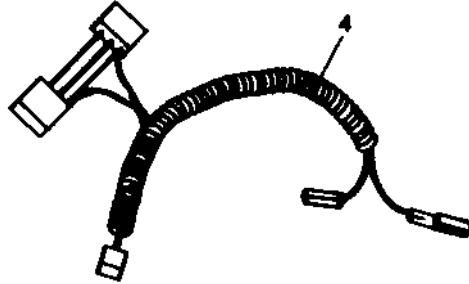
HP6087

CAB SEAT HEIGHT ADJUSTER (VERTICAL CONTROL) - CONTINUED

KEY	PART NO.	PART NAME	QTY	SERIAL NO.	REMARKS
1	T62828	SPRING	1		
2	P48925	SHIM	AR		
3	34H262	SPRING PIN	1		
4	H137417	LEAF SPRING	2		
5	H132452	CAP SCREW	2	M10 X 200	
6	24M7178	WASHER	2	10.500 X 30 X 2.500 MM	
7	14M7296	FLANGE NUT	4	M10	
8	H86886	NUT	AR	12.700 MM, (SUB FOR E58183)	
9	H137418	BOLT	4	12.700 X 24.800 MM	
10	H137421	WASHER	2		
11	H137420	HALF SLEEVE	2		
12	T55201	GRIP	1		
13	AH113301	ADJUSTER	1	-680112	
	AH161927	ADJUSTER	1	680113-	

3F1

AIR SEAT SUSPENSION
HP5882 -UN-18OCT94



HP5882

3

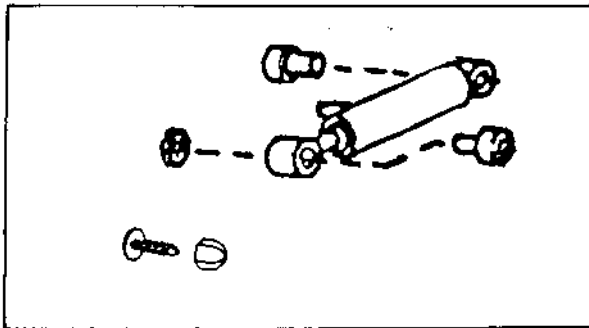
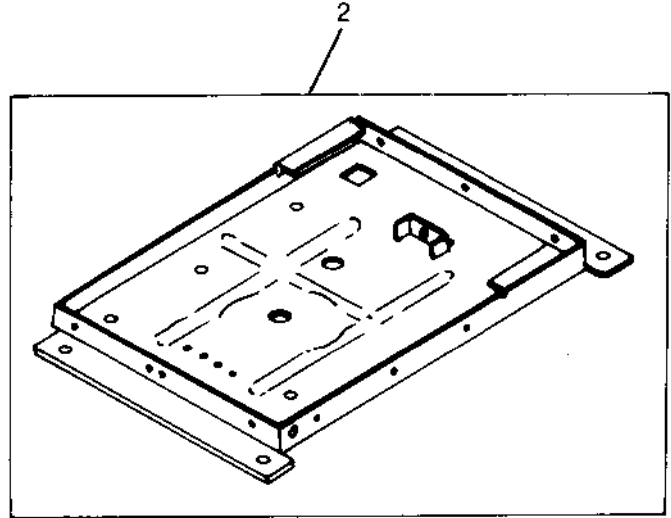
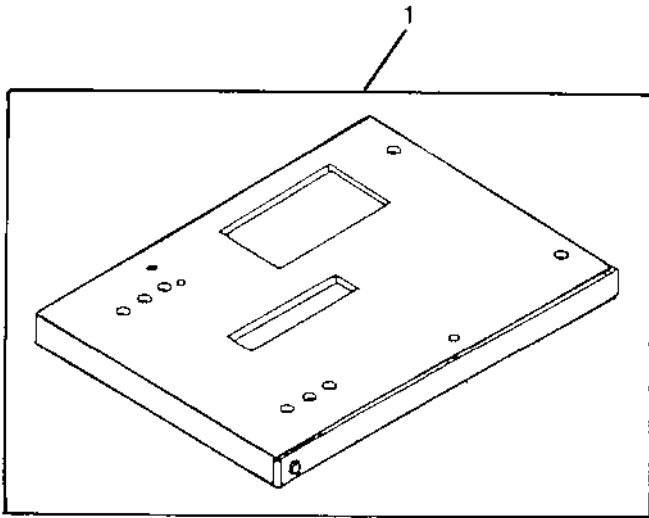
AIR SEAT SUSPENSION - CONTINUED

KEY	PART NO.	PART NAME	QTY	SERIAL NO.	REMARKS
1	AH144778	PANEL	1		
2	37M7089	SCREW	2	M6 X 12	
3	AH157491	SEAT SUSPENSION	1		
4	AH146032	WIRING HARNESS	1		
..	BH81076	COMPLETE GOODS/SHIP. BUNDLE	1		AIR RIDE SEAT

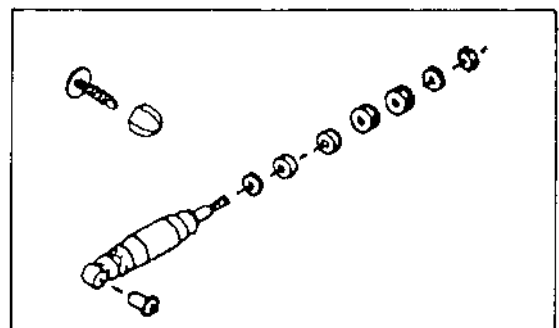
3F3

OPERATOR'S STATION

AIR SEAT SUSPENSION KITS
HP6191 -UN-08OCT97



HP6191



3F4

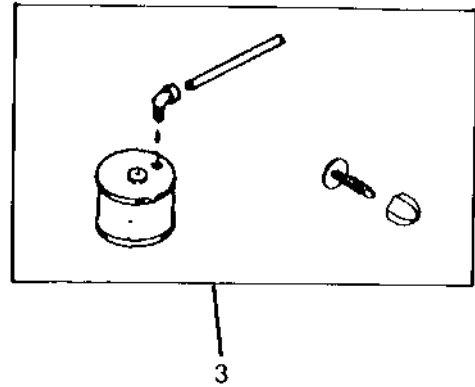
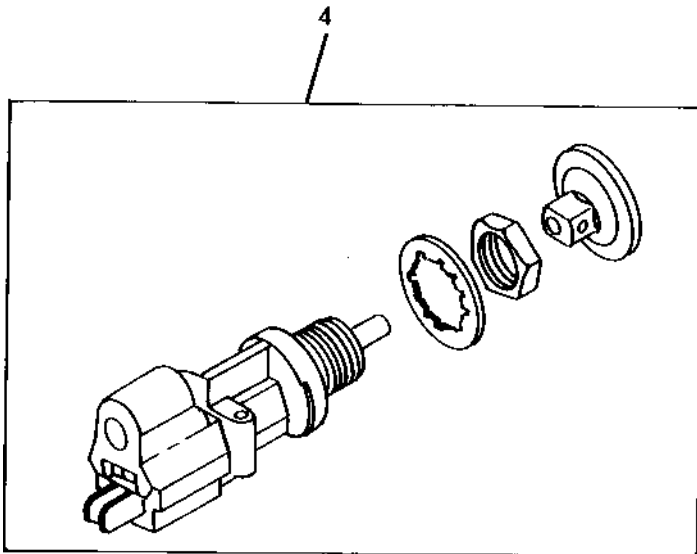
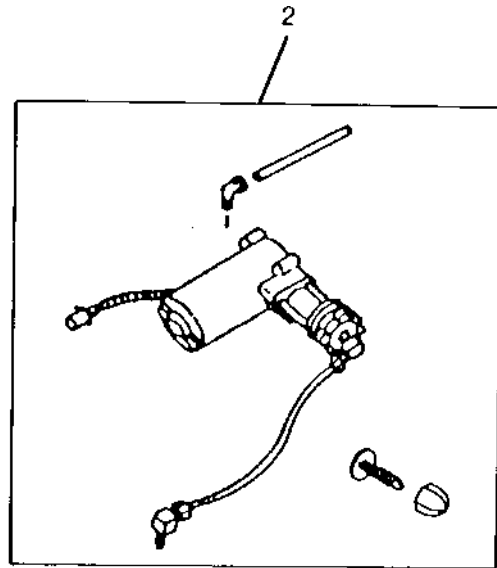
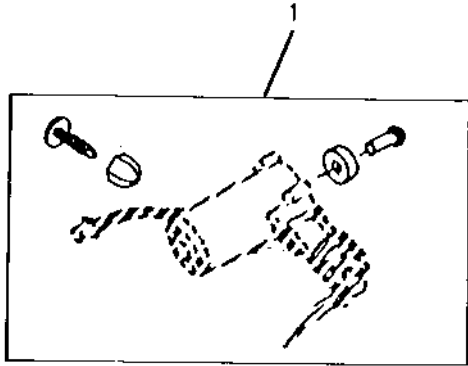
OPERATOR'S STATION

AIR SEAT SUSPENSION KITS - CONTINUED

KEY	PART NO.	PART NAME	QTY	SERIAL NO.	REMARKS
1	AH146234	KIT	1		UPPER HOUSING
2	AH136937	KIT	1		LOWER HOUSING
3	RE65695	SEAT SHOCK ABSORBER KIT	1		SHOCK ABSORBER
4	RE52553	SEAT SHOCK ABSORBER KIT	1		FORE/AFT

3F5

AIR SEAT SUSPENSION KITS
HP6192 -UN-03OCT95



HP6192

3F6

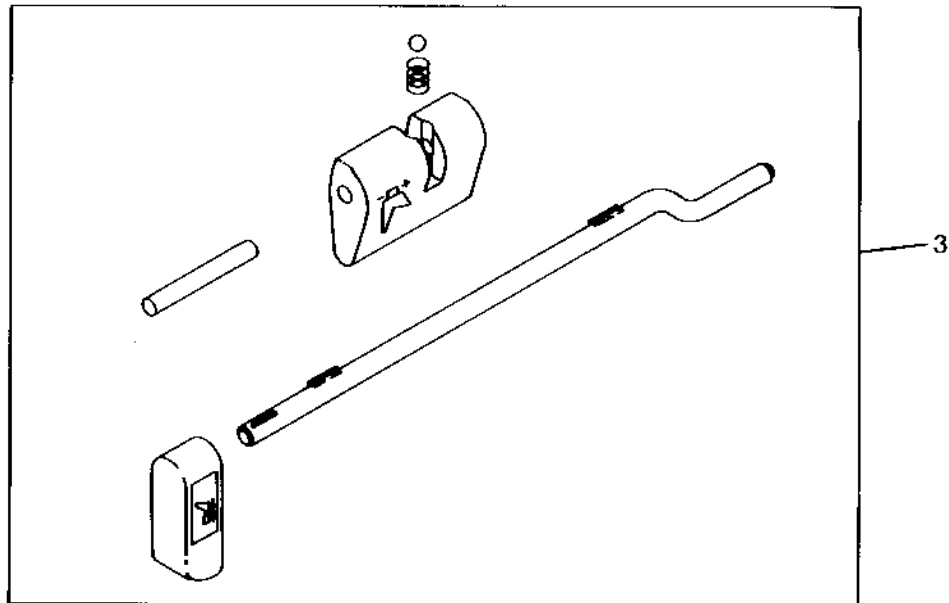
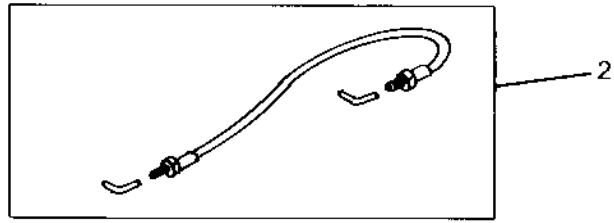
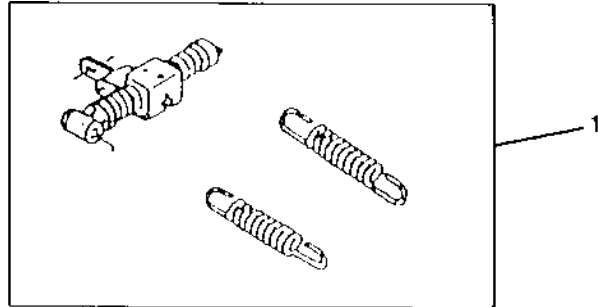
OPERATOR'S STATION

AIR SEAT SUSPENSION KITS - CONTINUED

KEY	PART NO.	PART NAME	QTY	SERIAL NO.	REMARKS
1	RE65693	COMPRESSOR FILTER KIT	1		
2	AH136929	KIT	1		COMPRESSOR
3	RE65694	AIR SPRING SEAT KIT	1		AIR SPRING
4	AH136930	KIT	1		HT. ADJ. SWITCH VALVE

3F7

AIR SEAT SUSPENSION KITS
HP6193 -UN-03OCT95



HP6193

3F8

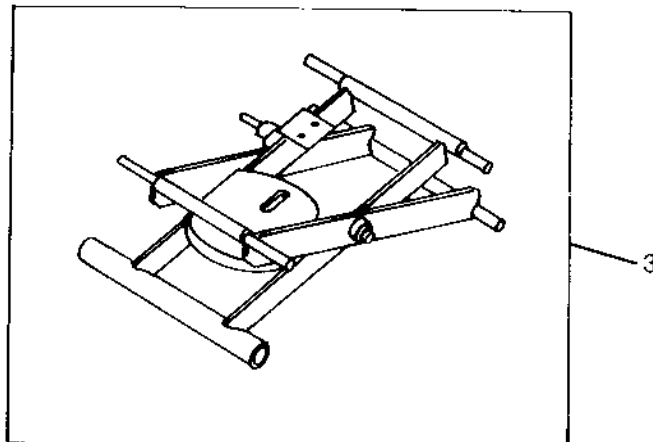
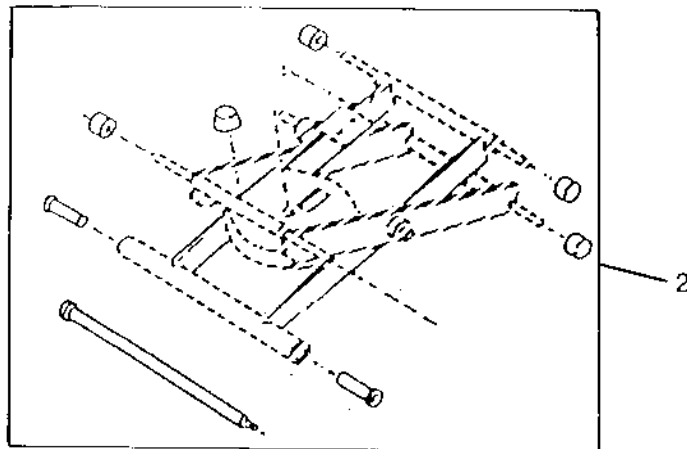
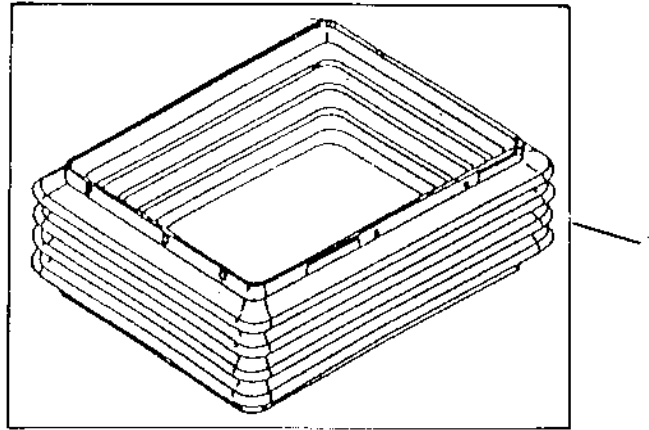
OPERATOR'S STATION

AIR SEAT SUSPENSION KITS - CONTINUED

KEY	PART NO.	PART NAME	QTY	SERIAL NO.	REMARKS
1	AH157634	KIT	1		FORE/AFT ISOLATOR
2	AH136935	KIT	1		RIDE FIRMNESS ADJ. CABLE
3	AH157557	KIT	1		KNOB

3F9

AIR SEAT SUSPENSION KITS
HP6194 -UN-03OCT95



HP6194

3F10

OPERATOR'S STATION

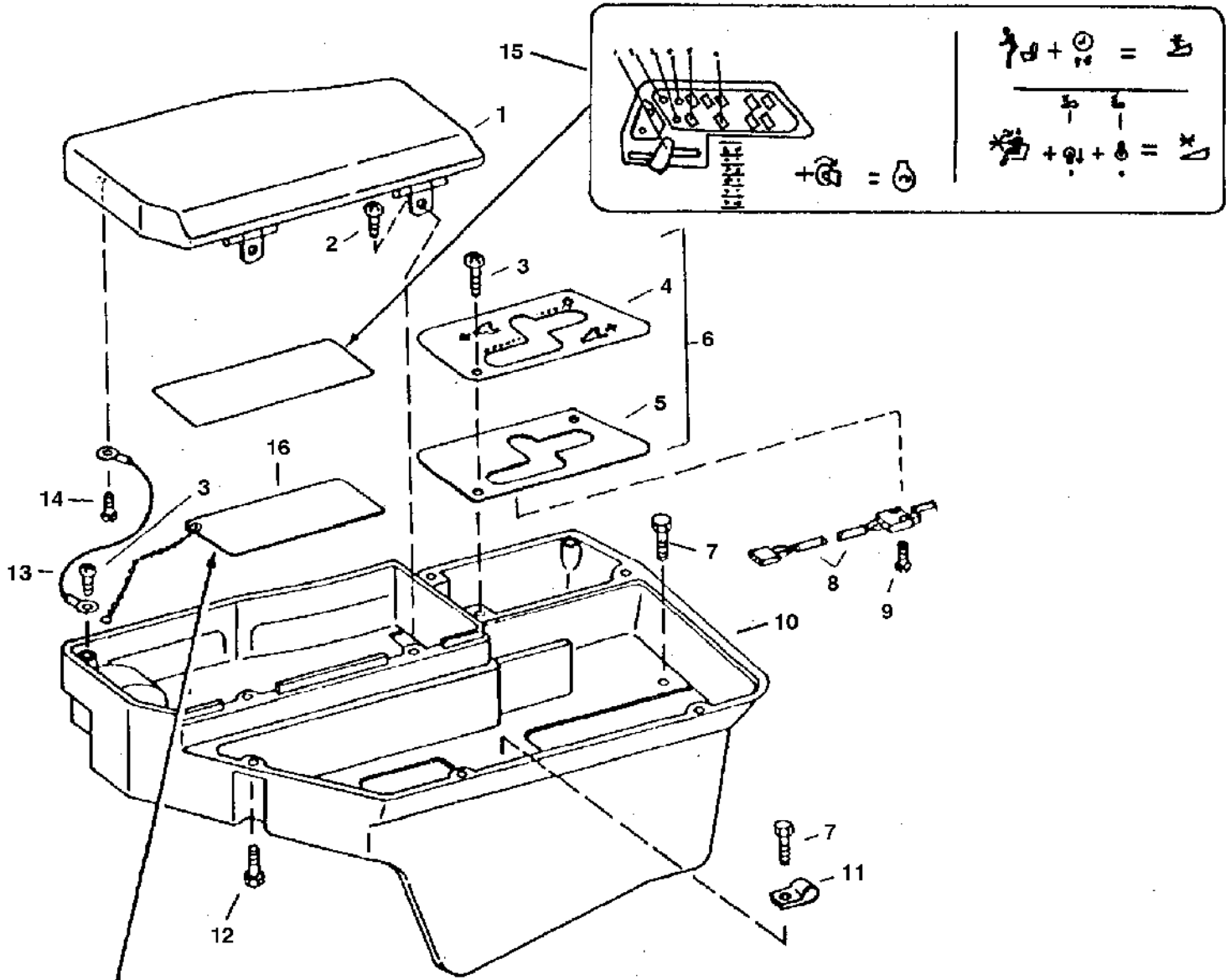
AIR SEAT SUSPENSION KITS - CONTINUED

KEY	PART NO.	PART NAME	QTY	SERIAL NO.	REMARKS
1	RE52555	SEAT SUSPENSION BOOT KIT	1		
2	RE63832	SEAT BEARING ROLLER KIT	1		
3	AH136936	KIT	1		

3F11

OPERATOR'S STATION

ARMREST WITH GLOVE BOX (R.H.)
HP6862 -UN-18AUG97



COMBINE SETTING INFORMATION															
	1	2	3	4	5	6	7	8	9	10	11	12	13		
Barley	350	1	500	0	7/8	7/8	1/4	Roll (Roll Bar)	800	1	1000	0	5/8	3/4	1/4
Corn Dry	300	1	1000	7/16	5/8	3/4	7/16	Roll (Roller)	800	1	1000	0	5/8	3/4	1/4
Corn Wet	380	1	1300	7/16	5/8	3/4	7/16	Borghum (Roller)	800	1	1000	0	1/2	5/8	1/4
Little Beans	180	10	1000	0	5/8	3/4	7/16	Boysen	200	1	1000	0	9/16	3/4	3/8
Dark	80	1	850	0	5/8	3/4	1/4	Darkness	750	1	1000	0	1/2	5/8	1/4
Peas (Canada)	280	1	700	0	3/8	1/2	3/16	Wheat	600	1	1050	0	5/8	3/4	1/4

HP6862

3F12

OPERATOR'S STATION

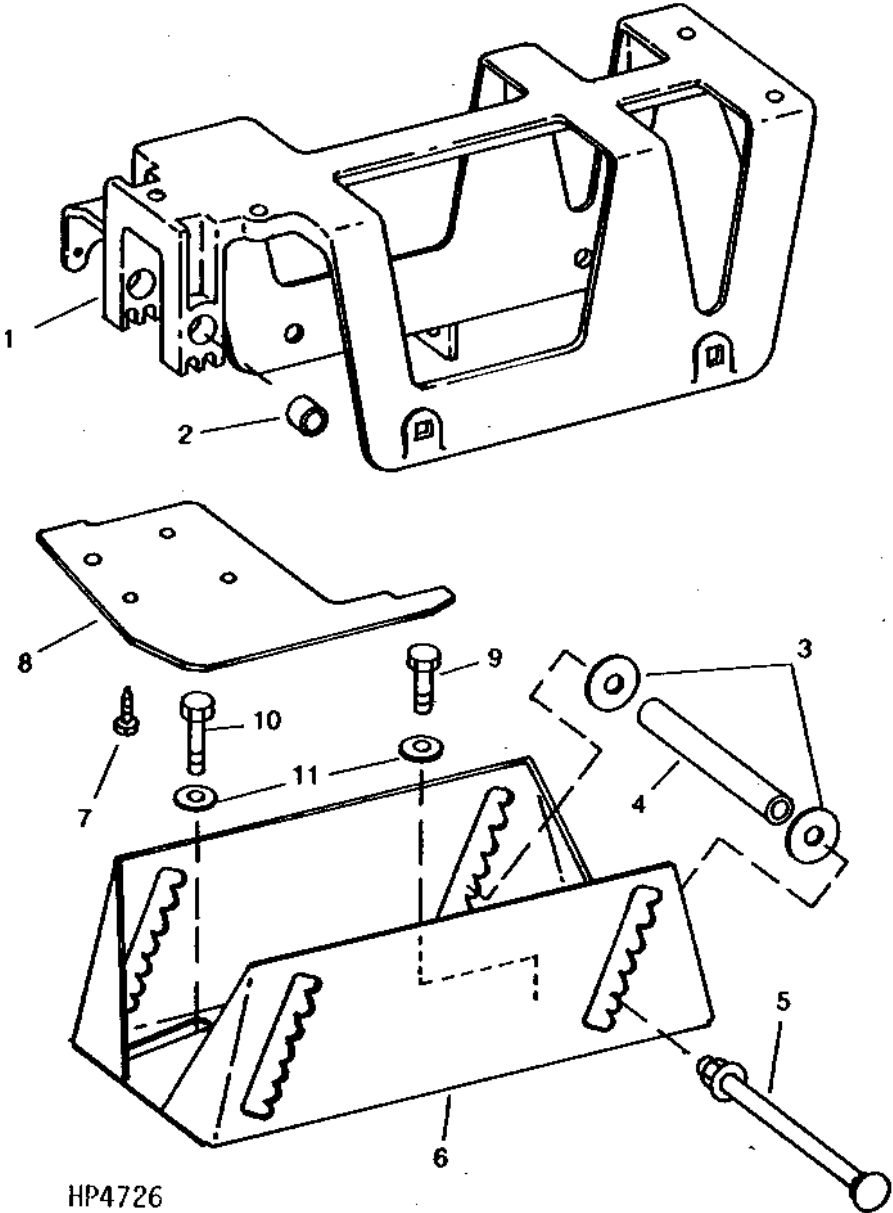
ARMREST WITH GLOVE BOX (R.H.) - CONTINUED

KEY	PART NO.	PART NAME	QTY	SERIAL NO.	REMARKS
1	AH117067	COVER	1		
	AH161925	PANEL	1	(SUB AH161925)	
2	H123995	SCREW	2		
3	H111706	SCREW	2		
4	H145082	PANEL	1		
5	GUIDE	1		
6	AH139119	DRAWER SLIDE	1		
7	37M7091	SCREW	4	M6 X 25	
8	AH163708	NEUTRAL START SWITCH	1	(SUB FOR AH127390)	
9	37M7066	SCREW	2		
10	H168425	CONSOLE	1		
11	H77358	CLIP	1		
12	H111705	SCREW	4		
13	AH124857	WIRING LEAD	1		
14	37M7215	SCREW	1		
15	H146315	LABEL	1		ENGINE START AND SEAT SAFETY SWITCH DECAL
16	AH156402	INSTRUCTION PLATE	1		

3F13

ARMREST ADJUSTING MECHANISM (R.H.)

HP4726 -UN-01JAN94



3F14

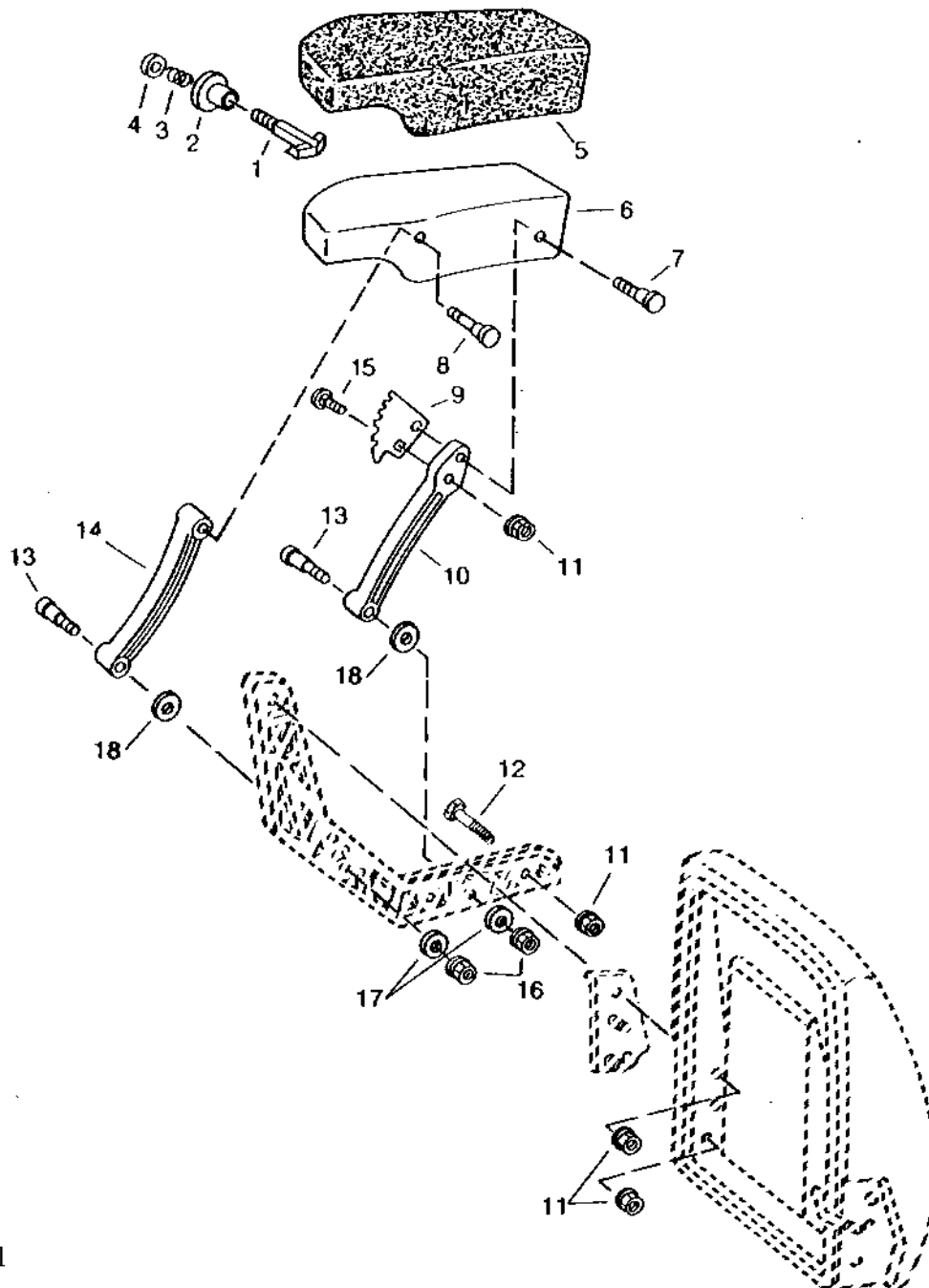
OPERATOR'S STATION

ARMREST ADJUSTING MECHANISM (R.H.) -CONTINUED

KEY	PART NO.	PART NAME	QTY	SERIAL NO.	REMARKS
1	H137854	SUPPORT	1		
2	H96455	BUSHING	2		
3	H137858	WASHER	4		
4	H137856	SPACER	2		
5	H137857	BOLT	2		
	H137859	FLANGE NUT	2		
6	H137855	SUPPORT	1		
7	37M7165	SCREW	3		
8	H143439	COVER	1		
9	19M8331	CAP SCREW	2	M8 X 20	
10	19M8330	SCREW	1	M8 X 35	
11	24M7207	WASHER	3		

3F15

ARMREST (L.H.)
HP3131 -UN-01JAN94



HP3131

3F16

OPERATOR'S STATION

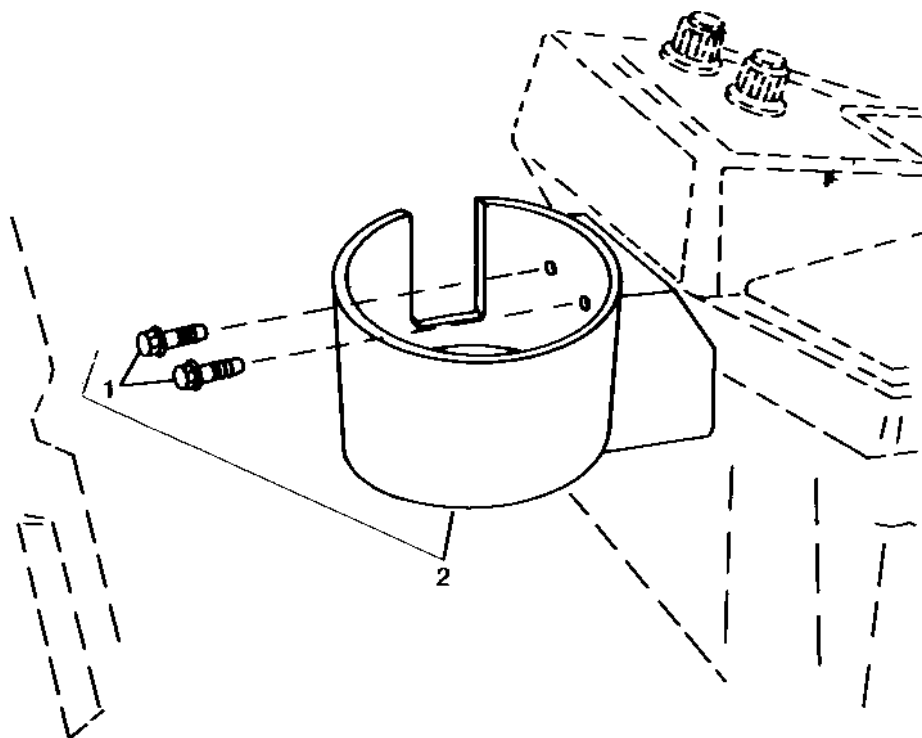
ARMREST (L.H.) - CONTINUED

KEY	PART NO.	PART NAME	QTY	SERIAL NO.	REMARKS
1	R59070	SHAFT KEY	1		
2	R59028	BUSHING	1		
3	A4741R	SPRING	1		
4	R59029	KNOB	1		
5	H120099	CUSHION	1	-28SE99	
	H168434	PANEL	1	28SE98-	
6	R58816	ARMREST	1		
7	R59021	PIN	1		
8	R59023	PIN	1		
9	R61862	PLATE	1		
10	R59020	LINK	1		
11	N10215	LOCK NUT	1		
12	R59015	GANG BOLT	1		
13	R59022	SCREW	2		
14	R59013	LINK	1		
15	03H1765	BOLT	1		
16	H99923	LOCK NUT	2		
17	R53665	WASHER	2		
18	R27441	WASHER	2		

3F17

OPERATOR'S STATION

CUP HOLDER
HP5912 -UN-17DEC94



HP5912

KEY	PART NO.	PART NAME	QTY	SERIAL NO.	REMARKS
1	H151166	SCREW	2	M6 X 16	
2	AH145616	HOLDER	1		

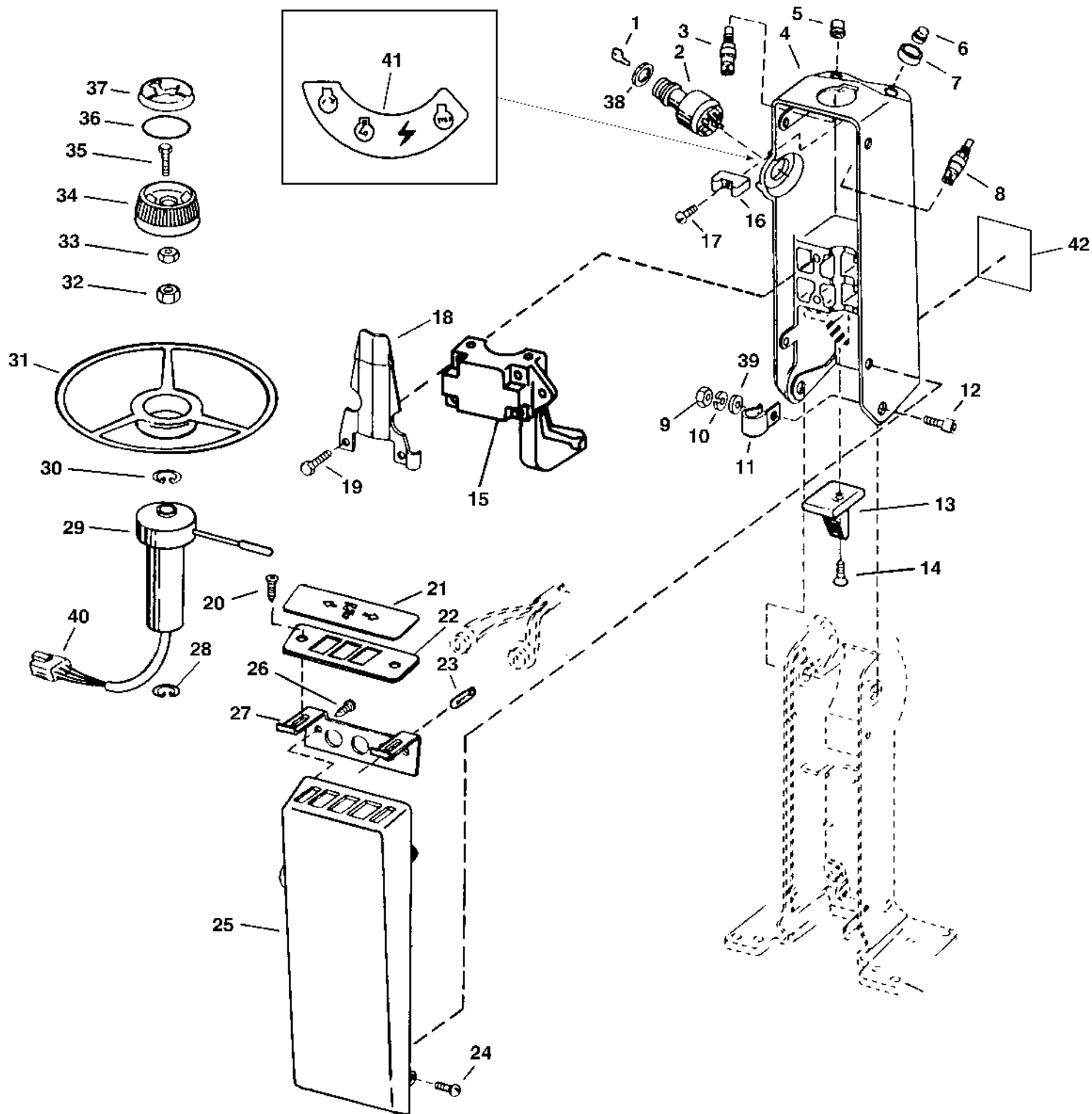
MEMORANDA

3F18

OPERATOR'S STATION

STEERING COLUMN (UPPER)

HP6825 -UN-05SEP97



HP6825

3F19

OPERATOR'S STATION

STEERING COLUMN (UPPER) - CONTINUED

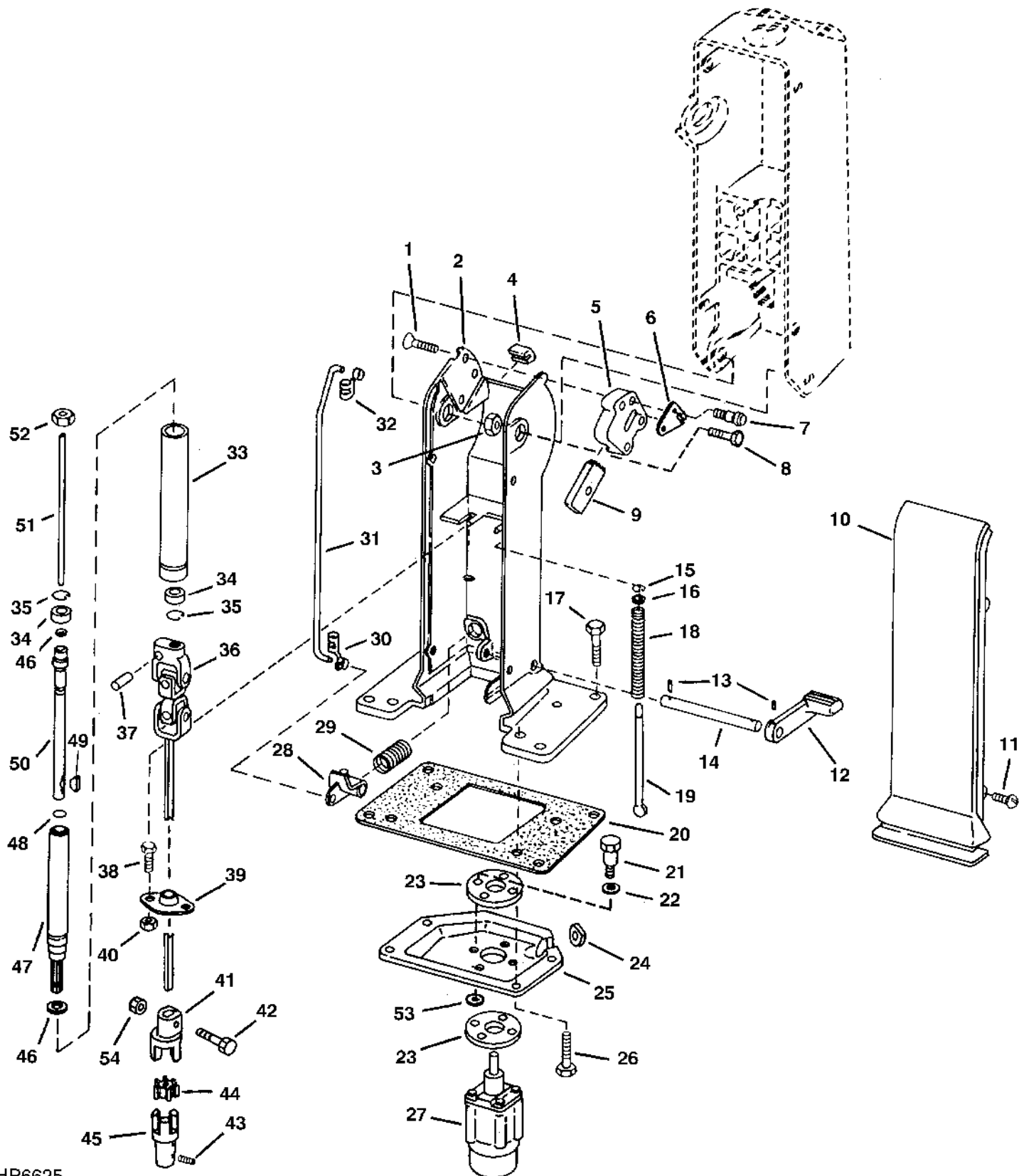
KEY	PART NO.	PART NAME	QTY	SERIAL NO.	REMARKS
1	AR51481	KEY	1		
2	AH108816	SWITCH	1		KEY START SWITCH
3	R39554	SWITCH	1		HORN BUTTON
4	H152171	HOUSING	1		(SUB FOR H113858 OR H165292)
5	T55501	CAP	1		
6	T55585	CAP	1		
7	H132895	GUARD	1		
8	R39554	SWITCH	1		ETHER AID START BUTTON
9	14M7274	NUT	2		
10	12M7066	LOCK WASHER	2		
11	AH96317	CLIP	1		
12	H107687	SCREW	2		
13	H110812	GEAR	1		
14	H133205	SCREW	2		
15	H150383	CLAMP	1		
16	H113863	GUIDE	1		
17	37M7071	SCREW	1		
18	AH129255	GUARD	1		
19	19M7800	SCREW	4		M8 X 50
20	H132899	SCREW	1		
21	H146392	PANEL	1		
22	H146391	PANEL	1		
23	AA27536	BULB	2		
24	H165693	SCREW	4		(SUB FOR H130192)
25	H123873	COVER	1	-15JU98	(SUB FOR H165291)
	H152170	COVER	1		(SUB FOR H165291)
26	37H6	SCREW	2		
27	H132897	RETAINER	1		
28	R26192	SNAP RING	1		
29	AH121340	TURN SIGNAL CONTROLLER	1		TURN SIGNAL
30	R26192	SNAP RING	1		
31	T22875	STEERING WHEEL	1		
32	14M7257	NUT	1		M20
33	14M7273	NUT	1		M8
34	H108822	KNOB	1		
35	19M7922	CAP SCREW	1		M8 X 40
36	B3690R	O-RING	1		
37	R47998	CAP	1		
38	R44342	NUT	1		
39	24M7040	WASHER	1		
40	AH116902	CONNECTOR	1		
41	H146042	LABEL	1		FOR IGNITION SWITCH
42	H156390	LABEL	1		

3F20

OPERATOR'S STATION

STEERING COLUMN (LOWER)

HP6625 -UN-27JAN97



HP6625

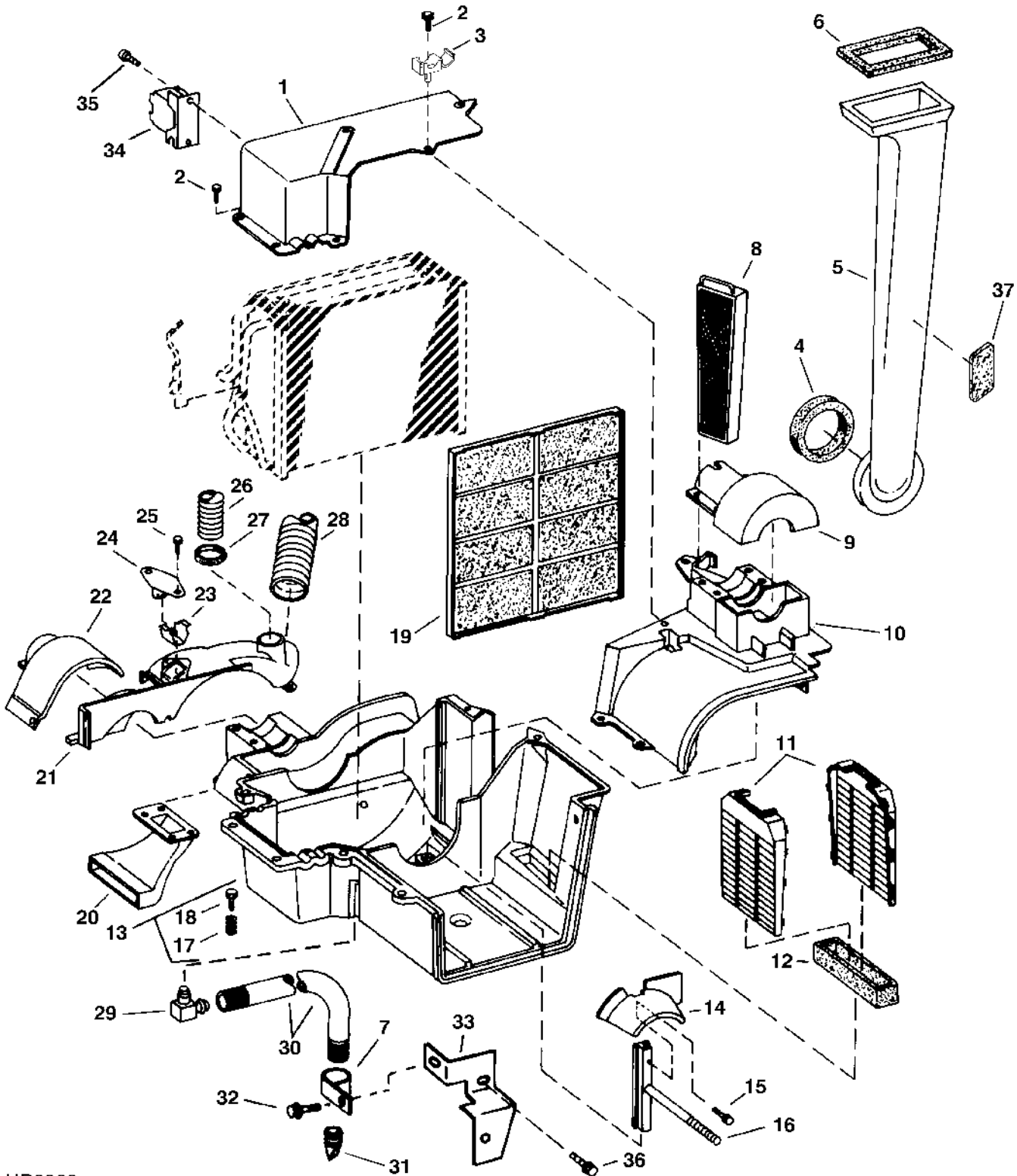
STEERING COLUMN (LOWER) - CONTINUED

KEY	PART NO.	PART NAME	QTY	SERIAL NO.	REMARKS
1	H133205	SCREW	3		
2	H123877	HOUSING	1	-15JU98	
	H152173	HOUSING	1		(SUB FOR H165294)
3	14M7274	NUT	2		M10
4	H107566	ISOLATOR	1		
5	H110310	HOUSING	1		
6	H110229	CRANK	1		
7	H131424	BOLT	2		
8	H107687	SCREW	2		
9	H141327	PAWL	1		
10	H152172	COVER	1		(SUB FOR H147192 OR H165293)
11	H165693	SCREW	4		(SUB FOR H130192)
12	H152174	PEDAL	1		(SUB FOR H107581)
13	34M7102	SPRING PIN	2		5 X 26 MM
14	H113864	PIN	1		
15	H133106	SNAP RING	1		
16	24M7055	WASHER	1		8.400 X 16 X 1.600 MM
17	19M7800	SCREW	4		M8 X 50
18	H113404	SPRING	1		
19	H113402	ROD	1		
20	H123874	SEALANT	1		
21	H110700	BOLT	4		
22	24M7028	WASHER	4		10.500 X 20 X 2 MM
23	H134353	ISOLATOR	2		
24	H108725	GROMMET	1		
25	H123875	SUPPORT	1		
26	19M7867	SCREW	4		M8 X 25
27	AH142441	PUMP	1		STEERING PUMP
28	H107582	ARM	1		
29	H107584	SPRING	1		
30	R26501	CLIP	1		
31	H131186	ROD	1		
32	R26524	CLIP	1		
33	H107567	HOUSING	1		
34	AH97920	BALL BEARING	2		
35	H80753	SNAP RING	2		
36	AH139065	UNIVERSAL JOINT, WITH SHAFT	1		
37	34M7124	SPRING PIN	1		8 X 30 MM
38	19M7866	SCREW	2		
39	AH129236	BEARING	1		
40	14M7166	LOCK NUT	2		M8
41	H162569	COUPLING	1		STEERING
42	H162055	SCREW	1	-675184	M8 X 40
	H164921	SCREW	1	675185-	
43	22M7072	SET SCREW	2		M6 X 10
44	H134624	ISOLATOR	1		
45	H134623	SPLINED COUPLING	1		
46	H99294	WASHER	2		
47	AH130429	STEERING SHAFT	1		
48	H36256	O-RING	1		
49	H137667	SHAFT KEY	1		
50	H107570	STEERING SHAFT	1		
51	H107586	PIN	1		
52	14M7257	NUT	1		M20
53	H141946	WASHER	4		
54	14M7396	LOCK NUT	1		M8, (SERVICE SUB FOR H137328)

3F22

OPERATOR'S STATION

AIR CONDITIONING AND HEATER HOUSING AND FILTERS
HP6863 -UN-18AUG97



HP6863

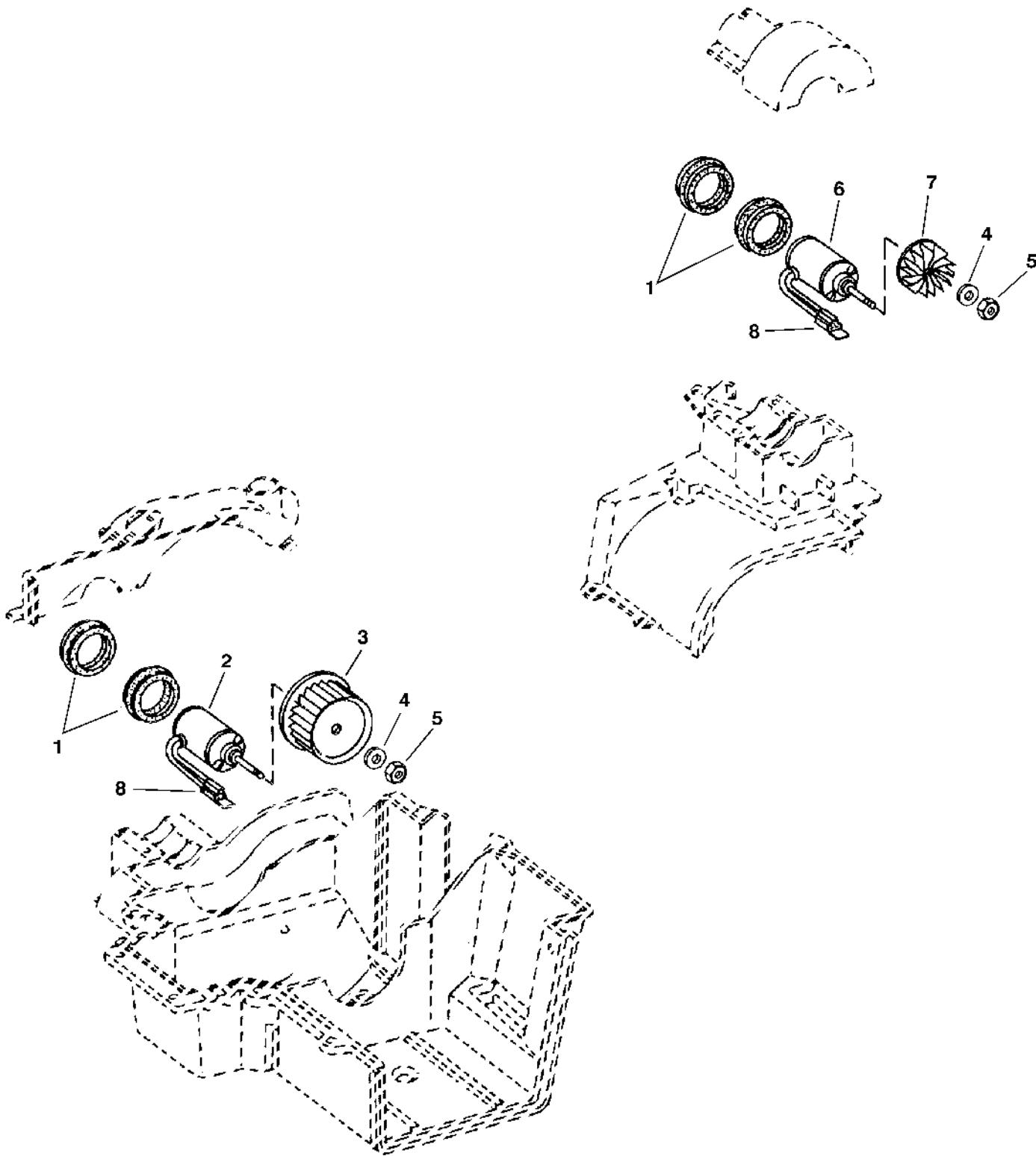
AIR CONDITIONING AND HEATER HOUSING AND FILTERS - CONTINUED

KEY	PART NO.	PART NAME	QTY	SERIAL NO.	REMARKS
1	H161021	HOUSING	1		
2	19M7862	SCREW	AR	M6 X 20	
3	H158830	CLIP	1	(SUB AH96317)	
4	H163397	SEAL	1		
5	H157566	AIR DUCT	1		
6	H153438	SEAL	1	(CUT FROM H88773)	
7	R46414	CLAMP	2		
8	AH115836	AIR FILTER	1		RECIRCULATING FILTER
9	H115031	COVER	1		
10	AH120546	HOUSING	1		
11	H114142	PRESCREENER	2		
12	H118619	SEAL	1		
13	AH138601	HOUSING	1	(SUB FOR AH122444)	
14	H127978	DUST SHIELD	1		
15	37M7089	SCREW	AR	M6 X 12	
16	AH134884	SUPPORT	1		
17	H119362	BUSHING	5		
18	19M7862	SCREW	AR	M6 X 20	
19	AH120547	FILTER	1	EVAPORATOR FILTER	
20	H126589	AIR DUCT	1		
21	H158525	HOUSING	1		
22	H126590	COVER	1		
23	H130091	SHIELD	1		
24	AH125505	RESISTOR	1		
25	H123998	SCREW	AR		
26	H118872	LINE	1		
27	TY22472	CLAMP	AR		
28	H118871	LINE	1		
29	H146429	FITTING	1		
30	H159636	TUBE	1		
31	H150385	CHECK VALVE	1		
32	19M7866	SCREW	1	M8 X 20	
33	H137326	SUPPORT	1		
34	AH144020	THERMOSTAT	1		
35	H123998	SCREW	2		
36	37M7058	SCREW	2	M8 X 20	
37	H159743	FOAM PAD	1		
38	AH138601	HOUSING	1		

3F24

OPERATOR'S STATION

PRESSURIZER FAN AND AIR CONDITIONING / HEATER FAN
HP6864 -UN-22SEP97



HP6864

3F25

OPERATOR'S STATION

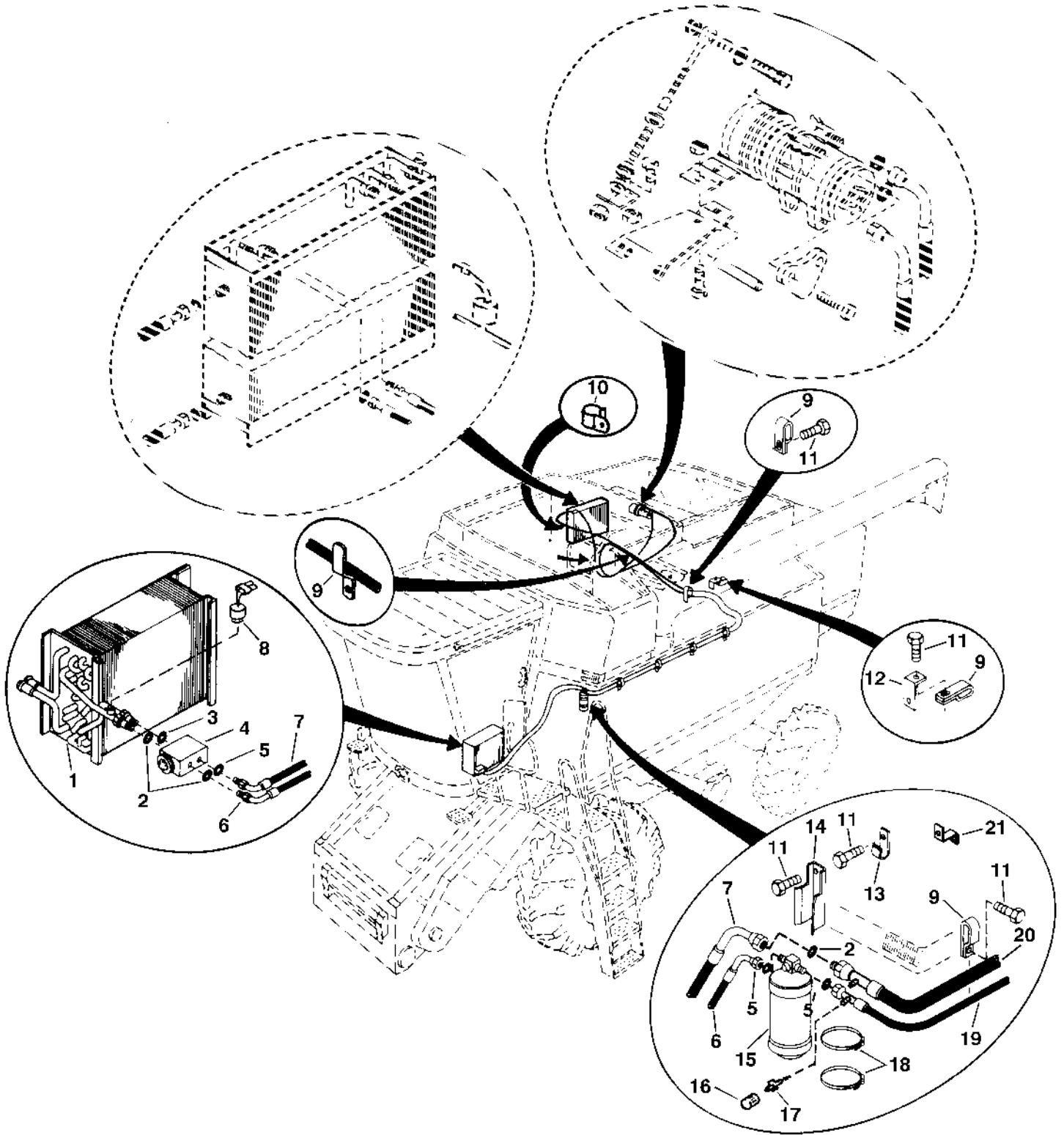
PRESSURIZER FAN AND AIR CONDITIONING / HEATER FAN - CONTINUED

KEY	PART NO.	PART NAME	QTY	SERIAL NO.	REMARKS
1	H115521	ISOLATOR	2		
2	AH128926	MOTOR	1		AC/HEATER
3	H114046	BLOWER FAN	1		
4	24M7117	WASHER	AR		4.300 X 9 X 0.800 MM
5	14M7264	LOCK NUT	AR		M4
6	AH128925	MOTOR	1		
	H129887	ISOLATOR	1		(USE WITH AH128925)
7	H124185	FAN	1		
8	T28586	CONNECTOR	1		

3G1

OPERATOR'S STATION

AIR CONDITIONING SYSTEM
HP6865 -UN-12SEP97



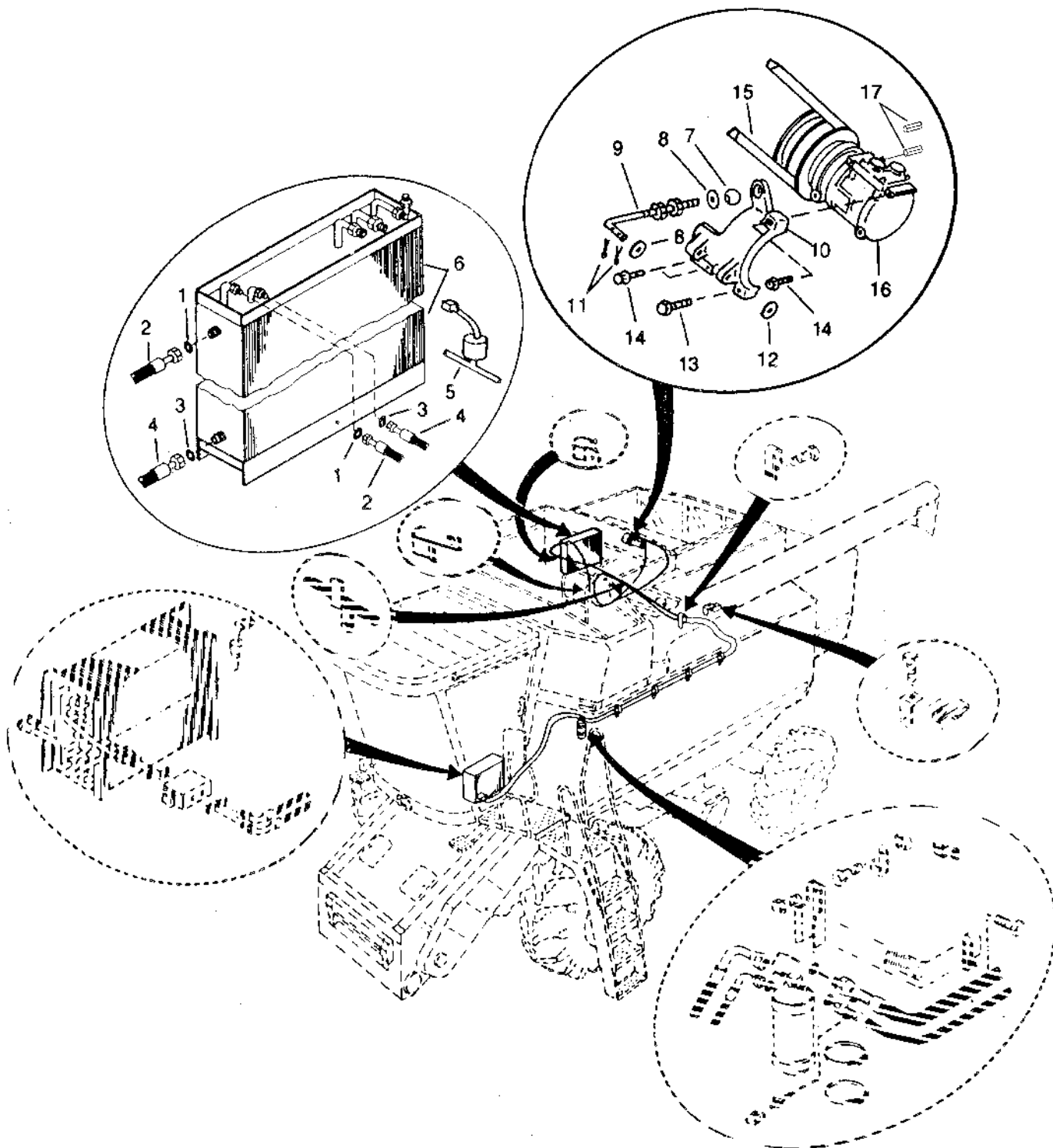
HP6865

AIR CONDITIONING SYSTEM - CONTINUED

KEY	PART NO.	PART NAME	QTY	SERIAL NO.	REMARKS
1	AH132264	EVAPORATOR	1		
2	R33259	O-RING	1		
3	R113050	RING	1		
4	AH137702	VALVE	1		
5	R10093	O-RING	1		
6	AH127684	HOSE	1		
7	AH127685	HOSE	1		
8	AH144084	SWITCH	1		LOW PRESSURE
9	AH77869	CLIP	1		
10	AH96317	CLIP	1		
11	19M7913	SCREW	1		M8 X 90
12	H132662	BRACKET	1		
13	AH77724	CLIP	1		
14	H136541	HOSE SUPPORT	1		
15	AH137486	RECEIVER-DRYER	1		
16	R60172	NUT	1		
17	R124578	VALVE	1		
18	TY22474	CLAMP	1		
19	AH159026	REFRIGERANT HOSE	1		(SUB FOR AH142103 OR AH158179)
20	AH153405	LINE	1		(SUB AH158180)
	AH158180	HOSE	1		
21	H132538	HOSE SUPPORT	1		

AIR CONDITIONING SYSTEM (FOR R134A REFRIGERANT)

HP7513 -UN-15APR98



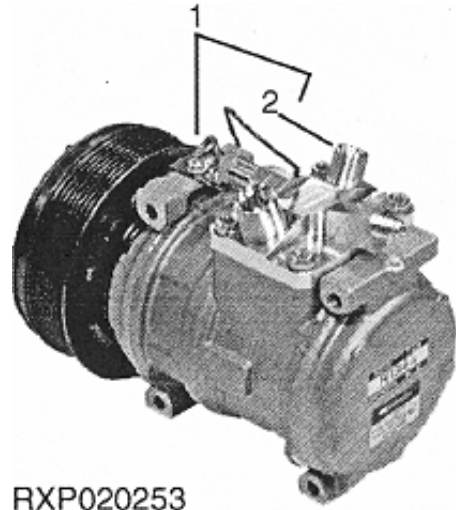
HP7513

AIR CONDITIONING SYSTEM (FOR R134A REFRIGERANT) - CONTINUED

KEY	PART NO.	PART NAME	QTY	SERIAL NO.	REMARKS
1	P51212	O-RING	1		
2	AH142106	REFRIGERANT HOSE	1		(SUB AH159078)
	AH159078	REFRIGERANT HOSE	1		
3	R10093	O-RING	1		
4	AH142103	HOSE	1		(SUB FOR AH158179)
	AH159026	REFRIGERANT HOSE	1	675166-	
5	RE24307	HIGH PRESSURE SWITCH	1		HIGH PRESSURE
6	AH149618	VAPOR CONDENSER	1		OIL COOLER (TOP) AND A/C COND. TOGETHER, NOT FOR 253 HP ENGINE
7	P45458	BALL	1		
8	24M7047	WASHER	2		13 X 24 X 2.500 MM
9	H145987	HOOK BOLT	1		
	14M7275	NUT	2		M12
10	H145986	ARM	1		
11	11M7021	COTTER PIN	2		4 X 25 MM
12	24M7047	WASHER	1		13 X 24 X 2.500 MM
13	19M7838	SCREW	1		M12 X 130
14	19M7913	SCREW	3		
15	H80896	BELT	1		
16	RE46609	COMPRESSOR	1		
	TY6764	COMPRESSOR	1		
17	34M7189	SPRING PIN	2	-10NO97	11 X 8 MM
..	TY22025	OIL	1		(SUB TY22101)
..	TY22101	OIL	1		

AIR CONDITIONING COMPRESSOR (FOR R134A REFRIGERANT)

RXP020253 -UN-01JAN94



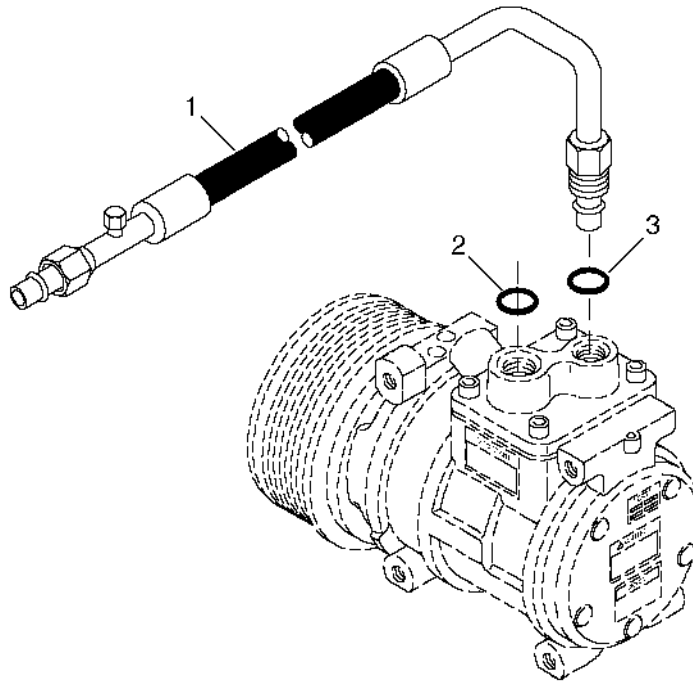
RXP020253

KEY	PART NO.	PART NAME	QTY	SERIAL NO.	REMARKS
1	RE52454	COMPRESSOR	1		
2	RE51052	MANIFOLD	1		
..	R115742	SEAL	1		
..	TY22025	OIL	1		(SUB TY22101) 250 ML
..	TY22101	OIL	1		
..	TY15949	REFRIGERANT	1		12 LBS (R134A)
..	TY15950	REFRIGERANT	1		15 LB (R134A)
..	TY15951	REFRIGERANT	1		30 LBS. (R134A)
..	RE46609	COMPRESSOR	1		COMPLETE
..	TY6764	COMPRESSOR	1		

3G6

OPERATOR'S STATION

AIR CONDITIONING COMPRESSOR HOSE
HP8880 -UN-04AUG99



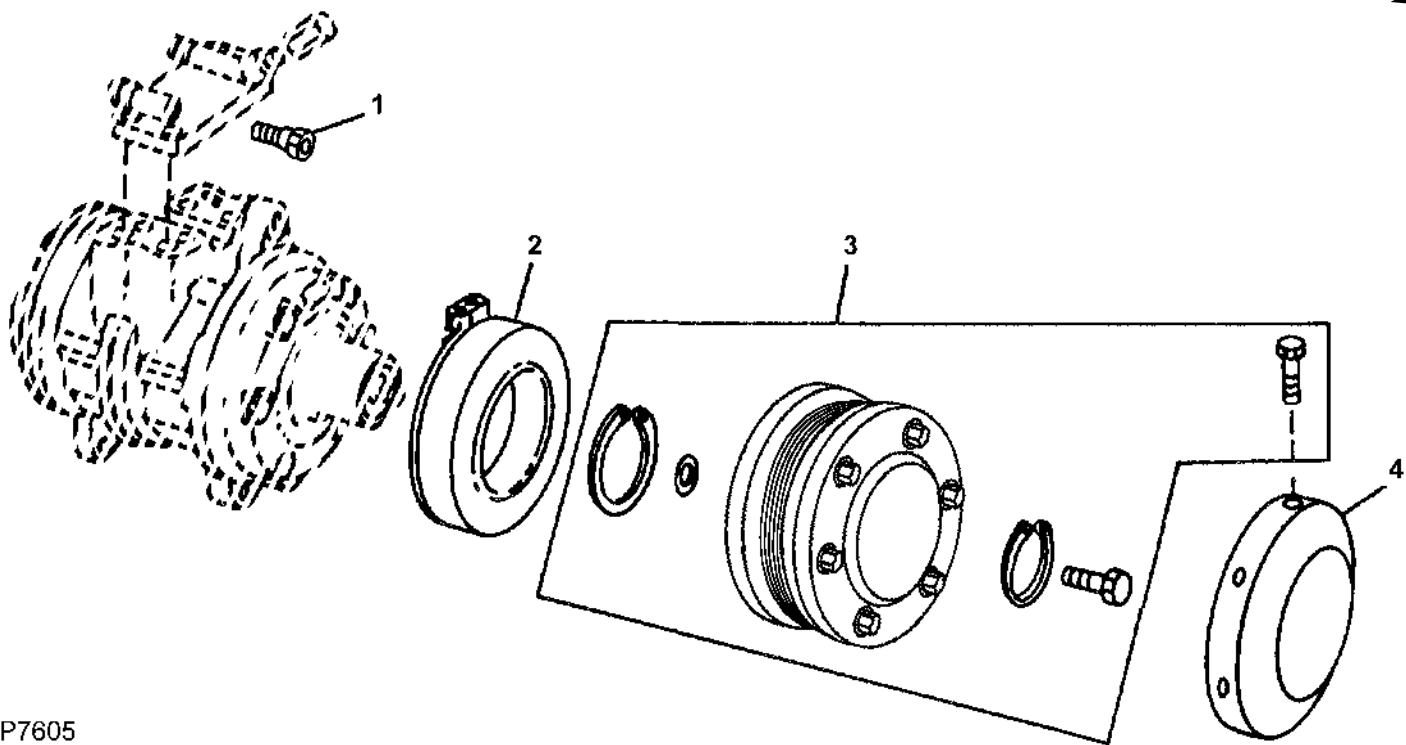
HP8880

KEY	PART NO.	PART NAME	QTY	SERIAL NO.	REMARKS
1	AH159078	REFRIGERANT HOSE	1		A/C PRESSURE
2	R113050	RING	AR		ON PRESSURE PORT
3	R33259	O-RING	AR		ON SUCTION PORT

MEMORANDA

COMPRESSOR CLUTCH/STATOR/DUST COVER (FOR R134A REFRIGERANT)

HP7605 -UN-20AUG98

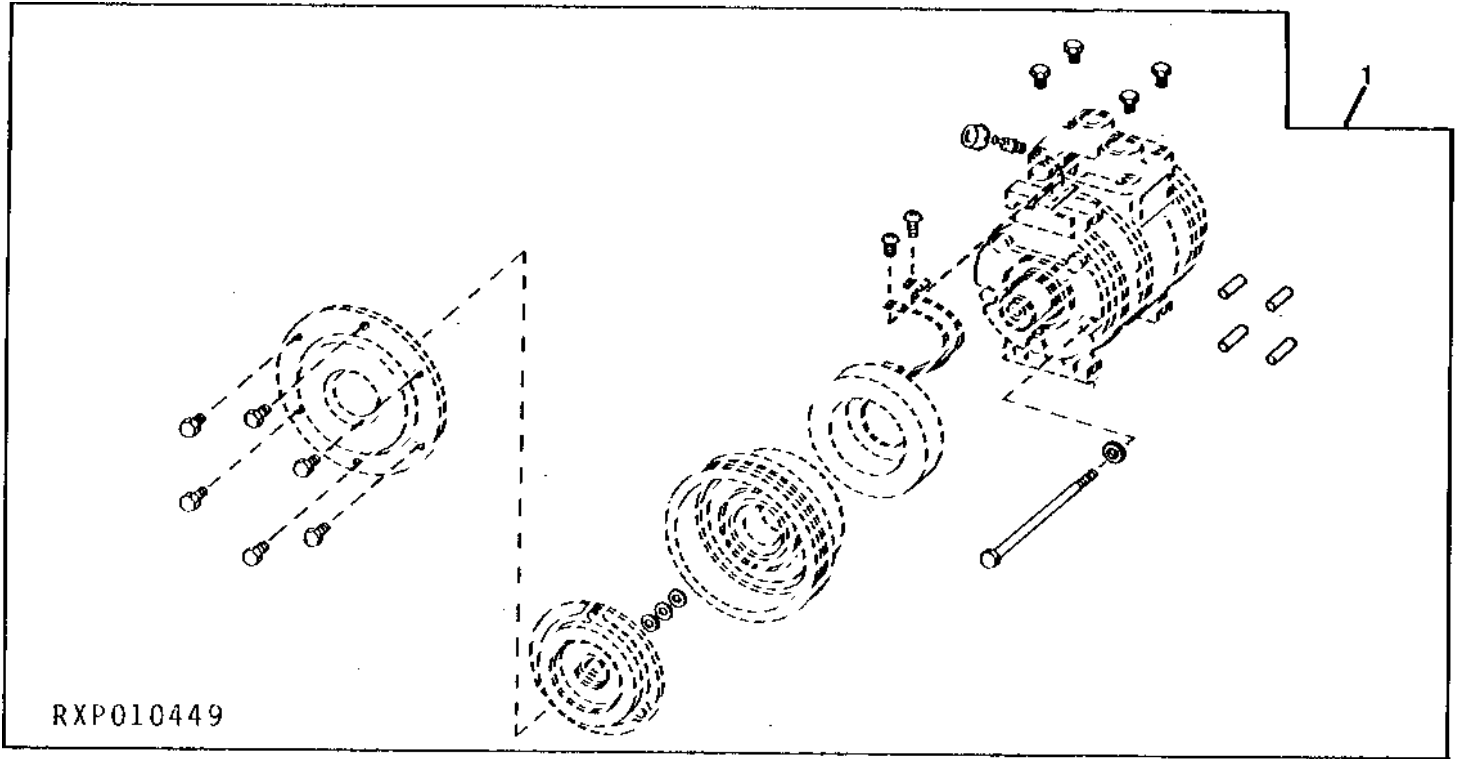


HP7605

KEY	PART NO.	PART NAME	QTY	SERIAL NO.	REMARKS
1	RE52506	VALVE	1		
2	RE52510	STATOR	1		
3	RE52508	KIT	4		
4	R115743	COVER	1		

COMPRESSOR HARDWARE SET (FOR R134A REFRIGERANT)

RXP010449 -UN-01JAN94



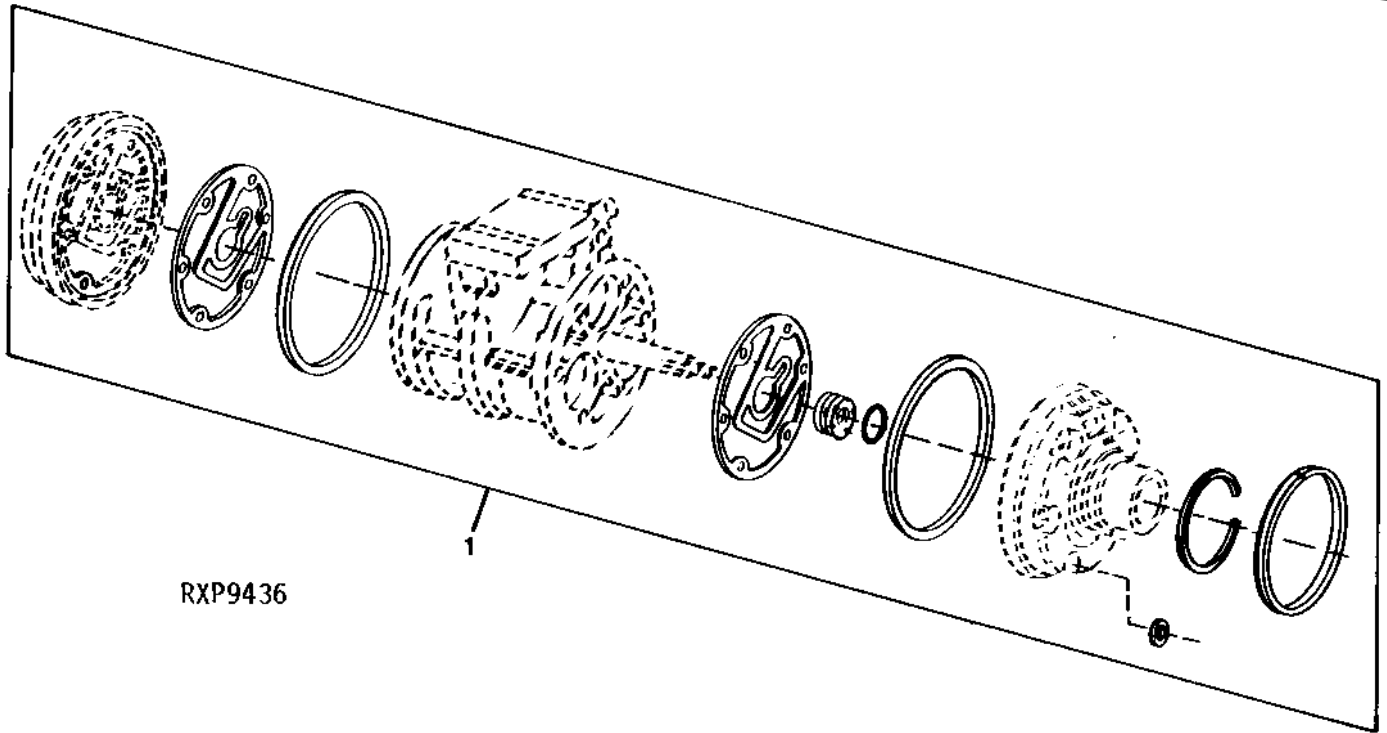
KEY	PART NO.	PART NAME	QTY	SERIAL NO.	REMARKS
1	RE52507	KIT	1		

3G9

OPERATOR'S STATION

COMPRESSOR PARTS (FOR 134A REFRIGERANT)

RXP9436 -UN-01JAN94



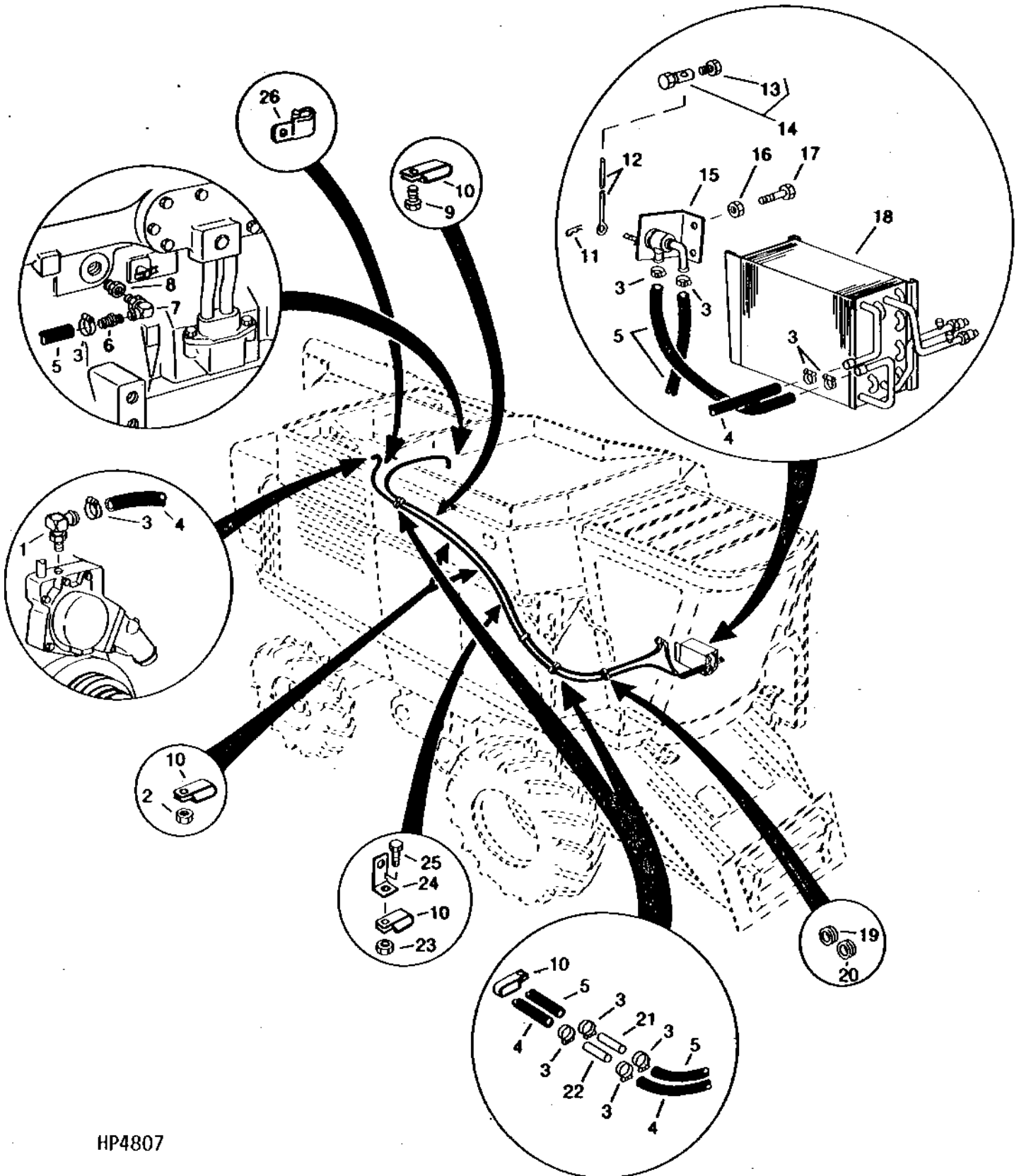
RXP9436

KEY	PART NO.	PART NAME	QTY	SERIAL NO.	REMARKS
1	RE52509	SEAL KIT	1		

3G10

OPERATOR'S STATION

HEATER SYSTEM
HP4807 -UN-01JAN94



HP4807

3G11

OPERATOR'S STATION

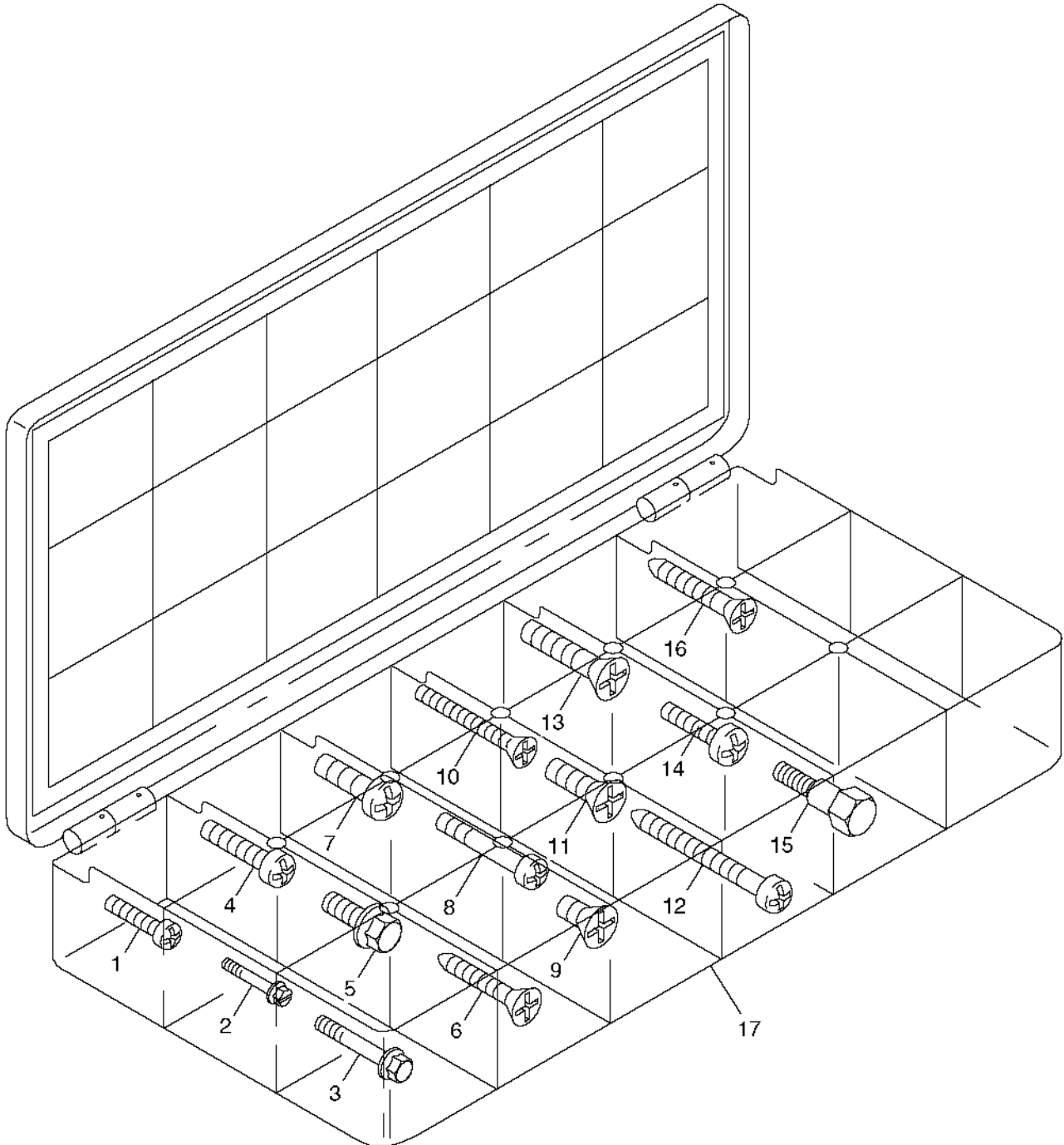
HEATER SYSTEM - CONTINUED

KEY	PART NO.	PART NAME	QTY	SERIAL NO.	REMARKS
1	15H602	ELBOW FITTING	1		
2	14M7296	FLANGE NUT	1	M10	
3	TY22465	HOSE CLAMP	7		
4	R45847	HOSE	3		CUT FROM 5/8" BULK
5	TY22328	BULK HOSE	1		
6	H23196	FITTING	1		
7	15H200	ELBOW FITTING	1		
8	15H565	PIPE BUSHING	1		
9	19M7865	SCREW	1		
10	H117952	CLAMP	4		
11	H132922	COTTER PIN	1		
12	H134655	PIN	1		
13	SCREW	1		
14	AH130610	BALL JOINT	1		
15	AH127974	CONTROL VALVE	1		
16	14M7303	FLANGE NUT	1	M6	
17	19M7775	SCREW	1	M6 X 16	
18	AH132264	EVAPORATOR	1		HEATER AND EVAPORATOR COMBINATION
19	R50456	GROMMET	1		
20	H36221	GROMMET	1		
21	H153721	COUPLING	1		
22	H153722	COUPLING	1		
23	14M7298	FLANGE NUT	1	M8	
24	H132662	BRACKET	1		
25	19M7866	SCREW	1	M8 X 20	
26	AH90990	CLIP	1		
..	H77698	TIE BAND	1		

3G12

OPERATOR'S STATION

CAB HARDWARE KIT
HP3731 -UN-01SEP99



HP3731

3G13

OPERATOR'S STATION

CAB HARDWARE KIT - CONTINUED

KEY	PART NO.	PART NAME	QTY	SERIAL NO.	REMARKS
1	H110842	SCREW	10		3.5 M X 20
2	H111364	SCREW	10		3.5 M X 12
3	H111705	SCREW	10		5.5 M X 19
4	H111706	SCREW	10		4.2 M X 16
5	H114038	SCREW	5		6.480 M X 12
6	H119088	SCREW	10		4.2 M X 25
7	H123995	SCREW	10		6.480 M X 18
8	H128859	SCREW	5		4.826 X 22.280 MM (0.190" X 0.877")
9	H165693	SCREW	5		M6 X 12, (SUB FOR H130192)
10	H130194	CAP SCREW	10		M4 X 30
11	H158579	SCREW	4		M5 X 12, (SUB H168424)
	H168424	SCREW	4		M5 X 12
12	H130298	SCREW	3		M5 X 40
13	H165691	SCREW	10		M6 X 20, (SUB FOR H131591 OR H168780)
14	37M7182	SCREW	10		4.8 M X 19
15	H131424	BOLT	3		M6 X 20.750
16	H132899	SCREW	5		4.2 M X 25
17	AH133088	KIT	1		

MEMORANDA

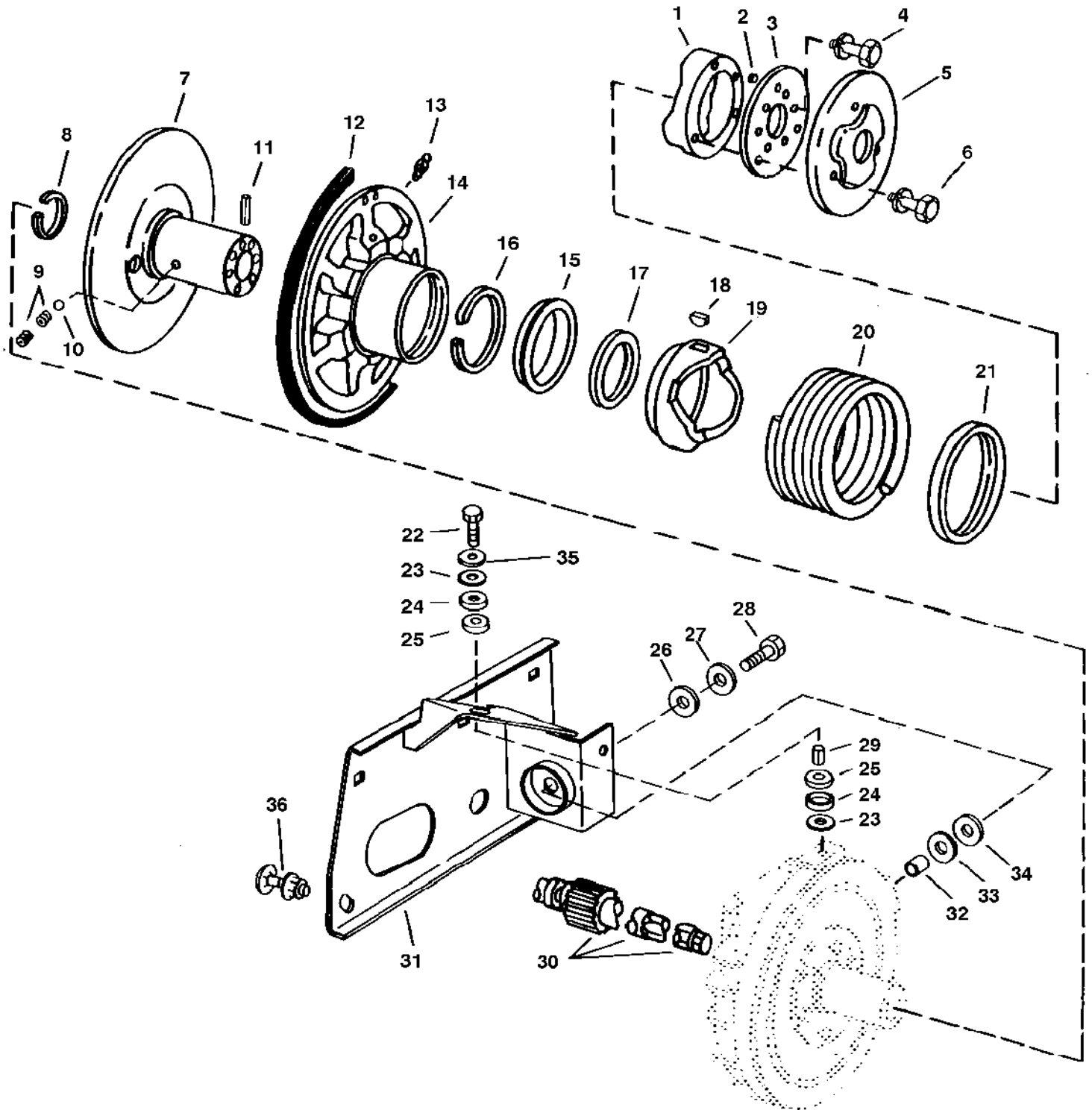
MEMORANDA

3G16

FEEDER HOUSE

FRONT VARIABLE DRIVE SHEAVE AND MOUNTINGS

HP6868 -UN-18AUG97



HP6868

3G17

FEEDER HOUSE

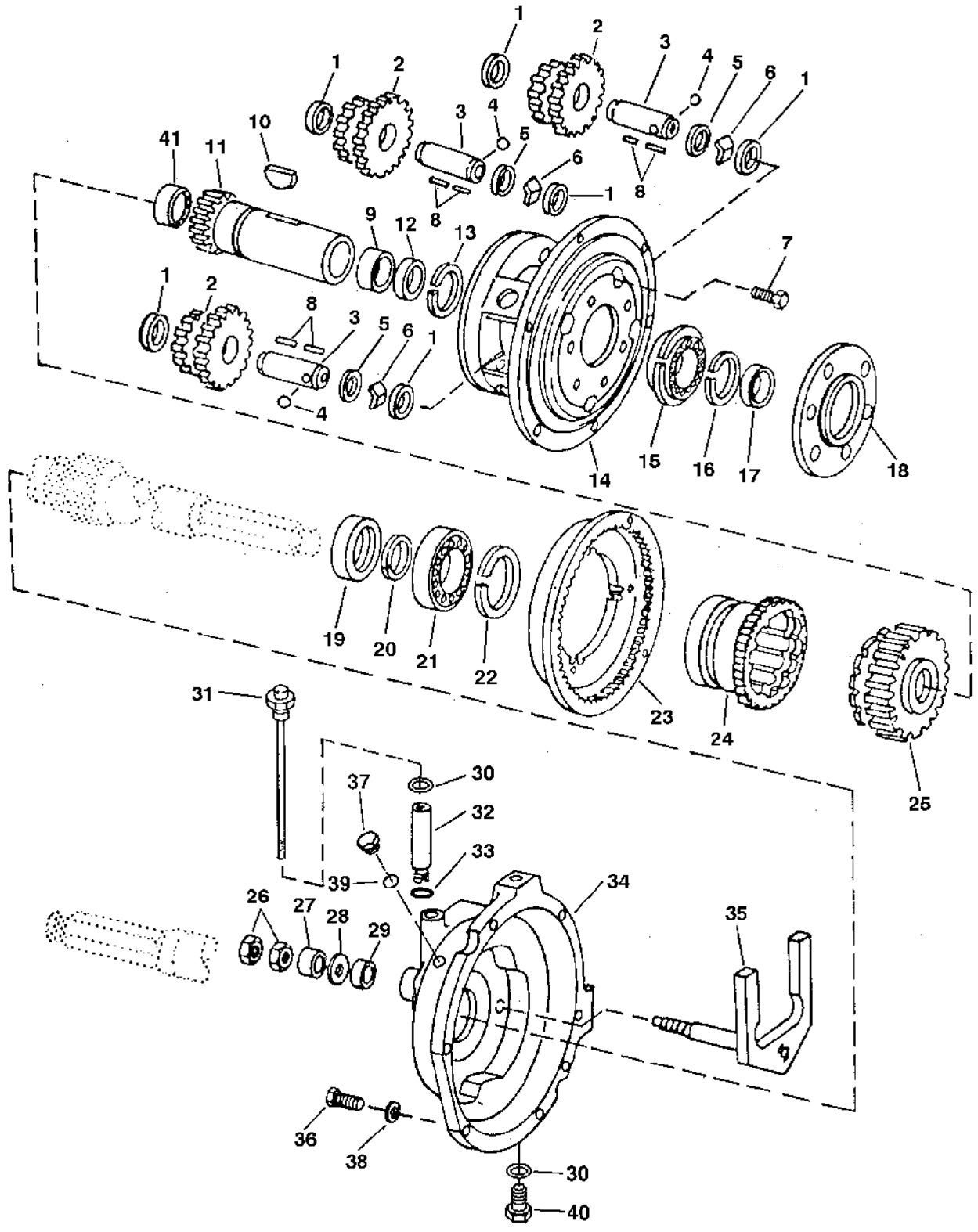
FRONT VARIABLE DRIVE SHEAVE AND MOUNTING - CONTINUED

KEY	PART NO.	PART NAME	QTY	SERIAL NO.	REMARKS
1	CAM	1		(ORDER AH138751) OUTER
2	32243	PLUG	1		
3	H170645	SPACER	1		(SUB FOR H107793)
4	19H1936	CAP SCREW	6		3/8" X 3/4"
	12H304	LOCK WASHER	6		3/8"
5	H155459	RETAINER	1		
6	19H3034	CAP SCREW	3		3/8" X 3"
	12H304	LOCK WASHER	3		3/8"
7	H168126	SHEAVE	1		(SUB FOR H108673)
8	B3118R	SNAP RING	1		
9	22H775	SET SCREW	2		5/16" X 1/4"
10	H110922	BALL	1		0.236"
11	34M7255	SPRING PIN	1		6 X 50 MM
12	H161648	BELT	1		
13	JD7798	LUBRICATION FITTING	2		
14	AH157933	SHEAVE	1		
15	H110728	RETAINER	1		
16	H97308	SNAP RING	1		
17	AH108161	SEAL	1		
18	26H104	SHAFT KEY	1		5/16" X 2-1/8"
19	CAM	1		(ORDER AH138751) INNER
20	H169604	COMPRESSION SPRING	1		(SUB FOR H157067)
21	AH96345	SEAL	1		
22	19M7827	SCREW	1		M16 X 80
23	P50456	WASHER	2		
24	H80197	BUSHING	2		(SUB H148132)
	H148132	BUSHING	2		
25	H148133	RETAINER	2		
26	T55761	SUPPORT	1		
27	R20136	WASHER	1		
28	19M7845	SCREW	1		M16 X 90
29	H148134	SPACER	1		
30	AH97642	SHAFT	1		
	AH136873	SHAFT	1	-680231	CONTOUR MASTER
	AH152937	SHAFT	1		CONTOUR MASTER (USE WITH AH149349 (DRIVE SPROCKET) AND H170634 (TONE WHEEL))
31	AH144099	SUPPORT	1		
32	H95417	SPACER	1		
33	H97410	WASHER	1		
34	R62502	SUPPORT	1		
35	24M7241	WASHER	1		
36	03M7191	BOLT	4		M10 X 25
	14M7296	FLANGE NUT	5		M10
	03M7192	BOLT	1		M10 X 30
..	TY15969	ADHESIVE	1		
..	TY6333	GREASE	1		14 OZ. TUBE
..	AH138751	KIT	1		

3G18

FEEDER HOUSE

REVERSER GEAR BOX
HP7524 -UN-15APR98



HP7524

3G19

FEEDER HOUSE

REVERSER GEAR BOX - CONTINUED

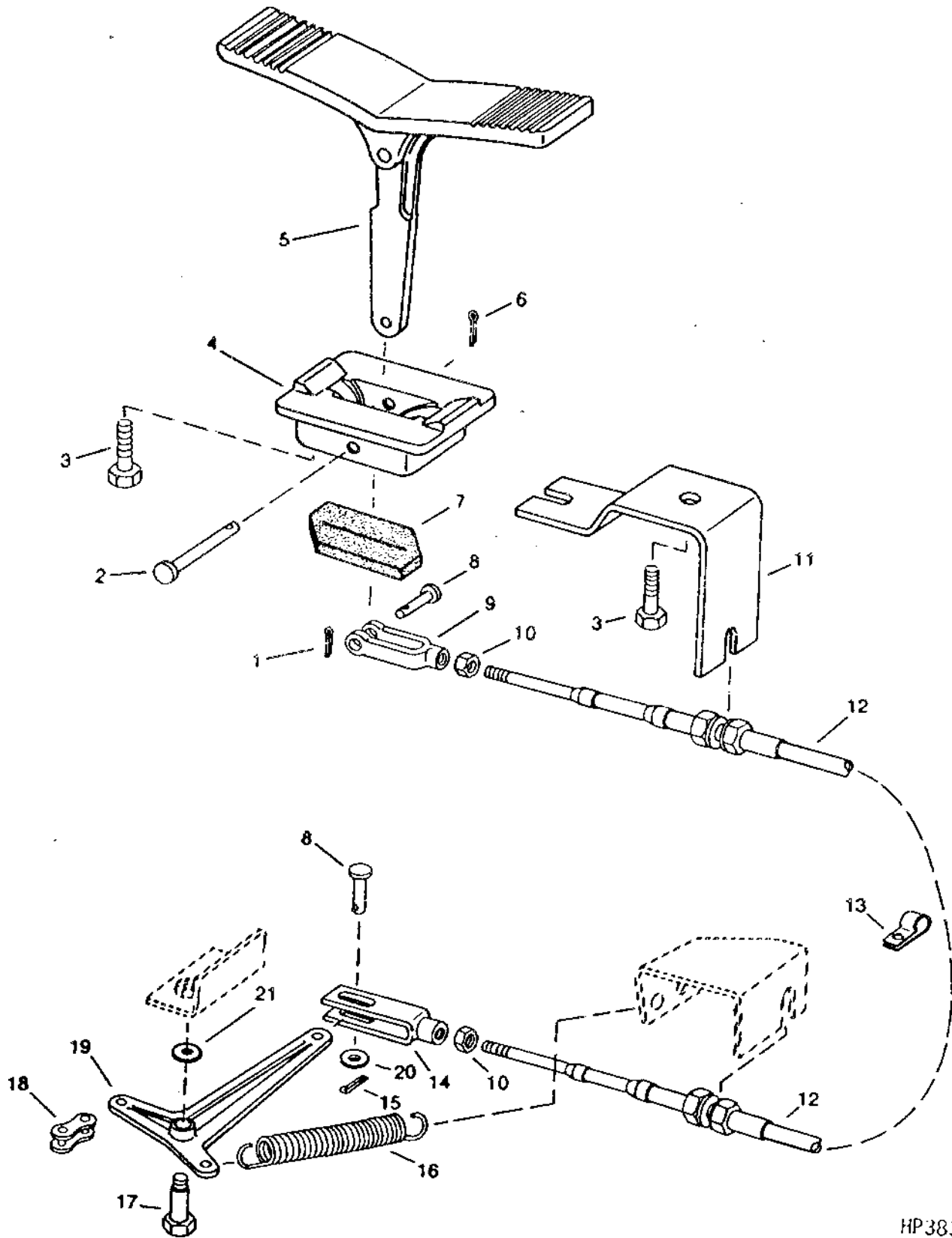
KEY	PART NO.	PART NAME	QTY	SERIAL NO.	REMARKS
1	R66197	THRUST WASHER	6		
2	AH106618	PINION	3		
3	R33079	PIN	3		
4	H871R	BALL	3		
5	R33088	WASHER	3		
6	H89617	SPACER	3		
7	19H1936	CAP SCREW	6	-675854	3/8" X 3/4"
	19H1648	CAP SCREW	6	675855-	3/8" X 3/4"
8	R33058	NEEDLE ROLLER	186		(6 SETS OF 31)
9	AH150686	NEEDLE BEARING	1		
10	26H104	SHAFT KEY	2		5/16" X 2-1/8"
11	H166216	GEAR	1	675317-	(SUB FOR H161566) INPUT
12	E53699	SEAL	1		
13	B3118R	SNAP RING	1		
14	H168125	COVER	1		(SUB FOR H149504)
15	JD10010	BALL BEARING	1		(WITH SNAP RING)
16	R39081	SNAP RING	1		
17	AH144715	SEAL	1		
18	H146585	BEARING HOUSING W/O BEARING	1		
19	H150662	BEARING HOUSING W/O BEARING	1		
	AH140185	SEAL	1		
20	N71922	SNAP RING	1		
21	JD10011	BALL BEARING	1		
22	BP13620	SNAP RING	1		
23	AH105040	GEAR	1		
24	H132328	SHIFT COLLAR	1		
25	H106073	GEAR	1		OUTPUT
26	14H832	NUT	2		9/16"
27	28H2499	BUSHING	1		
28	24H1378	WASHER	1		11/16" X 1-15/32" X 0.134"
29	AN113330	SEAL	1		
30	R26375	O-RING	2		
31	AH140615	INDICATOR LIGHT	1		
32	H140195	SPACER	1		
33	R26906	O-RING	1		
34	H158860	HOUSING	1		
35	AH93110	SHIFTER	1		
36	19M7402	CAP SCREW	6		M10 X 25
37	R27218	FITTING PLUG	1		
38	12M7135	LOCK WASHER	6		0.402"
39	R26448	O-RING	1		
40	R39112	FITTING	1		
41	JD8819	NEEDLE BEARING	1	675317-	
..	TY15130	SEALANT	1		3 OZ. SIZE
..	AH156053	CASE	1		
..	AH153341	GEAR CASE	1		USE WITH AH149349 (DRIVE SPROCKET) AND H170634 (TONE WHEEL) (SUB FOR AH156049) CONTOUR MASTER

3G20

FEEDER HOUSE

FEEDER HOUSE REVERSER FOOT CONTROL

HP3833 -UN-01JAN94



HP3833

FEEDER HOUSE REVERSER FOOT CONTROL - CONTINUED

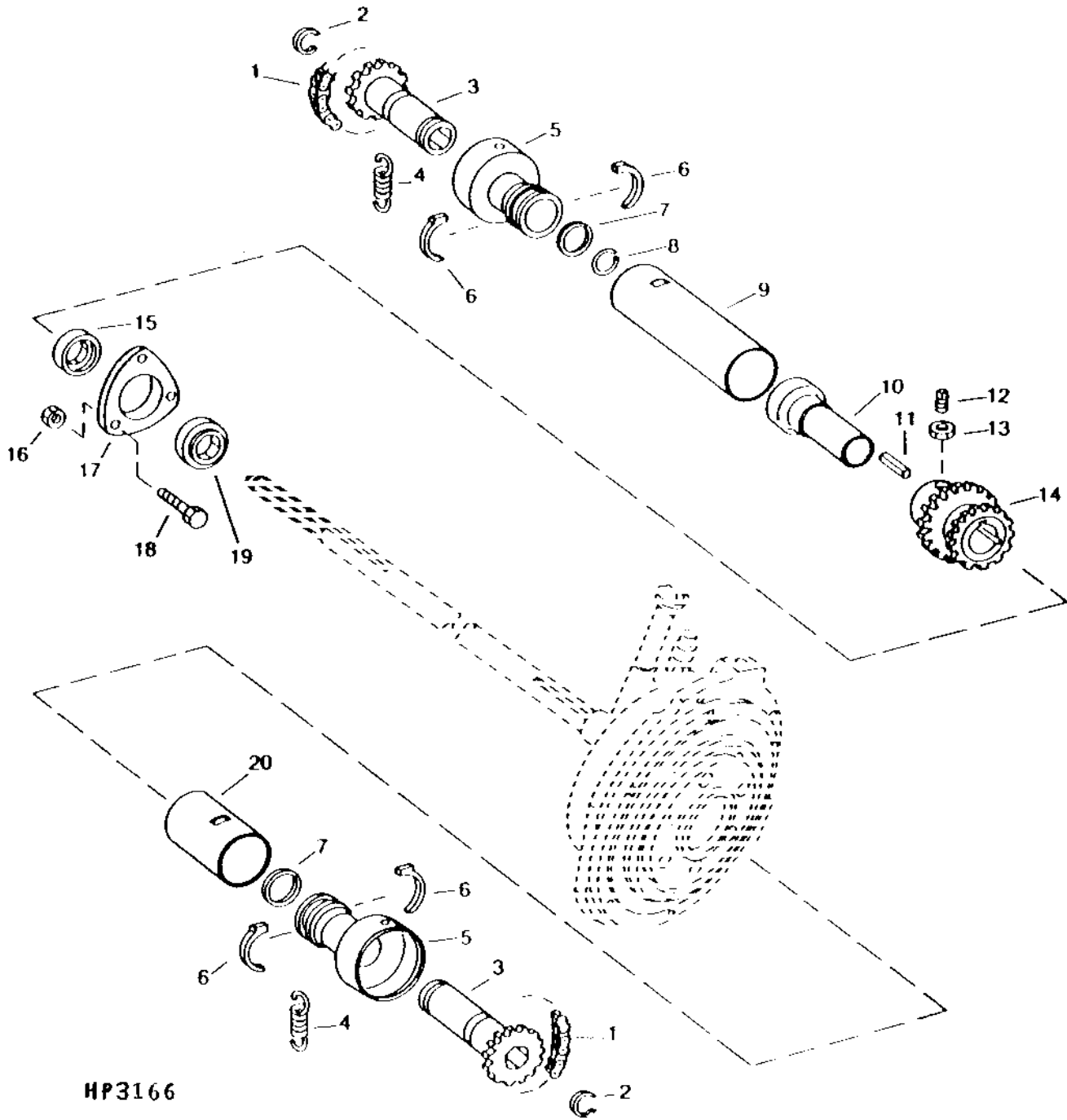
KEY	PART NO.	PART NAME	QTY	SERIAL NO.	REMARKS
1	11M7082	COTTER PIN	1		
2	R65569	PIN	1		
3	19M7866	SCREW	4		M8 X 20
4	H134489	BEZEL	1		
5	H134488	PEDAL	1		
6	11M7081	COTTER PIN	1		2.500 X 20 MM
7	H133210	SEAL	1		
8	T16193	PIN	1		
9	H130646	YOKE	1		6.248 X 29.362 MM (0.246" X 1-5/32")
10	14M7273	NUT	2		
11	H133208	SUPPORT	1		
12	AH128452	PUSH PULL CABLE	1		
13	R73384	CLAMP	1		
14	AH127383	YOKE	1		
15	11M7082	COTTER PIN	1		2.500 X 25 MM
16	H84948	SPRING	1		
17	H127749	BOLT	1		
18	AE23791	CHAIN LINK	1		
19	H140836	BELLCRANK	1		BELLCRANK HAS TWO CONNECTING HOLES
20	24M7054	WASHER	1		6.400 X 12 X 1.600 MM
21	24M7240	WASHER	1		13 X 25 X 3 MM

3G22

FEEDER HOUSE

FRONT SHAFT WITH REVERSER (VARIABLE)

HP3166 -UN-21JUL95



HP3166

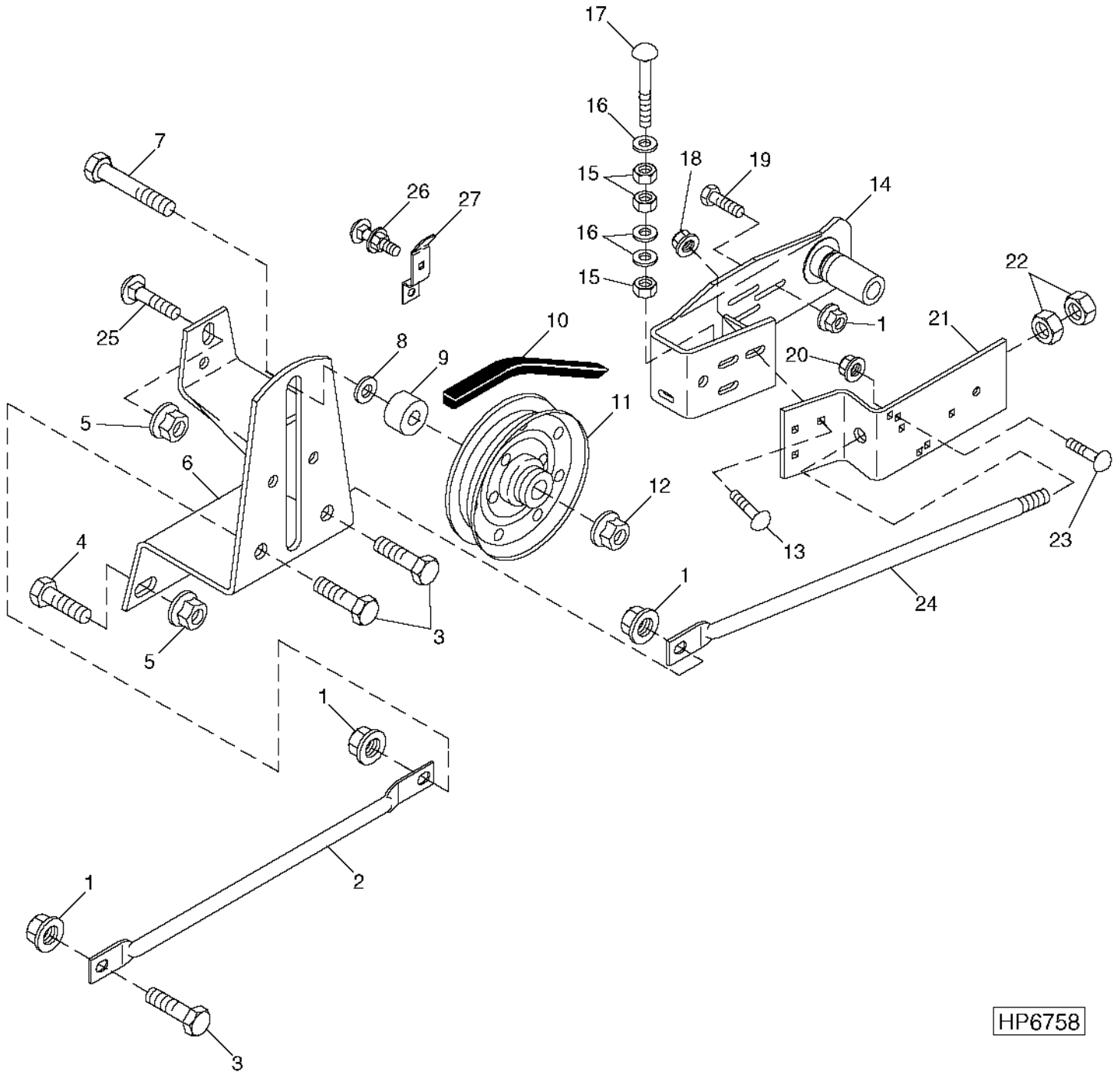
FRONT SHAFT WITH REVERSER (VARIABLE) - CONTINUED

KEY	PART NO.	PART NAME	QTY	SERIAL NO.	REMARKS
1	AN102383	LINK CHAIN	2		
2	H80926	SNAP RING	2		
3	AN102382	CHAIN SPROCKET	2	14 TOOTH	
4	H128118	SPRING	2		
5	H148818	QUICK COUPLER	2		
6	E62951	UNIVERSAL JOINT BEARING	4		
7	H25360	SNAP RING	2		
8	H28865	SNAP RING	1		
9	H127604	TUBE	1		
10	AH122495	SHIELD	1		
11	M73000	SHAFT KEY	1		
12	H138435	SET SCREW	2	M10 X 25	
13	14M7274	NUT	2	M10	
14	AH125782	CHAIN SPROCKET	1	22 TOOTH/15 TOOTH	
15	JD9201	ECCENTRIC LOCKING COLLAR	1		
16	14M7296	FLANGE NUT	3	M10	
17	H93927	HOUSING	1		
18	03M7193	BOLT	3	M10 X 35	
19	JD9202	BALL BEARING	1		
20	H127603	TUBE	1		

3G24

FEEDER HOUSE

VARIABLE SPEED DRIVE TIGHTENER
HP6758 -UN-23AUG99



HP6758

3G25

FEEDER HOUSE

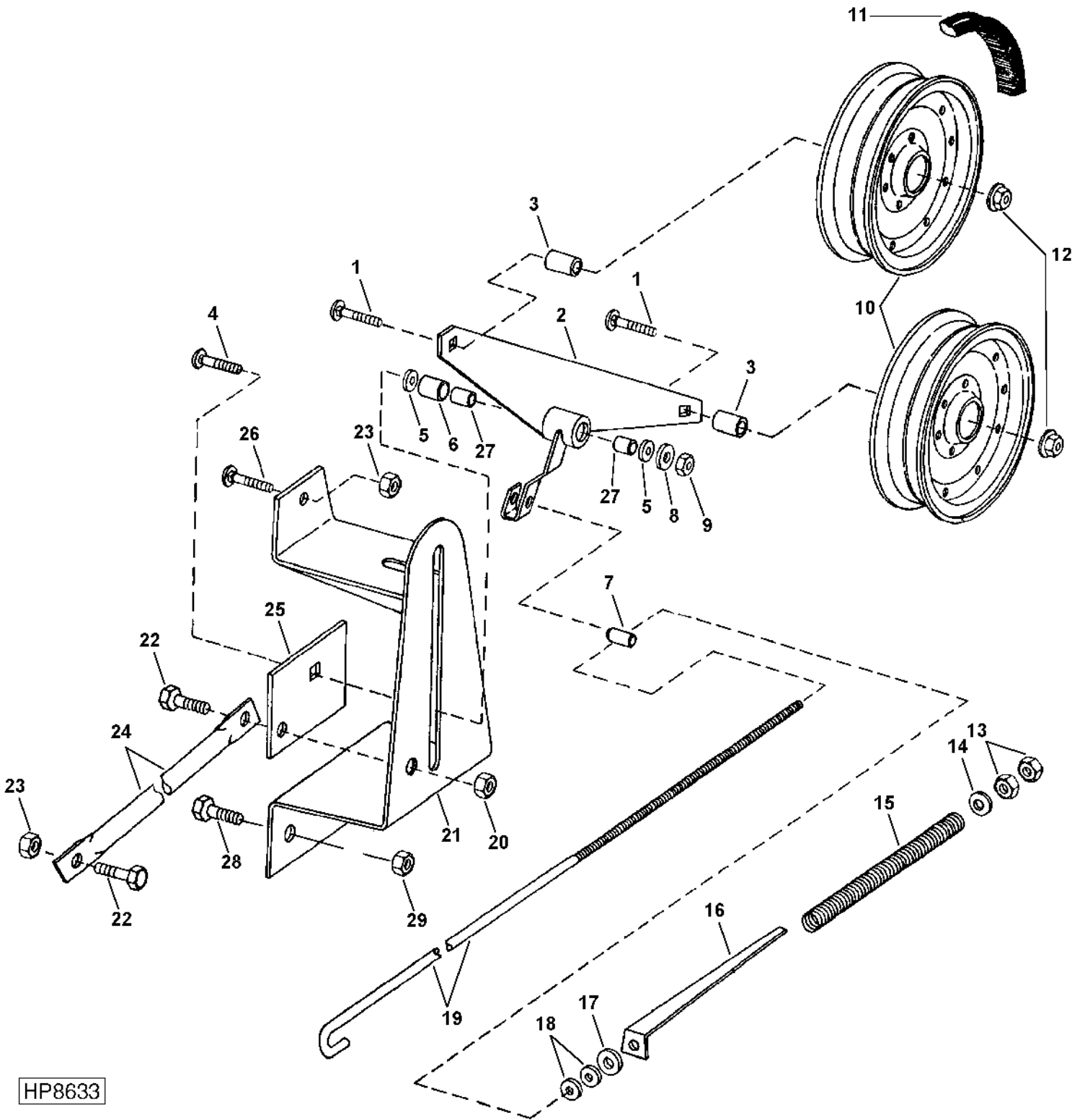
VARIABLE SPEED DRIVE TIGHTENER - CONTINUED

KEY	PART NO.	PART NAME	QTY	SERIAL NO.	REMARKS
1	14M7299	FLANGE NUT	6	M12	
2	H126371	BRACE	1		
3	19M7789	SCREW	3	M12 X 30	
4	19M7789	SCREW	2	M12 X 30	
5	14M7299	FLANGE NUT	3	M12	
6	AH139295	BRACKET	1		
7	19M7845	SCREW	1	M16 X 90	
8	24H1698	WASHER	1	21/32" X 1-5/8" X 1/4"	
9	H113892	SHIFT COLLAR	1		
10	H161648	BELT	1		
11	AH94450	IDLER	1		
12	14M7291	FLANGE NUT	1	M16	
13	03M7192	BOLT	3	M10 X 30	
14	AH154961	STRAP	1		
15	14H821	NUT	3	5/8"	
16	24M7053	WASHER	3	17 X 30 X 3 MM	
17	03H2308	BOLT	1	5/8" X 3-1/4"	
18	14M7296	FLANGE NUT	3	M10	
19	19M7790	SCREW	3	M12 X 35	
20	14M7298	FLANGE NUT	2	M8	
21	H166971	STRAP	1	(SUB FOR H161387)	
22	14M7277	NUT	2	M20	
23	03M7185	BOLT	2	M8 X 25	
24	AH142407	BRACE	1		
25	03M7198	BOLT	1	M12 X 30	
26	03M7183	BOLT	1	M8 X 16	
	14M7298	FLANGE NUT	1	M8	
27	H136336	HOSE CLAMP	1		

3H1

FEEDER HOUSE

FIXED SPEED FEEDER HOUSE DRIVE TIGHTENER
HP8633 -UN-14JUN99



HP8633

3H2

FEEDER HOUSE

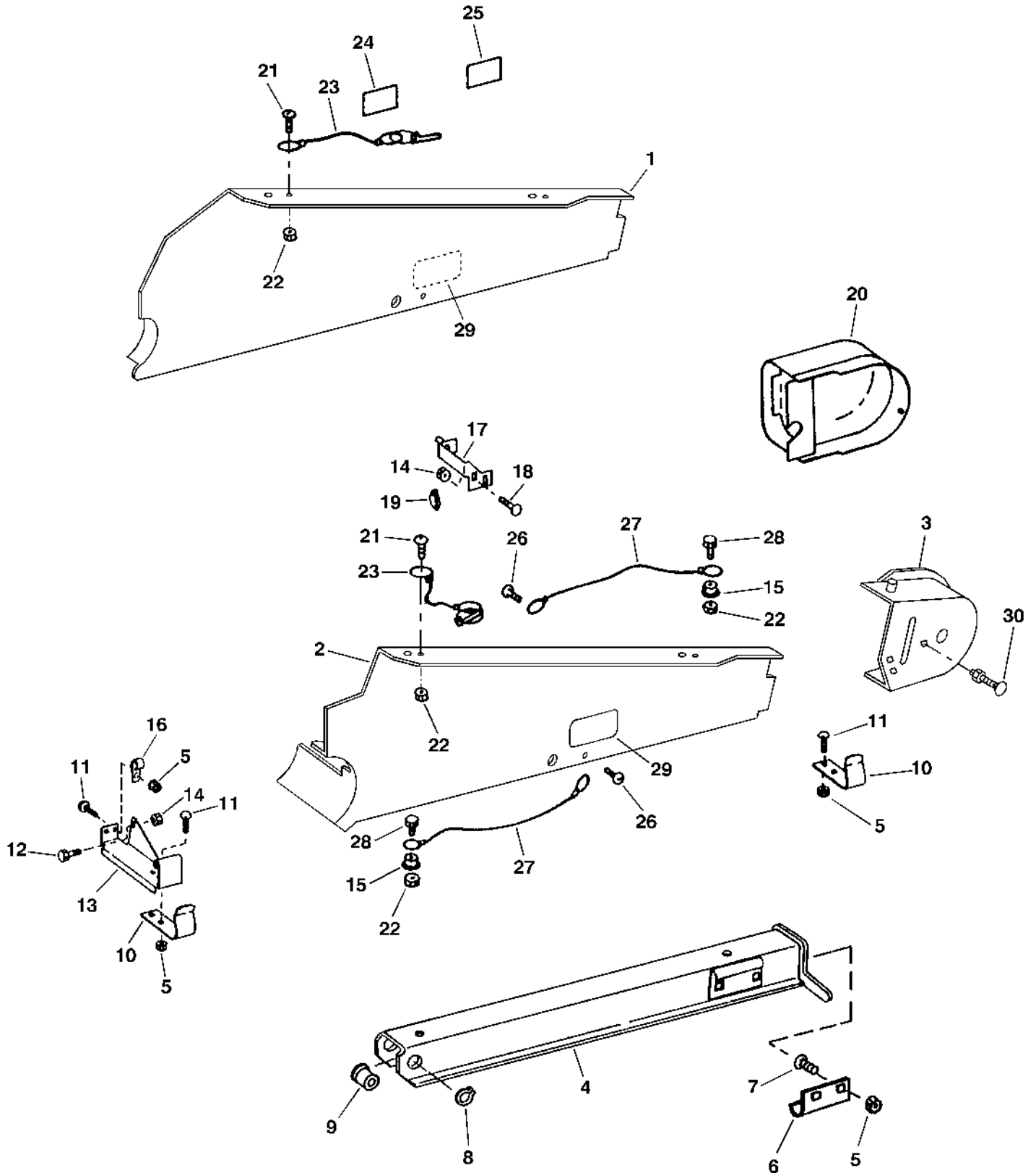
FIXED SPEED FEEDER HOUSE DRIVE TIGHTENER - CONTINUED

KEY	PART NO.	PART NAME	QTY	SERIAL NO.	REMARKS
1	03M7211	BOLT	2	M16 X 70	
2	AH97340	ARM	1		
3	L1730N	BUSHING	2	16.662 X 25.400 X 12.700 MM (21/32" X 1" X 1/2")	
4	03M7248	BOLT	1	M12 X 90	
5	24H1413	WASHER	2	57/64" X 1-3/8" X 0.048"	
6	H89297	BUSHING	1		
7	H132825	PIVOT	1		
8	24H1748	WASHER	1	1/2" X 1-1/4" X 0.105"	
9	A31867	LOCK NUT	1		
10	AH94450	IDLER	2		
11	H126345	BELT	1		
12	14M7291	FLANGE NUT	2	M16	
13	14M7275	NUT	2	M12	
14	24H1789	WASHER	1	17/32" X 1-1/4" X 0.105"	
15	A25695	SPRING	1		
16	H95499	GAUGE	1		
17	24H1748	WASHER	1		
18	24M7240	WASHER	2	13 X 25 X 3 MM	
19	H126346	BOLT	1		
20	14M7299	FLANGE NUT	1	M12	
21	AH139295	BRACKET	1		
22	19M7789	SCREW	2	M12 X 30	
23	14M7299	FLANGE NUT	2	M12	
24	H126371	BRACE	1		
25	H126370	REINFORCEMENT	1		
26	03M7198	BOLT	1	M12 X 30	
27	H98655	BUSHING	2		
28	19M7789	SCREW	2	M12 X 30	
29	14M7299	FLANGE NUT	2	M12	

3H3

FEEDER HOUSE

FEEDER HOUSE DRIVE SHIELDS AND SAFETY STOP
HP6934 -UN-29AUG97



HP6934

3H4

FEEDER HOUSE

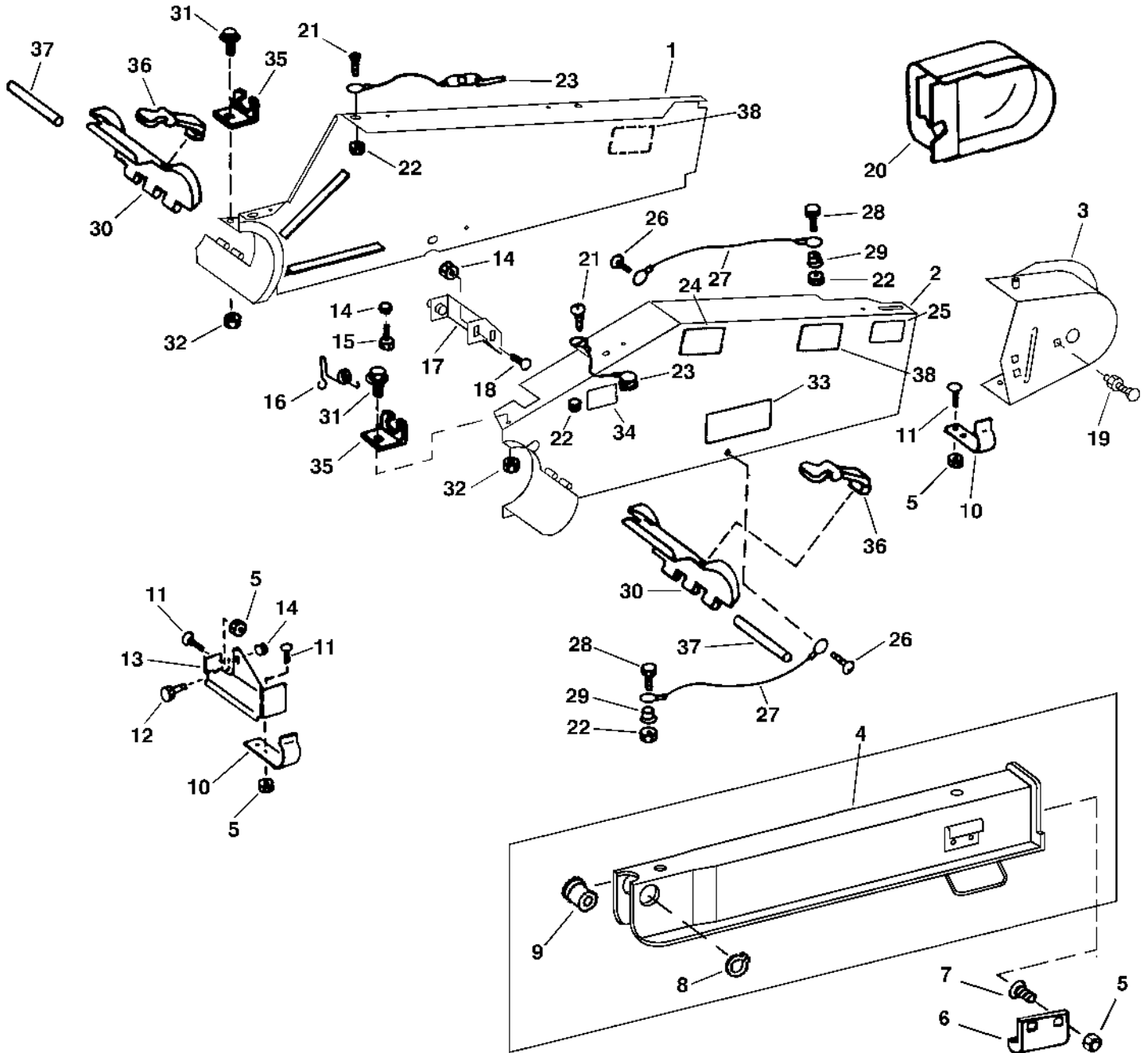
FEEDER HOUSE DRIVE SHIELDS AND SAFETY STOP - CONTINUED

KEY	PART NO.	PART NAME	QTY	SERIAL NO.	REMARKS
1	AH160053	SHIELD	1		R.H. DRIVE, LL
	AH160054	SHIELD	1		R.H. DRIVE, LT
2	AH156406	SHIELD	1		L.H.,LL
3	AH156066	SHIELD	1		
4	AH157306	STOP	1	-675147	
	AH157492	STOP	1	675148-	
5	14M7298	FLANGE NUT	8		M8
6	H150055	SUPPORT	1		
7	03M7183	BOLT	6		M8 X 16
8	40M7058	SNAP RING	1		
9	H150054	BUSHING	2		
10	H140122	CLIP	2		
11	03M7183	BOLT	6		M8 X 16
12	19M7784	SCREW	1		
13	H134085	BRACKET	1		
14	14M7296	FLANGE NUT	1		
15	M93425	SPACER	2		
16	AH89486	CLIP	1		
17	AH158142	BRACKET	1		
18	03M7190	BOLT	1		
19	M72598	QUICK LOCK PIN	4		
20	H146766	POWERSHAFT SHIELD	1		
21	21M7125	SCREW	2		M8 X 25
22	14M7298	FLANGE NUT	4		M8
23	AH135290	QUICK LOCK PIN	2		
24	H137939	LABEL	1		HARNESS AND HOSE STORAGE
25	H126397	LABEL	1		VARIABLE SPEED DRIVE
26	03M7186	BOLT	2		M8 X 30
27	AH134121	CABLE	2		(INCLUDES R73290)
28	21M7125	SCREW	2		M8 X 25
29	H164537	SIGN	1		
30	03M7185	BOLT	2		M8 X 25
	14M7298	FLANGE NUT	2		M8

3H5

FEEDER HOUSE

FEEDER HOUSE DRIVE SHIELDS AND SAFETY STOP - CONTOUR MASTER
HP7494 -UN-19JUN98



HP7494

3H6

FEEDER HOUSE

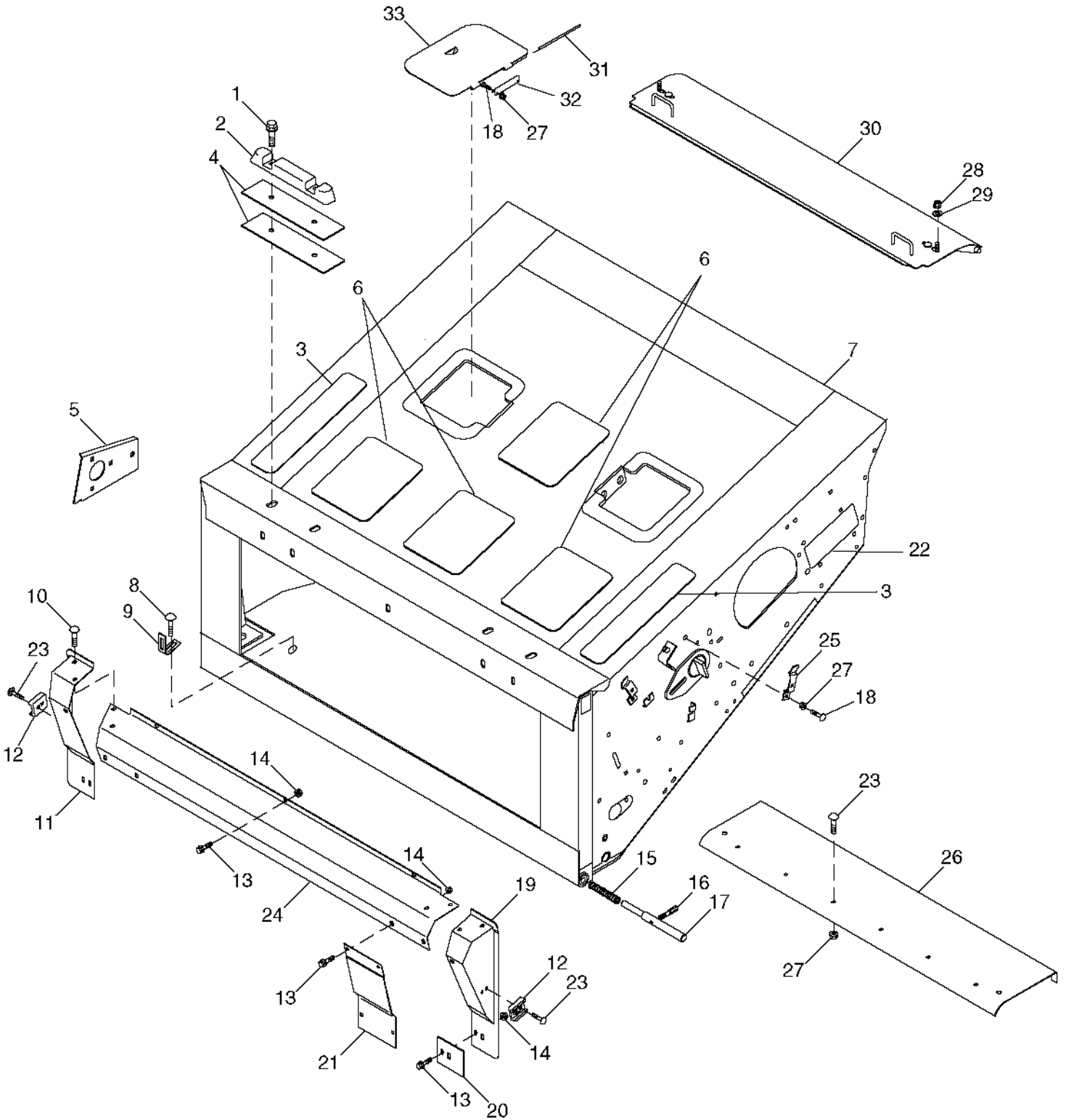
FEEDER HOUSE DRIVE SHIELDS AND SAFETY STOP - CONTOUR MASTER - CONTINUED

KEY	PART NO.	PART NAME	QTY	SERIAL NO.	REMARKS
1	AH160054	SHIELD	1	R.H.	
2	AH156374	SHIELD	1	L.H.	
3	AH156066	SHIELD	1		
4	AH157306	STOP	1		
5	14M7298	FLANGE NUT	8	M8	
6	H150055	SUPPORT	1		
7	03M7183	BOLT	2	M8 X 16	
8	40M7058	SNAP RING	1		
9	H150054	BUSHING	2		
10	H140122	CLIP	2		
11	03M7183	BOLT	6	M8 X 16	
12	19M7784	SCREW	1	M10 X 20	
13	H134085	BRACKET	1		
14	14M7296	FLANGE NUT	4	M10	
15	03M7191	BOLT	1		
16	H127781	SPRING	1		
17	AH158142	BRACKET	1		
18	03M7190	BOLT	2	M10 X 20	
19	03M7185	BOLT	2	M8 X 25	
	14M7298	FLANGE NUT	2	M8	
20	H146766	POWERSHAFT SHIELD	1	R.H.	
21	21M7125	SCREW	3	M8 X 25	
22	14M7298	FLANGE NUT	4	M8	
23	AH135290	QUICK LOCK PIN	3		
24	H137939	LABEL	1	(HARNES AND HOSE STORAGE)	
25	H126397	LABEL	1	(VARIABLE SPEED DRIVE)	
26	03M7186	BOLT	2	M8 X 30	
27	AH134121	CABLE	1	(INCLUDES R73290)	
28	21M7125	SCREW	2	M8 X 25	
29	M93425	SPACER	2		
30	H151757	SHIELD	2		
31	19M7775	SCREW	2	M6 X 16	
32	14M7397	LOCK NUT	2	M6	
33	H164537	SIGN	2	"DANGER AIR FLOW FEEDERHOUSE OUTLET"	
34	H150434	LABEL	2	"IMPORTANT LUBRICATE UNIVERSAL"	
35	H141549	CLAMP	2		
36	A44990	LATCH	2		
37	PIN	2	(MAKE FROM H76083) (CUT TO 6.88 IN. LENGTH)	
38	H149063	LABEL	2	"DANGER HEADER FALL HAZARD"	

3H7

FEEDER HOUSE

FEEDER HOUSE FRAME
HP9716 -UN-26APR00



HP9716

3H8

FEEDER HOUSE

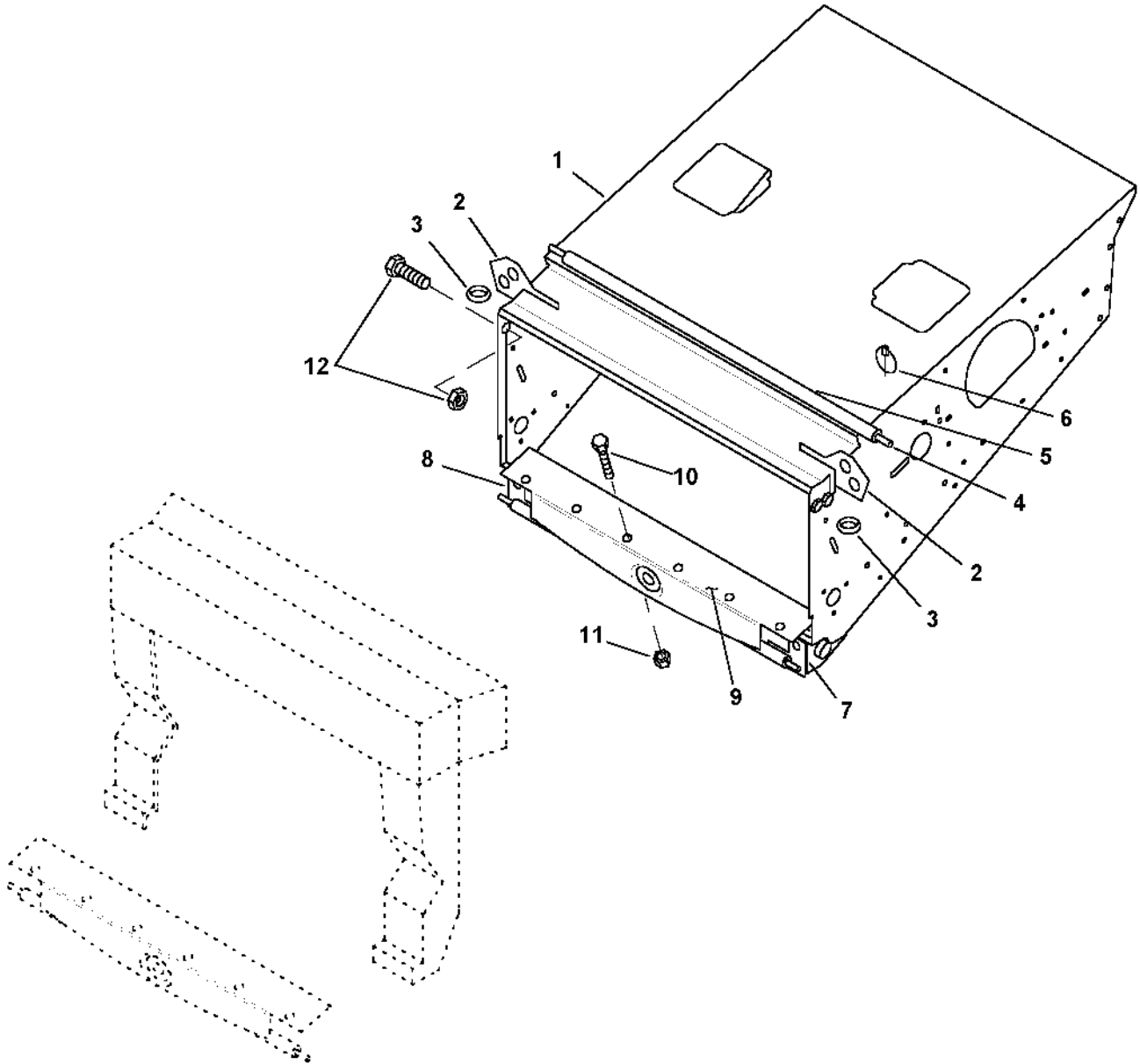
FEEDER HOUSE FRAME - CONTINUED

KEY	PART NO.	PART NAME	QTY	SERIAL NO.	REMARKS
1	19M7814	SCREW	4	M12 X 50	
2	H159975	BLOCK CLAMP	1		
3	H131743	MAT	1		
4	H175703	SHIM	4	(SUB FOR H133843)	
5	H141835	REINFORCEMENT	2		
6	H136015	MAT	4		
7	AH155675	FRAME	1	LAND LEVEL VARIABLE WITH AIR FLOW	
	AH158144	FRAME	1		
8	03M7192	BOLT	4	M10 X 30	
9	H134896	ANGLE	2		
10	03M7190	BOLT	1	M10 X 20	
11	H159533	DEFLECTOR	1		
12	H158951	STRIPPER	1		
13	19M7784	SCREW	6	M10 X 20	
14	14M7296	FLANGE NUT	6	M10	
15	124424	SPRING	2		
16	H134140	BOLT	2		
17	H130826	PIN	2		
18	03M7183	BOLT	6	M8 X 16	
19	H159534	DEFLECTOR	1		
20	H143407	WEAR PLATE	2		
21	H123638	EXTENSION	2	(RICE)	
22	H149063	LABEL	2		
23	03M7184	BOLT	4	M8 X 20	
24	H123633	SHIELD	1		
25	H136336	HOSE CLAMP	1		
26	H144052	WEAR PLATE	1		
27	14M7298	FLANGE NUT	1		
28	14M7401	LOCK NUT	2	M12	
29	24M7047	WASHER	2	13 X 24 X 2.500 MM	
30	AH126417	DOOR	1		
31	PIN	1	6.88", (CUT FROM (11) H76083)	
32	H133989	HINGE	1		
33	H152062	DOOR	1		
..	BH79543	COMPLETE GOODS/SHIP. BUNDLE	1	FH EXT - RICE CLOSURE	

3H9

FEEDER HOUSE

FEEDER HOUSE SHELL, WEAR PLATES AND SEALS - CONTOUR MASTER
HP7310 -UN-08JAN98



HP7310

3H10

FEEDER HOUSE

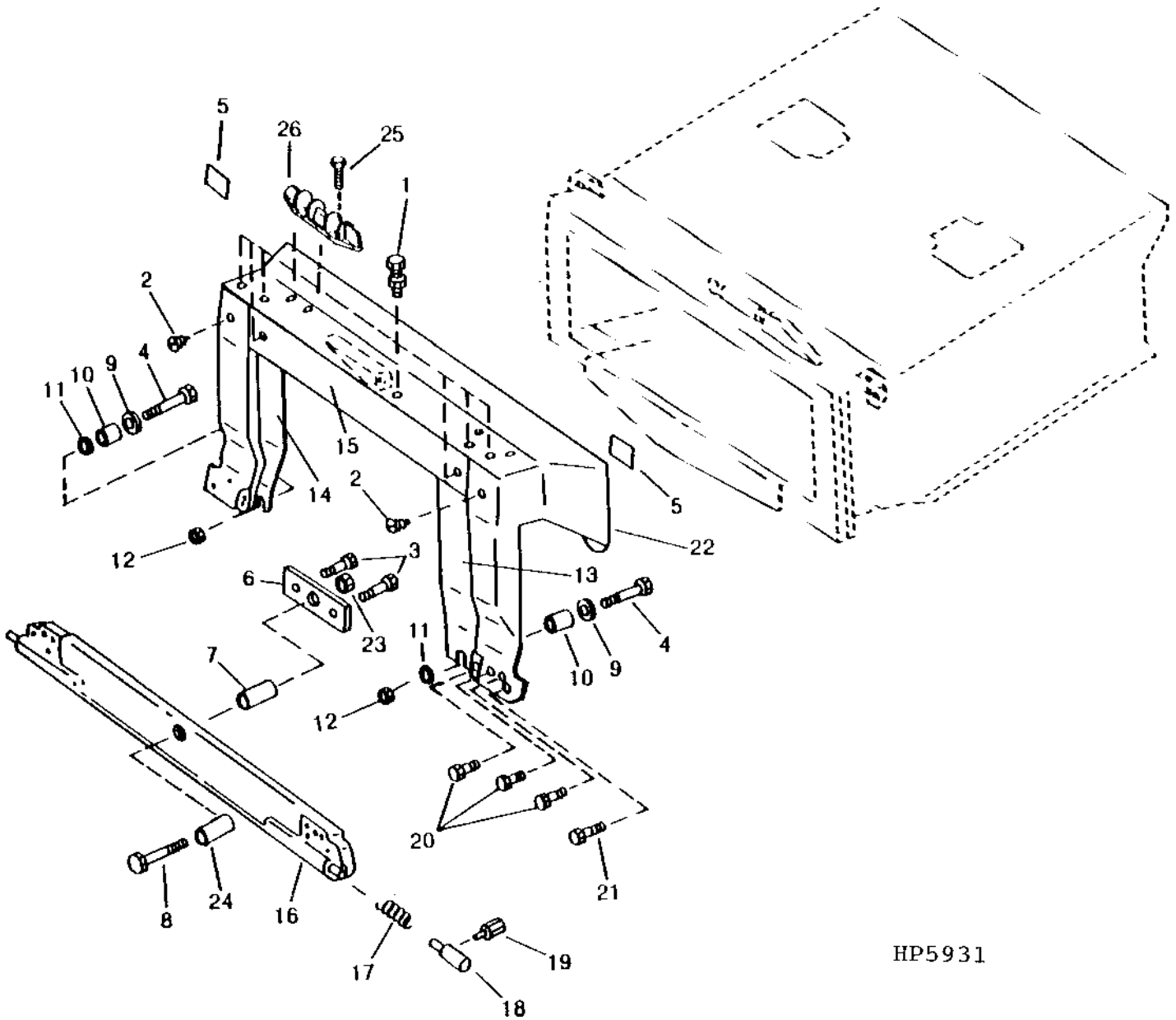
FEEDER HOUSE SHELL, WEAR PLATES AND SEALS - CONTOUR MASTER - CONTINUED

KEY	PART NO.	PART NAME	QTY	SERIAL NO.	REMARKS
1	AH155678	FRAME	1		DUST SUPPRESSION, LATERAL TILT
	AH158148	FRAME	1		
2	H149461	WEAR PLATE	2		
3	R495R	O-RING	2		(USE WITH H149461) (FOR RETENTION ONLY)
4	H144825	PIPE	1		
5	H148998	SEAL	1		
6	A15147	SPRING LOCKING PIN	2		
7	H149459	WEAR PLATE	1		L.H. LOWER
8	H149460	WEAR PLATE	1		R.H. LOWER
9	H142861	PLATE	1		
10	03M7184	BOLT	6		M8 X 20
11	14M7298	FLANGE NUT	6		M8
12	19M7790	SCREW	4		M12 X 35
	14M7299	FLANGE NUT	4		M12

3H11

FEEDER HOUSE

FEEDER HOUSE FRAME, TILT BEAM AND CLOSURE PLATES - CONTOUR MASTER
HP5931 -UN-14FEB95



HP5931

3H12

FEEDER HOUSE

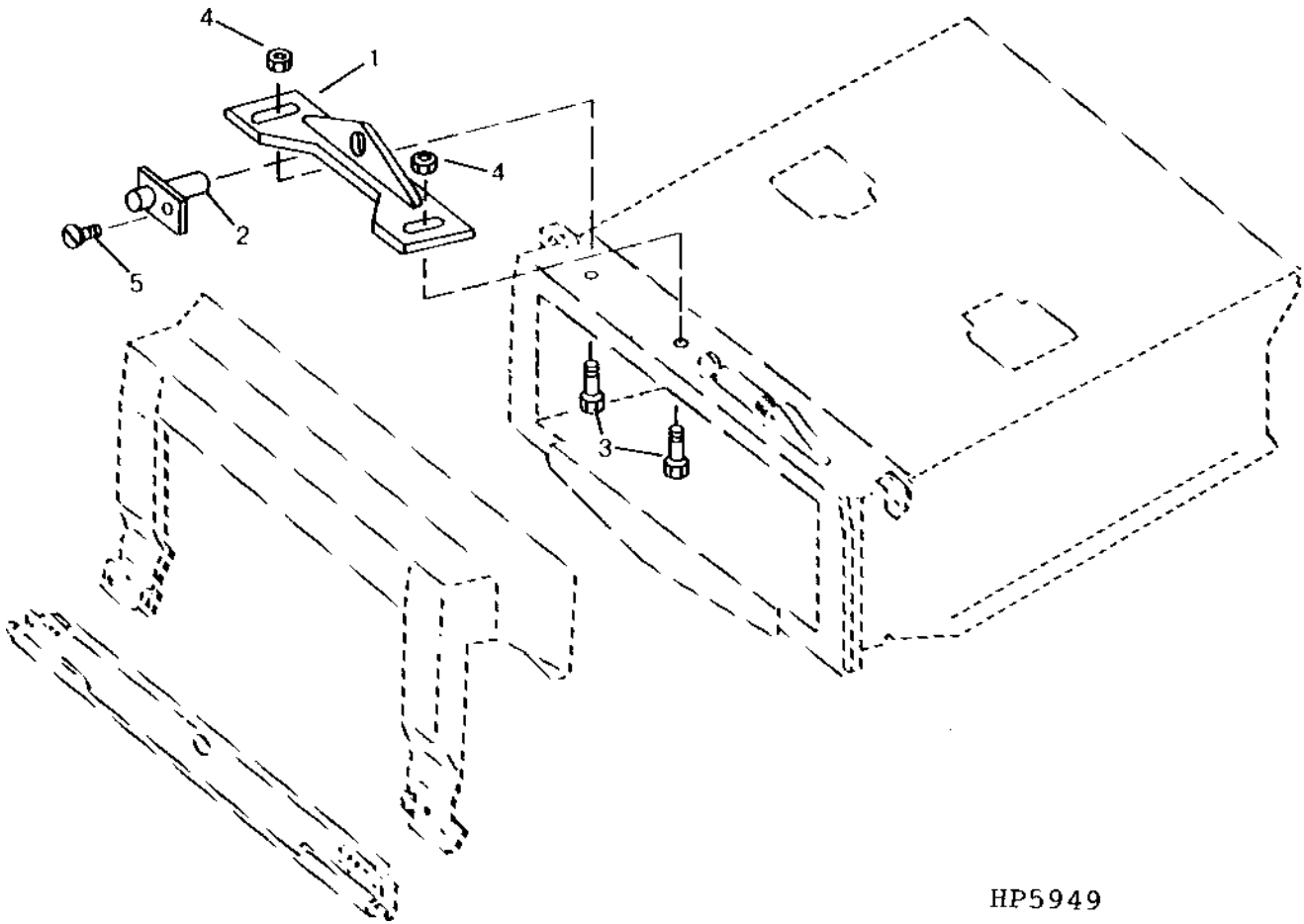
FEEDER HOUSE FRAME, TILT BEAM AND CLOSURE PLATES - CONTOUR MASTER - CONTINUED

KEY	PART NO.	PART NAME	QTY	SERIAL NO.	REMARKS
1	19M7785	SCREW	7	M10 X 25	
	14M7400	LOCK NUT	7	M10	
2	19M7785	SCREW	2	M10 X 25	
3	19M7788	SCREW	2	M12 X 25	
4	19M7820	SCREW	2	M12 X 100	
5	H151607	SIGN	4	"CAUTION" HEADER TILT	
6	H149518	STRAP	1		
7	H149517	PIN	1		
8	19M7921	CAP SCREW	1	M20 X 150	
9	E81185	WASHER	2	13 X 55.500 X 6 MM	
10	28H3395	BUSHING	2	13.868 X 21.336 X 31.750 MM	
11	24H1252	WASHER	2	12.700 X 38.100 X 1.524 MM	
12	14M7299	FLANGE NUT	2	M12	
13	AH143361	SHIELD	1	L.H.	
14	AH143362	SHIELD	1	R.H.	
15	H142869	WEATHER ENCLOSURE	1		
16	AH145282	FRAME	1	-680204	
	AH162724	FRAME	1	680205-	
17	124424	SPRING	2		
18	H130040	PIN	2		
19	H149523	BOLT	2		
20	19M7844	SCREW	6	M16 X 45, (USE LOCTITE)	
	T43514	GASKET	1		
21	19M7792	SCREW	2	M16 X 30, (USE LOCTITE)	
	T43514	GASKET	1		
22	AH145281	FRAME	1		
23	14M7300	FLANGE NUT	1	M20	
24	H142870	BUSHING	1		
25	19M7790	SCREW	4	M12 X 35	
26	H159975	BLOCK CLAMP	1		

3H13

FEEDER HOUSE

LOCKOUT ASSEMBLY - CONTOUR MASTER (OPTIONAL)
(BELT PICK-UP PLATFORM AND 4-ROW CORN HEADS ONLY)
HP5949 -UN-02MAY95



HP5949

3H14

FEEDER HOUSE

LOCKOUT ASSEMBLY - CONTOUR MASTER (OPTIONAL) - CONTINUED
(BELT PICK-UP AND 4-ROW CORN HEADS ONLY)

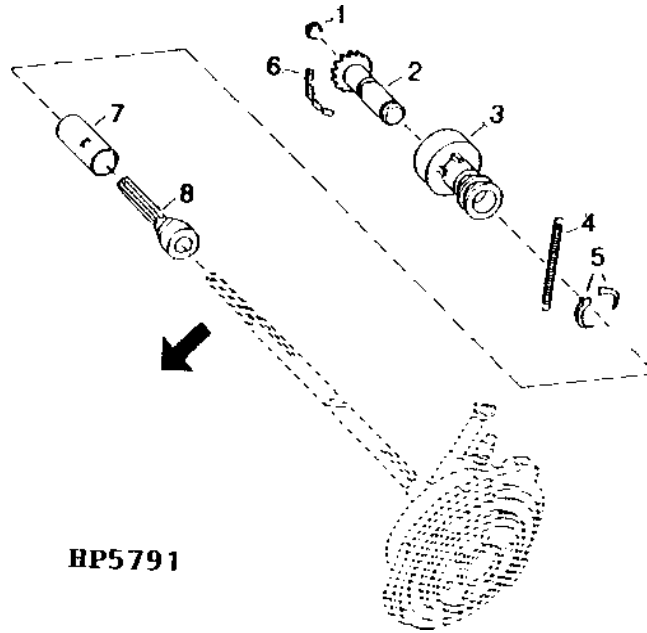
KEY	PART NO.	PART NAME	QTY	SERIAL NO.	REMARKS
1	AH145762	BRACKET	1		
2	AH145763	PIN	1		
3	03M7205	BOLT	2	M16 X 40	
4	14M7291	FLANGE NUT	2	M16	
5	19M7924	SCREW	1	M8 X 16	
..	BH79900	COMPLETE GOODS/SHIP. BUNDLE	1	COUPLER ASSEMBLY	

3H15

FEEDER HOUSE

**LOCKOUT ADAPTER KIT - CONTOUR MASTER
(BELT PICK-UP PLATFORM AND 4-ROW CORNHEADS ONLY)**

HP5791 -UN-15OCT94



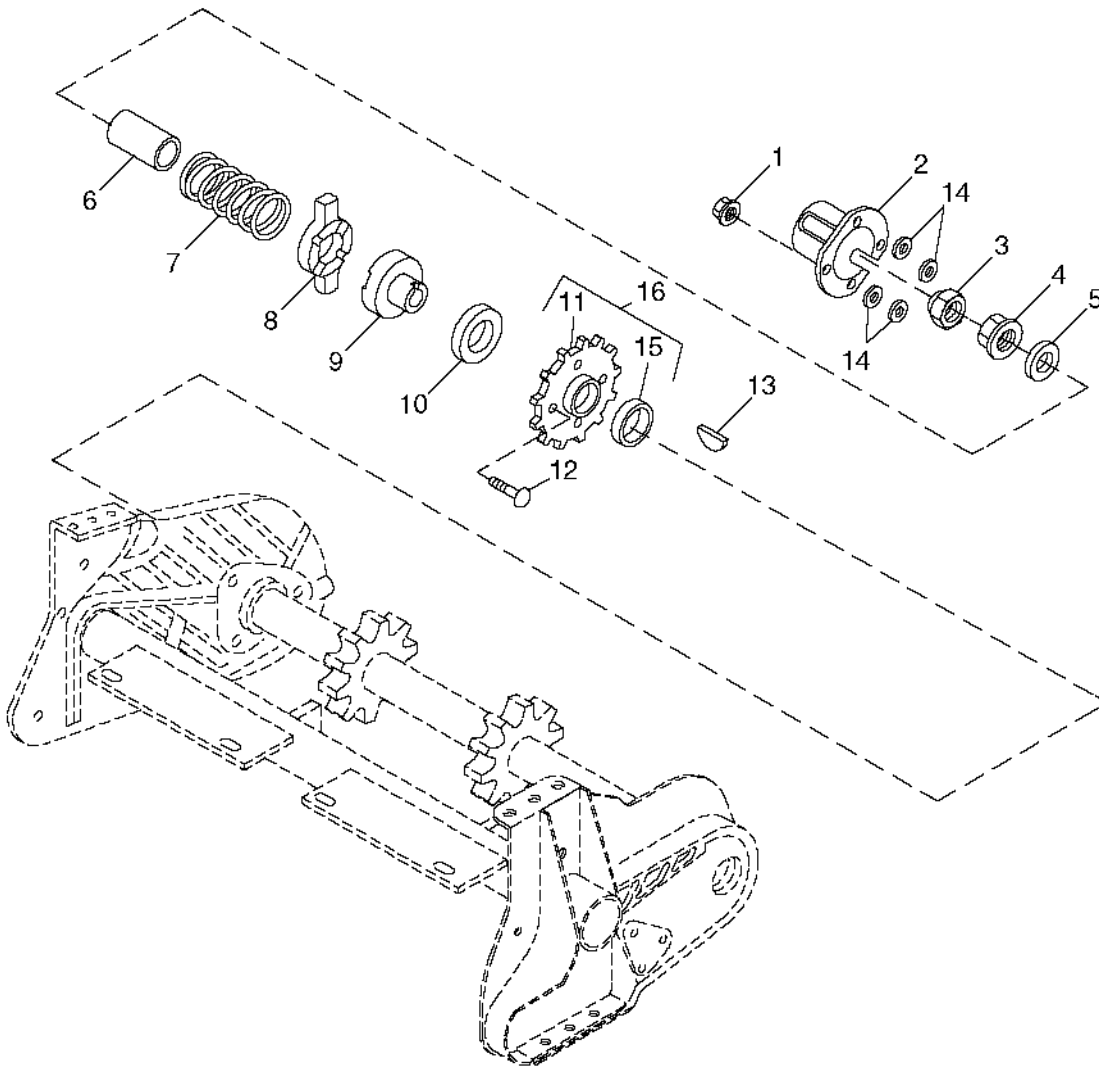
KEY	PART NO.	PART NAME	QTY	SERIAL NO.	REMARKS
1	H80926	SNAP RING	1		
2	AH143069	DRIVE SPROCKET	1	14 TOOTH	
3	H148818	QUICK COUPLER	1		
4	H128118	SPRING	1		
5	E62951	UNIVERSAL JOINT BEARING	2		
6	AN102383	LINK CHAIN	1	(13 LINKS)	
7	H127603	TUBE	1		
8	AH142560	INTERNAL HALF COUPLER	1		
..	BH79900	COMPLETE GOODS/SHIP. BUNDLE	1	COUPLER ASSEMBLY	

MEMORANDA

3H16

FEEDER HOUSE

FEEDER HOUSE SLIP CLUTCH
HP8923 -UN-25AUG99



HP8923

3H17

FEEDER HOUSE

FEEDER HOUSE SLIP CLUTCH - CONTINUED

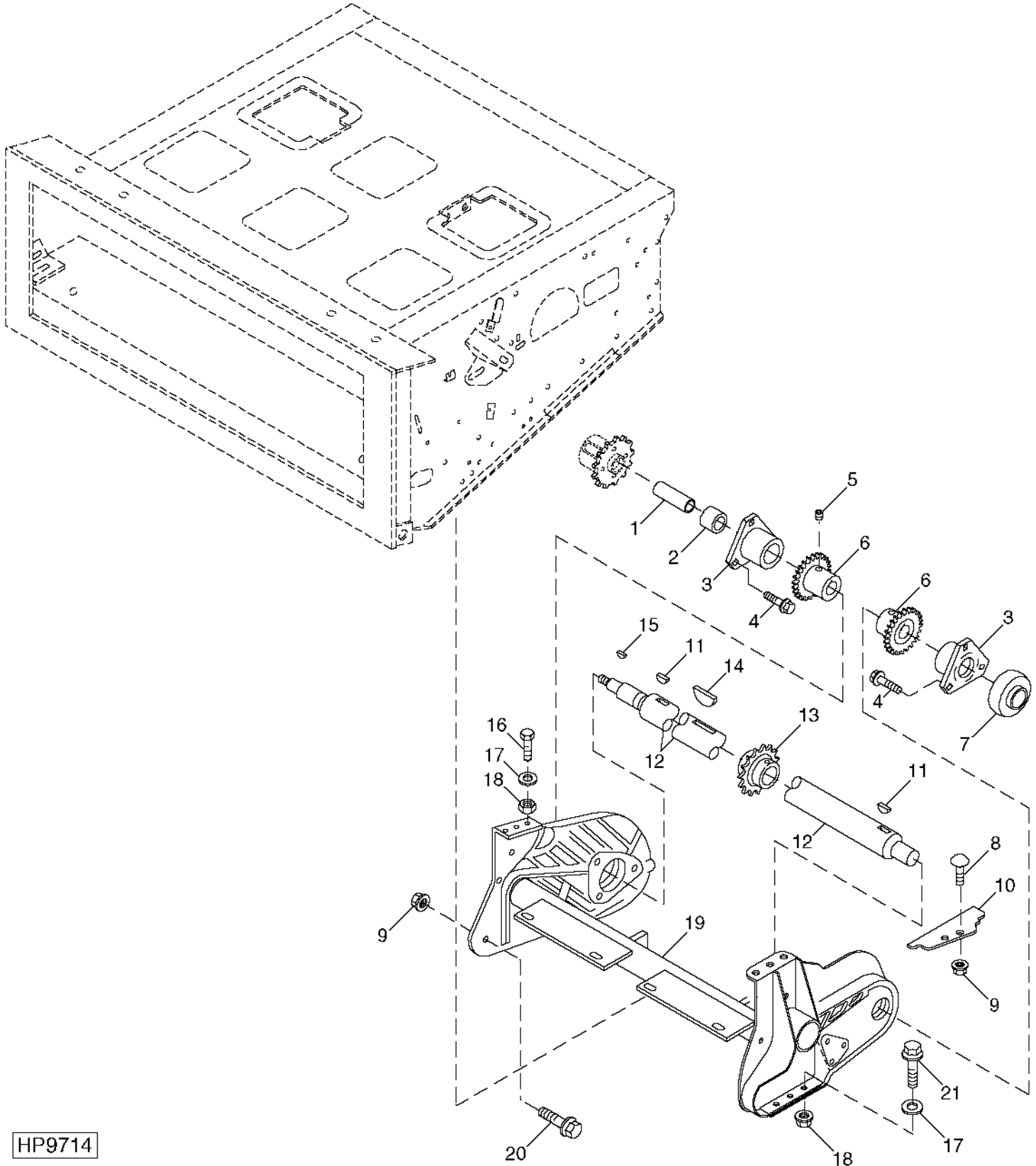
KEY	PART NO.	PART NAME	QTY	SERIAL NO.	REMARKS
1	14M7299	FLANGE NUT	4		
2	H119710	PLANET PINION CARRIER	1		M12
3	A31871	LOCK NUT	1		M24
	A31870	LOCK NUT	1		M20
4	14M7278	NUT	1		M24
5	R90521	WASHER	1		24.500 X 37 X 6.200 MM
6	H129659	SPACER	1		
7	H109855	SPRING	1		
8	H101677	JAW	1		
9	H105590	HUB	1		
10	H99303	WASHER	1		
11	H119709	CHAIN SPROCKET	1		
12	03M7200	BOLT	4		M12 X 40
13	26H103	SHAFT KEY	1		
14	24H1341	WASHER	4		17/32" X 15/16" X 0.060"
15	H105584	BUSHING	1		
16	AH116232	CHAIN SPROCKET	1		

3H18

FEEDER HOUSE

FEEDER HOUSE FRAME AND UPPER SHAFT

HP9714 -UN-18APR00



HP9714

3H19

FEEDER HOUSE

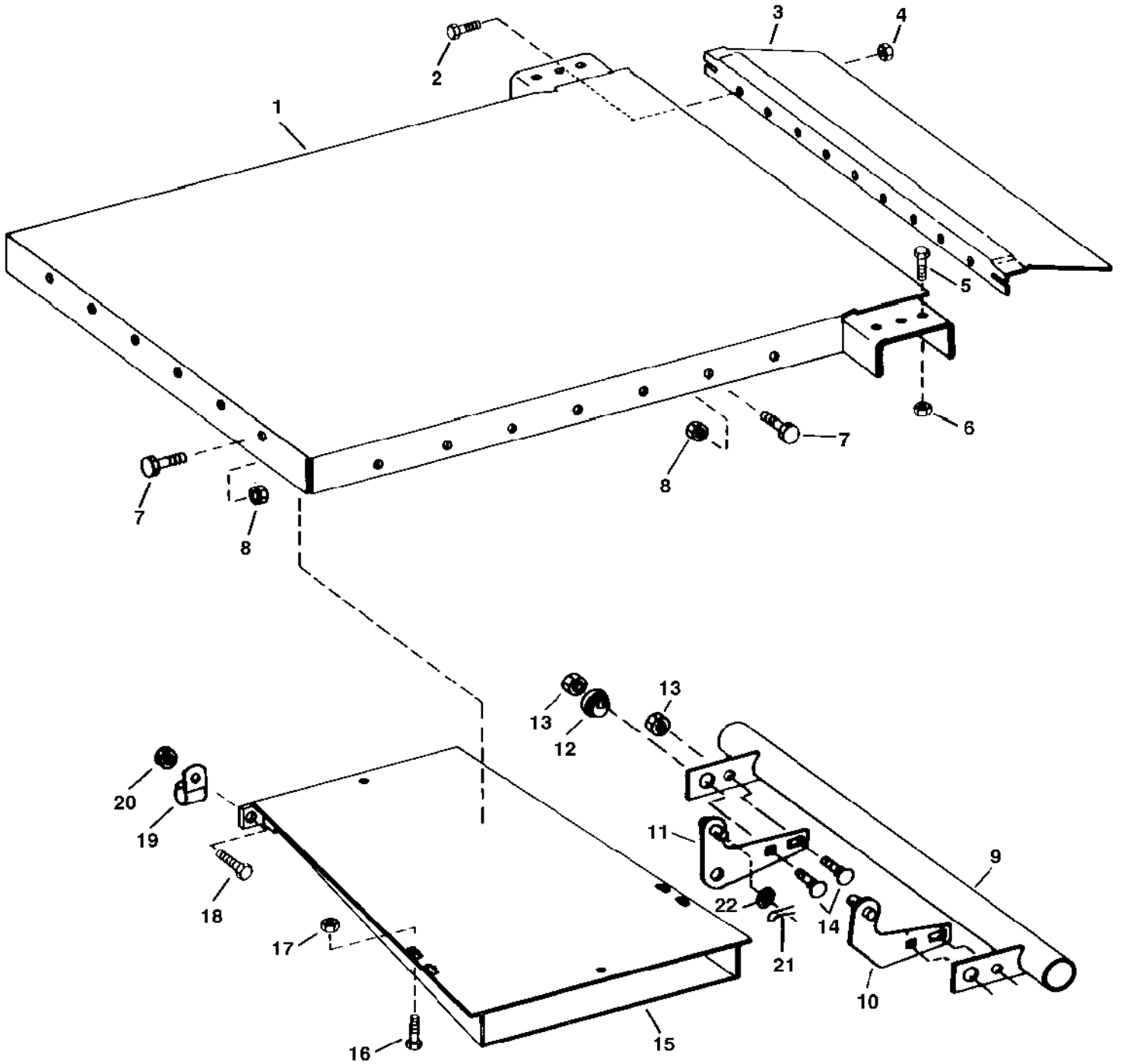
FEEDER HOUSE FRAME AND UPPER SHAFT

KEY	PART NO.	PART NAME	QTY	SERIAL NO.	REMARKS
1	H143354	SPACER	1		
2	JD10020	BALL BEARING	1		
3	H147593	HOUSING	2		
4	19M7789	SCREW	6	M12 X 30	
5	H156580	SET SCREW	6		
6	H159613	CHAIN SPROCKET	2		
7	JD9373	BALL BEARING	1	FIXED SPEED	
8	03M7191	BOLT	4	M10 X 25	
9	14M7296	FLANGE NUT	4	M10	
10	H147482	BRACKET	2		
11	H156578	SHAFT KEY	2		
12	H156576	SHAFT	1		
13	H159614	CHAIN SPROCKET	1		
14	H156579	SHAFT KEY	1		
15	26H103	SHAFT KEY	1		
16	19M7597	CAP SCREW	6	M20 X 50	
17	24M7242	WASHER	1		
18	14M7300	FLANGE NUT	6	M20	
19	AH141399	TUBE	1		
20	19M7785	SCREW	6	M10 X 25	
21	19M7895	SCREW	6	M20 X 50	

3H20

FEEDER HOUSE

FEEDER HOUSE FLOOR
HP6875 -UN-18AUG97



HP6875

3H21

FEEDER HOUSE

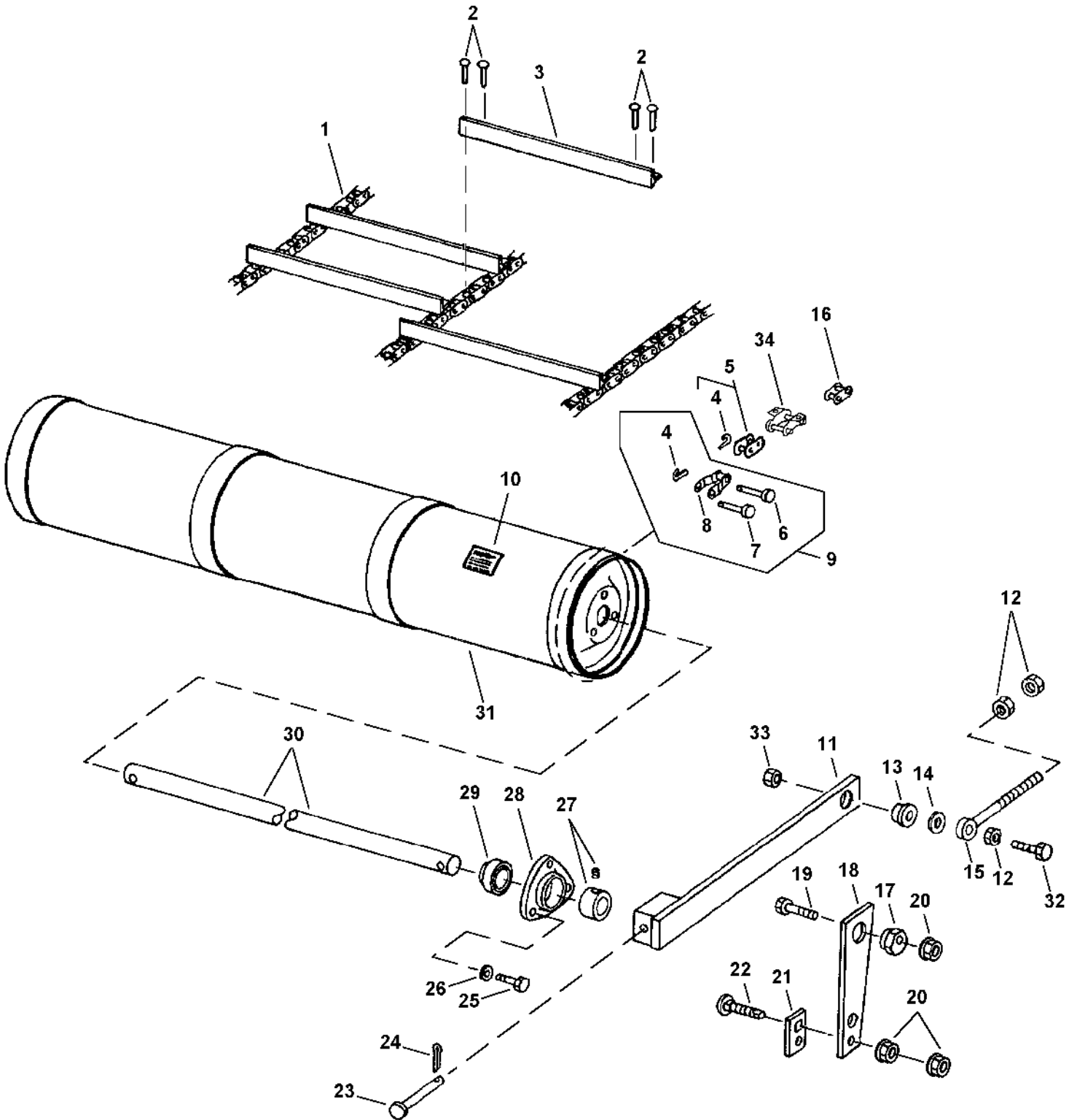
FEEDER HOUSE FLOOR - CONTINUED

KEY	PART NO.	PART NAME	QTY	SERIAL NO.	REMARKS
1	AH137733	FLOOR	1	(SUB AH159703)	
	AH159703	FLOOR	1		
2	03M7190	BOLT	8	M10 X 20	
3	H131452	SEAL	1		
4	14M7296	FLANGE NUT	8	M10	
5	19M7895	SCREW	6	M20 X 50	
6	14M7300	FLANGE NUT	6	M20	
7	19M7789	SCREW	16	M12 X 30	
8	14M7299	FLANGE NUT	16	M12	
9	AH141780	SUPPORT	1		
10	AH141782	ARM	1		
11	AH141781	ARM	1		
12	H97322	CAM	1		
13	14M7299	FLANGE NUT	4	M12	
14	19M7790	SCREW	1	M12 X 35	
15	AH131303	PAN	1		
16	19M7865	SCREW	2	M8 X 16	
17	14M7298	FLANGE NUT	2	M8	
18	19M7784	SCREW	2	M10 X 20	
19	AH89557	CLIP	1	(SUB AH77279)	
	AH77279	CLIP	1		
20	14M7296	FLANGE NUT	2	M10	
21	11M7028	COTTER PIN	2	5 X 32 MM	
22	24M7053	WASHER	2	17 X 30 X 3 MM	

3H22

FEEDER HOUSE

FEEDER CONVEYOR IDLER SHAFT, DRUM AND CHAIN
HP7300 -UN-22DEC97



HP7300

3H23

FEEDER HOUSE

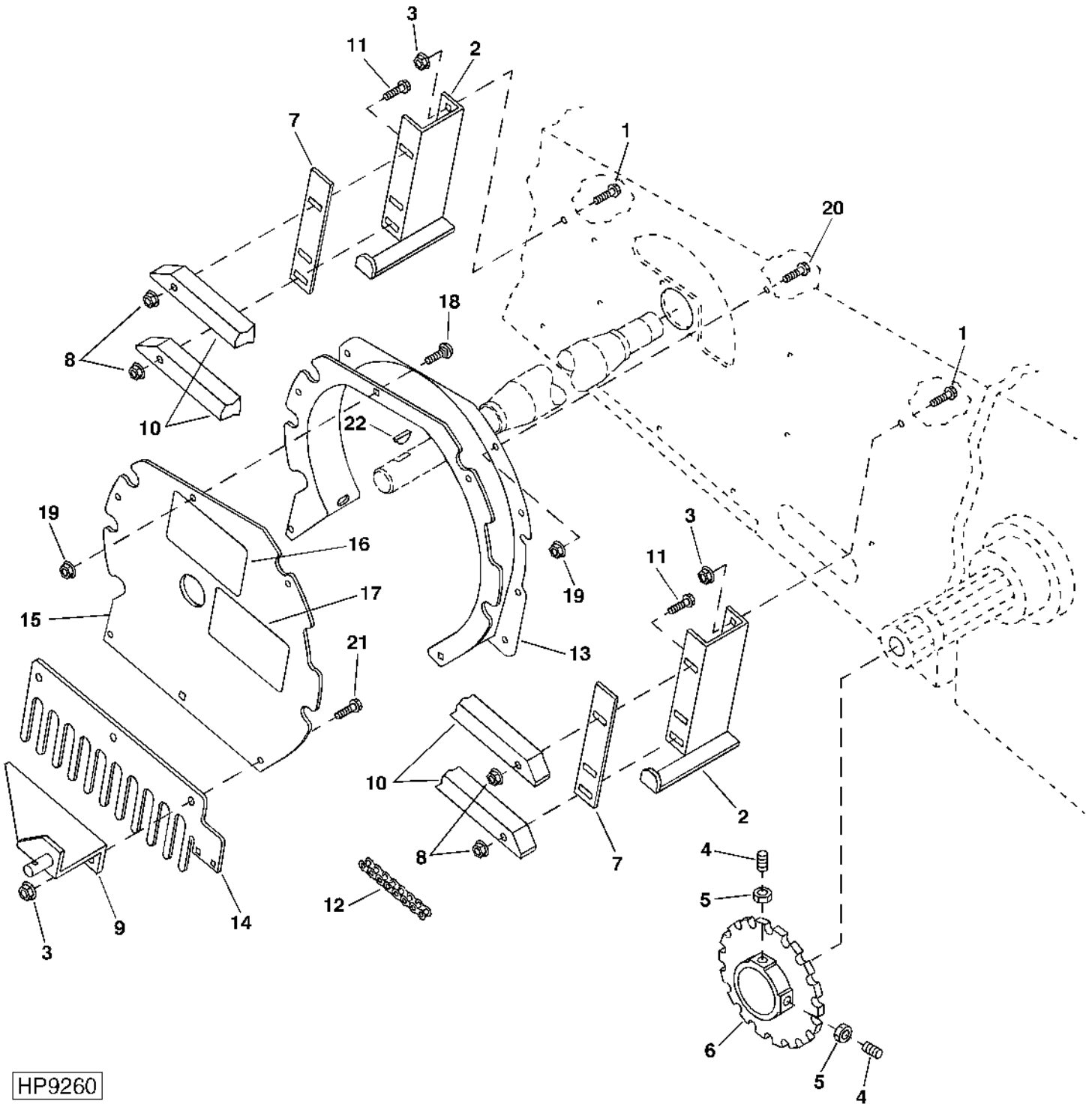
FEEDER CONVEYOR IDLER SHAFT, DRUM AND CHAIN - CONTINUED

KEY	PART NO.	PART NAME	QTY	SERIAL NO.	REMARKS
1	AH137845	CONVEYOR	1		NARROW SPACED (49 SLATS)
	AH138187	CONVEYOR	1		WIDE SPACED (34 SLATS)
2	16H1083	RIVET	196		5/16" X 5/8", (CONNECTING LINK TO SLAT)
3	H134002	SLAT	49		
4	H84026	HOOK	6		
5	AH137630	CHAIN LINK	5		
6	PIN	3		
7	PIN	3		
8	LINK	3		
9	AH137631	CHAIN LINK	3		REPAIR KIT
10	H150588	LABEL	1		
11	AH126091	ARM	2		
12	14M7291	FLANGE NUT	6		M16
13	H131087	BUSHING	2		
14	24H1368	WASHER	2		21/32" X 1-5/16" X 0.090"
15	H131088	EYEBOLT	2		
16	AH158635	CHAIN LINK	1		
17	H97322	CAM	2		
18	H84942	PLATE	2		
19	H139098	BOLT	2		M12 X 51.500
20	14M7299	FLANGE NUT	6		M12
21	H144201	ADJUSTING STRAP	2		
22	H154331	BOLT	2		
23	45M7040	PIN	2		10 X 60 MM
24	11M7059	COTTER PIN	2		3.200 X 20 MM
25	19M7790	SCREW	6		M12 X 35
26	12H304	LOCK WASHER	6		3/8"
27	JD8551	ECCENTRIC LOCKING COLLAR	2		
28	H138753	HOUSING	2		
29	JD8552	BALL BEARING	2		
30	H123734	SHAFT	1		
	AH142394	DRUM	1		
32	19M7399	CAP SCREW	2		M16 X 85
33	W39621	NUT	2		
34	AH158328	LINK	1		

3H24

FEEDER HOUSE

FEEDER CONVEYOR DRIVE CHAIN, TIGHTENER AND GUIDES
HP9260 -UN-11NOV99



HP9260

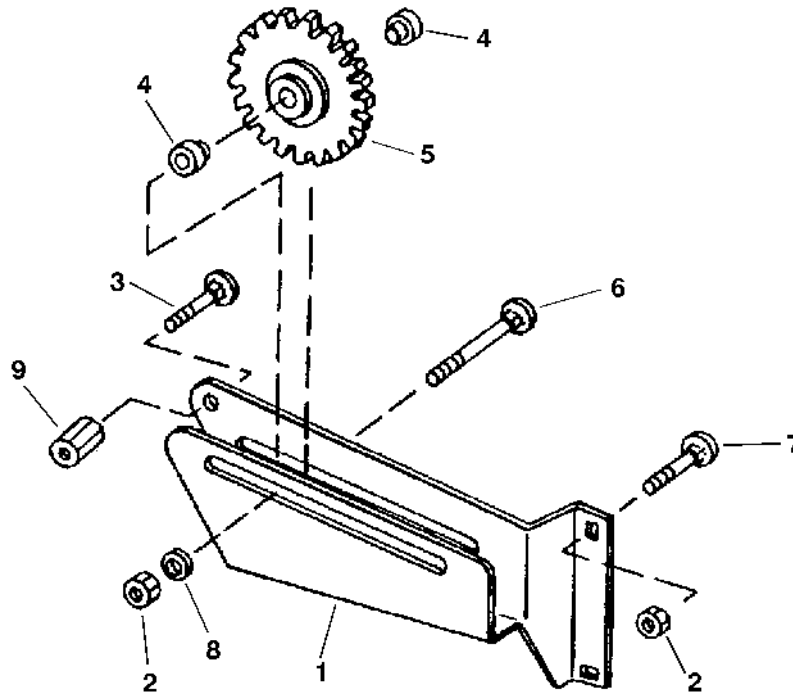
3H25

FEEDER HOUSE

FEEDER CONVEYOR DRIVE CHAIN, TIGHTENER AND GUIDES - CONTINUED

KEY	PART NO.	PART NAME	QTY	SERIAL NO.	REMARKS
1	03M7190	BOLT	2		
2	H162325	BRACKET	2		
3	14M7296	FLANGE NUT	6		
4	A50743	BOLT	2		
5	14M7272	NUT	2	M6	
6	H135772	WHEEL	1		ROLLER, TYPE 60, 19 MM (3/4") 220 LINKS (SMALL SPROCKET) AND 223 LINKS (LARGE SPROCKET); (OR ASSEMBLE FROM (4) AB1288H AND AB1289H)
7	H162326	PLATE	1		
8	14M7400	LOCK NUT	4	M10	
9	AH155739	BRACKET	1		
10	H130530	GUIDE	2		
11	03M7233	BOLT	4	M10 X 70	
12	AH145029	LINK CHAIN	1		
13	AH155659	PLATE	1		
14	H172177	FINGER	1		(SUB FOR H162425)
15	H171318	COVER	1		(SUB FOR H162177) NARROW AIR FLOW
16	H149063	LABEL	1		
17	H164537	SIGN	1		
18	19M7789	SCREW	1	M12 X 30	
19	14M7299	FLANGE NUT	7	M12	
20	03M7198	BOLT	6	M12 X 30	
21	19M7785	SCREW	2	M10 X 25	
22	26M6787	SHAFT KEY	3	10 X 32 MM	

FEEDER CONVEYOR DRIVE CHAIN IDLER BRACKET
HP6939 -UN-22SEP97

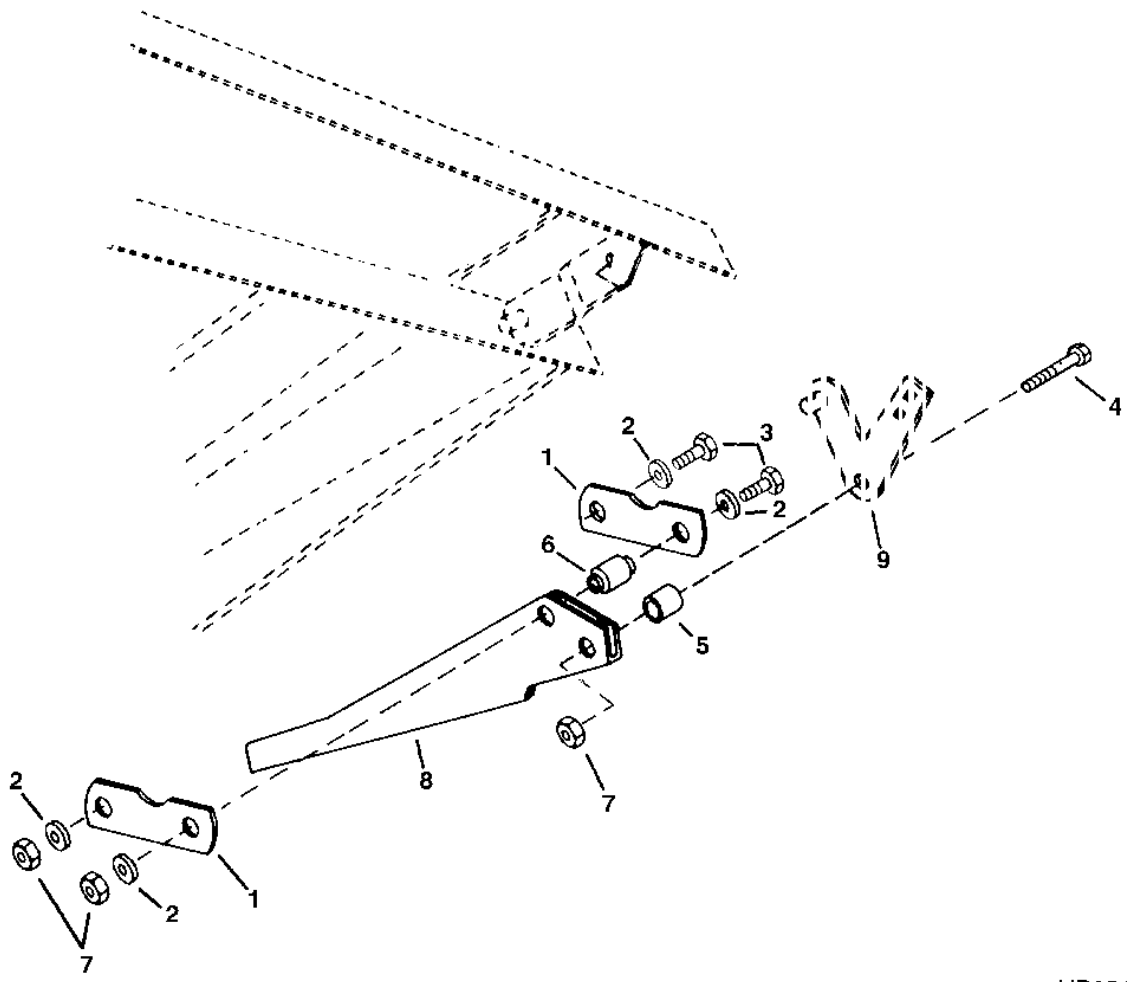


HP6939

FEEDER CONVEYOR DRIVE CHAIN IDLER BRACKET - CONTINUED

KEY	PART NO.	PART NAME	QTY	SERIAL NO.	REMARKS
1	H141500	BRACKET	1		
2	14M7299	FLANGE NUT	2	M12	
3	19M7785	SCREW	1	M10 X 25	
4	H130529	SPACER	2		
5	AE27909	CHAIN SPROCKET	1		
6	03M7226	BOLT	1	M12 X 70	
7	03M7198	BOLT	10	M12 X 30	
8	24H1226	WASHER	1	1/2" X 1-1/4" X 0.083"	
9	H143489	BUSHING	1		

FEED PLATE LATCH HANDLE
HP6514 -UN-15JUL96



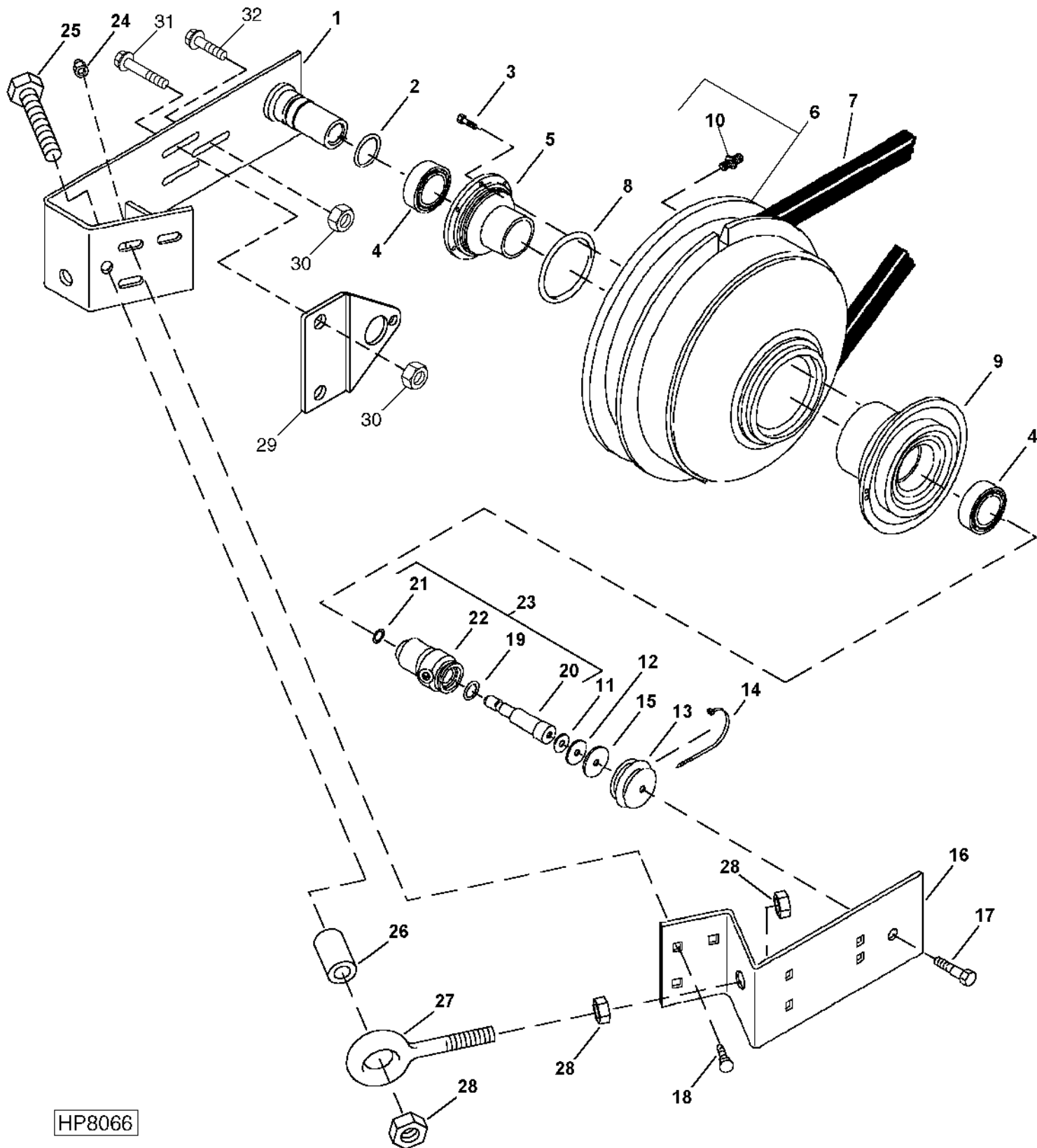
HP6514

FEED PLATE LATCH HANDLE - CONTINUED

KEY	PART NO.	PART NAME	QTY	SERIAL NO.	REMARKS
1	H136144	ADJUSTING STRAP	2		
2	24M7207	WASHER	4	8.400 X 24 X 2 MM	
3	19M8318	SCREW	2	M8 X 45	
4	19M8291	SCREW	1	M8 X 35	
5	H133060	SLEEVE	1		
6	H132988	BUSHING	1		
7	14M7396	LOCK NUT	3	M8	
8	H132986	HANDLE	1		
9	ARM	1		IDENTIFIED WITH FEEDER HOUSE FLOOR

VARIABLE DRIVE UPPER COUNTERSHAFT, SHEAVES AND SUPPORTS

HP8066 -UN-13APR99

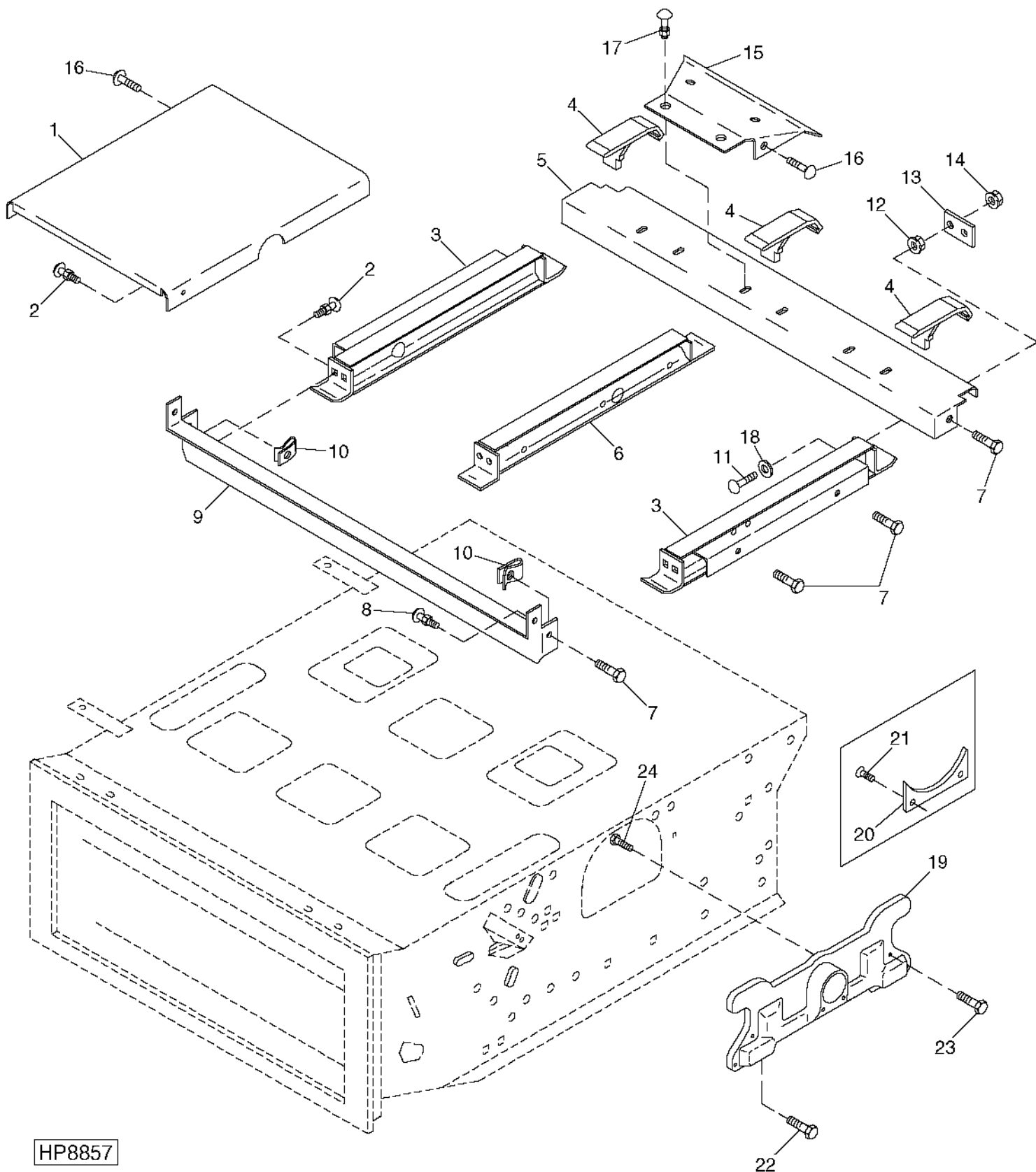


HP8066

VARIABLE DRIVE UPPER COUNTERSHAFT, SHEAVES AND SUPPORTS - CONTINUED

KEY	PART NO.	PART NAME	QTY	SERIAL NO.	REMARKS
1	AH154961	STRAP	1		
2	R31378	O-RING	1		
3	19M7868	SCREW	6	M8 X 30	
4	JD10018	BEARING	2		
5	H97378	HUB	1	INNER	
6	AH157934	SHEAVE	1	360 MM (14-15/64") DIA.	(SUB FOR H125489)
7	H151952	BELT	1		
8	AH136497	SEAL	1		
9	H160869	HALF SHEAVE	1	318 MM (12-35/64") DIA.	
10	JD7759	LUBRICATION FITTING	2	STRAIGHT, 1/8"	
11	24H1740	WASHER	AR	21/32" X 1-3/8" X 0.032", STRAIGHT, 1/4"	
12	H101448	WASHER	AR	(SPECIAL)	
13	H93084	BOOT	1		
14	H77698	TIE BAND	1	SELF-LOCKING	
15	H161388	WASHER	1		
16	H166971	STRAP	1	(SUB FOR H161387)	
17	19M7793	SCREW	1	M16 X 40	
18	03M7192	BOLT	3	M10 X 30	
19	H100247	SEAL	1		
20	H161544	PISTON	1		
21	H100246	SEAL	1		
22	H100245	HYDRAULIC CYLINDER BARREL	1		
23	AH154960	CYLINDER	1		
24	14M7296	FLANGE NUT	3	M10	
25	19M7892	CAP SCREW	1	M20 X 80	
26	H162288	BUSHING	1		
27	H162269	EYEBOLT	1		
28	14M7277	NUT	3	M20	

FEEDER HOUSE RETURN FLOOR
HP8857 -UN-28JUL99

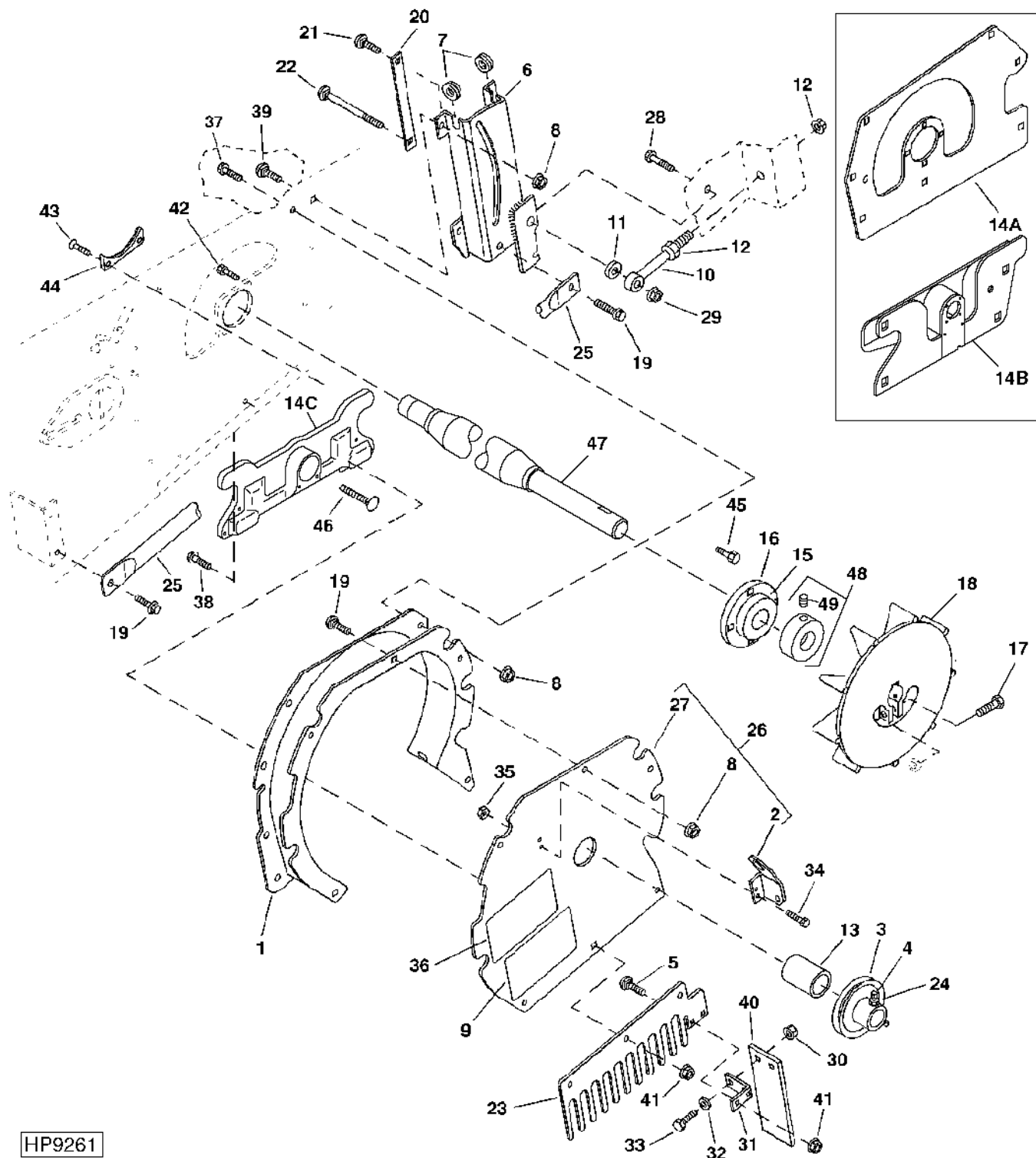


HP8857

FEEDER HOUSE RETURN FLOOR - CONTINUED

KEY	PART NO.	PART NAME	QTY	SERIAL NO.	REMARKS
1	AH155650	FLOOR	2		
2	03M7190	BOLT	8	M10 X 20	
	14M7296	FLANGE NUT	8	M10	
3	AH139243	RUNNER	2		OUTSIDE RUNNER
4	H148187	ANGLE	3		
5	AH141861	SUPPORT	1		
6	AH157942	RUNNER	1		INSIDE RUNNER
7	19M7785	SCREW	6	M10 X 25	
8	03M7191	BOLT	2	M10 X 25	
	14M7296	FLANGE NUT	2	M10	
9	H143358	CHANNEL	1		
10	H146457	NUT	2	10 MM (0.394")	
11	03M7194	BOLT	6	M10 X 40	
12	14M7296	FLANGE NUT	6	M10	
13	H150458	STRAP	3		
14	14M7400	LOCK NUT	6	M10	
15	H145464	STRIPPER	3		STRIPPER - TOP SHAFT
16	19M7785	SCREW	6	M10 X 25	
17	03M7191	BOLT	6	M10 X 25	
	14M7296	FLANGE NUT	6	M10	
18	24M7028	WASHER	6	10.500 X 20 X 2 MM	
19	AH159053	SCOOP	1	-680219	
	AH159054	SCOOP	1	-680219	
	H168278	SCOOP	2	680220-	
20	H164391	STRIPPER	2		
21	H165318	SCREW	2		
22	19M7788	SCREW	4	M12 X 25	
23	03M7198	BOLT	2		
24	H144962	SCREW	4	(SUB FOR H165317)	
..	BH81390	COMPLETE GOODS/SHIP. BUNDLE	1	FEEDER HOUSE - AIR SCOOP	

LH SIDE FEEDER HOUSE DUST FAN
HP9261 -UN-11NOV99



HP9261

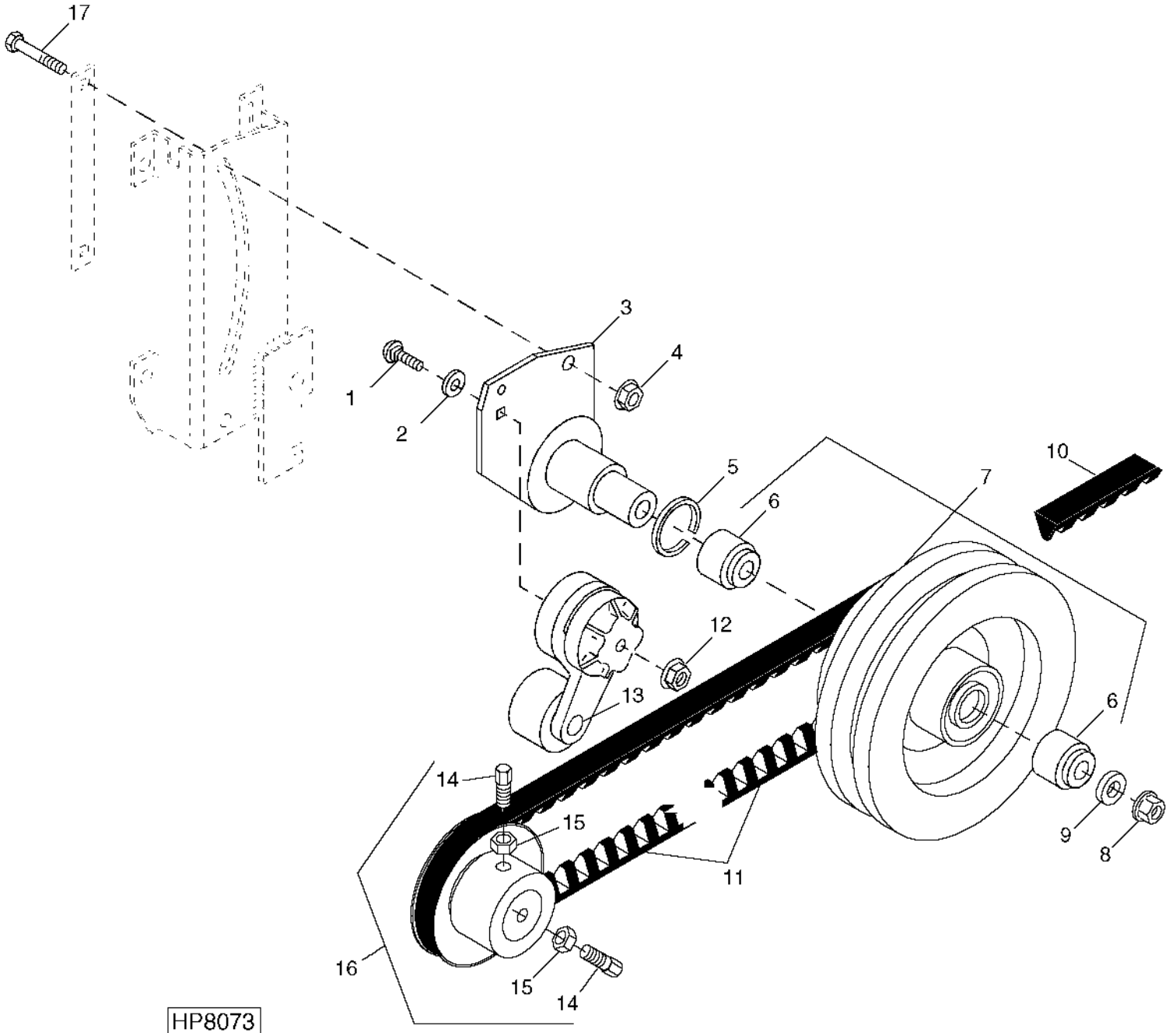
LH SIDE FEEDER HOUSE DUST FAN - CONTINUED

KEY	PART NO.	PART NAME	QTY	SERIAL NO.	REMARKS
1	AH155657	PLATE	1		
2	H134417	BRACKET	1		
3	AH155707	SHEAVE	1		
4	H138435	SET SCREW	1		
5	19M7845	SCREW	1		
6	AH155703	BRACKET	1		
7	R66626	GROMMET	2		
8	14M7299	FLANGE NUT	AR	M12	
9	H164537	SIGN	1		
10	H164222	EYEBOLT	1		
11	24M7349	WASHER	2	21 X 37 X 3 MM	
12	14M7277	NUT	2	M20	
13	H163994	SPACER	1		
14A	H164030	SUPPORT	1	(SUB AH159053 OR AH159054)	
14B	AH159053	SCOOP	1	(SUB H168278)	
	AH159054	SCOOP	1	(SUB H168278)	
14C	H168278	SCOOP	2		
15	AZ19427	BALL BEARING	1		
16	AH157168	BEARING	1		
17	19M7806	SCREW	1	M10 X 50	
18	AH157415	FAN	1		
19	19M7789	SCREW	3	M12 X 30	
20	H162211	ADJUSTING STRAP	1		
21	03M7205	BOLT	1	M16 X 40	
22	H163175	BOLT	1		
23	H172177	FINGER	1	(SUB FOR H162425)	
24	14M7152	NUT	1	M10	
25	H162278	BRACE	1		
26	AH155833	COVER	1		
27	H171318	COVER	1	(SUB FOR H162177)	
28	19M7963	CAP SCREW	1	M20 X 100	
	19M8224	CAP SCREW	1		
29	14M7277	NUT	3	M20	
30	14M7400	LOCK NUT	4	M10	
31	H164009	BRACKET	1		
32	24M7178	WASHER	4	10.500 X 30 X 2.500 MM	
33	03M7191	BOLT	4	M10 X 25	
34	03M7183	BOLT	2	M8 X 16	
35	14M7298	FLANGE NUT	2	M8	
36	H149063	LABEL	1		
37	03M7198	BOLT	6	M12 X 30	
38	19M7785	SCREW	2	M10 X 25	
39	03M7192	BOLT	5	M10 X 30	
40	H164018	LIMIT CURTAIN	2		
41	14M7296	FLANGE NUT	AR	M10	
42	H165317	SCREW	4		
43	H165318	SCREW	2		
44	H164391	STRIPPER	2		
45	03M7198	BOLT	2		
46	H144962	SCREW	4	M10 X 25	
47	H164411	SHAFT	1		
48	AH133191	ECCENTRIC LOCKING COLLAR	1		
49	22M7081	SET SCREW	1		

3111

FEEDER HOUSE

LH FEEDER HOUSE DUST FAN BELT
HP8073 -UN-08APR99



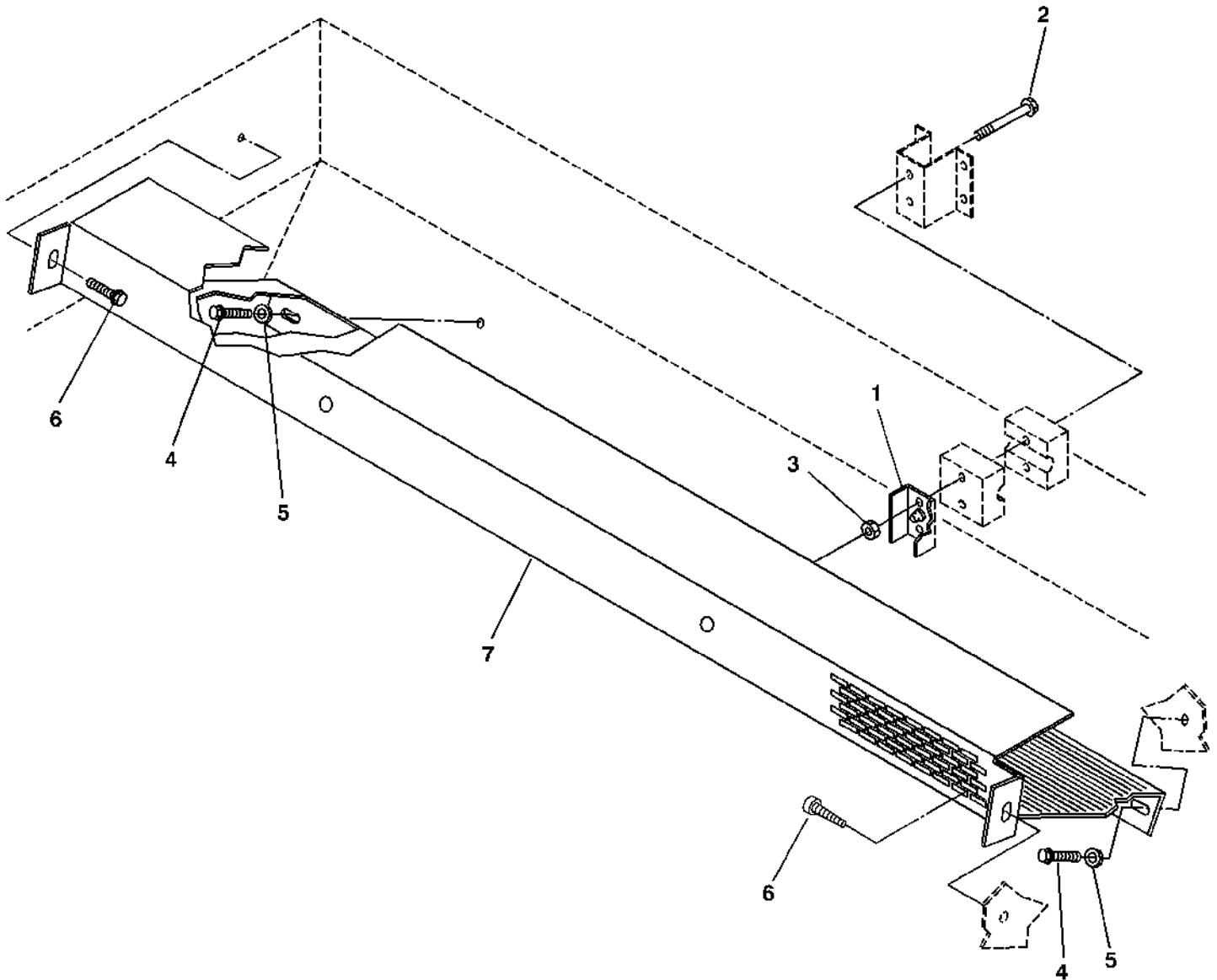
LH FEEDER HOUSE DUST FAN BELT - CONTINUED

KEY	PART NO.	PART NAME	QTY	SERIAL NO.	REMARKS
1	19M7809	SCREW	1		
2	24M7028	WASHER	1		
3	AH156975	BRACKET	1		
4	14M7296	FLANGE NUT	5		M10
5	P46874	SNAP RING	1		
6	AN142665	BALL BEARING	2		
7	AH155715	SHEAVE	1		
8	14M7291	FLANGE NUT	3		M16
9	24M7315	WASHER	1		
10	H161648	BELT	1		
11	H164452	BELT	1		
12	14M7296	FLANGE NUT	3		M10
13	AH155348	TIGHTENER	1		
14	H138435	SET SCREW	2		M10 X 25
15	14M7152	NUT	2		M10
16	AH155707	SHEAVE	1		

3113

FEEDER HOUSE

INTAKE SHIELD
HP7287 -UN-05DEC97



HP7287

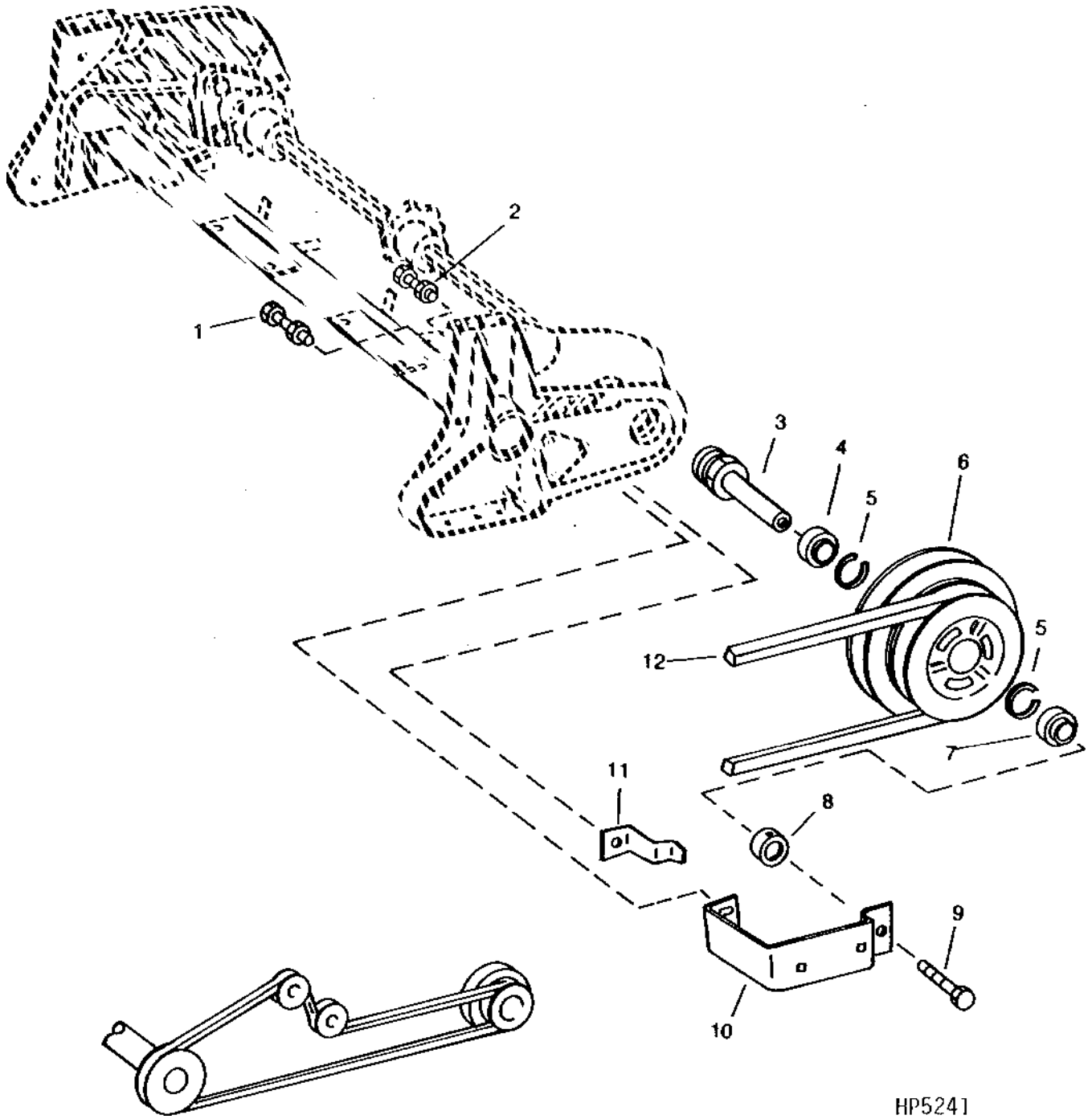
3114

FEEDER HOUSE

INTAKE SHIELD - CONTINUED

KEY	PART NO.	PART NAME	QTY	SERIAL NO.	REMARKS
1	AH155275	FITTING	1		
2	19M8039	SCREW	2		M8 X 80
3	14M7396	LOCK NUT	2		M8
4	37M7086	SCREW	2		M10 X 20
5	24M7178	WASHER	2		10.500 X 30 X 2.500 MM
6	37M7058	SCREW	2		M8 X 20
7	H164494	SHIELD	1		NARROW

UPPER DRIVE SHAFT, SHEAVE AND MOUNTINGS
(FIXED SPEED WITH REVERSER)
HP5241 -UN-01JAN94



HP5241

3116

FEEDER HOUSE

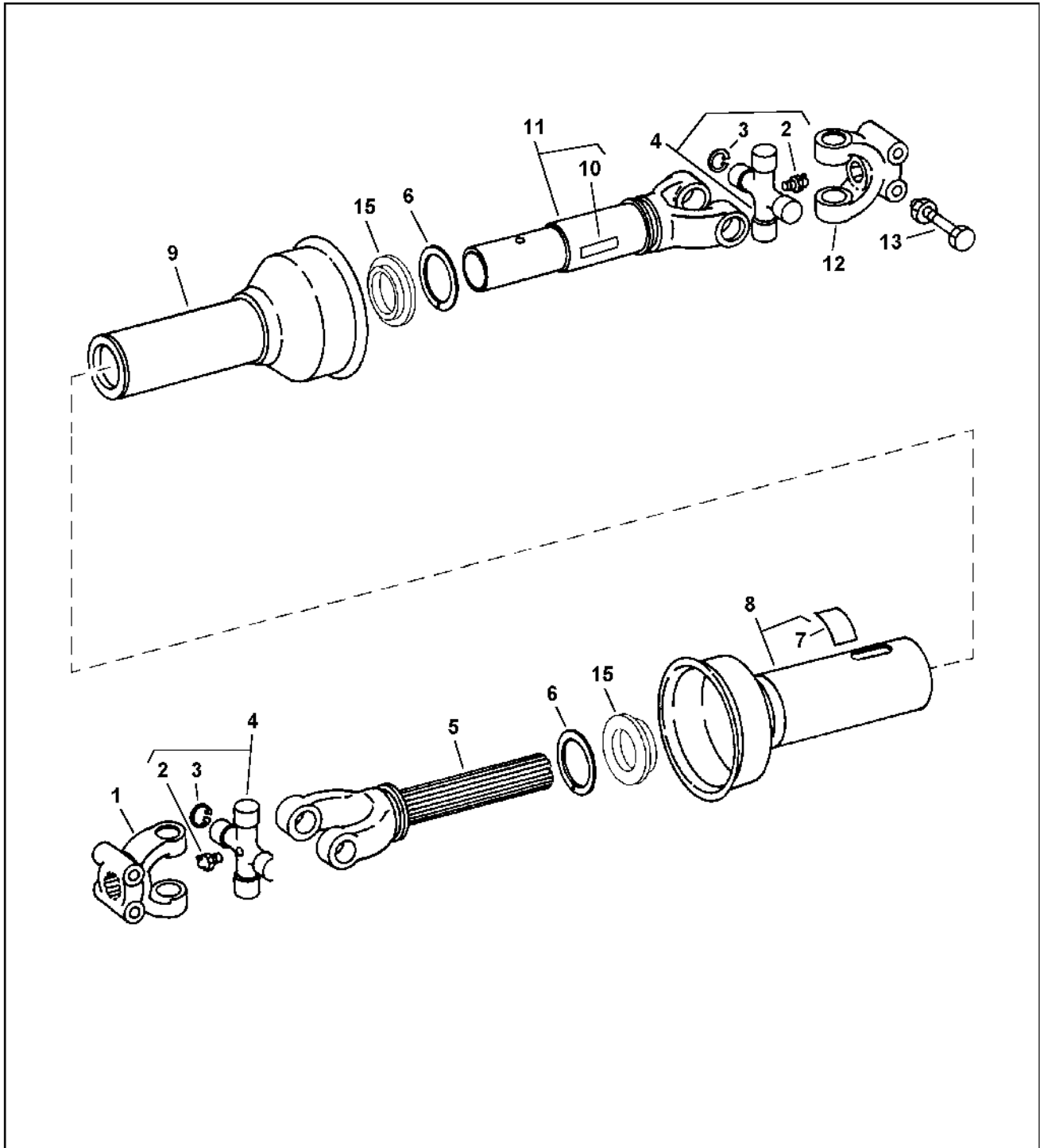
**UPPER DRIVE SHAFT, SHEAVE AND MOUNTINGS - CONTINUED
(FIXED SPEED WITH REVERSER)**

KEY	PART NO.	PART NAME	QTY	SERIAL NO.	REMARKS
1	19M7790	SCREW	1	M12 X 35	
	14M7299	FLANGE NUT	1	M12	
2	19M7789	SCREW	1	M12 X 30	
	14M7299	FLANGE NUT	1	M12	
3	AH125454	SHAFT	1		
4	JD9301	BALL BEARING	1		
5	P46874	SNAP RING	1		
6	H126261	SHEAVE	1		
7	JD9356	BALL BEARING	1		
8	JD8576	ECCENTRIC LOCKING COLLAR	1		
9	19M7790	SCREW	1	M12 X 35	
10	H172142	STRAP	1	(SUB FOR H134088)	
11	H126302	SCRAPER	1		
12	H126345	BELT	1		

3117

FEEDER HOUSE

CONTOUR MASTER DRIVE SHAFT (FOR 444, 494 CORNHEAD AND 914 BPU)
HP7603 -UN-31JUL98



14

HP7603

3118

FEEDER HOUSE

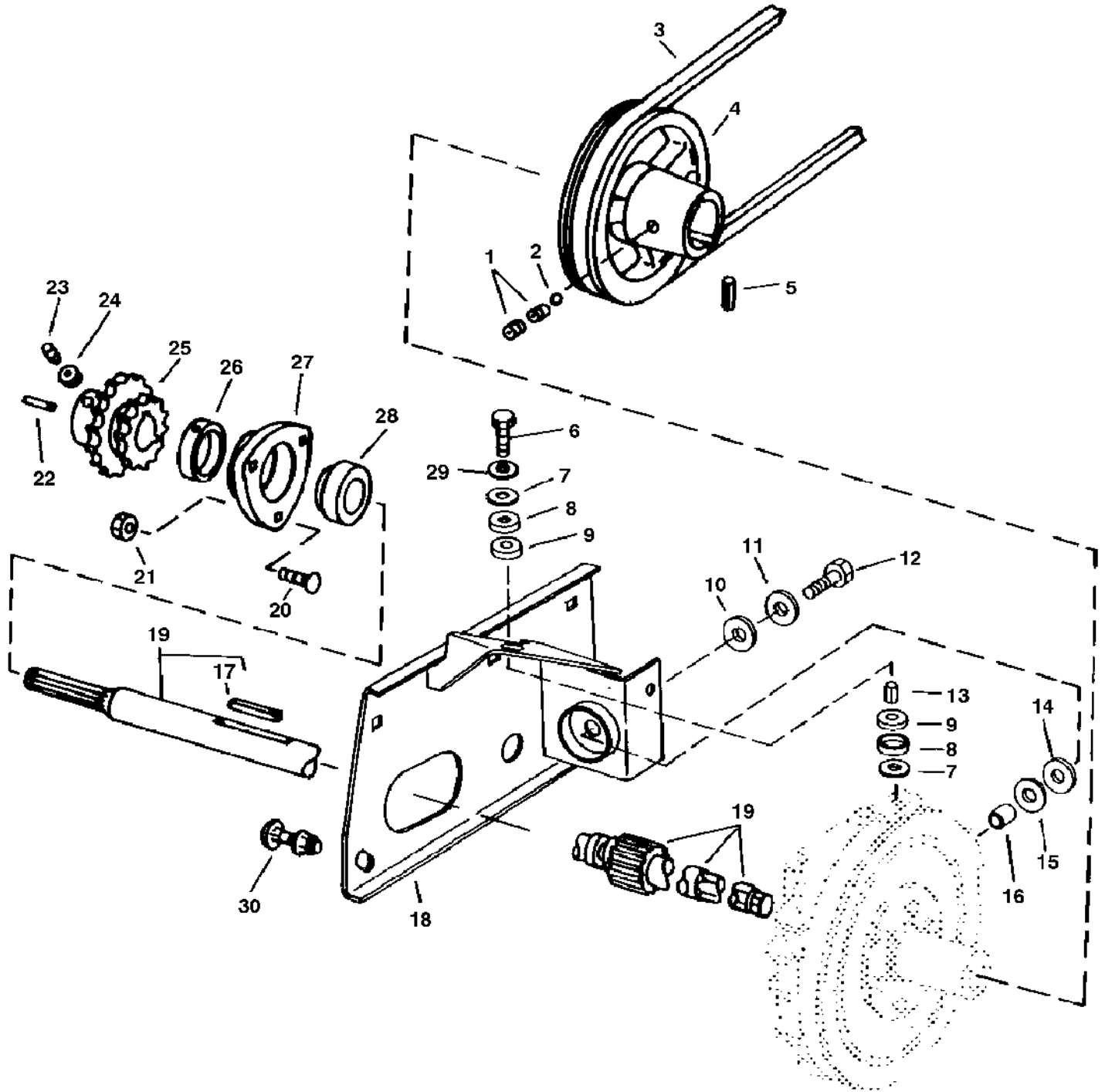
KEY	PART NO.	PART NAME	QTY	SERIAL NO.	REMARKS
1	H164775	UNIVERSAL JOINT YOKE	1		SPLINE BORE
2	JD7760	LUBRICATION FITTING	2		
3	BP12946	SNAP RING	2		
4	AE23516	CROSS AND BEARING ASSEMBLY	2		
5	AH156360	YOKE	1		
6	BEARING	2		(SUB AH143512)
7	E82514	LABEL	1		"DRIVE LINE ENTANGLEMENT"
8	AH156362	GUARD	1		
9	AH156363	GUARD	1		
10	W43141	LABEL	1		"DANGER (SHIELD MISSING)"
11	AH156361	YOKE	1		
12	H164774	YOKE	1		HEX BORE
13	19M7818	SCREW	4		M12 X 80
	14M7401	LOCK NUT	4		M12
14	AH154328	UNIVERSAL JOINT, WITH SHAFT	1		COMPLETE (R.H. SIDE ONLY)
	H163010	LABEL	1		494/914 LATERAL TILT
15	RETAINER	2		(SUB AH143512)
..	AH143512	KIT	1		
..	BH81360	COMPLETE GOODS/SHIP. BUNDLE	1		CONTOUR MASTER SHAFT

3119

FEEDER HOUSE

FRONT DRIVE SHAFT, SHEAVE AND MOUNTINGS (FIXED SPEED WITH REVERSER)

HP6878 -UN-18AUG97

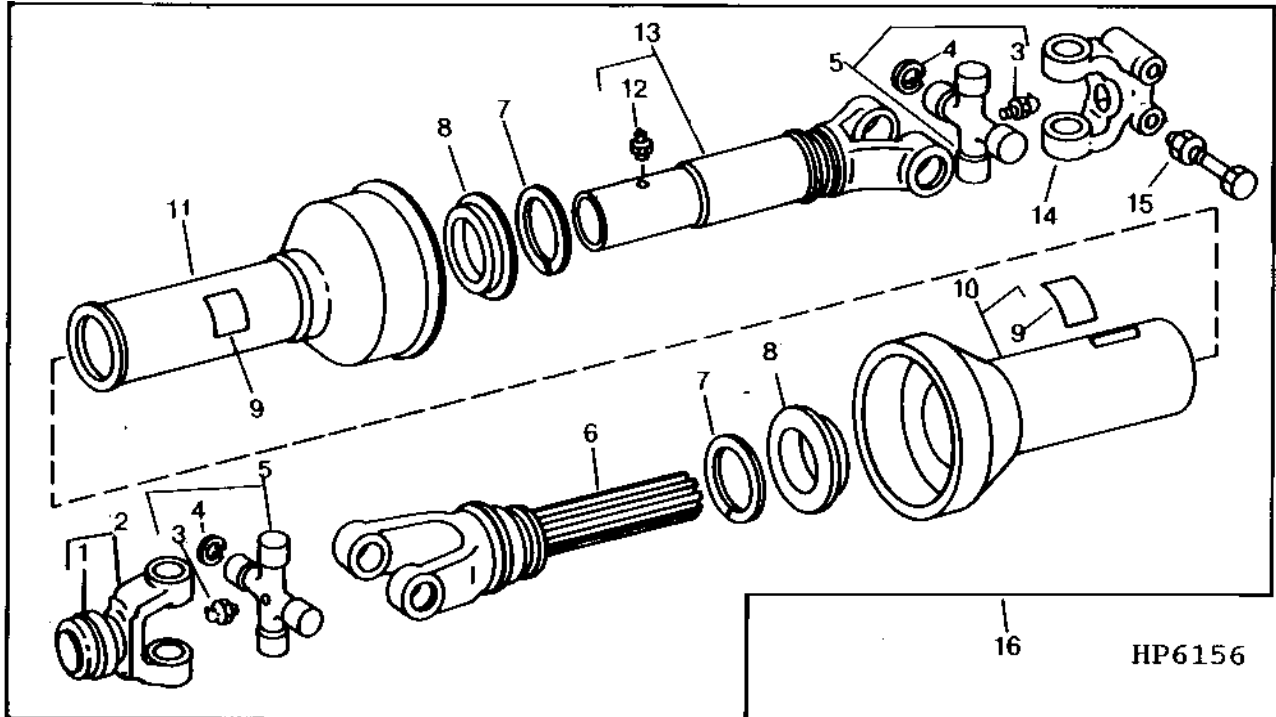


HP6878

**FRONT DRIVE SHAFT, SHEAVE AND MOUNTINGS - CONTINUED
(FIXED SPEED WITH REVERSER)**

KEY	PART NO.	PART NAME	QTY	SERIAL NO.	REMARKS
1	22H775	SET SCREW	2		5/16" X 1/4"
2	H110922	BALL	1		
3	H126345	BELT	1		
4	H108889	SHEAVE	1		
5	34H305	SPRING PIN	1		
6	19M7827	SCREW	1		M16 X 80
7	P50456	WASHER	2		
8	H148132	BUSHING	2		
9	H148133	RETAINER	2		
10	T55761	SUPPORT	1		RUBBER WASHER
11	R20136	WASHER	1		
12	19M7845	SCREW	1		M16 X 90
13	H148134	SPACER	1		
14	R62502	SUPPORT	1		
15	H97410	WASHER	1		
16	H95417	SPACER	1		
17	KEY	1		
18	AH144099	SUPPORT	1		
19	AH97642	SHAFT	1		
	AH136873	SHAFT	1	-680231	CONTOUR MASTER
	AH152937	SHAFT	1	680232-	CONTOUR MASTER (USE WITH AH149349 (DRIVE SPROCKET) AND H170634 (TONE WHEEL))
20	03M7193	BOLT	3		M10 X 35
21	14M7296	FLANGE NUT	3		M10
22	M73000	SHAFT KEY	1		
23	H138435	SET SCREW	2		M10 X 25
24	14M7274	NUT	2		M10
25	AH125782	CHAIN SPROCKET	1		
	AH149349	DRIVE SPROCKET	1		USE WITH AH153341 (GEARBOX) AND H170634 (TONE WHEEL)
26	JD9201	ECCENTRIC LOCKING COLLAR	1		
27	H93927	HOUSING	1		
28	JD9202	BALL BEARING	1		
29	24M7241	WASHER	1		17 X 34 X 4 MM
30	03M7191	BOLT	4		M10 X 25
	14M7296	FLANGE NUT	5		M10
	03M7192	BOLT	1		M10 X 30

CONTOUR MASTER DRIVESHAFT
(FOR ALL HEADERS EXCEPT 444 CORNHEAD, 914 BPU)
HP6156 -UN-01SEP95



CONTOUR MASTER DRIVESHAFT - CONTINUED
(FOR ALL HEADERS EXCEPT 444 CORNHEAD, 914 BPU)

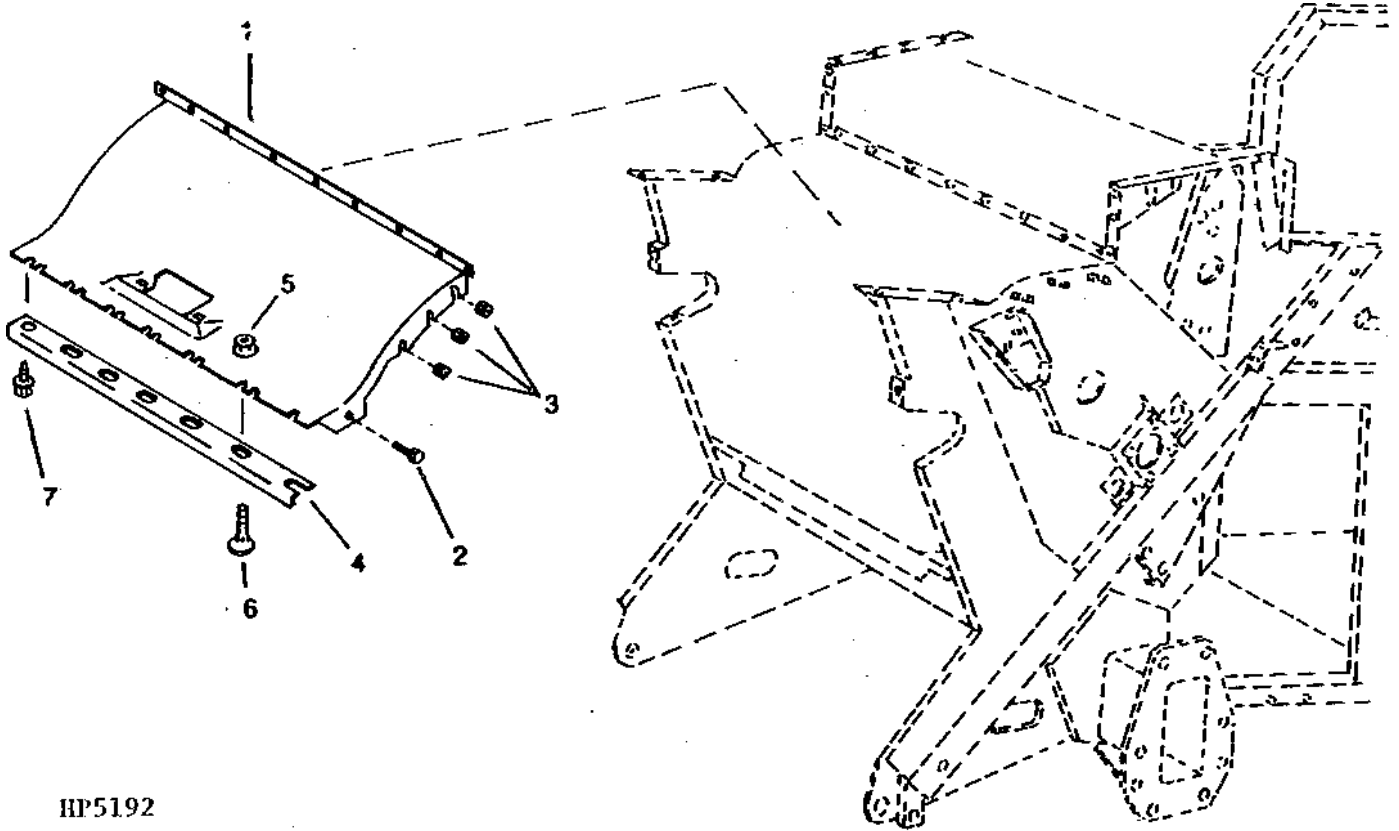
KEY	PART NO.	PART NAME	QTY	SERIAL NO.	REMARKS
1	AE49773	KIT	1		SLIDE LOCK
2	AH144523	UNIVERSAL JOINT YOKE	1		
3	JD7760	LUBRICATION FITTING	2		65° X 21.336 MM LONG (0.840" LONG)
4	BP12946	SNAP RING	4		
5	AE23516	CROSS AND BEARING ASSEMBLY	2		
6	AH145203	YOKE, WITH SHAFT	1		
7	AH143512	KIT	2		NYLON BEARING
8	BEARING	1		(SUB AH143512)
9	DECAL	2		(SUB E82514) "DANGER"
10	AH154742	POWERSHAFT SHIELD	1		OUTER
11	AH154740	PTO POWR-GARD SHIELD	1		INNER
12	JD7842	LUBRICATION FITTING	1		
13	AH145205	YOKE, WITH TUBE	1		
14	AH141248	UNIVERSAL JOINT YOKE	1		
	14M7401	LOCK NUT	2		M12
15	19M7818	SCREW	2		M12 X 80
16	AH141283	U-JOINT,WITH SHAFT & SHIELD	1		(SUB AH154737) COMPLETE
	AH154737	U-JOINT,WITH SHAFT & SHIELD	1		(SUB AH155077)
	AH155077	UNIVERSAL DRIVESHAFT	1		

MEMORANDA

MEMORANDA

4B5

THRESHING CYLINDER COVER
HP5192 -UN-01JAN94



HP5192

4B6

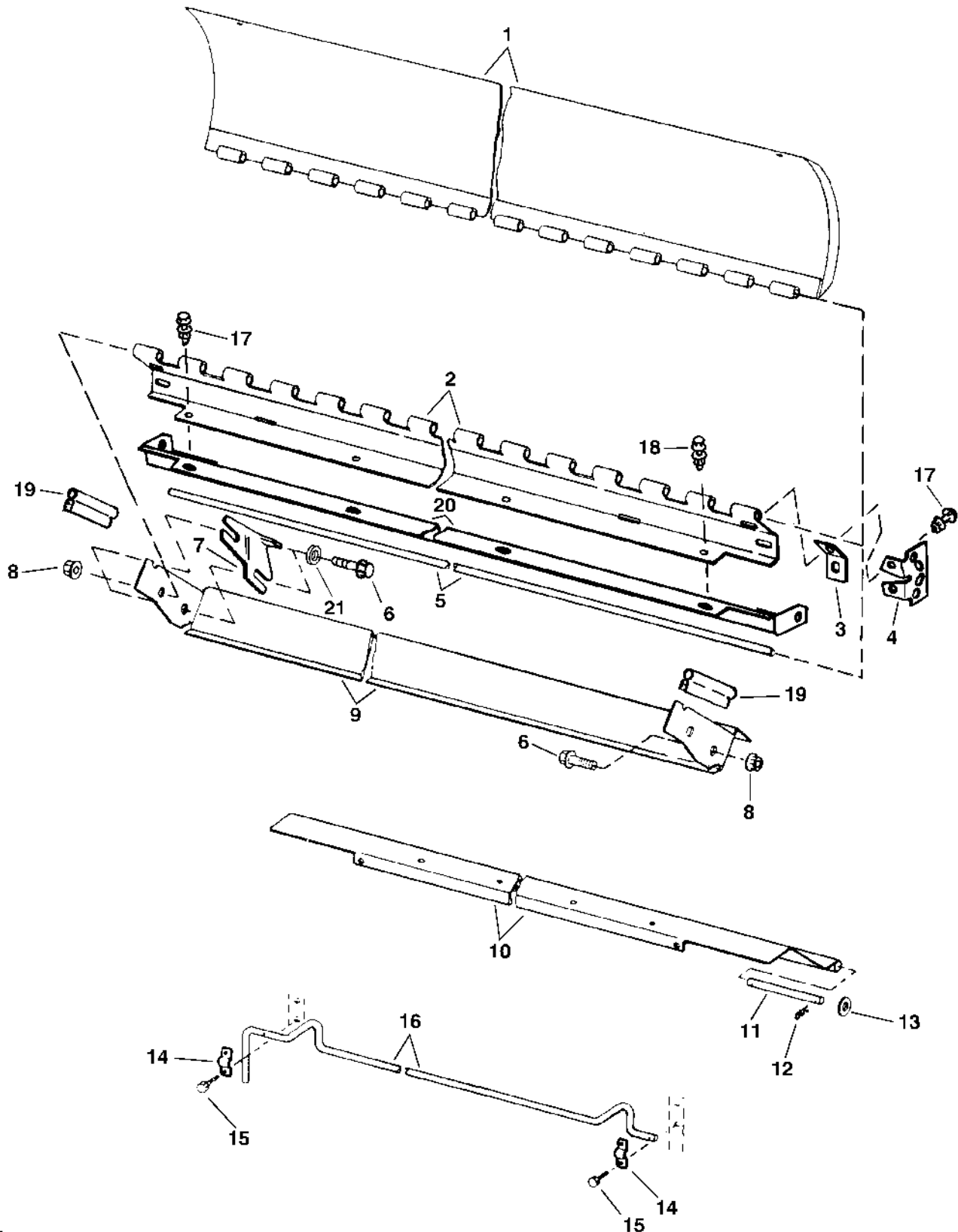
THRESHING AND SEPARATION

THRESHING CYLINDER COVER - CONTINUED

KEY	PART NO.	PART NAME	QTY	SERIAL NO.	REMARKS
1	H147845	COVER	1		
2	19M7785	SCREW	2	M10 X 25	
3	14M7296	FLANGE NUT	8	M10	
4	H134168	SEAL	1	(FOR CORN ONLY)	
5	14M7298	FLANGE NUT	6	M8	
6	03M7183	BOLT	6	M8 X 16	
7	37M7092	SCREW	1	M8 X 16	

4B7

SEPARATOR / FEEDER HOUSE SEAL, STONE TRAP AND DOOR
HP6795 -UN-03OCT97



HP6795

4B8

THRESHING AND SEPARATION

SEPARATOR / FEEDER HOUSE SEAL, STONE TRAP AND DOOR - CONTINUED

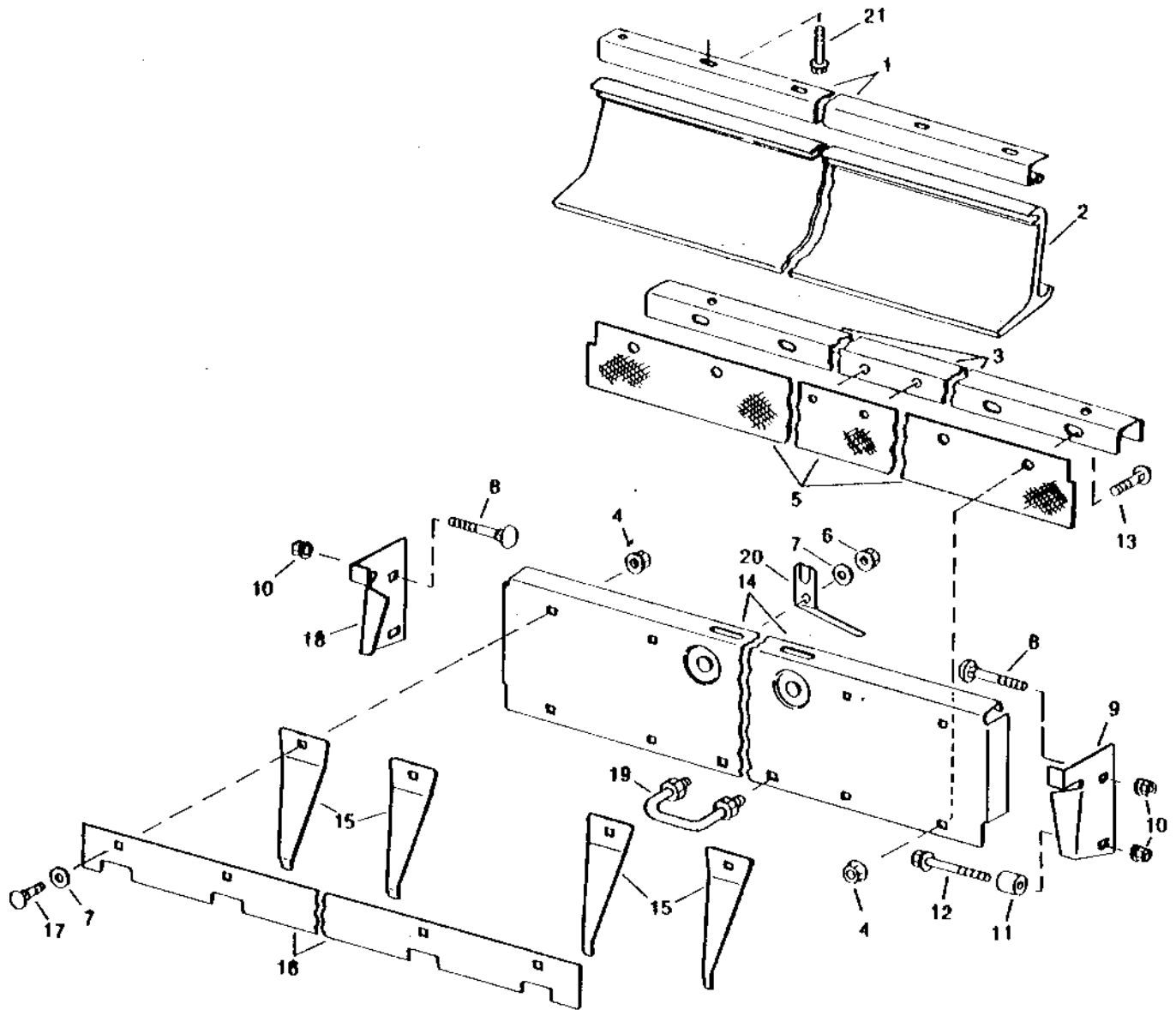
KEY	PART NO.	PART NAME	QTY	SERIAL NO.	REMARKS
1	AH120502	PLATE	1		
2	H148021	HINGE	1		
3	H148019	REINFORCEMENT	2		
4	H148018	SUPPORT	2		
5	PIN	1		MAKE FROM H130057 - CUT TO 1385 MM
6	19M7812	SCREW	6		M10 X 100
7	H146730	STOP	1		CASTING
8	14M7296	FLANGE NUT	6		M10
9	H151067	DEFLECTOR	1		
10	H134335	DOOR	1		
11	H148925	PIN	2		
12	11M7030	COTTER PIN	4		5 X 40 MM
13	24M7051	WASHER	2		21 X 37 X 3 MM
14	H134339	BRACKET	2		
15	37M7080	SCREW	4		M10 X 30
16	H134338	ROD	1		
17	03M7191	BOLT	4		
	14M7296	FLANGE NUT	4		
18	19M7866	SCREW	4		
	14M7298	FLANGE NUT	4		
19	H151068	SHIELD	2		
20	H148023	ANGLE	1		(FIELD CONVERSION ONLY)
21	24M7178	WASHER	2		10.500 X 30 X 2.500 MM

AH142780 (COMPLETE GOODS) RAISED FEED PLATE KIT

4B9

THRESHING AND SEPARATION

CYLINDER DOOR
(CORN AND GRAIN)
HP5678 -UN-01JAN94



HP5678

4B10

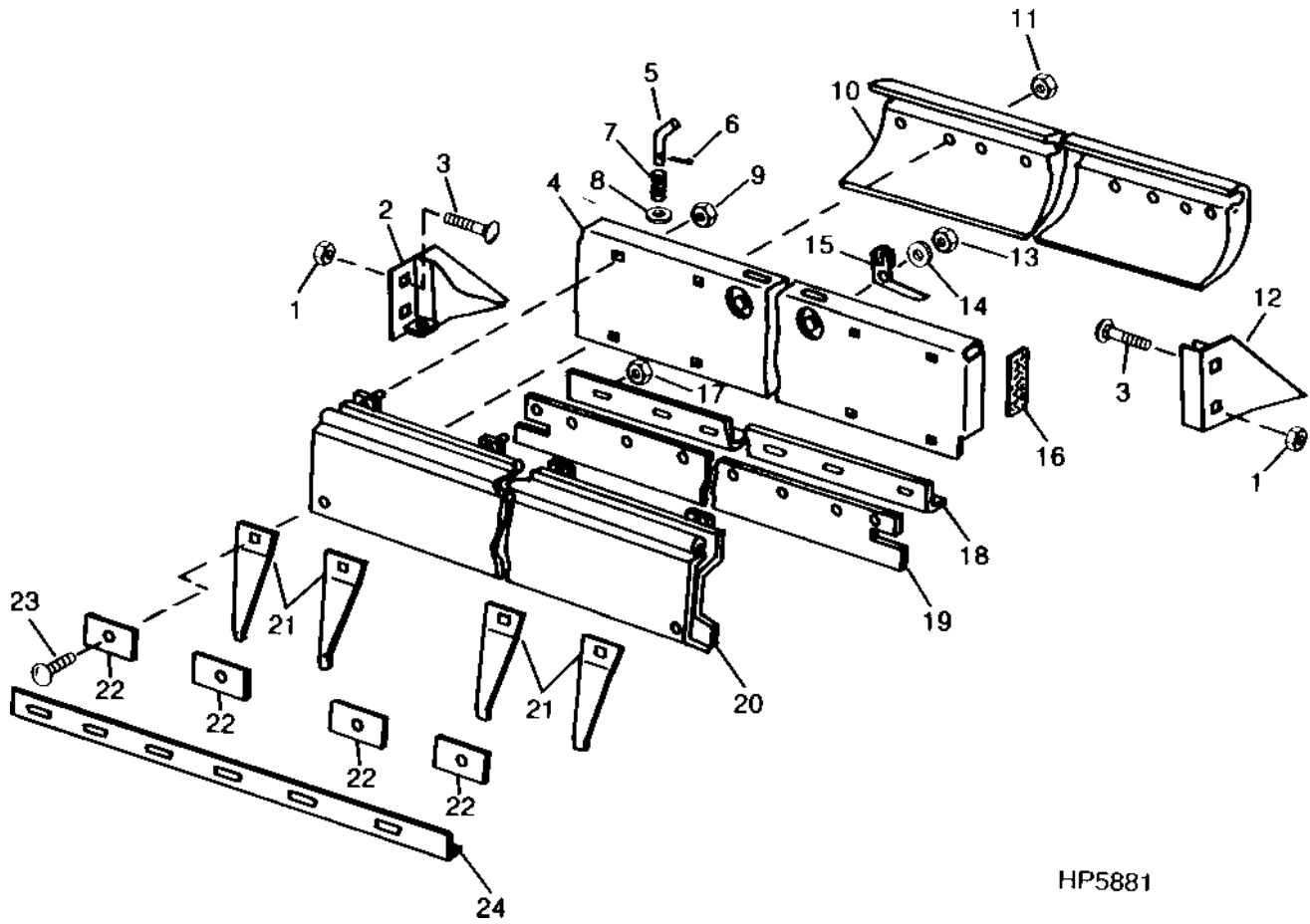
THRESHING AND SEPARATION

**CYLINDER DOOR - CONTINUED
(CORN AND GRAIN)**

KEY	PART NO.	PART NAME	QTY	SERIAL NO.	REMARKS
1	H150128	HINGE	1		
2	AH144104	DEFLECTOR	1		(USE WITH H150134)
	H150134	SEAL	1		
3	H150130	SUPPORT	1		
4	14M7298	FLANGE NUT	14	M8	
5	H150133	SEAL	1		
6	14M7396	LOCK NUT	2	M8	
7	24M7047	WASHER	2		13 X 24 X 2.500 MM (0.512" X 0.945" X 0.098")
8	03M7247	BOLT	2		M10 X 90
9	SUPPORT	1		(ORDER AH144609) (INCLUDES BOTH R.H. AND L.H. SUPPORTS)
10	14M7296	FLANGE NUT	4	M10	
11	E50096	BUSHING	2		10.312 X 25.400 X 27.940 MM (13/32" X 1" X 1.100")
12	19M7944	SCREW	2		M10 X 120
13	03M7184	BOLT	9		M8 X 20
14	AH130202	DOOR	1		
15	H148058	SPRING	4		
16	H148066	STRIP	1		
17	03M7183	BOLT	6		M8 X 16
18	SUPPORT	1		(ORDER AH144609) (INCLUDES BOTH R.H. AND L.H. SUPPORTS)
19	H150131	U-BOLT	2		
	14H785	NUT	1		7.925 MM (5/16")
	14H1042	NUT	1		7.925 MM (5/16")
20	H134654	HANDLE	2		
21	19M7866	SCREW	6		M8 X 20

4B11

CORN CYLINDER DOOR
(ARGENTINA ONLY)
HP5881 -UN-20JUL95



HP5881

4B12

THRESHING AND SEPARATION

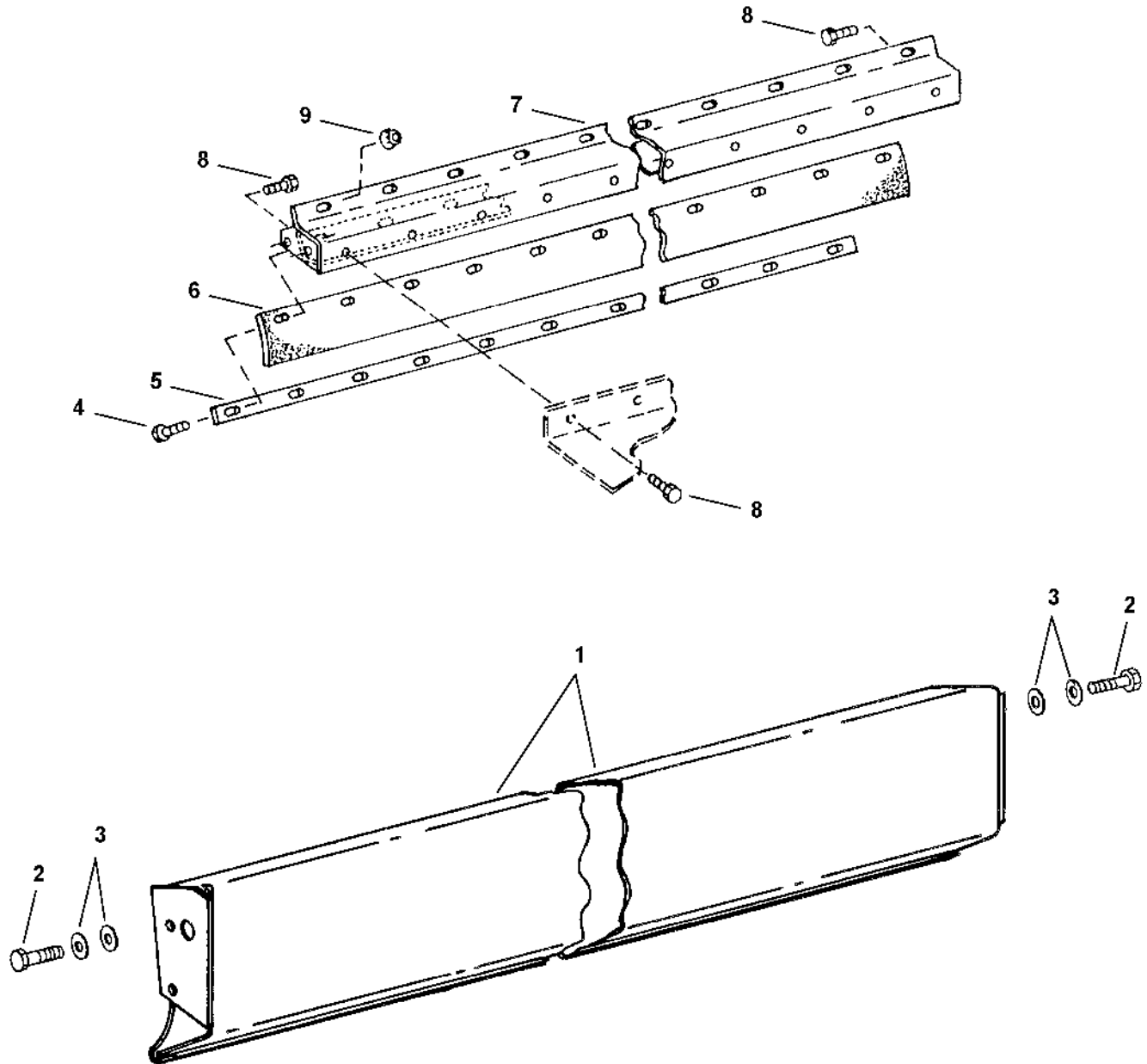
CORN CYLINDER DOOR - CONTINUED (ARGENTINA ONLY)

KEY	PART NO.	PART NAME	QTY	SERIAL NO.	REMARKS
1	14M7296	FLANGE NUT	2	M10	
2	AH144777	STOP	1	L.H.	
3	03M7247	BOLT	2	M10 X 90	
4	AH144599	DOOR	1		
5	H150746	PIN	2		
6	11M7059	COTTER PIN	2	3.200 X 20 MM (0.126" X 0.787")	
7	HZ5621H	SPRING	2		
8	24H1305	WASHER	2	10.312 X 20.625 X 1.651 MM (13/32" X 13/16" X 0.065")	
9	14M7298	FLANGE NUT	5	M8	
10	H150514	DEFLECTOR	1		
11	14M7165	LOCK NUT	4	M6	
12	AH144776	STOP	1	R.H.	
13	14M7396	LOCK NUT	2	M8	
14	24M7207	WASHER	2	8.400 X 24 X 2 MM (0.331" X 0.945" X 0.079")	
15	H134654	HANDLE	2		
16	H150134	SEAL	2		
17	14M7166	LOCK NUT	9	M8	
18	H151048	ANGLE	1		
19	H151476	SEAL	1		
20	AH144601	PANEL	1		
21	H148058	SPRING	4		
22	H150682	STRAP	4		
23	19M6755	CAP SCREW	4	M6 X 35	
24	H151527	SEAL	1		

4B13

THRESHING AND SEPARATION

CYLINDER SHEAR BAR
HP7455 -UN-06MAR98



HP7455

4B14

THRESHING AND SEPARATION

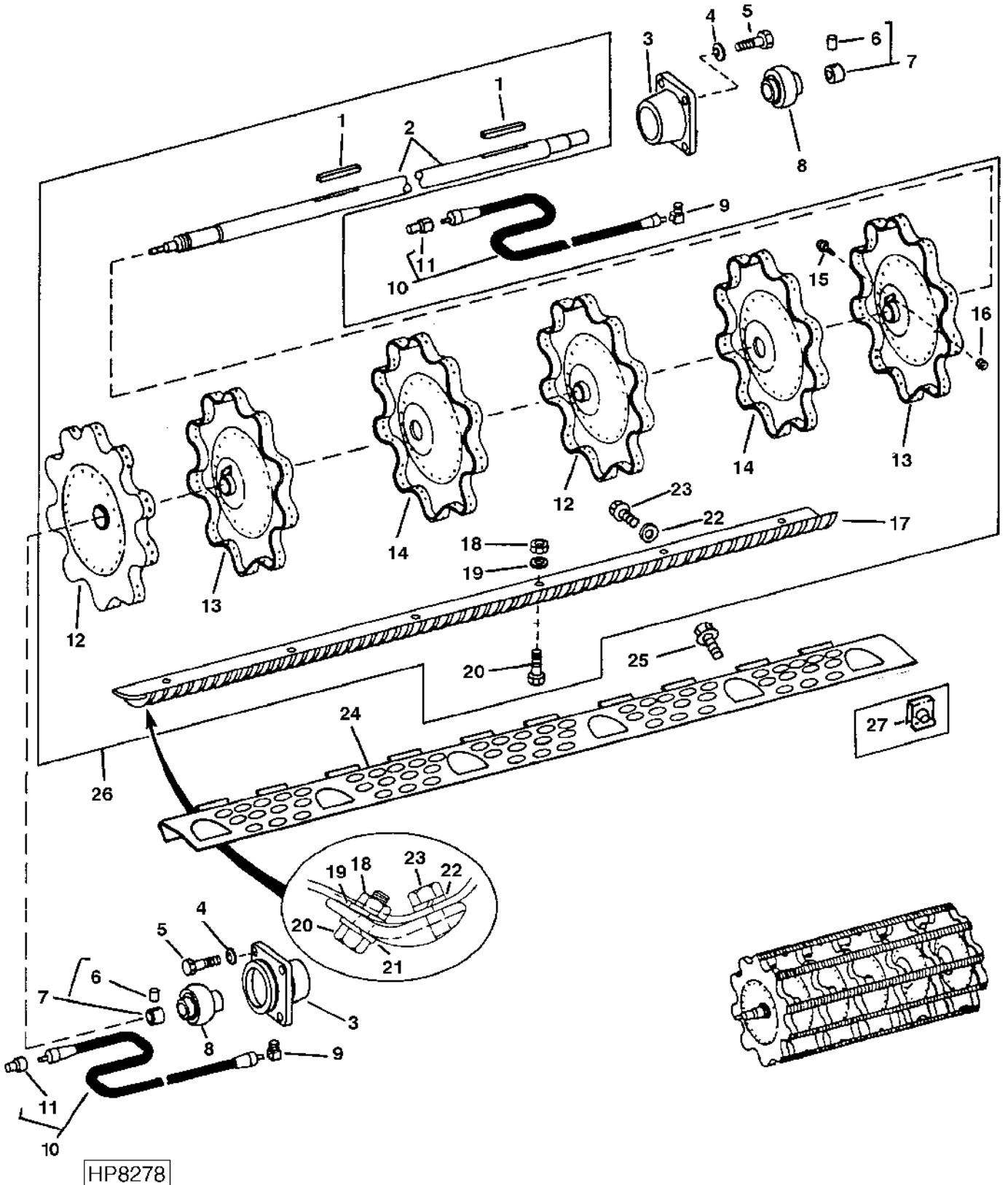
CYLINDER SHEAR BAR - CONTINUED

KEY	PART NO.	PART NAME	QTY	SERIAL NO.	REMARKS
1	AH141618	STRIPPER	1		
2	37M7080	SCREW	4		
3	24M7101	WASHER	4		11 X 34 X 3 MM
4	37M7096	SCREW	1		M8 X 35
5	H77514	STRAP	1		
6	H77512	SEAL	1		
7	AH126295	TIE BAR	1		
8	37M7080	SCREW	10		M10 X 30
9	14M7298	FLANGE NUT	6		M8

4B15

THRESHING AND SEPARATION

RASP BAR THRESHING CYLINDER
HP8278 -UN-24FEB99



4B16

THRESHING AND SEPARATION

RASP BAR THRESHING CYLINDER - CONTINUED

KEY	PART NO.	PART NAME	QTY	SERIAL NO.	REMARKS
1	SHAFT KEY	2		(CUT FROM H64376) IN AH64587 KEY STOCK KIT
2	H140043	SHAFT	1		DUAL RANGE
	H145970	SHAFT	1		SINGLE RANGE
3	H99149	HOUSING	2		
4	12H304	LOCK WASHER	8	3/8"	
5	19M7785	SCREW	8	M10 X 25	
6	SET SCREW	2		
7	JD10342	ECCENTRIC LOCKING COLLAR	2		
8	JD10343	BALL BEARING	2		
9	JD7845	ELBOW FITTING	2		
10	AH121009	HOSE	2	1/8" X 910 MM (35-3/4") X 1/8"	
11	JD7759	LUBRICATION FITTING	2		
12	AH126720	THRESHING CYLINDER HEAD	2		WITH PILOT HUB
13	AH126719	THRESHING CYLINDER HEAD	2		WITH KEYED HUB
14	H131878	THRESHING CYLINDER HEAD	2		WITH NO HUB
15	19H1820	CAP SCREW	2	1/2" X 3"	
	12H301	LOCK WASHER	2	1/2"	
16	14H1040	NUT	2	1/2"	
17	AH134145	RASP BAR	1		(A) (SUB AH161400) L.H. CHROME (PKG 5)
	AH134144	RASP BAR	1		(A) (SUB AH161405) R.H. CHROME (PKG 5)
	AH139768	RASP BAR	1		(A) (SUB AH161410) SMOOTH
	AH161400	RASP BAR	1		(B) L.H. CHROME
	AH161405	RASP BAR	1		(B) R.H. CHROME
	AH161407	RASP BAR	1		(B) (SUB FOR AH139433) L.H. BLACK
	AH161409	RASP BAR	1		(B) (SUB FOR AH139432) R.H. BLACK
	AH161410	RASP BAR	1		(B) SMOOTH
18	H99923	LOCK NUT	AR	-680100	
	H135891	LOCK NUT	AR	680101-	
19	24H1308	WASHER	AR	-680100	
20	19H3239	CAP SCREW	AR	-680100	3/8" X 1-1/4"
	19M7402	CAP SCREW	AR	680101-	M10 X 25
21	24M7096	WASHER	2		
22	12H304	LOCK WASHER	AR		3/8"
23	19H2554	CAP SCREW	AR		3/8" X 5/8"
	19M7783	SCREW	AR	680101-	M10 X 16
24	H150837	DEFLECTOR	10		PERFORATED
25	H145773	SELF-LOCKING SCREW	AR		M10 X 35
26	AH140131	RASP-BAR CYLINDER	1		(SUB AH162827) SINGLE RANGE W/CHROME BARS
	AH162821	RASP-BAR CYLINDER	1		(SUB FOR AH144544) DUAL RANGE W/BLACK BARS
	AH162827	RASP-BAR CYLINDER	1		SINGLE RANGE W/CHROME BARS
	AH162797	RASP-BAR CYLINDER	1		(SUB FOR AH144545) SINGLE RANGE W/BLACK BARS
27	H146457	NUT	AR		10 MM
..	AH140417	KIT	1		(INCLUDES (60) H145773, (60) H146457 AND (60) 24H1308)
..	AH161818	KIT	1		(SUB AH163920 OR AH163921) (SUB FOR AH146116) (INCLUDES (70) A51212, (70) 19M7402, (70) 19M7793 AND (70) 24M7028) METRIC
..	AH163920	KIT	2		(INCLUDES (35) H35891, (35) 19M7402 AND (35) 19M7783) METRIC
..	AH163921	KIT	1		(INCLUDES (14) H135891, (14) 19M7402 AND (14) 19M7783) METRIC

NOTE: (A) ENGLISH RASP BAR

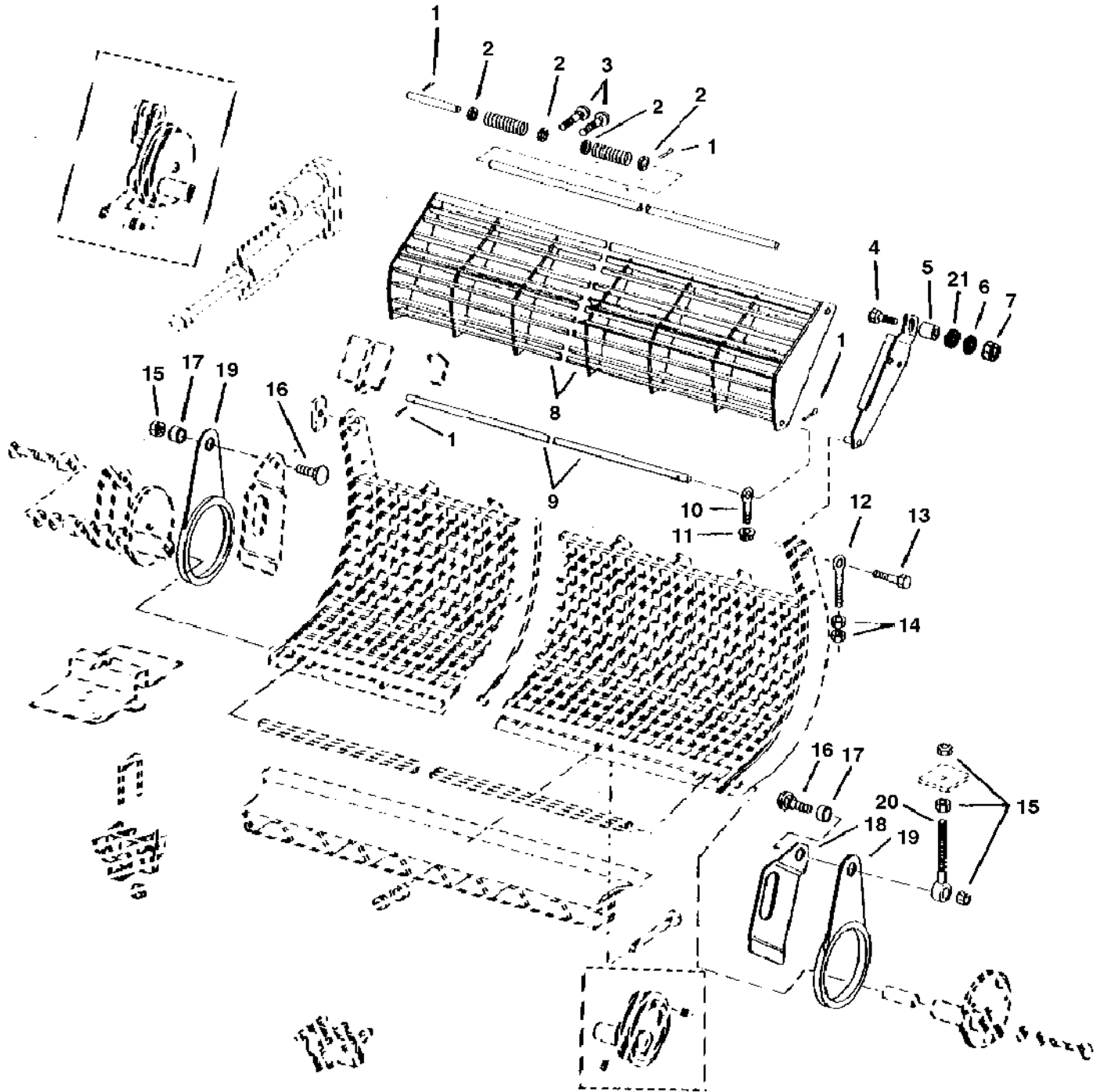
NOTE: (B) METRIC RASP BAR

BH79655 (COMPLETE GOODS) CYLINDER FILLER PLATES
 BH80017 (COMPLETE GOODS) SPIKETooth TO RASP BAR CONVERSION (SMALL GRAIN)
 BH80112 (COMPLETE GOODS) SPIKETooth TO RASP BAR CONVERSION (SMALL GRAIN)
 BH81162 (COMPLETE GOODS) PERFORATED FILLER PLATES - NARROW

4B17

THRESHING AND SEPARATION

RASP BAR CONCAVE AND GRATE
HP6881 -UN-18AUG97



HP6881

4B18

THRESHING AND SEPARATION

RASP BAR CONCAVE AND GRATE - CONTINUED

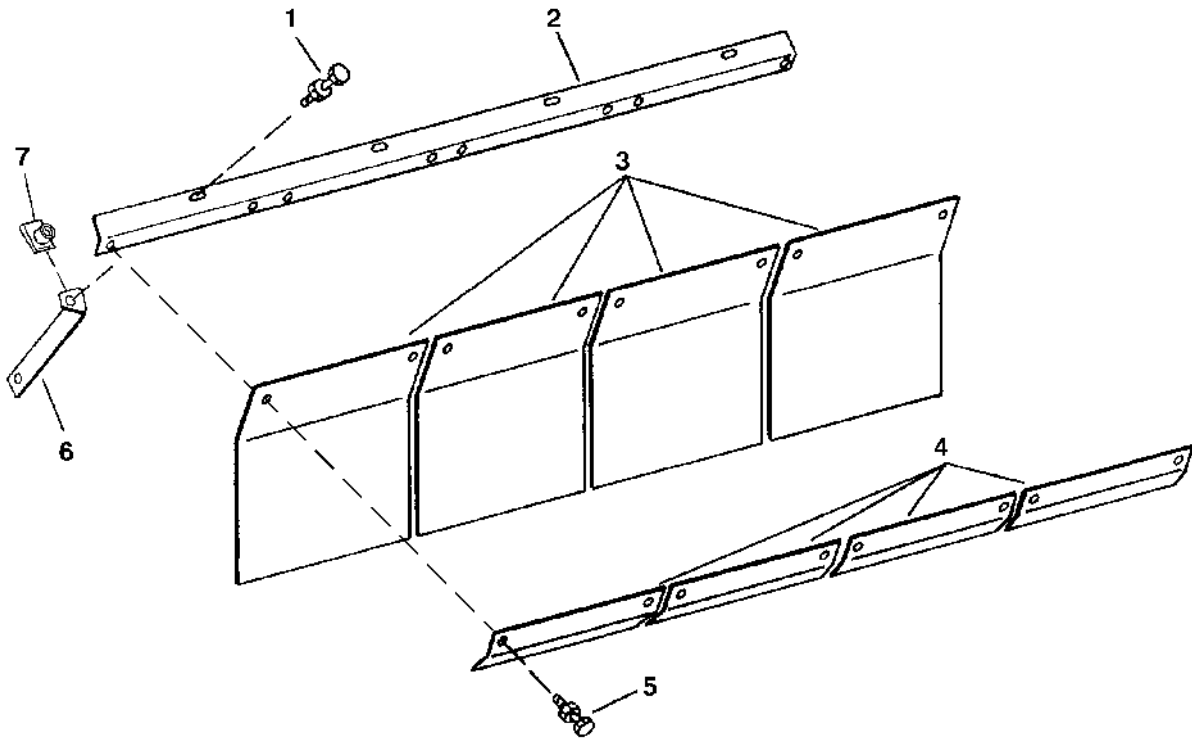
KEY	PART NO.	PART NAME	QTY	SERIAL NO.	REMARKS
1	11M7028	COTTER PIN	4	5 X 32 MM	
	11M7015	COTTER PIN	4	3.200 X 25 MM	
2	24M7051	WASHER	4	21 X 37 X 3 MM	
3	03M7218	BOLT	2	M10 X 80	
4	19M7813	SCREW	1		
5	H140804	BEAM	2		
6	12H301	LOCK WASHER	2	1/2"	
7	14M7299	FLANGE NUT	2	M12	
8	AH151121	GRATE	1	(SUB FOR AH135263)	
9	H140803	PIN	1		
10	H144742	EYEBOLT	2		
11	14M7400	LOCK NUT	2	M10	
12	H143610	EYEBOLT	2		
13	19M7597	CAP SCREW	2	M20 X 50	
14	14M7276	NUT	4	M16	
15	14M7300	FLANGE NUT	4	M20	
16	H137203	BOLT	2		
17	H137204	BUSHING	2		
18	H131989	COVER	1		
19	H151484	LINK	2		
20	H164222	EYEBOLT	1		
21	24H1226	WASHER	1		
..	TY9371	ADHESIVE	1	APPLY ON 03M7218 (6 ML HIGH STRENGTH)	

BH80112 (COMPLETE GOODS) SPIKETooth TO RASP BAR CONVERSION (SMALL GRAIN)

THIS PARTS LISTING IS CONTINUED

4B19

BEATER GRATE CURTAIN
HP6882 -UN-12SEP97



HP6882

4B20

THRESHING AND SEPARATION

BEATER GRATE CURTAIN - CONTINUED

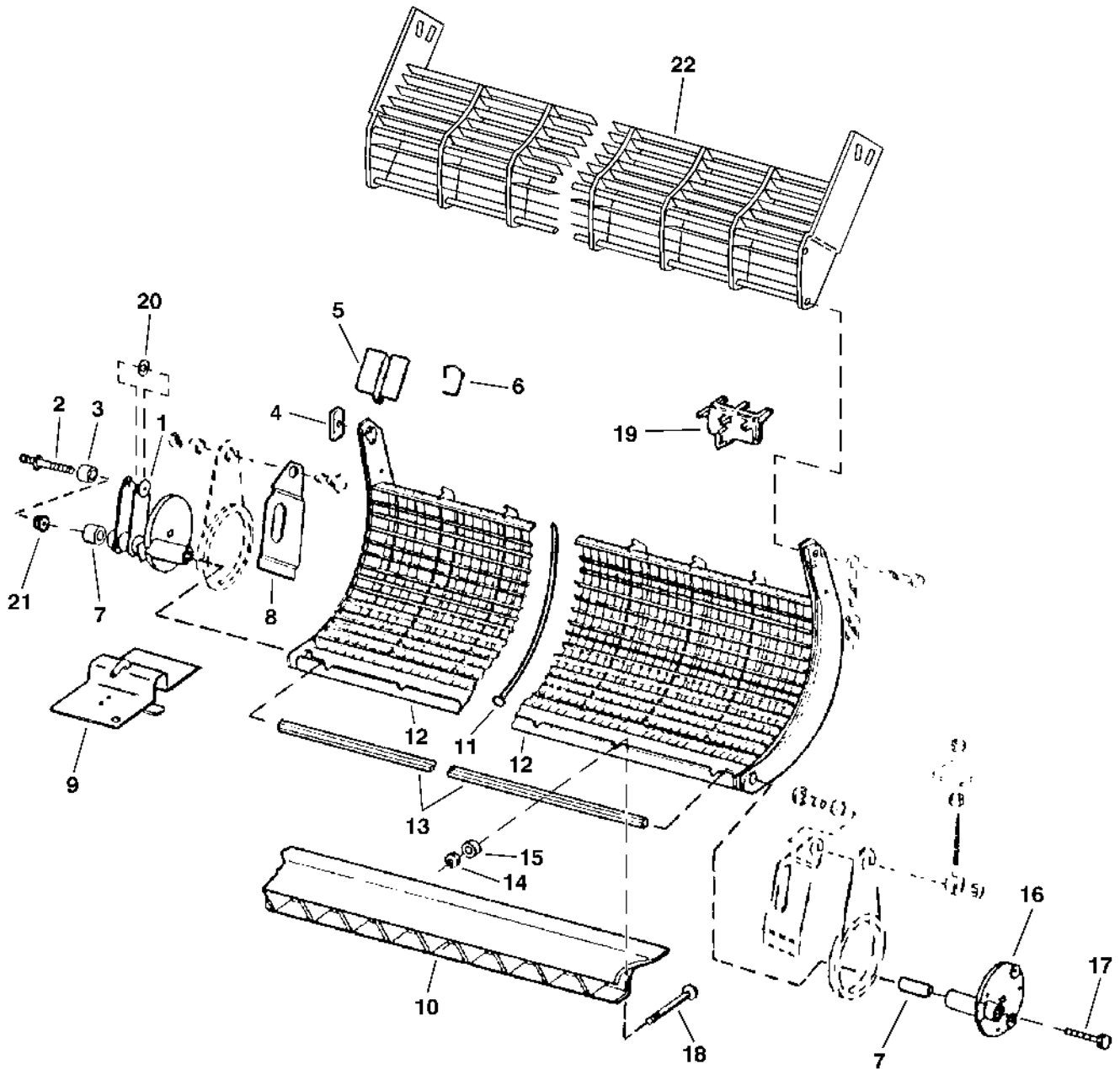
KEY	PART NO.	PART NAME	QTY	SERIAL NO.	REMARKS
1	19M7866	SCREW	8	M8 X 20	
	14M7298	FLANGE NUT	8	M8	
2	H148301	ANGLE	1		
3	H148305	LIMIT CURTAIN	4		
4	H148302	ANGLE	2		
5	19M7866	SCREW	8	M8 X 20	
6	H148304	SUPPORT	4		
7	H156360	NUT	4	M8	
..	H151318	SIGN	1	BEATER GRATE CURTAIN	

BH80228 (COMPLETE GOODS) NARROW CURTAIN

4B21

THRESHING AND SEPARATION

RASP BAR CONCAVE AND GRATE
HP6883 -UN-05SEP97



HP6883

4B22

THRESHING AND SEPARATION

RASP BAR CONCAVE AND GRATE - CONTINUED

KEY	PART NO.	PART NAME	QTY	SERIAL NO.	REMARKS
1	AH133156	CAM	1		(ALSO ORDER 28H1601 AND 28H1597)
2	H132541	SCREW	1		
3	28H1597	WASHER	1		0.546" X 0.840" X 3/8" 0.546" X 0.840" X 2-1/8"
4	H146318	ADJUSTING STRAP	1		
5	H134418	COVER	1		FOR REAR OF CONCAVE
6	H134420	RETAINER	1		
7	28H1601	BUSHING	1		0.546" X 0.840" X 4-1/8"
8	H131988	COVER	1		RH (SPIKE TO RASP CONVERSION)
9	AH130465	COVER	AR		FOR BOTTOM FRONT OF CONCAVE
10	AH151119	ANGLE	1		
11	H135036	PIN	AR		(USE WITH AH136605) FOR SMALL GRAIN, (SHORT)
	H135037	PIN	AR		(USE WITH AH136605) FOR CORN, (LONG)
	H157967	NAIL	AR		(USE WITH AH150497)
12	AH136605	CONCAVE	1		(SUB FOR AH155494) 14-BAR
	AH150497	CONCAVE	1		13-BAR
13	H145639	SHAFT	1		
14	14M7401	LOCK NUT	6		M12
15	E47782	SPACER	6		
16	AH133157	CAM	2		
17	H147468	ROD	1		
18	H139098	BOLT	6		
19	AH153688	INSERT	1		SHORT WIRE
	AH144868	INSERT	1		
20	24H1654	WASHER	1		REQUIRED WITH AH133156
21	A31867	LOCK NUT	1		
22	AH151121	GRATE	1		

BH78486 (COMPLETE GOODS) CONCAVE COVERS

BH80112 (COMPLETE GOODS) SPIKETooth TO RASP BAR CONVERSION (SMALL GRAIN)

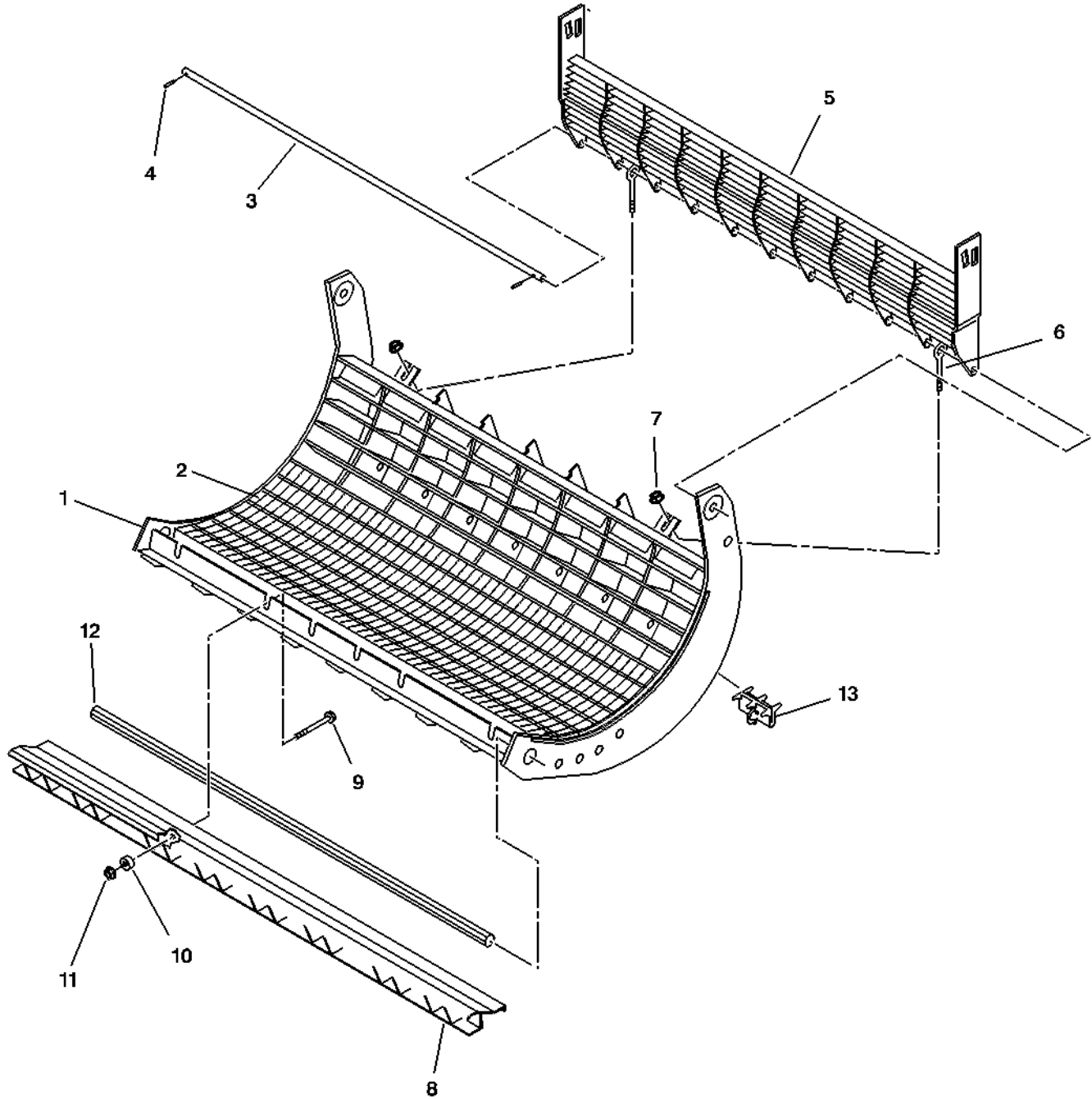
BH78496 (COMPLETE GOODS) REAR CONCAVE FILLER STRIPS

BH81380 (COMPLETE GOODS) CONCAVE INSERTS, BOX OF 16

4B23

CONCAVE ASSEMBLY AND BEATER GRATE

HP7388 -UN-02FEB98



HP7388

4B24

THRESHING AND SEPARATION

CONCAVE ASSEMBLY AND BEATER GRATE - CONTINUED

KEY	PART NO.	PART NAME	QTY	SERIAL NO.	REMARKS
1	AH150497	CONCAVE	1		13 BAR
	AH136605	CONCAVE	1		(SUB FOR AH155494) 14-BAR
2	H157967	NAIL	50		(USE WITH AH150497)
	H135036	PIN	AR		(USE WITH AH136605)
	H135037	PIN	AR		(USE WITH AH136605)
3	H140803	PIN	1		
4	11M7015	COTTER PIN	2		
5	AH151121	GRATE	1		NARROW BODY
6	H144742	EYEBOLT	2		M10 X 62
7	H135891	LOCK NUT	2	-675316	M10 M10
	14M7400	LOCK NUT	2	675317-	M10
8	AH151119	ANGLE	1		NARROW BODY
9	H139098	BOLT	6		
10	E47782	SPACER	6		
11	14M7401	LOCK NUT	6		M12, (SUB FOR H137329)
12	H145639	SHAFT	1		NARROW
13	AH153688	INSERT	16		CONCAVE GRID (CARTON OF 20)

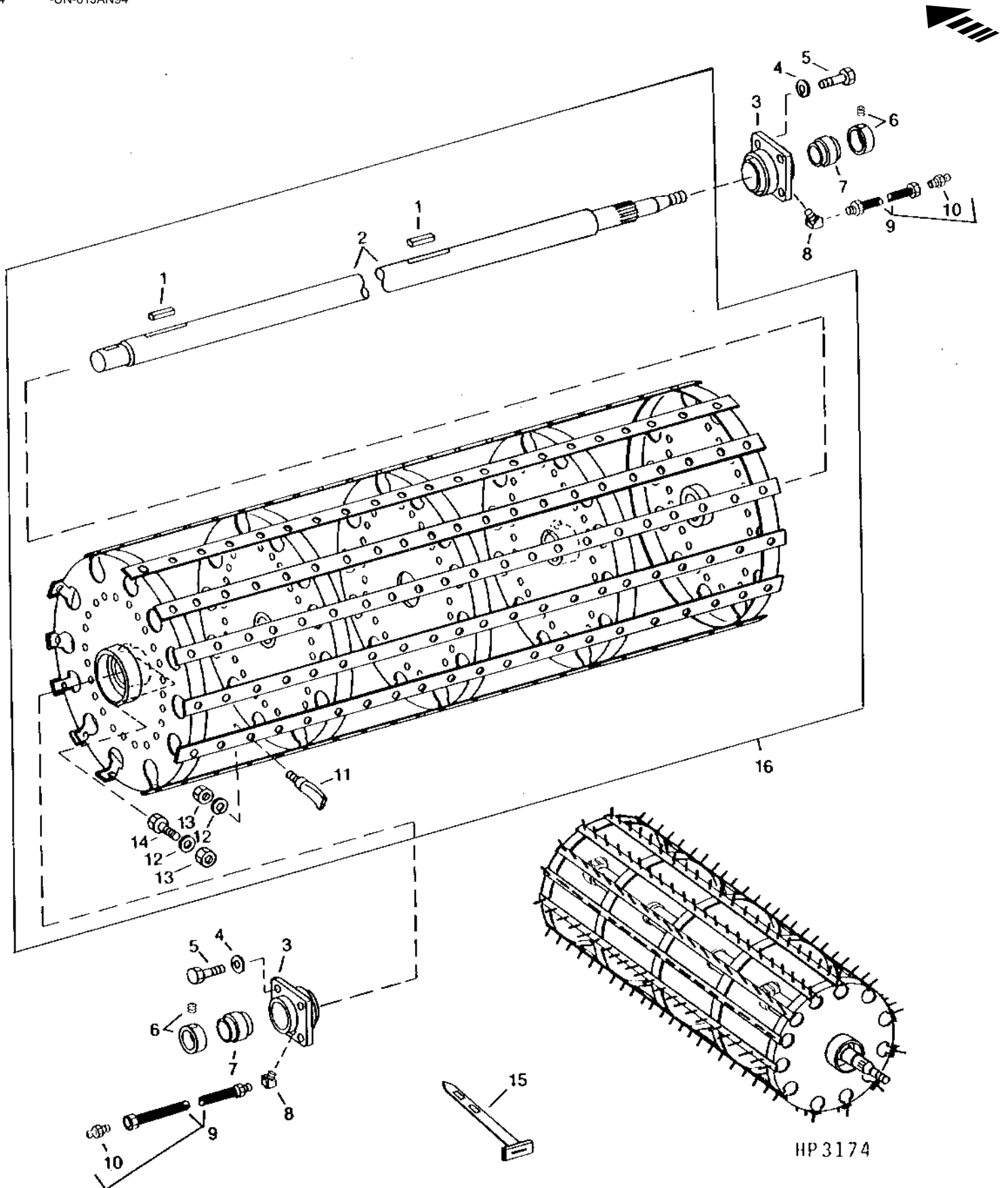
BH81335 (COMPLETE GOODS) CONCAVE ASSEMBLY - LESS INSERTS

4C1

THRESHING AND SEPARATION

SPIKE TOOTH THRESHING CYLINDER (OPTIONAL)

HP3174 -UN-01JAN94



HP 3174

4C2

THRESHING AND SEPARATION

SPIKE TOOTH THRESHING CYLINDER (OPTIONAL) - CONTINUED

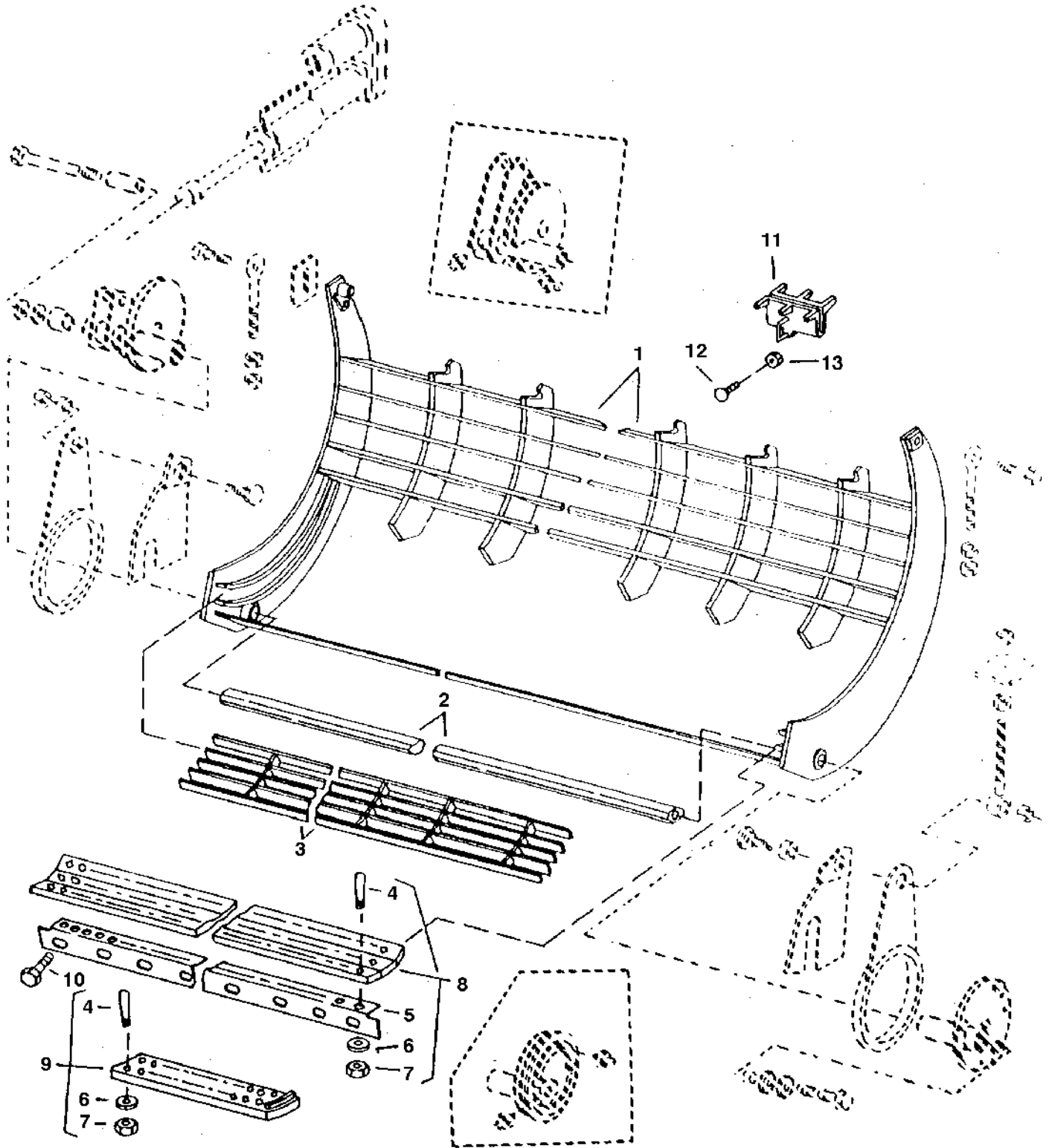
KEY	PART NO.	PART NAME	QTY	SERIAL NO.	REMARKS
1	SHAFT KEY	2		(IN AH64587 KEY STOCK KIT) (CUT FROM H64376)
2	H140043	SHAFT	1		FOR DUAL RANGE
	H145970	SHAFT	1		SINGLE RANGE
3	H99149	HOUSING	2		
4	12H304	LOCK WASHER	8	3/8"	
5	19H1732	CAP SCREW	8	3/8" X 1-1/4"	
6	JD10342	ECCENTRIC LOCKING COLLAR	2		
7	JD10343	BALL BEARING	2		
8	JD7845	ELBOW FITTING	2		
9	AH121009	HOSE	2	1/8" X 910 MM (35-3/4") X 1/8"	
10	JD7759	LUBRICATION FITTING	2		
11	H132057	TOOTH	312		
12	12H301	LOCK WASHER	2	1/2", (INTO HEADER WITH KEYED HUB)	
	12H301	LOCK WASHER	312	1/2"	
13	14H809	NUT	2	1/2", (INTO HEADER WITH KEYED HUB)	
	14H1040	NUT	314	1/2"	
14	19H1820	CAP SCREW	2	1/2" X 3"	
15	P5403H	TOOL	1		
16	AH134662	SPIKE-TOOTH CYLINDER	1		DUAL RANGE AND LOW SPEED DUAL RANGE.
	AH135826	SPIKE-TOOTH CYLINDER	1		SINGLE RANGE SPEED AND SINGLE EXTENDED RANGE
..	AH126871	BAR	6		(INCLUDES (26) H132057, (19) 12H301 AND (19) 14H809)
..	AH127963	BAR	6		(INCLUDES (26) H132057, (18) 12H301 AND (18) 14H809)

BH71877 (COMPLETE GOODS) RASP BAR TO SPIKE TOOTH CONVERSION
 BH71936 (COMPLETE GOODS) RASP BAR TO SPIKE TOOTH CONVERSION

4C3

THRESHING AND SEPARATION

SPIKE-TOOTH CONCAVE
HP6884 -UN-12SEP97



HP6884

4C4

THRESHING AND SEPARATION

SPIKE-TOOTH CONCAVE - CONTINUED

KEY	PART NO.	PART NAME	QTY	SERIAL NO.	REMARKS
1	AH135647	CONCAVE	1		
2	H145639	SHAFT	1		
3	AH131331	GRATE	1		
4	H132057	TOOTH	AR		
5	H145257	ANGLE	1		
6	12H301	LOCK WASHER	AR		1/2", (SUB H145639)
7	14H1040	NUT	AR		1/2"
8	AH139246	BAR	AR		
9	AH126880	CONCAVE	1		
10	19M7786	SCREW	7		M10 X 30
11	AH153688	INSERT	4		
12	03M7222	BOLT	2		M6 X 20
13	14M7303	FLANGE NUT	2		M6

BH71877 (COMPLETE GOODS) RASP BAR TO SPIKE TOOTH CONVERSION

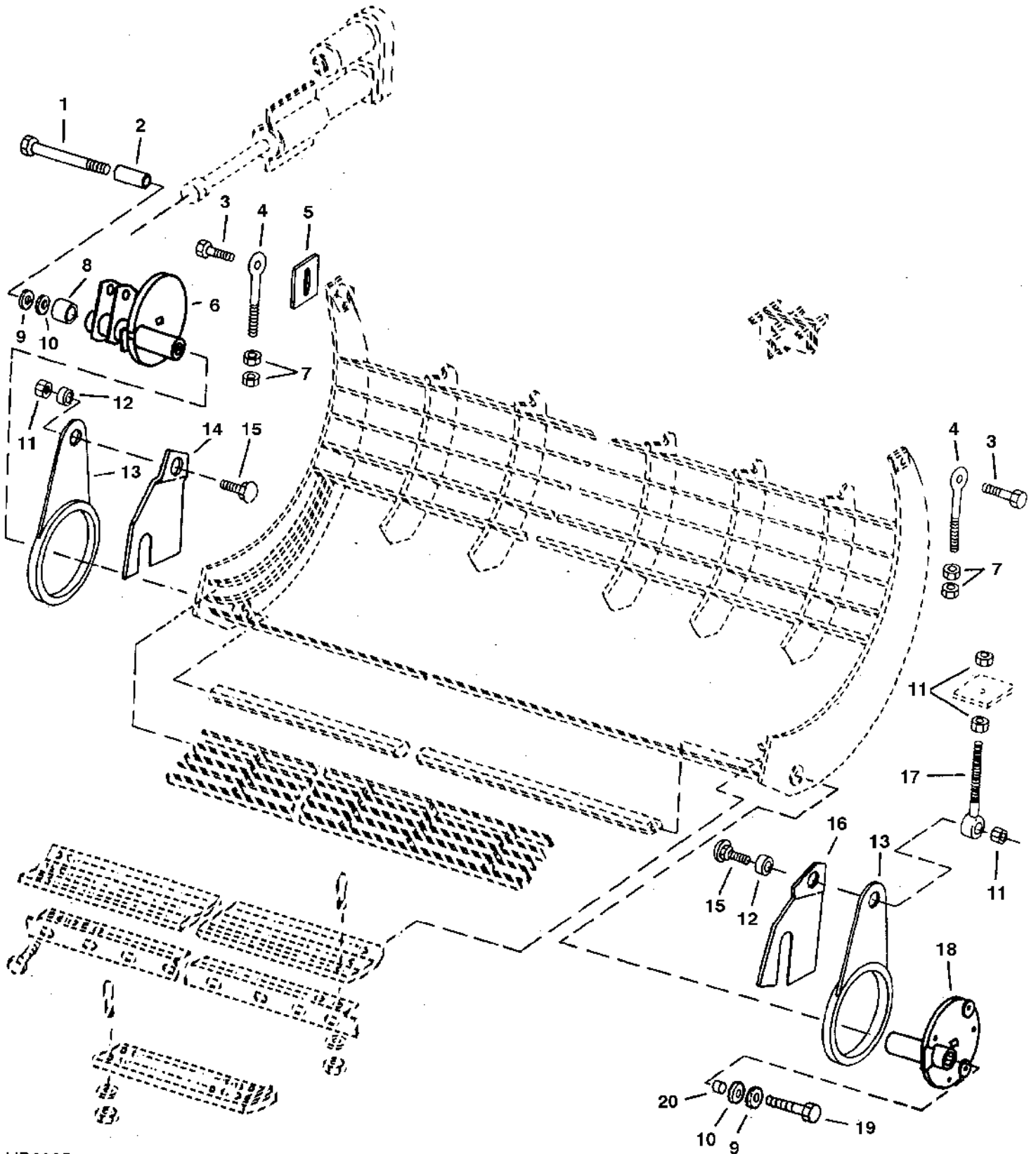
BH71936 (COMPLETE GOODS) RASP BAR TO SPIKE TOOTH CONVERSION

BH81380 (COMPLETE GOODS) CONCAVE INSERTS, BOX OF 16

4C5

THRESHING AND SEPARATION

SPIKE TOOTH CONCAVE
HP6885 -UN-18AUG97



HP6885

4C6

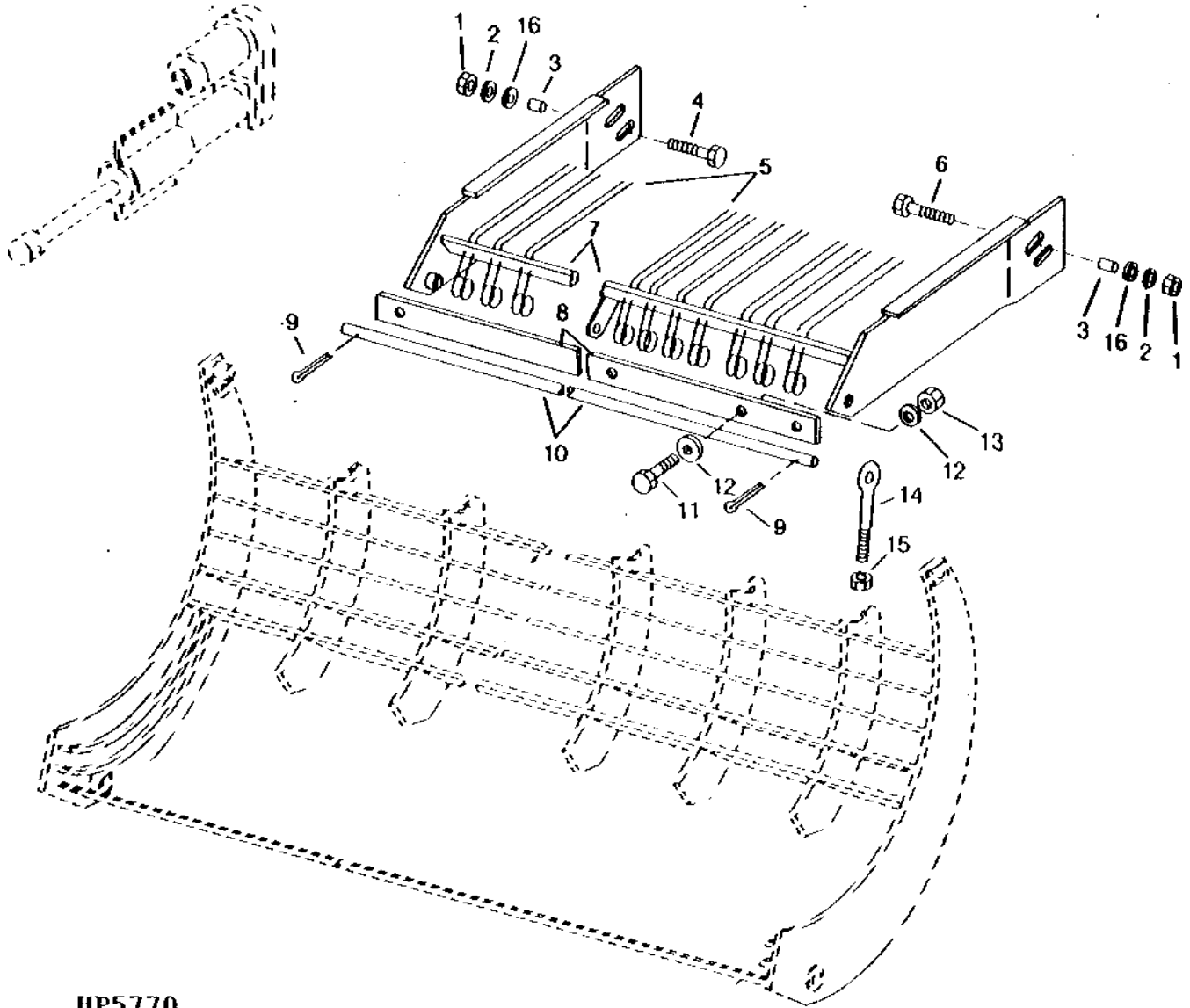
THRESHING AND SEPARATION

SPIKE TOOTH CONCAVE - CONTINUED

KEY	PART NO.	PART NAME	QTY	SERIAL NO.	REMARKS
1	H132541	SCREW	1		
2	28H1597	WASHER	1		0.546" X 0.840" X 3/8"
3	19M7597	CAP SCREW	2		M20 X 50
4	H143610	EYEBOLT	2		
5	H146318	ADJUSTING STRAP	1		
6	AH135240	CAM	1		
7	14M7296	FLANGE NUT	4		M10
8	H134816	SPACER	1		
9	24H1351	WASHER	2		9/16" X 1-1/2" X 0.164"
10	H133633	SEAL	2		
11	14M7300	FLANGE NUT	4		M20
12	H137204	BUSHING	4		
13	AH127829	LINK	2		
14	H131986	COVER	1		LEFT-HAND
15	H137203	BOLT	2		
16	H131987	COVER	1		
17	H164222	EYEBOLT	1		
18	AH133157	CAM	1		
19	19M7819	SCREW	1		M12 X 90
20	28H2642	SPACER	1		
..	P5403H	TOOL	1		

4C7

SPIKE-TOOTH FINGER GRATE
HP5770 -UN-01JAN94



HP5770

4C8

THRESHING AND SEPARATION

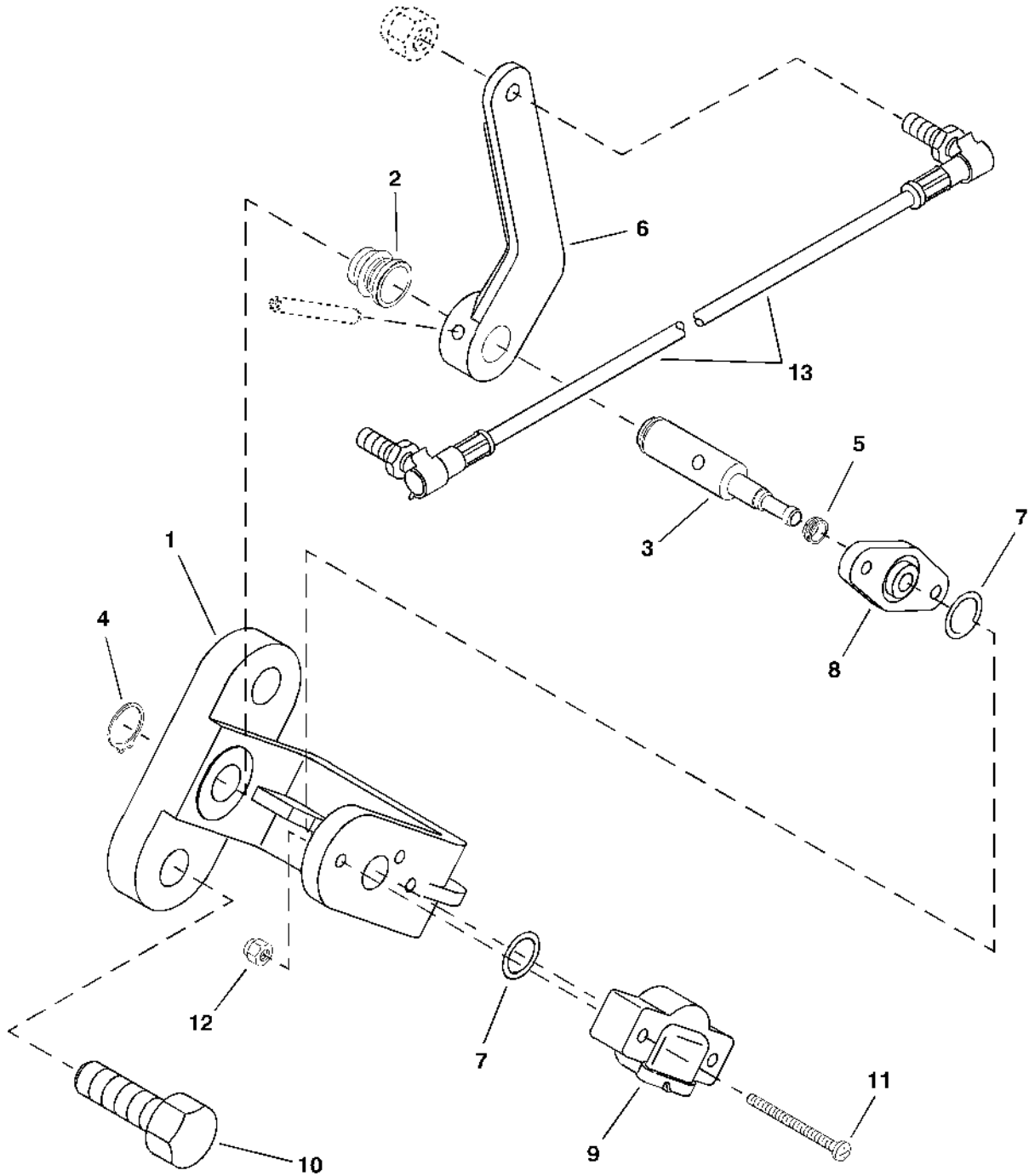
SPIKE-TOOTH FINGER GRATE - CONTINUED

KEY	PART NO.	PART NAME	QTY	SERIAL NO.	REMARKS
1	14M7299	FLANGE NUT	2	M12	
2	12H301	LOCK WASHER	2	1/2"	
3	M44269	BUSHING	2		
4	19M7813	SCREW	1	M12 X 45	
5	H134758	FINGER	AR		
6	19M7813	SCREW	1	M12 X 45	
7	AH130906	SUPPORT	1		
8	H135158	COVER	1		
9	11M7015	COTTER PIN	2	3.200 X 25 MM	
10	H134757	PIN	1		
11	03M7193	BOLT	4	M10 X 35	
12	24H1311	WASHER	8	13/32" X 1-1/4" X 0.220"	
13	14M7296	FLANGE NUT	4	M10	
14	H144742	EYEBOLT	2		
15	14M7400	LOCK NUT	2	M10	
16	24H1226	WASHER	2	12.700 X 31.750 X 2.108 MM	

BH71936 (COMPLETE GOODS) RASPBAR TO SPIKETooth CONVERSION

4C9

SPIKE TOOTH INDICATOR
HP6744 -UN-11JUL97



HP6744

4C10

THRESHING AND SEPARATION

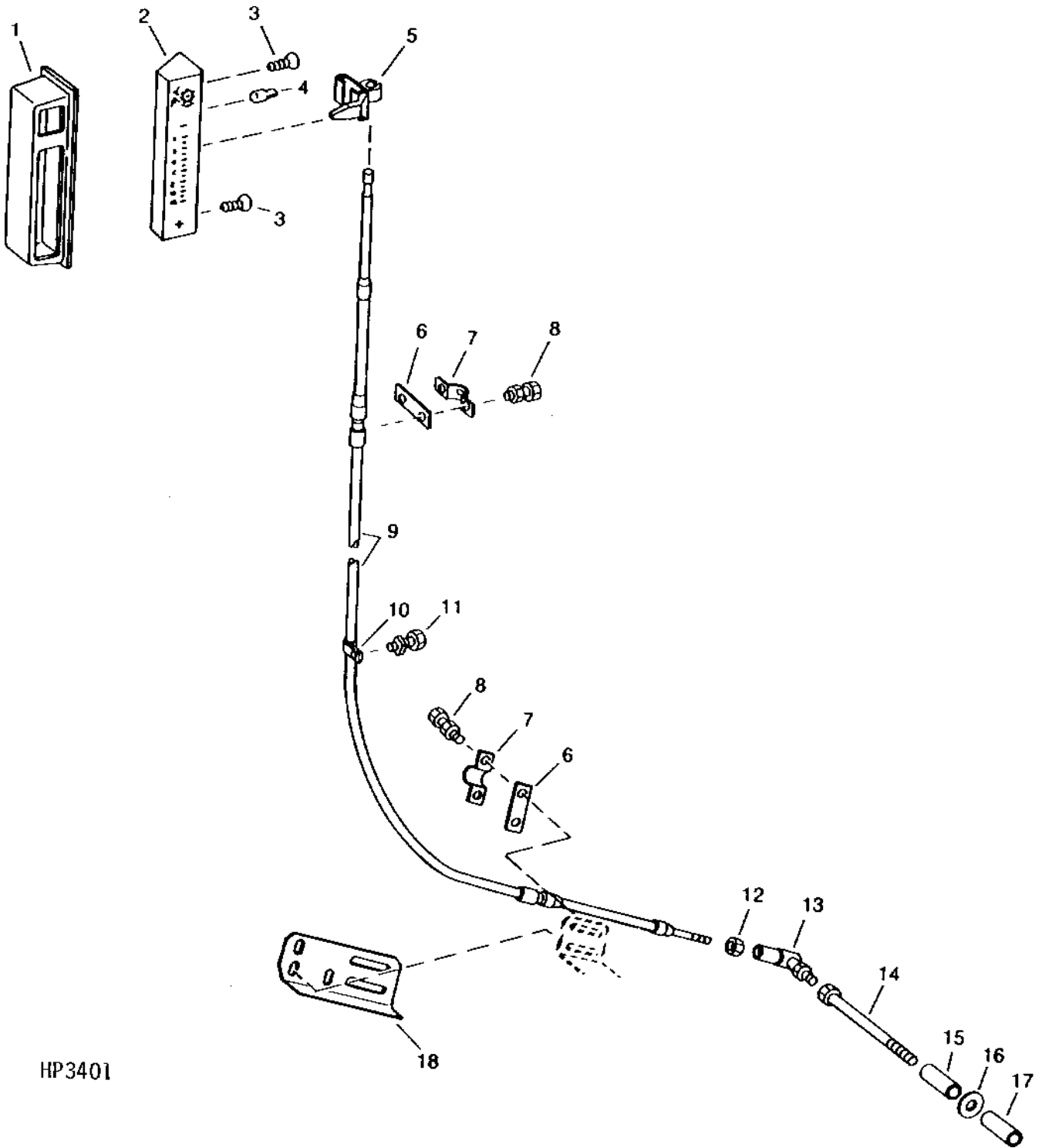
SPIKE TOOTH INDICATOR - CONTINUED

KEY	PART NO.	PART NAME	QTY	SERIAL NO.	REMARKS
1	H156936	BRACKET	1		
2	R41076	GROMMET	1		
3	R111692	SHAFT	1		
4	R26871	SNAP RING	1		
5	R112679	SEAL	1		
6	R40915	LEVER	1		
7	R34404	O-RING	2		
8	R86457	SUPPORT	1		
9	RE56165	SENSOR	1		
10	37M7084	SCREW	2		M8 X 25
11	21M7261	SCREW	2		M5 X 45
12	14M7297	NUT	2		
13	AH150499	BALL JOINT	1		

4C11

CONCAVE INDICATOR, CABLE AND BRACKETS

HP3401 -UN-01JAN94



HP3401

4C12

THRESHING AND SEPARATION

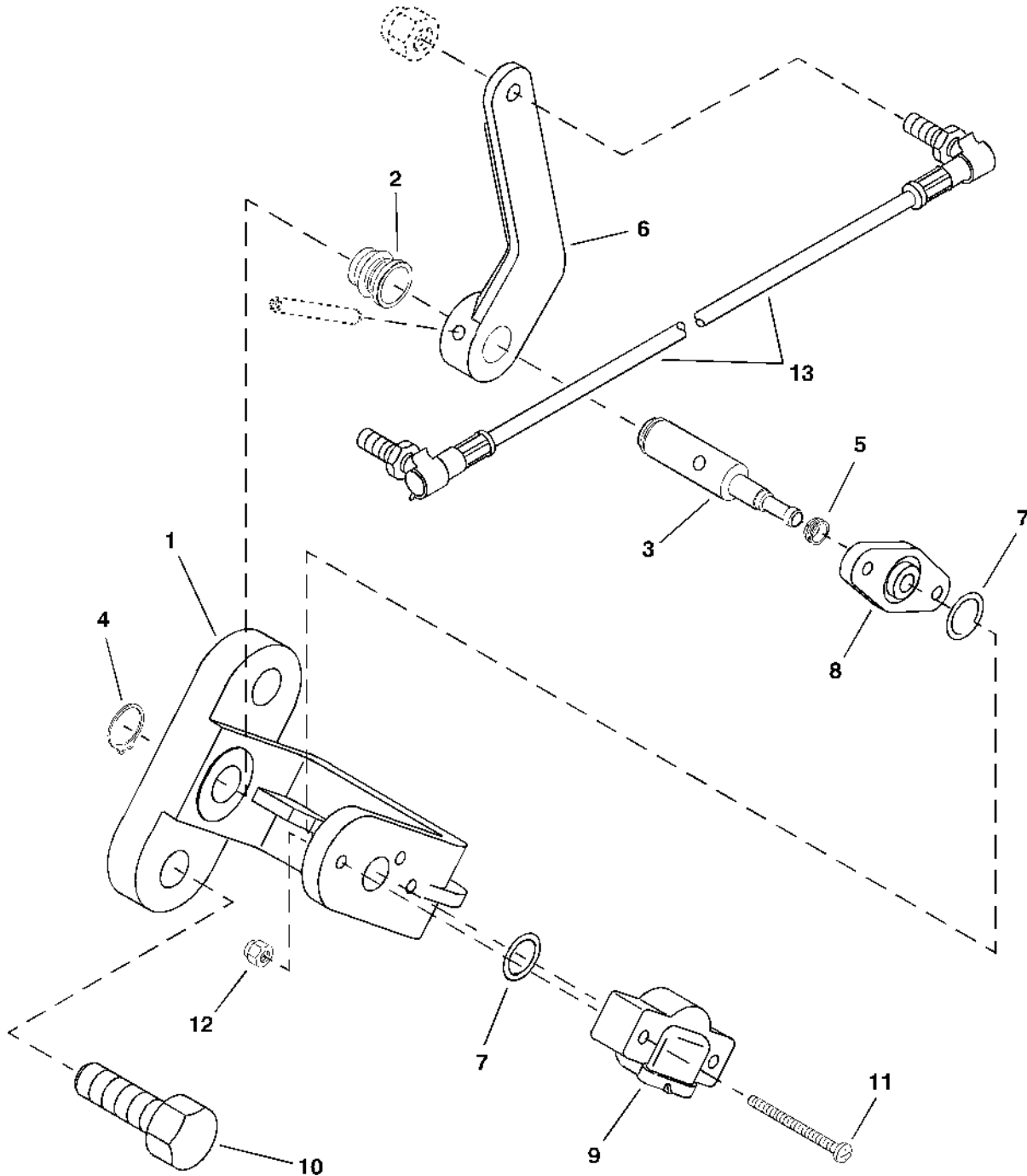
CONCAVE INDICATOR, CABLE AND BRACKETS - CONTINUED

KEY	PART NO.	PART NAME	QTY	SERIAL NO.	REMARKS
1	H128999	HOUSING	1		
2	AH141030	LENS	1		
3	H118166	SCREW	2		
4	AH114882	BULB	1		
5	H129179	GAUGE	1		
6	H120801	STRAP	2	-675105	
7	H120800	CLAMP	2	-675105	
8	03M7166	BOLT	4		M5 X 16
	14M7297	NUT	4	-675105	M5
9	AH124573	CABLE	1	-675105	
10	M47566	CLIP	1		
11	19M7862	SCREW	1		M6 X 20
	14M7162	NUT	1		M6
12	14M7297	NUT	1		M5
13	AH129272	BALL JOINT	1		
14	H132541	SCREW	1		
15	28H2618	BUSHING	1		0.546" X 0.840" X 2-1/8"
	28H1597	WASHER	1		0.546" X 0.840" X 3/8" (SPIKE TOOTH ONLY)
16	24H1347	WASHER	1		17/32" X 2" X 0.194"
17	28H950	BUSHING	1		0.546" X 0.840" X 1-1/2"
	28H1601	BUSHING	1		0.546" X 0.840" X 4-1/8" (SPIKE TOOTH ONLY)
18	H132540	BRACKET	1		(SPIKE TOOTH ONLY)

4C13

THRESHING AND SEPARATION

CORN AND SMALL GRAIN CONCAVE INDICATOR
HP6744 -UN-11JUL97



HP6744

4C14

THRESHING AND SEPARATION

CORN AND SMALL GRAIN CONCAVE INDICATOR - CONTINUED

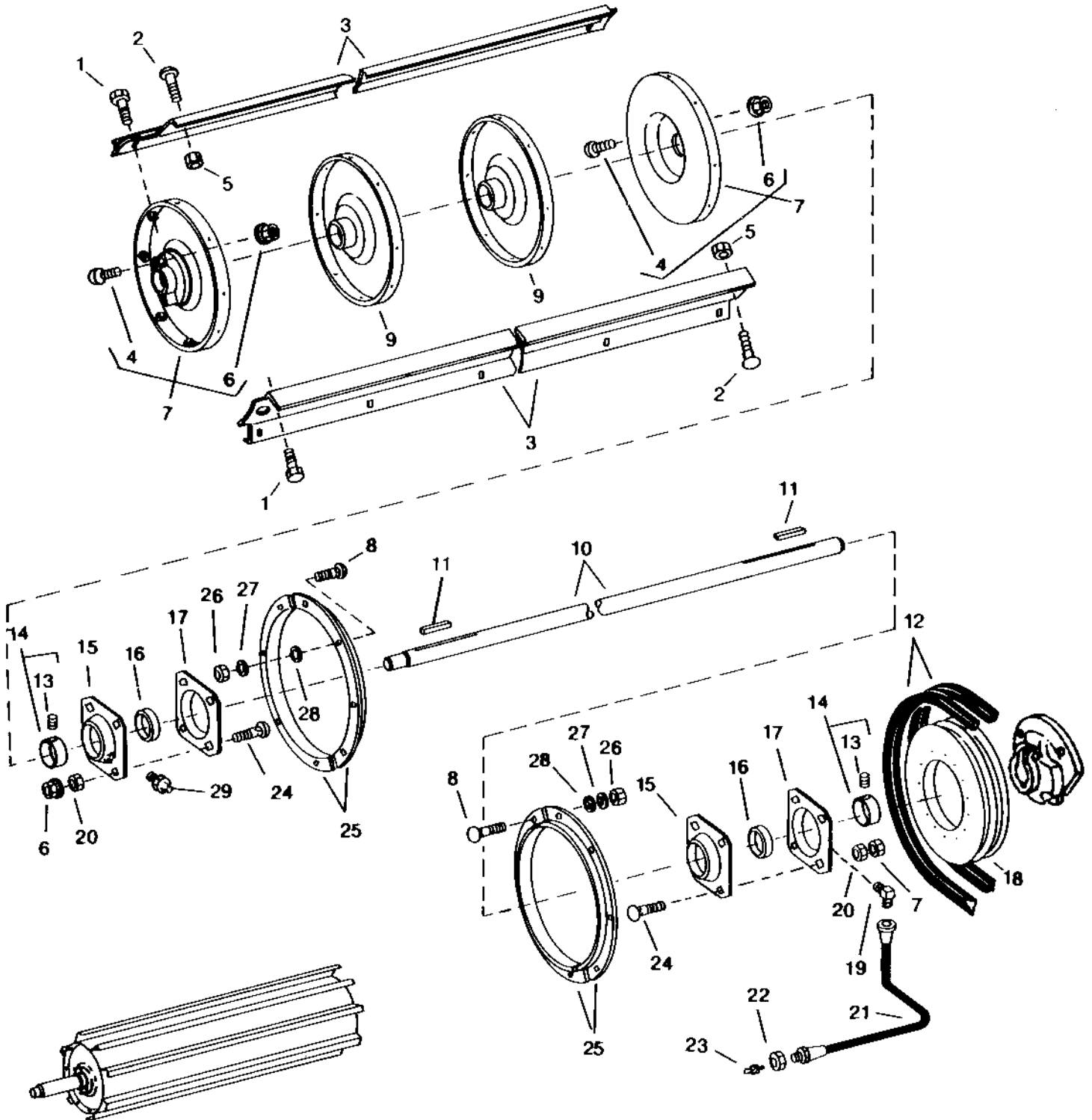
KEY	PART NO.	PART NAME	QTY	SERIAL NO.	REMARKS
1	H156936	BRACKET	1		
2	R41076	GROMMET	1		
3	R111692	SHAFT	1		
4	R26871	SNAP RING	1		
5	R112679	SEAL	1		
6	R40915	LEVER	1		
7	R34404	O-RING	2		
8	R86457	SUPPORT	1		
9	RE56165	SENSOR	1		
10	37M7084	SCREW	2		M8 X 25
11	21M7261	SCREW	2		M5 X 45
12	14M7297	NUT	2		M5
13	AH150498	BALL JOINT	1		

4C15

THRESHING AND SEPARATION

BEATER, SHAFT AND DRIVE BELT

HP6100 -UN-27JUN95



HP6100

4C16

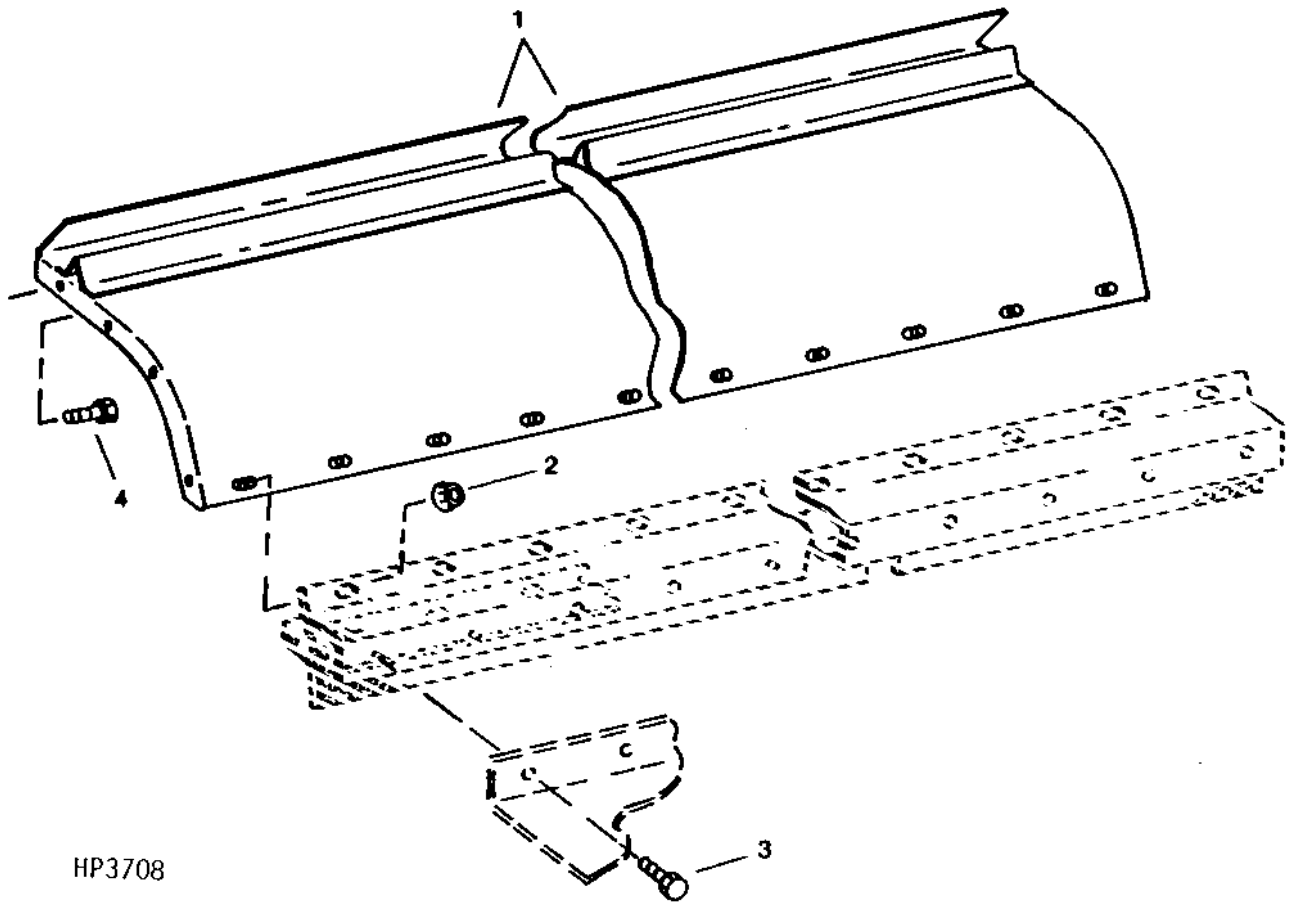
THRESHING AND SEPARATION

BEATER, SHAFT AND DRIVE BELT - CONTINUED

KEY	PART NO.	PART NAME	QTY	SERIAL NO.	REMARKS
1	19M7784	SCREW	24	M10 X 20	
2	03M7190	BOLT	48	M10 X 20	
3	H147789	BLADE	8		
4	03M7201	BOLT	2	M12 X 45	
5	14M7296	FLANGE NUT	48	M10	
6	14M7299	FLANGE NUT	2	M12	
7	AH128360	BEATER HEAD	2		
8	03M7185	BOLT	24	M8 X 25	
9	AH128361	BEATER HEAD	1		
10	H126941	SHAFT	1		
11	49M4121	SHAFT KEY	2		
12	AH139436	BELT SET	1		FOR 100 PERCENT BEATER DRIVE
	AH163931	BELT	1		(SUB FOR AH131960) FOR 75° BEATER DRIVE
13	22H979	SET SCREW	1		3/8" X 3/8"
14	JD9201	ECCENTRIC LOCKING COLLAR	2		
15	H113625	PRESSED FLANGED HOUSING	2		
16	JD9434	BEARING	2		
17	H113626	PRESSED FLANGED HOUSING	2		
18	H125558	SHEAVE	1		FOR 100 PERCENT BEATER DRIVE
	H135850	SHEAVE	1		FOR 75 PERCENT BEATER DRIVE
19	JD7845	ELBOW FITTING	2		L H
20	H143731	NUT	8		
21	AH121009	HOSE	2		1/8" X 910 MM (35-3/4") X 1/8", L H
22	E12379	NUT	2		L H
23	JD7759	LUBRICATION FITTING	2		L H
24	03M7197	BOLT	8		M12 X 25
25	H130572	SEAL	4		
26	14M7298	FLANGE NUT	24		M8
27	12H303	LOCK WASHER	24		5/16"
28	24M7055	WASHER	16		8.400 X 16 X 1.600 MM
29	JD7788	LUBRICATION FITTING	1		R H

4C17

BEATER COVER
HP3708 -UN-01JAN94



HP3708

4C18

THRESHING AND SEPARATION

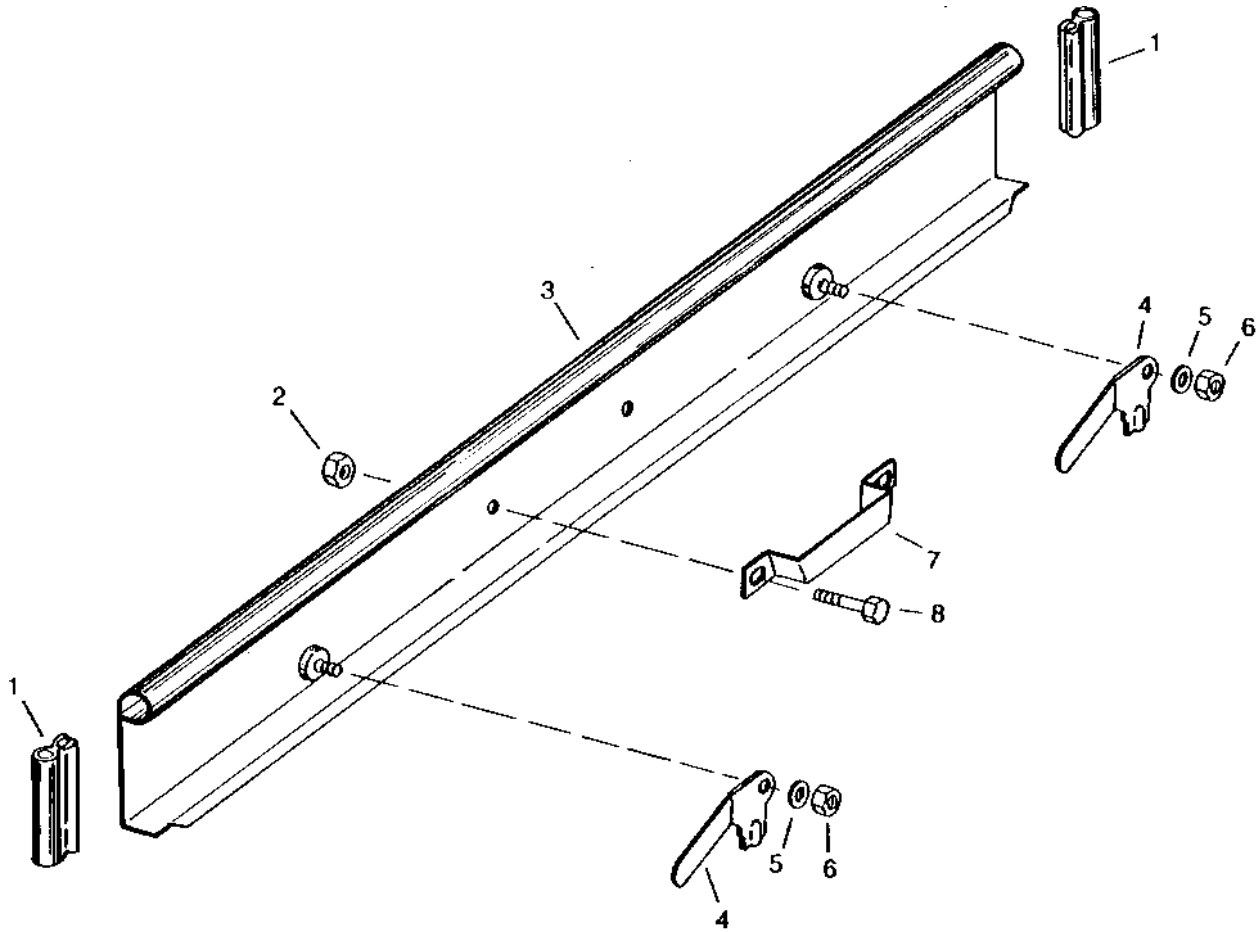
BEATER COVER - CONTINUED

KEY	PART NO.	PART NAME	QTY	SERIAL NO.	REMARKS
1	AH121997	COVER	1		
2	14M7298	FLANGE NUT	6	M8	
3	37M7080	SCREW	10	M10 X 30	
4	37M7058	SCREW	8	M8 X 20	

4C19

SHOE GRAIN SUPPLY AUGER CLEANOUT DOOR, HANDLE AND LATCHES

HP3496 -UN-01JAN94



HP3496

4C20

THRESHING AND SEPARATION

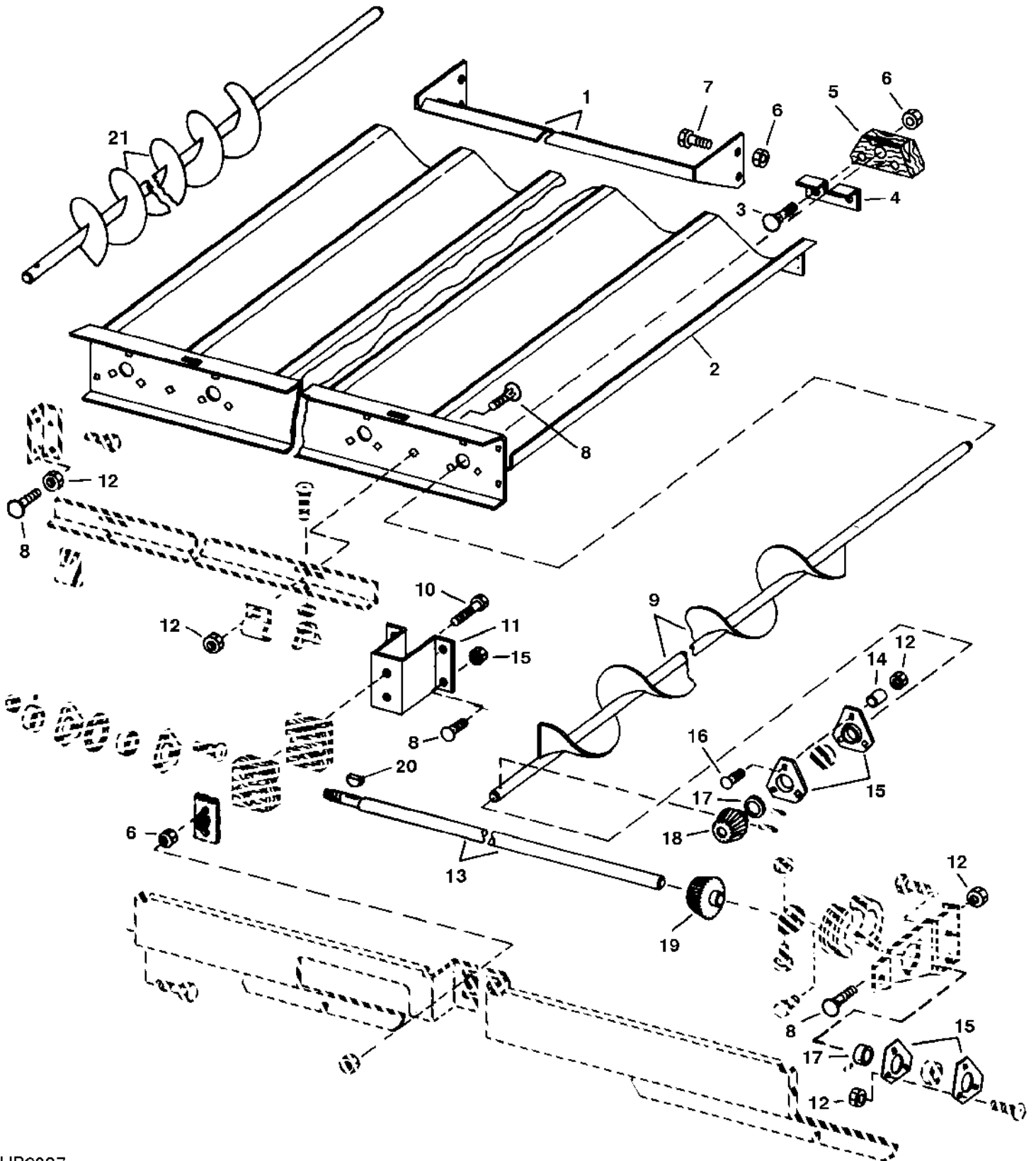
SHOE GRAIN SUPPLY AUGER CLEANOUT DOOR, HANDLE AND LATCHES -CONTINUED

KEY	PART NO.	PART NAME	QTY	SERIAL NO.	REMARKS
1	H131108	ISOLATOR	2		
2	14M7298	FLANGE NUT	2		M8
3	AH126119	DOOR	1	-28SE98	(SUB AH160486)
	AH160486	DOOR	1	28SE98-	
4	H127532	HANDLE	2		
5	24M7207	WASHER	2		8.400 X 24 X 2 MM
6	14M7396	LOCK NUT	2		M8
7	H85184	HANDLE	1		
8	19M7865	SCREW	2		M8 X 16

4C21

THRESHING AND SEPARATION

SHOE GRAIN SUPPLY AUGERS AND HOUSING
HP6887 -UN-18AUG97



HP6887

4C22

THRESHING AND SEPARATION

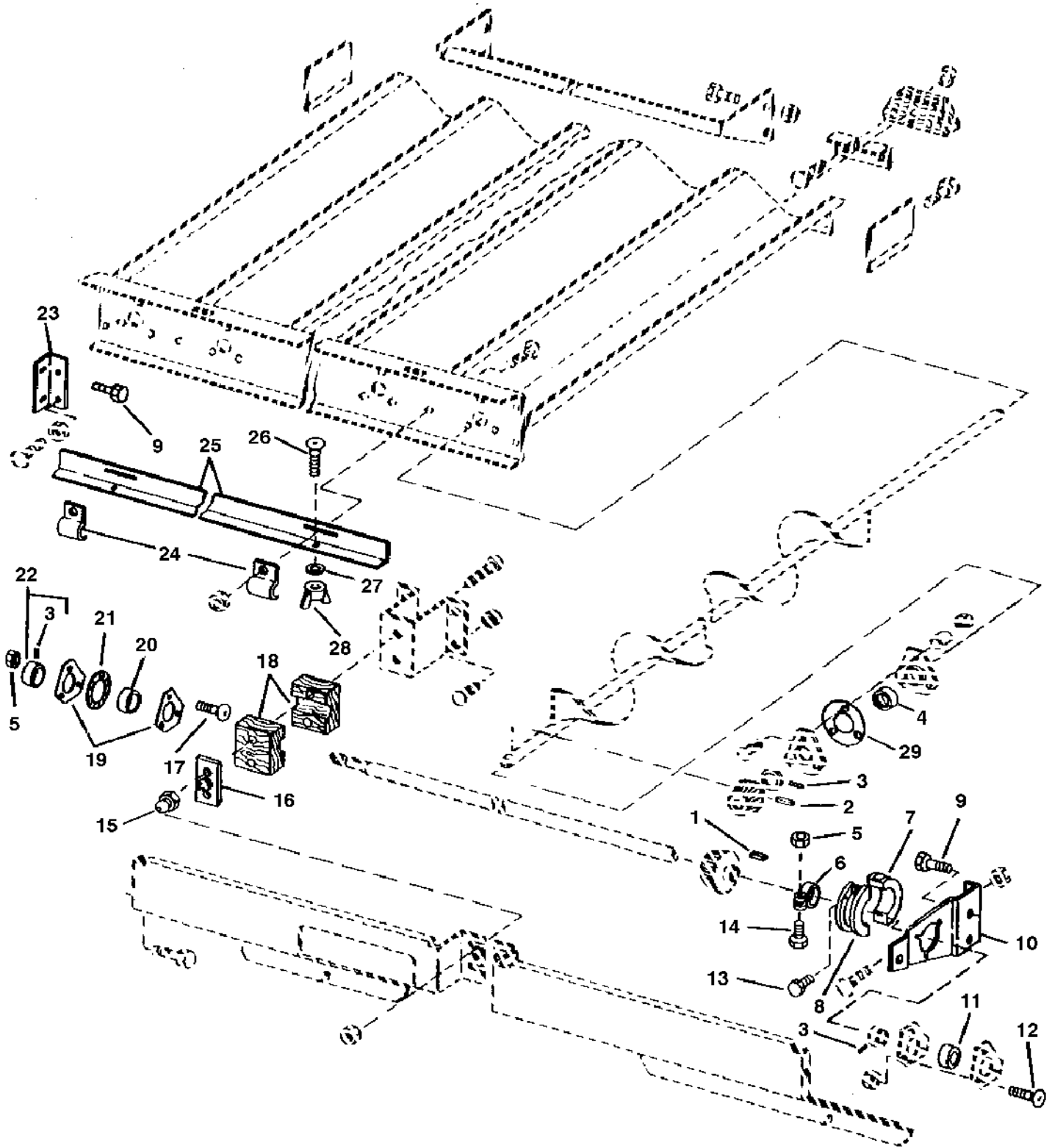
SHOE GRAIN SUPPLY AUGERS AND HOUSING - CONTINUED

KEY	PART NO.	PART NAME	QTY	SERIAL NO.	REMARKS
1	AH126191	SUPPORT	1		
2	AH146655	TROUGH	1		
3	03M7267	BOLT	AR	M8 X 80	
4	H142189	STRIPPER	AR		
5	H142188	BEARING	AR		ADD GREASE TO BLOCK BEFORE ASSEMBLY
	AH139342	BEARING KIT	1		EXTENSIVE WEAR KIT (7 AUGER BEARINGS)
6	14M7396	LOCK NUT	17	M8	
7	19M7867	SCREW	4	M8 X 25	
8	03M7183	BOLT	AR	M8 X 16	
9	AH130424	AUGER	3	R.H. FLIGHTING	
10	19M8039	SCREW	2	M8 X 80	
11	H91205	BRACKET	1		
12	14M7298	FLANGE NUT	25	M8	
13	H135422	DRIVE SHAFT	1		
14	28H1720	BUSHING	AR	0.423" X 0.675" X 27/32"	
15	H103264	PRESSED FLANGED HOUSING	14		
16	03M7189	BOLT	AR	M8 X 45	
17	JD8554	ECCENTRIC LOCKING COLLAR	7		
18	H137215	GEAR	6		
19	H137215	GEAR	6		
20	26M4226	SHAFT KEY	2	5 X 19 MM (0.197" X 0.748")	WOODRUFF
21	AH130425	AUGER	3	L.H. FLIGHTING	
..	TY6333	GREASE	1		

4C23

THRESHING AND SEPARATION

SHOE GRAIN SUPPLY AUGERS AND HOUSING
HP6888 -UN-12SEP97



HP6888

4C24

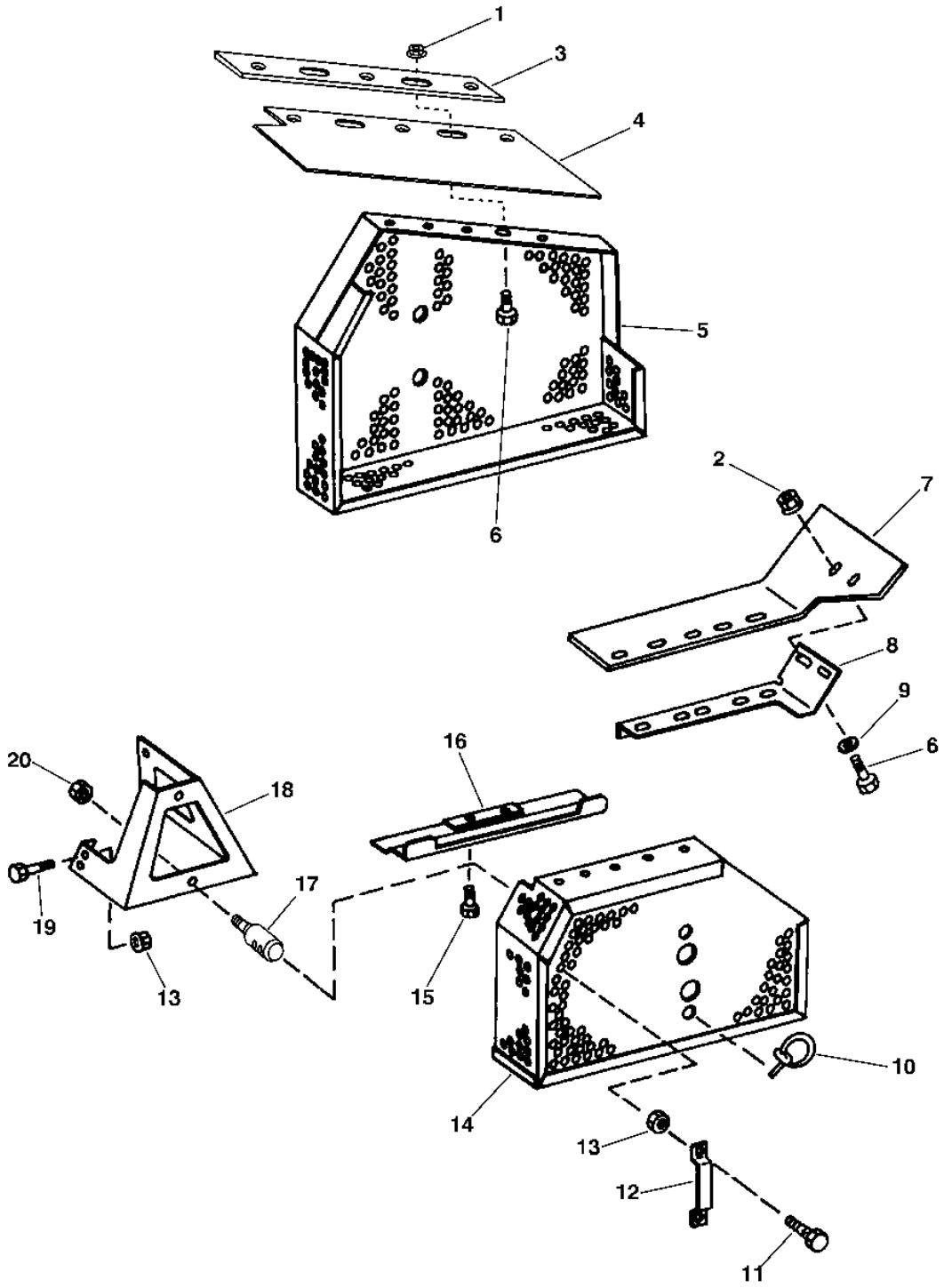
THRESHING AND SEPARATION

SHOE GRAIN SUPPLY AUGERS AND HOUSING - CONTINUED

KEY	PART NO.	PART NAME	QTY	SERIAL NO.	REMARKS
1	SHAFT KEY	AR		1/4 X 3/4 IN. (MAKE FROM H64374)
2	34H119	SPRING PIN	AR		5/16" X 1-3/4"
3	SET SCREW	1		
4	JD9273	BALL BEARING	AR		
5	14M7296	FLANGE NUT	10	M10	
6	H145112	CLAMP	7		
7	H104795	ACTUATOR	1		
8	H104796	ACTUATOR	1		
9	19M7866	SCREW	4	M8 X 20	
10	H127524	BRACKET	1		
11	JD8665	BALL BEARING	1		
12	03M7184	BOLT	3	M8 X 20	
13	H168924	SCREW	1	0.190" X 1"	
14	19M7572	CAP SCREW	AR	M10 X 45	
15	JD7767	LUBRICATION FITTING	1		
16	AH142370	LUBRICATION FITTING	1		
17	03M7191	BOLT	3	M10 X 25	
18	H135475	BEARING	2		
19	E10018	PRESSED FLANGED HOUSING	2		
20	AH129451	BALL BEARING	1		
21	H102533	SHIM	1		
22	AH129452	ECCENTRIC LOCKING COLLAR	1		
23	H127525	ANGLE	1		
24	H94167	CLAMP	2		
25	H134025	SHEET	1		
26	03M7221	BOLT	2	M6 X 16	
27	24M7139	WASHER	2	6.400 X 18 X 1.600 MM	
28	14M7019	WING NUT	2	M6	
29	H36155	SHIM	1	0.762 MM	
..	TY6333	GREASE	1		

4D1

CLEANING FAN LEAF SCREENS (CORN)
HP6508 -UN-15JUL96



HP6508

4D2

THRESHING AND SEPARATION

CLEANING FAN LEAF SCREENS (CORN) - CONTINUED

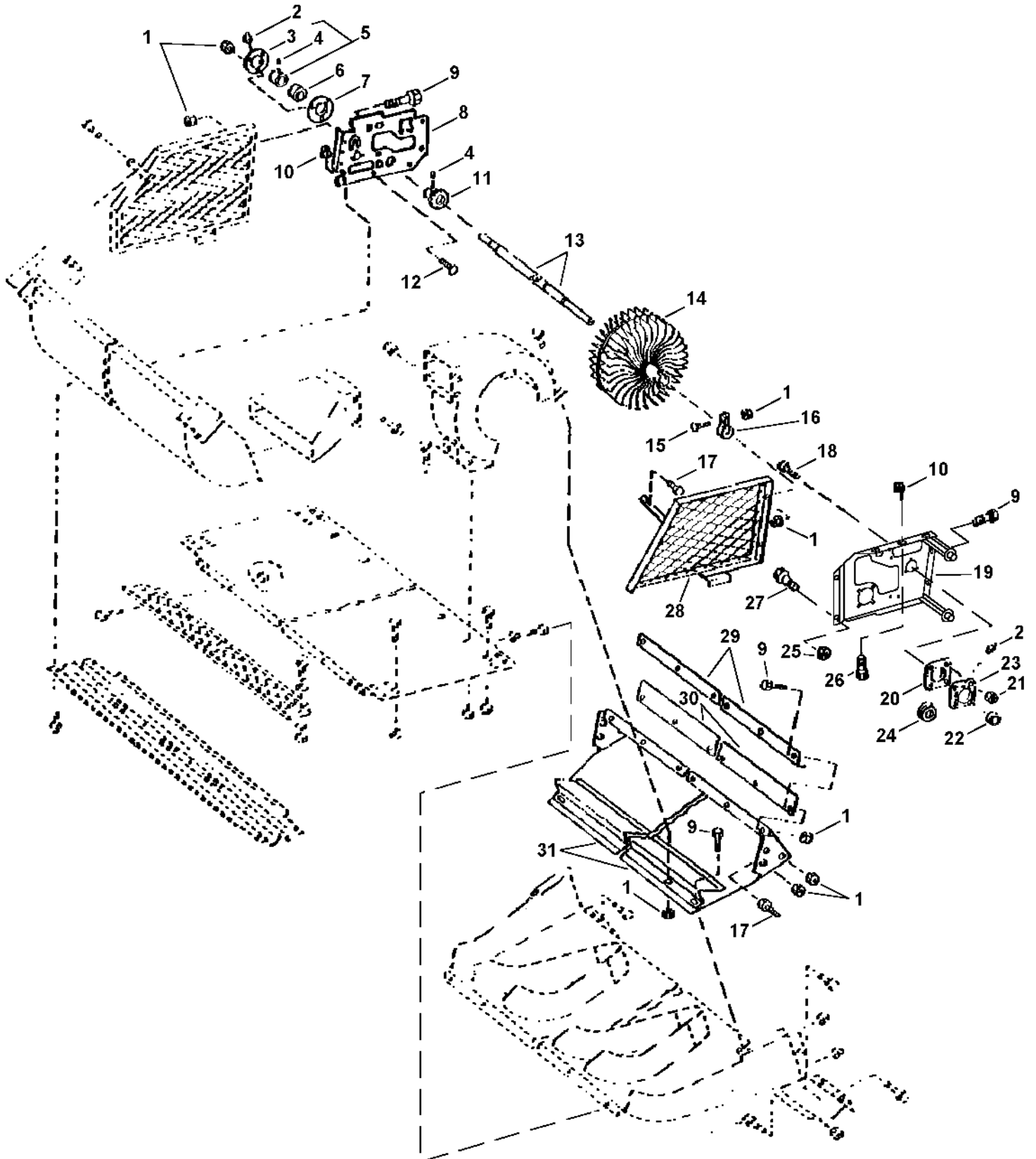
KEY	PART NO.	PART NAME	QTY	SERIAL NO.	REMARKS
1	14M7400	LOCK NUT	7	M10	
2	14M7298	FLANGE NUT	5	M8, R.H.	
3	H154763	SEAL	1		
4	H154762	SEAL	1		
5	AH148107	SCREEN	1	R.H.	
6	19M7866	SCREW	12	M8 X 20	
7	H150910	SEAL	1		
8	H153520	REINFORCEMENT	1		
9	24H1307	WASHER	2	10.312 X 25.400 X 1.600 MM	
10	M72598	QUICK LOCK PIN	2		
11	19M7866	SCREW	6	M8 X 20	
12	H85184	HANDLE	4		
13	14M7298	FLANGE NUT	10	M8	
14	AH147201	SCREEN	1	L.H.	
15	19M7898	SCREW	4	M10 X 130	
16	AH132356	CLIP	2	SHIELD	
17	H154757	STUD	2	SHOULDERED	
18	H146757	BRACKET	1		
19	19M7866	SCREW	2	M8 X 20	
20	14M7294	NUT	2	M10	

BH81006 (COMPLETE GOODS) CORN LEAF SCREENS

4D3

CLEANING FANS AND SHROUDS

HP7427 -UN-23FEB98



HP7427

4D4

THRESHING AND SEPARATION

CLEANING FANS AND SHROUDS - CONTINUED

KEY	PART NO.	PART NAME	QTY	SERIAL NO.	REMARKS
1	H137328	LOCK NUT	AR	M8	
2	JD7788	LUBRICATION FITTING	2	450 X 20.574 MM LONG (0.810" LONG)	
3	AE26118	PRESSED FLANGED HOUSING	1		
4	22M7027	SET SCREW	2	M6 X 16	
5	AZ10044	ECCENTRIC LOCKING COLLAR	1		
6	JD9490	BALL BEARING	1		
7	N52258	PRESSED FLANGED HOUSING	1		
8	H150091	BRACKET	1	RIGHT-HAND	
9	19M7865	SCREW	AR	M8 X 16	
10	14M7400	LOCK NUT	4	M10	
11	H122372	WHEEL	2		
12	03M7185	BOLT	3	M8 X 25	
13	H135396	SHAFT	1		
14	H130355	ROTOR	4		
15	03M7189	BOLT	8		
16	H144467	CLAMP	8		
	H130695	CLAMP	8		
17	19M7867	SCREW	AR	M8 X 25	
18	03M7198	BOLT	4	M12 X 30	
19	AH149328	BRACKET	1	(INCLUDES H150092) L.H. BEARING	
	H150092	BRACKET	1	L.H.	
20	H113625	PRESSED FLANGED HOUSING	1		
21	14M7299	FLANGE NUT	AR	M12	
22	AL14674	ECCENTRIC LOCKING COLLAR	1		
23	H113626	PRESSED FLANGED HOUSING	1		
24	AH139297	BALL BEARING	1		
25	14M7396	LOCK NUT	AR	M8	
26	19M7944	SCREW	4	M10 X 120	
27	19M7803	SCREW	4	M8 X 70	
28	AH130988	SHIELD	4	L.H. (FOR CORN ONLY)	
29	H134308	REINFORCEMENT	1		
30	H133081	SEAL	1		
31	AH128313	AIR DUCT	1		

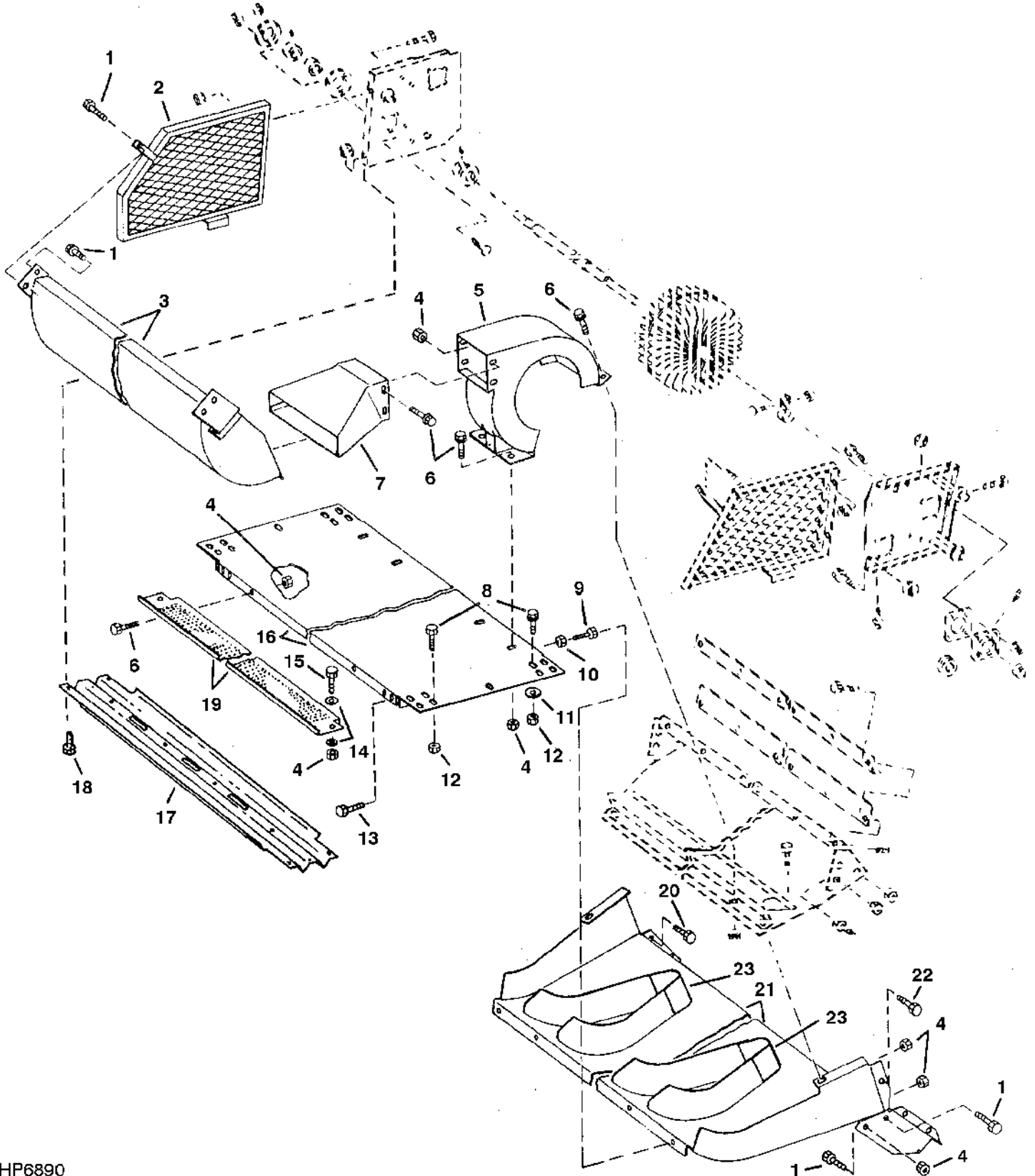
BH80129 (COMPLETE GOODS) CLEANING FAN SHIELDS

4D5

THRESHING AND SEPARATION

CLEANING FAN AND SHROUDS

HP6890 -UN-18AUG97



HP6890

4D6

THRESHING AND SEPARATION

CLEANING FANS AND SHROUDS - CONTINUED

KEY	PART NO.	PART NAME	QTY	SERIAL NO.	REMARKS
1	19M7867	SCREW	AR	M8 X 25	
	37M7083	SCREW	4	M8 X 12, (USED ON AIR DUCT)	
2	AH127726	SHIELD	1	R.H.	
3	AH126214	AIR DUCT	1		
4	14M7298	FLANGE NUT	AR	M8	
5	AH125692	HOUSING	4		
6	19M7865	SCREW	AR	M8 X 16	
7	AH128618	DIFFUSER	4		
8	19M7818	SCREW	AR	M12 X 80	
9	19M7866	SCREW	AR	M8 X 20	
10	14M7396	LOCK NUT	AR	M8	
11	28H2611	SPACER	18	0.546" X 0.840" X 2"	
12	14M7299	FLANGE NUT	AR	M12	
13	19M7789	SCREW	4	M12 X 30	
14	24M7207	WASHER	4	8.400 X 24 X 2 MM	
15	19M7868	SCREW	2		
16	AH149879	SUPPORT	1		
17	H137389	PLATE	1	(FOR RICE ONLY)	
	H157282	PLATE	1	(FOR CORN AND GRAIN ONLY)	
18	19M7898	SCREW	4	M10 X 130	
19	H144558	SHIELD	1	(FOR CORN,BEAN OR RICE)	
20	19M8039	SCREW	AR	M8 X 80	
21	AH130477	AIR DUCT	1		
22	19M7800	SCREW	1	M8 X 50	
	19M7867	SCREW	1	M8 X 25	
23	AH138384	MOUNTING PARTS	1	(CONTAINS (3) COVERS)	

BH80129 (COMPLETE GOODS) CLEANING FAN SHIELDS

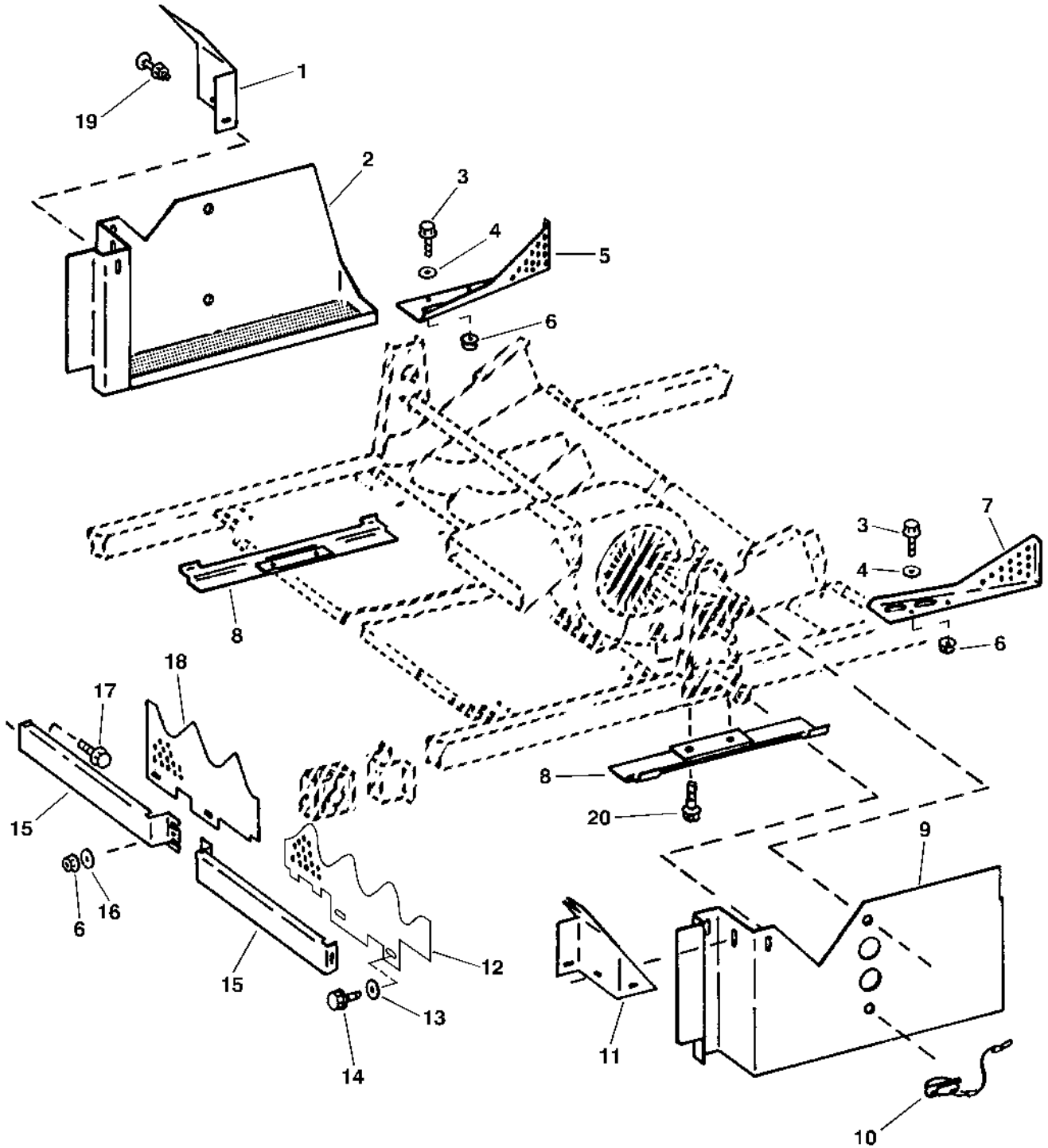
4D7

THRESHING AND SEPARATION

CLEANING FAN INTAKE SHIELDS

(OPTIONAL)

HP7233 -UN-12JAN98



HP7233

4D8

THRESHING AND SEPARATION

**CLEANING FAN INTAKE SHIELDS - CONTINUED
(OPTIONAL)**

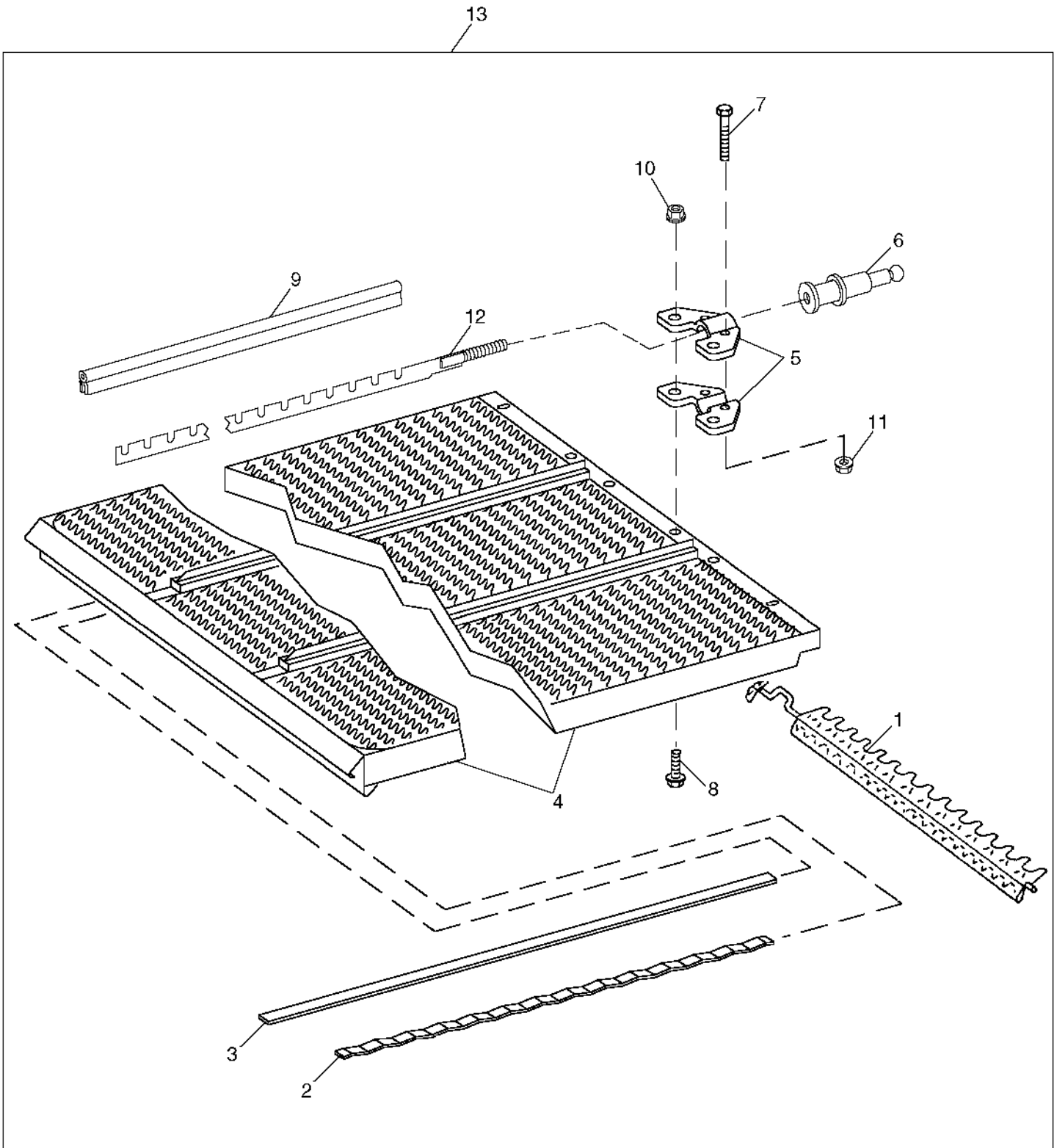
KEY	PART NO.	PART NAME	QTY	SERIAL NO.	REMARKS
1	H144556	SHIELD	1		RIGHT-HAND
2	AH138374	SHIELD	1		RIGHT-HAND
3	19M7801	SCREW	2		M8 X 60
4	24H1296	WASHER	2		
5	H145950	SHIELD	1		RIGHT-HAND
6	14M7298	FLANGE NUT	4		M8
7	H145949	SHIELD	1		LEFT-HAND
8	AH132356	CLIP	2		(FOR RICE ONLY)
9	AH138375	SHIELD	1		LEFT-HAND
10	AH135290	QUICK LOCK PIN	2		
11	H144557	SHIELD	1		LEFT-HAND
12	H145899	SHIELD	1		(SUB H148361)
	H148361	SHIELD	1		LEFT-HAND
13	24M7178	WASHER	4		10.500 X 30 X 2.500 MM
14	37M7086	SCREW	4		M10 X 20, SELF-TAPPING
15	H151897	SHIELD	2		
16	24M7055	WASHER	2		8.400 X 16 X 1.600 MM
17	19M7866	SCREW	2		M8 X 20, (INTO WELDNUT)
18	H148362	SHIELD	1		RIGHT-HAND
19	03M7183	BOLT	6		M8 X 16
	14M7298	FLANGE NUT	6		M8
20	19M7898	SCREW	4		M10 X 130, (FOR RICE ONLY)

BH79685 (COMPLETE GOODS) CLEANING FAN SHIELDS

BH79773 (COMPLETE GOODS) AXLE TRASH SHIELDS

4D9

PRECLEANING CHAFFER
HP8093 -UN-18DEC98



HP8093

4D10

THRESHING AND SEPARATION

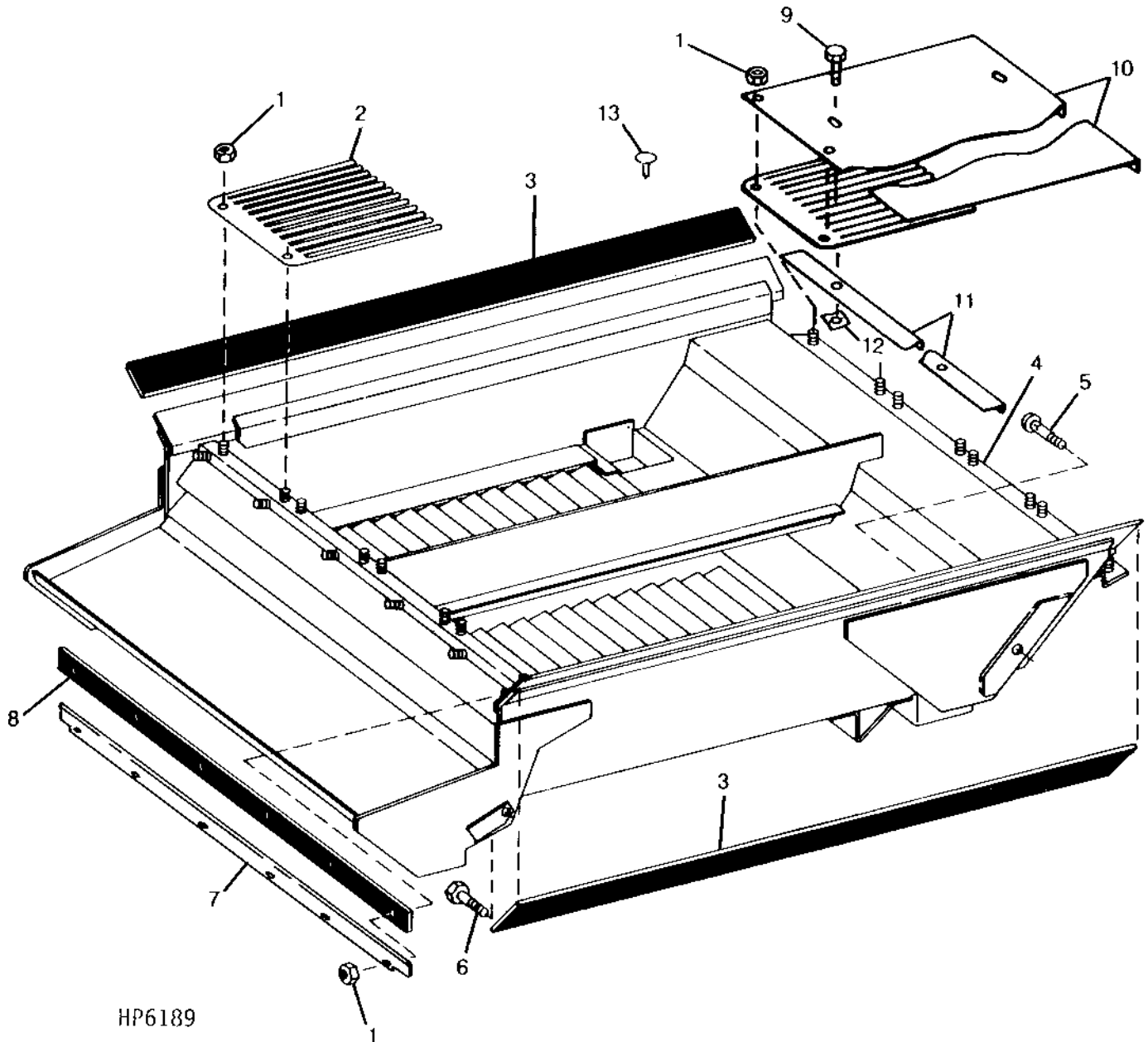
PRECLEANING CHAFFER - CONTINUED

KEY	PART NO.	PART NAME	QTY	SERIAL NO.	REMARKS
1	AH130185	LOUVER	26		GENERAL PURPOSE LOUVER (USED ON AH149545)
	AH127465	LOUVER	1		DEEP TOOTH LOUVER (USED ON AH149545)
	AH127465	LOUVER	27		DEEP TOOTH LOUVER (USED ON AH149549)
2	H132291	LEAF SPRING	2		
3	H132288	STRIP	3		
4	AH131215	CHAFFER	2		FIXED, 3MM (1/8") ROUND HOLES
	AH127871	CHAFFER	2		STEP PAN SURFACE, NON-PERFORATED
	AH149545	PRESCREENER	2		GENERAL PURPOSE
	AH149549	PRESCREENER	2		DEEP TOOTH WIDE
5	H156800	RETAINER	2		
6	H156801	ACTUATOR	1		
7	19M7775	SCREW	2		M6 X 16
8	19M7784	SCREW	2		M10 X 20
9	AH140044	ISOLATOR	1		(CUT TO LENGTH)
10	14M7400	LOCK NUT	2		M10
11	14M7397	LOCK NUT	2		M6
12	AH156717	STRIP	1		
13	AH149545	PRESCREENER	1		GENERAL PURPOSE
	AH149549	PRESCREENER	1		DEEP TOOTH ELEMENT

4D11

THRESHING AND SEPARATION

PRECLEANER CHAFFER FRAME
HP6189 -UN-03OCT95



HP6189

4D12

THRESHING AND SEPARATION

PRECLEANER CHAFFER FRAME - CONTINUED

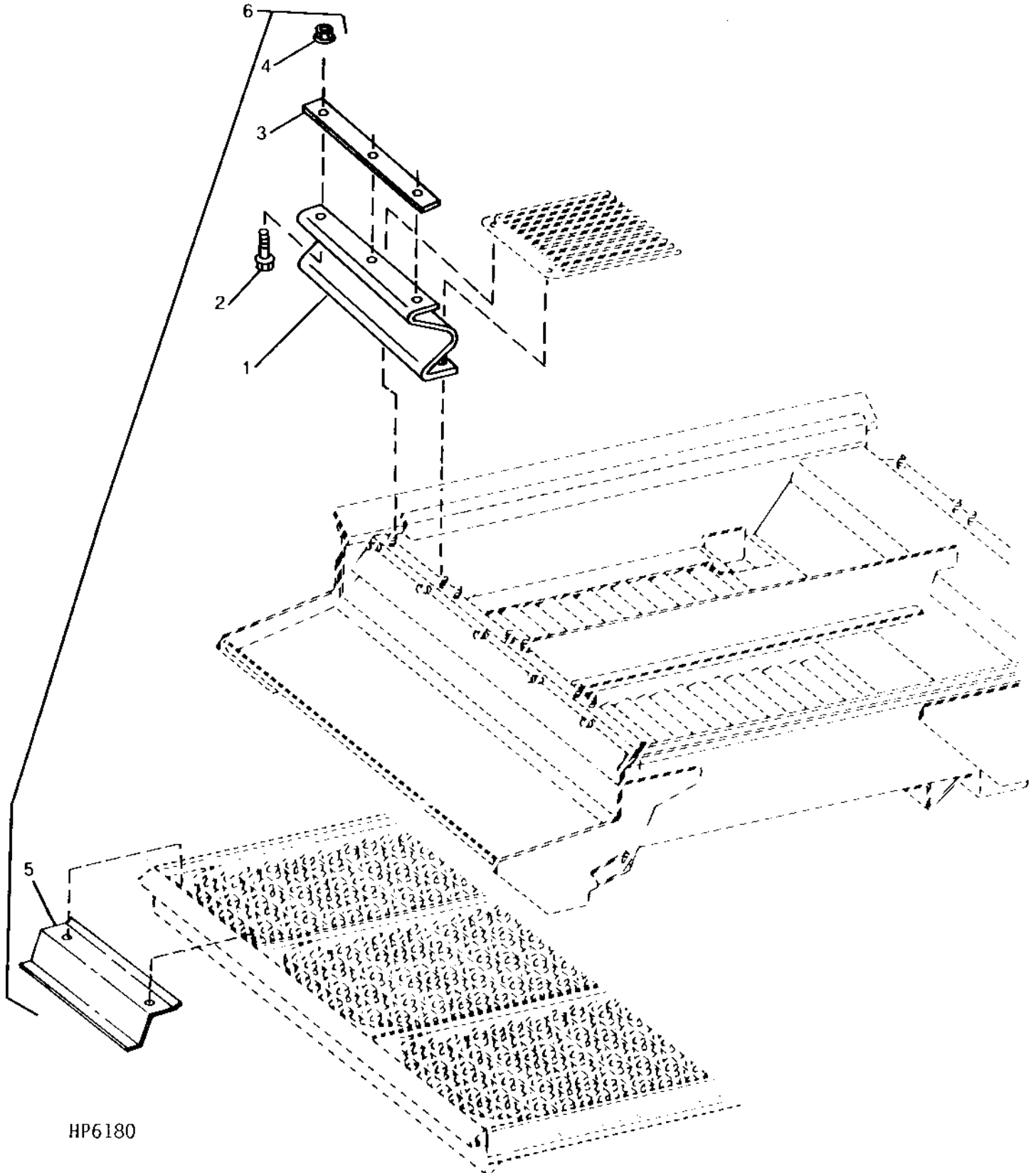
KEY	PART NO.	PART NAME	QTY	SERIAL NO.	REMARKS
1	14M7396	LOCK NUT	AR	M8	
2	H132161	FINGER	4	15 FINGER (FRONT)	
	H156717	FINGER	2	12 FINGER	
	H156718	FINGER	4	15 FINGER (REAR)	
3	H140247	SEAL	2		
4	AH153808	FRAME	1		
5	03M7281	BOLT	2	M16 X 180	
6	19M7758	CAP SCREW	2	M12 X 130	
7	H152617	STRIP	1		
8	H152616	SEAL	1		
9	19M7868	SCREW	AR	M8 X 30	
10	H136609	SHEET	1		
11	H136611	ANGLE	1		
12	R87345	LOCK NUT	AR		
13	R55326	RIVET	6		

BH78575 (COMPLETE GOODS) MAIZE COVER

4D13

THRESHING AND SEPARATION

GRAIN LEAK KIT
HP6180 -UN-03OCT95



HP6180

4D14

THRESHING AND SEPARATION

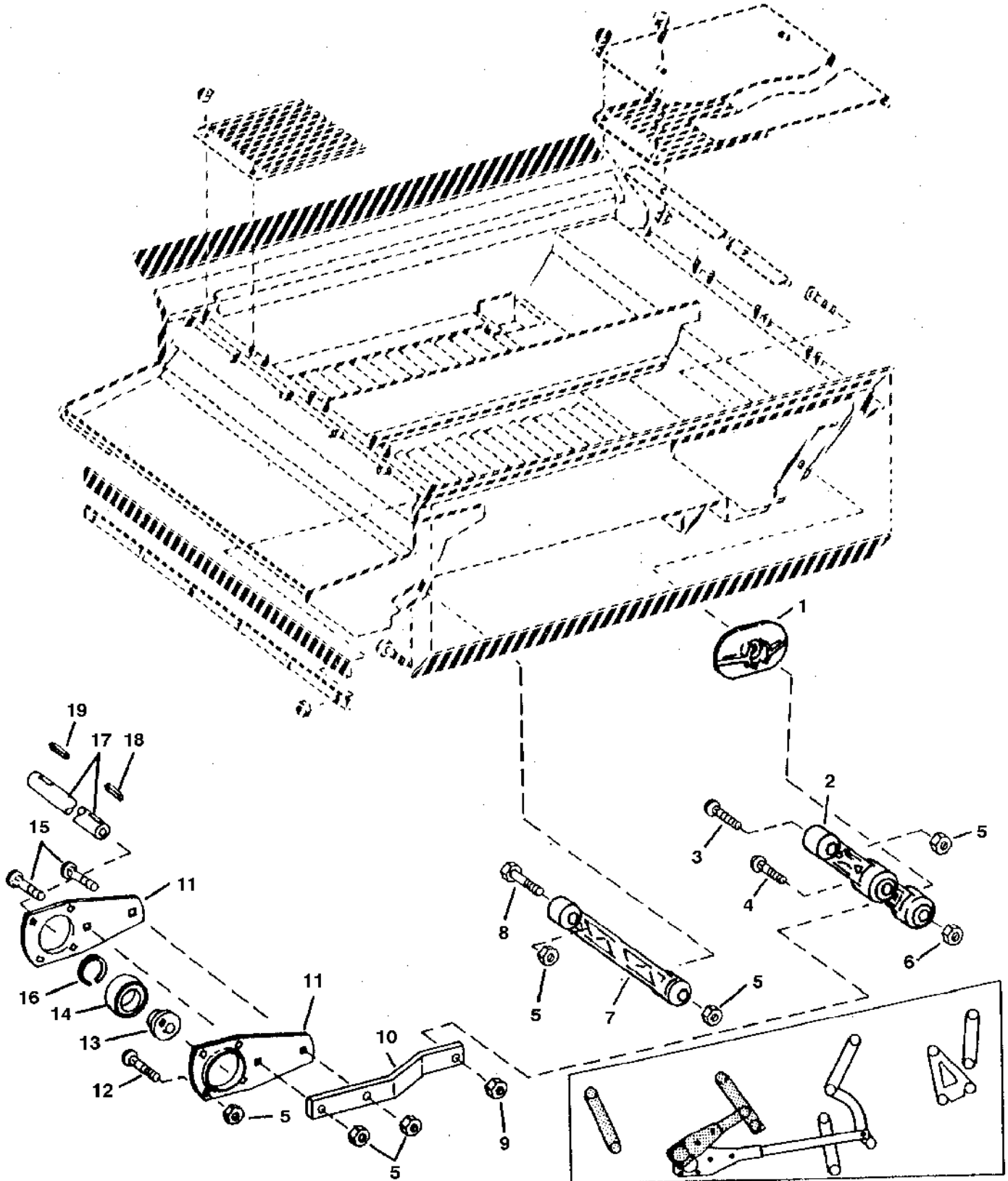
GRAIN LEAK KIT - CONTINUED

KEY	PART NO.	PART NAME	QTY	SERIAL NO.	REMARKS
1	H153648	SEAL	2		(R.H. SIDE ILLUSTRATED)
2	19M7862	SCREW	6		M6 X 20
3	H153649	STRAP	1		
4	14M7303	FLANGE NUT	6		M6
5	H153760	GUARD	4		(R.H. SIDE ILLUSTRATED)
6	AH147584	KIT	1		COMPLETE

4D15

THRESHING AND SEPARATION

PRECLEANER CHAFFER FRAME ARMS
HP6891 -UN-18AUG97



HP6891

4D16

THRESHING AND SEPARATION

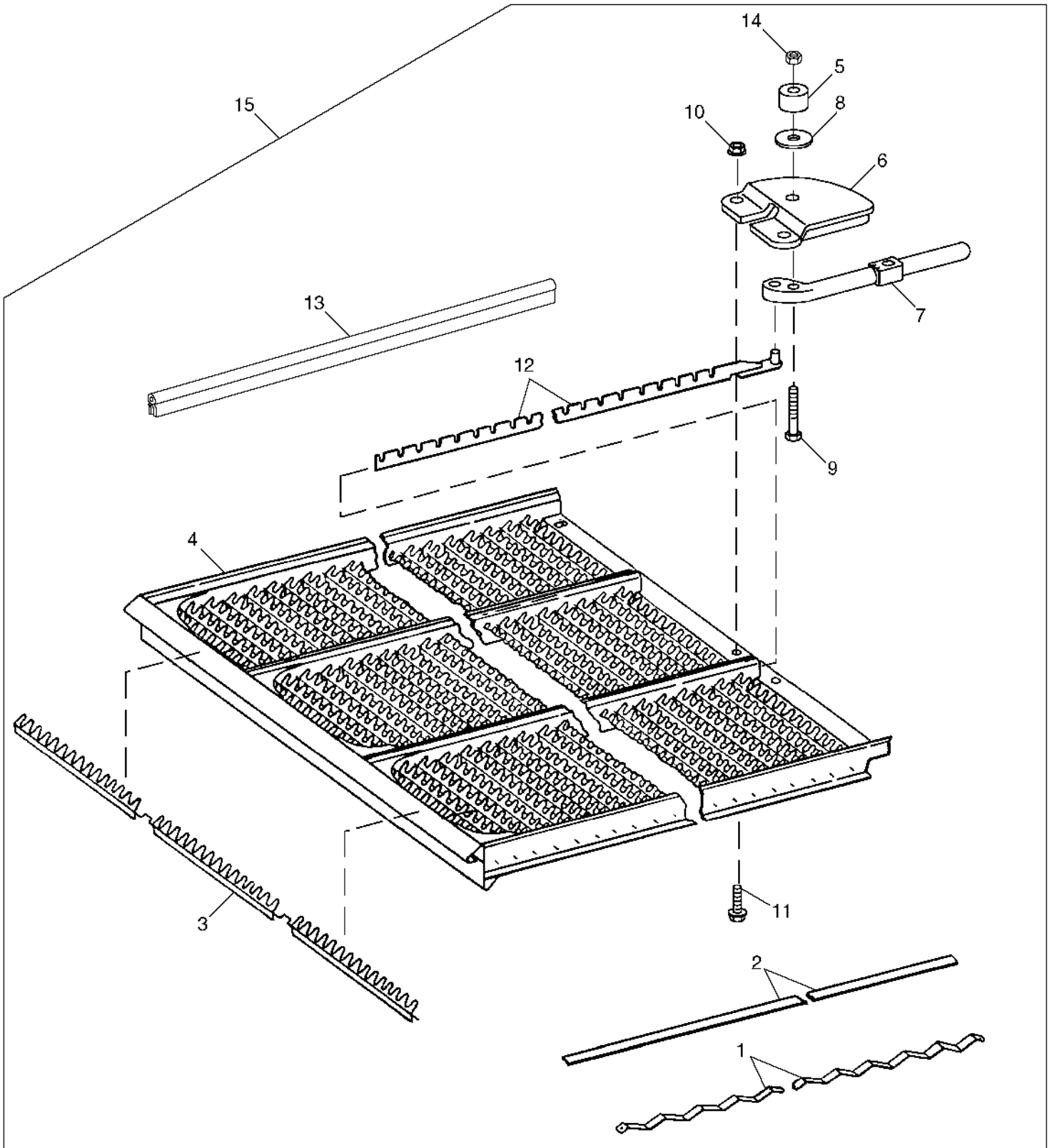
PRECLEANER CHAFFER FRAME ARMS - CONTINUED

KEY	PART NO.	PART NAME	QTY	SERIAL NO.	REMARKS
1	H146672	SEAL	2		(USE WITH AH138234) ONLY
2	AH138234	LINK	2		CAST
3	03M7248	BOLT	2		M12 X 90
4	19M8043	CAP SCREW	2		M16 X 140
5	14M7299	FLANGE NUT	AR		M12
6	14M7276	NUT	2		M16
7	AH138231	LINK	2		CAST
8	19M7818	SCREW	1		M12 X 80
9	14M7291	FLANGE NUT	2		M16
10	H130922	PITMAN	2		
11	H134118	PRESSED FLANGED HOUSING	4		
12	03M7197	BOLT	AR		M12 X 25
13	H133599	CAM	1		LEFT-HAND
	H133602	CAM	1		RIGHT-HAND
14	AH125975	BALL BEARING	2		
15	03M7200	BOLT	AR		M12 X 40
16	R43383	SNAP RING	2		
17	H133598	SHAFT	1		CLEANING SHOE SHAFT
18	SHAFT KEY	1		6 X 50 MM(IN AH141142 KEY STOCK KIT) (CUT FROM H150268)
19	SHAFT KEY	1		6 X 100MM (IN AH141142 KEY STOCK KIT) (CUT FROM H150268)

4D17

THRESHING AND SEPARATION

CHAFFER ELEMENT
HP8094 -UN-18DEC98



HP8094

4D18

THRESHING AND SEPARATION

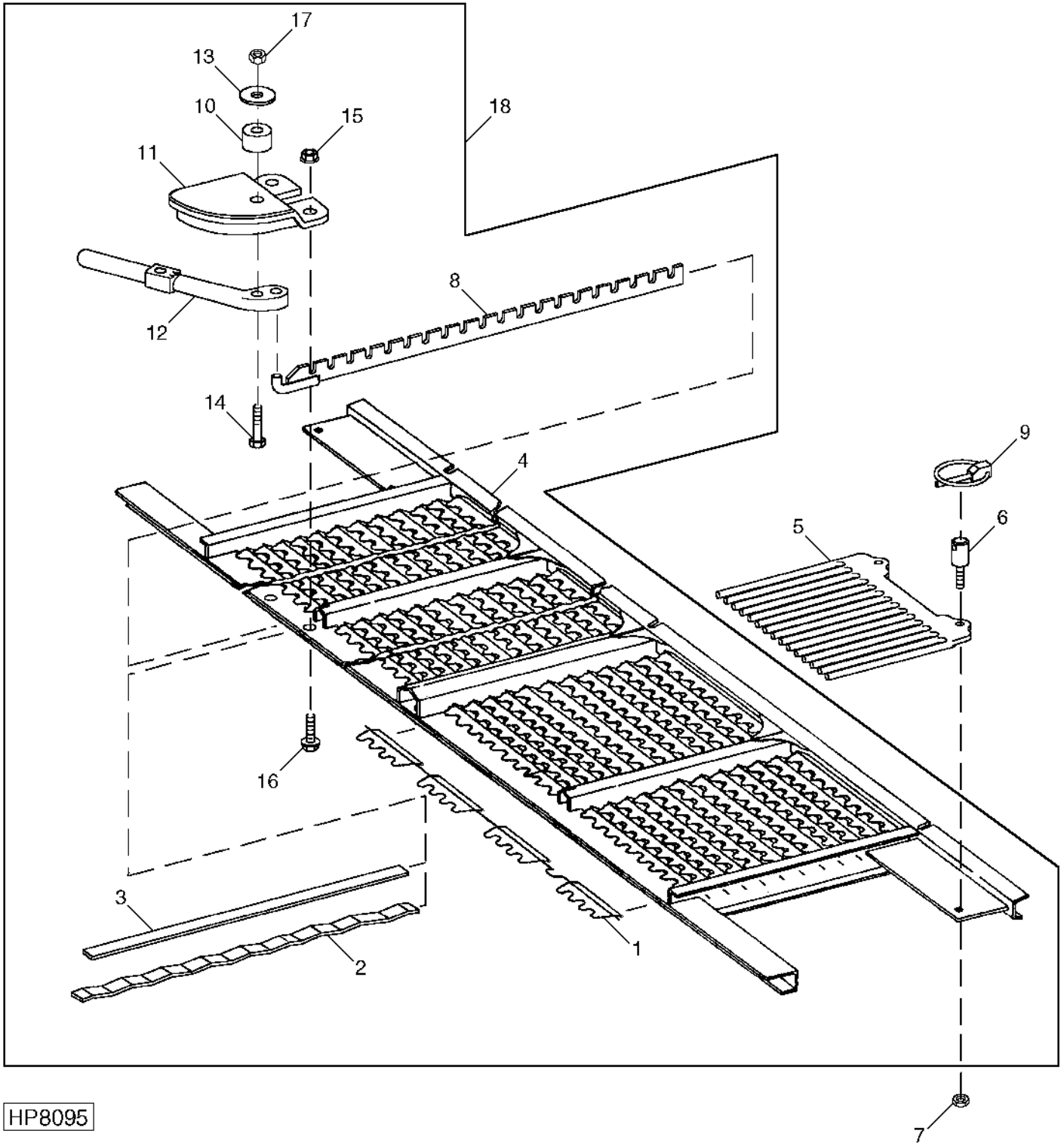
CHAFFER ELEMENT - CONTINUED

KEY	PART NO.	PART NAME	QTY	SERIAL NO.	REMARKS
1	H132291	LEAF SPRING	1		
2	H132288	STRIP	1		
3	AH132787	LOUVER	26		GENERAL PURPOSE LOUVERS (USED ON AH149551)
	AH127465	LOUVER	1		SEMI-DEEP TOOTH LOUVERS (USED ON AH149551)
	AH127465	LOUVER	27		SEMI-DEEP TOOTH LOUVERS (USED ON AH149553)
4	AH130486	CHAFFER	2		FIXED LOUVERS
5	A37576	PAD	1		
6	H157740	BRACKET	1		
7	H157743	HANDLE	1		
8	24H1695	WASHER	1		
9	19M7177	CAP SCREW	1		M6 X 35
10	14M7296	FLANGE NUT	2		M10
11	19M7784	SCREW	2		M10 X 20
12	AH150167	STRIP	1		
13	AH140044	ISOLATOR	1		
14	14M7397	LOCK NUT	1		M6
15	AH149551	CHAFFER	2		GENERAL PURPOSE
	AH149553	CHAFFER	2		DEEP TOOTH

4D19

THRESHING AND SEPARATION

CHAFFER EXTENSION ELEMENT
HP8095 -UN-18DEC98



HP8095

4D20

THRESHING AND SEPARATION

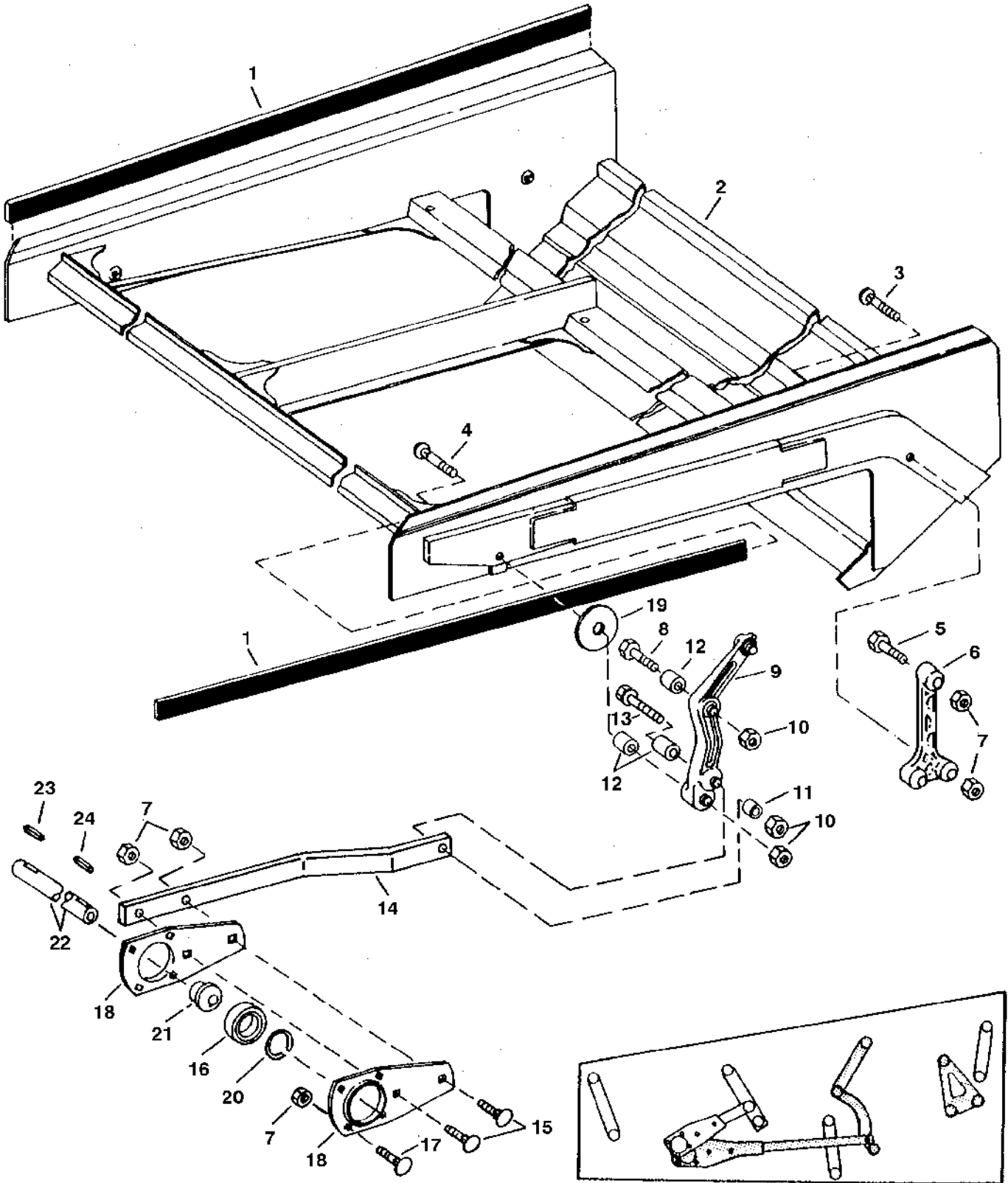
CHAFFER EXTENSION ELEMENT - CONTINUED

KEY	PART NO.	PART NAME	QTY	SERIAL NO.	REMARKS
1	AH127466	LOUVER	12		SEMI-DEEP TOOTH LOUVER
2	H132293	LEAF SPRING	2		
3	H132290	STRIP	2		
4	AH130996	CHAFFER	1		FIXED
5	H132161	FINGER	2		
6	H157752	STUD	2		
7	14M7298	FLANGE NUT	2		M8
8	AH150169	STRIP	1		
9	M72598	QUICK LOCK PIN	2		
10	A37576	PAD	1		
11	H157740	BRACKET	1		
12	H157743	HANDLE	1		
13	24H1695	WASHER	1		9/32" X 1-3/8" X 0.065"
14	19M7177	CAP SCREW	1		M6 X 35
15	14M7296	FLANGE NUT	2		M10
16	19M7784	SCREW	2		M10 X 20
17	14M7367	LOCK NUT	1		M12
18	AH149555	EXTENSION	1		ADJUSTABLE

4D21

THRESHING AND SEPARATION

CHAFFER FRAME
HP6892 -UN-01OCT97



HP6892

4D22

THRESHING AND SEPARATION

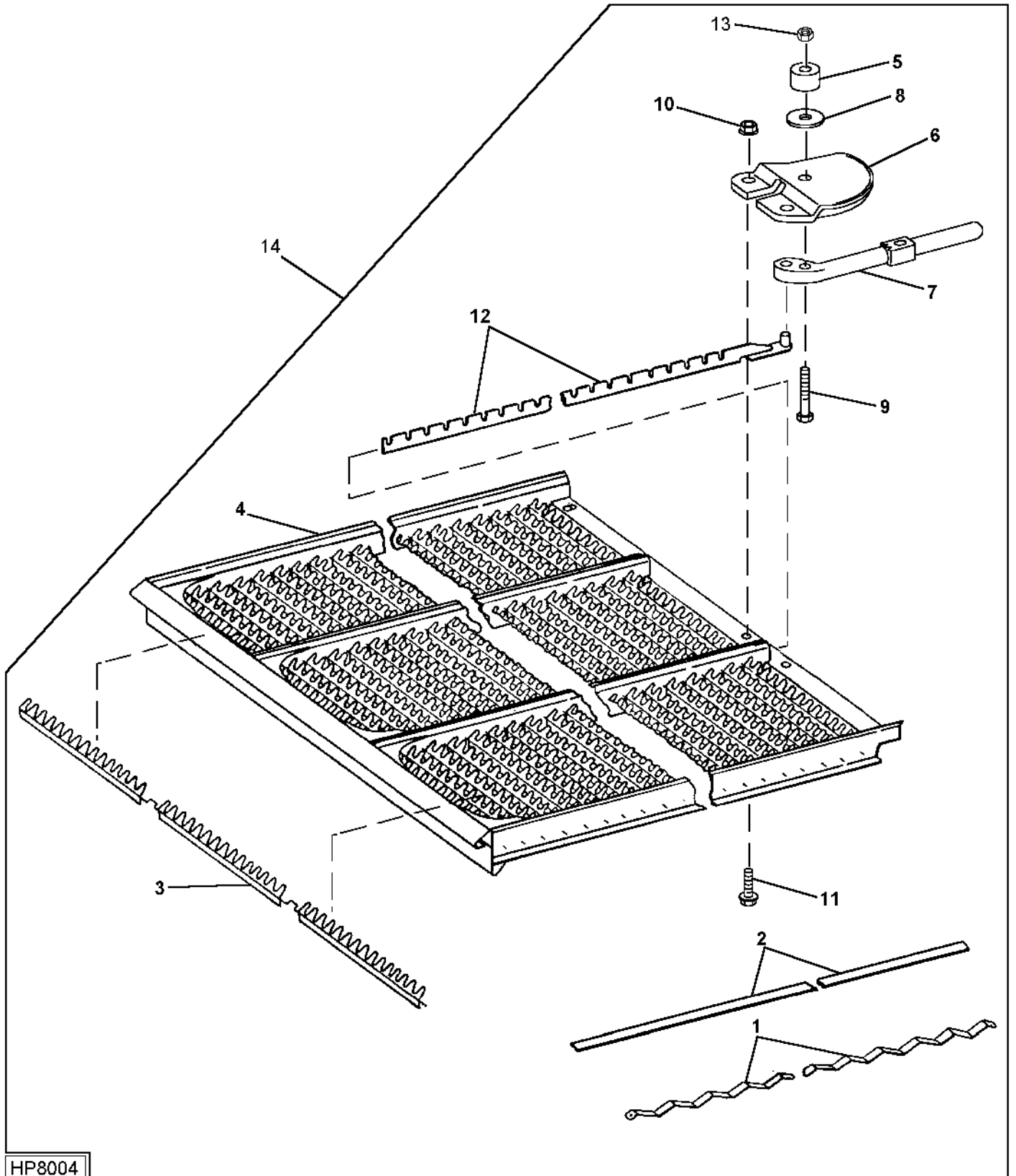
CHAFFER FRAME - CONTINUED

KEY	PART NO.	PART NAME	QTY	SERIAL NO.	REMARKS
1	H175540	SEAL	2		(SUB FOR H131319)
2	AH151971	FRAME	1		
3	19M7943	CAP SCREW	2		M12 X 90
4	19M7732	CAP SCREW	2		M16 X 130
5	03M7248	BOLT	2		M12 X 90
6	AH138232	LINK	2		
7	14M7299	FLANGE NUT	AR		M12
8	H154929	BOLT	2		M16 X 130
9	AH125969	ARM	1		L.H. SIDE
	AH125970	ARM	1		R.H. SIDE
10	14M7291	FLANGE NUT	AR		M16
11	H96690	SPACER	2		
12	AH125201	RUBBER MOUNT	2		
13	19M8486	CAP SCREW	2		M16 X 180
14	H150034	BAR	2		
15	03M7198	BOLT	AR		M12 X 30
	03M7200	BOLT	AR		M12 X 40
16	AH125975	BALL BEARING	2		
17	03M7198	BOLT	AR		M12 X 30
18	H134118	PRESSED FLANGED HOUSING	4		
19	H137188	SEAL	2		
20	R43383	SNAP RING	2		
21	H133600	CAM	1		L H
	H133601	CAM	1		R H
22	H133598	SHAFT	1		
23	SHAFT KEY	1		6 X 50 MM (IN AH141142 KEY STOCK KIT) (CUT FROM H150268)
24	SHAFT KEY	1		6 X 100 MM (IN AH141142 KEY STOCK KIT) (CUT FROM H150268)

4D23

THRESHING AND SEPARATION

SIEVE ELEMENT
HP8004 -UN-29SEP98



HP8004

4D24

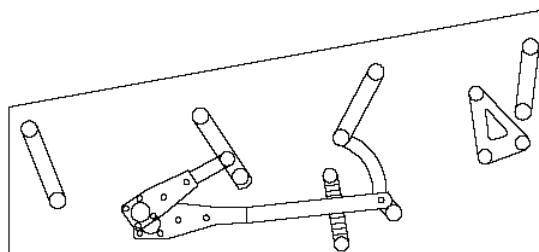
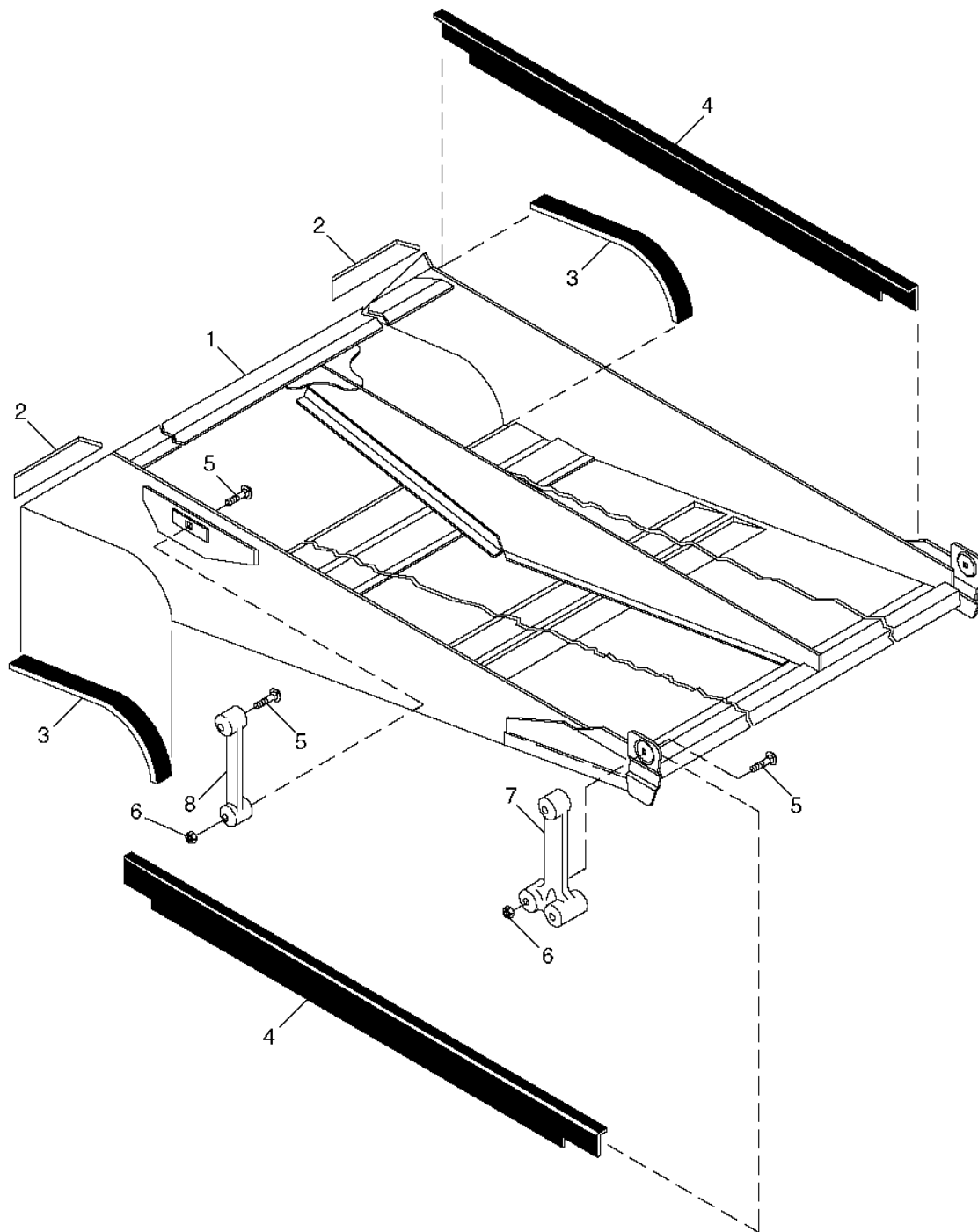
THRESHING AND SEPARATION

SIEVE ELEMENT - CONTINUED

KEY	PART NO.	PART NAME	QTY	SERIAL NO.	REMARKS
1	H132292	LEAF SPRING	1		
2	H132289	STRIP	1		
3	AH154400	LOUVER	40		R.H.
	AH154420	LOUVER	40		L.H.
4	AH131217	SIEVE	1		3MM (1/8") FIXED
	AH131219	SIEVE	1		10MM (3/8") FIXED
5	A37576	PAD	1		
6	H157741	BRACKET	1		R.H.
	H157742	BRACKET	1		L.H.
7	H157744	HANDLE	1		
8	24H1695	WASHER	1		9/32" X 1-3/8" X 0.065"
9	19M7177	CAP SCREW	1		M6 X 35
10	14M7296	FLANGE NUT	2		M10
11	19M7784	SCREW	2		ADJUSTABLE
12	AH150168	STRIP	1		
13	14M7397	LOCK NUT	1		
14	AH149558	SIEVE	1		ADJUSTABLE, R.H.
	AH149559	SIEVE	1		ADJUSTABLE, L.H.

4E1

SIEVE FRAME
HP8500 -UN-21APR99



HP8500

4E2

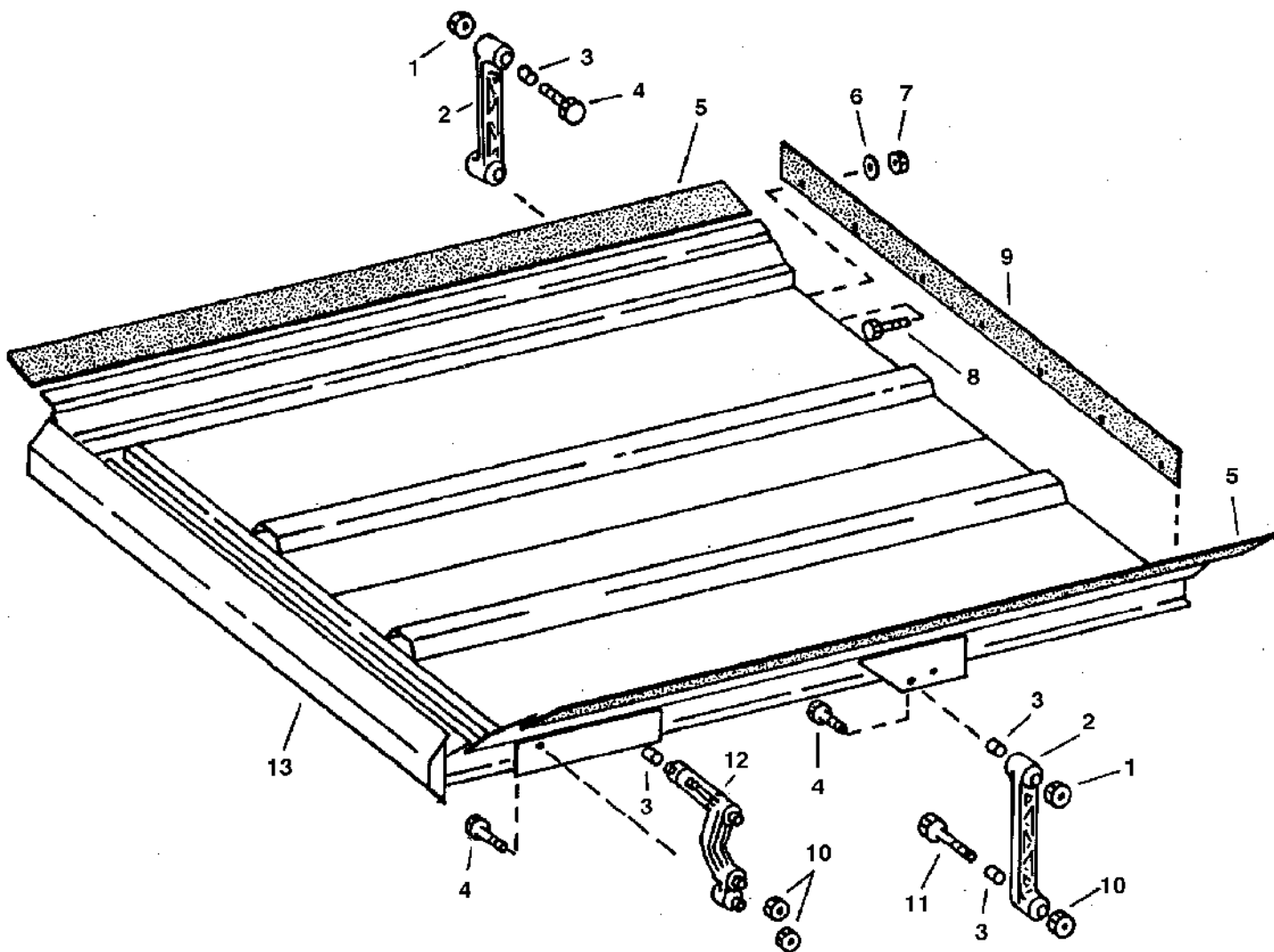
THRESHING AND SEPARATION

SIEVE FRAME - CONTINUED

KEY	PART NO.	PART NAME	QTY	SERIAL NO.	REMARKS
1	AH149701	FRAME	1		
2	H133288	SEAL	2		
3	AH133091	SEAL	2	-675232	(SUB FOR AH132965 AND AH132966) (MAKE FROM AH125163) CUT 320 MM (12-1/2 ") (50 FT. ROLL)
	AH159365	SEAL	2	675233-	
4	H133287	SEAL	2		
5	03M7248	BOLT	6		M12 X 90
6	14M7299	FLANGE NUT	6		M12
7	AH138232	LINK	2		
8	AH138230	LINK	2		

4E3

SHAKER PAN
HP6894 -UN-18AUG97



HP6894

4E4

THRESHING AND SEPARATION

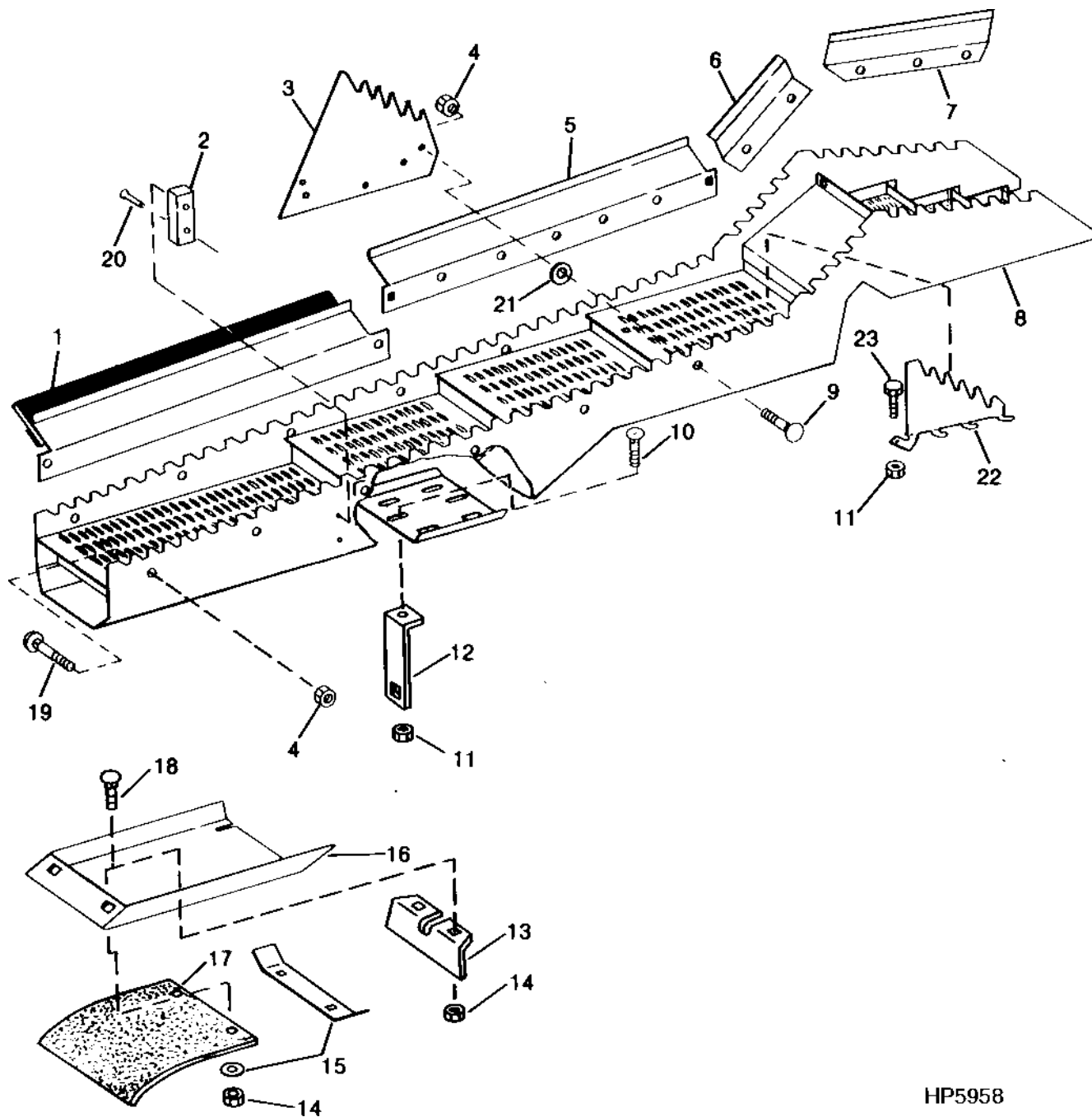
SHAKER PAN - CONTINUED

KEY	PART NO.	PART NAME	QTY	SERIAL NO.	REMARKS
1	14M7275	NUT	5		
2	AH138230	LINK	2		
3	AH125200	BUSHING	6		(SUB AH125969 OR AH125970)
	AH125969	ARM	6		
	AH125970	ARM	6		
4	19M7821	SCREW	2		M12 X 120
5	H175590	SEAL	2		(SUB FOR H133768)
6	24H1299	WASHER	7		3/8" X 1-1/4" X 0.065"
7	14M7298	FLANGE NUT	7		M8
8	03M7184	BOLT	7		M8 X 20
9	H133789	SEAL	1		
10	14M7275	NUT	4		M12
11	19M7819	SCREW	2		M12 X 90
12	AH125970	ARM	1		R.H.
	AH125969	ARM	1		L.H.
13	AH128909	GRAIN PAN	1		

4E5

THRESHING AND SEPARATION

STRAW WALKERS
HP5958 -UN-27APR95



HP5958

4E6

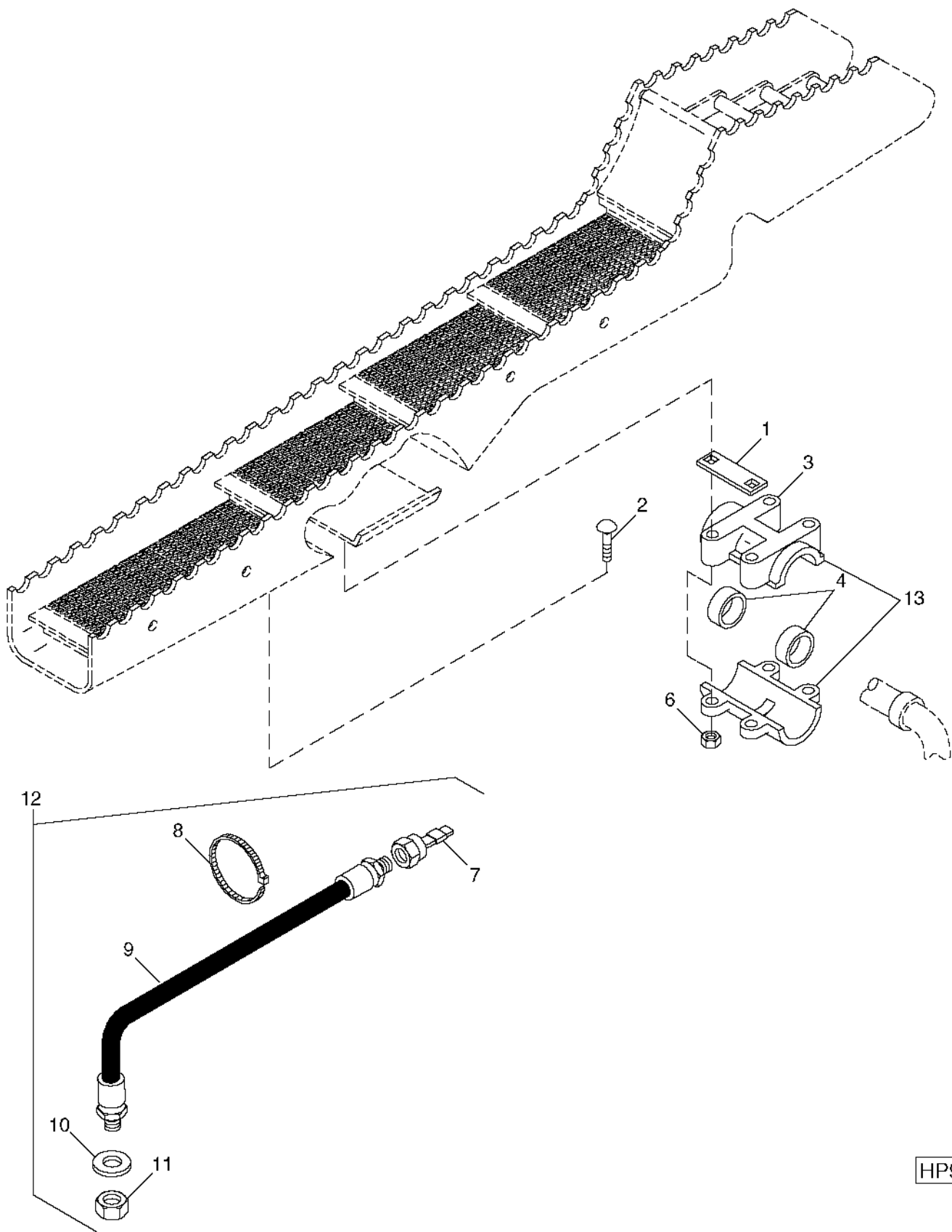
THRESHING AND SEPARATION

STRAW WALKERS - CONTINUED

KEY	PART NO.	PART NAME	QTY	SERIAL NO.	REMARKS
1	AH128736	SEAL	2		(SUB AH162252) OUTSIDE WALKERS ONLY
	AH162252	SEAL	2		OUTSIDE WALKERS ONLY
2	H135923	STRIP	AR		BETWEEN WALKERS ONLY
3	H131516	RISER	1		ONE PER WALKER EXCEPT R.H. OUTSIDE WALKER (GRAIN)
4	14M7303	FLANGE NUT	AR		M6
5	H131604	SEAL	1		OUTSIDE WALKERS ONLY
6	H131608	SEAL	1		OUTSIDE WALKERS ONLY
7	H131607	SEAL	1		OUTSIDE WALKERS ONLY
8	AH135381	STRAW WALKER	4		(ILLUSTRATED) LIP TYPE
	AH140435	STRAW WALKER	4		RECTANGULAR GRID
9	03M7251	BOLT	3		M6 X 12
10	03M7184	BOLT	2		M8 X 20
11	14M7298	FLANGE NUT	1		M8
12	H87268	BRACKET	2		LOSS MONITOR
13	H140414	DEFLECTOR	1		USE WITH CORN CHOPPER TO DEFLECT COBS
14	M84309	NUT	2		7.925 MM, (SUB FOR H131531) RETAINS M8 BOLTS BEFORE INSTALLING EXTENSION PAN
	14M7396	LOCK NUT	2		M8, TO ATTACH EXTENSION PAN OR COB DEFLECTOR
15	H143615	REINFORCEMENT	1		
16	H131661	PAN	1		
17	H140218	FLAP	4		FOR SUNFLOWERS
18	03M7184	BOLT	2		M8 X 20
19	03M7221	BOLT	AR		M6 X 16
20	H85233	RIVET	2		
21	24H1292	WASHER	AR		8.738 X 19.050 X 3.048 MM
22	H141883	RISER	AR		CENTER RISER
	H146639	RISER	AR		CENTER RISER, FOR RECTANGULAR GRID WALKER
23	19M7865	SCREW	1		TO ATTACH CENTER RISER

STRAW WALKER BEARING KIT

(665101-)
HP9646 -UN-28MAR00



HP9646

4E8

THRESHING AND SEPARATION

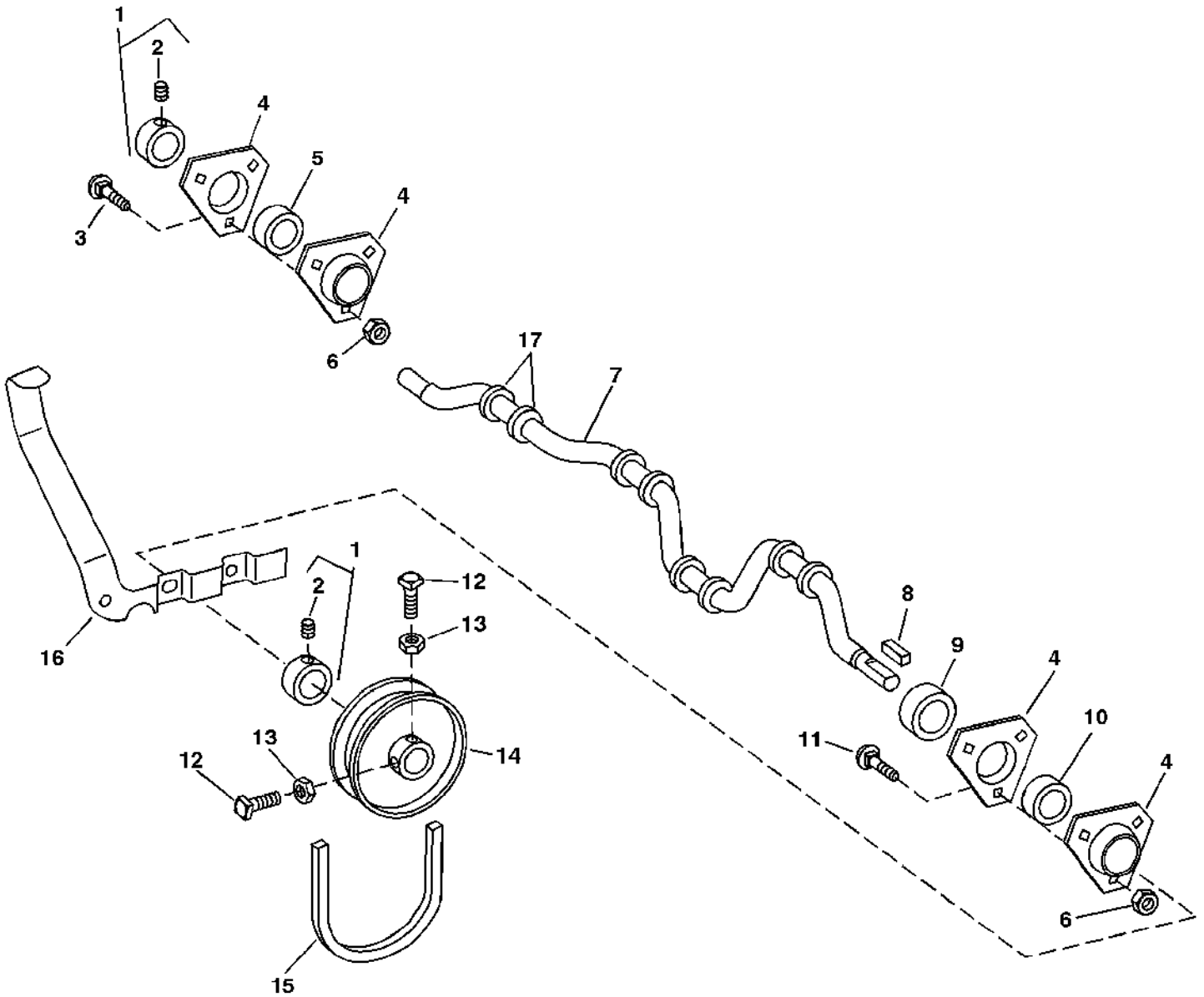
STRAW WALKER BEARING KIT - CONTINUED (665101-)

KEY	PART NO.	PART NAME	QTY	SERIAL NO.	REMARKS
1	H139667	STRAP	2		
2	03M7359	BOLT	4	M10 X 85	
3	H152464	BEARING	1		(SUB AH168158) (USE WITH H152465) UPPER
4	H154216	SEAL	2		
5	H152465	BEARING	1		(SUB AH168158) (USE WITH H152464) LOWER
6	14M7400	LOCK NUT	4	M10	
7	AN71222	ADAPTER	1		STRAIGHT
8	R44302	TIE BAND	10		171 MM (6-3/4")
9	AH144816	HOSE	1		LUBRICATION (FRONT BEARING)
10	24H1307	WASHER	1		10.312 X 25.400 X 1.600 MM
11	E12379	NUT	1		3.175 MM 3.175 MM (1/8")
12	AH145935	KIT	1		LUBE HOSE (FRONT BEARING ILLUSTRATED)
13	AH168158	BEARING	1		

4E9

THRESHING AND SEPARATION

STRAW WALKER CRANKS, STRAW SPREADER DRIVE AND SHIELD
HP6896 -UN-18AUG97



HP6896

4E10

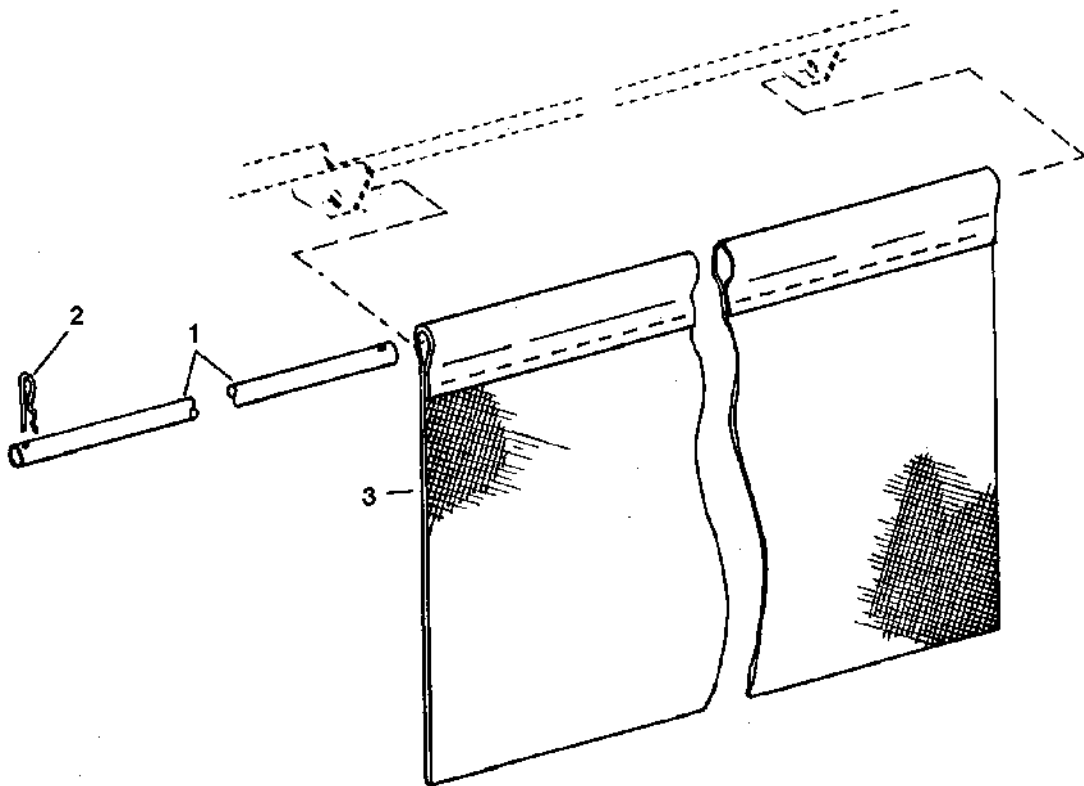
THRESHING AND SEPARATION

STRAW WALKER CRANKS, STRAW SPREADER DRIVE AND SHIELD - CONTINUED

KEY	PART NO.	PART NAME	QTY	SERIAL NO.	REMARKS
1	AH133191	ECCENTRIC LOCKING COLLAR	3		L.H. ON FRONT CRANK AND BOTH ON REAR CRANK
2	22M7081	SET SCREW	3		M10 X 10
3	03M7191	BOLT	12		M10 X 25
4	H103265	PRESSED FLANGED HOUSING	8		
5	AZ19427	BALL BEARING	1		FRONT L.H. ONLY
6	14M7296	FLANGE NUT	6		M10
7	AH145604	SHAFT	1		REAR CRANK ONLY (HEAT TREATED)
	AH151332	CRANKSHAFT	1		FRONT CRANK ONLY(HEAT TREATED)
8	49M4118	SHAFT KEY	1		
9	H135519	SPACER	1		FRONT R.H. ONLY
10	AH132823	BALL BEARING	1		FRONT R.H. ONLY
	JD39104	BALL BEARING	2		REAR CRANK ONLY
11	03M7190	BOLT	1		M10 X 20
12	H138435	SET SCREW	2		
13	14M7274	NUT	2		M10
14	AH114359	SHEAVE	1		STRAW SPREADER DRIVE (L.H. REAR) (I D 1.370)
15	Z33774	BELT	1		STRAW SPREADER DRIVE
16	H140020	GUIDE	1		
17	AH141393	LOCKING COLLAR	8		

4E11

SEPARATOR CURTAIN
(RASP BAR CYLINDER)
HP6897 -UN-18AUG97



HP6897

4E12

THRESHING AND SEPARATION

SEPARATOR CURTAIN - CONTINUED
(RASP BAR CYLINDER)

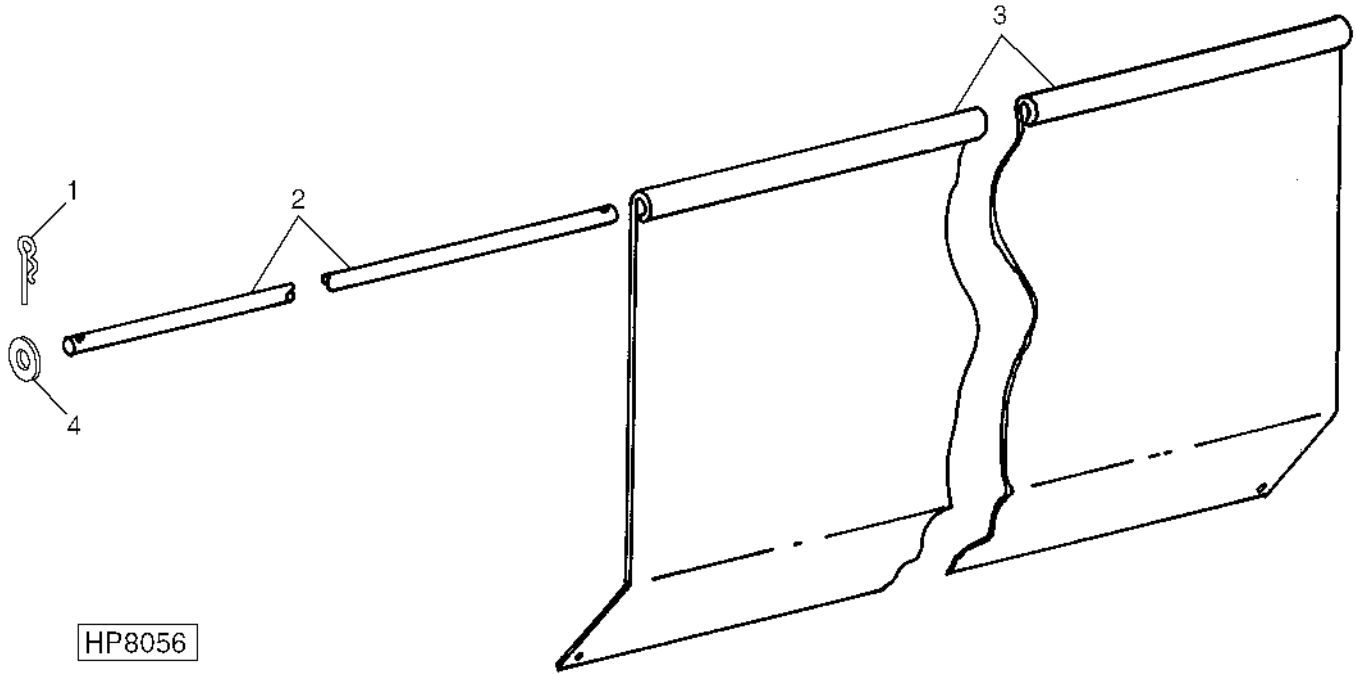
KEY	PART NO.	PART NAME	QTY	SERIAL NO.	REMARKS
1	H144825	PIPE	1		
2	A15147	SPRING LOCKING PIN	2		
3	H144823	LIMIT CURTAIN	1		

4E13

THRESHING AND SEPARATION

**SEPARATOR CURTAIN
(SPIKE-TOOTH CYLINDER)**

HP8056 -UN-30NOV98



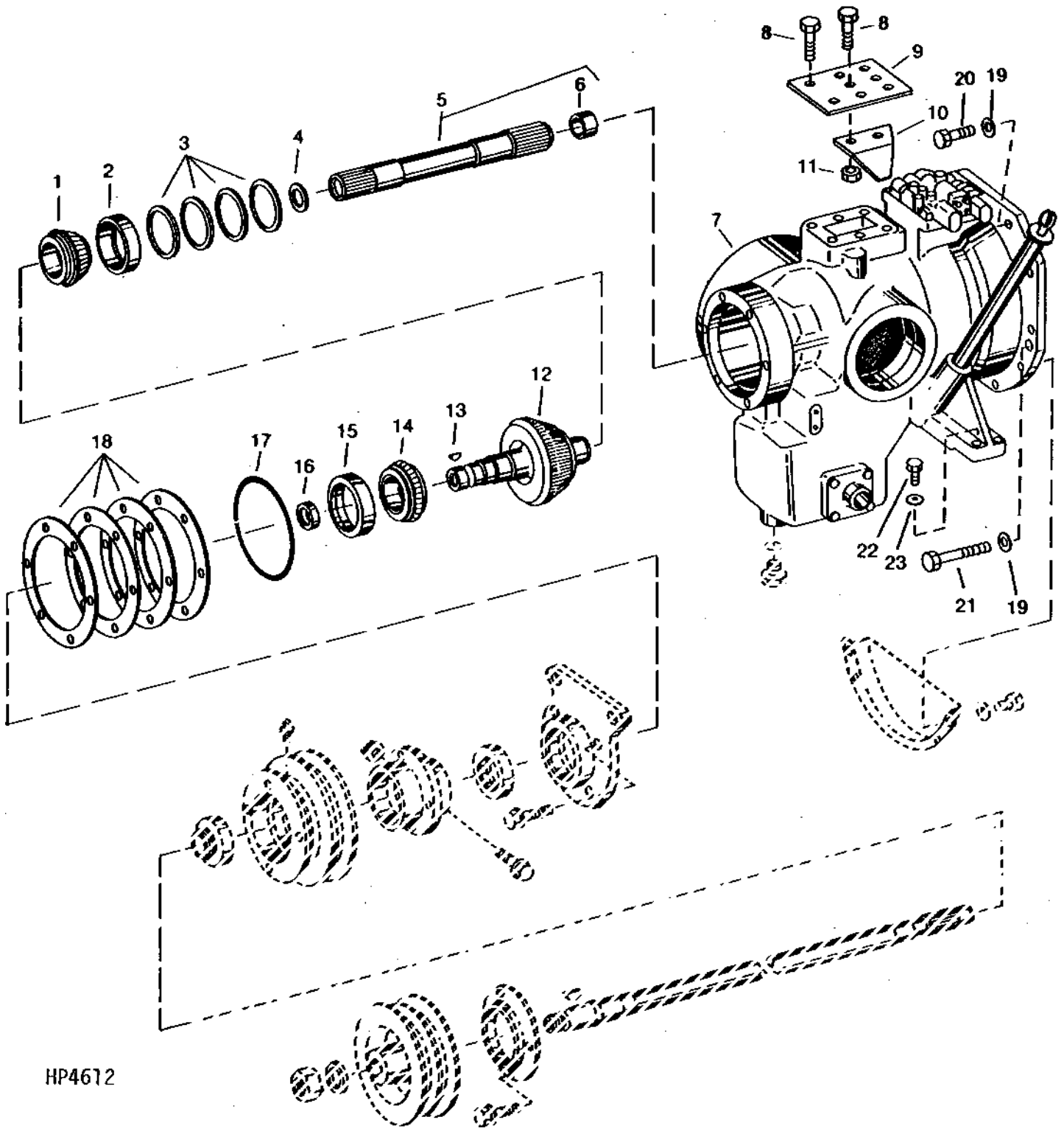
KEY	PART NO.	PART NAME	QTY	SERIAL NO.	REMARKS
1	A15147	SPRING LOCKING PIN	2		
2	H76863	PIN	1	9.525 X 1 426.464 MM	
3	H145516	DEFLECTOR	1	STEEL (FOR GRAIN COMBINES)	
4	T20217	WASHER	2		

MEMORANDA

4E17

DRIVES

ENGINE GEARCASE
(STRAW CHOPPER, UNLOADING AND SEPARATOR DRIVE GEAR)
HP4612 -UN-01JAN94



HP4612

4E18

DRIVES

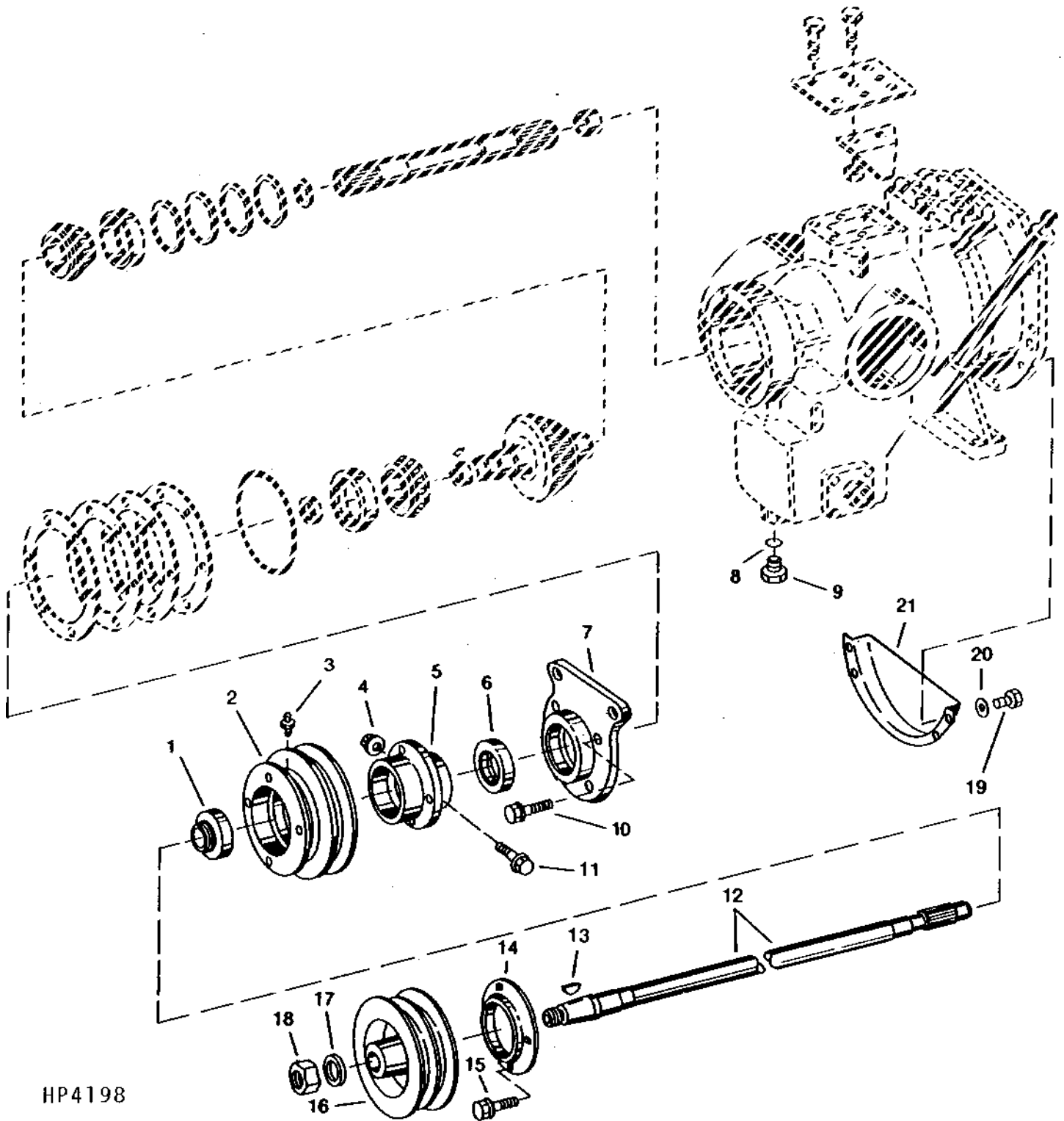
**ENGINE GEARCASE - CONTINUED
(STRAW CHOPPER, UNLOADING AND SEPARATOR DRIVE GEAR)**

KEY	PART NO.	PART NAME	QTY	SERIAL NO.	REMARKS
1	JD9091	BEARING CONE	1		
2	JD9146	BEARING CUP	1		
3	L29041	SHIM	AR	0.08 (MM)	.003 STEEL
	L29042	SHIM	AR	0.13 (MM)	.005 STEEL
	L29043	SHIM	AR	0.25 (MM)	.010 STEEL
	L29044	SHIM	AR	0.05 (MM)	.020 STEEL
4	P46770	SNAP RING	1		
5	AH139118	SHAFT	1		
6	R43305	BUSHING	1		
7	H126587	GEAR CASE	1		
8	19M7866	SCREW	8	M8 X 20	
9	H127159	COVER	1	USE TY15130	
10	H130140	TROUGH	1		
11	14M7396	LOCK NUT	2	M8	
12	BEVEL GEAR DRIVE	1		37 TEETH- SERVICE WITH AH125207
13	26H105	SHAFT KEY	1	3/8" X 2-1/8"	
14	JD37285	RING	1	(SUB FOR JD8162)	
15	JD8206	BEARING CUP	1		
16	AT28975	SEAL	1		
17	H125838	O-RING	1		
18	H125740	SHIM	AR	0.08 (MM)	.003 PLASTIC
	H125741	SHIM	AR	0.13 (MM)	.005 STEEL
	H125742	SHIM	AR	0.25 (MM)	.010 STEEL
	H125743	SHIM	AR	0.50 (MM)	.020 STEEL
19	24M7242	WASHER	4	21.400 X 42 X 5 MM	
20	19H1782	CAP SCREW	2	3/4" X 2-1/4"	
21	19H2000	CAP SCREW	2	3/4" X 5"	
22	19M8162	CAP SCREW	4	M10 X 40	
23	14M7296	FLANGE NUT	4	M10	
..	TY15130	SEALANT	1	SIZE- 3 OZ. RTV (CANADA PART NO TY9484)	
..	AH125207	BEVEL GEAR	1	37 AND 56 TEETH	
..	AH139321	GEAR CASE	1	LESS DIPSTICK	

4E19

DRIVES

ENGINE GEARCASE
(STRAW CHOPPER, UNLOADING AND SEPARATOR DRIVE GEAR)
HP4198 -UN-01JAN94



HP4198

4E20

DRIVES

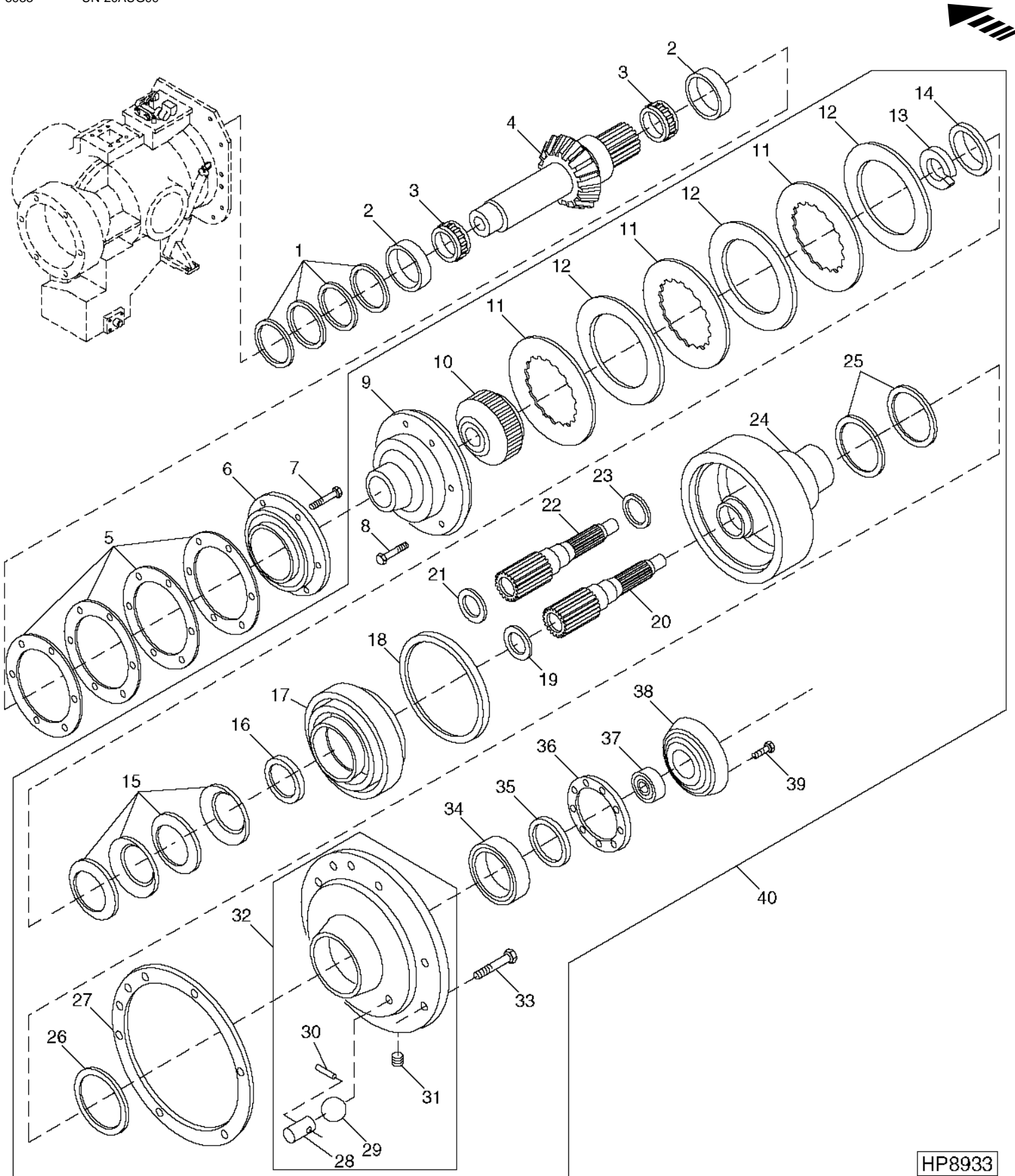
**ENGINE GEARCASE - CONTINUED
STRAW CHOPPER, UNLOADING AND SEPARATOR DRIVE GEAR)**

KEY	PART NO.	PART NAME	QTY	SERIAL NO.	REMARKS
1	AH151653	BALL BEARING	1		
2	H143430	SHEAVE	1		
3	JD7797	LUBRICATION FITTING	1		
4	14M7296	FLANGE NUT	2	M10	
5	H101878	HUB	1		
6	AH117643	SEAL	1		
7	H144834	HOUSING	1		
8	R26906	O-RING	1		
9	R27474	DRAIN PLUG	1		
10	19M7835	SCREW	6	M10 X 35	
11	19M7812	SCREW	2	M10 X 100	
12	H129934	SHAFT	1		
13	26M6787	SHAFT KEY	1	10 X 32 MM	
14	H75385	PRESSED FLANGED HOUSING	1		
15	19M8306	SCREW	4	M12 X 50	
16	H129935	SHEAVE	1		
17	24H1481	WASHER	1	1-5/32" X 2" X 0.134"	
18	H82619	LOCK NUT	1		
19	19M7866	SCREW	1	M8 X 20	
20	24M7055	WASHER	4	8.400 X 16 X 1.600 MM	
21	H134385	COVER	1		
..	TY15130	SEALANT	1	SIZE - 3 OZ. RTV (CANADA PART NO. TY9484)	
..	AH121216	BEVEL GEAR	1	34 AND 56 TEETH	
..	AH139321	GEAR CASE	1		

4E21

DRIVES

ENGINE GEARCASE
(SEPARATOR DRIVE, WET-CLUTCH AND PUMP DRIVE SHAFT)
HP8933 -UN-20AUG99



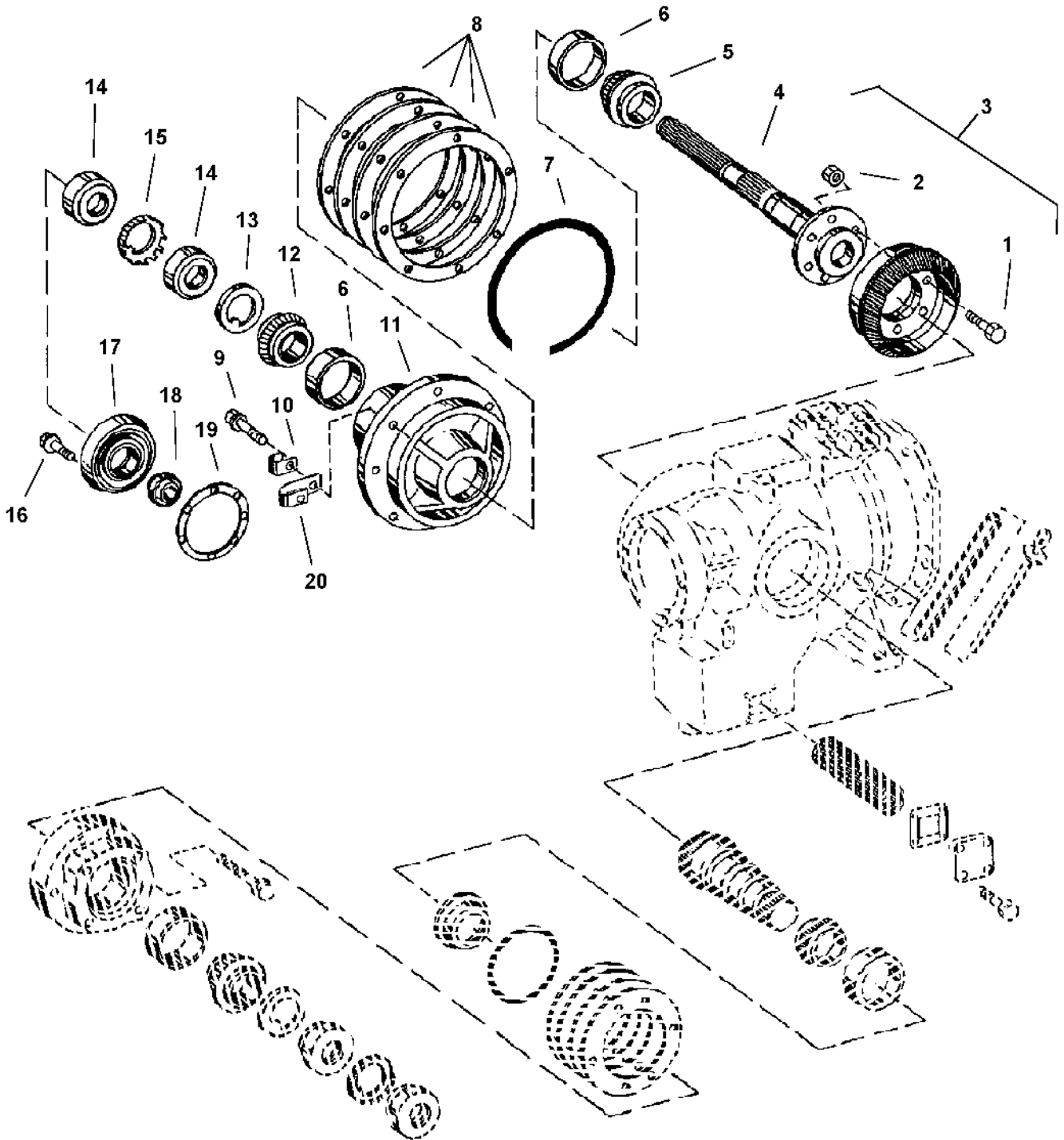
HP8933

ENGINE GEARCASE - CONTINUED
(SEPARATOR DRIVE, WET-CLUTCH AND PUMP DRIVE SHAFT)

KEY	PART NO.	PART NAME	QTY	SERIAL NO.	REMARKS
1	H119028	SHIM	AR	0.08 (MM) .003 PLASTIC	
	H119029	SHIM	AR	0.13 (MM) .005 STEEL	
	H119030	SHIM	AR	0.25 (MM) .010 STEEL	
	H119031	SHIM	AR	0.50 (MM) .020 STEEL	
2	JD8206	BEARING CUP	2		
3	JD37285	RING	2		(SUB FOR JD8162)
4	GEAR	1		33 TEETH- SERVICE IN AH125293
5	H125740	SHIM	AR	0.08 (MM) .003 PLASTIC	
	H125741	SHIM	AR	0.13 (MM) .005 STEEL	
	H125742	SHIM	AR	0.25 (MM) .010 STEEL	
	H125743	SHIM	AR	0.50 (MM) .020 STEEL	
6	H125733	HOUSING	1		
7	19M7835	SCREW	6	M10 X 35	
8	19M7786	SCREW	6	M10 X 30	
9	H144761	HUB	1		(USE WITH 2 CLUTCH DISK)
	H144762	HUB	1		(USE WITH 3 CLUTCH DISK)
10	DE19018	HUB	1		(SUB FOR AH138660)
11	AH125490	CLUTCH DISK	3		
12	T70309	PLATE	3		
13	T50409	SNAP RING	1		
14	T49676	RETAINER	1		
15	T50415	DISK SPRING	4		
16	T62508	WASHER	1		
17	H128937	PISTON	1		
18	T62509	WASHER	1		
19	H132400	PISTON RING	1		G.B. S/N CEGB 111860
20	H148768	SHAFT	1		G.B. S/N CEGB 111860
21	40M7090	SNAP RING	1		G.B. S/N CEGB 111861
22	CE18180	DRIVE SHAFT	1		G.B. S/N CEGB 111861
23	CE17940	SNAP RING	1		G.B. S/N CEGB 111861
24	CE18181	DRUM	1		(ORDER CE18180, T14323 AND 40M7090) (SUB FOR H143426) (G.B. S/N CEGB 111861)
25	R77764	RING	2		
26	R76937	WASHER	1		
27	H125354	GASKET	1		
28	R68824	SEAT	1		
29	400R	BALL	1		
30	H111474	PIN	1		
31	15H559	PIPE PLUG	1		USE TY9374
32	AH120737	HOUSING	1		INCLUDES KEYS 25 THROUGH 28
33	19M7835	SCREW	6	M10 X 35	
34	JD8676	BALL BEARING	1		
35	A1402R	SNAP RING	1		UP TO GEARBOX S/N - CEGB 100000 TO 111860
	T14323	SNAP RING	1		GEARBOX S/N CEGB 111861 - AND UP
36	H125356	GASKET	1		
37	AH158595	SEAL	1		(SUB FOR AH142870)
38	H148769	HOUSING	1		
39	19M7863	SCREW	8	M6 X 25	
40	DE18923	CLUTCH	1		
..	TY9374	SEALANT	1		SIZE- 6 ML
..	AH134862	GEAR CASE	1		LESS DIPSTICK
..	AH125293	GEAR	1		

4E23

ENGINE GEARCASE (SEPARATOR AND PUMP DRIVE) HP7244 -UN-07NOV97



HP7244

4E24

DRIVES

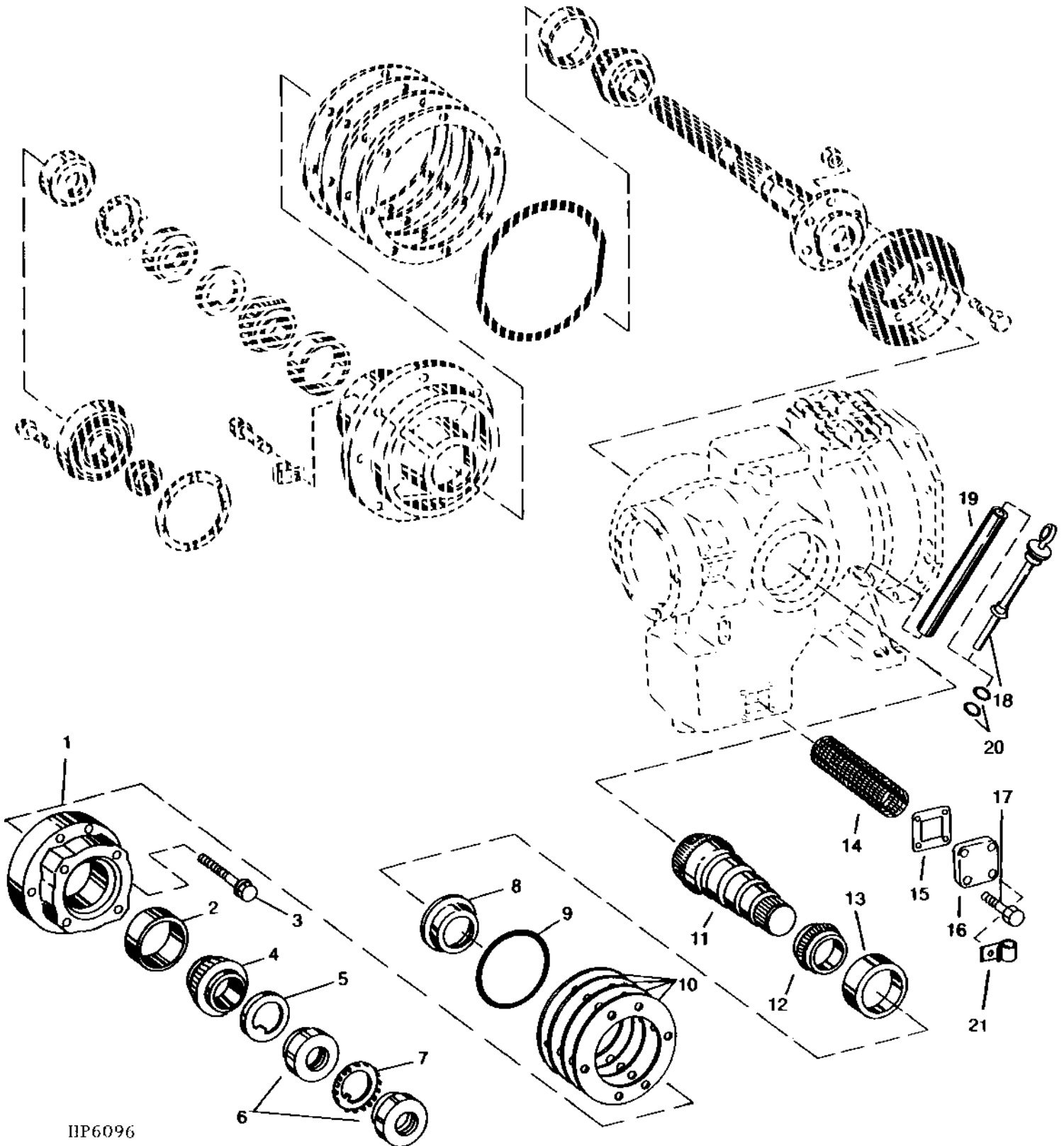
**ENGINE GEARCASE - CONTINUED
(SEPARATOR AND PUMP DRIVE)**

KEY	PART NO.	PART NAME	QTY	SERIAL NO.	REMARKS
1	H110178	SCREW	6		USE TY9371
2	14M7274	NUT	6		M10
3	GEAR	1		56 TEETH, (ORDER AH125207)
4	H148770	HUB	1		
5	JD8162	BEARING CONE	1		
6	JD8206	BEARING CUP	2		
7	H125839	O-RING	1		
8	H125841	SHIM	AR		0.08 (MM) .003 PLASTIC
	H125842	SHIM	AR		0.13 (MM) .005 STEEL
	H125843	SHIM	AR		0.25 (MM) .010 STEEL
	H125844	SHIM	AR		0.50 (MM) .020 STEEL
9	19M7835	SCREW	7		M10 X 35
10	AH90990	CLIP	1		
11	H125840	HOUSING	1		
12	JD9007	BEARING CONE	1		
13	H110800	LOCK WASHER	1		
14	H122650	LOCK NUT	2		
15	H110801	LOCK WASHER	1		
16	19M7863	SCREW	8		M6 X 25
17	H148769	HOUSING	1		(SUB H148769)
18	AH142870	SEAL	1		-5OCT98
	AH158595	SEAL	1	50CT98-	
19	H125356	GASKET	1		
20	AH117301	CLAMP	1		

4F1

DRIVES

ENGINE GEARCASE
(SEPARATOR AND PUMP DRIVE)
HP6096 -UN-28JUN95



HP6096

4F2

DRIVES

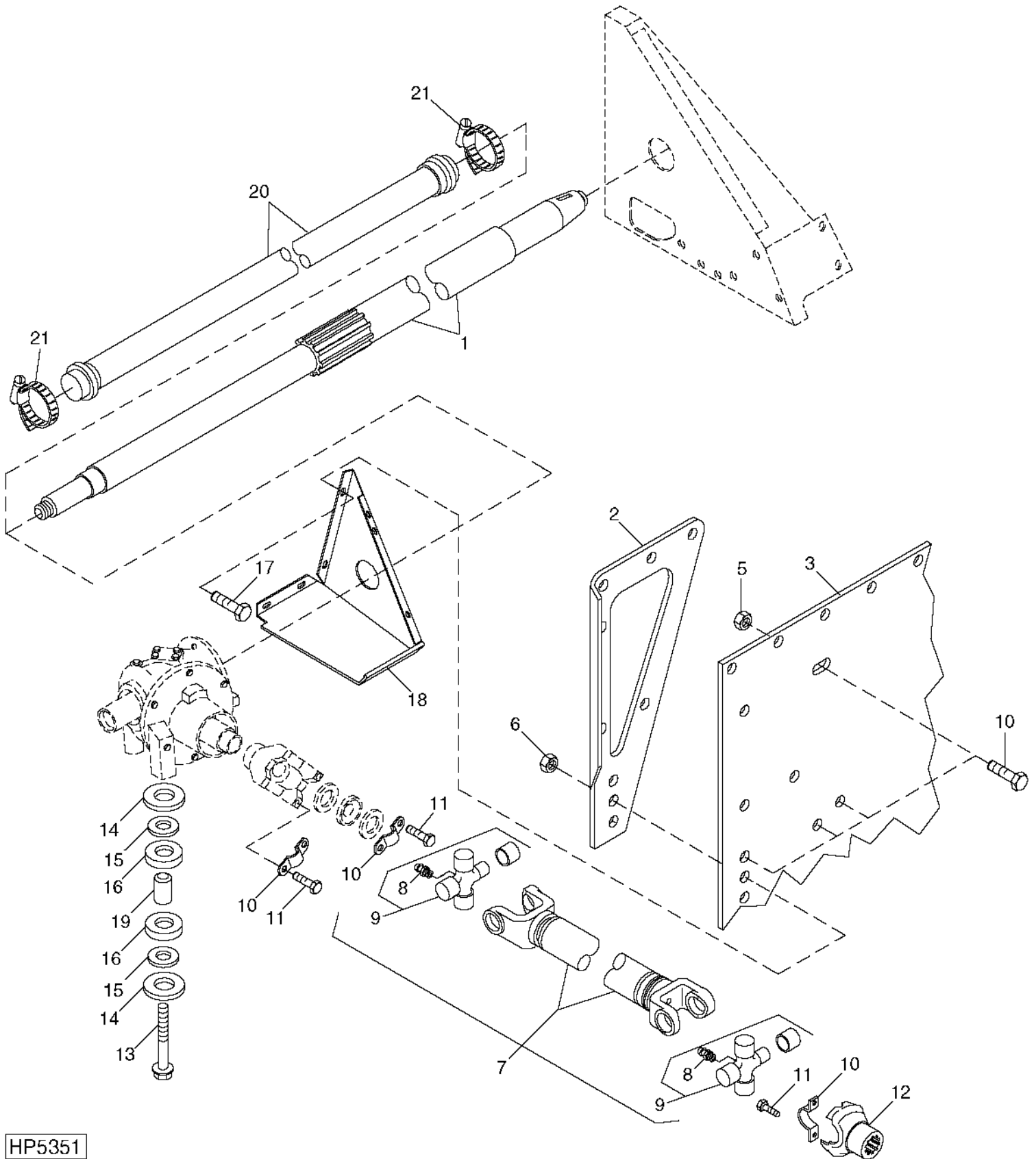
**ENGINE GEARCASE - CONTINUED
(SEPARATOR AND PUMP DRIVE)**

KEY	PART NO.	PART NAME	QTY	SERIAL NO.	REMARKS
1	H125738	HOUSING	1		
2	JD8206	BEARING CUP	1		
3	19M7805	SCREW	5	M10 X 45	
4	JD9007	BEARING CONE	1		
5	H110800	LOCK WASHER	1		
6	H122650	LOCK NUT	2		
7	H110801	LOCK WASHER	1		
8	H125837	OIL CUP	1		
9	R72032	O-RING	1		
10	H125734	SHIM	AR	0.08 (MM) .003 PLASTIC	
	H125735	SHIM	AR	0.13 (MM) .005 STEEL	
	H125736	SHIM	AR	0.25 (MM) .010 STEEL	
	H125737	SHIM	AR	0.50 (MM) .020 STEEL	
11	GEAR	1	24 TEETH (ORDER AH125293)	
12	JD9075	BEARING CONE	1		
13	JD9132	BEARING CUP	1		
14	R53169	SCREEN	1		
15	H126792	GASKET	1		
16	H126793	COVER	1		
17	19M7868	SCREW	4	M8 X 30	
18	AH168683	DIPSTICK	1	(SUB FOR AH137310)	
19	H132995	TUBE	1	USE TY9371	
20	A4730R	O-RING	2		
21	AH90990	CLIP	1		
..	TY9371	ADHESIVE	1	6 ML HIGH STRENGTH	
..	AH121216	BEVEL GEAR	1		
..	AH125295	GEAR	1	(SUB FOR AH120206)	
..	AH139321	GEAR CASE	1	(SUB FOR AH134861) LESS DIPSTICK	

4F3

DRIVES

DRIVE SHAFT, GEARCASE MOUNTING AND PRIMARY COUNTERSHAFT
HP5351 -UN-17AUG99



HP5351

4F4

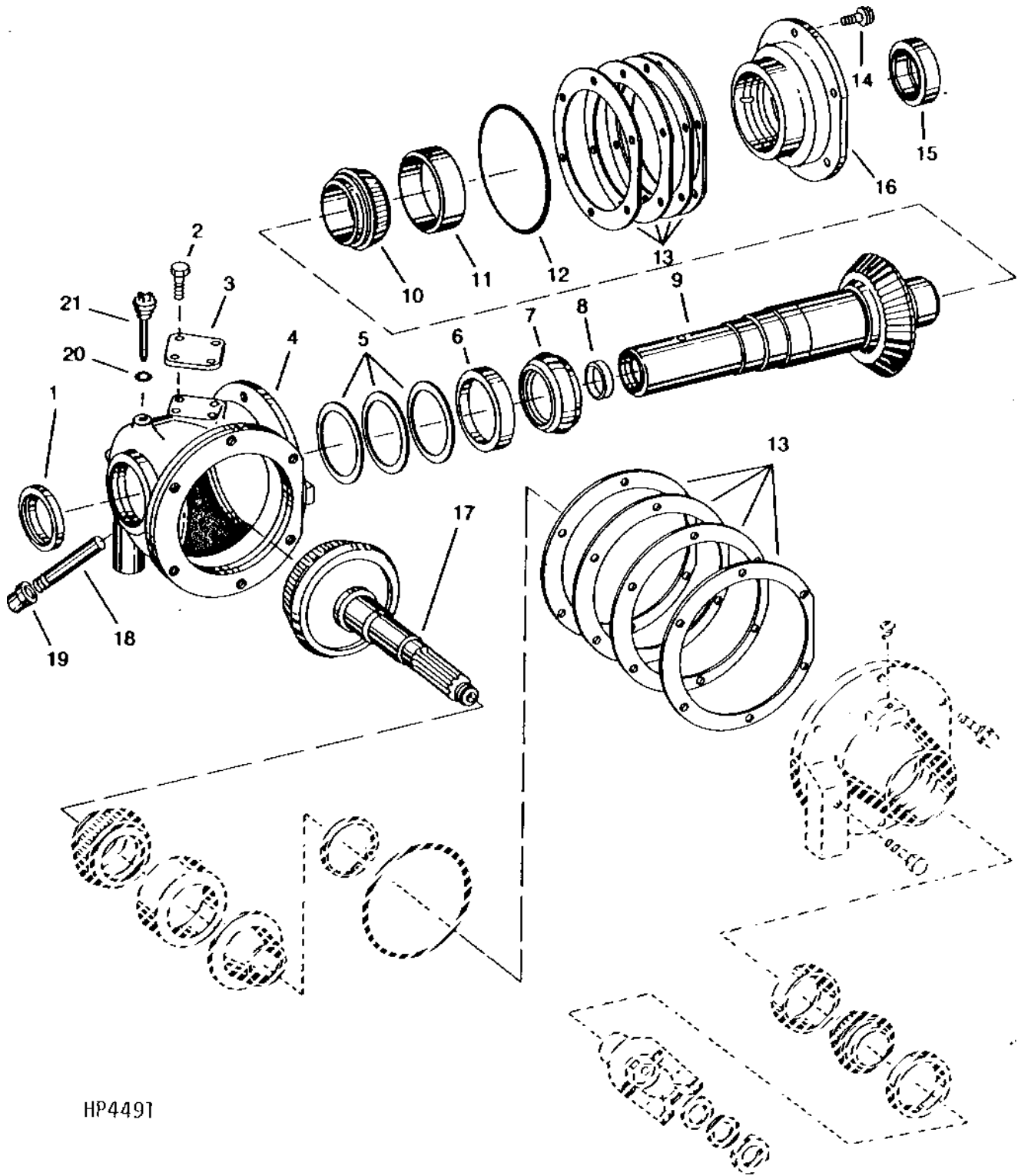
DRIVES

DRIVE SHAFT, GEARCASE MOUNTING AND PRIMARY COUNTERSHAFT - CONTINUED

KEY	PART NO.	PART NAME	QTY	SERIAL NO.	REMARKS
1	H147483	SHAFT	1		
2	H131228	ANGLE	1		
3	H147911	SHEET	1		
4	19M7866	SCREW	4	M8 X 20	
5	14M7298	FLANGE NUT	4	M8	
6	14M7296	FLANGE NUT	5	M10	
7	AH125688	DRIVE SHAFT	1		
8	JD7797	LUBRICATION FITTING	2		
9	AH122018	UNIVERSAL JOINT	2		
10	R85168	CLAMP	4		
11	R85169	SELF-LOCKING SCREW	8		
12	H121681	YOKE	1		
13	19M7827	SCREW	2	M16 X 80	
14	H163726	WASHER	4		
15	H148132	BUSHING	4		
16	H148133	RETAINER	4		
17	19M7785	SCREW	5	M10 X 25	
18	AH135565	SHEET	1		
19	H148134	SPACER	2		
20	AH163802	KIT	1	(SUB FOR AH141389) INCLUDES (2) TY22494 CLAMPS	
21	TY22494	HOSE CLAMP	2		

4F5

PRIMARY COUNTERSHAFT GEARCASE
HP4491 -UN-01JAN94



HP4491

4F6

DRIVES

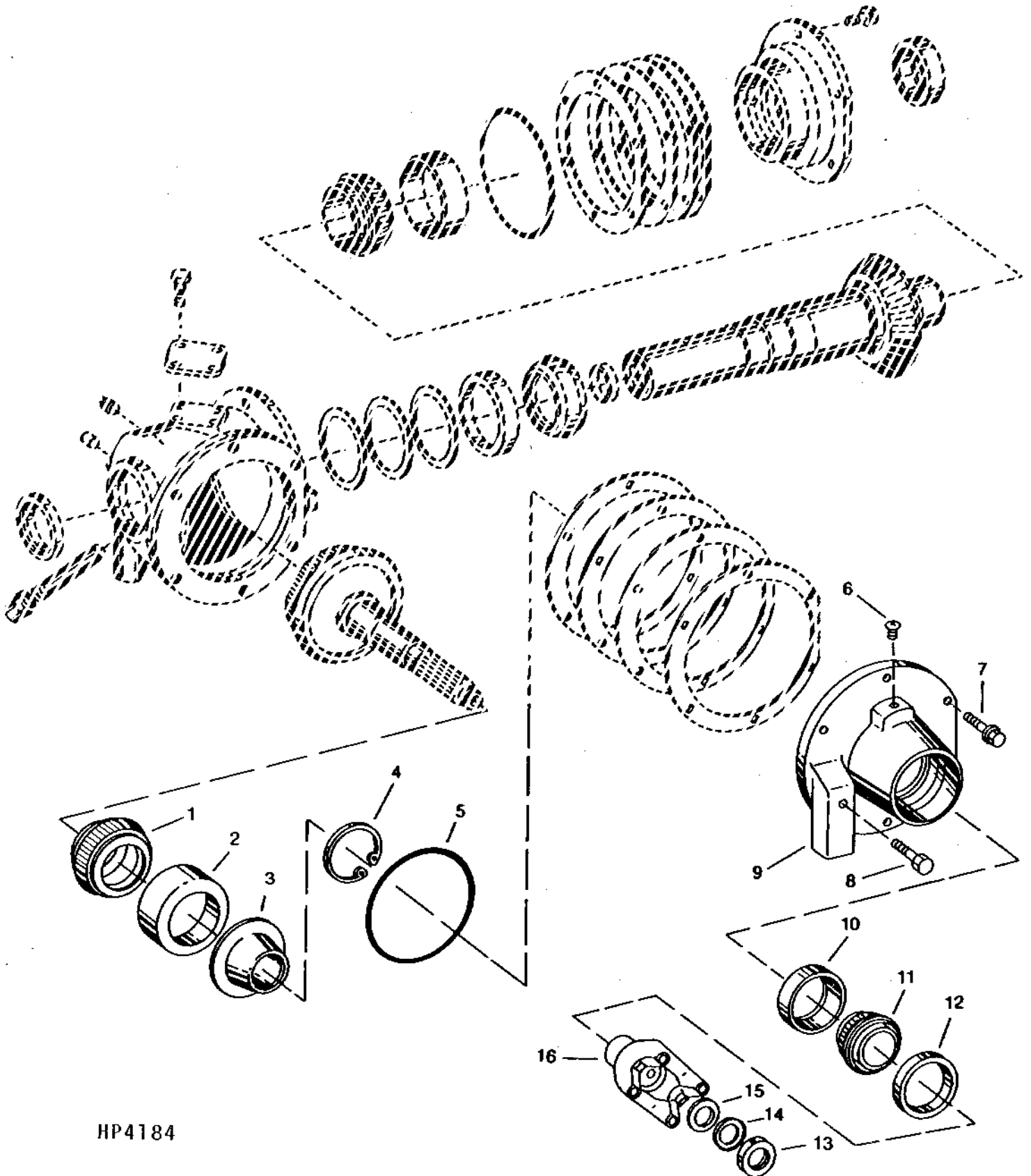
PRIMARY COUNTERSHAFT GEARCASE - CONTINUED

KEY	PART NO.	PART NAME	QTY	SERIAL NO.	REMARKS
1	AH137772	SEAL	1		
2	19M7866	SCREW	4	M8 X 20	
3	H75267	COVER	1		
4	H145001	GEAR CASE	1		DIM. 0.050 MM (0.002 IN.) THICK
5	AT146272	SHIM	1		0.254 MM (0.0100 IN.) THICK
6	JD8210	BEARING CUP	1		
7	JD8164	BEARING CONE	1		
8	T69027	SEAL	1		
9	GEAR	1		GEARS, 41 - TOOTH, SUB AH125243 FOR SERVICE
10	JD7378	BEARING CONE	1		
11	JD7292	BEARING CUP	1		
12	H125838	O-RING	1		177.165 X 5.334 MM (6.975" X 0.210")
13	H114226	SHIM	2		0.080 MM (0.003") USE ONLY ONE PER SIDE
	H114227	SHIM	4		0.130 MM (0.005") USE AS REQUIRED
	H114228	SHIM	2		0.250 MM (0.010") USE AS REQUIRED
	H118927	SHIM	8		0.500 MM (0.020") USE AS REQUIRED
14	19M7786	SCREW	6	M10 X 30	
15	E56866	SEAL	1		
16	H126564	HOUSING	1		
17	GEAR	1		GEARS, 41 - TOOTH, SUB AH125243 FOR SERVICE
	AH125243	GEAR	1		GEARS, MATCHED SET WITH SHAFT
18	29H217	THREADED NIPPLE	1	1/2"	
19	15H3	FITTING	1	1/2"	
20	R26375	O-RING	1		
21	AH141022	DIPSTICK	1		
..	T43512	SEALANT	1		MEDIUM STRENGTH - 50 ML, CANADA NO. TY9477
..	H116160	SEALANT	1		6 ML, (3 OZ.), TUBE
..	TY15130	SEALANT	1		6 ML, (3 OZ.) CANADA NO. TY9484
..	AH141049	GEAR CASE	1		
..	25M3827	GROOVE PIN	2		INSERT THROUGH SERIAL NUMBER PLATE AND INTO GEAR CASE

4F7

DRIVES

PRIMARY COUNTERSHAFT GEARCASE
HP4184 -UN-01JAN94



HP4184

4F8

DRIVES

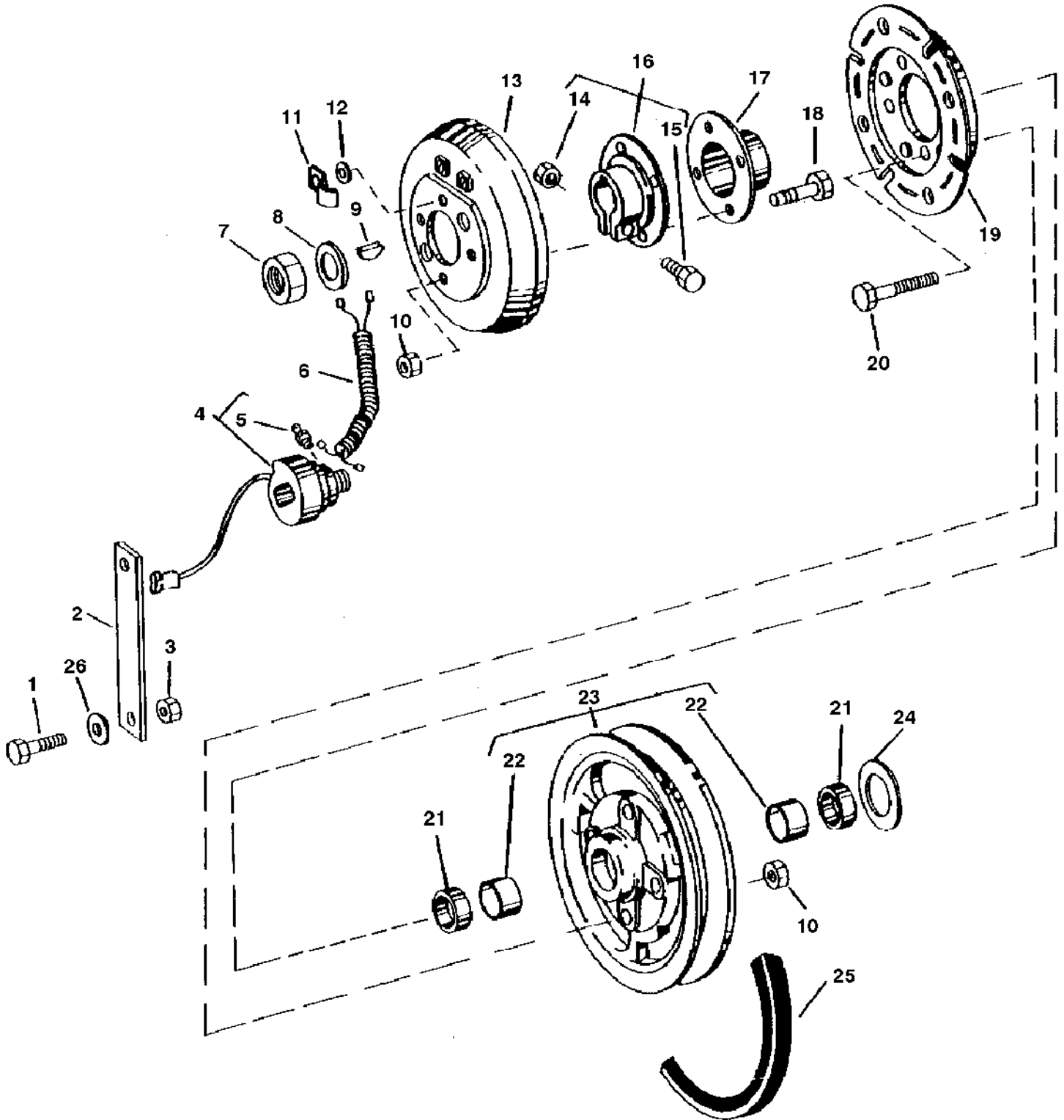
PRIMARY COUNTERSHAFT GEARCASE - CONTINUED

KEY	PART NO.	PART NAME	QTY	SERIAL NO.	REMARKS
1	JD9078	BEARING CONE	1		
2	JD8255	BEARING CUP	1		
3	H129844	RETAINER	1		
4	T41201	SNAP RING	1	-14SE98	
5	H125838	O-RING	1		
6	U14273	BREATHER	1		
7	19M7786	SCREW	5		M10 X 30
8	19M7807	SCREW	1		M10 X 60
9	H144122	HOUSING	1	-14SE98	
	CE18400	HOUSING	1	14SE98-	
10	JD7418	BEARING CUP	1		
11	JD7395	BEARING CONE	1		
12	AH137771	SEAL	1		
13	N139123	NUT	1		
14	H118920	LOCK WASHER	1		
15	H118919	LOCK WASHER	1		
16	H121681	YOKE	1		
..	AH125243	GEAR	1		GEARS, MATCHED SET WITH SHAFT
..	T43512	SEALANT	1		MEDIUM STRENGTH - 50 ML, CANADA NO. TY9477
..	H116160	SEALANT	1		6 ML, 3 OZ. TUBE
..	TY15130	SEALANT	1		3 OZ. ,CANADA NO. TY9484
..	AH141049	GEAR CASE	1		

4F9

DRIVES

HEADER ELECTROMAGNETIC CLUTCH
HP6898 -UN-18AUG97



HP6898

4F10

DRIVES

HEADER ELECTROMAGNETIC CLUTCH - CONTINUED

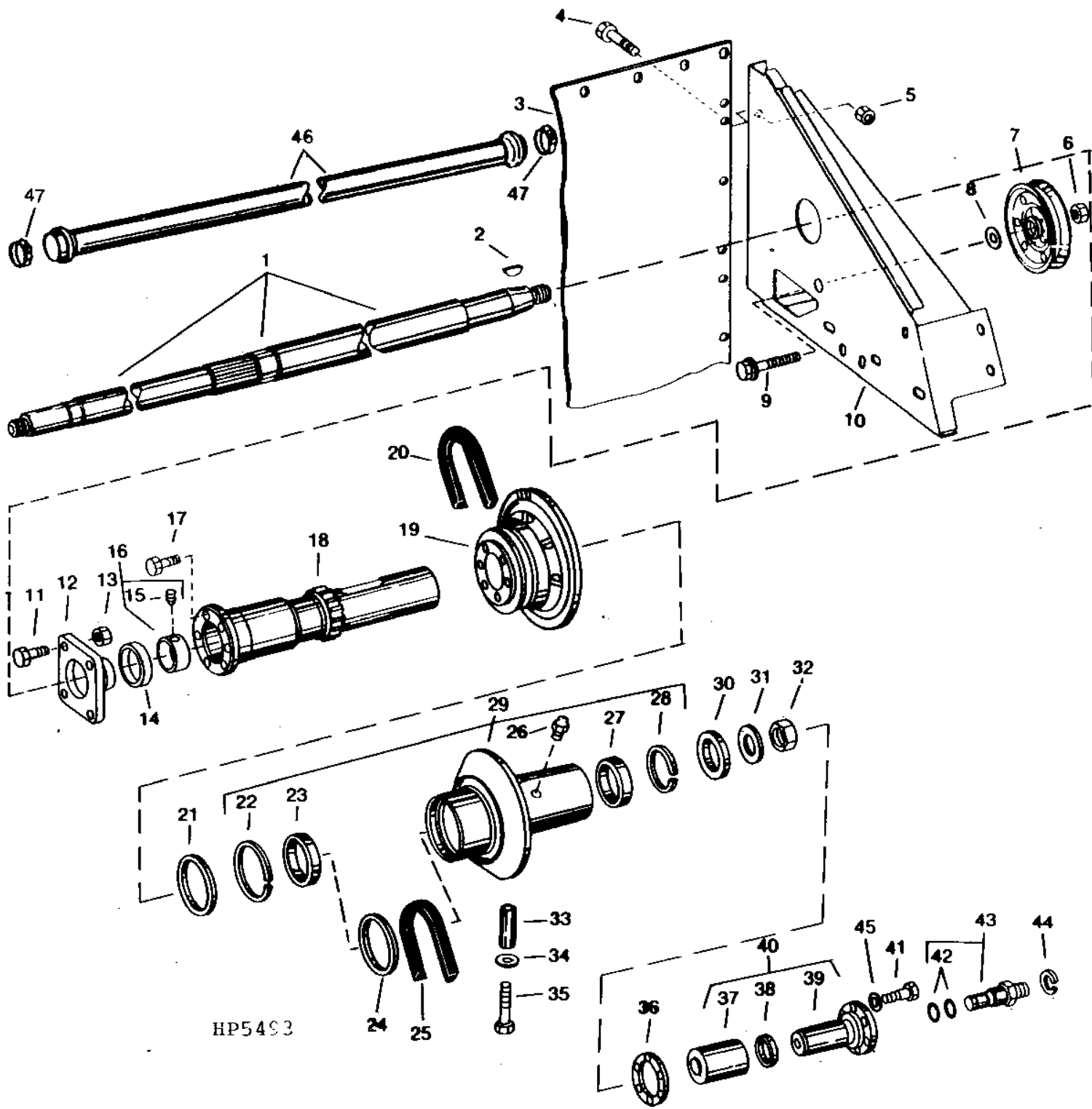
KEY	PART NO.	PART NAME	QTY	SERIAL NO.	REMARKS
1	19M7775	SCREW	1		M6 X 16
2	H134773	STRAP	1		
3	14M7303	FLANGE NUT	1		M6
4	AH130582	DEVICE	1	-15NO99	
	AH162068	KIT	1	16NO99-	
5	JD7797	LUBRICATION FITTING	1		
6	AH134207	WIRING HARNESS	1		
7	H82620	LOCK NUT	1		
8	24H1668	WASHER	1		1-17/64" X 2-1/4" X 0.134"
9	26H105	SHAFT KEY	1		
10	14M7299	FLANGE NUT	8		M12
11	AH77279	CLIP	1		
12	24H1789	WASHER	1		17/32" X 1-1/4" X 0.105"
13	AH121658	FIELD WINDING COIL	1		
14	14M7296	FLANGE NUT	1		M10
15	19M8292	SCREW	1		M10 X 50
16	AH136052	HUB	1		
17	H129676	RING	1		
18	19M7790	SCREW	4		M12 X 35
19	AH96244	ARMATURE	1		
20	19M8306	SCREW	4		M12 X 50
21	AB5070R	SEAL	2		
22	H126716	BUSHING	2		
23	AH139936	SHEAVE	1		USE WITH SLOW SPEED CYLINDER DRIVE
24	H126715	WASHER	1		
25	H151952	BELT	1		
26	24M7207	WASHER	1		

4F11

DRIVES

PRIMARY COUNTERSHAFT, SUPPORTS AND VARIABLE SHEAVE, REG. AND EXTENDED RANGE

HP5493 -UN-01JAN94



HP5493

4F12

DRIVES

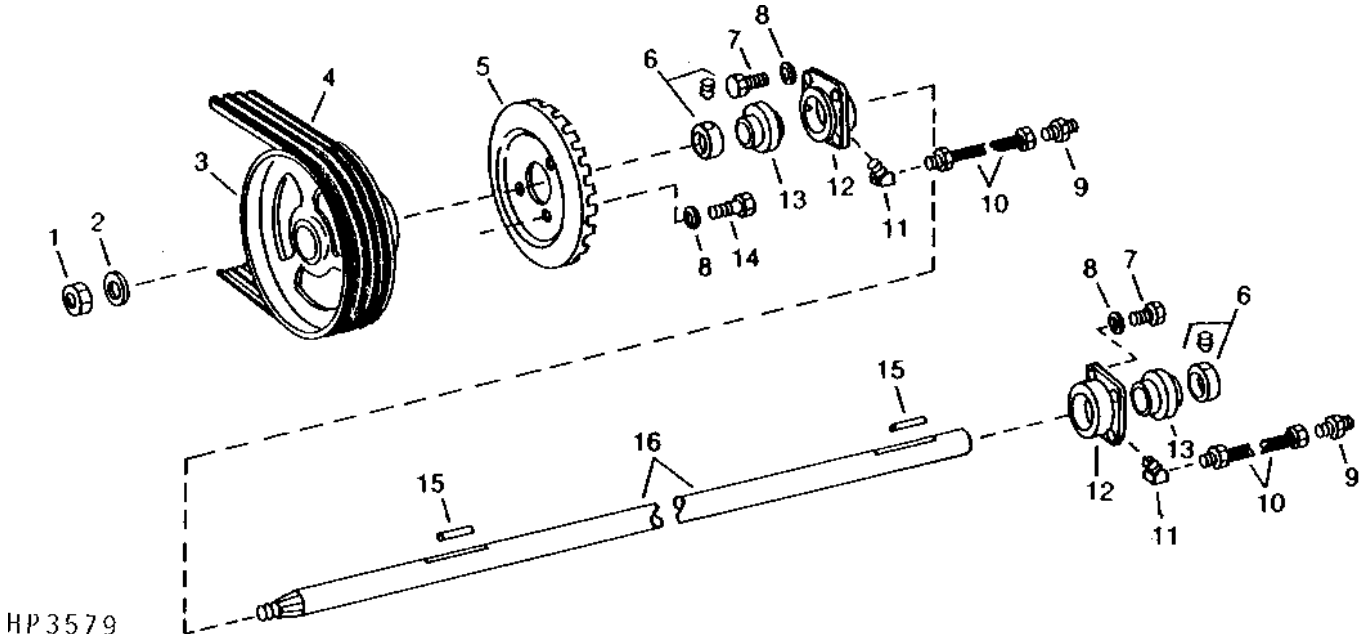
PRIMARY COUNTERSHAFT, SUPPORTS AND VARIABLE SHEAVE, REG. AND EXTENDED RANGE - CONTINUED

KEY	PART NO.	PART NAME	QTY	SERIAL NO.	REMARKS
1	H147483	SHAFT	1	(SUB FOR H127189)	
2	26H114	SHAFT KEY	1	1/2" X 2-3/4"	
3	H147911	SHEET	1		
4	19M7866	SCREW	AR	M8 X 20	
5	14M7298	FLANGE NUT	AR	M8	
6	14M7291	FLANGE NUT	1	M16	
7	AH97031	IDLER	1		
8	24M7053	WASHER	AR	17 X 30 X 3 MM	
9	19M7824	SCREW	1	M16 X 60	
10	AH135077	SHEET	1	USED WITH SINGLE RANGE ONLY	
	AH135296	SHEET	1	USED WITH EXTENDED SINGLE RANGE ONLY	
11	19M7786	SCREW	4	M10 X 30	
12	H115930	BEARING HOUSING W/O BEARING	1	USED WITH SINGLE RANGE ONLY	
	H133618	BEARING HOUSING W/O BEARING	1	USE WITH EXTENDED SINGLE RANGE CYLINDER DRIVE	
13	14M7296	FLANGE NUT	4	M10	
14	JD8669	BALL BEARING	1	(5" DIA.)	
	JD10017	BALL BEARING	1	USE WITH EXTENDED SINGLE RANGE CYLINDER DRIVE (5.118" DIA.)	
15	22H821	SET SCREW	1	1/2" X 1/2"	
16	JD8668	ECCENTRIC LOCKING COLLAR	1		
17	19M7835	SCREW	6	M10 X 35	
	19M7786	SCREW	6	M10 X 30, (FOR EXTENDED RANGE)	
18	H127196	HOUSING	1		
	H129879	HOUSING	1	(FOR EXTENDED RANGE)	
19	H115755	HALF SHEAVE	1		
	H137583	SHEAVE	1	(FOR EXTENDED RANGE)	
20	H128010	BELT	1	PRIMARY TO SECONDARY COUNTERSHAFT DRIVE	
21	AH94853	SEAL	1		
22	H93631	SNAP RING	1		
23	H93630	BUSHING	1		
24	H118617	BUMPER	1	USED FOR SLOW SPEED CYLINDER DRIVE ONLY	
25	H115759	BELT	1	PRIMARY TO INTERMEDIATE CYLINDER DRIVE, (SUB H162629)	
	H162629	BELT	1		
	H137670	BELT	1	(FOR EXTENDED RANGE)	
26	JD7798	LUBRICATION FITTING	2		
27	H148131	BUSHING	1		
28	P48691	SNAP RING	1		
29	AH141820	HALF SHEAVE	1		
	AH141821	HALF SHEAVE	1	(FOR EXTENDED RANGE)	
30	AH87141	SEAL	1		
31	24H1668	WASHER	1	1-17/64" X 2-1/4" X 0.134"	
32	H82620	LOCK NUT	1		
33	H110237	PIN	1		
34	24M7178	WASHER	2	10.500 X 30 X 2.500 MM	
35	19M7784	SCREW	2	M10 X 20	
36	H102533	SHIM	AR	0.762 MM (0.030")	
37	BARREL	1	(SUB AH125193)	
38	H97306	SEAL	1		
39	PISTON	1	(SUB AH125193)	
40	AH125193	CYLINDER	1		
	AH133974	CYLINDER	1	(FOR EXTENDED RANGE)	
41	19H1732	CAP SCREW	6	3/8" X 1-1/4"	
42	R27564	O-RING	2		
43	AH139238	UNION FITTING	1		
44	H135292	SNAP RING	1		
45	12H304	LOCK WASHER	6	3/8"	
46	AH141389	KIT	1	(INCLUDES (2) TY22494)	
47	TY22494	HOSE CLAMP	2		

4F13

SINGLE RANGE CYLINDER DRIVE

HP3579 -UN-01JAN94



4F14

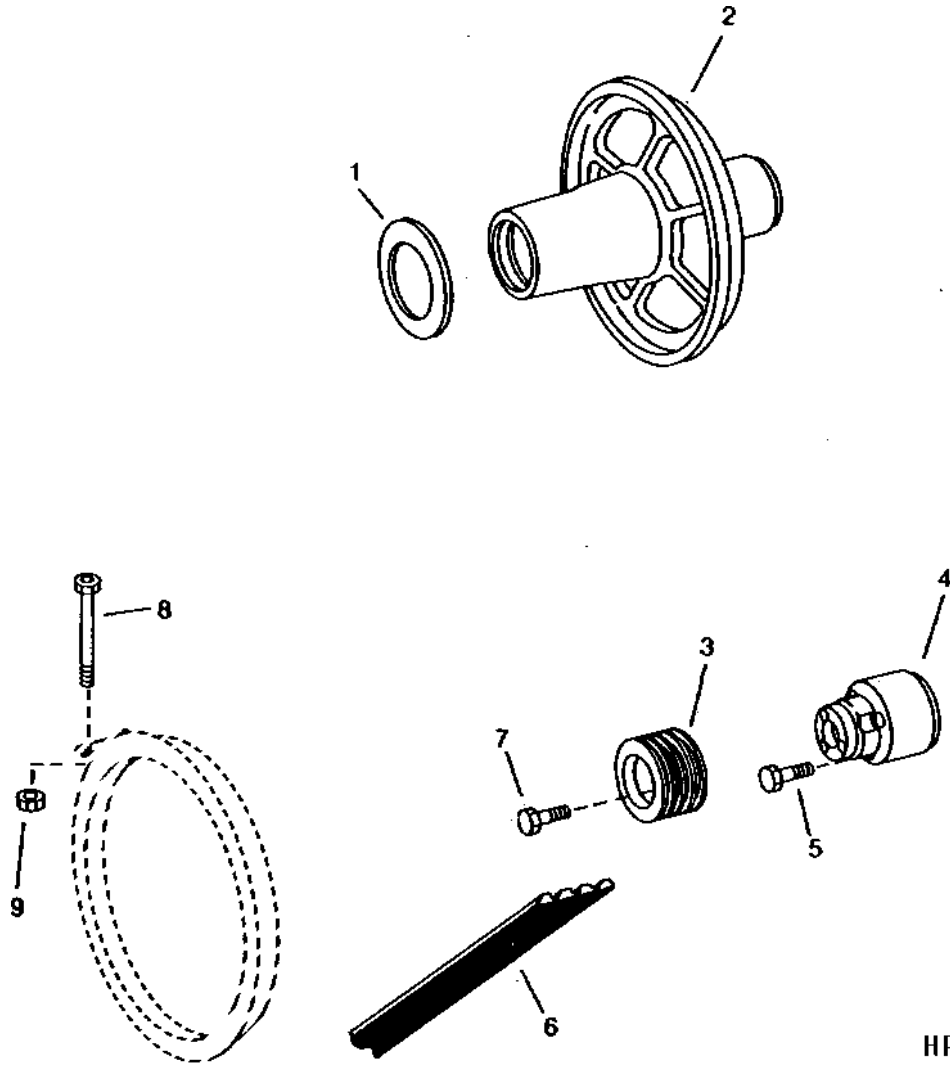
DRIVES

SINGLE RANGE CYLINDER DRIVE - CONTINUED

KEY	PART NO.	PART NAME	QTY	SERIAL NO.	REMARKS
1	H138085	LOCK NUT	1		
2	24H1509	WASHER	1		1-25/64" X 2-1/2" X 0.194"
3	H93645	SHEAVE	1		
4	H115881	BELT	1		
5	H128297	WHEEL	1		
6	JD10342	ECCENTRIC LOCKING COLLAR	1		
7	19H1732	CAP SCREW	4		3/8" X 1-1/4"
8	12H304	LOCK WASHER	4		3/8"
9	JD7759	LUBRICATION FITTING	2		
10	AH121009	HOSE	2		1/8" X 910 MM (35-3/4") X 1/8"
11	JD7845	ELBOW FITTING	2		
12	H99149	HOUSING	2		
13	JD10343	BALL BEARING	2		
14	19H1936	CAP SCREW	3		3/8" X 3/4"
15	SHAFT KEY	2		(CUT FROM H64376) IN AH64587 KEY STOCK KIT
16	H145970	SHAFT	1		SINGLE RANGE
..	BH71936	COMPLETE GOODS/SHIP. BUNDLE	1		RASP BAR TO SPIKE TOOTH CONVERSION
..	BH80112	COMPLETE GOODS/SHIP. BUNDLE	1		SPIKE TOOTH TO RASP BAR CONVERSION (SMALL GRAIN)

4F15

SLOW SPEED CYLINDER DRIVE
HP3983 -UN-01JAN94



HP3983

4F16

DRIVES

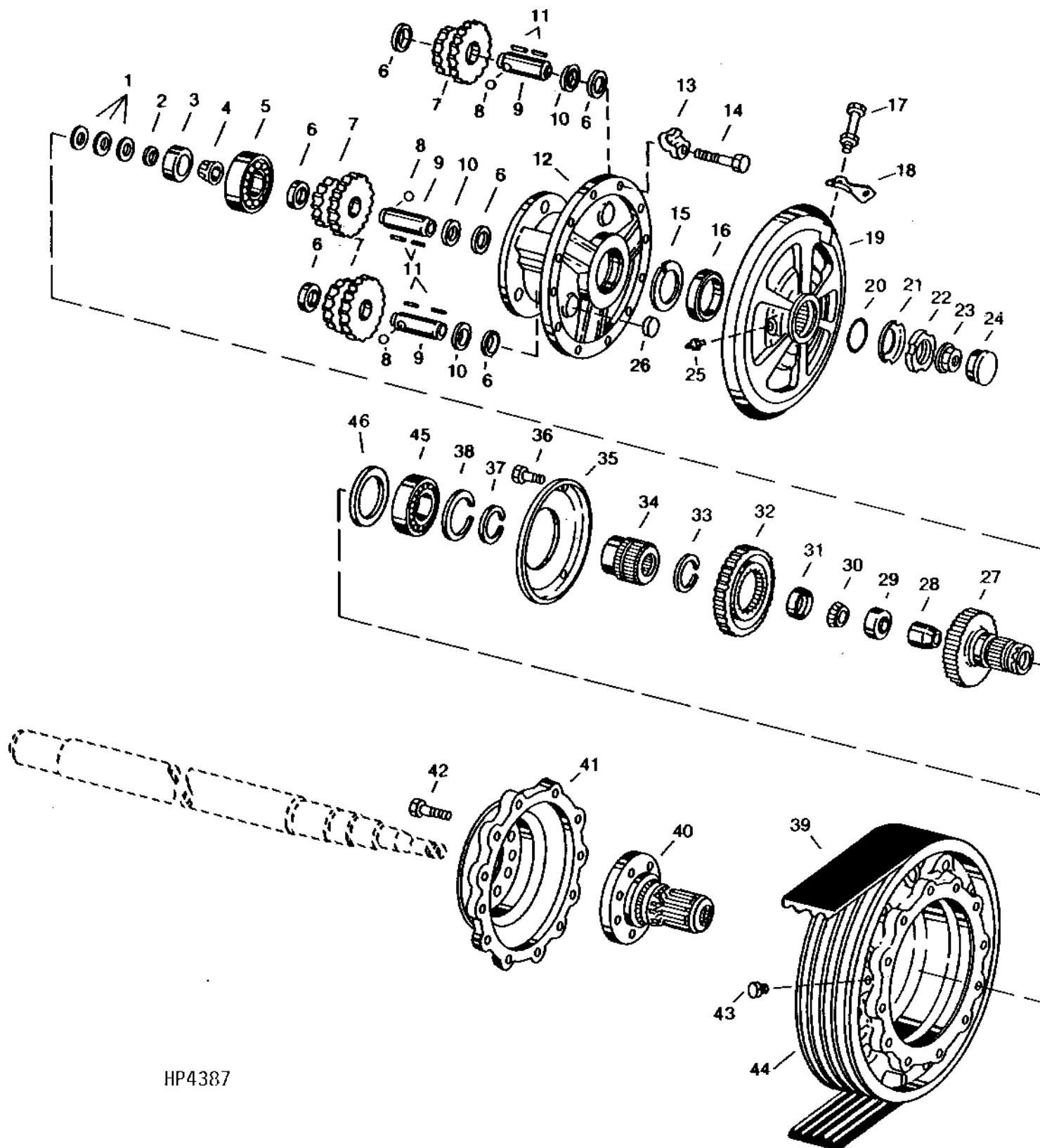
SLOW SPEED CYLINDER DRIVE - CONTINUED

KEY	PART NO.	PART NAME	QTY	SERIAL NO.	REMARKS
1	H118617	BUMPER	1		
2	AH141820	HALF SHEAVE	1		
3	H118616	SHEAVE	1		
4	H141588	HUB	1		
5	19M8017	CAP SCREW	3	M12 X 20	
6	H118618	BELT	1		
7	19M8162	CAP SCREW	3	M10 X 40	
8	H120490	BOLT	4	SPECIAL HOLLOW SHEAR BOLT	
9	M63707	LOCK NUT	4	6.350 MM	
..	BH79239	COMPLETE GOODS/SHIP. BUNDLE	1	DUAL RANGE CYLINDER DRIVE	

4F17

DRIVES

DUAL-RANGE CYLINDER DRIVE GEAR CASE
HP4387 -UN-01JAN94



HP4387

4F18

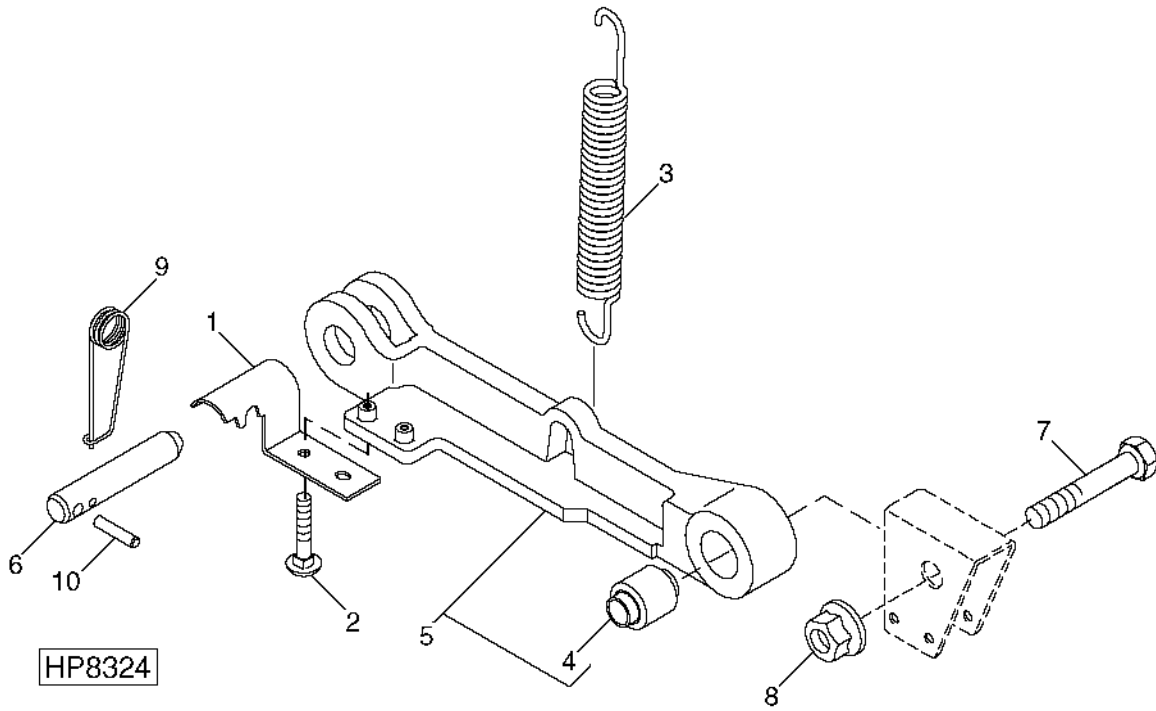
DRIVES

DUAL-RANGE CYLINDER DRIVE GEAR CASE - CONTINUED

KEY	PART NO.	PART NAME	QTY	SERIAL NO.	REMARKS
1	H111260	SHIM	AR		0.05 THICK
	H111261	SHIM	AR		0.10 THICK
	H111262	SHIM	AR		0.25 THICK
2	H111041	WASHER	1		
3	JD8239	BEARING CUP	1		
4	JD8960	BEARING CONE	1		
5	AH108801	BALL BEARING	1		
6	R71758	THRUST WASHER	6		
7	H113947	PINION	3		
8	H871R	BALL	3		
9	H113627	PINION SHAFT	3		
10	R71756	WASHER	3		
11	R84261	PIN	132		
12	H118082	COVER	1		
13	H127855	RETAINER	3		
14	19M8162	CAP SCREW	12		M10 X 40
	12H304	LOCK WASHER	9		3/8"
15	H117703	SHIM	1		
16	AH112883	SEAL	1		
17	19H2151	CAP SCREW	1		1/4" X 3"
	M63707	LOCK NUT	1		6.350 MM
18	H127590	LUG	1		
19	H113208	WHEEL	1		
20	U10063	O-RING	1		
21	H112877	LOCK WASHER	1		
22	E12305	NUT	1		64.719 MM
23	H113238	FLANGE NUT	1		
24	H110521	CAP	1		
25	JD7797	LUBRICATION FITTING	1		
26	H110462	PLUG	3		
27	H113063	GEAR	1		
28	H111042	SPACER	1		
29	JD7441	BEARING	1		
30	JD10214	BEARING CONE	1		
31	AH110887	SEAL	1		
32	H113946	GEAR	1		
33	T47836	SNAP RING	1		
34	H114687	BEARING HOUSING W/O BEARING	1		
35	H110337	RING	1		
36	R38131	CAP SCREW	3		
37	R80R	SNAP RING	1		
38	H114688	SNAP RING	1		
39	H115881	BELT	1		(FOR DUAL RANGE)
	H145994	BELT	1		(FOR EXTENDED RANGE)
40	H126829	HUB	1		
41	H126722	SHEAVE	1		
42	H144962	SCREW	8		
43	AH109056	PIPE PLUG	1		
44	H114689	SHEAVE	1		
45	JD10032	BALL BEARING	1		
46	AF1466R	SEAL	1		
..	TY15130	SEALANT	1		SIZE: 3 OZ. (CANADA PART NO. TY9484)
..	TY6304	SEALANT	1		(CANADA PART NO. TY9483)
..	AH134859	GEAR CASE	1		(DOES NOT INCLUDE H115881)
..	TY6333	GREASE	1		SIZE- 14 OZ. TUBE
..	BH71935	COMPLETE GOODS/SHIP. BUNDLE	1		EXTENDED DUAL RANGE CYLINDER DRIVE
..	BH79239	COMPLETE GOODS/SHIP. BUNDLE	1		150 TO 610 RPM CYLINDER CONVERSION

4F19

DUAL-RANGE LOCKOUT ARM
HP8324 -UN-19AUG99



4F20

DRIVES

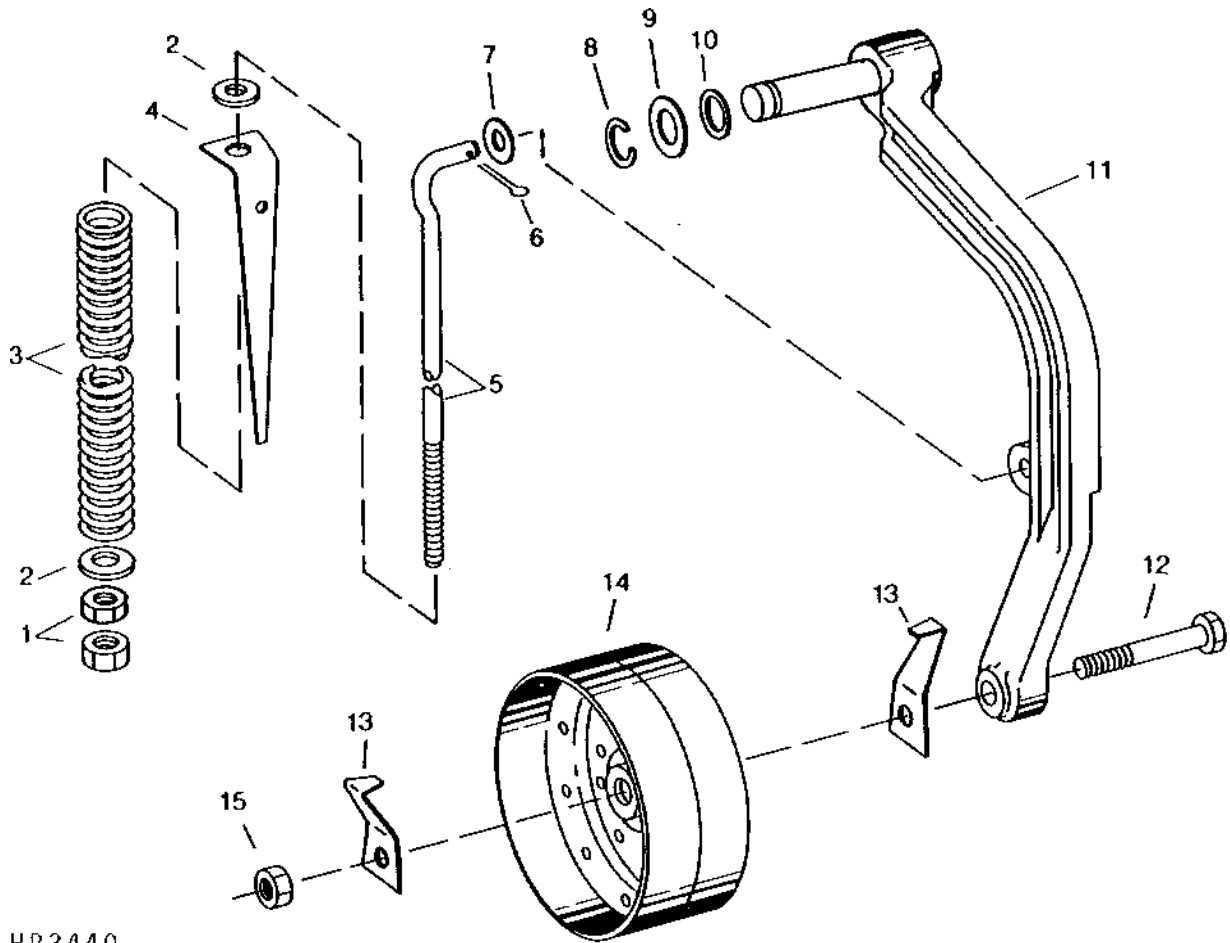
DUAL-RANGE LOCKOUT ARM - CONTINUED

KEY	PART NO.	PART NAME	QTY	SERIAL NO.	REMARKS
1	H139709	RETAINER	1		
2	19M7867	SCREW	2	M8 X 25	
3	M45123	EXTENSION SPRING	1		
4	AH143746	RUBBER MOUNT	1		
5	AH143747	ARM	1		
6	H110542	PIN	1		
7	19M7826	SCREW	1	M16 X 70	
8	14M7291	FLANGE NUT	1	M16	
9	H114001	QUICK LOCK PIN	1		
10	34M7036	SPRING PIN	1	5 X 45 MM	
..	BH71935	COMPLETE GOODS/SHIP. BUNDLE	1	EXTENDED DUAL RANGE CYLINDER DRIVE	

4F21

DRIVES

DUAL-RANGE CYLINDER DRIVE TIGHTENER
HP3440 -UN-01JAN94



HP 3440

4F22

DRIVES

DUAL-RANGE CYLINDER DRIVE TIGHTENER - CONTINUED

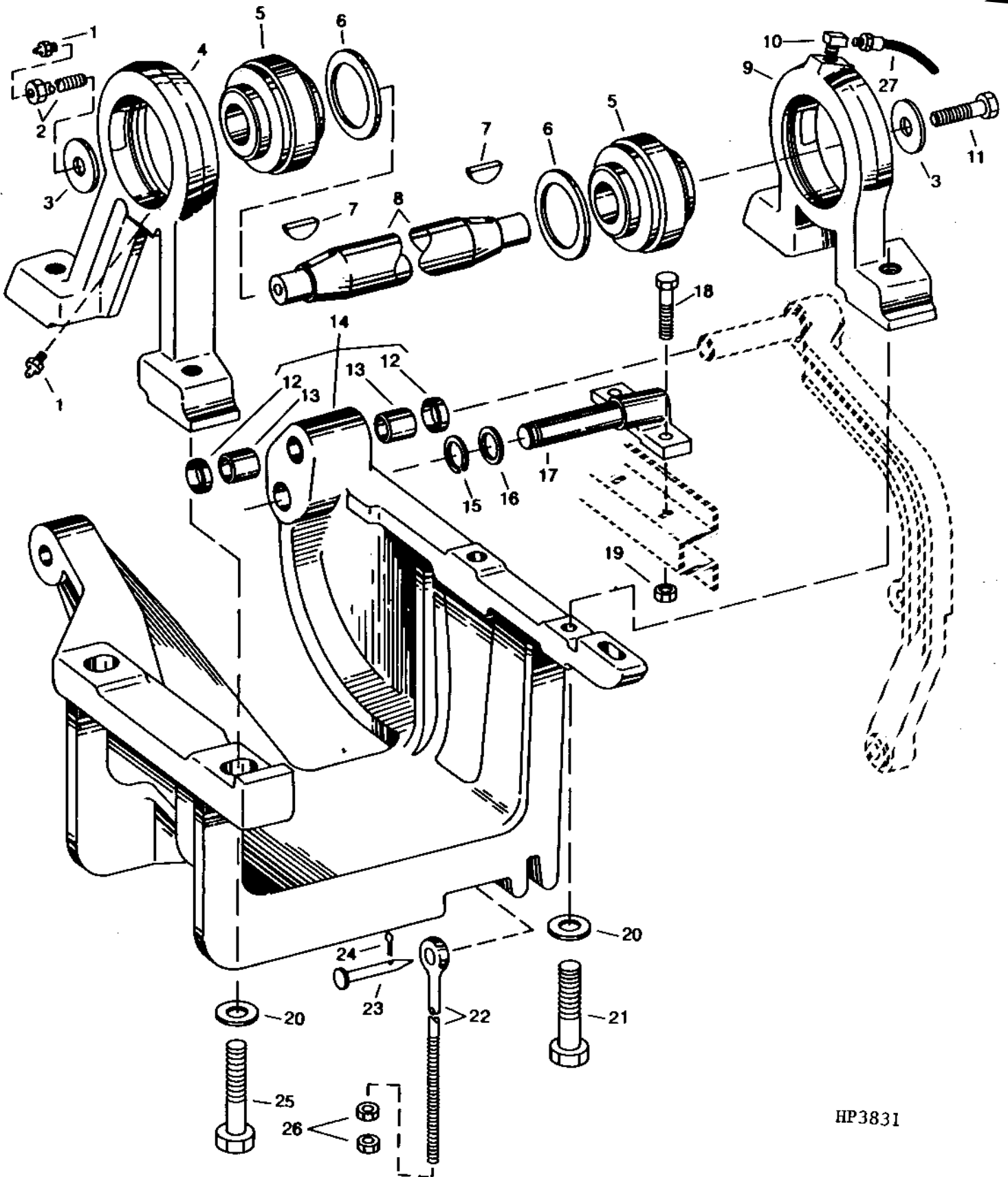
KEY	PART NO.	PART NAME	QTY	SERIAL NO.	REMARKS
1	14M7276	NUT	2	M16	
2	24H1373	WASHER	2	21/32" X 1-9/16" X 0.180"	
3	N61654	SPRING	1		
4	H116862	GAUGE	1		
5	H116861	HOOK BOLT	1		
6	11M7028	COTTER PIN	1	5 X 32 MM	
7	24M7053	WASHER	1	17 X 30 X 3 MM	
8	P46402	SNAP RING	1		
9	24H1447	WASHER	AR	1-1/32" X 1-1/2" X 0.036" (USE FOUR OR LESS)	
10	24H1448	WASHER	1	1-1/32" X 1-1/2" X 0.120"	
11	AH113139	ARM	1		
12	19M7818	SCREW	1	M12 X 80	
13	H94386	BRACKET	2		
14	AH141762	IDLER	1		
15	14M7299	FLANGE NUT	1	M12	

4F23

DRIVES

DUAL-RANGE CYLINDER DRIVE INTERMEDIATE SHAFT MOUNTING

HP3831 -UN-01JAN94



HP3831

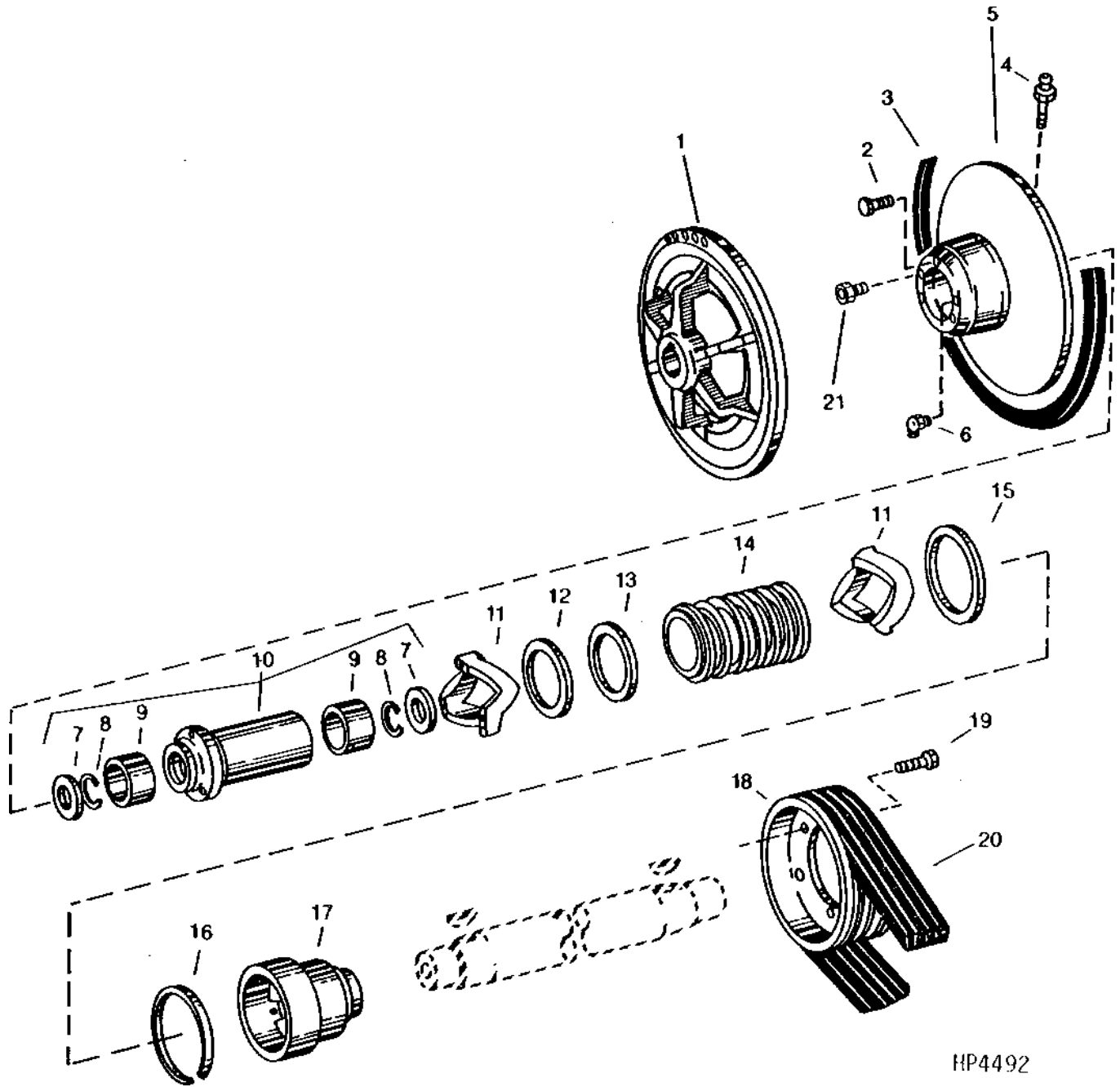
4F24

DRIVES

DUAL-RANGE CYLINDER DRIVE INTERMEDIATE SHAFT MOUNTING - CONTINUED

KEY	PART NO.	PART NAME	QTY	SERIAL NO.	REMARKS
1	JD7759	LUBRICATION FITTING	2		1/8" STRAIGHT
2	H110168	SCREW	1		
3	R20135	WASHER	2		
4	H121134	HOUSING	1		
5	AH108813	BALL BEARING	2		
6	E18993	WASHER	2		
7	26M6787	SHAFT KEY	2		10 X 32 MM
8	H148241	SHAFT	1		
	H148242	SHAFT	1		(FOR EXTENDED RANGE)
9	H119210	HOUSING	1		
10	JD7839	LUBRICATION FITTING	1		90 DEGREE
11	19M7793	SCREW	1		M16 X 40, WITH BUSHINGS
12	AA5607R	SEAL	2		
13	H99147	BUSHING	2		(SUB H171061)
	H171061	BEARING	2		
14	AH122451	SUPPORT	1		
	AH132346	SUPPORT	1		WITH BUSHINGS,(FOR EXTENDED RANGE)
15	M2353T	SNAP RING	1		
16	24H1513	WASHER	1		1-13/32" X 2" X 0.060"
17	H127596	PIN	1		
18	19M7898	SCREW	2		M10 X 130
19	14M7296	FLANGE NUT	2		M10
20	T20217	WASHER	4		12.954 X 43.942 X 6.350 MM
21	19H3057	CAP SCREW	2		1/2" X 2-3/4"
22	H127583	EYEBOLT	1		
23	T22714	PIN	1		
24	11M7028	COTTER PIN	1		5 X 32 MM
25	19M8306	SCREW	2		M12 X 50
26	14M7291	FLANGE NUT	2		M16
27	AH121007	HOSE	1		

DUAL-RANGE CYLINDER DRIVE INTERMEDIATE SHEAVE
HP4492 -UN-01JAN94



HP4492

DUAL-RANGE CYLINDER DRIVE INTERMEDIATE SHEAVE - CONTINUED

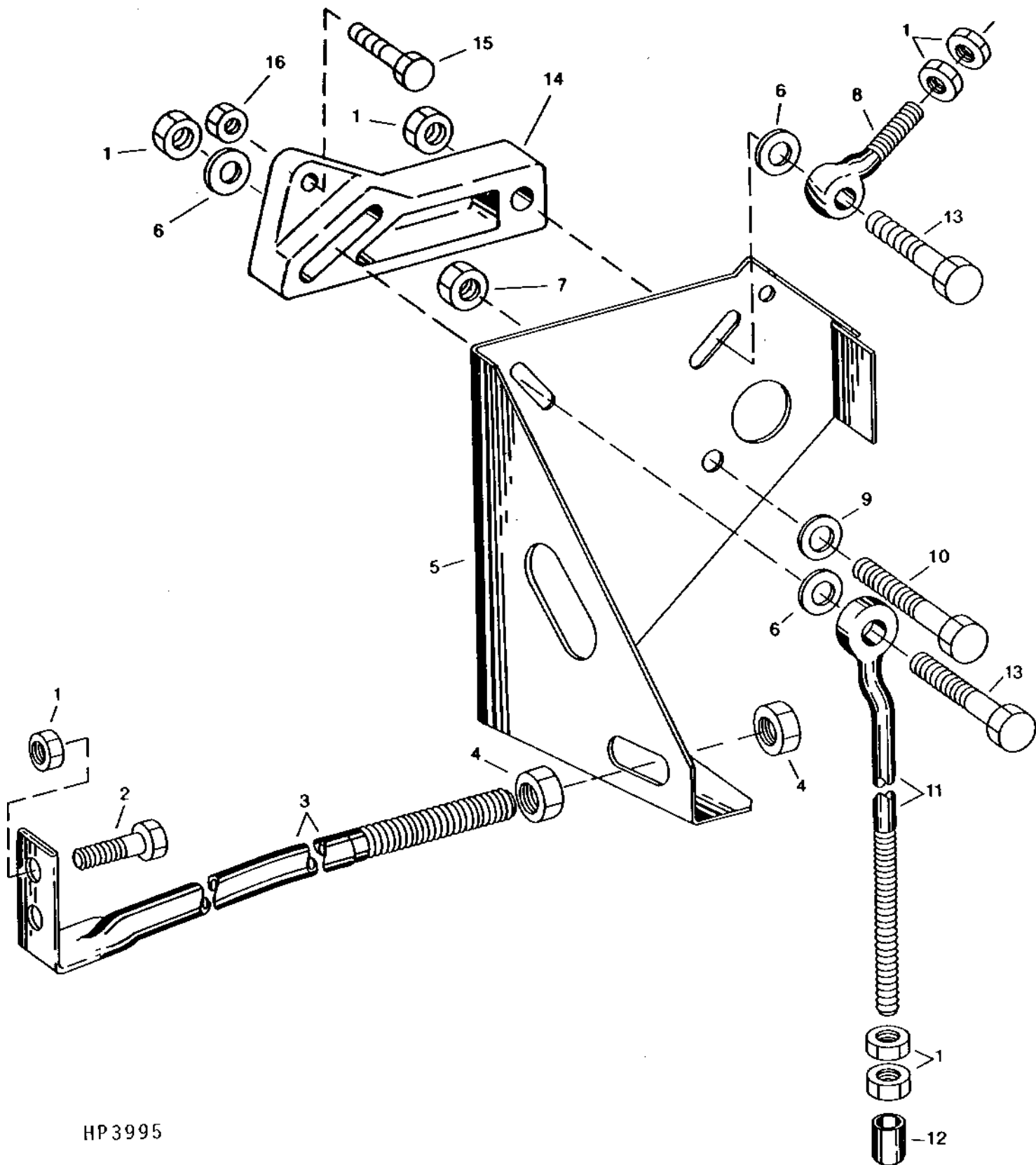
KEY	PART NO.	PART NAME	QTY	SERIAL NO.	REMARKS
1	H145955	SHEAVE	1		
	H137580	SHEAVE	1		(FOR EXTENDED RANGE)
2	19M7789	SCREW	3		M12 X 30
3	H115759	BELT	1		(SUB H162629)
	H162629	BELT	1		
	H137670	BELT	1		(FOR EXTENDED RANGE)
4	JD7759	LUBRICATION FITTING	1		1/8" STRAIGHT
5	AH141973	HALF SHEAVE	1		
	AH141974	HALF SHEAVE	1		(INCLUDES JD7759)
6	JD7788	LUBRICATION FITTING	1	-10AU98	45 DEGREE
7	AH106110	SEAL	2		
8	B3118R	SNAP RING	2		
9	H125528	BUSHING	2		
10	AH120907	HUB	1		
	AH132190	HUB	1		(FOR EXTENDED RANGE)
11	H145243	CAM	2		
	H129878	CAM	2		(EXTENDED RANGE)
12	H96227	WASHER	1		
13	H96232	WASHER	1		
14	AH132189	SPRING ASSEMBLY	1		(INCLUDES H96226) (FOR EXTENDED RANGE)
	AH148893	SPRING ASSEMBLY	1		
15	AH94854	SEAL	1		
	AH136497	SEAL	1		
16	H107389	RING	1		
17	H146394	HUB	1		
18	H125391	SHEAVE	1		
	H146395	SHEAVE	1		(FOR EXTENDED RANGE) HUB IS PART OF SHEAVE
19	19M7818	SCREW	3		M12 X 80
20	H115881	BELT	1		(FOR DUAL RANGE)
	H145994	BELT	1		(FOR EXTENDED RANGE)
21	AH106296	BREATHER	1	-10AU98	(FOR EXTENDED RANGE)
	AE38448	RELIEF VALVE	1	10AU98-	

4G3

DRIVES

INTERMEDIATE DRIVE ADJUSTING BRACKET

HP3995 -UN-01JAN94



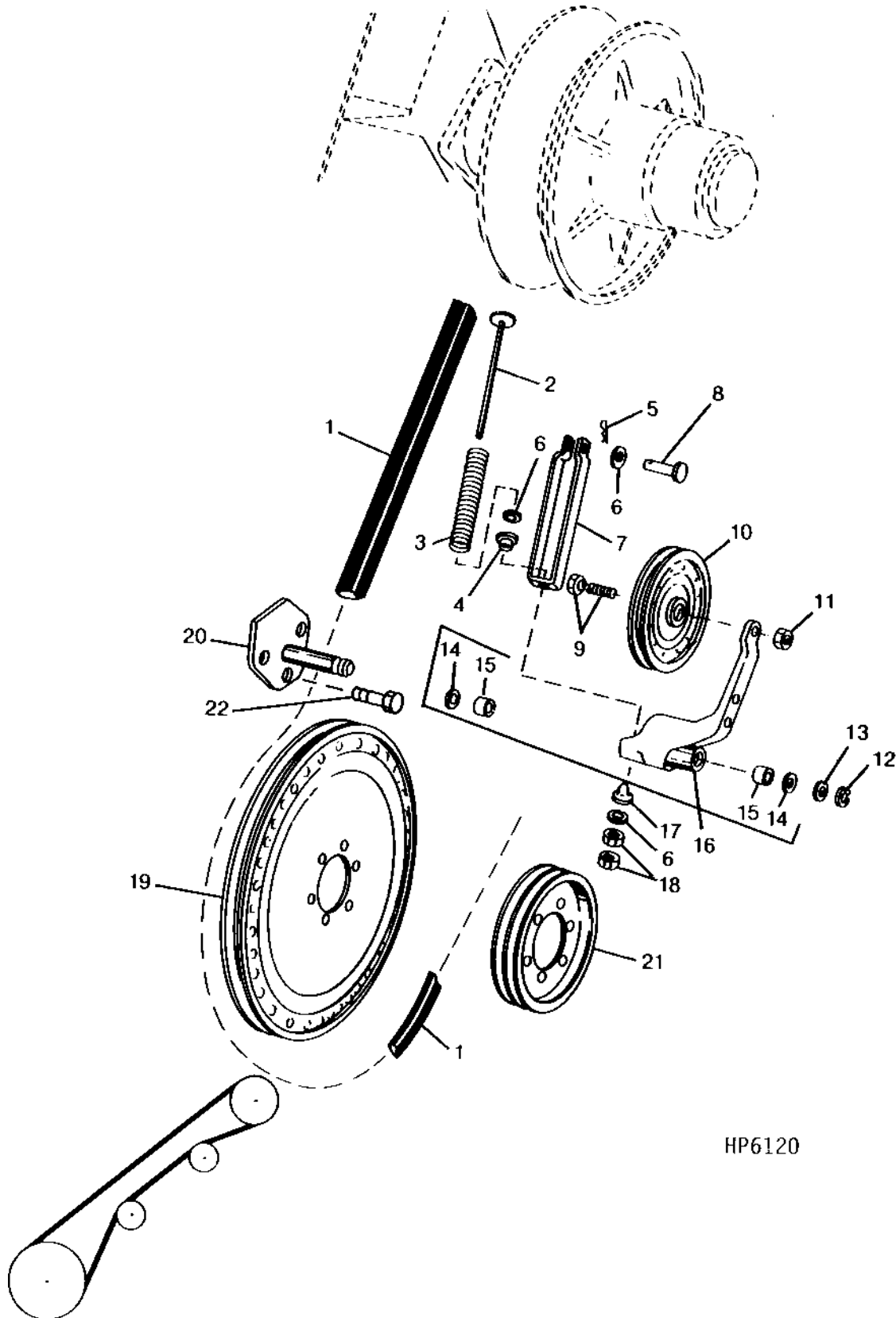
HP3995

INTERMEDIATE DRIVE ADJUSTING BRACKET - CONTINUED

KEY	PART NO.	PART NAME	QTY	SERIAL NO.	REMARKS
1	14M7299	FLANGE NUT	8	M12	
2	19M7837	SCREW	2	M12 X 110	
3	AH126538	BRACE	1		
4	14M7300	FLANGE NUT	2	M20	
5	H131482	SUPPORT	1		
	H137721	BRACKET	1		(FOR EXTENDED RANGE)
6	24M7240	WASHER	3	13 X 25 X 3 MM	
7	14M7291	FLANGE NUT	1	M16	
8	H116065	EYEBOLT	1		
9	24M7053	WASHER	1	17 X 30 X 3 MM	
10	19M8046	CAP SCREW	1	M16 X 70	
11	H131485	EYEBOLT	1		
12	R50770	PLUG	1		
13	19M7791	SCREW	2	M12 X 40	
	19M7818	SCREW	1		(FOR EXTENDED RANGE)
14	H141356	SPACER	1		(FOR EXTENDED RANGE)
15	19M7868	SCREW	1		(FOR EXTENDED RANGE)
16	14M7298	FLANGE NUT	1		(FOR EXTENDED RANGE)

4G5

SECONDARY COUNTERSHAFT DRIVE
HP6120 -UN-21JUL95



HP6120

4G6

DRIVES

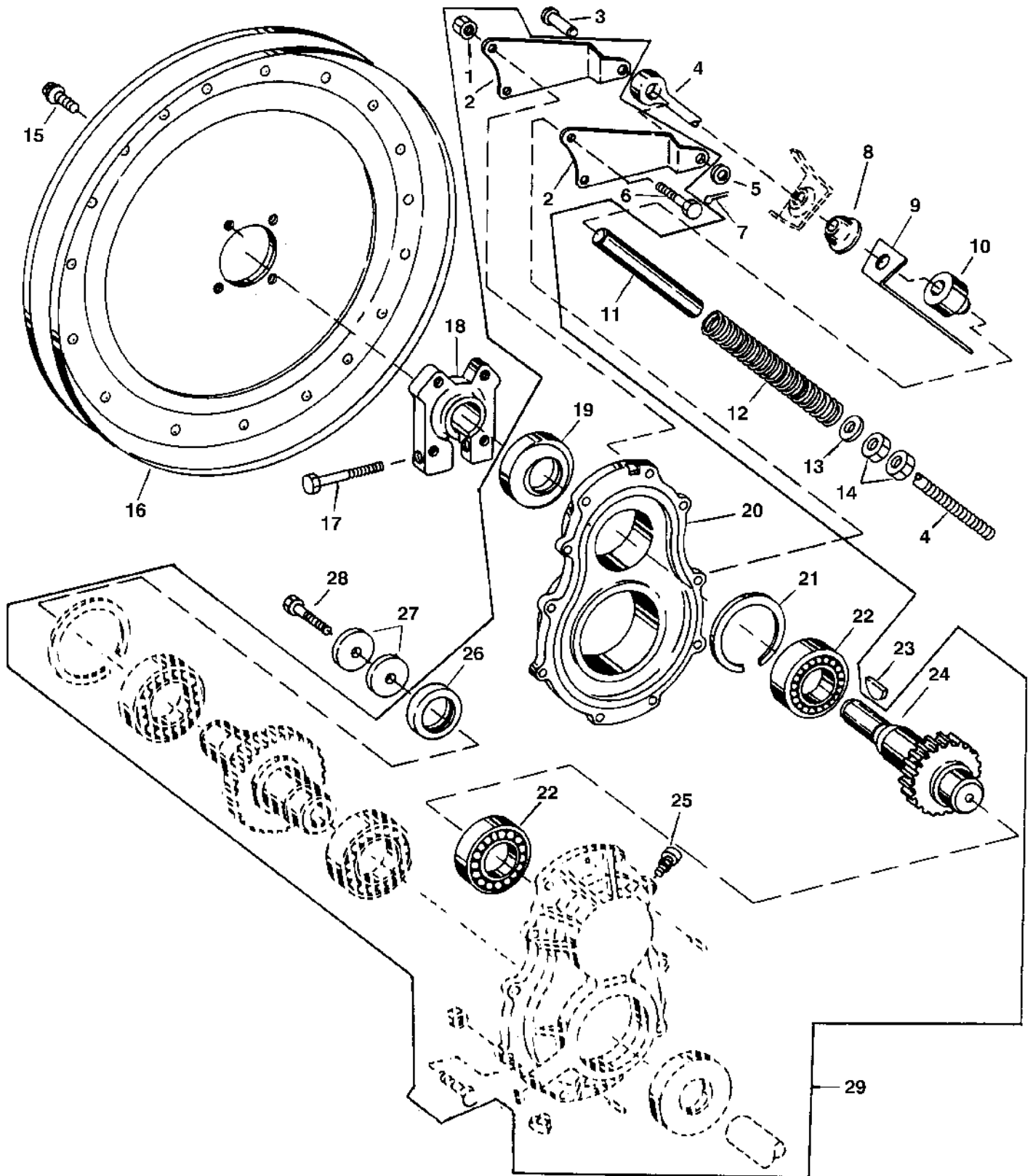
SECONDARY COUNTERSHAFT DRIVE - CONTINUED

KEY	PART NO.	PART NAME	QTY	SERIAL NO.	REMARKS
1	H128010	BELT	1		
2	AH156051	SPRING PIN	1		
3	B10604	SPRING	1		
4	H97513	BUSHING	1		
5	11M7028	COTTER PIN	1	5 X 32 MM	
6	24M7047	WASHER	3	13 X 24 X 2.500 MM	
7	H133667	CLEVIS	1		
8	H748DA	PIN	1		
9	19M7824	SCREW	1	M16 X 60	
10	AH97031	IDLER	1		
11	14M7291	FLANGE NUT	1	M16	
12	P46402	SNAP RING	1		
13	24M7091	WASHER	1	26 X 44 X 4 MM	
14	AA5607R	SEAL	2		
15	H99147	BUSHING	2	(SUB H171061)	
	H171061	BEARING	2		
16	AH124828	ARM	1		
17	H129207	PIVOT	1		
18	14M7275	NUT	2	M12	
19	AH104783	PULLEY	1		
20	AH156051	SPRING PIN	1		
21	H142143	SHEAVE	1		
22	19M7784	SCREW	3	M10 X 20	

4G7

DRIVES

STRAW WALKER DRIVE GEARCASE
HP6900 -UN-12SEP97



HP6900

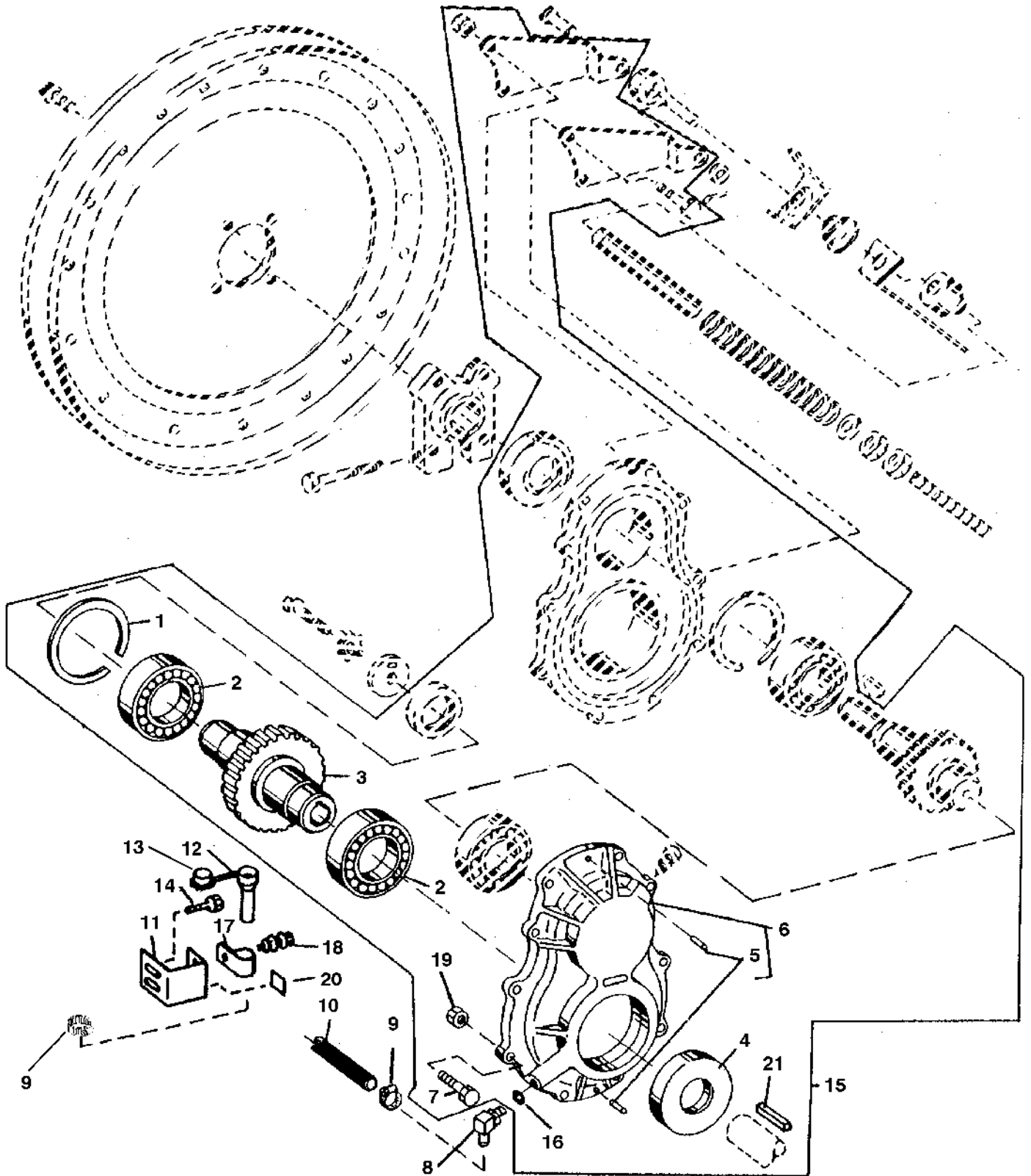
STRAW WALKER DRIVE GEARCASE - CONTINUED

KEY	PART NO.	PART NAME	QTY	YEAR	REMARKS
1	14M7298	FLANGE NUT	10		M8
2	H129312	ARM	2		
3	45M7084	PIN	1		12 X 35 MM
4	H129311	EYEBOLT	1		
5	24M7047	WASHER	1		13 X 24 X 2.500 MM
6	19M8317	SCREW	2		M8 X 40
7	11M7015	COTTER PIN	1		3.200 X 25 MM
8	H129207	PIVOT	1		
9	H135512	GAUGE	1		
10	TY22329	BULK HOSE	1		
11	H134359	HOSE	1		(SUB TY22329) CUT TO LENGTH
12	H86783	SPRING	1		
13	24M7180	WASHER	1		13 X 37 X 3 MM
14	14M7275	NUT	2		M12
15	19M7784	SCREW	4		M10 X 20
16	AH122863	SHEAVE	1		
17	19M7663	CAP SCREW	1		M8 X 70
18	H134760	HUB	1		
19	RE20768	SEAL	1		
20	AH135573	GEAR CASE	1		GEARCASE W/TWO MATCHED HALVES ONLY INCLUDES TWO 34M7038, ALSO REQS. AR90369 ELBOW AND R26375 O-RING
21	R62192	SNAP RING	1		
22	JD7686	BALL BEARING	2		
23	26M4228	SHAFT KEY	1		8 X 28 MM (0.315" X 1.102") WOODRUFF
24	H114134	PINION	1		
25	U14273	BREATHER	1		
26	AH111970	SEAL	1		
27	N134803	WASHER	2		
28	H155973	SCREW	1		
29	AH135572	GEAR CASE	1		(SUB AH162469) GEARCASE WITH TWO MATCHED HALVES AND COMPLETE INTERNAL PARTS. REQS. AR90369 ELBOW AND R26375 O-RING
	AH162469	GEAR CASE	1		

4G9

DRIVES

STRAW WALKER DRIVE GEARCASE
HP6901 -UN-12SEP97



HP6901

4G10

DRIVES

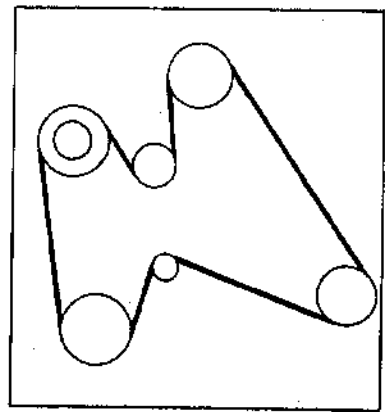
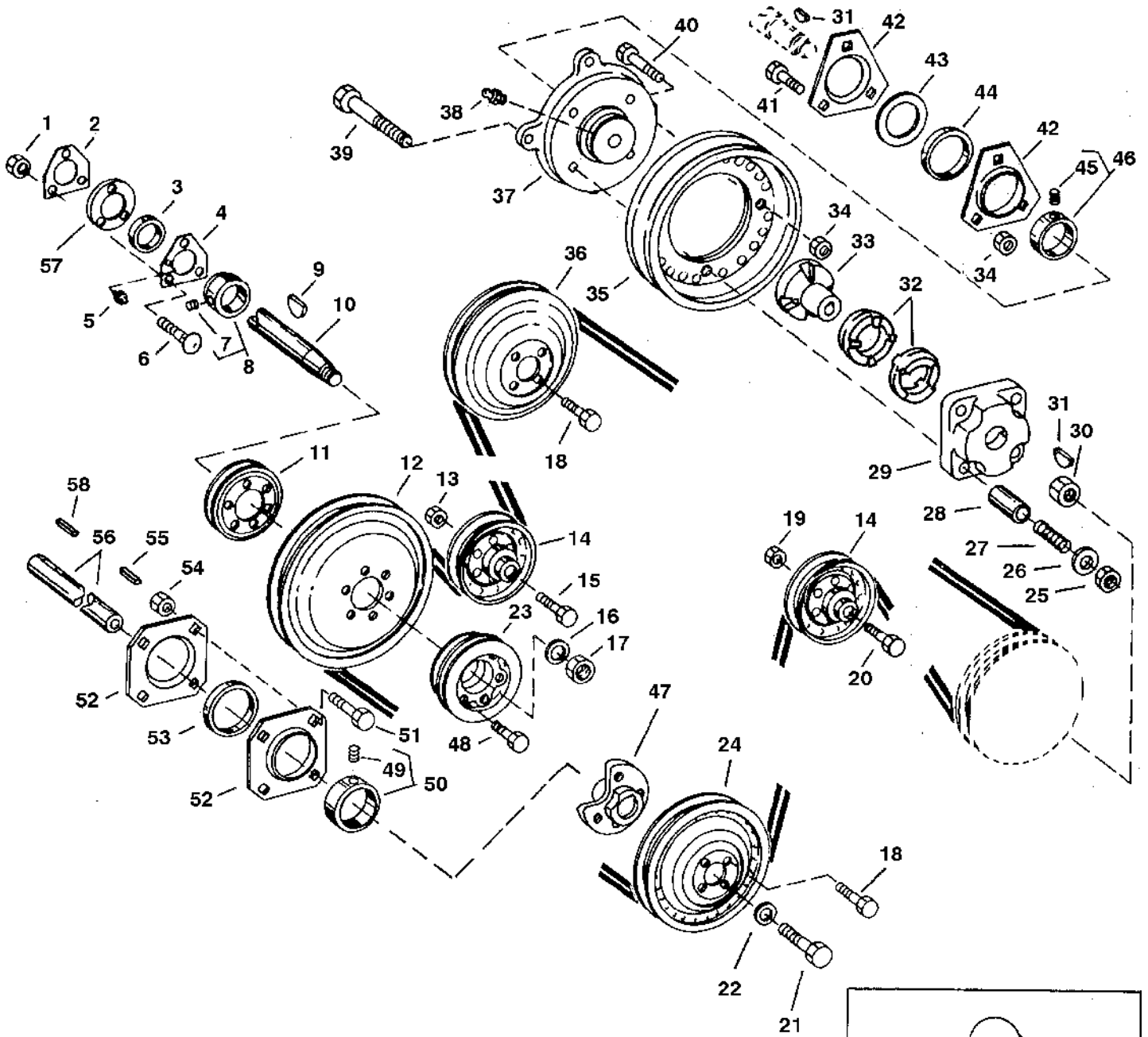
STRAW WALKER DRIVE GEARCASE - CONTINUED

KEY	PART NO.	PART NAME	QTY	SERIAL NO.	REMARKS
1	BP13620	SNAP RING	1		
2	JD10011	BALL BEARING	2		
3	H114100	GEAR	1		
4	AH111971	SEAL	1		
5	34M7038	SPRING PIN	2	6 X 20 MM	
6	AH135573	GEAR CASE	1		GEARCASE W/TWO MATCHED HALVES ONLY INCLUDES TWO 34M7038, ALSO REQS. AR90369 ELBOW AND R26375 O-RING
7	19M7868	SCREW	8	M8 X 30	
8	AR90369	ELBOW FITTING	1		
9	TY22465	HOSE CLAMP	2		ONE CLAMP FOR BLACK HOSE ONE CLAMP FOR CLEAR HOSE
10	H142055	LINE	1		
11	H143420	STOP	1		
12	M73346	OIL TUBE	1		
13	15H582	FITTING	1		
14	37M7083	SCREW	2	M8 X 12, FOR H133409 HOSE SUPPORT	
	37M7058	SCREW	2	M8 X 20 FOR H143420 STOP	
15	AH135572	GEAR CASE	1		(SUB AH162469) GEARCASE W/TWO HALVES AND COMPLETE INTERNAL PARTS. REQS. AR90369 ELBOW AND R26375 O-RING
	AH162469	GEAR CASE	1		
16	R26375	O-RING	1		
17	T38377	CLIP	1		FOR BLACK HOSE ON STRAW WALKER GEARBOX
18	19M7867	SCREW	2	M8 X 25	
	14M7298	FLANGE NUT	2	M8	
19	14M7298	FLANGE NUT	10	M8	
20	H145706	LABEL	1		ALIGN TO BOTTOM EDGE
21	H138344	SHAFT KEY	1		

4G11

DRIVES

STRAW WALKER, CONVEYOR AUGERS, SIEVE AND CHAFFER DRIVE
HP6902 -UN-18AUG97



HP6902

4G12

DRIVES

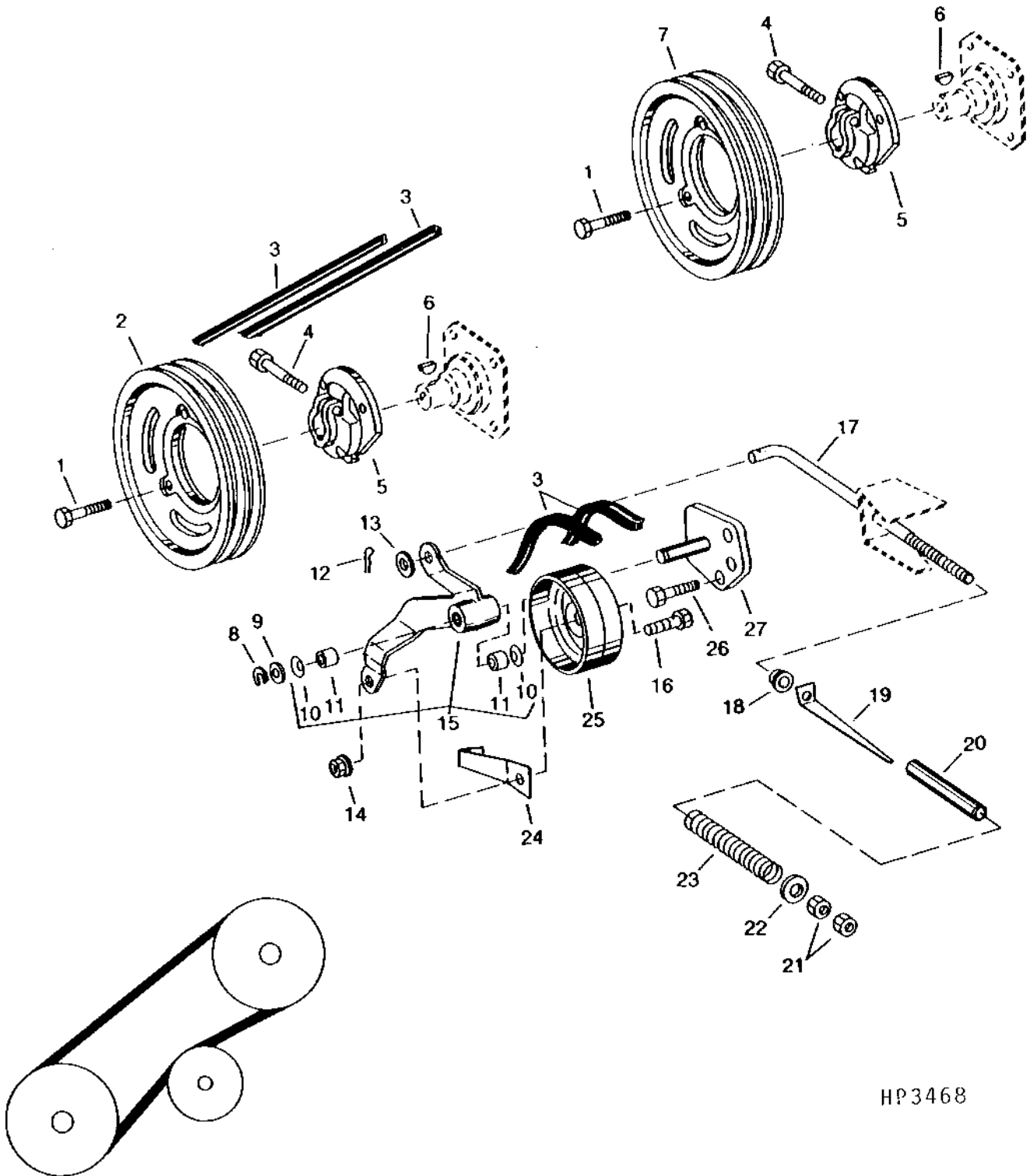
STRAW WALKER, CONVEYOR AUGERS, SIEVE AND CHAFFER DRIVE - CONTINUED

KEY	PART NO.	PART NAME	QTY	SERIAL NO.	REMARKS
1	14M7296	FLANGE NUT	3	M10	
2	H135410	PRESSED FLANGED HOUSING	1		
3	AH139296	BALL BEARING	1		
4	AH129420	PRESSED FLANGED HOUSING	1		
5	JD7846	LUBRICATION FITTING	1		
6	03M7191	BOLT	3	M10 X 25	
7	22M7081	SET SCREW	1	M10 X 10	
8	AH133191	ECCENTRIC LOCKING COLLAR	1		
9	H153524	KEY	1	WOODRUFF (HARDENED)	
10	H132208	JACKSHAFT	1		
11	H131170	SHEAVE	1		
12	AH104783	PULLEY	1		
13	14M7291	FLANGE NUT	1	M16	
14	AH94450	IDLER	2		
15	19M7824	SCREW	1	M16 X 60	
16	24M7091	WASHER	1	26 X 44 X 4 MM	
17	14M7413	LOCK NUT	1	M24	
18	19M7784	SCREW	8	M10 X 20	
19	14M7291	FLANGE NUT	1	M16	
20	19M7824	SCREW	1	M16 X 60	
21	19M7283	CAP SCREW	2	M16 X 35	
22	T119912	WASHER	2	16.662 X 41.148 X 6.350 MM	
23	H142143	SHEAVE	1		
24	AH126188	SHEAVE	1		
25	14M7400	LOCK NUT	4	M10	
26	24M7101	WASHER	4	11 X 34 X 3 MM, (SUB FOR (4) 24H1730)	
27	R56722	SPRING	4		
28	H87206	SPACER	4		
29	H89525	RETAINER	1		
30	14M7300	FLANGE NUT	1	M20	
31	26M4226	SHAFT KEY	1	5 X 19 MM WOODRUFF	
32	H128265	SLIP CLUTCH	2		
33	H131098	HUB	1		
34	14M7296	FLANGE NUT	4	M10	
35	AH126094	SHEAVE	1		
36	AH122863	SHEAVE	1		
37	H135423	HUB	1		
38	JD7797	LUBRICATION FITTING	1		
39	19M8166	CAP SCREW	4	M10 X 110	
40	19M7786	SCREW	4	M10 X 30	
41	03M7191	BOLT	3	M10 X 25	
42	E10018	PRESSED FLANGED HOUSING	2		
43	H102533	SHIM	5		
44	AH129451	BALL BEARING	1		
45	SET SCREW	1		
46	AH129452	ECCENTRIC LOCKING COLLAR	1		
47	H133603	HUB	1		
48	19M7810	SCREW	6	M10 X 80	
49	22M7081	SET SCREW	2	M10 X 10	
50	AL14674	ECCENTRIC LOCKING COLLAR	2		
51	03M7198	BOLT	8	M12 X 30	
52	H133621	PRESSED FLANGED HOUSING	4		
53	JD39109	BALL BEARING	2		
54	14M7299	FLANGE NUT	16	M12	
55	SHAFT KEY	1	M6 X 50 MM (CUT FROM H150268)	
56	H133598	SHAFT	1	CLEANING SHOE SHAFT	
57	H105578	SHIM	1		
58	SHAFT KEY	1	M6 X 100 (CUT FROM H150268)	
..	H131169	BELT	1		

4G13

DRIVES

BEATER DRIVE, SHEAVES AND TIGHTENER
HP3468 -UN-01JAN94



HP3468

4G14

DRIVES

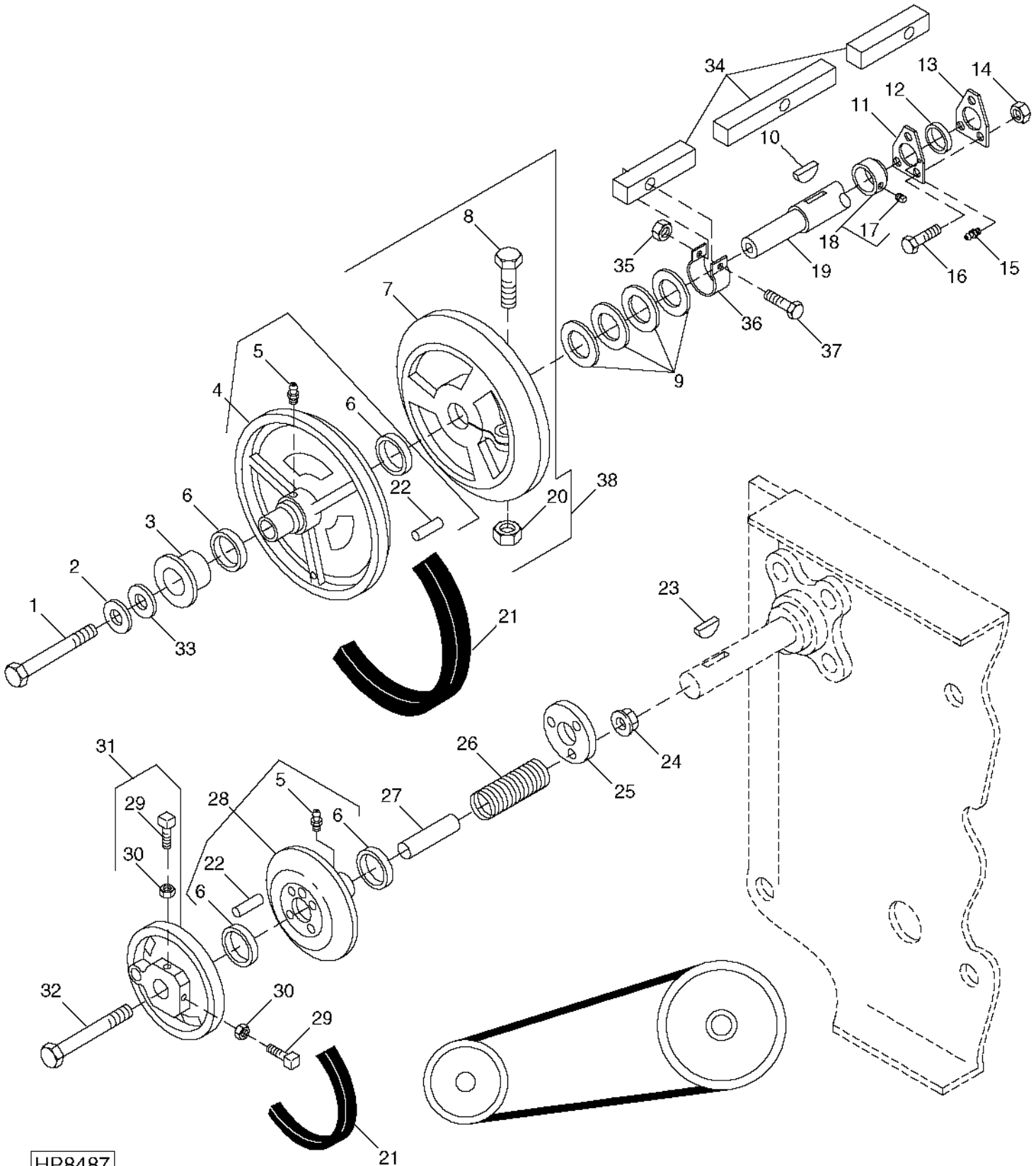
BEATER DRIVE, SHEAVES AND TIGHTENER - CONTINUED

KEY	PART NO.	PART NAME	QTY	SERIAL NO.	REMARKS
1	19M7785	SCREW	6	M10 X 25	
2	H125558	SHEAVE	2	FOR 100 PERCENT BEATER DRIVE	
	H135849	SHEAVE	1	FOR 75 PERCENT BEATER DRIVE	
3	AH139436	BELT SET	1	FOR 100 PERCENT BEATER DRIVE	
	AH163931	BELT	1	(SUB FOR AH131960) FOR 75 PERCENT BEATER DRIVE	
4	19M7808	SCREW	2	M10 X 65	
5	H128327	HUB	2		
6	26M6787	SHAFT KEY	2	10 X 32 MM	
7	H135850	SHEAVE	1	FOR 75 PERCENT BEATER DRIVE	
8	P46402	SNAP RING	1		
9	24M7091	WASHER	1	26 X 44 X 4 MM	
10	AA5607R	SEAL	2		
11	H99147	BUSHING	2	(SUB H171061)	
	H171061	BEARING	2		
12	11M7021	COTTER PIN	1	4 X 25 MM	
13	24M7047	WASHER	1	13 X 24 X 2.500 MM	
14	14M7299	FLANGE NUT	1	M12	
15	AH131508	ARM	1		
16	19M7817	SCREW	1	M12 X 70	
17	H125560	BOLT	1		
18	H129207	PIVOT	1		
19	H140944	GAUGE	1		
20	TY22326	BULK HOSE	1	(SUB TY22326) CUT TO LENGTH	
21	14M7275	NUT	2	M12	
22	24M7180	WASHER	1	13 X 37 X 3 MM	
23	H82418	SPRING	1		
24	H94386	BRACKET	2		
25	AH141762	IDLER	1		
26	19M7784	SCREW	3	M10 X 20	
27	AH156051	SPRING PIN	1		
..	BH78623	COMPLETE GOODS/SHIP. BUNDLE	1	75 PERCENT BEATER DRIVE	

4G15

DRIVES

SEPARATOR FAN DRIVE
HP8487 -UN-20APR99



HP8487

4G16

DRIVES

SEPARATOR FAN DRIVE - CONTINUED

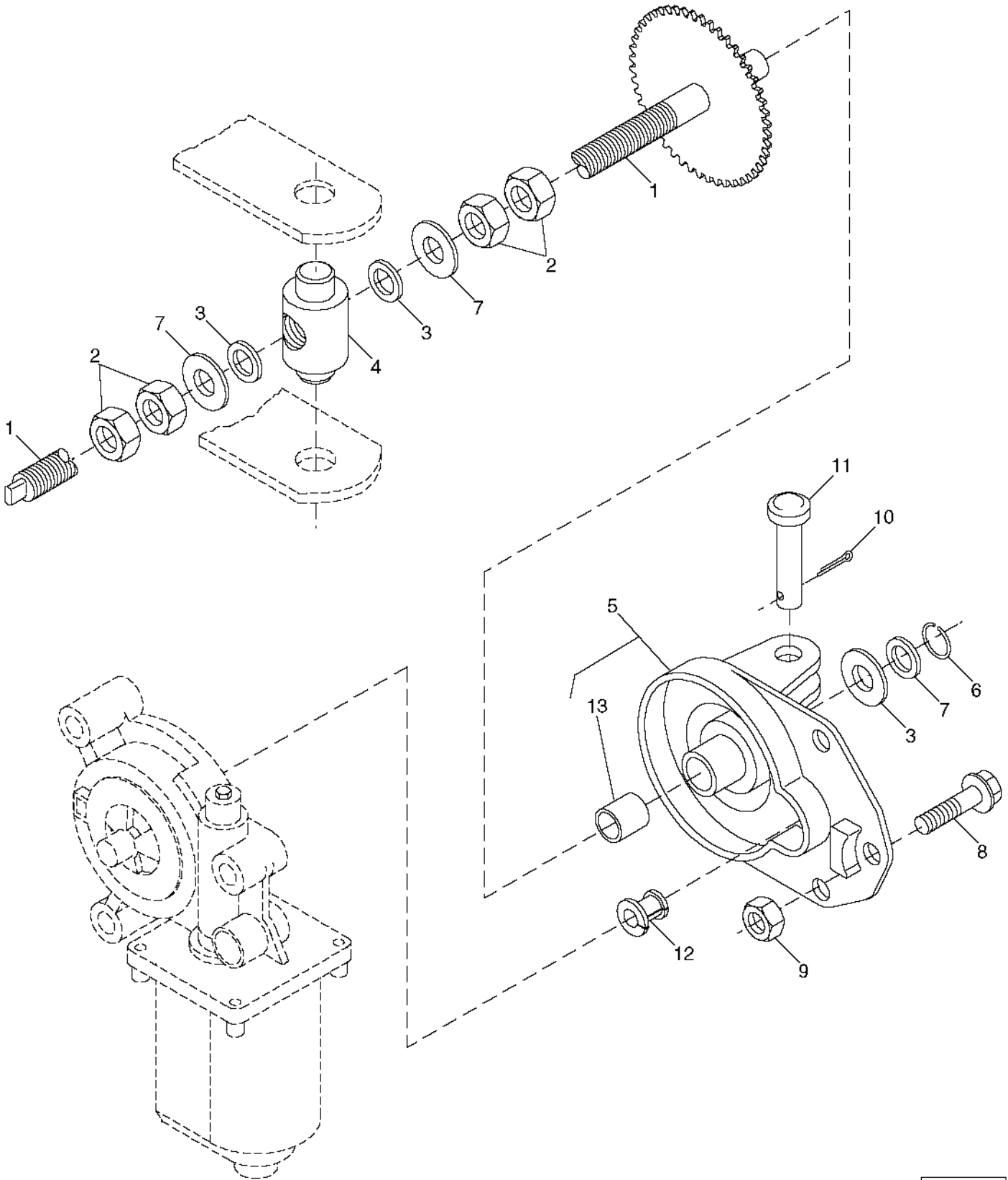
KEY	PART NO.	PART NAME	QTY	SERIAL NO.	REMARKS
1	19M7786	SCREW	1	M10 X 30	
2	24H1314	WASHER	1	13/32" X 1-3/4" X 7/64"	
3	AH124050	THROW-OUT BEARING	1		
4	AH146463	HALF SHEAVE	1	401 MM O.D. (750-1350 RPM)	
	AH146506	HALF SHEAVE	1	(SUB AH153040) 289 MM O.D. (490-980 RPM) OPT	
	AH153040	SHEAVE	1	289 MM O.D. (490-980 RPM) OPT	
5	JD7759	LUBRICATION FITTING	2		
6	AH14080	SEAL	4		
7	AH134873	SHEAVE	1	401 MM O.D. (750-1350 RPM) (SUB AH134873)	
	AH149357	HALF SHEAVE	1	289 MM O.D. (490-980 RPM) OPT.	
8	19M8112	SCREW	1	M12 X 55	
9	24H1512	WASHER	8	1-13/32" X 2" X 0.032"	
10	H153524	KEY	1	WOODRUFF (HARDENED)	
11	AH129420	PRESSED FLANGED HOUSING	1		
12	AH139296	BALL BEARING	1		
13	H135410	PRESSED FLANGED HOUSING	1		
14	14M7296	FLANGE NUT	3	M10	
15	JD7846	LUBRICATION FITTING	1		
16	03M7191	BOLT	3	M10 X 25	
17	22M7081	SET SCREW	1	M10 X 10	
18	AH133191	ECCENTRIC LOCKING COLLAR	1		
19	H132208	JACKSHAFT	1		
20	14M7299	FLANGE NUT	1	M12	
21	H152146	BELT	1	(750-1350 RPM) STD. SPEED	
	H152180	BELT	1	(490-980 RPM) OPT. SPEED	
22	R1964R	DOWEL PIN	2		
23	26M6731	SHAFT KEY	1	6 X 25 MM	
24	14M7396	LOCK NUT	4	M8	
25	H135599	WASHER	1		
26	H93399	SPRING	4		
27	H133489	BUSHING	4		
28	AH146461	HALF SHEAVE	1		
29	H138435	SET SCREW	2	M10 X 25	
30	14M7152	NUT	2	M10	
31	AH146462	HALF SHEAVE	1		
32	19M7873	SCREW	4	M8 X 110	
33	24H1307	WASHER	AR	13/32" X 1" X 1/16"	
34	H137817	STRIPPER	1		
35	14M7397	LOCK NUT	6	M6	
36	H137815	CLAMP	6		
37	19M7862	SCREW	6	M6 X 20	
38	AH149356	HALF SHEAVE	1		
..	H137817	STRIPPER	2		
..	BH81191	COMPLETE GOODS/SHIP. BUNDLE	1	SLOW SPEED FAN DRIVE	

4G17

DRIVES

FAN DRIVE SPEED CONTROL LINKAGE

HP7550 -UN-16AUG99



HP7550

4G18

DRIVES

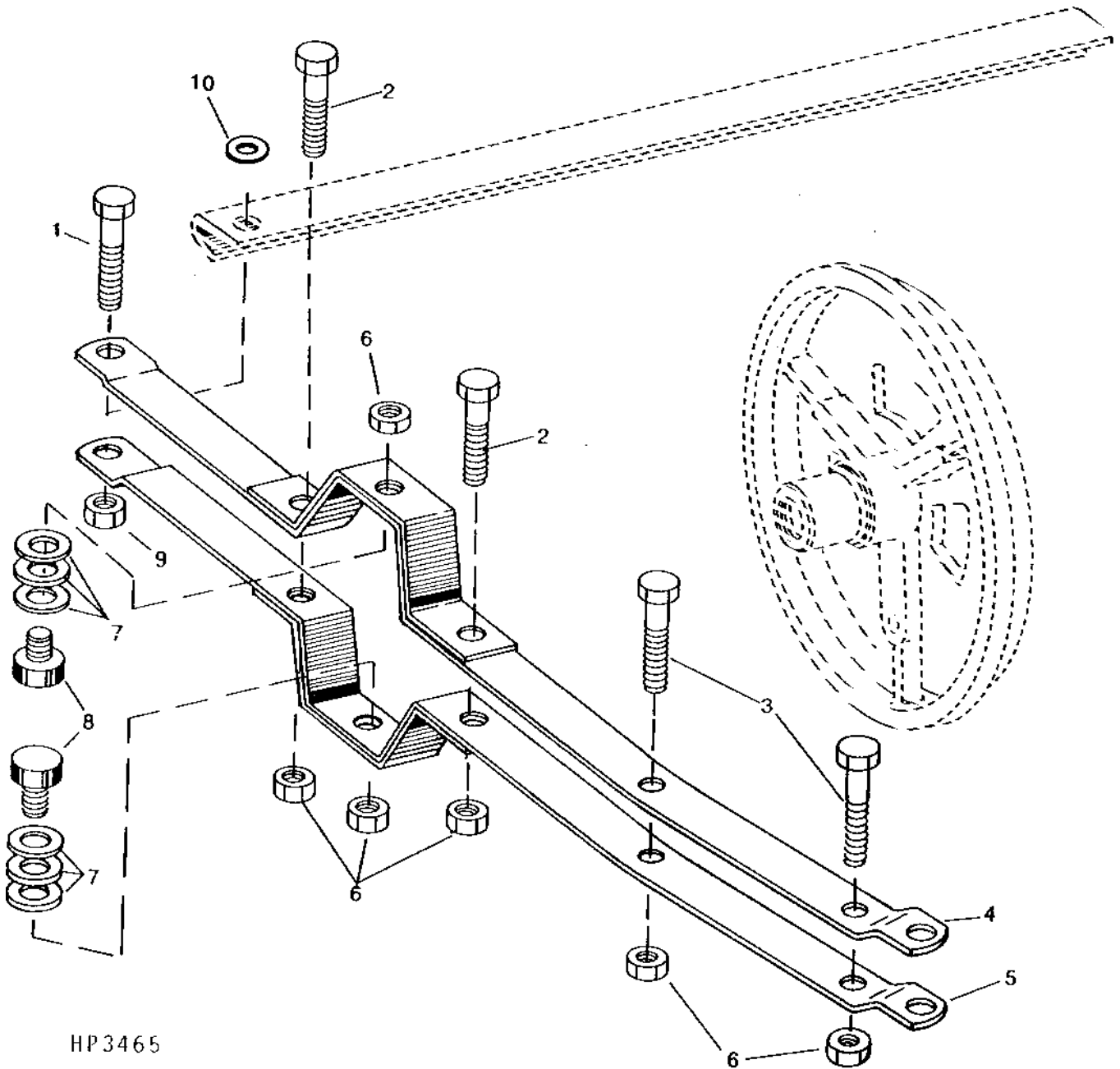
FAN DRIVE SPEED CONTROL LINKAGE - CONTINUED

KEY	PART NO.	PART NAME	QTY	SERIAL NO.	REMARKS
1	AH128384	SHAFT	1		
2	14M7382	NUT	4	M16	
3	H140397	THRUST WASHER	3		
4	H133199	TRUNNION	1		
5	AH143904	SUPPORT	1		
6	H25099	SNAP RING	1		
7	H139132	SPACER	3		
8	19M8321	SCREW	3	M6 X 45	
9	14M7165	LOCK NUT	3	M6	
10	11M7059	COTTER PIN	1	3.200 X 20 MM	
11	45M7045	PIN	1	12 X 90 MM	
12	H89515	WASHER	1		
13	H91788	BUSHING	1		

4G19

DRIVES

FAN DRIVE SPEED CONTROL SHEAVE LINKAGE
HP3465 -UN-01JAN94



HP3465

4G20

DRIVES

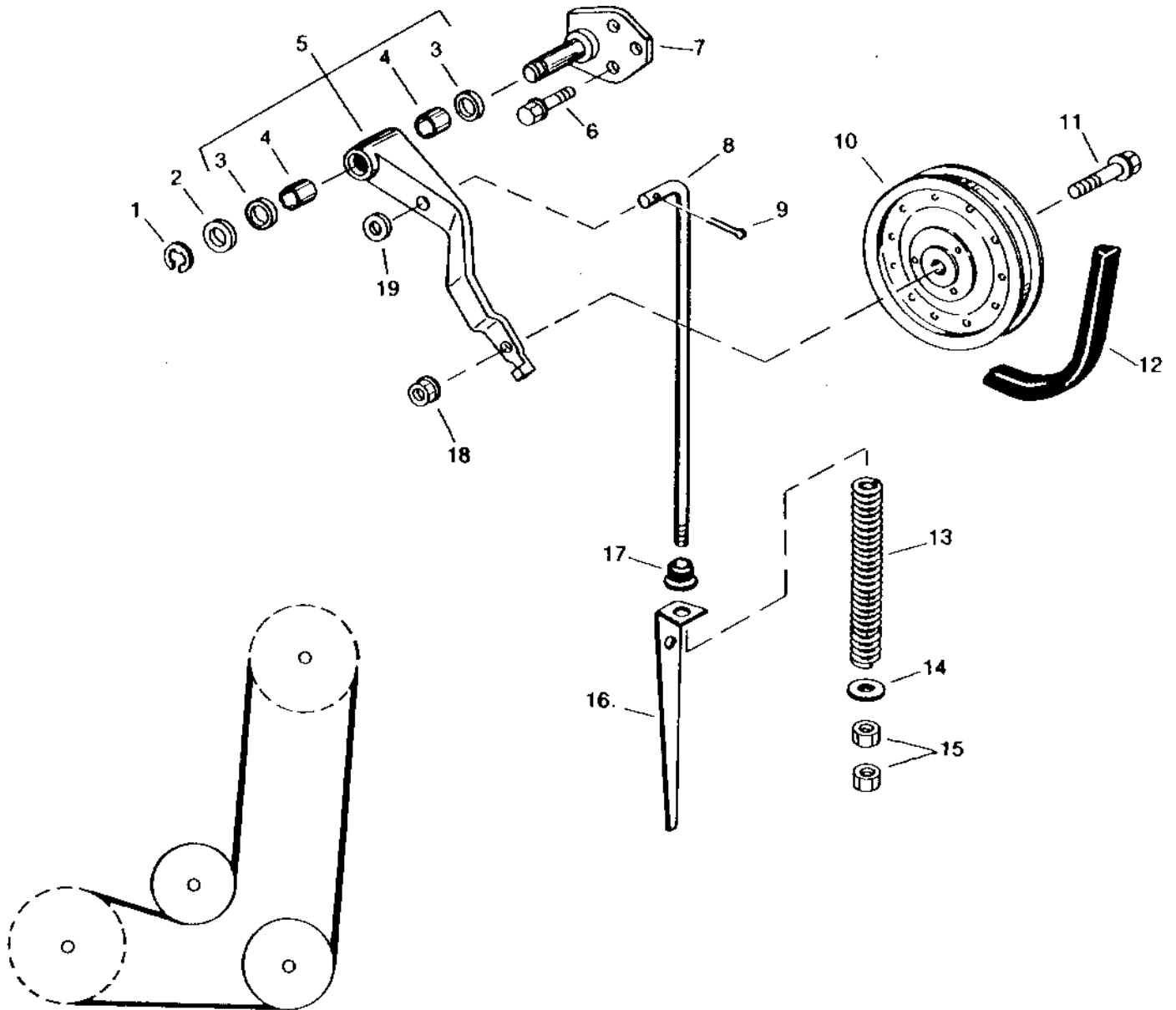
FAN DRIVE SPEED CONTROL SHEAVE LINKAGE - CONTINUED

KEY	PART NO.	PART NAME	QTY	SERIAL NO.	REMARKS
1	19M7868	SCREW	1		M8 X 30
2	19M7790	SCREW	2		M12 X 35
3	19M7788	SCREW	2		M12 X 25
4	AH134729	ARM	1		
5	AH134730	ARM	1		
6	14M7299	FLANGE NUT	6		M12
7	24H1882	WASHER	6		17/32" X 3/4" X 0.060"
8	19M8169	SCREW	2		M12 X 30
9	14M7298	FLANGE NUT	1		M8
10	28H1511	WASHER	1		0.364" X 0.540" X 1/4"

4G21

FEEDER HOUSE DRIVE TIGHTENER

HP3469 -UN-01JAN94



HP3469

4G22

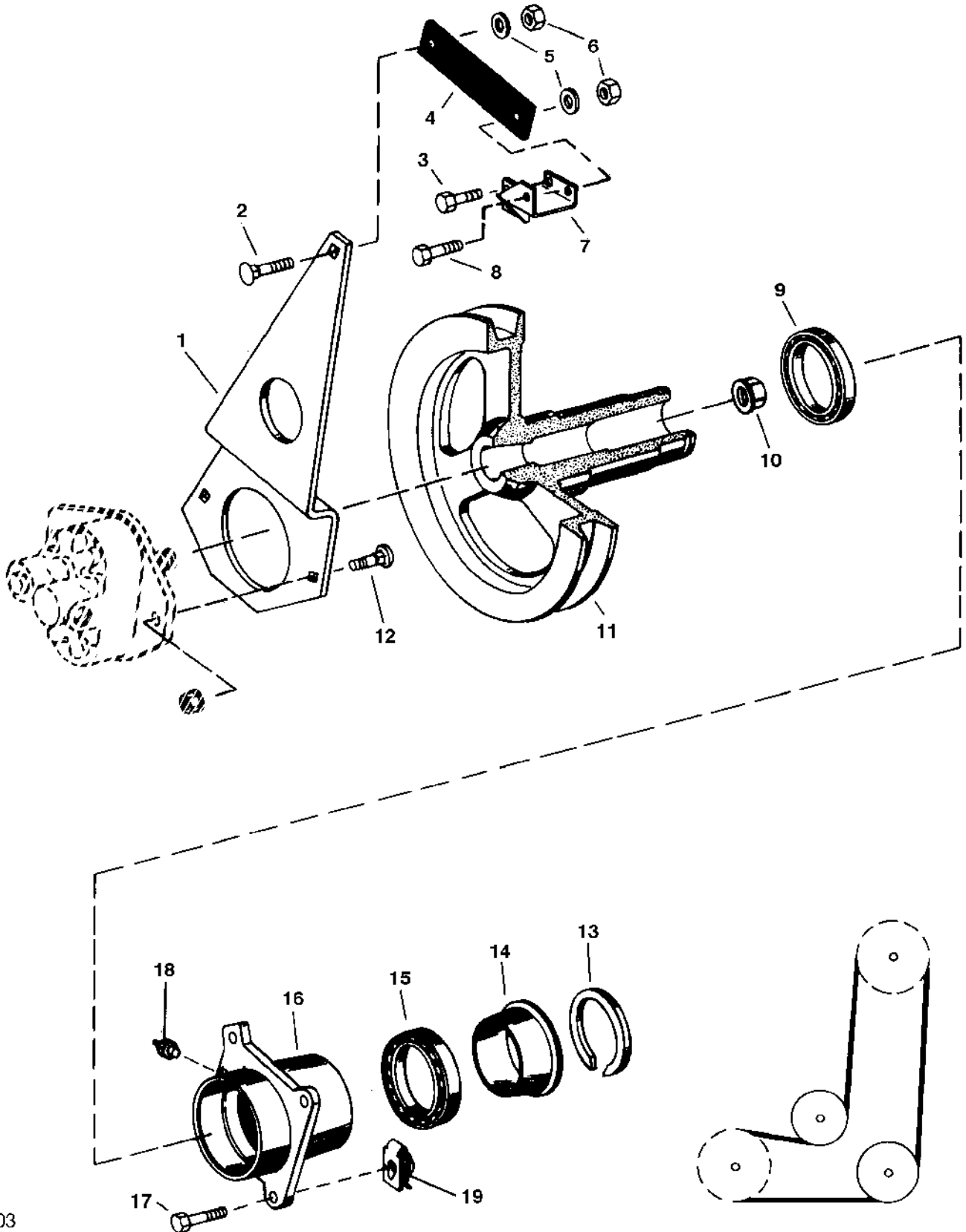
DRIVES

FEEDER HOUSE DRIVE TIGHTENER - CONTINUED

KEY	PART NO.	PART NAME	QTY	SERIAL NO.	REMARKS
1	P46402	SNAP RING	1		
2	24M7091	WASHER	1	26 X 44 X 4 MM	
3	AA5607R	SEAL	2		
4	H99147	BUSHING	2	(SUB H171061)	
	H171061	BEARING	2		
5	AH128903	ARM	1		
6	19M7784	SCREW	3	M10 X 20	
7	AH156051	SPRING PIN	1		
8	H126169	BOLT	1		
9	11M7028	COTTER PIN	1	5 X 32 MM	
10	AH94450	IDLER	1		
11	19M8046	CAP SCREW	1	M16 X 70	
12	H151952	BELT	1		
13	N61654	SPRING	1		
14	24H1373	WASHER	1	21/32" X 1-9/16" X 0.180"	
15	14M7276	NUT	2	M16	
16	H116862	GAUGE	1		
17	H129208	PIVOT	1		
18	14M7291	FLANGE NUT	1	M16	
19	24M7053	WASHER	1	17 X 30 X 3 MM	

4G23

REEL / BELT PICKUP CHARGE PUMP MOUNTING AND SHEAVE
HP6903 -UN-18AUG97



HP6903

4G24

DRIVES

REEL / BELT PICKUP CHARGE PUMP MOUNTING AND SHEAVE - CONTINUED

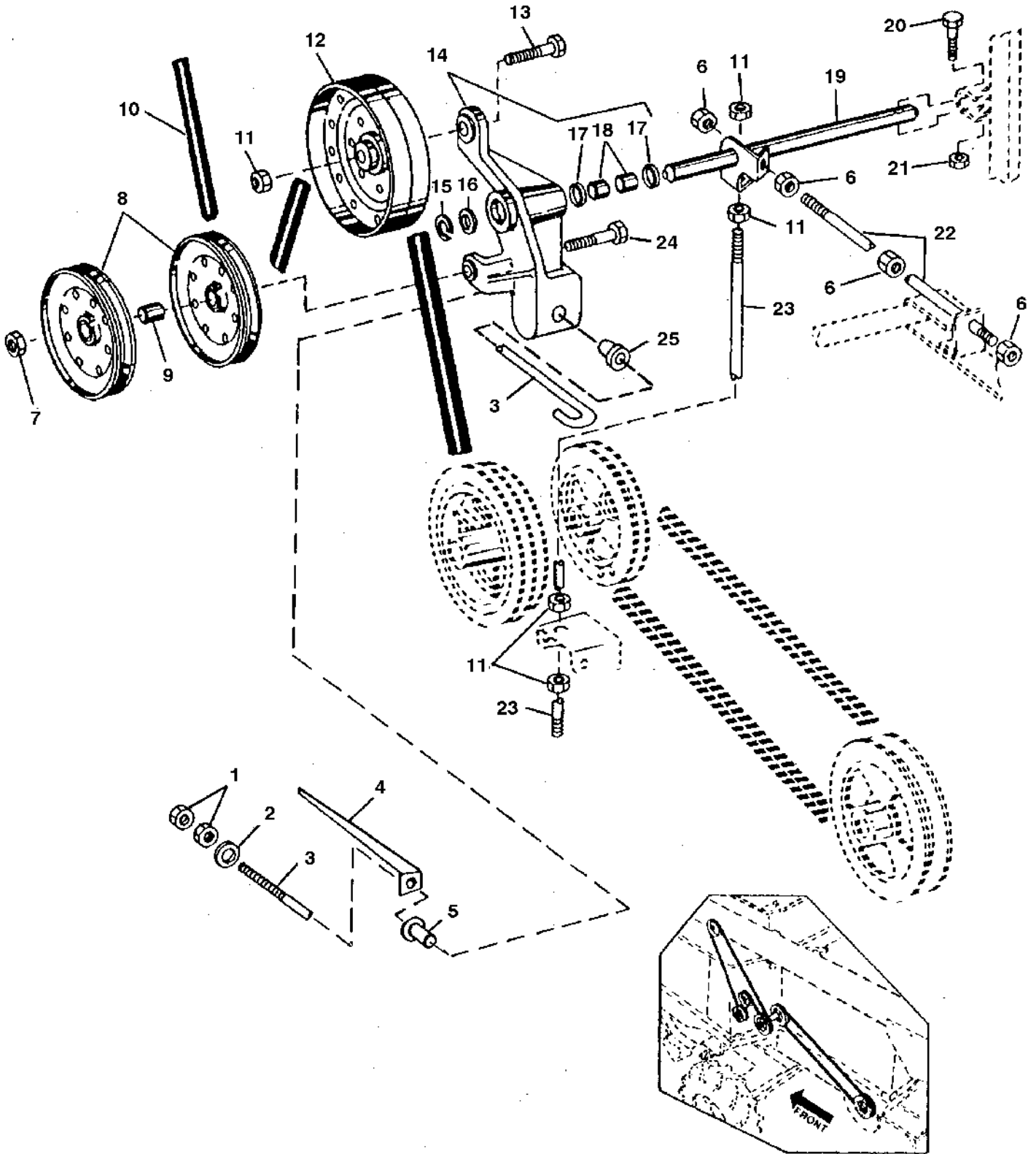
KEY	PART NO.	PART NAME	QTY	SERIAL NO.	REMARKS
1	H128098	ARM	1		
2	03M7185	BOLT	1	M8 X 25	
3	19M7865	SCREW	4	M8 X 16 (NOT FOR USE WITH MUDSHIELD)	
4	H78340	STRAP	1		
5	24M7207	WASHER	2	8.400 X 24 X 2 MM	
6	14M7396	LOCK NUT	2	M8	
7	H128111	BRACKET	1		NOT FOR USE WITH MUDSHIELD
8	19M7867	SCREW	1	M8 X 25	
9	JD10312	BALL BEARING	1		
10	E59406	FLANGE NUT	1	3/8"	
11	H132937	SHEAVE	1		
12	03M7186	BOLT	2	M8 X 30	
13	BP13616	SNAP RING	1		
14	B2984R	PLUG	1		
15	AZ20216	BALL BEARING	1		
16	H132938	HUB	1		
17	19M7785	SCREW	4	M10 X 25	
18	JD7788	LUBRICATION FITTING	1		
19	H146457	NUT	4	10 MM (0.394")	

4H1

DRIVES

STRAW CHOPPER DRIVES (FRONT)

HP6904 -UN-12SEP97



HP6904

4H2

DRIVES

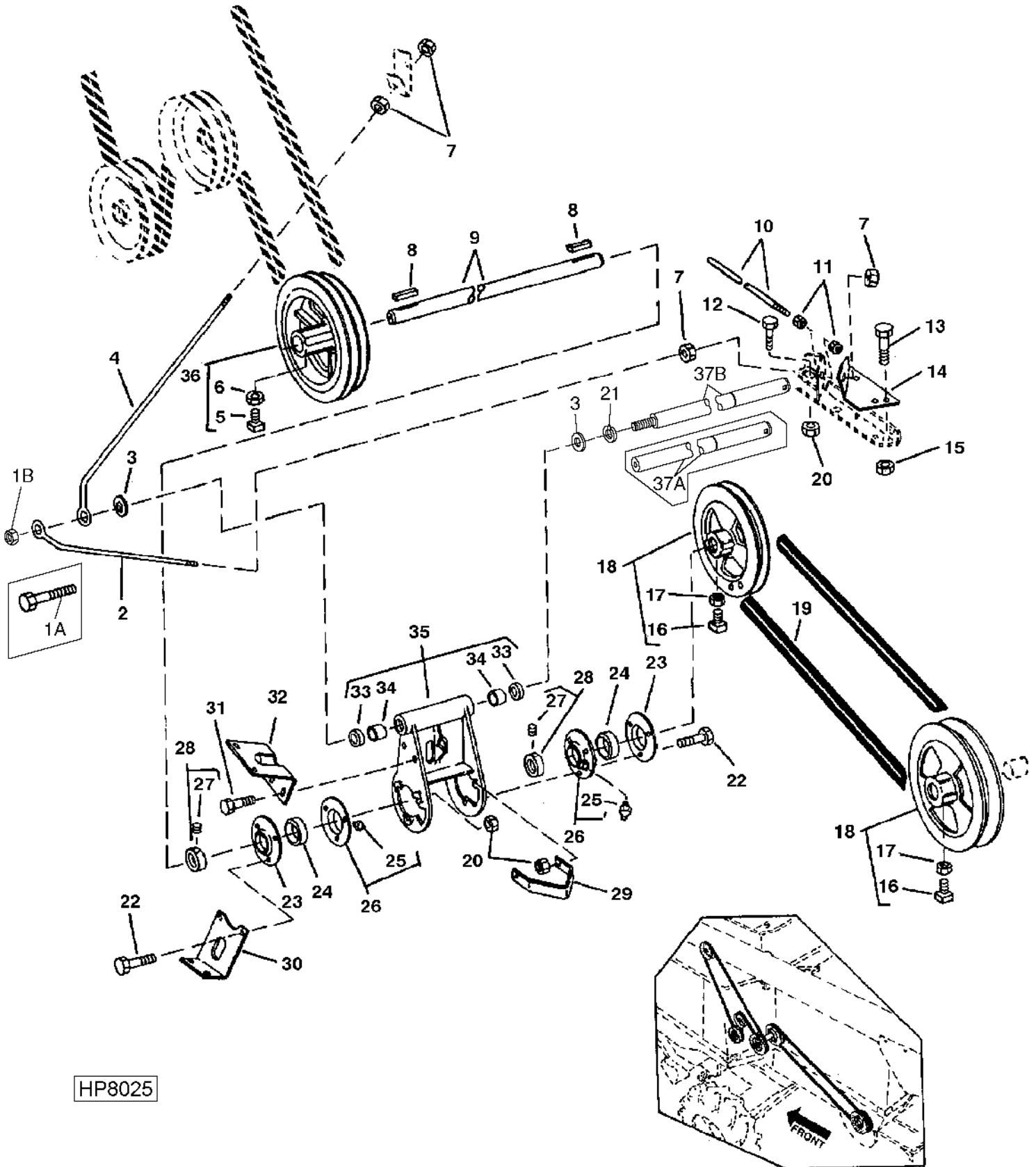
STRAW CHOPPER DRIVES (FRONT) - CONTINUED

KEY	PART NO.	PART NAME	QTY	SERIAL NO.	REMARKS
1	14M7275	NUT	2	M12	
	14M7276	NUT	2	M16	
2	24M7180	WASHER	1	13 X 37 X 3 MM	
	24H1106	WASHER	1	11/16" X 1-3/4" X 0.134"	
3	H141673	BOLT	1	(USE WITH AH135342)	
4	H140944	GAUGE	1		
5	H129208	PIVOT	1	(USE WITH H141673)	
6	14M7276	NUT	4	M16	
7	14M7291	FLANGE NUT	1	M16	
8	AN15237	IDLER	2		
9	P50273	BUSHING	1		
10	H125380	BELT	1		
11	14M7299	FLANGE NUT	5	M12	
12	AH93318	IDLER	1		
13	19M7818	SCREW	1	M12 X 80	
14	AH135342	ARM	1	REQUIRES H141673,H129208,H140944, 14M7276 AND 24H1106	
15	P46402	SNAP RING	1		
16	24M7091	WASHER	1	26 X 44 X 4 MM	
17	AA5607R	SEAL	2		
18	H99147	BUSHING	2	(SUB H171061)	
	H171061	BEARING	2		
19	AH134319	PIN	1		
20	19M8292	SCREW	1	M10 X 50	
21	14M7296	FLANGE NUT	1	M10	
22	H139545	STUD	1		
23	H120198	STUD	1		
24	19M7828	SCREW	1	M16 X 100	
25	H129208	PIVOT	1		
..	BH79486	COMPLETE GOODS/SHIP. BUNDLE	1	STRAW CHOPPER PARTS	
..	BH80124	COMPLETE GOODS/SHIP. BUNDLE	1	STRAW CHOPPER WITH DRIVES	
..	BH80153	COMPLETE GOODS/SHIP. BUNDLE	1	CORN CHOPPER WITH DRIVES	

4H3

STRAW CHOPPER DRIVES (REAR)

HP8025 -UN-30NOV98



HP8025

4H4

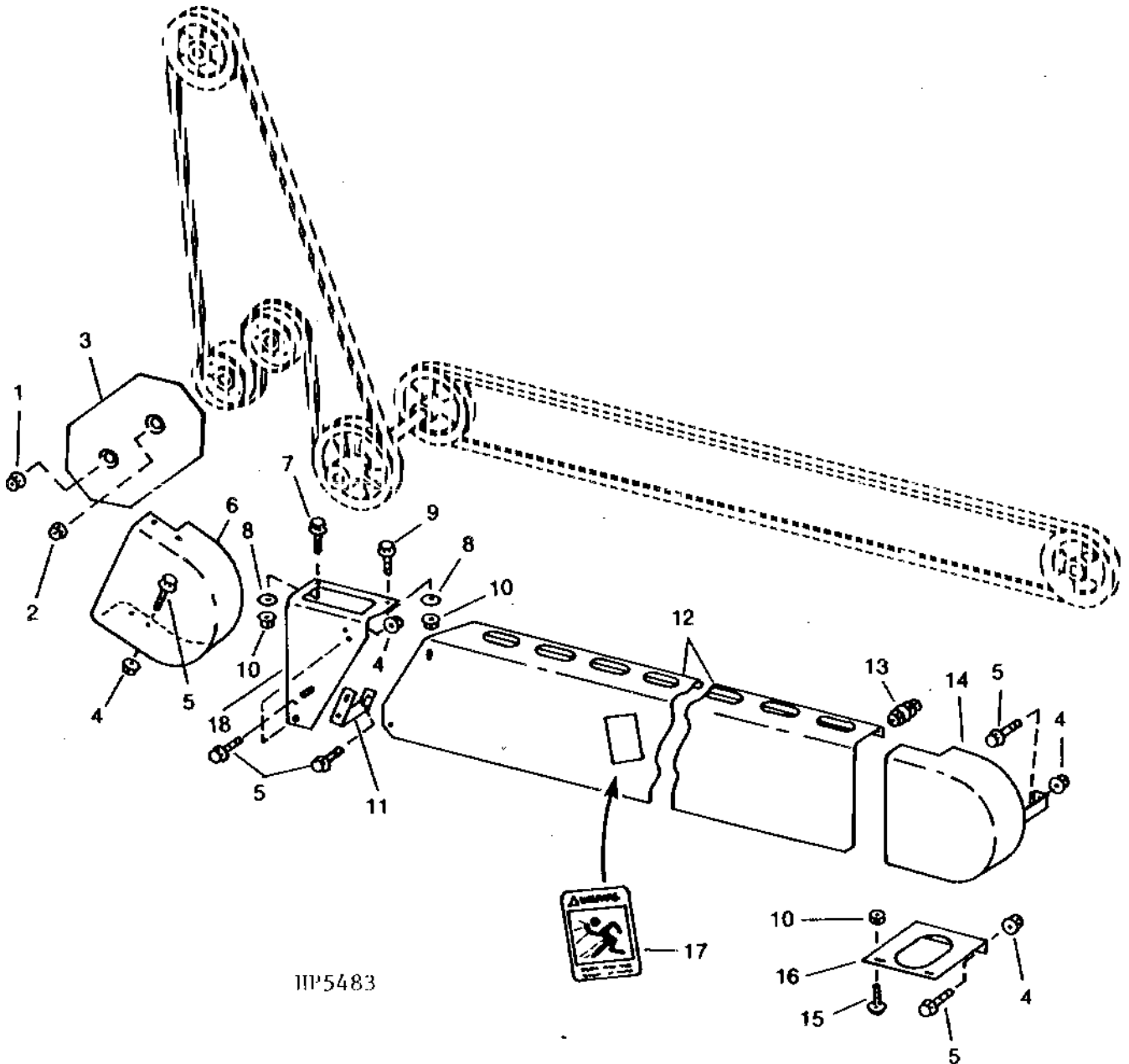
DRIVES

STRAW CHOPPER DRIVES (REAR) - CONTINUED

KEY	PART NO.	PART NAME	QTY	SERIAL NO.	REMARKS
1A	19M7815	SCREW	1		M12 X 60
1B	W39621	NUT	1		M16
2	H127907	EYEBOLT	1	-680179	
	H164755	EYEBOLT	1	680180-	
3	24M7091	WASHER	2		26 X 44 X 4 MM
4	H127906	EYEBOLT	1	-680179	
	H164754	EYEBOLT	1	680180-	
5	H138435	SET SCREW	2		M10 X 25
6	14M7152	NUT	2		M10
7	14M7291	FLANGE NUT	4		M16
8	H2383H	KEY	2		
9	H137570	JACKSHAFT	1		
10	H139545	STUD	1		
11	14M7276	NUT	2		M16
12	19M7866	SCREW	1		M8 X 20
13	19M7867	SCREW	2		M8 X 25
14	H133812	SUPPORT	1		
15	14M7298	FLANGE NUT	2		M8
16	H138435	SET SCREW	4		
17	14M7152	NUT	4		M10
18	AH119770	SHEAVE	2		
19	H27433	BELT	1		
	E46113	BELT	1		
20	14M7296	FLANGE NUT	6		M10
21	P43363	SNAP RING	1		
22	19M8162	CAP SCREW	6		M10 X 40
23	H135410	PRESSED FLANGED HOUSING	2		
24	JD39104	BALL BEARING	2		
25	JD7797	LUBRICATION FITTING	2		
26	AE30624	PRESSED FLANGED HOUSING	2	-680213	
	AH163686	PRESSED FLANGED HOUSING	2	680214-	
27	22M7081	SET SCREW	2		M10 X 10
28	AH133191	ECCENTRIC LOCKING COLLAR	2		
29	H129125	STRAP	1		
30	H132976	BRACKET	1		
31	19M7865	SCREW	2		M8 X 16
32	H132901	BRACKET	1		
33	AA5607R	SEAL	2		
34	H99147	BUSHING	2		(SUB H171061)
	H171061	BEARING	2		
35	AH136126	ARM	1		(SUB AH169220)
	AH169220	ARM	1		
36	AH127602	SHEAVE	1		
37A	H120194	PIN	1		(SUB H164756 AND W39621)
37B	H164756	PIN	1		
..	BH80153	COMPLETE GOODS/SHIP. BUNDLE	1		CORN CHOPPER WITH DRIVES
..	BH79571	COMPLETE GOODS/SHIP. BUNDLE	1		STRAW CHOPPER WITH DRIVES

4H5

STRAW CHOPPER DRIVE SHIELDS
HP5483 -UN-01JAN94



4H6

DRIVES

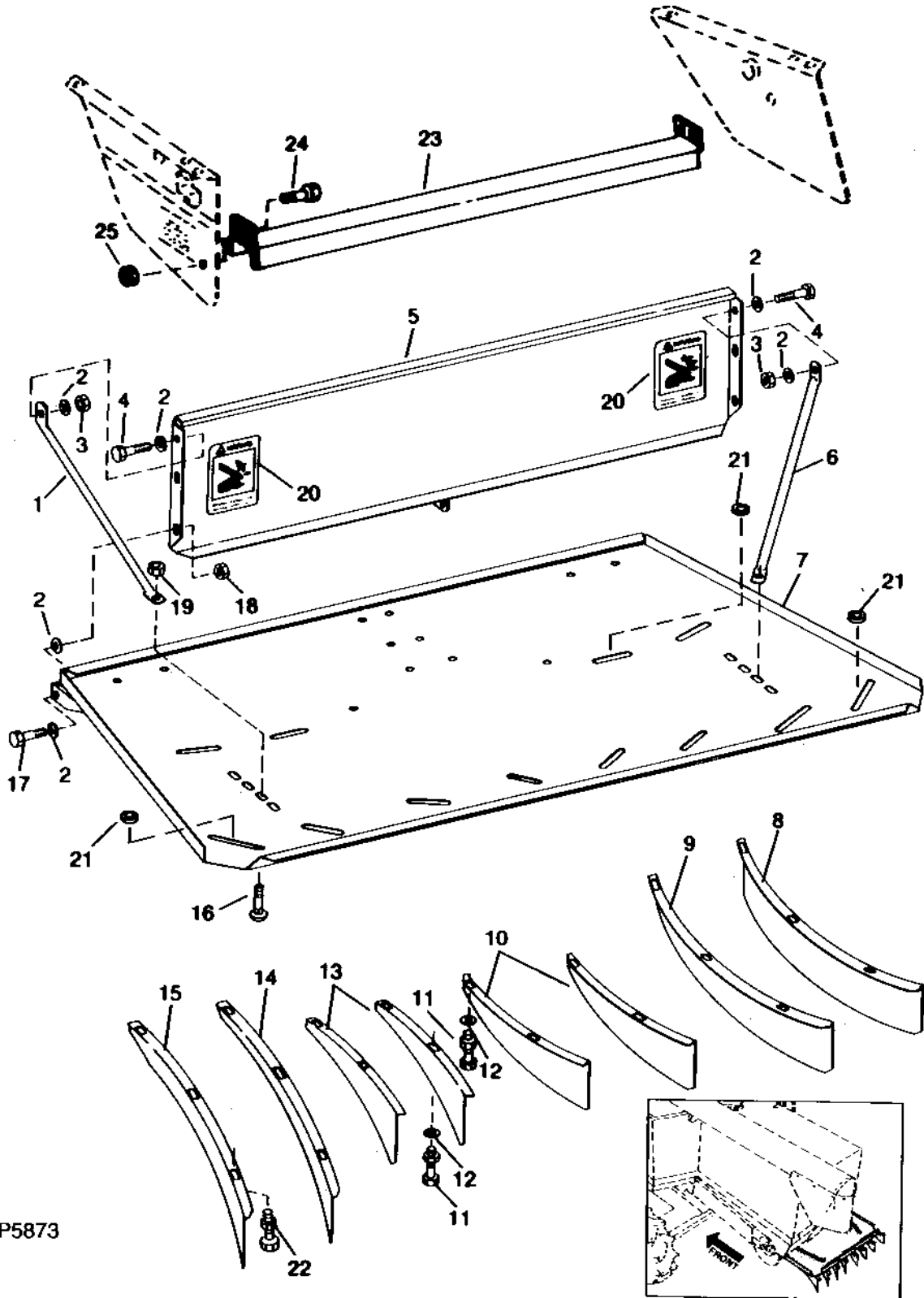
STRAW CHOPPER DRIVE SHIELDS - CONTINUED

KEY	PART NO.	PART NAME	QTY	SERIAL NO.	REMARKS
1	14M7291	FLANGE NUT	1	M16	
2	14M7299	FLANGE NUT	1	M12	
3	AH147353	SHIELD	1	(SUB AH167132)	
	AH167132	SHIELD	1		
4	14M7298	FLANGE NUT	10	M8	
5	19M7865	SCREW	11	M8 X 16	
6	H132902	CAP	1		
7	19M7866	SCREW	1	M8 X 20	
8	24M7238	WASHER	2	8.700 X 17 X 2 MM, (USED ON STRAW SPREADER)	
	24M7207	WASHER	AR	8.400 X 24 X 2 MM, (USED ON LINE STRAW CHOPPER)	
9	19M7867	SCREW	1	M8 X 25	
10	14M7273	NUT	2	M8	
11	H141060	BRACKET	1		
12	H141100	SHIELD	1		
13	19M7865	SCREW	5	M8 X 16	
	24M7207	WASHER	5	8.400 X 24 X 2 MM	
	14M7273	NUT	5	M8	
14	AH130592	CAP	1		
15	03M7183	BOLT	2	M8 X 16	
16	H134652	BRACKET	1		
17	H149096	LABEL	1	"PROJECTILE WARNING" ON R.H. REAR HOOD	
18	H141059	SUPPORT	1		
..	BH80124	COMPLETE GOODS/SHIP. BUNDLE	1	STRAW CHOPPER	

4H7

DRIVES

STRAW CHOPPER DECK, SUPPORTS AND FINNS
HP5873 -UN-14OCT94



HP5873

4H8

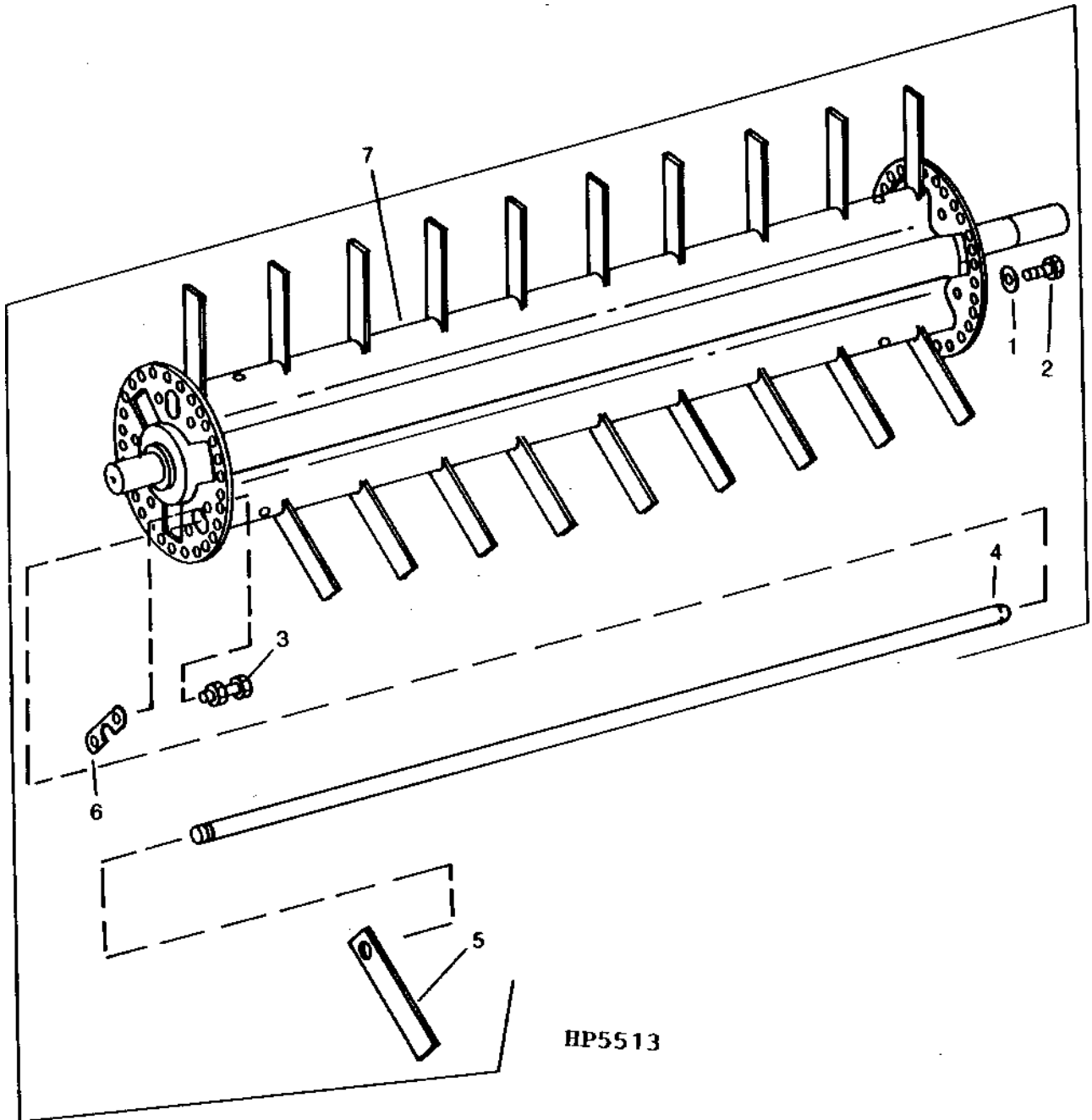
DRIVES

STRAW CHOPPER DECK, SUPPORTS AND FINS - CONTINUED

KEY	PART NO.	PART NAME	QTY	SERIAL NO.	REMARKS
1	H126335	PIPE	1		
	H151182	PIPE	1		FOR WIDE SPREAD STRAW CHOPPER
2	H126334	LOCK WASHER	2		
3	14M7400	LOCK NUT	2	M10	
4	19M7835	SCREW	2	M10 X 35	
5	AH139791	SHEET	1		
	AH144478	SHEET	1		FOR WIDE SPREAD STRAW CHOPPER
6	H126336	PIPE	1		
	H151181	PIPE	1		FOR WIDE SPREAD STRAW CHOPPER
7	AH137792	SUPPORT	1		
8	H130949	VANE	1		
	H150401	DEFLECTOR	1		
9	H114535	VANE	1		
	H150401	DEFLECTOR	1		
10	H114537	VANE	2		
	H150403	DEFLECTOR	1		
11	03M7183	BOLT	16	M8 X 16	
	14M7396	LOCK NUT	16	M8	
12	24M7207	WASHER	16	8.400 X 24 X 2 MM	
13	H114538	VANE	2		
	H150404	DEFLECTOR	1		FOR WIDE SPREAD STRAW CHOPPER
14	H114536	VANE	1		
	H150402	DEFLECTOR	1		FOR WIDER SPREAD STRAW CHOPPER
15	H130948	VANE	1		
	H150402	DEFLECTOR	1		FOR WIDE SPREAD STRAW CHOPPER
16	03M7191	BOLT	2	M10 X 25	
17	19M7167	CAP SCREW	2	M10 X 25	
18	14M7400	LOCK NUT	1	M10	
19	14M7296	FLANGE NUT	1	M10	
20	H149102	DECAL	2		"WARNING" CHOPPER POSITION WIDE SPREAD CHOPPER - LABEL LOCATED ON REAR OF COMBINE HOOD
21	H128083	WASHER	3	9 X 50.800 X 5 MM (0.354" X 2" X 0.197")	
22	03M7184	BOLT	3	M8 X 20, USED WITH H128083 WASHER	
	14M7396	LOCK NUT	3	M8	
23	H150408	SHEET	1		
24	19M7866	SCREW	4	M8 X 20	
25	14M7298	FLANGE NUT	4	M8	
..	BH80153	COMPLETE GOODS/SHIP. BUNDLE	1		CORN CHOPPER WITH DRIVES
..	BH80124	COMPLETE GOODS/SHIP. BUNDLE	1		STRAW CHOPPER WITH DRIVES
..	BH81040	COMPLETE GOODS/SHIP. BUNDLE	1		WIDE SPREAD STRAW CHOPPER

4H9

TRI ROTOR STRAW CHOPPER
HP5513 -UN-01JAN94



HP5513

4H10

DRIVES

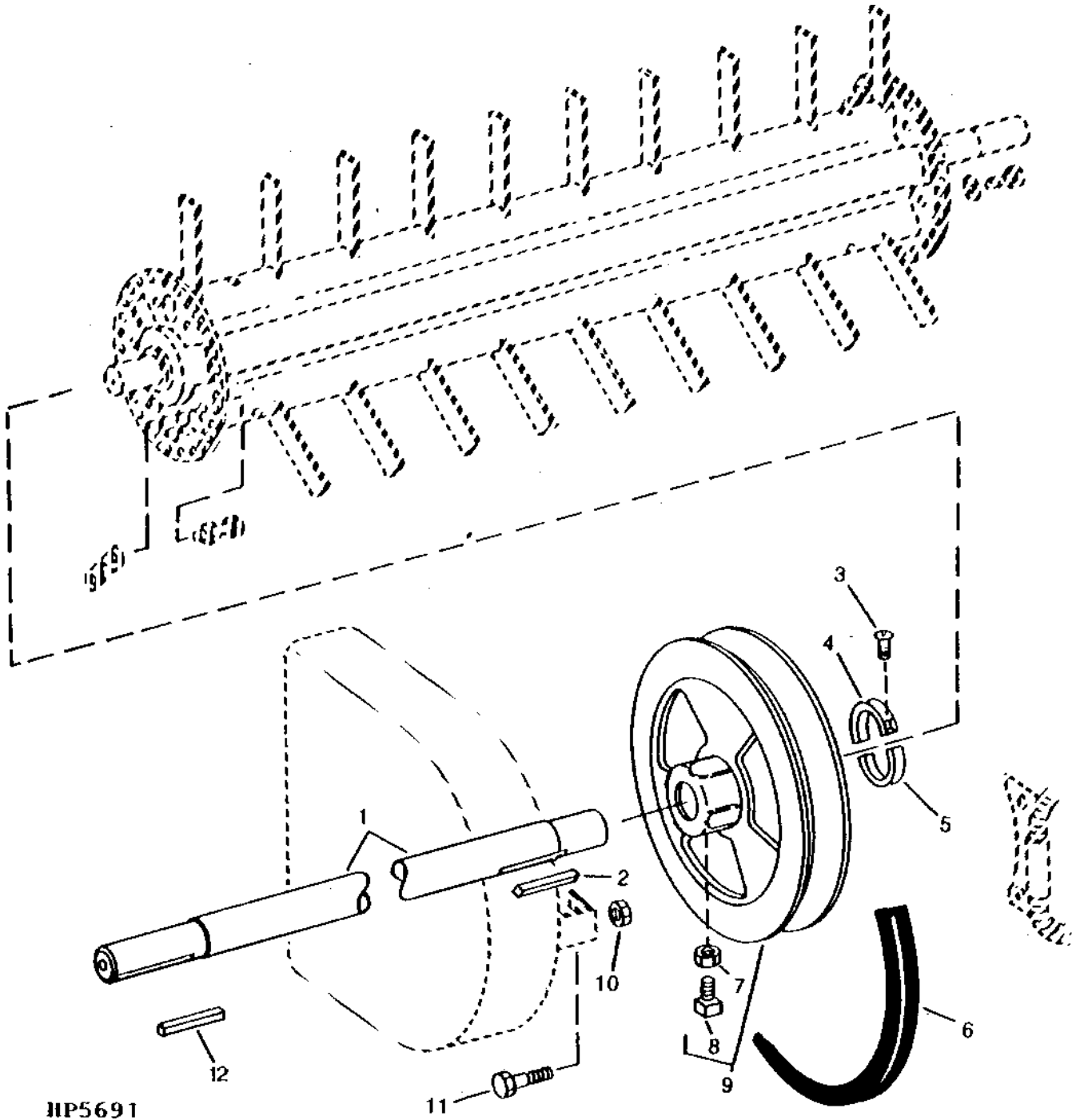
TRI ROTOR STRAW CHOPPER - CONTINUED

KEY	PART NO.	PART NAME	QTY	SERIAL NO.	REMARKS
1	H128080	WASHER	AR	9 X 19 X 1.5	
	H128081	WASHER	AR	9 X 31.8 X 1.5	
	H128082	WASHER	AR	9X 34.9 X 3	
	H128083	WASHER	AR	9 X 50.8 X 5	
	H147304	WASHER	AR	9 X 34.9 X 5	
2	H147302	BOLT	AR	3/4"	
	H128357	CAP SCREW	AR	1"	
	H128358	CAP SCREW	AR	1-1/4"	
	H128359	CAP SCREW	AR	1-1/2"	
3	H128357	CAP SCREW	AR		
	H143332	LOCK NUT	13		
4	H139600	PIN	3		
5	AH124635	BLADE	1	SET OF 6 BLADES	
	AH128359	BLADE	1	SET OF 36 BLADES	
6	H146414	RETAINER	3		
7	AH143426	ROTOR	1		
..	BH80124	COMPLETE GOODS/SHIP. BUNDLE	1	STRAW CHOPPER WITH DRIVES	

4H11

DRIVES

STRAW CHOPPER ROTOR AND SHEAVE
HP5691 -UN-01JAN94



HP5691

4H12

DRIVES

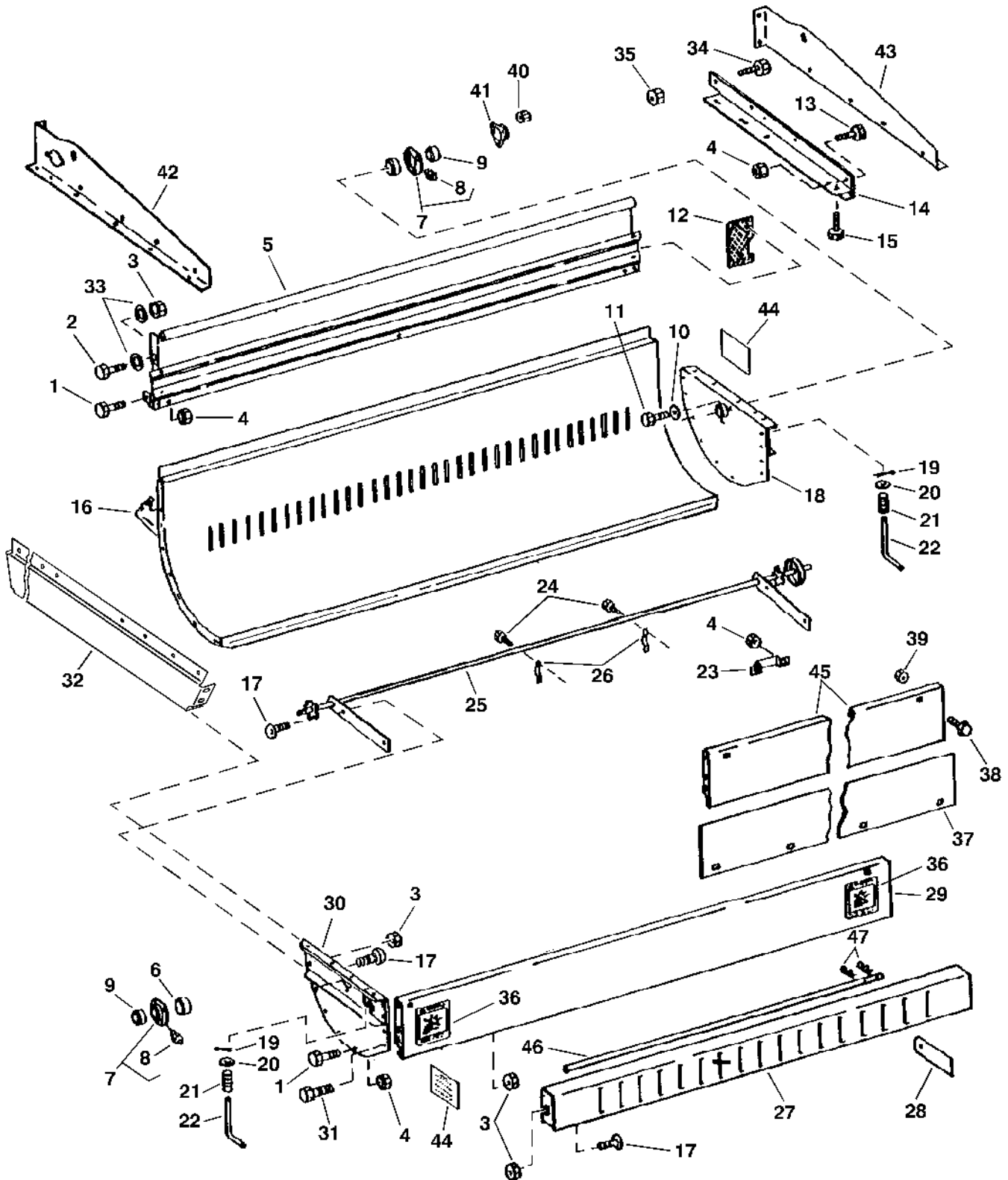
STRAW CHOPPER, ROTOR AND SHEAVE - CONTINUED

KEY	PART NO.	PART NAME	QTY	SERIAL NO.	REMARKS
1	H145275	SHAFT	1		
2	H64375	SHAFT KEY	2		6 X 304 MM (1/4 X 12 IN.)
3	H168924	SCREW	1		0.190" X 1"
4	H104794	ACTUATOR	1		
5	H104793	ACTUATOR	1		
6	H125381	BELT	1		
	H23950	BELT	1		
7	14M7152	NUT	1		M10
8	H138435	SET SCREW	2		
9	AH119770	SHEAVE	2		
10	14M7298	FLANGE NUT	1		M8
11	19M7865	SCREW	1		M8 X 16
12	H64375	SHAFT KEY	1		7 X 304 MM (5/16 X 12 IN.)

4H13

DRIVES

STRAW CHOPPER HOUSING AND KNIFEBANK
HP7128 -UN-07OCT97



HP7128

4H14

DRIVES

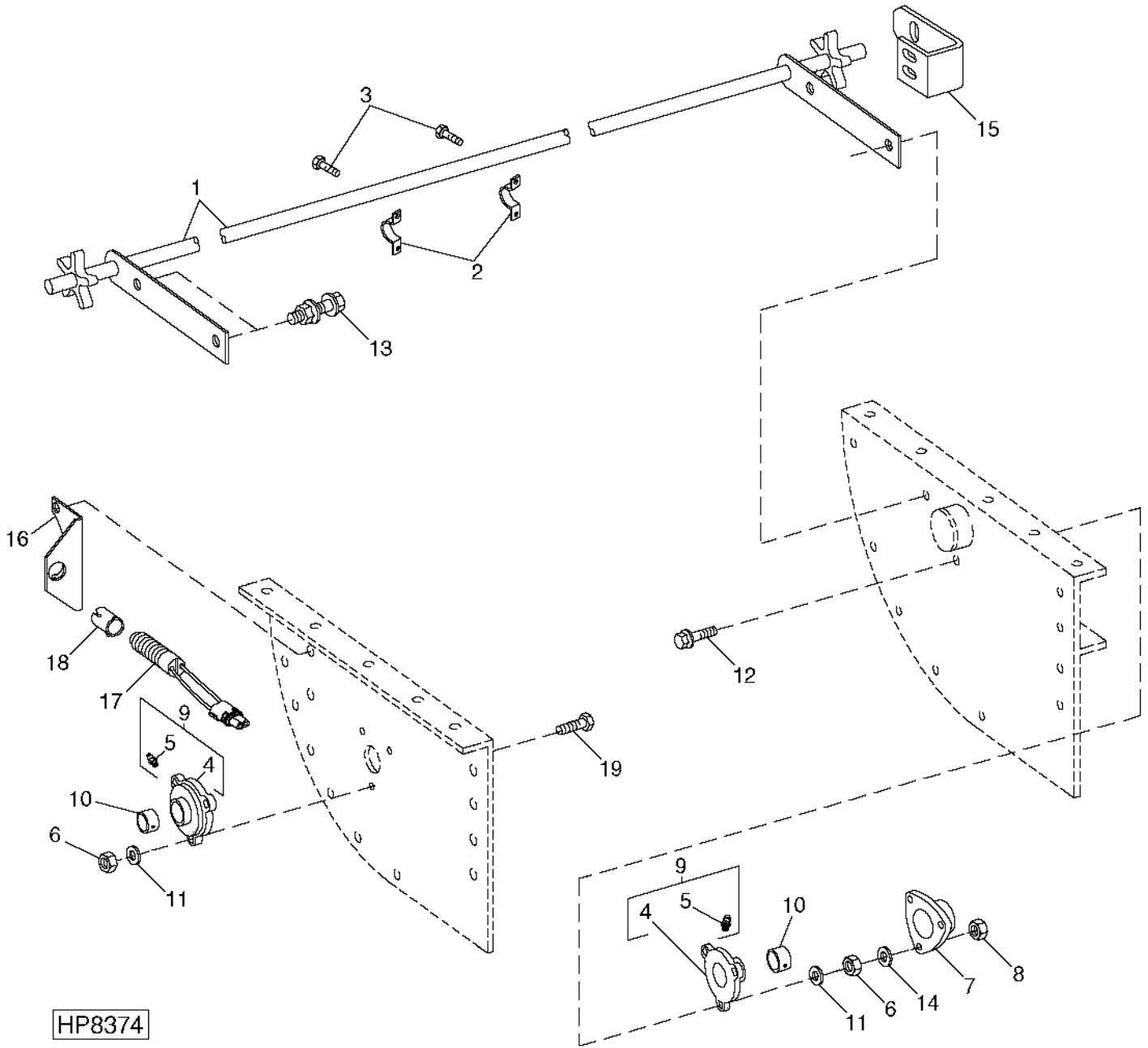
STRAW CHOPPER HOUSING AND KNIFEBANK - CONTINUED

KEY	PART NO.	PART NAME	QTY	SERIAL NO.	REMARKS
1	19M7866	SCREW	AR	M8 X 20	
2	19M7784	SCREW	AR	M10 X 20	
3	14M7296	FLANGE NUT	AR	M10	
4	14M7298	FLANGE NUT	AR	M8	
5	AH142779	EXTENSION	1		
6	AH139260	BEARING	2		BEARING IS PART OF CAST HOUSING
7	AH126221	PRESSED FLANGED HOUSING	2		
8	JD7846	LUBRICATION FITTING	2		
9	JD8576	ECCENTRIC LOCKING COLLAR	2		
10	24M7239	WASHER	6		10.700 X 21 X 2.500 MM
11	19M7835	SCREW	3		
	19M7805	SCREW	3		
12	H131612	GUARD	2		
13	19M7867	SCREW	AR	M8 X 25	
14	AH139681	SUPPORT	1		R.H.
15	19M7786	SCREW	AR	M10 X 30	
16	AH143048	SHEET	1		(INCLUDES H149992, (29) H142141, (2) 11M7059, (2) 03M7191, (2) 14M7296, H149027 AND H149026)
17	03M7191	BOLT	AR	M10 X 25	
18	AH138157	SHEET	1		(SUB AH165936) R.H.
	AH165936	SHEET	1		R.H.
19	11M7059	COTTER PIN	2		3.200 X 20 MM
20	24H1341	WASHER	2		17/32" X 15/16" X 0.060"
21	B28970	SPRING	2		
22	H136179	PIN	2		
23	H85184	HANDLE	2		
24	03M7184	BOLT	4		M8 X 20
25	AH135837	DRIVE SPROCKET	1		
26	H84990	CLAMP	4		
27	AH140129	CHANNEL	1		(INCLUDES B27835)
28	H142141	KNIFE	29		
29	AH144478	SHEET	1		FOR WIDE SPREAD STRAW CHOPPER
30	AH138156	SHEET	1		(SUB AH165937) L.H.
	AH165937	SHEET	1		L.H.
31	19M7785	SCREW	AR	M10 X 25	
32	AH139682	SUPPORT	1		L.H.
33	H126334	LOCK WASHER	4		
34	19M7809	SCREW	4		M10 X 70
35	14M7400	LOCK NUT	4		M10
36	H149102	DECAL	2		"WARNING" CHOPPER POSITION
	H149103	DECAL	2		"WARNING" CHOPPER POSITION (FRENCH)
37	H146308	SHIELD	1		
38	03M7184	BOLT	9		
39	14M7298	FLANGE NUT	9		
40	14M7274	NUT	3		
41	H145319	COVER	1		
42	H139682	SUPPORT	1		L H
43	H139681	SUPPORT	1		R H
44	H145857	LABEL	2	-29SEP7	"WARNING" CHOPPER POSITION
	H165247	LABEL	2	29SEP7-	CHOPPER POSITION - ON BOTH SIDES
	H145858	LABEL	1		"WARNING" CHOPPER POSITION (FRENCH)
45	H145778	RAIL	2		FRONT AND REAR
46	H141135	PIN	1		
47	11M7059	COTTER PIN	2		
..	BH80153	COMPLETE GOODS/SHIP. BUNDLE	1		CHOPPER WITH DRIVES

4H15

STRAW CHOPPER DRIVE SPROCKETS

HP8374 -UN-23JUL99



HP8374

4H16

DRIVES

STRAW CHOPPER DRIVE SPROCKETS - CONTINUED

KEY	PART NO.	PART NAME	QTY	SERIAL NO.	REMARKS
1	AH135837	DRIVE SPROCKET	1		
2	H84990	CLAMP	2		
3	03M7184	BOLT	2	M8 X 20	
4	JD10387	BALL BEARING	2		
5	JD7844	LUBRICATION FITTING	2		
6	A51212	LOCK NUT	1		
7	H145319	COVER	1		
8	14M7274	NUT	3	M10	
9	AH139260	BEARING	2		
10	JD8576	ECCENTRIC LOCKING COLLAR	2		
11	24M7239	WASHER	6	10.700 X 21 X 2.500 MM	
12	19M7805	SCREW	6	M10 X 45	
13	19M7867	SCREW	4	M8 X 25	
	14M7298	FLANGE NUT	4	M8	
14	24M7028	WASHER	3	10.500 X 20 X 2 MM	
15	H141388	SHIELD	1		
16	H165243	BRACKET	1		
17	AH116104	SENSOR	1		
18	H160880	CLIP	1		
19	19M7835	SCREW	3		
..	BH80124	COMPLETE GOODS/SHIP. BUNDLE	1	CHOPPER WITH DRIVES	

4H17

DRIVES

METRIC KEY STOCK KIT

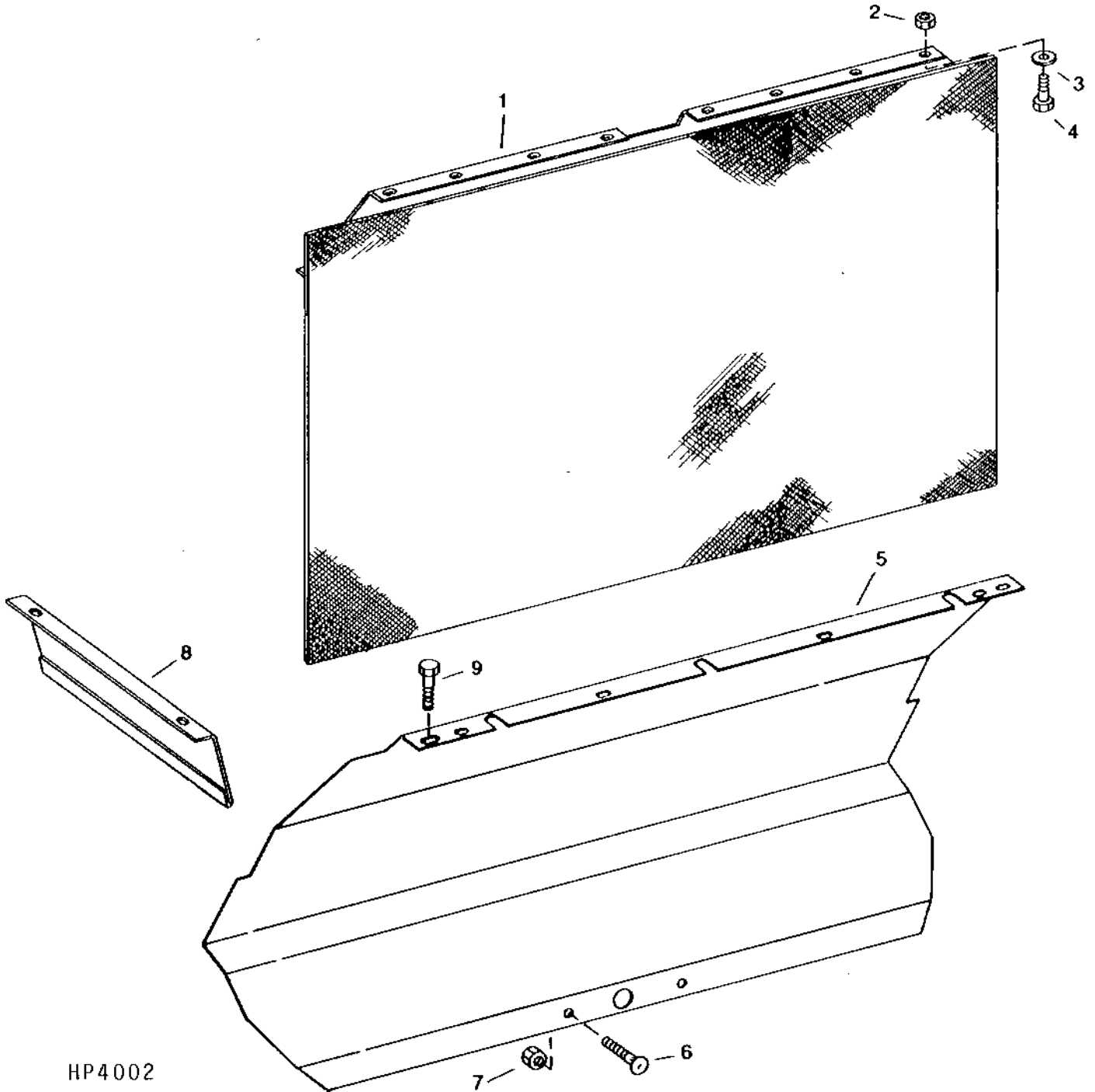
KEY	PART NO.	PART NAME	QTY	SERIAL NO.	REMARKS
..	SHAFT KEY	3		5 X 305MM SQUARE (IN AH141142 KEY STOCK KIT) (CUT FROM H150267)
..	SHAFT KEY	3		6 X 305MM SQUARE (IN AH141142 KEY STOCK KIT) (CUT FROM H150268)
..	SHAFT KEY	1		8 X 305MM SQUARE (IN AH141142 KEY STOCK KIT) (CUT FROM H150275)
..	SHAFT KEY	2		8 X 7 X 305MM RECTANGULAR (IN AH141142 KEY STOCK KIT) (CUT FROM H150269)
..	SHAFT KEY	1		10 X 8 X 305 MM RECTANGULAR (IN AH141142 KEY STOCK KIT) (CUT FROM H150270)
..	SHAFT KEY	1		12 X 8 X 305MM RECTANGULAR (IN AH141142 KEY STOCK KIT) (CUT FROM H150271)
..	SHAFT KEY	1		14 X 8 X 305MM RECTANGULAR (IN AH141142 KEY STOCK KIT) (CUT FROM H150272)
..	AH141142	SHAFT KEY	1		

MEMORANDA

4H20

RESIDUE DISPOSAL

CORN CURTAIN AND DEFLECTORS (OPTIONAL)
HP4002 -UN-01JAN94



HP4002

4H21

RESIDUE DISPOSAL

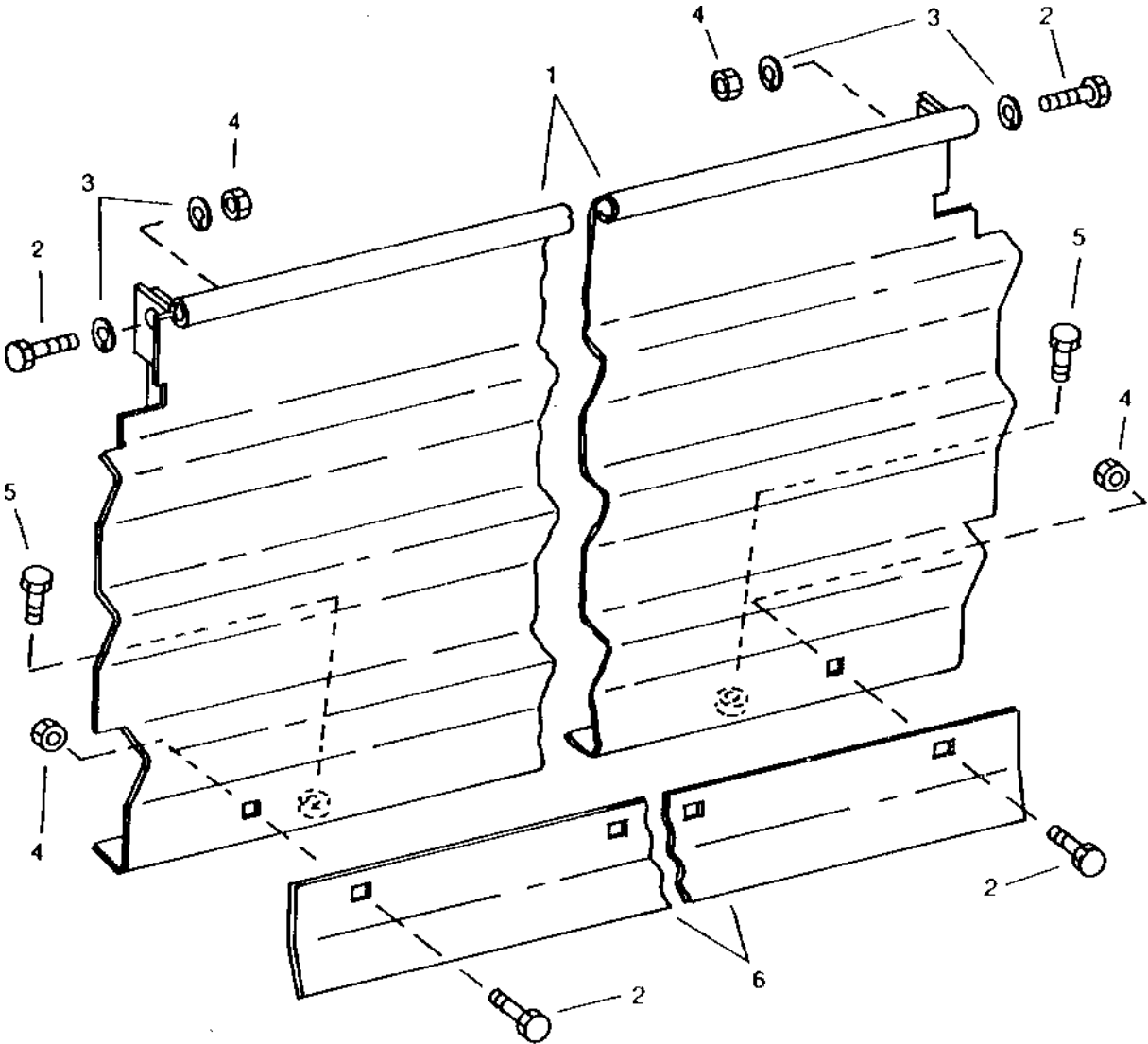
CORN CURTAIN AND DEFLECTORS (OPTIONAL) - CONTINUED

KEY	PART NO.	PART NAME	QTY	SERIAL NO.	REMARKS
1	AH117265	SUPPORT	1		CORN ONLY
2	14M7298	FLANGE NUT	8		M8
3	24M7207	WASHER	2		8.400 X 24 X 2 MM
4	19M7865	SCREW	14		M8 X 16
5	H137403	DEFLECTOR	1		CORN ONLY
6	03M7183	BOLT	2		M8 X 16
7	14M7298	FLANGE NUT	2		M8
8	H134889	DEFLECTOR	2		CORN AND GRAIN
9	37M7058	SCREW	6		M8 X 20
..	BH80124	COMPLETE GOODS/SHIP. BUNDLE	1		STRAW CHOPPER WITH DRIVES
..	BH80153	COMPLETE GOODS/SHIP. BUNDLE	1		CORN CHOPPER WITH DRIVES
..	BH80063	COMPLETE GOODS/SHIP. BUNDLE	1		LOWER STRAW CHOPPER
..	BH80073	COMPLETE GOODS/SHIP. BUNDLE	1		STRAW CHOPPER WITH CHAFF SPREADER

4H22

RESIDUE DISPOSAL

STRAW CHOPPER DOOR
HP3784 -UN-01JAN94



HP3784

4H23

RESIDUE DISPOSAL

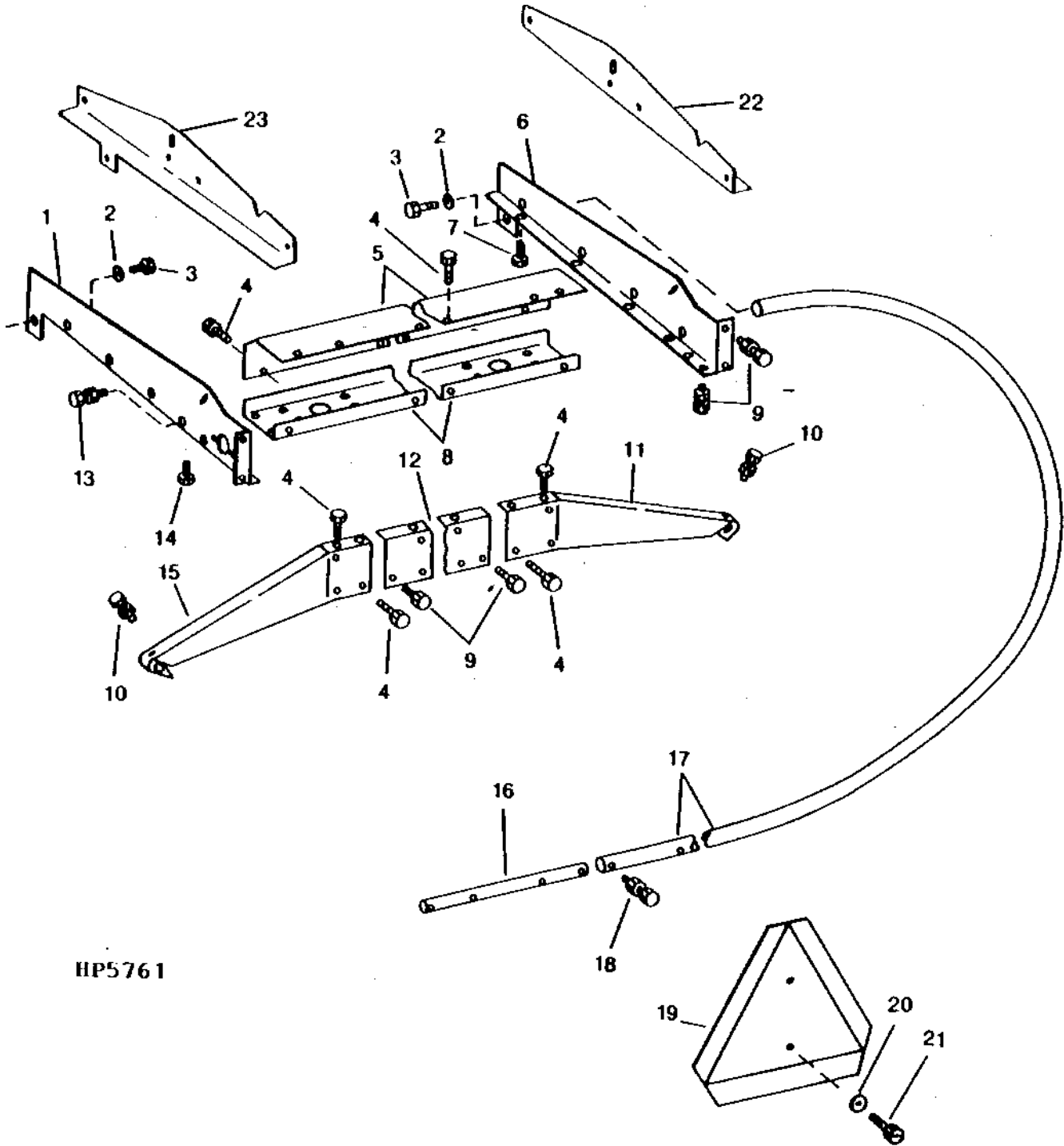
STRAW CHOPPER DOOR - CONTINUED

KEY	PART NO.	PART NAME	QTY	SERIAL NO.	REMARKS
1	AH142779	EXTENSION	1		
2	19M7786	SCREW	6	M10 X 30	
3	H126334	LOCK WASHER	4	11.230 X 22.230 X 1.140 MM (0.442" X 0.875" X 0.045")	
4	14M7400	LOCK NUT	6	M10	
5	19M7784	SCREW	2	M10 X 20	
6	H134886	BRACE	1		
..	BH80124	COMPLETE GOODS/SHIP. BUNDLE	1		CHOPPER WITH DRIVES
..	BH80153	COMPLETE GOODS/SHIP. BUNDLE	1		CORN CHOPPER WITH DRIVES
..	BH80063	COMPLETE GOODS/SHIP. BUNDLE	1		LOWER STRAW CHOPPER
..	BH80073	COMPLETE GOODS/SHIP. BUNDLE	1		STRAW CHOPPER WITH CHAFF SPREADER

4H24

RESIDUE DISPOSAL

STRAW SPREADER MOUNTING AND GUARD
HP5761 -UN-01JAN94



HP5761

4H25

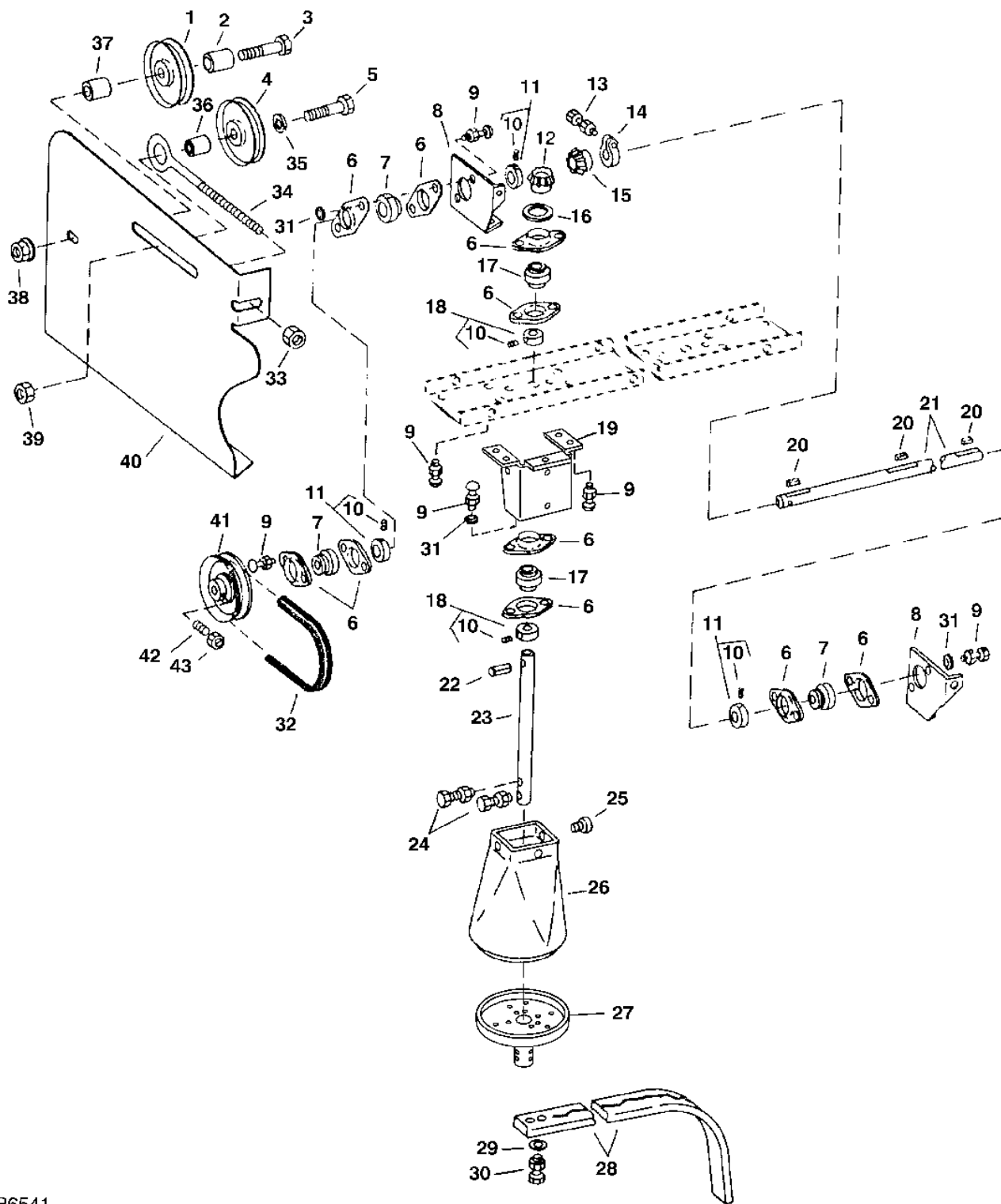
RESIDUE DISPOSAL

STRAW SPREADER MOUNTING AND GUARD - CONTINUED

KEY	PART NO.	PART NAME	QTY	SERIAL NO.	REMARKS
1	AH134439	ANGLE	1	L.H.	
2	12H301	LOCK WASHER	1	1/2"	
3	19H1792	CAP SCREW	1	1/2" X 1"	
4	H78354	SCREW	1		
5	H117696	SUPPORT	1		
6	AH134438	ANGLE	1	R.H.	
7	19M7784	SCREW	1	M10 X 20	
8	H117692	SUPPORT	1		
9	19M7784	SCREW	11	M10 X 20	
10	14M7296	FLANGE NUT	1	M10	
	19M7979	SCREW	11	M8 X 55	
	14M7396	LOCK NUT	1	M8	
11	H121575	SUPPORT	1		
12	H117694	SUPPORT	1		
13	19M7866	SCREW	4	M8 X 20	
14	14M7298	FLANGE NUT	4	M8	
	19M7785	SCREW	4	M10 X 25	
15	H121576	SUPPORT	1		
16	H84932	DECAL	1		
17	AH85415	GUARD	2		
18	19M7295	CAP SCREW	2	M8 X 45	
19	14M7396	LOCK NUT	1	M8	
	TY2615	SMV EMBLEM	1		
20	24M7139	WASHER	2	6.400 X 18 X 1.600 MM	
21	37M7131	SCREW	2		
22	AH138971	REINFORCEMENT	1	R.H.	
23	AH138972	REINFORCEMENT	1	L.H.	
..	BH80007	COMPLETE GOODS/SHIP. BUNDLE	1		STRAW SPREADER WITH DRIVES
..	BH80073	COMPLETE GOODS/SHIP. BUNDLE	1		STRAW CHOPPER LOWER WITH CHAFF SPREADER

NOTE: REFER TO SPREADER CURTAIN FOR FURTHER INFORMATION ON SPREADER GROUPING.

STRAW SPREADER
HP6541 -UN-23AUG96



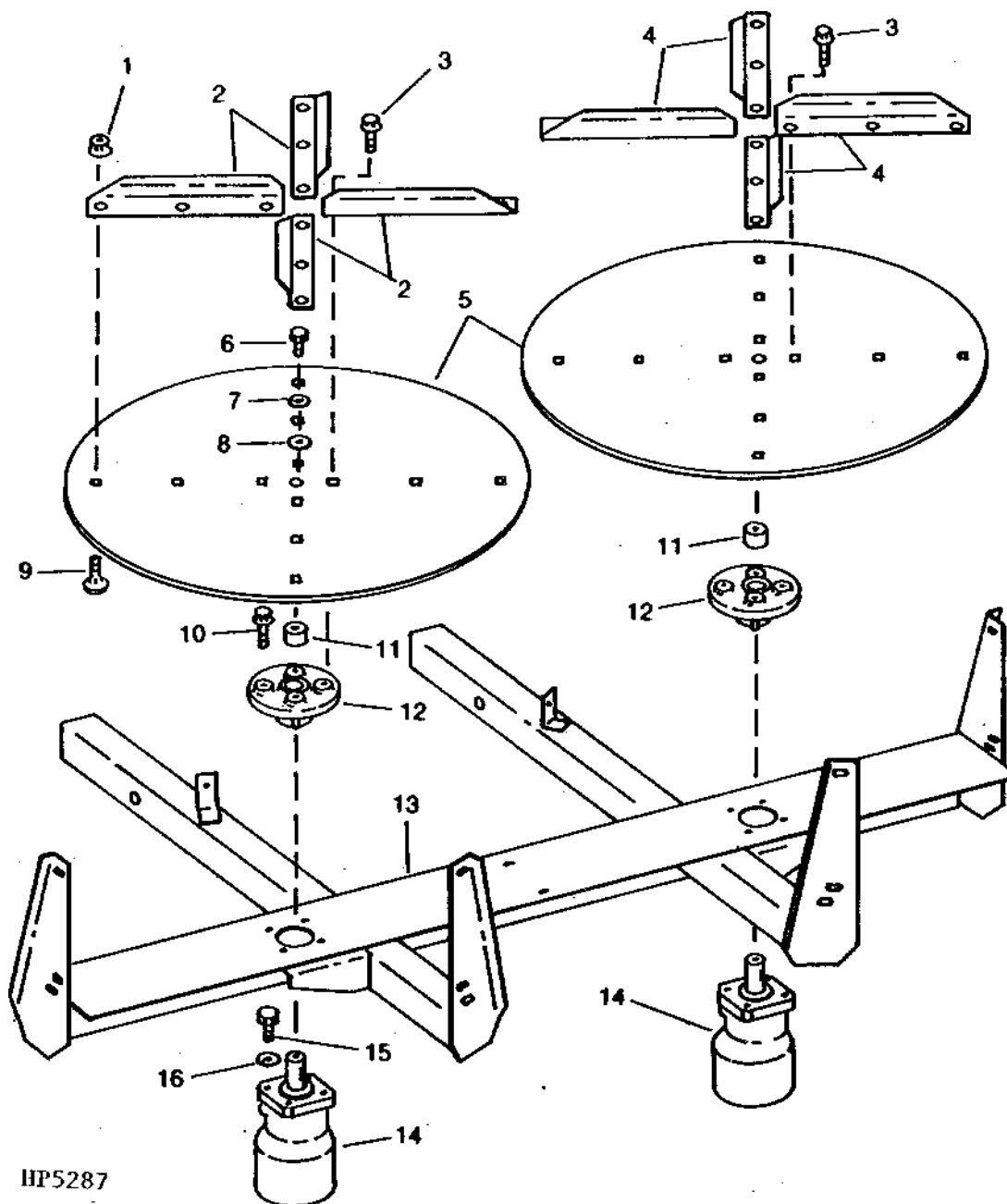
HP6541

STRAW SPREADER - CONTINUED

KEY	PART NO.	PART NAME	QTY	SERIAL NO.	REMARKS
1	AH14097	SHEAVE	1		
2	28H1600	SPACER	1		
3	19M7819	SCREW	1	M12 X 90	
4	AM103480	IDLER	1		
5	19M7825	SCREW	1	M16 X 65	
6	P44439	PRESSED FLANGED HOUSING	14		
7	JD8665	BALL BEARING	1		
8	H135493	SUPPORT	3		
9	03H1540	BOLT	20	5/16" X 3/4"	
10	14H785	NUT	8	5/16"	
11	JD8554	ECCENTRIC LOCKING COLLAR	4		
12	H91228	GEAR	2	(SUB AH139115) SET OF TWO GEARS	
13	19M7572	CAP SCREW	2	M10 X 45	
	14M7296	FLANGE NUT	2	M10	
14	H145112	CLAMP	2		
15	H91796	GEAR	2	(SUB AH139115) SET OF TWO GEARS	
	AH139115	KIT	1		
16	24H1433	WASHER	2	29/32" X 2-1/4" X 1/4"	
17	JD9442	BALL BEARING	4		
18	JD8563	ECCENTRIC LOCKING COLLAR	4		
19	AH131166	SUPPORT	2		
20	M15973	SHAFT KEY	3	(SUB H167587)	
	H167587	KEY	3		
21	H134716	DRIVE SHAFT	1		
22	25H1182	GROOVE PIN	2		
23	H135494	PIN	2		
24	19M8318	SCREW	2	M8 X 45	
	14M7396	LOCK NUT	2	M8	
25	37M7058	SCREW	6	M8 X 20	
26	H83795	GUARD	2		
27	AH141184	CAP	2		
28	H76933	BLADE	6		
29	24M7207	WASHER	12	8.400 X 24 X 2 MM	
30	19M7322	CAP SCREW	12	M8 X 35	
	14M7396	LOCK NUT	12	M8	
31	24M7238	WASHER	10	8.700 X 17 X 2 MM	
32	Z33774	BELT	1		
33	14M7291	FLANGE NUT	1	M16	
34	H127583	EYEBOLT	1		
35	24H1365	WASHER	1	21/32" X 1" X 0.090"	
36	Z33404	SPACER	1		
37	28H2514	BUSHING	1		
38	14M7299	FLANGE NUT	1	M12	
39	14M7291	FLANGE NUT	1	M16	
40	H135017	BRACKET	1		
41	AH130964	SHEAVE	2		
42	H138435	SET SCREW	4		
43	14M7152	NUT	1	M10	
..	BH80073	COMPLETE GOODS/SHIP. BUNDLE	1		STRAW CHOPPER LOWER WITH CHAFF SPREADER
..	BH80007	COMPLETE GOODS/SHIP. BUNDLE	1		STRAW SPREADER WITH DRIVES

CHAFF SPREADER DISC (DUAL MOTOR) AND FRAME

HP5287 -UN-01JAN94



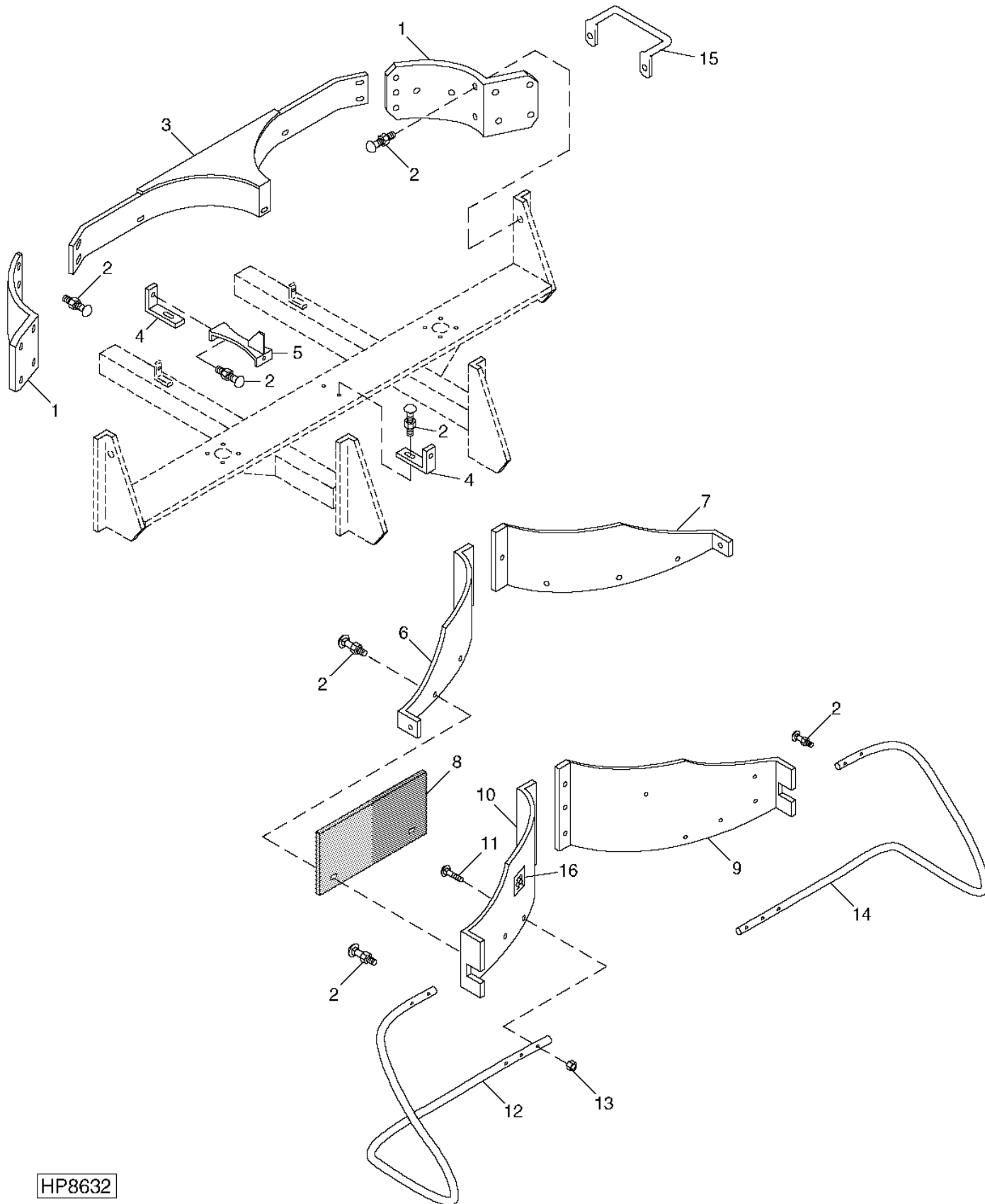
HP5287

CHAFF SPREADER DISC (DUAL MOTOR) AND FRAME - CONTINUED

KEY	PART NO.	PART NAME	QTY	SERIAL NO.	REMARKS
1	14M7396	LOCK NUT	16	M8	
2	H140162	ANGLE	4		
3	19M7865	SCREW	8	M8 X 16	
4	H140161	ANGLE	4		
5	H136257	DISK	2		
6	19H1898	CAP SCREW	2	1/4" X 1-1/2"	
7	12H302	LOCK WASHER	2	1/4"	
8	24H1287	WASHER	2	9/32" X 5/8" X 0.065"	
9	03M7184	BOLT	16	M8 X 20	
10	19M7865	SCREW	8	M8 X 16	
11	H123918	SPACER	2		
12	H143955	HUB	2		
13	AH137752	FRAME	1		
14	AH141858	MOTOR	2		
15	19H1731	CAP SCREW	8	3/8" X 1"	
16	12H304	LOCK WASHER	8	3/8"	
..	BH80263	COMPLETE GOODS/SHIP. BUNDLE	1		CHAFF SPREADER LESS 4-WHEEL DRIVE
..	BH80264	COMPLETE GOODS/SHIP. BUNDLE	1		CHAFF SPREADER FOR 4-WHEEL DRIVE

CHAFF SPREADER (DUAL MOTOR) SHIELDS AND HANDLES

HP8632 -UN-23JUL99



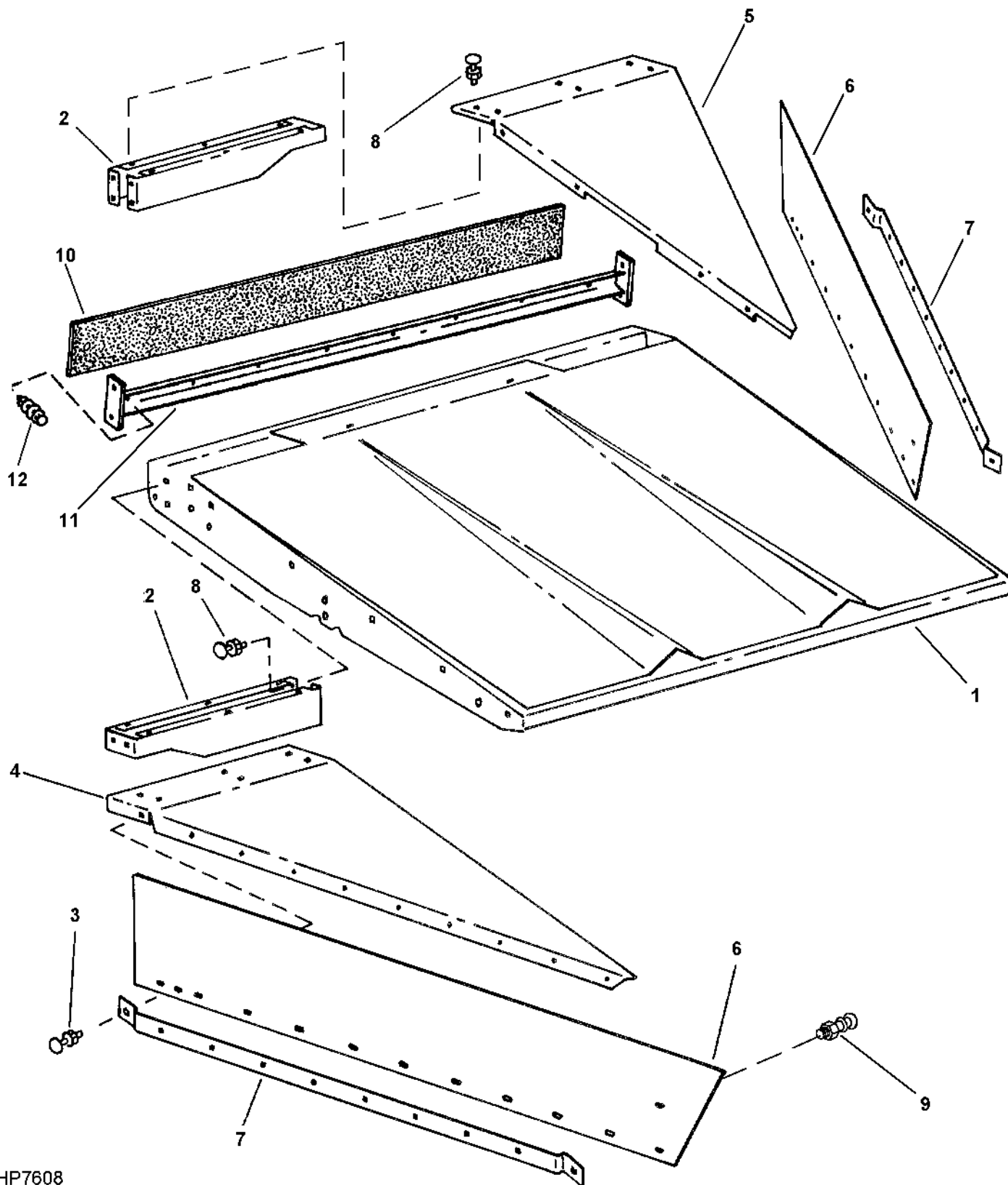
HP8632

CHAFF SPREADER (DUAL MOTOR) SHIELDS AND HANDLES - CONTINUED

KEY	PART NO.	PART NAME	QTY	SERIAL NO.	REMARKS
1	H146011	SHIELD	2		
2	03M7184	BOLT	21	M8 X 20	
	14M7298	FLANGE NUT	21	M8	
3	AH137753	SHIELD	1		
4	H143948	BRACKET	2		
5	AH141652	DUST SHIELD	1		
6	H145096	SHIELD	1		
7	H145095	SHIELD	1		
8	H148107	DUST SHIELD	1		
9	H143950	SHIELD	1		
10	H143949	SHIELD	1		
11	03M7223	BOLT	6	M8 X 60	
12	H143952	TUBE	1		
13	14M7298	FLANGE NUT	6	M8	
14	H143951	TUBE	1		
15	M112639	STOP	2		
16	H139988	LABEL	1		
..	BH80263	COMPLETE GOODS/SHIP. BUNDLE	1	CHAFF SPREADER LESS 4-WHEEL DRIVE	
..	BH80264	COMPLETE GOODS/SHIP. BUNDLE	1	CHAFF SPREADER FOR 4-WHEEL DRIVE	

CHAFF SPREADER (DUAL MOTOR) PAN, WINGS AND SEALS

HP7608 -UN-31AUG98



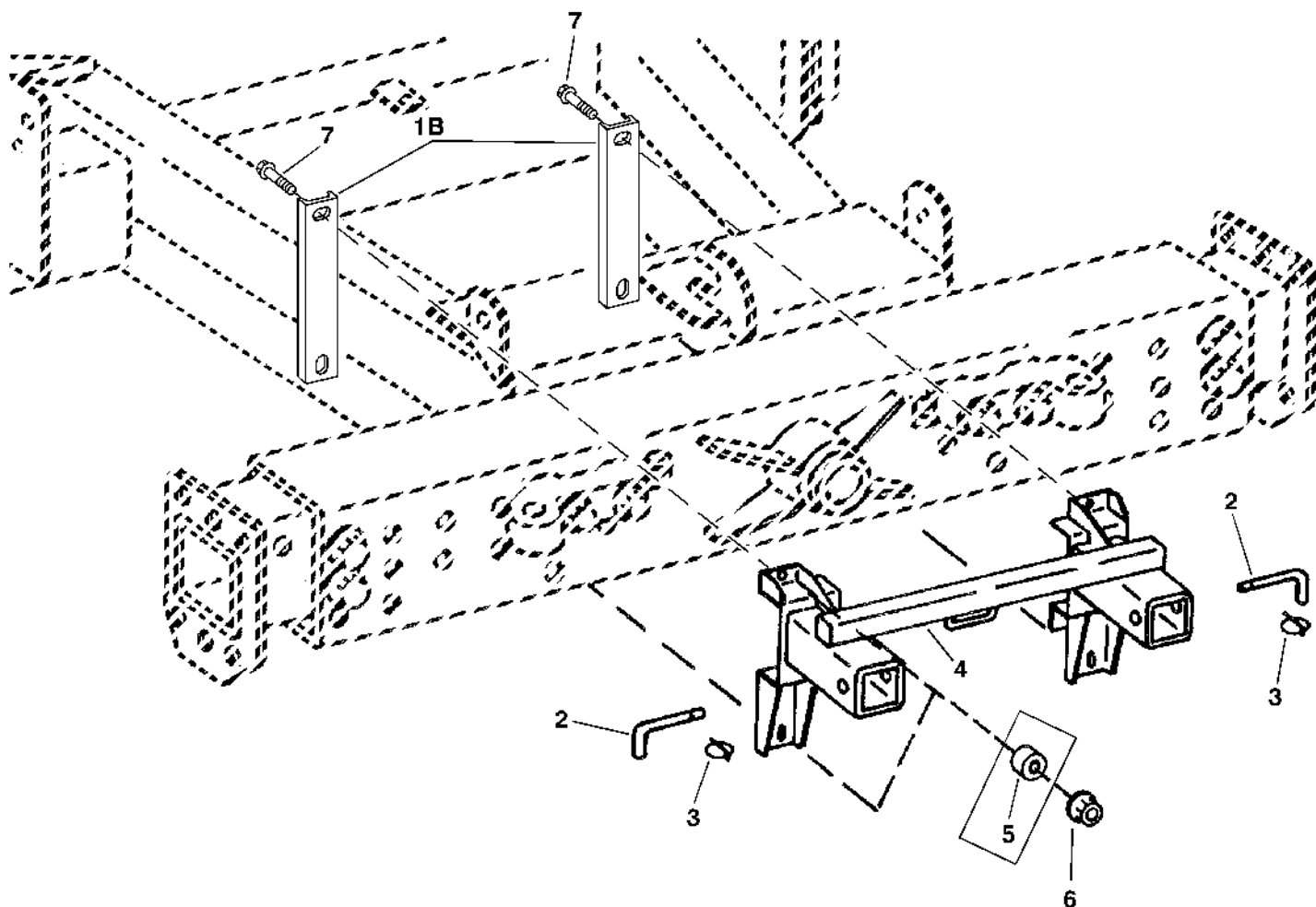
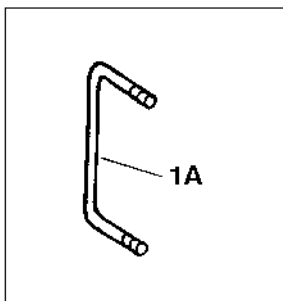
HP7608

CHAFF SPREADER (DUAL MOTOR) PAN, WINGS AND SEALS - CONTINUED

KEY	PART NO.	PART NAME	QTY	SERIAL NO.	REMARKS
1	AH137975	FRAME	1		
2	H144161	SUPPORT	2		
3	03M7184	BOLT	20	29SEP8-	M8 X 20
	14M7396	LOCK NUT	20	29SEP8-	M8
4	H144157	SHEET	1		
5	H144158	SHEET	1		
6	H148025	DEFLECTOR	2		
7	H144163	STRAP	2		
8	03M7184	BOLT	28	29SEP8-	M8 X 20
	14M7298	FLANGE NUT	28	29SEP8-	M8
9	03M7184	BOLT	2	29SEP8-	M8 X 20
	24M7207	WASHER	2	29SEP8-	8.400 X 24 X 2 MM
	14M7396	LOCK NUT	2	29SEP8-	M8
10	H135844	FLAP	1	29SEP8-	
11	AH132361	CROSSBAR	1	29SEP8-	
12	19M7863	SCREW	9	29SEP8-	M6 X 25
	24M7207	WASHER	9	29SEP8-	8.400 X 24 X 2 MM
	14M7303	FLANGE NUT	9	29SEP8-	M6
..	BH80263	COMPLETE GOODS/SHIP. BUNDLE	1		CHAFF SPREADER LESS 4-WHEEL DRIVE
..	BH80264	COMPLETE GOODS/SHIP. BUNDLE	1		CHAFF SPREADER FOR 4-WHEEL DRIVE
..	BH79815	COMPLETE GOODS/SHIP. BUNDLE	1		CHAFF PAN WING AND EXTERNAL BUNDLE

CHAFF SPREADER MOUNTING SUPPORT

HP7199 -UN-23OCT97



HP7199

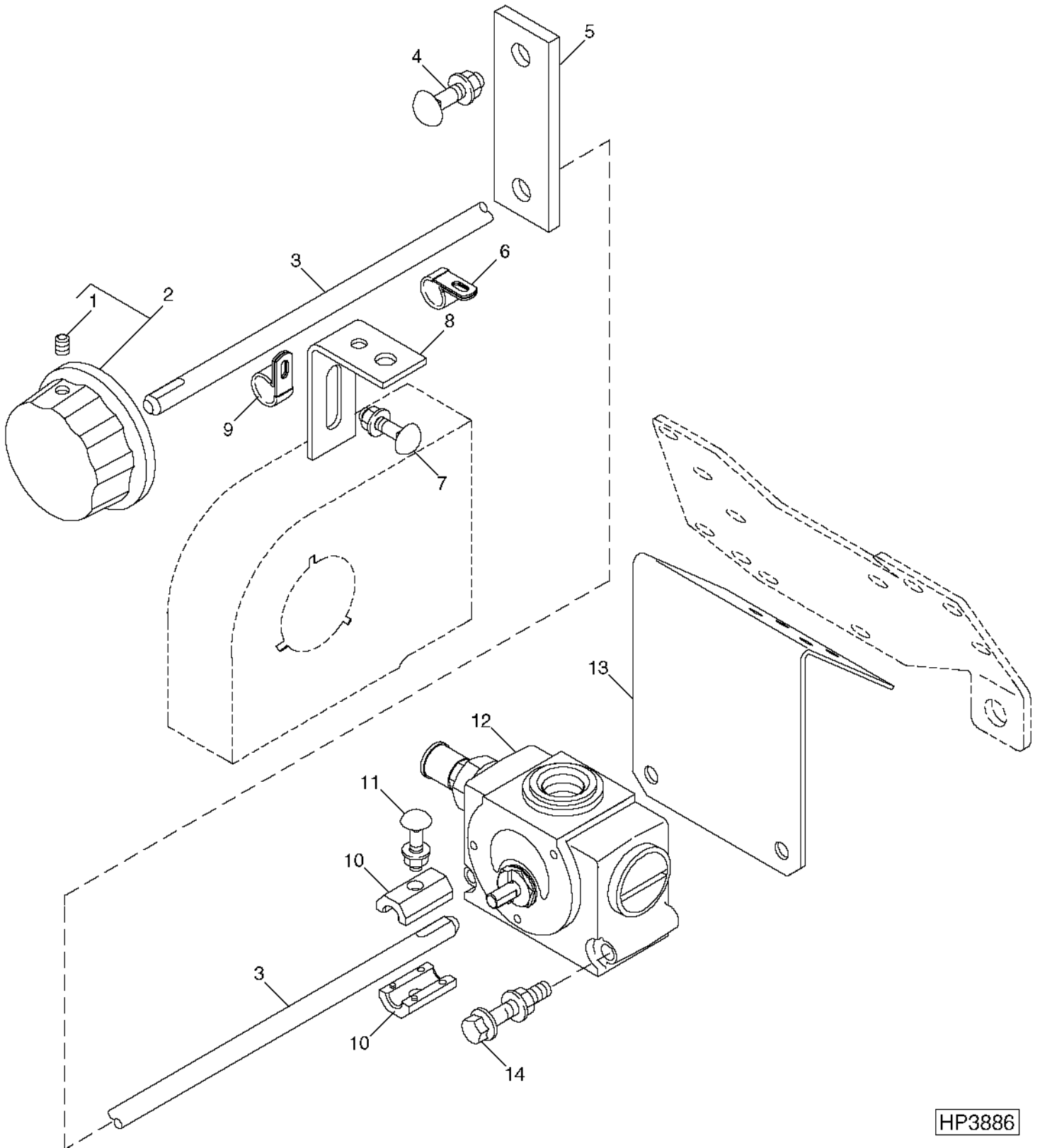
CHAFF SPREADER MOUNTING SUPPORT - CONTINUED

KEY	PART NO.	PART NAME	QTY	SERIAL NO.	REMARKS
1A	H148202	U-BOLT	2		
1B	H164605	CHANNEL	2		
2	H139005	PIN	2		
3	M72598	QUICK LOCK PIN	2		
4	AH137751	SUPPORT	1		
5	N61709	BUSHING	4		
6	14M7299	FLANGE NUT	4		
7	19M7822	SCREW	4		
..	BH80263	COMPLETE GOODS/SHIP. BUNDLE	1		CHAFF SPREADER LESS 4-WHEEL DRIVE
..	BH80264	COMPLETE GOODS/SHIP. BUNDLE	1		CHAFF SPREADER FOR 4-WHEEL DRIVE

4111

RESIDUE DISPOSAL

CHAFF SPREADER CONTROL, CHECK VALVE, ROD AND KNOB
HP3886 -UN-24AUG99



HP3886

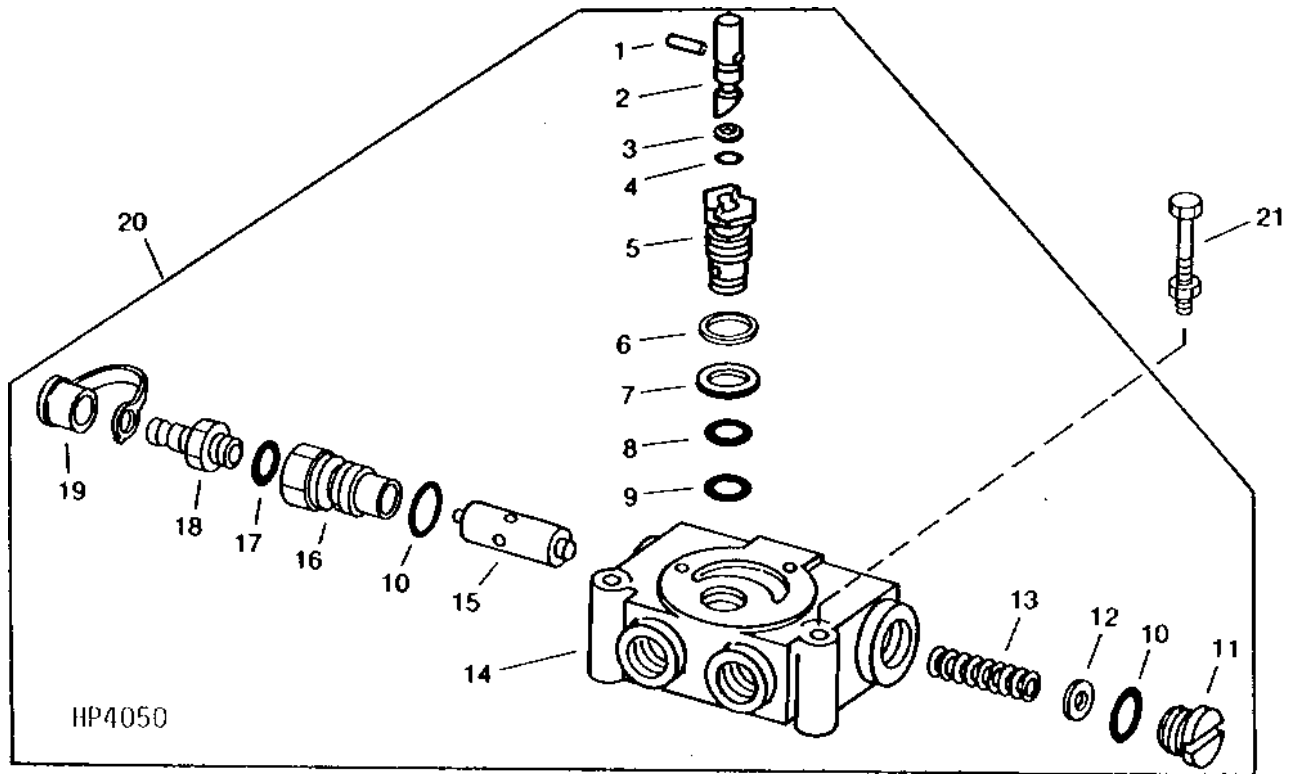
CHAFF SPREADER CONTROL, CHECK VALVE, ROD AND KNOB - CONTINUED

KEY	PART NO.	PART NAME	QTY	SERIAL NO.	REMARKS
1	SET SCREW	2		
2	AH132988	KNOB	1		
3	H137867	ROD	1		(SUB (2) H114020 AND (2) H144896 AND 03M7290 AND 14M7303)
4	H144896 37M7183	PIN SCREW	1 1		
	14M7298	FLANGE NUT	1	M8	
5	H139006	STRAP	1		
6	AH11015	CLIP	1		
7	03M7184	BOLT	1	M8 X 20	
	14M7298	FLANGE NUT	1	M8	
8	H137866	BRACKET	1		
9	AH76882	CLIP	1		
10	H114020	HALF CLAMP	2		
11	19M7775	SCREW	1	M6 X 16	
	14M7303	FLANGE NUT	1	M6	
12	AH140902	CHECK VALVE	1		
	AH136202	CHECK VALVE	1		
13	H137865	BRACKET	1		
14	19M7979	SCREW	2	M8 X 55	
	14M7298	FLANGE NUT	2	M8	
..	BH80263	COMPLETE GOODS/SHIP. BUNDLE	1		CHAFF SPREADER LESS 4-WHEEL DRIVE
..	BH80264	COMPLETE GOODS/SHIP. BUNDLE	1		CHAFF SPREADER FOR 4-WHEEL DRIVE

4113

RESIDUE DISPOSAL

REEL DRIVE FLOW CONTROL VALVE
HP4050 -UN-01JAN94

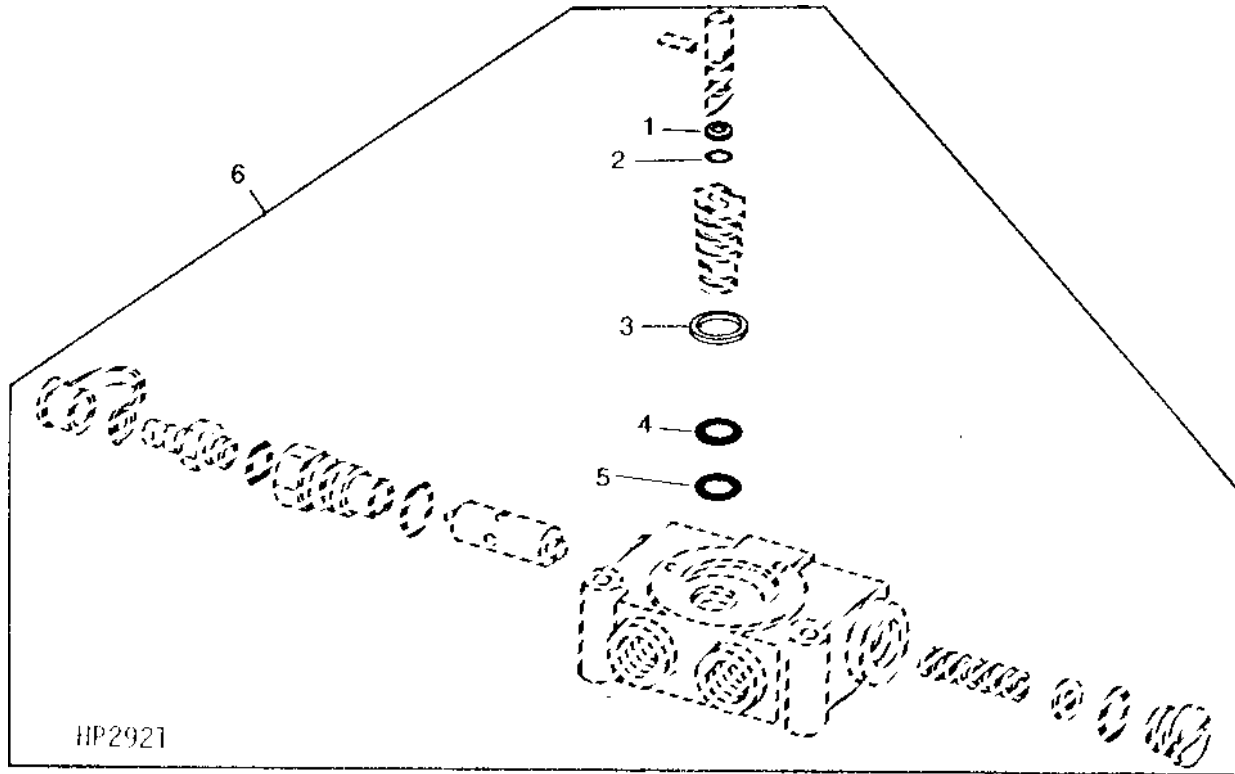


REEL DRIVE FLOW CONTROL VALVE - CONTINUED

KEY	PART NO.	PART NAME	QTY	SERIAL NO.	REMARKS
1	GROOVE PIN	1		
2	SPOOL	1		
3	BACK-UP RING	1		(KIT AH136248 OR AH140903)
4	O-RING	1		(KIT AH136248 OR AH140903)
5	PLUG	1		(KIT AH140903)
6	SHIM	AR		(KIT AH140903)
7	BACK-UP RING	1		(KIT AH136248 OR AH140903)
8	O-RING	1		(KIT AH136248 OR AH140903)
9	O-RING	1		(KIT AH136248 OR AH140903)
10	H63289	O-RING	2		
11	PLUG	1		
12	SHIM	1		
13	SPRING	1		
14	HOUSING	1		
15	VALVE	1		
16	PLUG	1		
17	R26448	O-RING	1		
18	AH125760	HYD. QUICK-CONNECT COUPLER	1		DIAGNOSTIC
19	R77175	COVER	1		
20	AH140902	CHECK VALVE	1		
21	19M7801	SCREW	2		M8 X 60
	14M7298	FLANGE NUT	2		M8
..	AH140903	KIT	1		SEAL REPAIR
..	AH136248	SEAL KIT	1		

SEAL REPAIR KIT FOR REEL DRIVE FLOW CONTROL VALVE

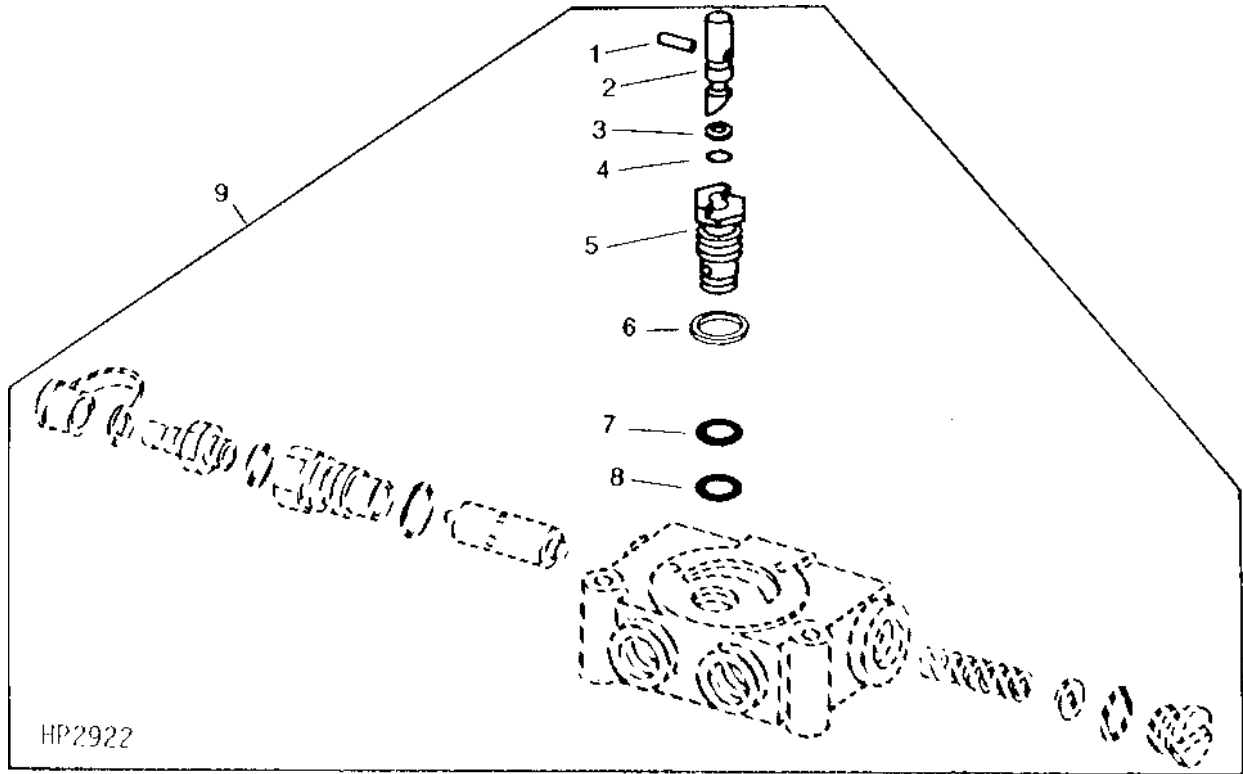
HP2921 -UN-01JAN94



KEY	PART NO.	PART NAME	QTY	SERIAL NO.	REMARKS
1	BACK-UP RING	1		
2	O-RING	1		
3	BACK-UP RING	1		
4	O-RING	1		
5	O-RING	1		
6	AH136248	SEAL KIT	1		

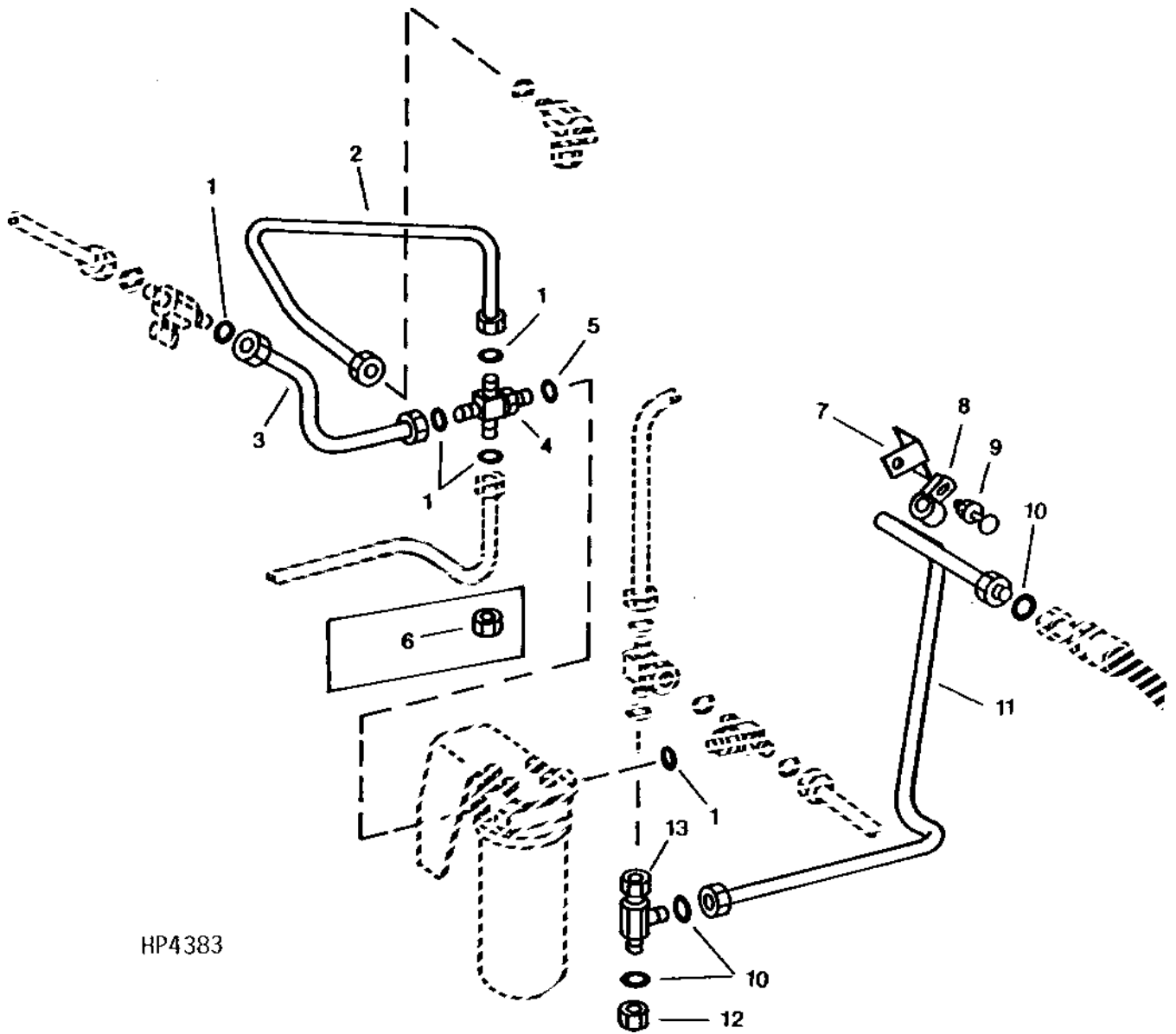
ADJUSTING SCREW KIT FOR REEL DRIVE FLOW CONTROL VALVE

HP2922 -UN-01JAN94



KEY	PART NO.	PART NAME	QTY	SERIAL NO.	REMARKS
1	GROOVE PIN	1		
2	SPOOL	1		
3	BACK-UP RING	1		
4	O-RING	1		
5	PLUG	1		
6	BACK-UP RING	1		
7	O-RING	1		
8	O-RING	1		
9	AH140903	KIT	1		

CHAFF SPREADER LINES AND FITTINGS
HP4383 -UN-01JAN94

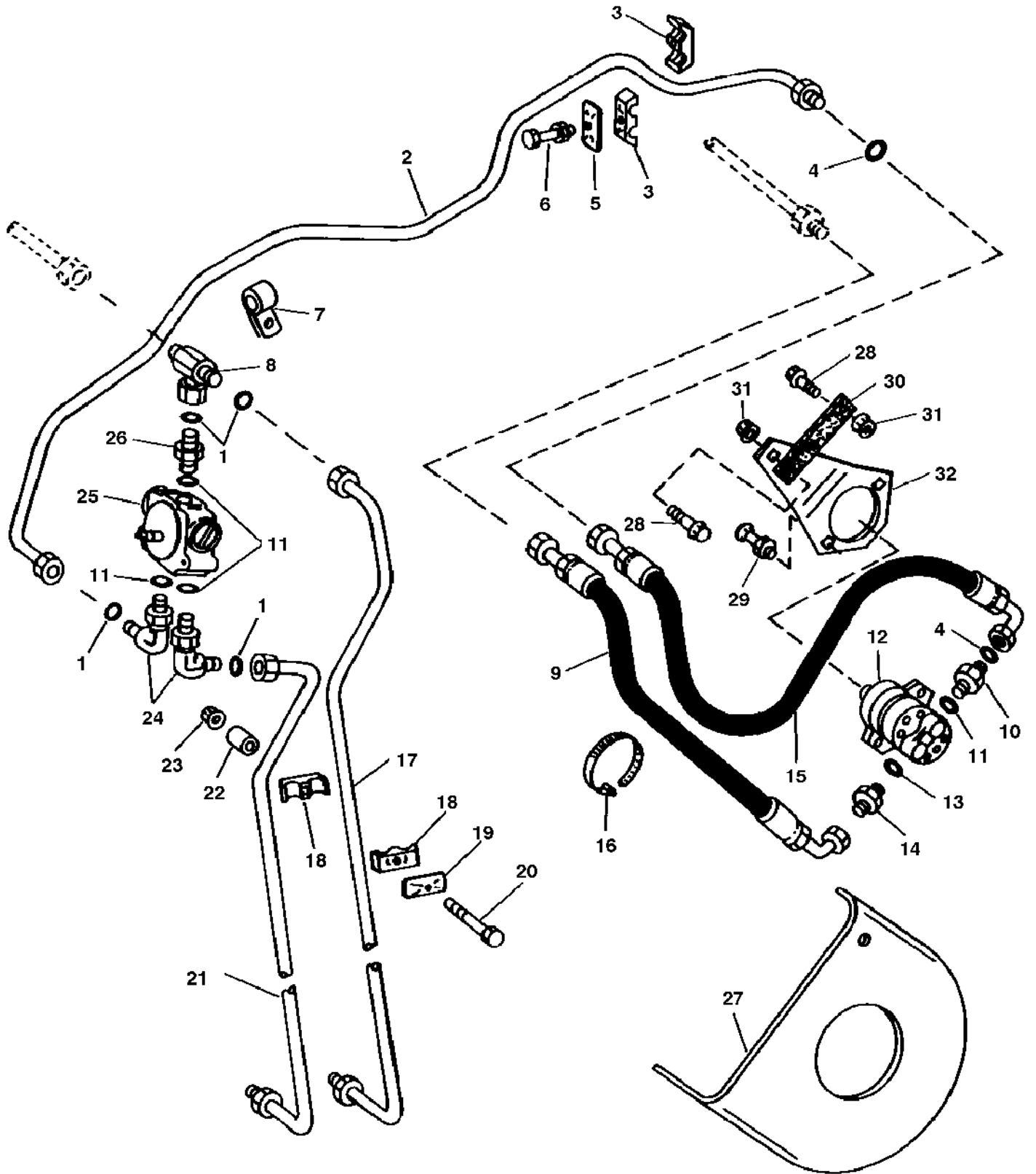


HP4383

CHAFF SPREADER LINES AND FITTINGS - CONTINUED

KEY	PART NO.	PART NAME	QTY	SERIAL NO.	REMARKS
1	T77858	O-RING	5		
2	AH133759	OIL LINE	1		
3	AH126169	OIL LINE	1		
4	AH132031	FITTING	1		
5	R29936	O-RING	1		
6	38H1418	FITTING PLUG	1		
7	H139964	BRACKET	1		
8	R72659	CLAMP	1		
9	03M7183	BOLT	1	M8 X 16	
	14M7298	FLANGE NUT	1	M8	
10	T76938	O-RING	3		
11	AH133770	LINE	1		
12	38H1419	FITTING PLUG	1		
13	38H1467	TEE FITTING	1		
..	BH80263	COMPLETE GOODS/SHIP. BUNDLE	1		CHAFF SPREADER LESS 4-WHEEL DRIVE
..	BH80264	COMPLETE GOODS/SHIP. BUNDLE	1		CHAFF SPREADER FOR 4-WHEEL DRIVE

CHAFF SPREADER LINES, HOSES, VALVE AND PUMP
HP6906 -UN-12SEP97

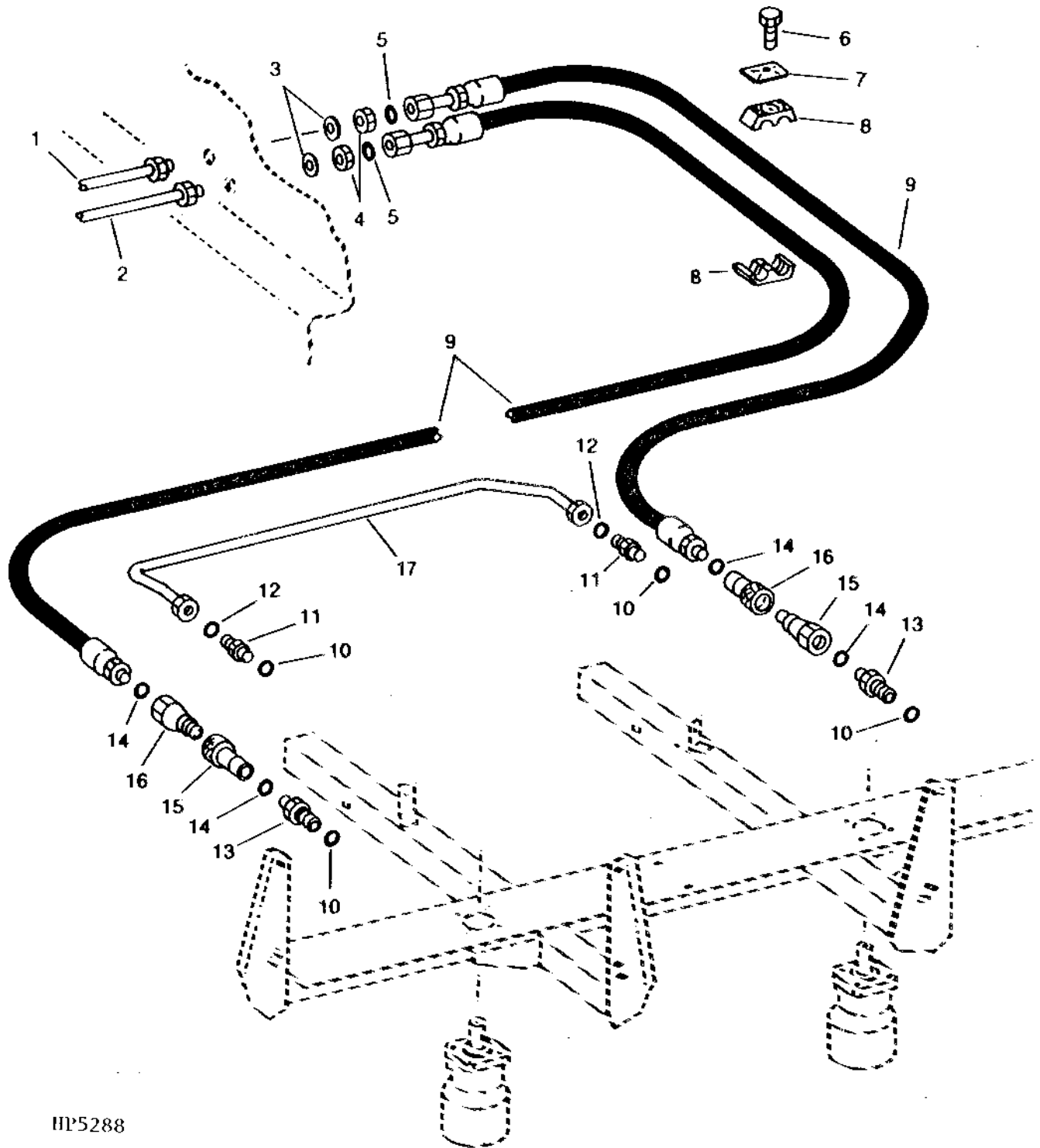


HP6906

CHAFF SPREADER LINES, HOSES, VALVE AND PUMP - CONTINUED

KEY	PART NO.	PART NAME	QTY	SERIAL NO.	REMARKS
1	T77932	O-RING	4		
2	AH133758	OIL LINE	1		
3	H120362	CLAMP	2		
4	T77857	O-RING	2		
5	H112567	PLATE	1		
6	19M7801	SCREW	1	M8 X 60	
	14M7298	FLANGE NUT	1	M8	
7	T27523	CLAMP	1		
8	38H1040	TEE FITTING	1		
9	AH132200	HYDRAULIC HOSE	1		1-3/16" X 975 MM (38-1/2") X 1-3/16", (SUCTION)
10	38H1174	ADAPTER	1		
11	R26906	O-RING	4		
12	AH134555	PUMP	1		
13	R29936	O-RING	1		
14	38H1194	ADAPTER	1		
15	AH132201	HYDRAULIC HOSE	1		13/16" X 980 MM (38-1/2") X 13/16", (PRESSURE)
16	H77698	TIE BAND	1		
17	AH133949	OIL LINE	1		
18	H120847	CLAMP	2		
19	H121168	PLATE	1		
20	19M7873	SCREW	1	M8 X 110	
21	AH133948	OIL LINE	1		
22	L3483N	BUSHING	1		USED W/O 4-WHEEL DRIVE
23	14M7298	FLANGE NUT	1		M8
24	38H1006	ELBOW FITTING	2		
25	AH140902	CHECK VALVE	1		SEE REEL DRIVE FLOW CONTROL VALVE FOR PARTS
26	38H1162	ADAPTER	1		
27	H137603	SHIELD	1		
28	19M7867	SCREW	2	M8 X 25	
29	03M7186	BOLT	1		
	14M7298	FLANGE NUT	2		M8
30	H78340	STRAP	1		
31	14M7298	FLANGE NUT	2		M8
32	H137602	ARM	1		
..	BH80263	COMPLETE GOODS/SHIP. BUNDLE	1		CHAFF SPREADER LESS 4-WHEEL DRIVE
..	BH80264	COMPLETE GOODS/SHIP. BUNDLE	1		CHAFF SPREADER WITH 4-WHEEL DRIVE

CHAFF SPREADER (DUAL MOTOR) HOSES AND LINES
HP5288 -UN-01JAN94

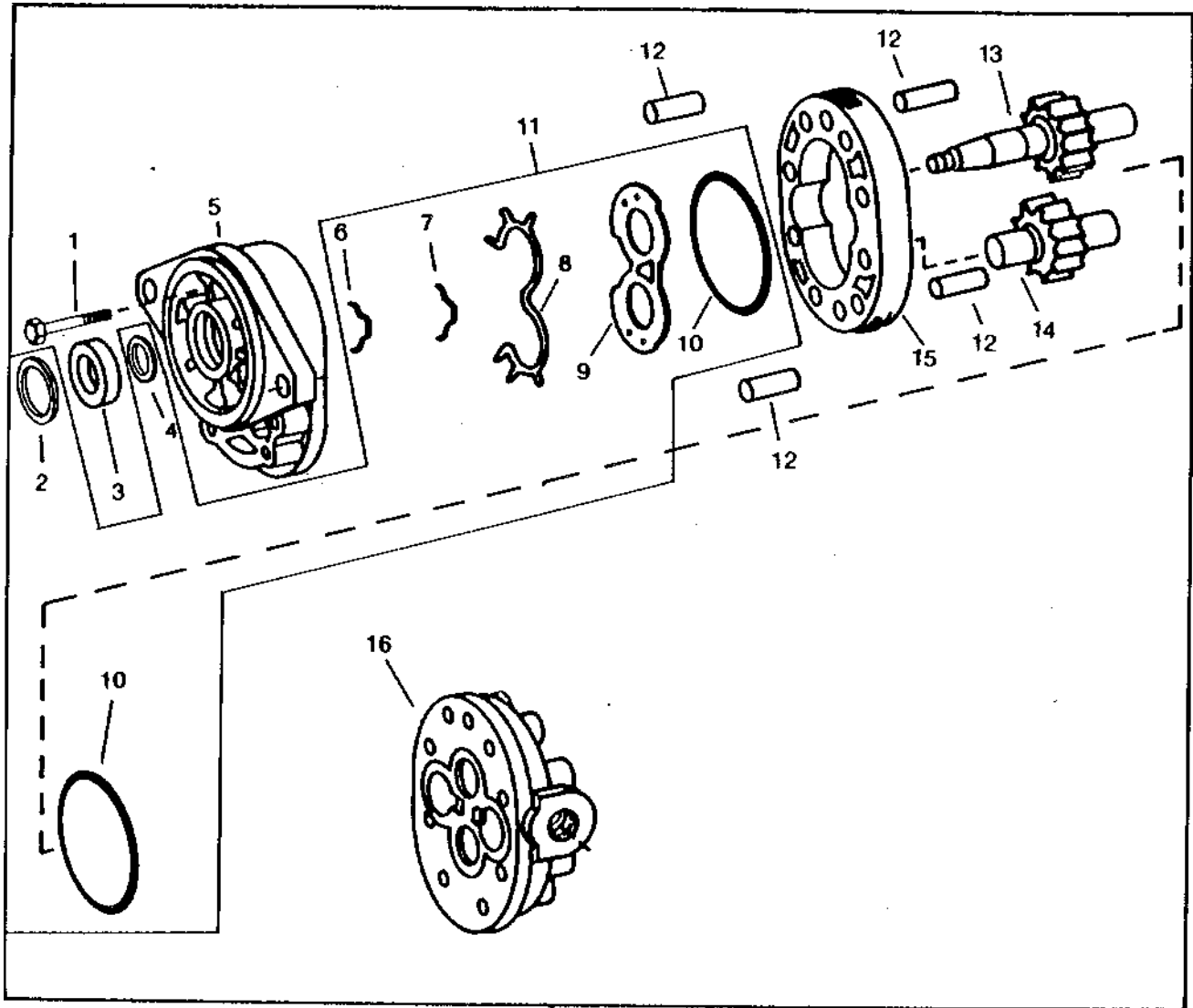


HP5288

CHAFF SPREADER (DUAL MOTOR) HOSES AND LINES - CONTINUED

KEY	PART NO.	PART NAME	QTY	SERIAL NO.	REMARKS
1	AH133948	OIL LINE	1		PRESSURE
2	AH133949	OIL LINE	1		RETURN
3	24M7051	WASHER	2		21 X 37 X 3 MM
4	T78716	NUT	2		20.625 MM
5	T77857	O-RING	2		
6	19M8039	SCREW	1		M8 X 80
7	H112567	PLATE	1		
8	H122772	CLAMP	2		
9	AH138718	HYDRAULIC HOSE	2		
10	R26906	O-RING	8		
11	38H1162	ADAPTER	3		
12	T77932	O-RING	9		
13	T62843	ADAPTER	2		
14	R26375	O-RING	4		
15	AH75167	HYD. QUICK-CONNECT COUPLER	2		(INCLUDES INTERNAL O-RING)
16	AR94522	INTERNAL HALF COUPLER	2		
17	AH137986	OIL LINE	1		
..	BH80263	COMPLETE GOODS/SHIP. BUNDLE	1		CHAFF SPREADER LESS 4-WHEEL DRIVE
..	BH80264	COMPLETE GOODS/SHIP. BUNDLE	1		CHAFF SPREADER FOR 4-WHEEL DRIVE

CHAFF SPREADER PUMP
HP5085 -UN-01JAN94



HP5085

17

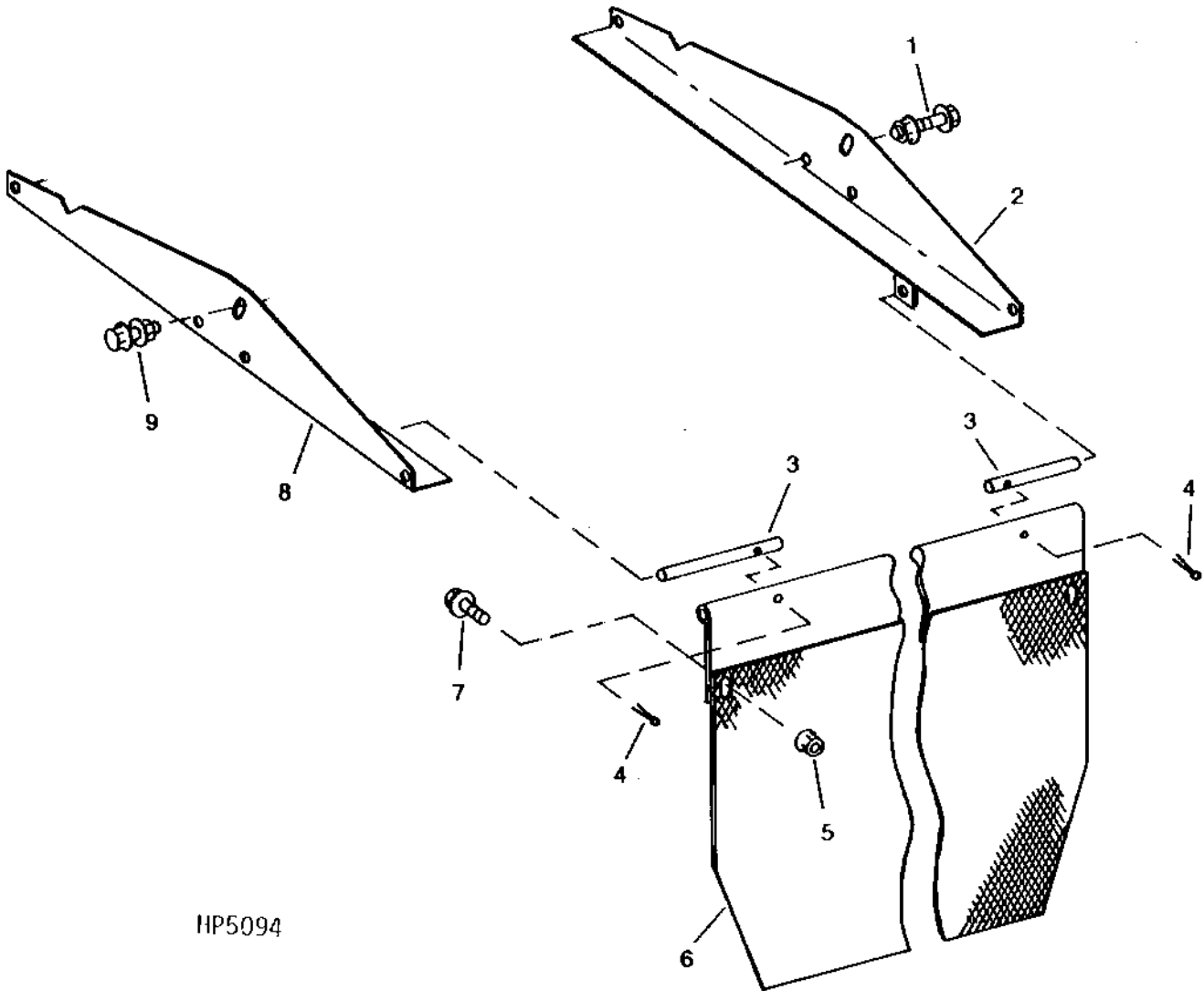
CHAFF SPREADER PUMP - CONTINUED

KEY	PART NO.	PART NAME	QTY	SERIAL NO.	REMARKS
1	E61791	BOLT	8		
2	M41029	SNAP RING	1		
3	AH131842	SEAL	1		
4	M48869	WASHER	1		
5	PLATE	1		
6	SEAL	1		
7	GASKET	1		
8	GASKET	1		
9	WEAR PLATE	1		
10	H80821	O-RING	2		
11	AH131176	SEAL KIT	1		
12	H116213	DOWEL PIN	4		
13	AH134554	GEAR	1		
14	GEAR	1		
15	HOUSING	1		
16	PLATE	1		
17	AH134555	PUMP	1		(CESSNA NO. R25305-RAL) REMANUFACTURED
..	BH80263	COMPLETE GOODS/SHIP. BUNDLE	1		CHAFF SPREADER LESS 4-WHEEL DRIVE
..	BH80264	COMPLETE GOODS/SHIP. BUNDLE	1		CHAFF SPREADER FOR 4-WHEEL DRIVE

4J1

RESIDUE DISPOSAL

SPREADER CURTAIN
HP5094 -UN-01JAN94



HP5094

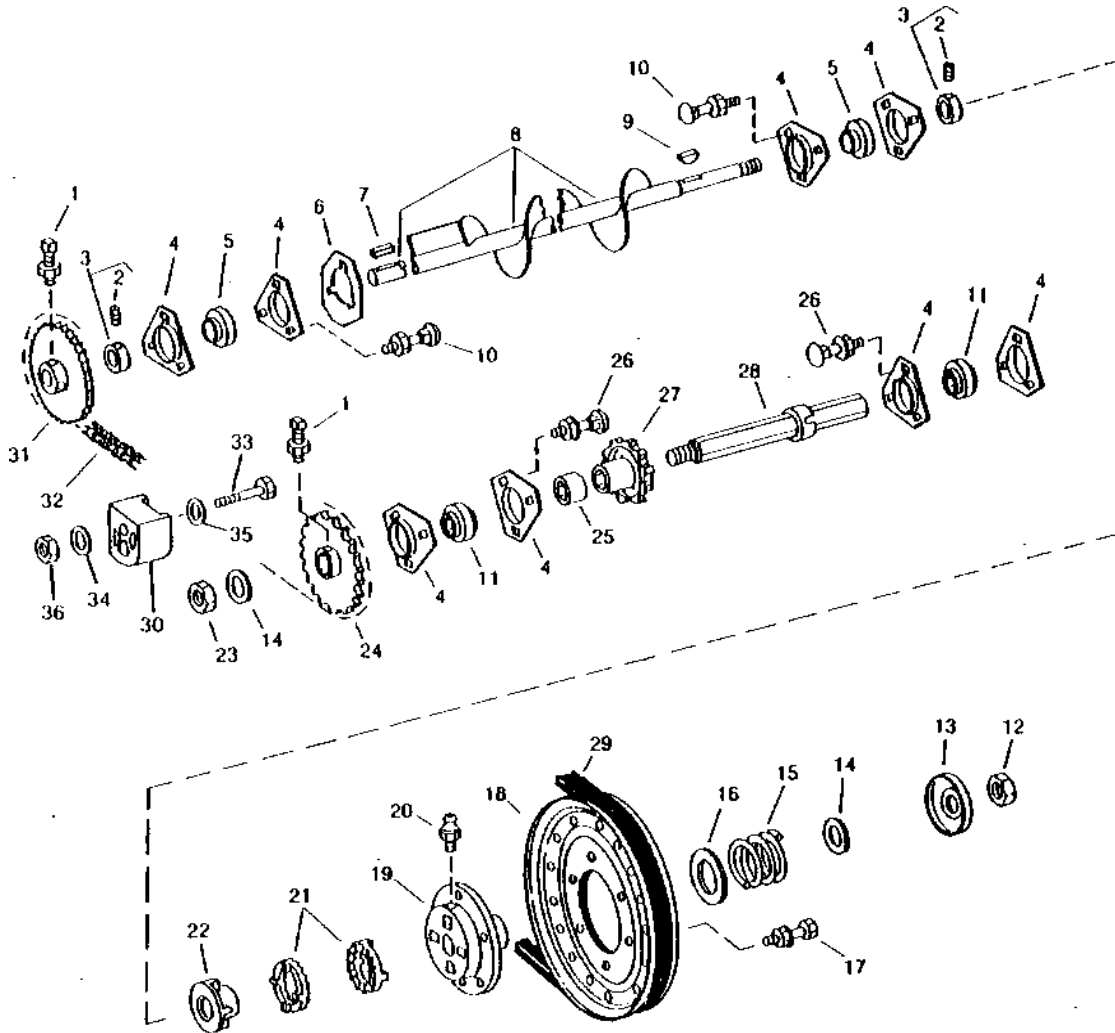
SPREADER CURTAIN - CONTINUED

KEY	PART NO.	PART NAME	QTY	SERIAL NO.	REMARKS
1	19M7809	SCREW	4	M10 X 70	
	14M7296	FLANGE NUT	4	M10	
2	AH138971	REINFORCEMENT	1		
3	H131865	PIN	2		
4	11M7086	COTTER PIN	2	2.500 X 50 MM	
5	14M7298	FLANGE NUT	2	M8	
6	AH135658	LIMIT CURTAIN	1		
7	19M7865	SCREW	2	M8 X 16	
8	AH138972	REINFORCEMENT	1		
9	19M7785	SCREW	1	M10 X 25	
	14M7296	FLANGE NUT	1	M10	
..	BH80007	COMPLETE GOODS/SHIP. BUNDLE	1	STRAW SPREADER WITH DRIVE	

4J3

RESIDUE DISPOSAL

LOWER TAILINGS AUGER, SHAFT AND TIGHTENER
HP5817 -UN-01JAN94



HP5817

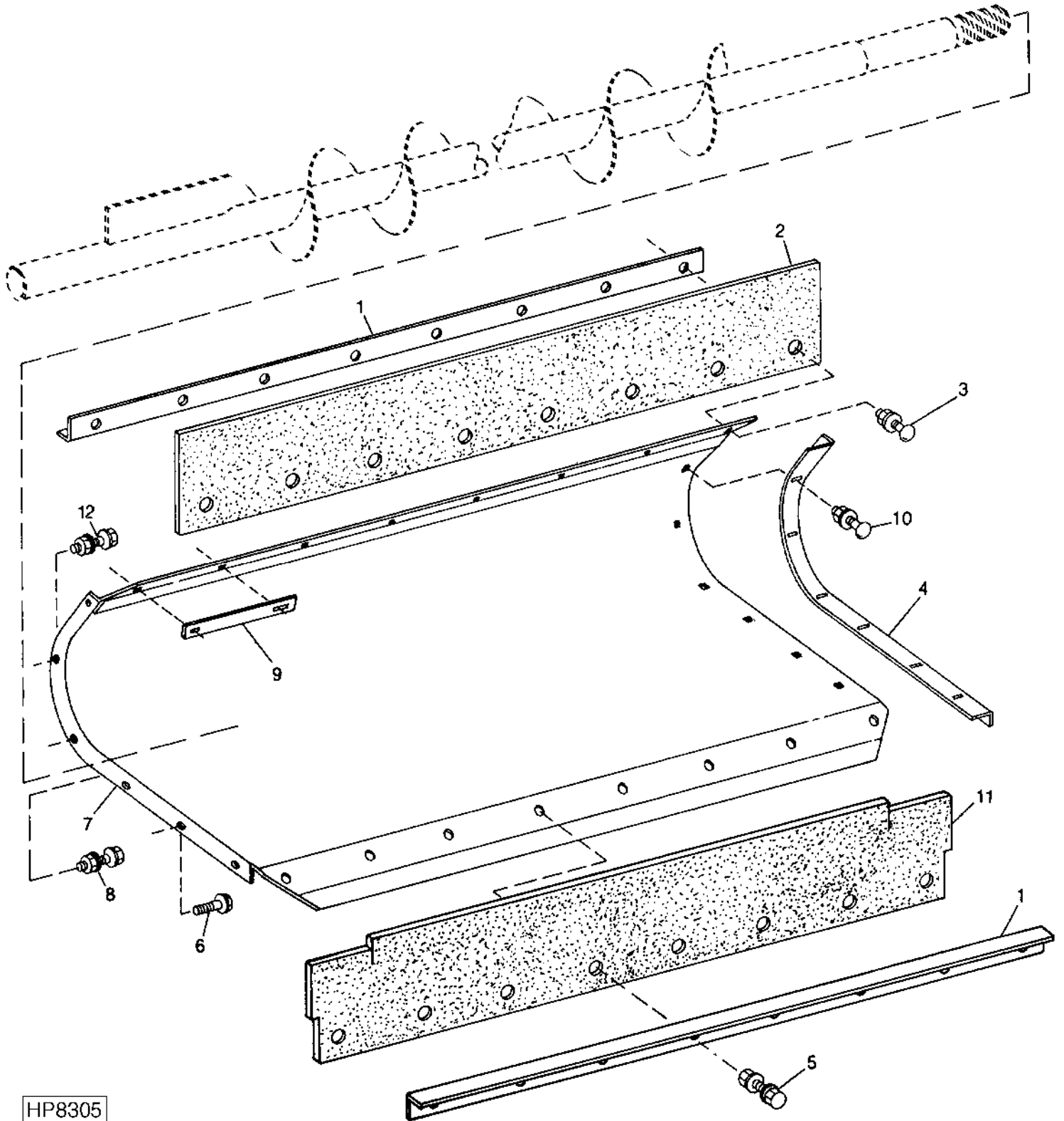
LOWER TAILINGS AUGER, SHAFT AND TIGHTENER - CONTINUED

KEY	PART NO.	PART NAME	QTY	SERIAL NO.	REMARKS
1	H138435	SET SCREW	AR		
	14M7274	NUT	AR	M10	
2	22M7080	SET SCREW	2	M8 X 8	
3	AZ10045	ECCENTRIC LOCKING COLLAR	2		
4	E10018	PRESSED FLANGED HOUSING	AR		
5	JD39103	BALL BEARING	2		
6	H132906	PLATE	1		
7	49M4111	SHAFT KEY	1		
8	AH146322	AUGER	1	(LOWER)	
9	26H19	SHAFT KEY	1	1/4" X 7/8"	
10	03M7191	BOLT	AR	M10 X 25	
	14M7296	FLANGE NUT	AR	M10	
11	JD9313	BALL BEARING	2		
12	14M7300	FLANGE NUT	1	M20	
13	AH126677	CAP	1		
14	24M7051	WASHER	2	21 X 37 X 3 MM	
15	J21022	SPRING	1		
16	24M7176	WASHER	1	56 X 72 X 3 MM	
17	19M7867	SCREW	AR	M8 X 25	
	14M7298	FLANGE NUT	AR	M8	
18	AH126388	SHEAVE	1	270 MM (10-1/2") DIA.	
19	H97574	HUB	1		
20	JD7797	LUBRICATION FITTING	1	1/4" STRAIGHT	
21	H128265	SLIP CLUTCH	2		
22	H85015	HUB	1		
23	14M7340	LOCK NUT	1	(SUB 14M7340)	
24	AH130572	CHAIN SPROCKET	1	18-TOOTH	
25	H134605	SPACER	1		
26	03M7190	BOLT	AR	M10 X 20	
	14M7296	FLANGE NUT	AR	M10	
27	H134603	CHAIN SPROCKET	1	8-TOOTH	
28	AH130570	SHAFT	1	LOWER CONVEYOR	
29	N110085	BELT	1		
30	H136582	TIGHTENER	1		
31	AH121047	CHAIN SPROCKET	1	18-TOOTH	
32	AH126239	ROLLER CHAIN	1	ROLLER, TYPE 50, 16 MM (5/8") PITCH, 43 LINKS (ASSEMBLE FROM AH18482 OR AP22459, (1) P20351 AND (1) P20352)	
33	03M7245	BOLT	1	M8 X 55	
34	24M7207	WASHER	1	8.400 X 24 X 2 MM	
35	H75716	LOCK WASHER	1	13.220 MM	
36	14M7298	FLANGE NUT	1	M8	

4J5

RESIDUE DISPOSAL

LOWER TAILINGS AUGER TROUGH
HP8305 -UN-02MAR99



HP8305

4J6

RESIDUE DISPOSAL

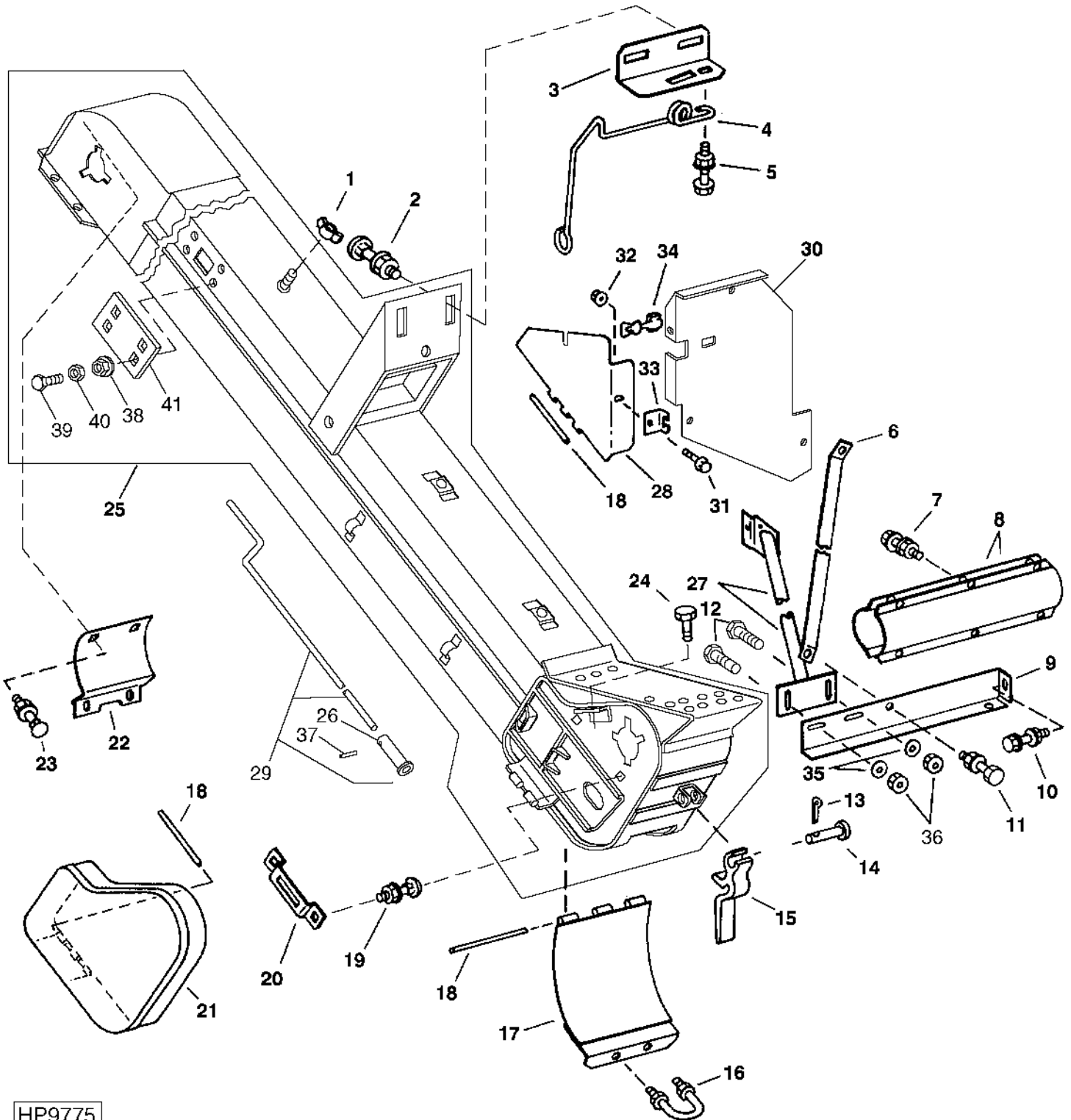
LOWER TAILINGS AUGER TROUGH - CONTINUED

KEY	PART NO.	PART NAME	QTY	SERIAL NO.	REMARKS
1	H134308	REINFORCEMENT	2		
2	H134314	STRAP	1		FRONT
3	19M7865	SCREW	AR		M8 X 16
	14M7298	FLANGE NUT	AR		M8
4	H134317	SUPPORT	1		
5	19M7865	SCREW	AR		M8 X 16
	14M7298	FLANGE NUT	AR		M8
6	19M7866	SCREW	2		M8 X 20
7	AH138655	TROUGH	1		
8	19M7866	SCREW	2		M8 X 20
	14M7298	FLANGE NUT	2		M8
9	H137585	STRAP	1		
10	03M7183	BOLT	AR		M8 X 16
	14M7298	FLANGE NUT	AR		M8
11	H147660	SEAL	1		REAR
12	19M7867	SCREW	6		
	14M7298	FLANGE NUT	6		

4J7

RESIDUE DISPOSAL

TAILINGS ELEVATOR HOUSING
HP9775 -UN-24MAY00



HP9775

TAILINGS ELEVATOR HOUSING - CONTINUED

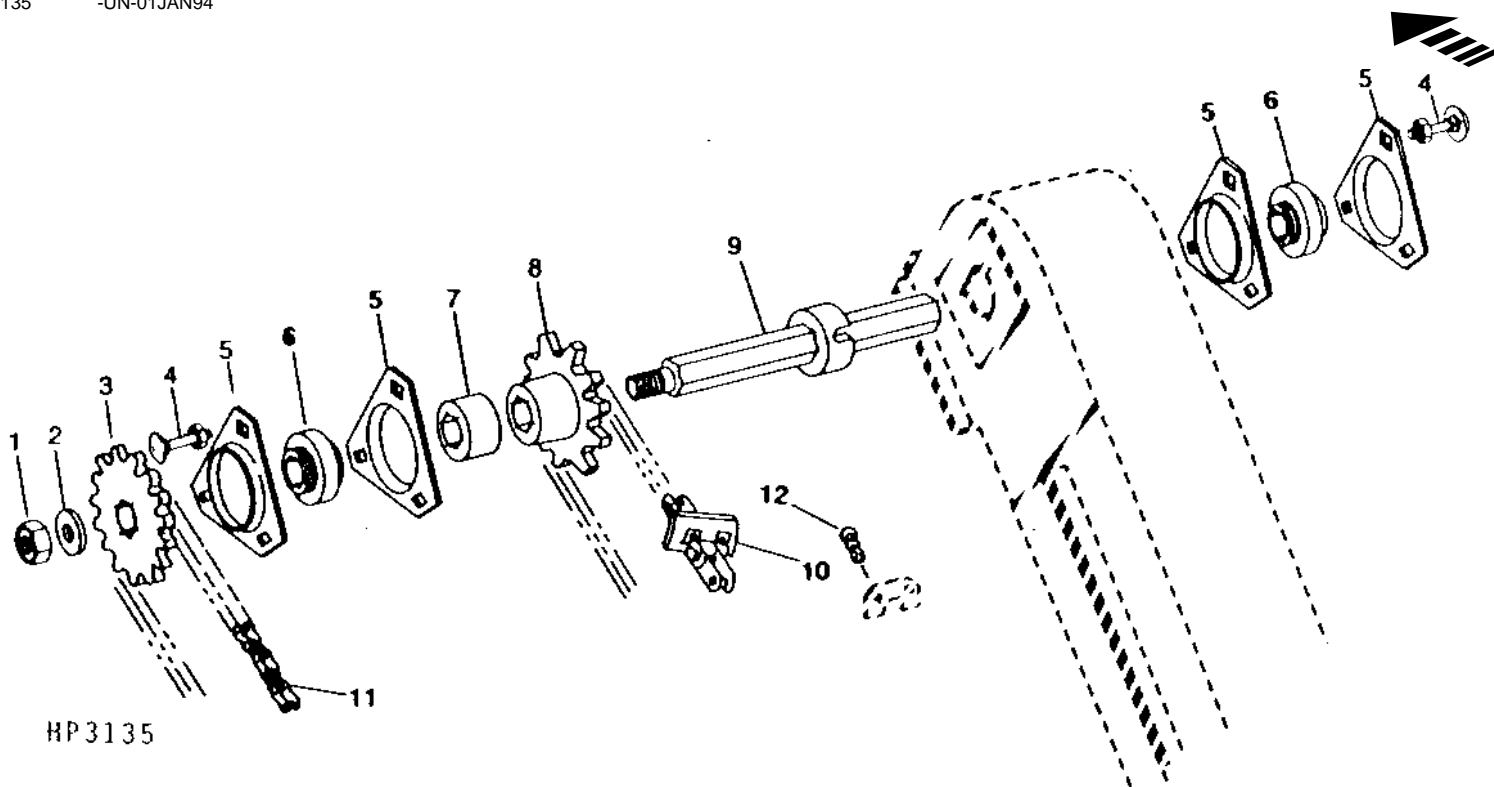
KEY	PART NO.	PART NAME	QTY	SERIAL NO.	REMARKS
1	14M7020	WING NUT	1	M8	
2	19M7784	SCREW	2	M10 X 20	
	14M7296	FLANGE NUT	2	M10	
3	H132708	BRACKET	1		
4	H130930	SPRING	1		
5	19M7784	SCREW	1	M10 X 20	
	14M7296	FLANGE NUT	1	M10	
6	H146536	SUPPORT	1		
7	19M7868	SCREW	AR	M8 X 30	
	14M7298	FLANGE NUT	AR	M8	
8	H136054	HOUSING	2	SOLID	
	H136055	HOUSING	2	PERFORATED	
9	H130667	SUPPORT	1	(SUB H171006)	
	H171006	SUPPORT	1		
10	19M7785	SCREW	2	M10 X 25	
	14M7296	FLANGE NUT	2	M10	
11	19M7865	SCREW	1	M8 X 16	
	14M7298	FLANGE NUT	1	M8	
12	19M7785	SCREW	2	M10 X 25	
13	11M7081	COTTER PIN	1	2.500 X 20 MM	
14	RV810A	PIN	1		
15	H101297	LEVER	1		
16	H105519	U-BOLT	1		
	24M7139	WASHER	2	6.400 X 18 X 1.600 MM	
	14M7397	LOCK NUT	2	M6	
17	AH130892	DOOR	1	SOLID	
	AH130893	DOOR	1	PERFORATED	
18	H76083	PIN	3	CUT TO LENGTH	
19	03M7184	BOLT	2	M8 X 20	
	14M7298	FLANGE NUT	2	M8	
20	H130661	BRACKET	1		
21	AH130886	SHIELD	1		
22	H147846	DEFLECTOR	1		
23	03M7183	BOLT	2	M8 X 16	
	14M7298	FLANGE NUT	2	M8	
24	19M7865	SCREW	1	M8 X 16	
25	AH169233	KIT	1	COMPLETE TAILINGS ELEVATOR HOUSING, (SUB FOR AH141573 OR AH156177)	
26	TOOL	1	(A)	
27	AH142163	SUPPORT	1		
28	H160715	SHIELD	1		
29	AH149543	CRANK	1	(A)	
30	H154959	SHIELD	1		
31	19M7775	SCREW	1	M6 X 16	
32	14M7303	FLANGE NUT	1	M6	
33	H141549	CLAMP	1		
34	A44990	LATCH	1		
35	24M7239	WASHER	2	10.700 X 21 X 2.500 MM	
36	14M7296	FLANGE NUT	2	M10	
37	34M7027	SPRING PIN	1	(A) 4 X 20 MM	
38	M80082	NUT	8		
39	03M7221	BOLT	8	M6 X 16	
40	14M7303	FLANGE NUT	8	M6	
41	H168019	COVER	2		
..	AH164570	KIT	1	(INCLUDES PARTS MARKED (A))	
..	BH71710	COMPLETE GOODS/SHIP. BUNDLE	1	PERFORATED DOORS	

4J9

RESIDUE DISPOSAL

TAILINGS ELEVATOR CONVEYOR CHAIN, SPROCKETS AND BEARINGS

HP3135 -UN-01JAN94



HP3135

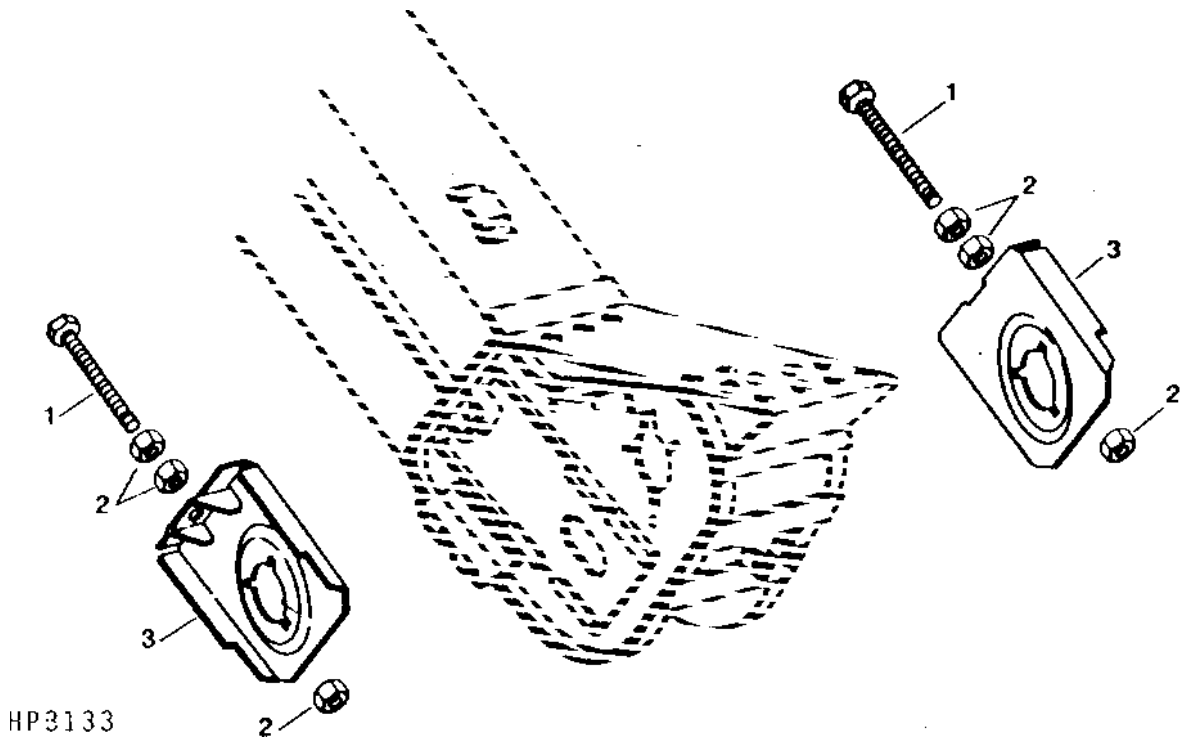
KEY	PART NO.	PART NAME	QTY	SERIAL NO.	REMARKS
1	14M7277	NUT	1	M20	
2	24M7277	WASHER	1	21 X 60 X 4 MM	
3	AH130571	CHAIN SPROCKET	1	30 TOOTH, DRIVE	
4	03M7190	BOLT	AR	M10 X 20	
	14M7296	FLANGE NUT	AR	M10	
5	E10018	PRESSED FLANGED HOUSING	4		
6	JD9313	BALL BEARING	2		
7	H134606	SPACER	1		
8	H134603	CHAIN SPROCKET	1	8 TOOTH (CONVEYOR)	
9	AH130570	SHAFT	1	UPPER CONVEYOR	
10	AH131074	LINK CHAIN	1	(CA550 ROLLER CHAIN) (25 PADDLES)	
	AH158635	CHAIN LINK	1	ROLLER	
	AH137631	CHAIN LINK	1	OFFSET	
	AC11779	PIN	1		
	C10263	TRACK CHAIN W/O SHOES	1	COUPLER	
	AC14974	PIN	1		
	H135235	PADDLE	25	RUBBER	
	H86760	PADDLE	1	STEEL CLEANING	
	AH87765	CHAIN LINK	25		
11	ROLLER CHAIN	1	ROLLER, TYPE 50, 16MM (5/8") PITCH, 124 LINKS (ASSEMBLE FROM AH18482 OR AP2245 AND (1) P20351)	
12	AH86897	BOLT	AR		

4J10

RESIDUE DISPOSAL

LOWER TAILINGS AUGER CHAIN TIGHTENER

HP3133 -UN-01JAN94



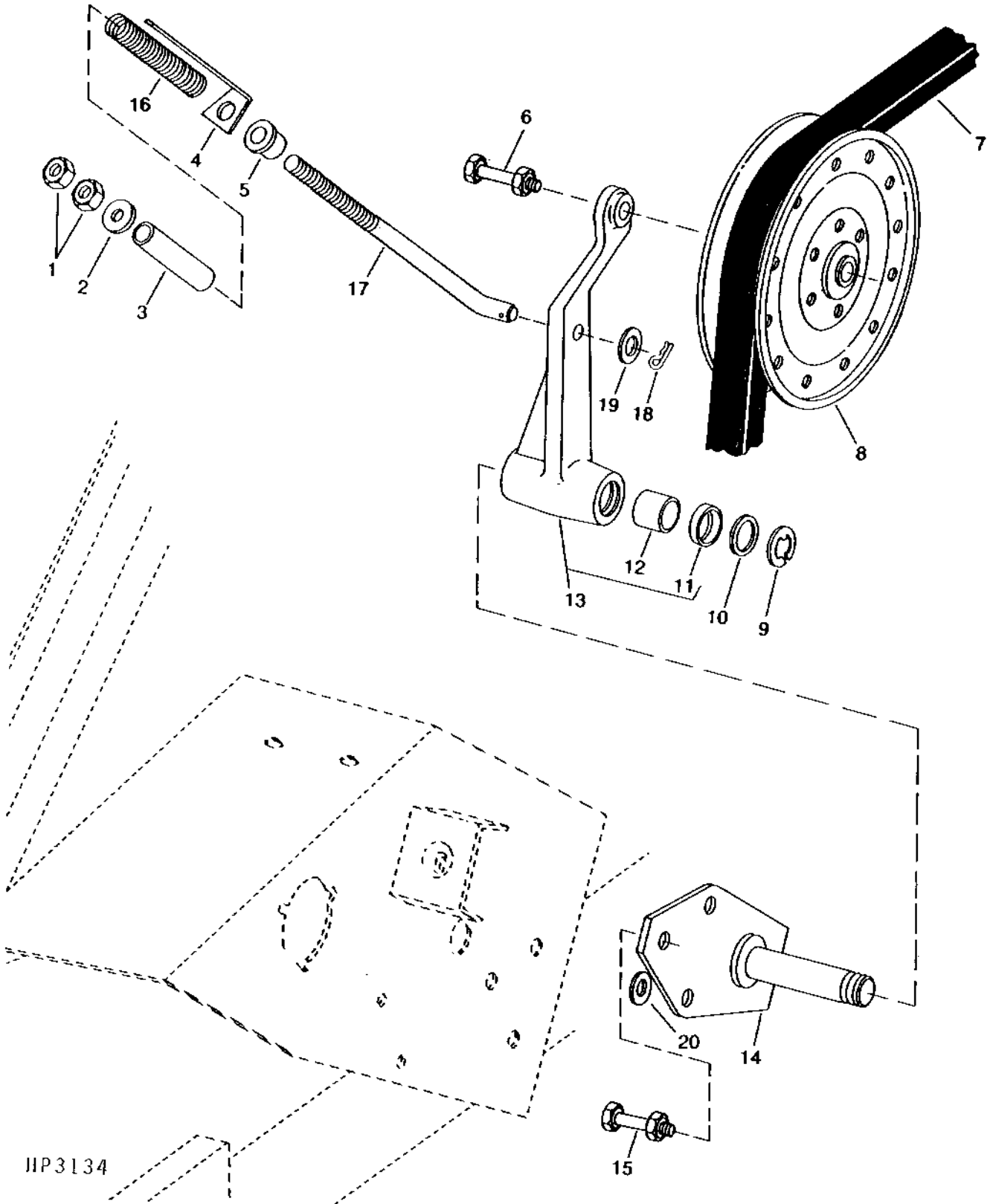
KEY	PART NO.	PART NAME	QTY	SERIAL NO.	REMARKS
1	19M7596	CAP SCREW	2	M16 X 160	
2	14M7276	NUT	6	M16	
3	AH130884	BRACKET	2		

4J11

RESIDUE DISPOSAL

LOWER TAILINGS AUGER DRIVE TIGHTENER

HP3134 -UN-01JAN94



HP3134

4J12

RESIDUE DISPOSAL

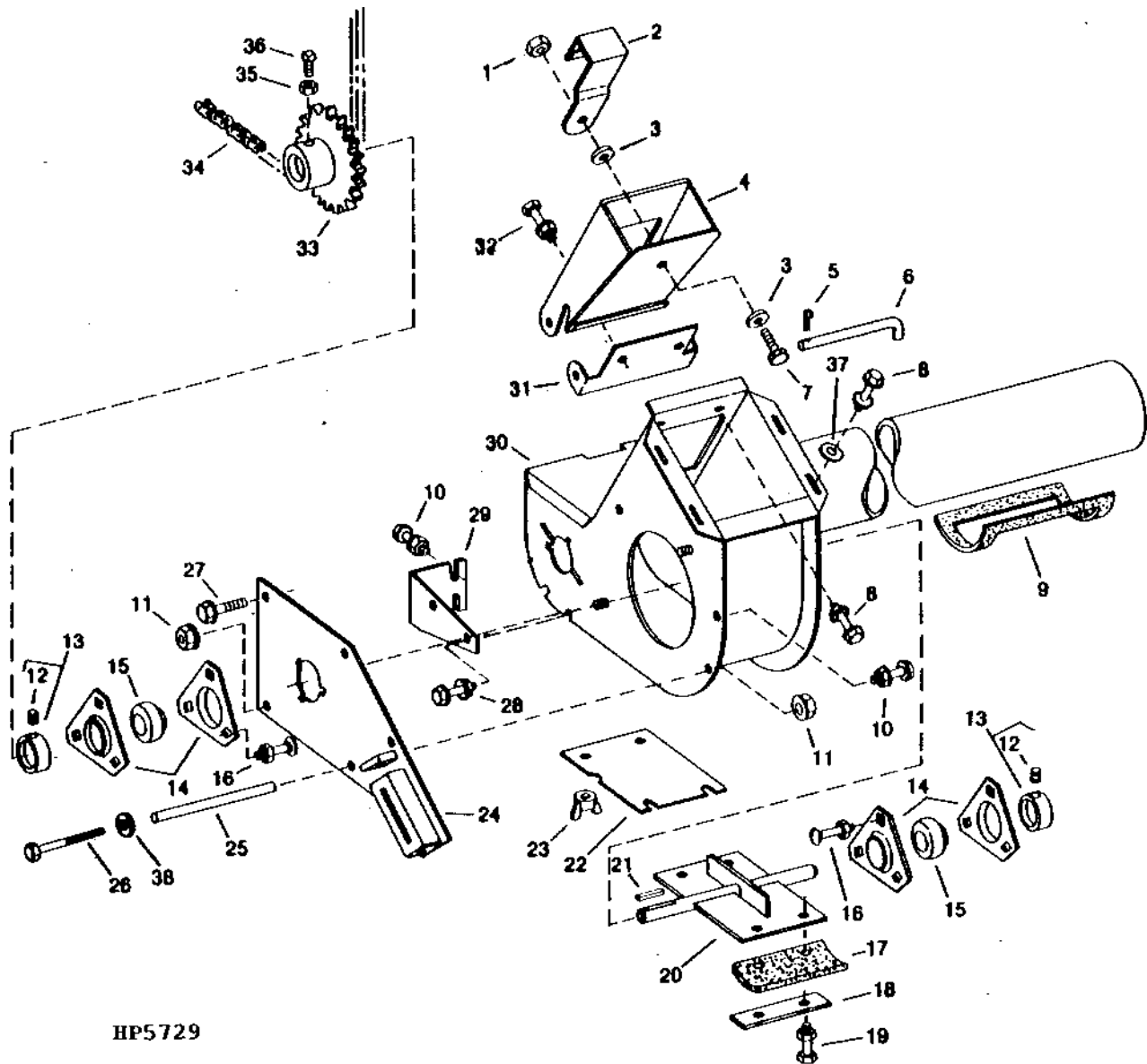
LOWER TAILINGS AUGER DRIVE TIGHTENER - CONTINUED

KEY	PART NO.	PART NAME	QTY	SERIAL NO.	REMARKS
1	14M7275	NUT	2	M12	
2	24M7180	WASHER	1	13 X 37 X 3 MM	
3	TY22326	BULK HOSE	AR	BULK HOSE	
4	H127872	GAUGE	1		
5	H129207	PIVOT	1		
6	19M7824	SCREW	1	M16 X 60	
	14M7291	FLANGE NUT	1	M16	
7	N110085	BELT	1		
8	AH97031	IDLER	1		
9	P46402	SNAP RING	1		
10	24M7091	WASHER	1	26 X 44 X 4 MM	
11	AA5607R	SEAL	2		
12	H99147	BUSHING	2	(SUB H171061)	
	H171061	BEARING	2		
13	AH126865	ARM	1	ELEVATOR DRIVE	
14	AH156051	SPRING PIN	1		
15	19M7785	SCREW	3	M10 X 25	
	14M7296	FLANGE NUT	3	M10	
16	H26552	SPRING	1		
17	H118948	HOOK BOLT	1	IDLER	
18	11M7021	COTTER PIN	1	4 X 25 MM	
19	24M7047	WASHER	1	13 X 24 X 2.500 MM	
20	24M7178	WASHER	AR	10.500 X 30 X 2.500 MM	

4J13

RESIDUE DISPOSAL

UPPER TAILINGS AUGER HOUSING AND PADDLE ASSEMBLY
HP5729 -UN-01JAN94



HP5729

4J14

RESIDUE DISPOSAL

UPPER TAILINGS AUGER HOUSING AND PADDLE ASSEMBLY - CONTINUED

KEY	PART NO.	PART NAME	QTY	SERIAL NO.	REMARKS
1	14M7397	LOCK NUT	1	M6	
2	H133541	LATCH	1		
3	24M7139	WASHER	2	6.400 X 18 X 1.600 MM	
4	AH130136	DOOR	1		
5	J16931	SPRING LOCKING PIN	1		
6	H134068	PIN	1		
7	19M7775	SCREW	1	M6 X 16	
8	19M7866	SCREW	6	M8 X 20	
	14M7298	FLANGE NUT	6	M8	
9	H143735	SEAL	1		
10	19M7866	SCREW	3	M8 X 20	
	14M7298	FLANGE NUT	3	M8	
11	14M7298	FLANGE NUT	3	M8	
12	22M7080	SET SCREW	2	M8 X 8	
13	AZ10045	ECCENTRIC LOCKING COLLAR	2		
14	E10018	PRESSED FLANGED HOUSING	AR		
15	JD39103	BALL BEARING	2		
16	03M7191	BOLT	AR	M10 X 25	
	14M7296	FLANGE NUT	AR	M10	
17	H131639	PADDLE	4	RUBBER	
18	H131638	STRAP	4		
19	19M7868	SCREW	AR	M8 X 30	
	14M7396	LOCK NUT	AR	M8	
20	AH128581	PADDLE	1		
21	SHAFT KEY	AR	8 X 7 X 40 MM (IN AH141142 KEY STOCK KIT) (CUT FROM H150269)	
22	H135309	COVER	1	CLEAN OUT	
23	14M7020	WING NUT	AR	M8	
24	AH128664	SUPPORT	1	IDLER	
25	H140467	BUSHING	1	9.246 X 13.716 X 104.775 MM (0.364" X 0.540" X 4-1/8")	
26	19M8404	CAP SCREW	1	M8 X 130	
27	19M7864	SCREW	1	M8 X 12	
28	19M7862	SCREW	2	M6 X 20	
	14M7303	FLANGE NUT	2	M6	
29	H147967	SUPPORT	1		
30	AH149179	TUBE	1		
31	H134065	HINGE	1		
32	19M7865	SCREW	2	M8 X 16	
	14M7298	FLANGE NUT	2	M8	
33	AH126008	CHAIN SPROCKET	1	30 TOOTH	
34	AH126007	ROLLER CHAIN	1	ROLLER, TYPE 50, 124 LINKS	
35	14M7274	NUT	2	M10	
36	H138435	SET SCREW	2		
37	24M7207	WASHER	4	8.400 X 24 X 2 MM	
38	24M7055	WASHER	1	8.400 X 16 X 1.600 MM (0.331" X 0.630" X 0.063")	

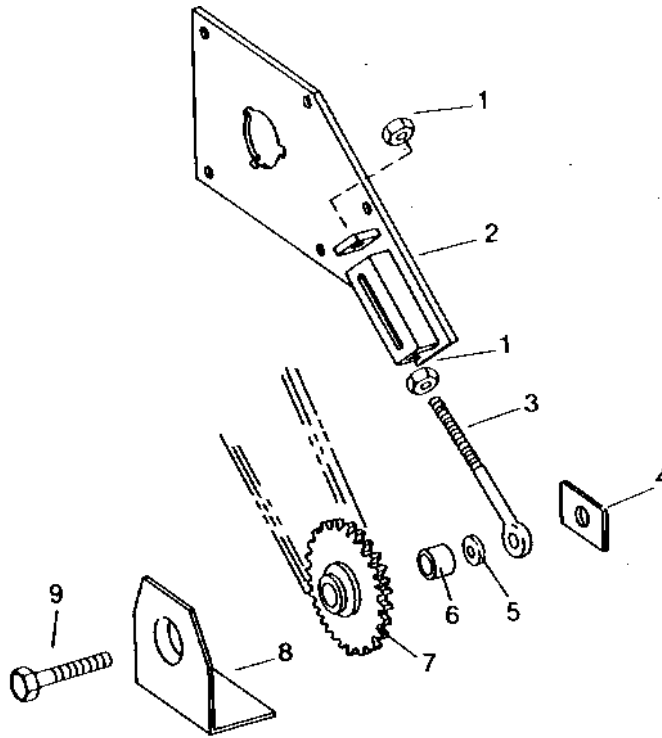
4J15

RESIDUE DISPOSAL

UPPER TAILINGS DRIVE CHAIN TIGHTENER
 HP3142 -UN-01JAN94



HP3142



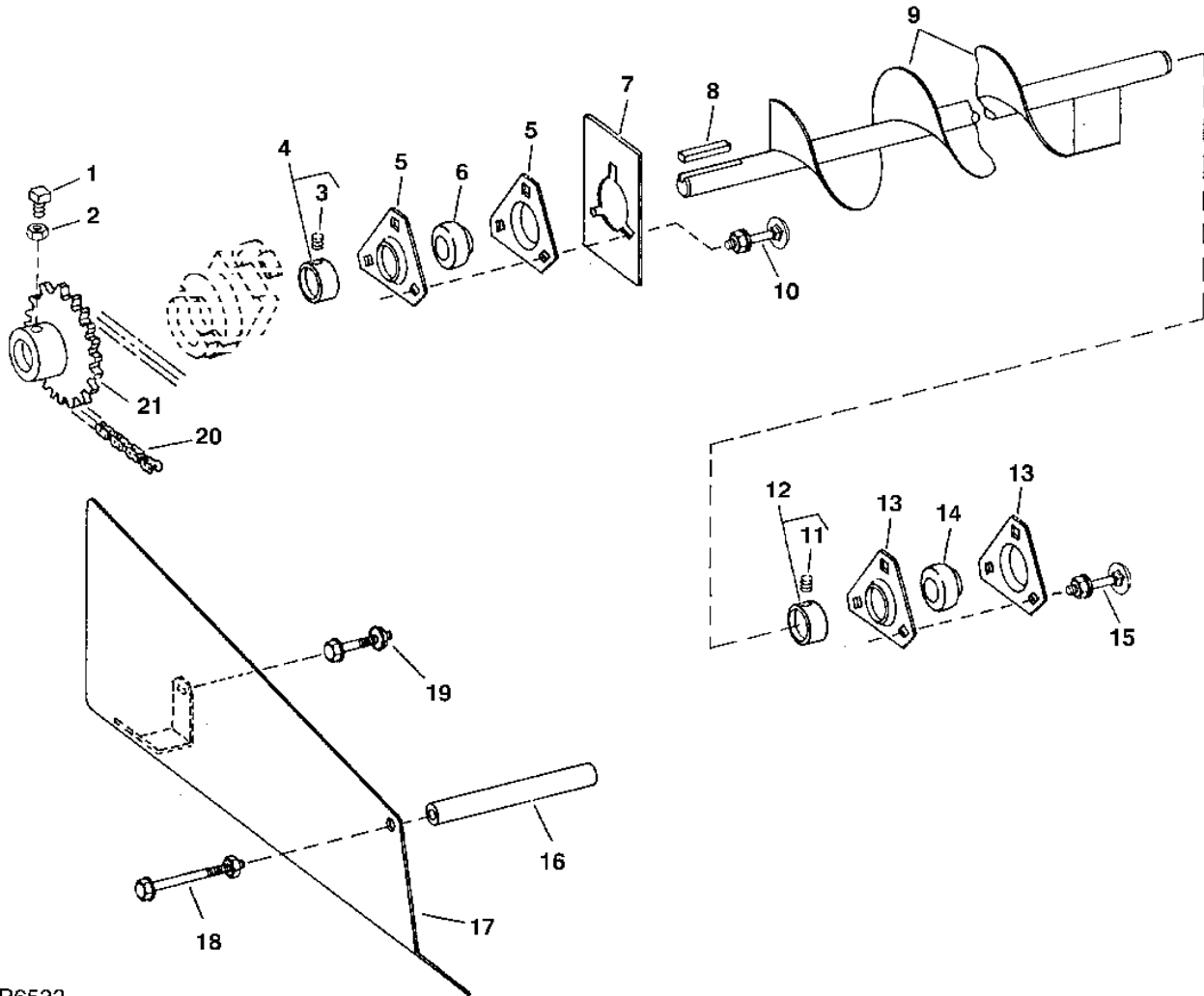
KEY	PART NO.	PART NAME	QTY	SERIAL NO.	REMARKS
1	14H1040	NUT	2	1/2"	
2	AH128664	SUPPORT	1	IDLER	
3	H130956	EYEBOLT	1		
4	H130957	NUT	1	M12	
5	24M7047	WASHER	1	13 X 24 X 2.500 MM	
6	28H1597	WASHER	1	0.546" X 0.840" X 3/8"	
7	AH98176	CHAIN SPROCKET	1	17 TOOTH	
8	H133031	SHIELD	1		
9	19M7363	CAP SCREW	1	M12 X 60	

MEMORANDA

4J16

RESIDUE DISPOSAL

UPPER TAILINGS AUGER, DRIVE AND SHIELD
HP6533 -UN-23AUG96



HP6533

4J17

RESIDUE DISPOSAL

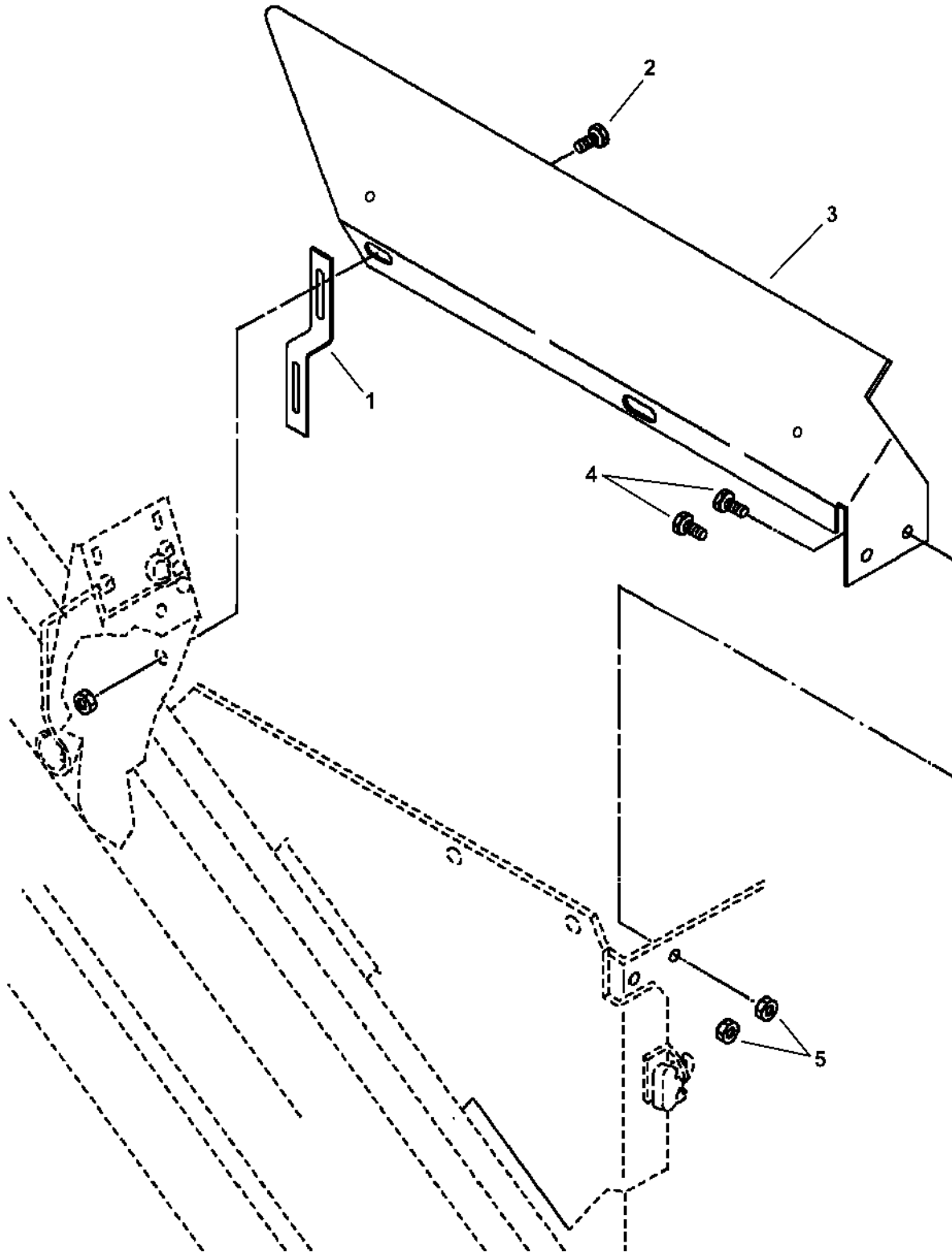
UPPER TAILINGS AUGER, DRIVE AND SHIELD - CONTINUED

KEY	PART NO.	PART NAME	QTY	SERIAL NO.	REMARKS
1	H138435	SET SCREW	2		
2	14M7274	NUT	2	M10	
3	22M7079	SET SCREW	1	M6 X 6	
4	AZ10044	ECCENTRIC LOCKING COLLAR	1		
5	H103264	PRESSED FLANGED HOUSING	2		
6	JD39102	BALL BEARING	1		
7	H148633	END PLATE	1		
8	49M4111	SHAFT KEY	1	8 X 7 X 40 MM	
9	AH125895	AUGER	1		
10	03M7184	BOLT	AR	M8 X 20	
	14M7298	FLANGE NUT	AR	M8	
	22M7079	SET SCREW	1	M6 X 6	
12	AZ10044	ECCENTRIC LOCKING COLLAR	1		
13	H103264	PRESSED FLANGED HOUSING	2		
14	JD39102	BALL BEARING	1		
15	03M7184	BOLT	3	M8 X 20	
	14M7298	FLANGE NUT	3	M8	
16	H140467	BUSHING	1	9.246 X 13.716 X 104.775 MM (0.364" X 0.540" X 4-1/8")	
17	AH160994	SHIELD	1	(SUB FOR AH135207)	
18	19M8262	CAP SCREW	1	M8 X 130	
	14M7298	FLANGE NUT	1	M8	
	24M7055	WASHER	1	8.400 X 16 X 1.600 MM	
19	19M7862	SCREW	1	M6 X 20	
	14M7303	FLANGE NUT	1	M6	
20	AH126007	ROLLER CHAIN	1	ROLLER, TYPE 50, 124 LINKS	
21	AH121046	CHAIN SPROCKET	1	22 TOOTH	

4J18

RESIDUE DISPOSAL

REAR LEFT SIDE TAILINGS SHIELD
HP7454 -UN-14APR98



HP7454

4J19

RESIDUE DISPOSAL

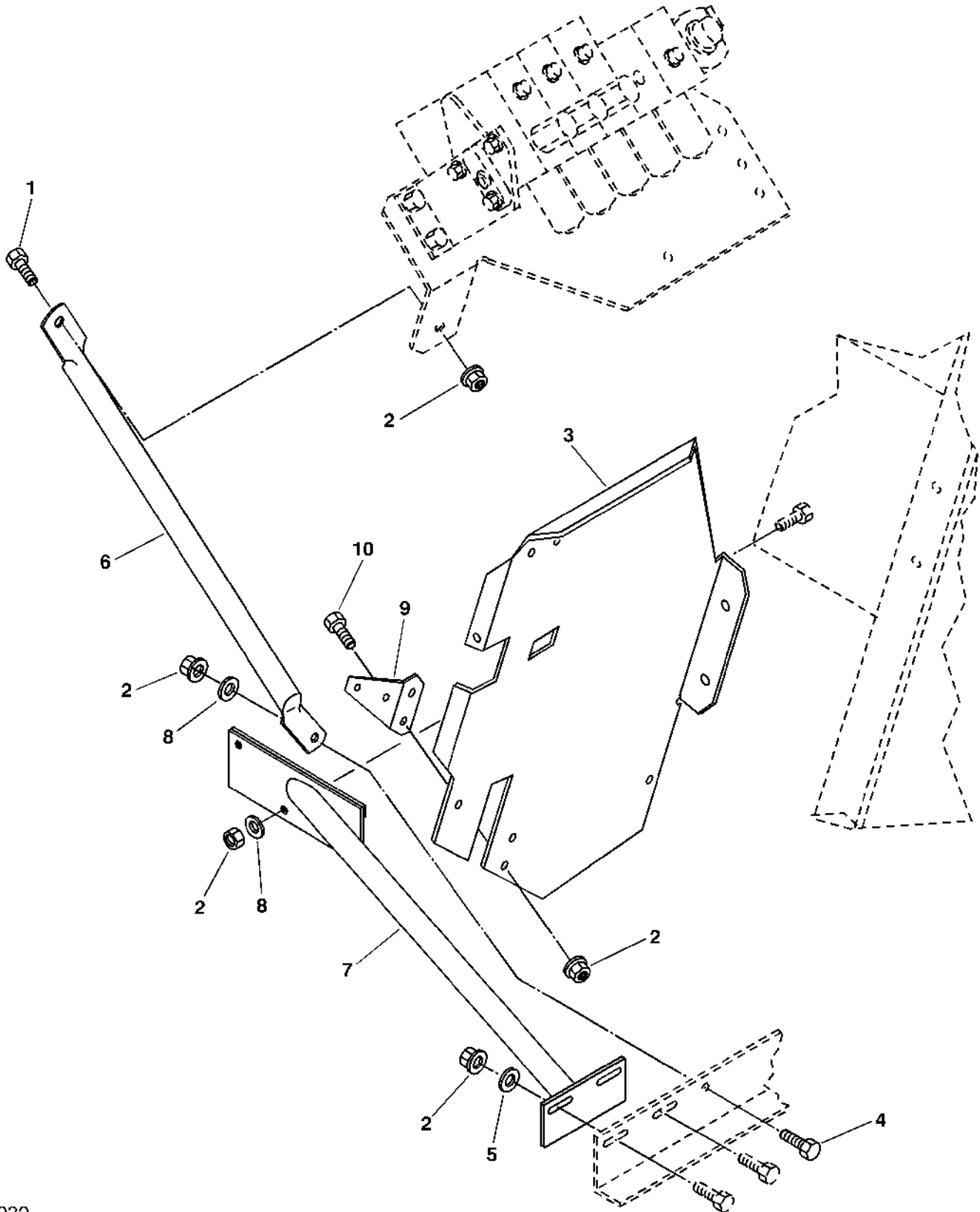
REAR LEFT SIDE TAILINGS SHIELD

KEY	PART NO.	PART NAME	QTY	SERIAL NO.	REMARKS
1	H163757	BRACKET	1		
2	19M7866	SCREW	1	M8 X 20	
3	H164556	SHIELD	1	L.H. REAR	
4	19M7865	SCREW	2	M8 X 16	
5	14M7298	FLANGE NUT	3	M8	

4J20

RESIDUE DISPOSAL

UPPER REAR TAILINGS SHIELD
HP7232 -UN-08JAN98



HP7232

4J21

RESIDUE DISPOSAL

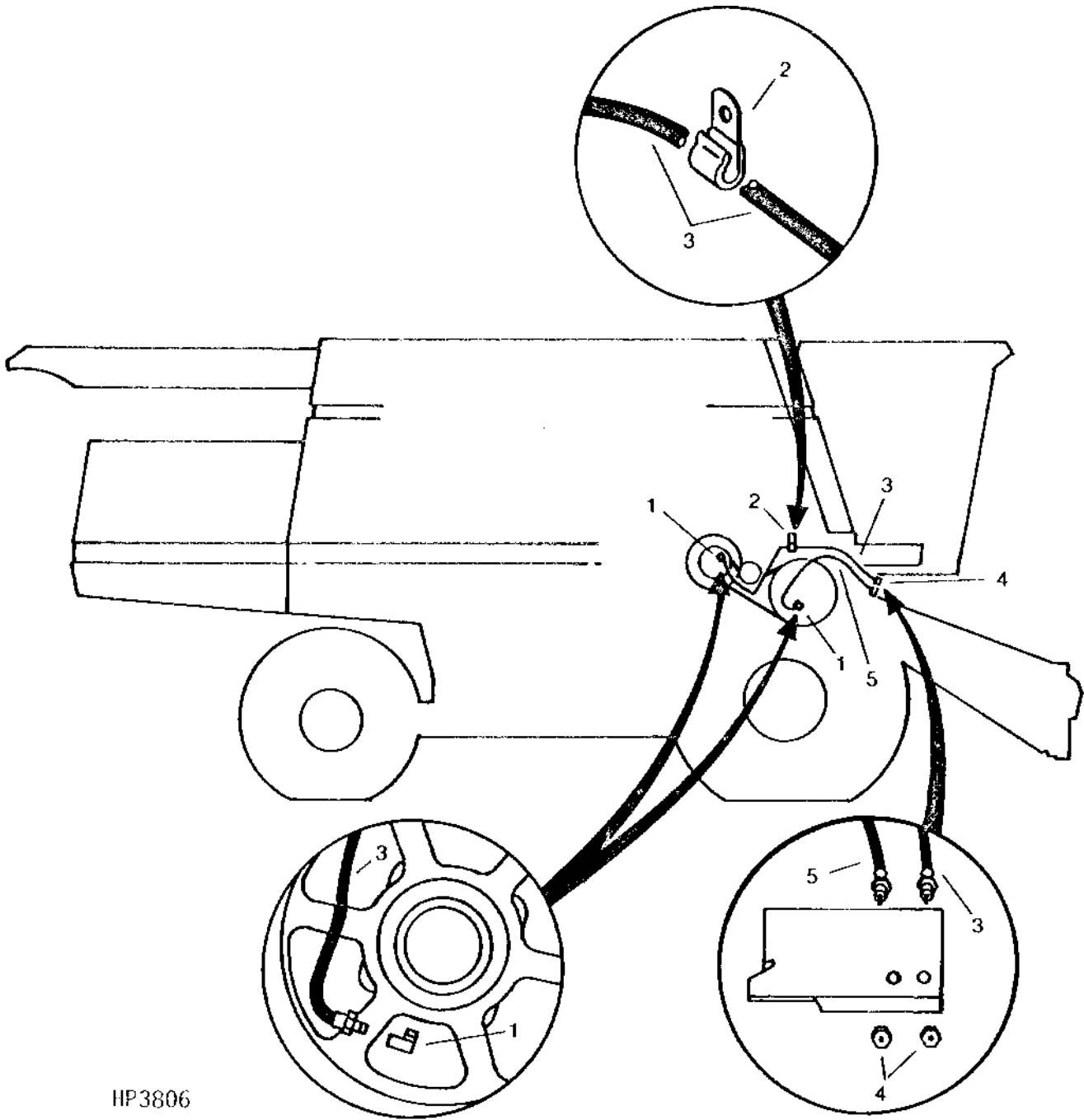
UPPER REAR TAILINGS SHEILD - CONTINUED

KEY	PART NO.	PART NAME	QTY	SERIAL NO.	REMARKS
1	19M7866	SCREW	1		M8 X 20
2	14M7298	FLANGE NUT	8		M8
3	H172116	SHIELD	1		(SUB FOR H158629)
4	19M7803	SCREW	1		M8 X 70
5	24M7241	WASHER	2		17 X 34 X 4 MM, (GRAIN ONLY)
	24M7207	WASHER	2		8.400 X 24 X 2 MM, (CORN ONLY)
6	H158638	BRACE	1		
7	AH151354	SUPPORT	1		
8	24M7207	WASHER	2		8.400 X 24 X 2 MM
9	H158615	ANGLE	1		
10	19M7865	SCREW	2		M8 X 16

4J22

RESIDUE DISPOSAL

LUBE HOSES R.H.
HP3806 -UN-01JAN94



HP3806

4J23

RESIDUE DISPOSAL

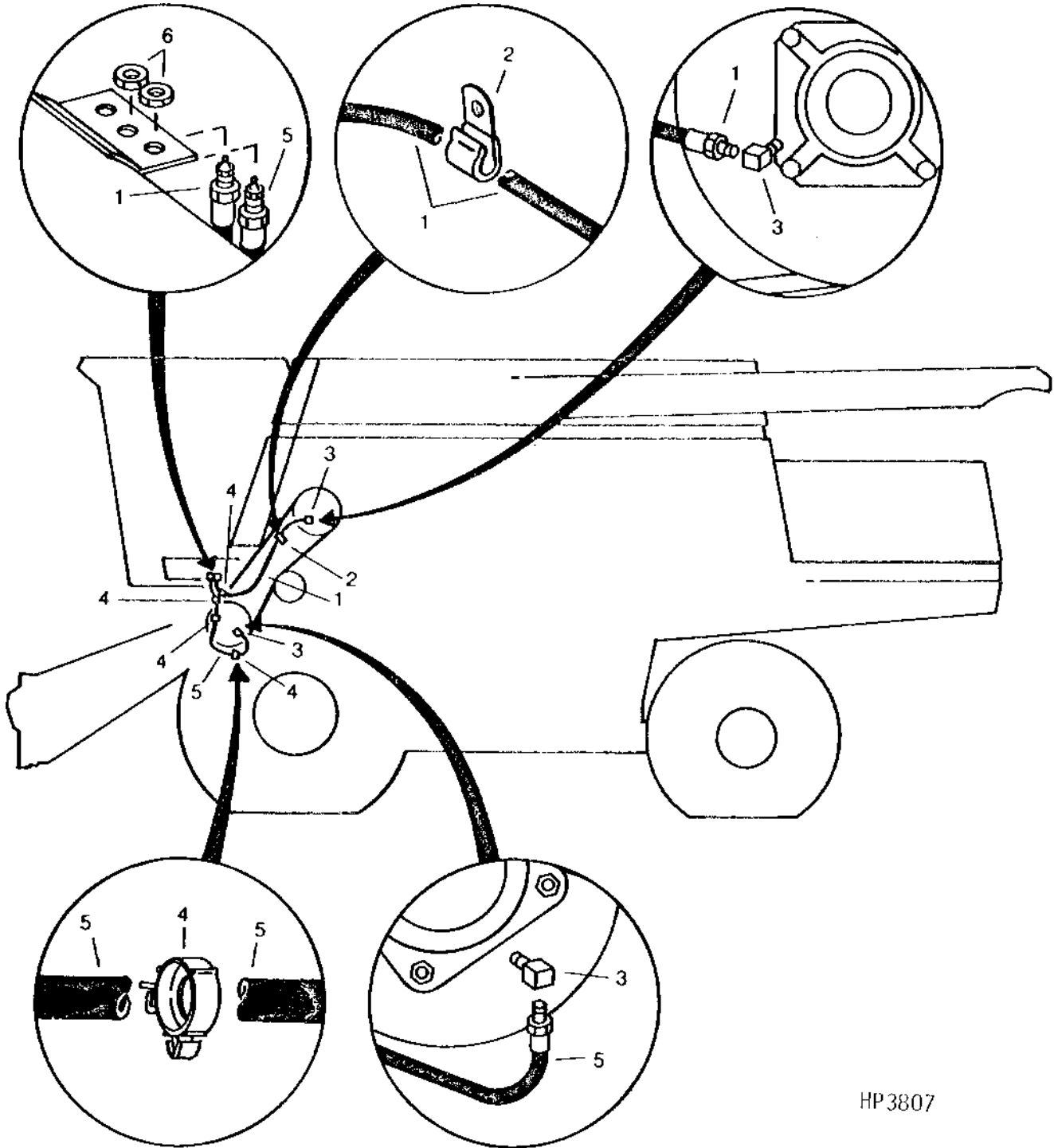
LUBE HOSES R.H. - CONTINUED

KEY	PART NO.	PART NAME	QTY	SERIAL NO.	REMARKS
1	JD7845	ELBOW FITTING	2		
2	AH96317	CLIP	1		
3	AH121007	HOSE	1		
4	E12379	NUT	2		
5	AH121009	HOSE	1		1/8" X 910 MM (35-3/4") X 1/8"

4J24

RESIDUE DISPOSAL

LUBE HOSES L.H.
HP3807 -UN-01JAN94



HP3807

4J25

RESIDUE DISPOSAL

LUBE HOSES L.H. - CONTINUED

KEY	PART NO.	PART NAME	QTY	SERIAL NO.	REMARKS
1	AH121009	HOSE	1		
2	AH96317	CLIP	1		
3	JD7845	ELBOW FITTING	2		
4	H140149	HOLD-DOWN CLIP	4		
5	AH121009	HOSE	1		1/8" X 910 MM (35-3/4") X 1/8"
6	E12379	NUT	2		

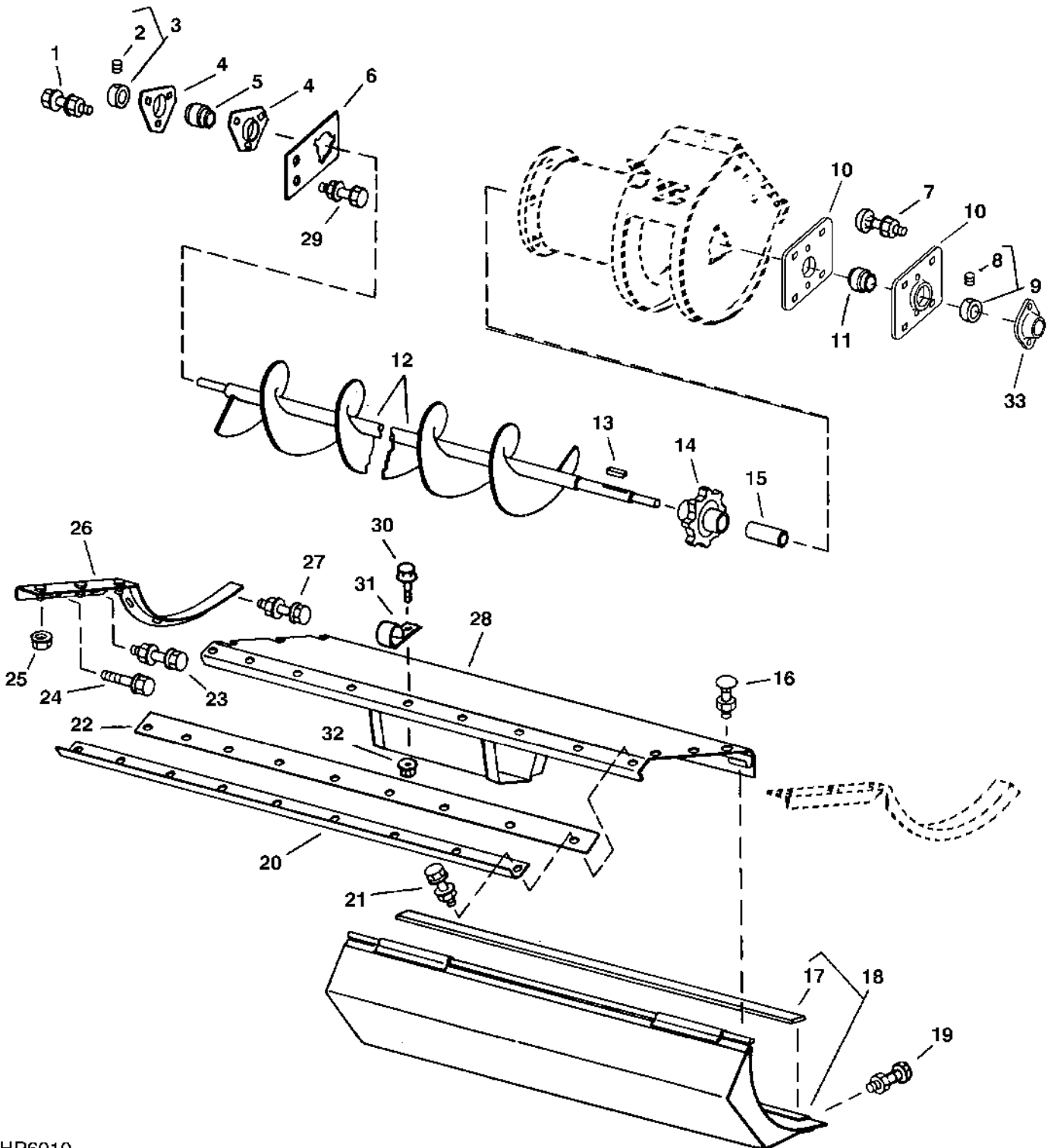
MEMORANDA

MEMORANDA

5B5

CLEAN GRAIN ELEVATOR, GRAIN TANK AND UNLOADING AUGER

CLEAN GRAIN LOWER AUGER AND HINGED DOOR
HP6910 -UN-12SEP97



HP6910

5B6

CLEAN GRAIN ELEVATOR, GRAIN TANK AND UNLOADING AUGER

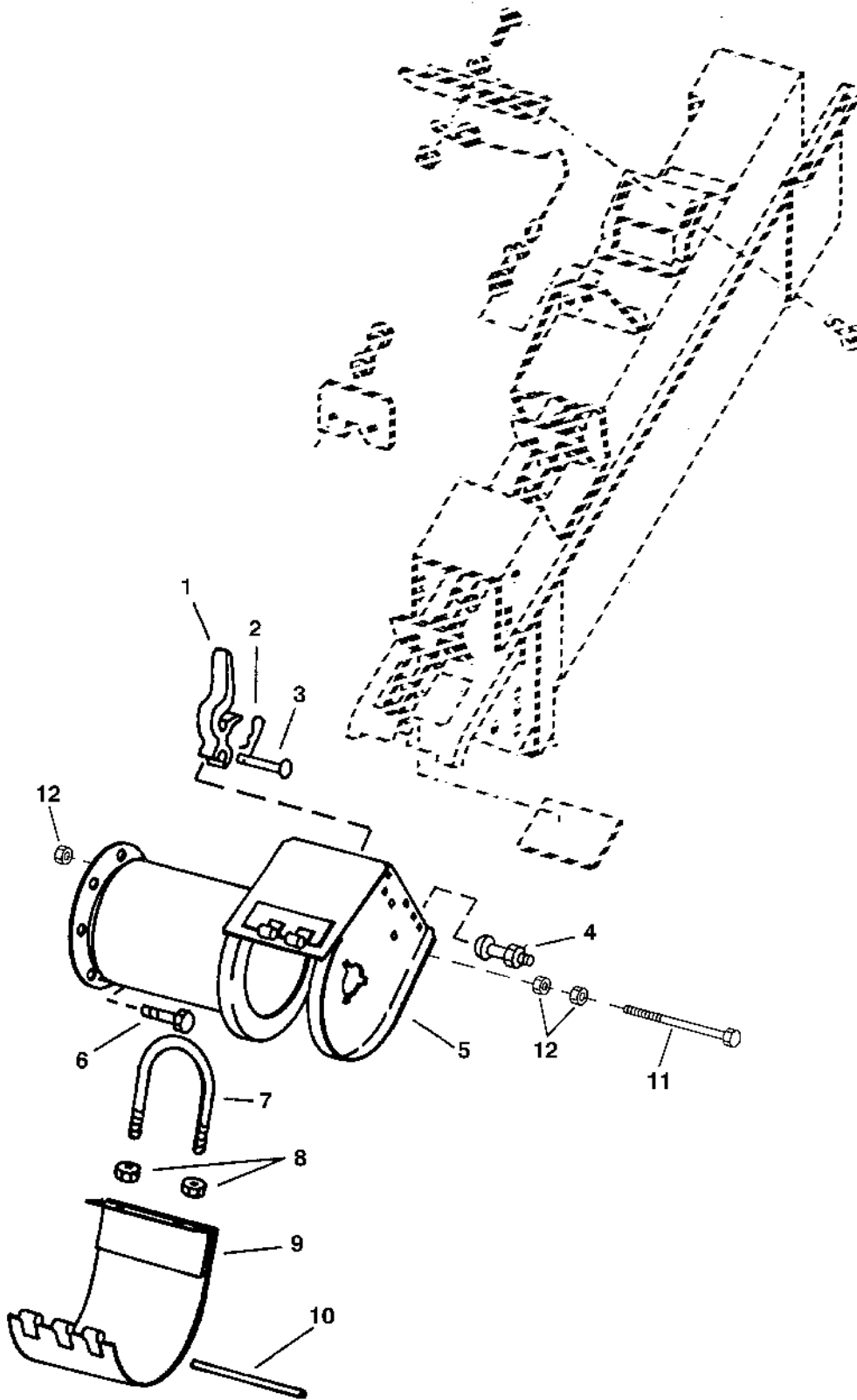
CLEAN GRAIN LOWER AUGER AND HINGED DOOR - CONTINUED

KEY	PART NO.	PART NAME	QTY	SERIAL NO.	REMARKS
1	19M7867	SCREW	3	M8 X 25	
	14M7298	FLANGE NUT	3	M8	
2	22M7079	SET SCREW	1	M6 X 6	
3	AZ10044	ECCENTRIC LOCKING COLLAR	1		
4	H103264	PRESSED FLANGED HOUSING	2		
5	JD39102	BALL BEARING	1		
6	H132539	COVER	1		
7	03M7193	BOLT	3	M10 X 35	
	Z36140	WASHER	3		
	14M7296	FLANGE NUT	3	M10	
8	22M7080	SET SCREW	1	M8 X 8	
9	AZ10045	ECCENTRIC LOCKING COLLAR	1		
10	H152916	PRESSED FLANGED HOUSING	2		
11	JD39103	BALL BEARING	1		
12	AH141577	FLIGHT	1	(INCLUDES N109389)	
	N109389	BUSHING	1	36.830 X 50.800 X 28.448 MM	
13	SHAFT KEY	1	8 X 7 40 MM (IN AH141142 KEY STOCK KIT) (CUT FROM H150269)	
14	H133143	CHAIN SPROCKET	1		
15	H150117	SPACER	1		
16	03M7183	BOLT	3	M8 X 16	
	14M7298	FLANGE NUT	3	M8	
17	H88773	ISOLATOR	AR	CUT TO 1290 MM, 50-3/4". USE ONLY ON DOOR WITH PROTECTIVE PLATE.	
18	AH139388	DOOR	1	SOLID	
	AH139389	DOOR	1	PERFORATED	
	AH139391	DOOR	1	SOLID, WITH PROTECTION PLATE	
19	19M7799	SCREW	5	M8 X 45	
	14M7396	LOCK NUT	5	M8	
20	H134308	REINFORCEMENT	1		
21	19M7866	SCREW	8	M8 X 20	
	14M7298	FLANGE NUT	8	M8	
22	H75952	SEAL	1		
23	19M7865	SCREW	2	M8 X 16	
	14M7298	FLANGE NUT	2	M8	
24	19M7865	SCREW	3	M8 X 16, INTO WELDNUT	
25	14M7298	FLANGE NUT	3	M8	
26	AH122506	REINFORCEMENT	1		
27	19M8039	SCREW	1	M8 X 80	
	14M7298	FLANGE NUT	3	M8	
	24M7055	WASHER	3	8.400 X 16 X 1.600 MM	
	19M8038	CAP SCREW	2	M8 X 85	
28	AH117277	HINGE	1		
29	19M7865	SCREW	2	M8 X 16	
	14M7298	FLANGE NUT	2	M8	
30	19M7865	SCREW	1	M8 X 16	
31	AH77884	CLIP	1		
32	14M7298	FLANGE NUT	1	M8	
33	H155968	COVER	1		
..	BH71710	COMPLETE GOODS/SHIP. BUNDLE	1	PERFORATED DOORS	
..	BH80066	COMPLETE GOODS/SHIP. BUNDLE	1	PLAIN DOOR WITH PROTECTIVE PLATES	

5B7

CLEAN GRAIN ELEVATOR, GRAIN TANK AND UNLOADING AUGER

CLEAN GRAIN LOWER ELEVATOR AND CONVEYOR CHAIN
HP6653 -UN-07MAR97



HP6653

5B8

CLEAN GRAIN ELEVATOR, GRAIN TANK AND UNLOADING AUGER

CLEAN GRAIN LOWER ELEVATOR AND CONVEYOR CHAIN - CONTINUED

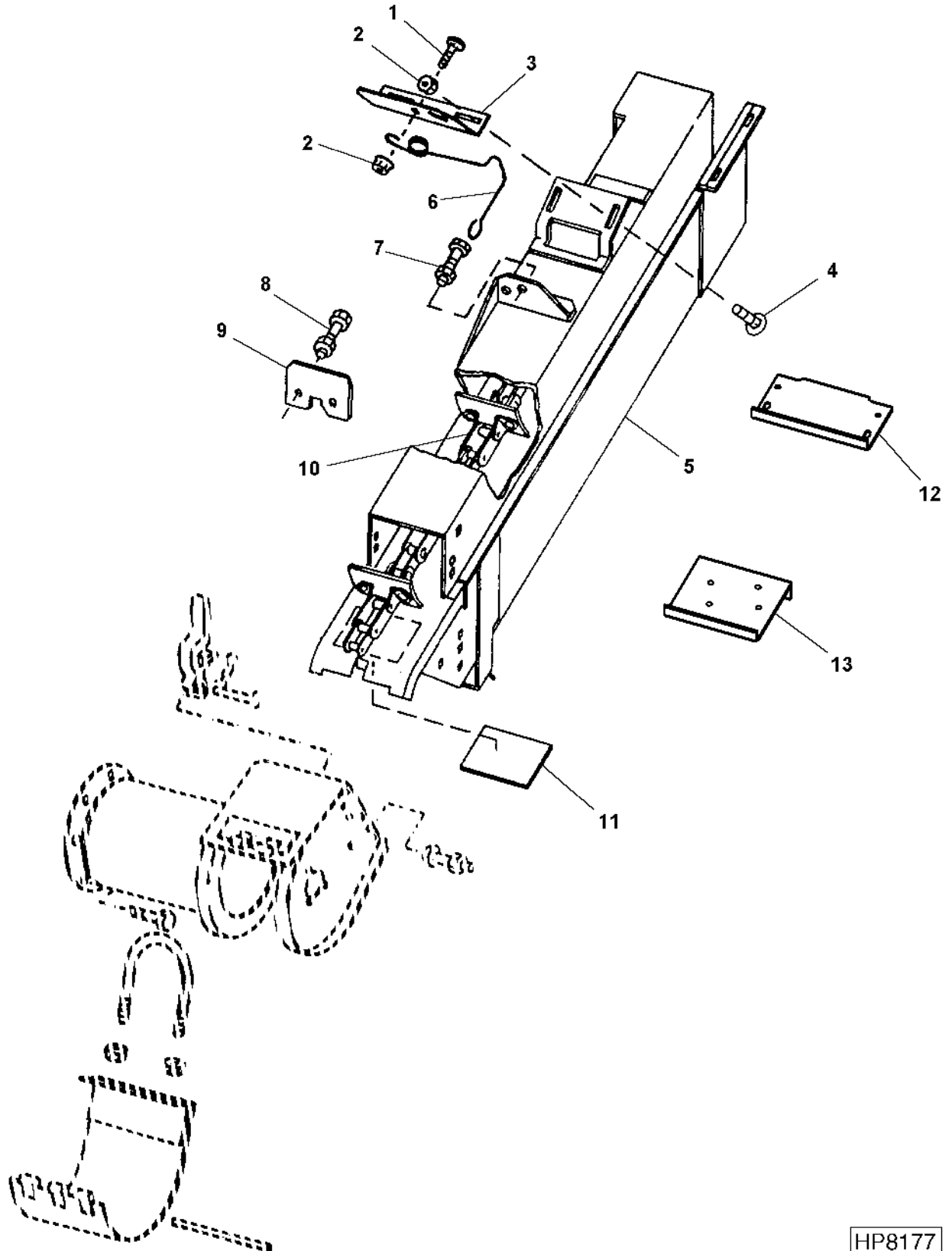
KEY	PART NO.	PART NAME	QTY	SERIAL NO.	REMARKS
1	H101297	LEVER	1		
2	11M7081	COTTER PIN	1	2.500 X 20 MM	
	11M1383	COTTER PIN	1	3.200 X 20 MM, (SUB FOR 11H211)	
3	RV810A	PIN	1		
4	03M7251	BOLT	14	M6 X 12	
	14M7303	FLANGE NUT	14	M6	
5	AH149182	BOOT	1	(STAINLESS STEEL)	
6	37M7058	SCREW	8	M8 X 20	
7	H128877	U-BOLT	1		
8	14M7396	LOCK NUT	2	M8	
9	AH129357	DOOR	1	(STAINLESS STEEL)	
	AH127396	DOOR	1	(PERFORATED)	
10	H75985	DOWEL PIN	1		
11	19M8241	CAP SCREW	1		
12	14M7296	FLANGE NUT	3		
..	BH71710	COMPLETE GOODS/SHIP. BUNDLE	1		PERFORATED DOORS

5B9

CLEAN GRAIN ELEVATOR, GRAIN TANK AND UNLOADING AUGER

CLEAN GRAIN LOWER ELEVATOR AND CONVEYOR CHAIN

HP8177 -UN-19JAN99



HP8177

5B10

CLEAN GRAIN ELEVATOR, GRAIN TANK AND UNLOADING AUGER

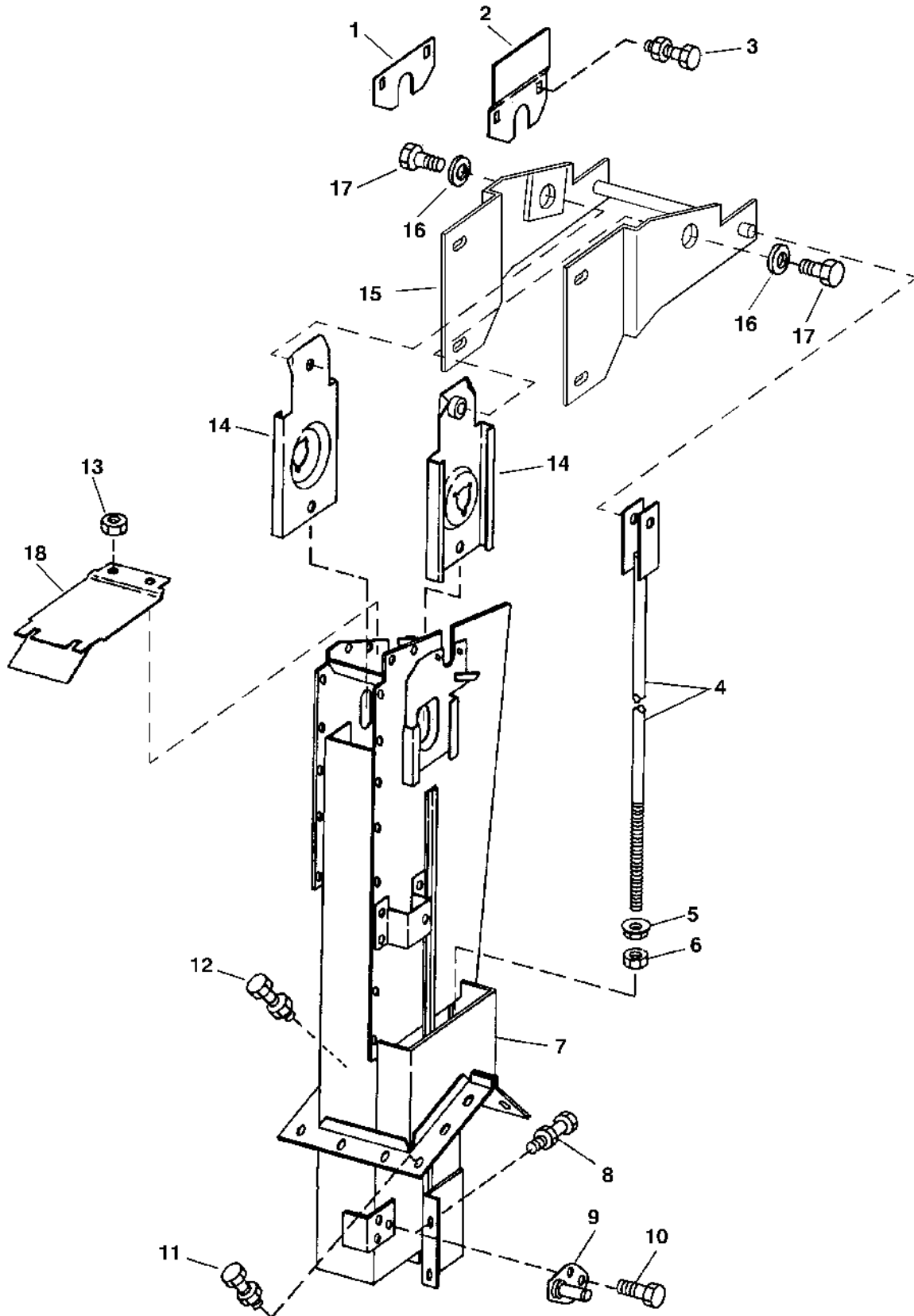
CLEAN GRAIN LOWER ELEVATOR AND CONVEYOR CHAIN - CONTINUED

KEY	PART NO.	PART NAME	QTY	SERIAL NO.	REMARKS
1	19M7784	SCREW	1		
2	14M7296	FLANGE NUT	3		
3	H129389	BRACKET	1		
4	03M7190	BOLT	2		M10 X 20
5	AH156594	ELEVATOR	1		STAINLESS STEEL
	AH156595	ELEVATOR	1		(SUB FOR AH156809) STAINLESS STEEL
6	H130930	SPRING	1		
7	19M7784	SCREW	1		
	14M7296	FLANGE NUT	1		
8	AH138947	KIT	AR		(INCLUDES H144971,12H11 AND 14H255) (REPLACES RIVETS IN RUBBER PADDLES)
	H144971	BOLT	2		3/8", FOR STEEL CLEANING PADDLES
	12H11	LOCK WASHER	2		3/8", FOR STEEL CLEANING PADDLES
	14H255	NUT	2		3/8", FOR STEEL CLEANING PADDLES
9	H132227	PADDLE	1		(STEEL CLEANING)
10	AH132806	LINK CHAIN	1		(CA-550 ROLLER CHAIN) (35 PADDLES)
	AH158635	CHAIN LINK	1		(ROLLER)
	AH137631	CHAIN LINK	1		(OFFSET, WITH PIN)
	AC11779	PIN	1		
	C10263	TRACK CHAIN W/O SHOES	1		(COUPLER)
	AC14974	PIN	1		
	H137276	PADDLE	34		(RUBBER)
	AH149320	LINK CHAIN	1		(SUB AH162441)
	AH162441	LINK CHAIN	1		
11	T37851	REINFORCEMENT	1		
12	PF80112	PLATE	1		LESS GREENSTAR
13	PF80113	PLATE	1		LESS GREENSTAR
..	03M7221	BOLT	8		M6 X 16, LESS GREENSTAR
..	14M7303	FLANGE NUT	8		M6, LESS GREENSTAR

5B11

CLEAN GRAIN ELEVATOR, GRAIN TANK AND UNLOADING AUGER

UPPER CLEAN GRAIN ELEVATOR
HP6911 -UN-05SEP97



HP6911

5B12

CLEAN GRAIN ELEVATOR, GRAIN TANK AND UNLOADING AUGER

UPPER CLEAN GRAIN ELEVATOR - CONTINUED

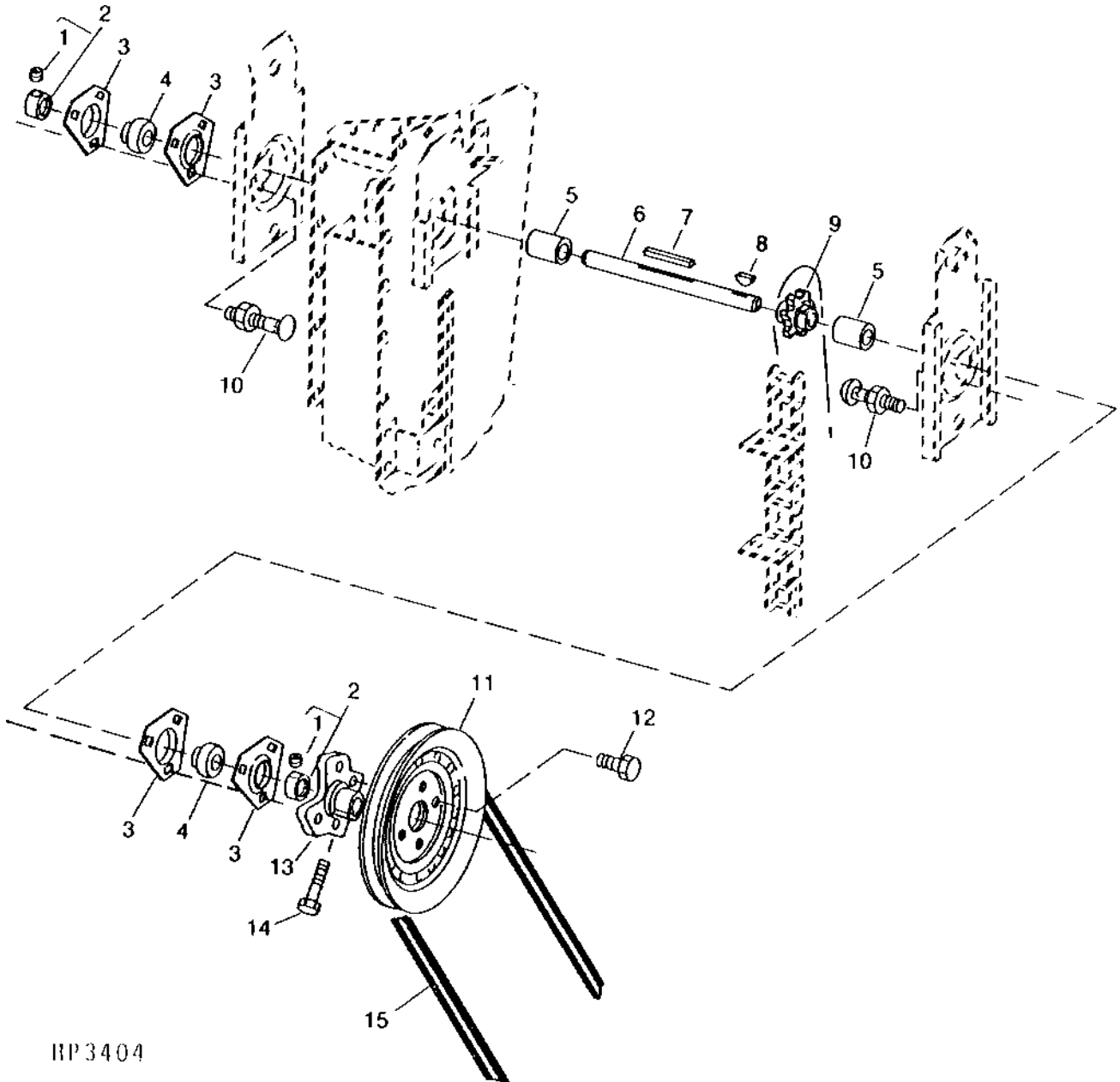
KEY	PART NO.	PART NAME	QTY	SERIAL NO.	REMARKS
1	H134286	SEAL	1		
2	H134287	SEAL	1		
3	03M7221	BOLT	2		TO PLUG HOLES WHEN MOISTURE SENSOR IS NOT USED
4	AH126354	YOKE	1		
5	14M7296	FLANGE NUT	1	M10	
6	14M7274	NUT	1	M10	
7	AH153743	ELEVATOR	1		
	AH153744	ELEVATOR	1		
8	19M7785	SCREW	4	M10 X 25	
	14M7296	FLANGE NUT	4	M10	
9	AH156051	SPRING PIN	1		
10	37M7086	SCREW	3	M10 X 20	
11	BOLT	2	(WELDED)	
	14M7298	FLANGE NUT	2	M8	
12	BOLT	12	(WELDED)	
	14M7298	FLANGE NUT	12	M8	
13	14M7298	FLANGE NUT	4	M8	
14	AH130370	BRACKET	2		
15	AH149242	BRACKET	1		
16	24H1710	WASHER	2	13/32" X 2" X 0.065"	
17	19M7865	SCREW	2	M8 X 16	
18	PF80105	DEFLECTOR	1	(SUB FOR PF80021)	

5B13

CLEAN GRAIN ELEVATOR, GRAIN TANK AND UNLOADING AUGER

UPPER CLEAN GRAIN ELEVATOR SHAFT, SPROCKET AND SHEAVE

HP3404 -UN-01JAN94



HP 3404

5B14

CLEAN GRAIN ELEVATOR, GRAIN TANK AND UNLOADING AUGER

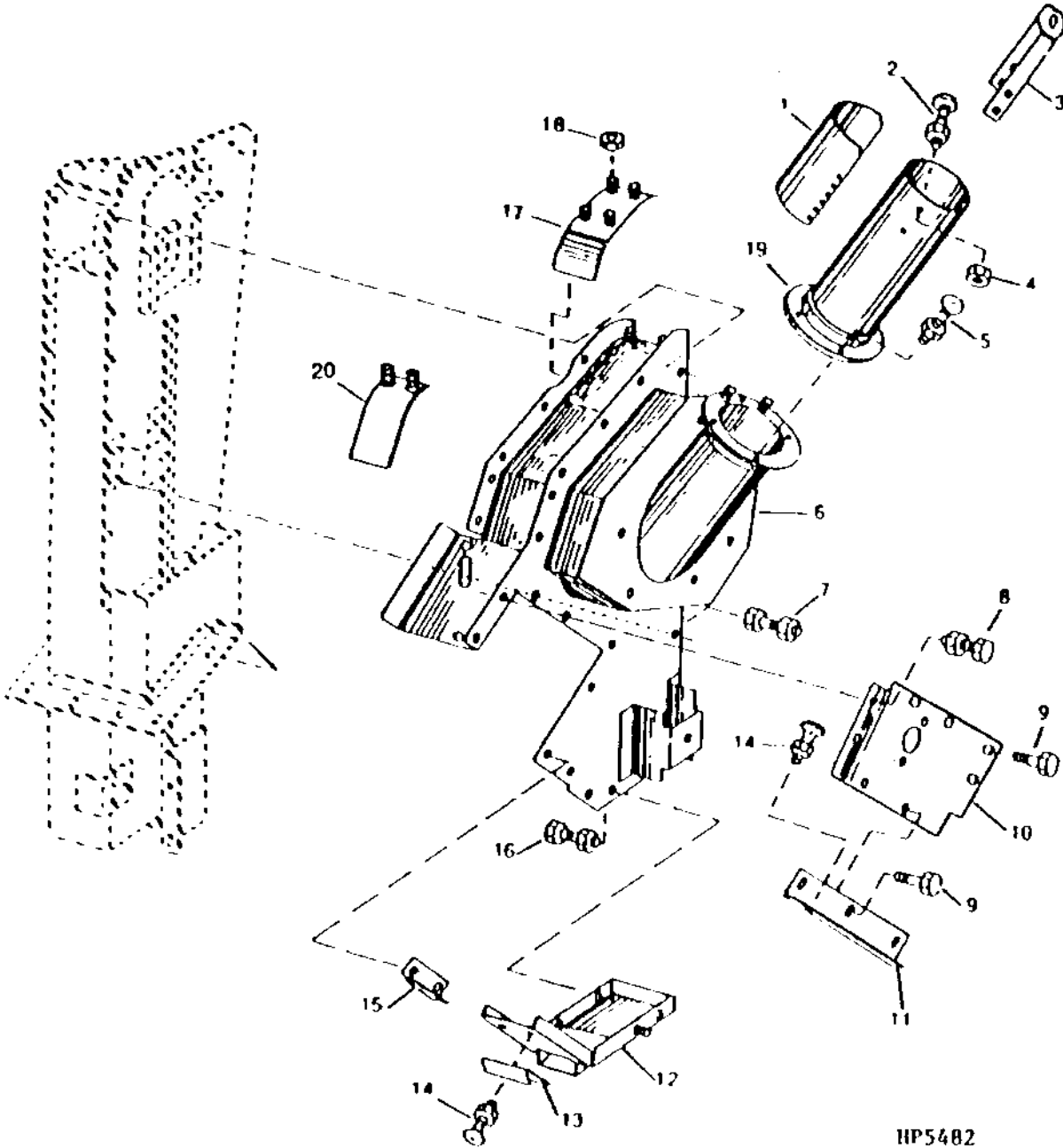
UPPER CLEAN GRAIN ELEVATOR SHAFT, SPROCKET AND SHEAVE - CONTINUED

KEY	PART NO.	PART NAME	QTY	SERIAL NO.	REMARKS
1	22M7080	SET SCREW	2		
2	AZ10045	ECCENTRIC LOCKING COLLAR	2		
3	E10018	PRESSED FLANGED HOUSING	4		
4	JD39103	BALL BEARING	2		
5	H128890	SPACER	2		
6	H135713	SHAFT	1		
7	49M6480	SHAFT KEY	1		8 X 7 X 50 MM
8	26M4228	SHAFT KEY	1		
9	H128576	CHAIN SPROCKET	1		8 TOOTH
10	03M7190	BOLT	6		M10 X 20
	14M7296	FLANGE NUT	6		M10
11	AH135463	SHEAVE	1		
12	19M7784	SCREW	4		M10 X 20
13	H134760	HUB	1		
14	19M7663	CAP SCREW	1		M8 X 70
15	H160171	BELT	1		

5B15

CLEAN GRAIN ELEVATOR, GRAIN TANK AND UNLOADING AUGER

UPPER CLEAN GRAIN LOADING AUGER HOUSING
HP5482 -UN-01JAN94



HP5482

5B16

CLEAN GRAIN ELEVATOR, GRAIN TANK AND UNLOADING AUGER

UPPER CLEAN GRAIN LOADING AUGER HOUSING - CONTINUED

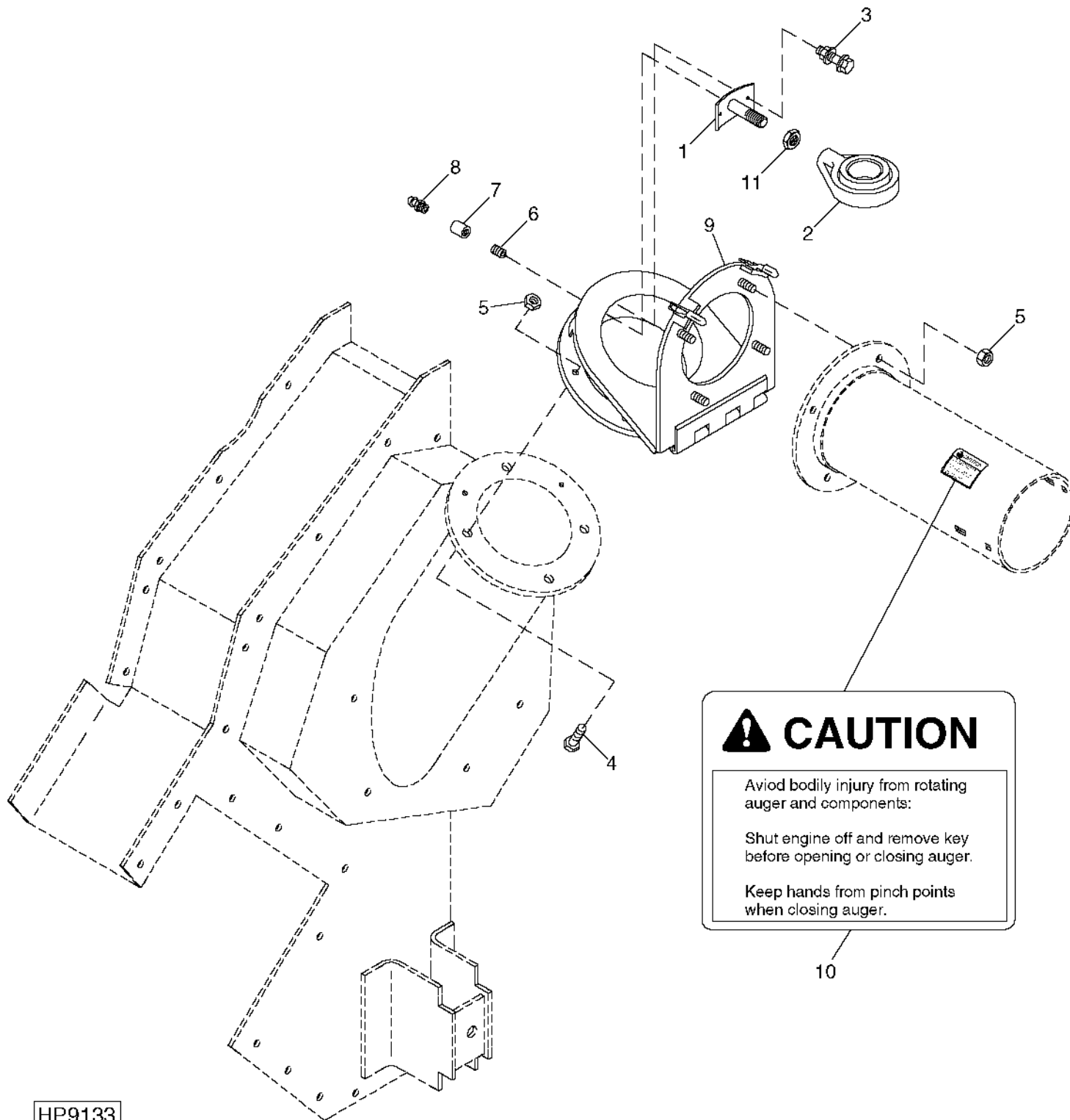
KEY	PART NO.	PART NAME	QTY	SERIAL NO.	REMARKS
1	H136095	DEFLECTOR	1		
2	03M7193	BOLT	4	M10 X 35	
	14M7296	FLANGE NUT	4	M10	
3	AH135439	SUPPORT	1		
4	14M7296	FLANGE NUT	4	M10	
5	03M7185	BOLT	4	M8 X 25	
	14M7298	FLANGE NUT	4	M8	
6	AH149183	CHUTE	1	REGULAR STEEL	
	AH149184	CHUTE	1	STAINLESS STEEL	
7	19M7865	SCREW	1	M8 X 16	
	14M7298	FLANGE NUT	9	M8	
8	19M7866	SCREW	10	M8 X 20	
	14M7298	FLANGE NUT	2	M8	
9	37M7086	SCREW	8	M10 X 20	
10	AH135441	PANEL	1		
11	H141033	ANGLE	1		
12	AH131550	DUST SHIELD	1		
13	H135538	ANGLE	1		
14	03M7183	BOLT	3	M8 X 16	
	14M7298	FLANGE NUT	3	M8	
15	H140096	ANGLE	1		
16	19M7865	SCREW	3	M8 X 16	
	14M7298	FLANGE NUT	3	M8	
17	AH135440	PLATE	1		
18	14M7298	FLANGE NUT	4	M8	
19	AH135444	HOUSING	1		
	AH135445	HOUSING	1	STAINLESS STEEL	
20	AH142630	HOOD	1		

5B17

CLEAN GRAIN ELEVATOR, GRAIN TANK AND UNLOADING AUGER

FOLDING UPPER CLEAN GRAIN LOADING AUGER HOUSING

HP9133 -UN-01OCT99



CAUTION

Avoid bodily injury from rotating auger and components:

Shut engine off and remove key before opening or closing auger.

Keep hands from pinch points when closing auger.

10

HP9133

5B18

CLEAN GRAIN ELEVATOR, GRAIN TANK AND UNLOADING AUGER

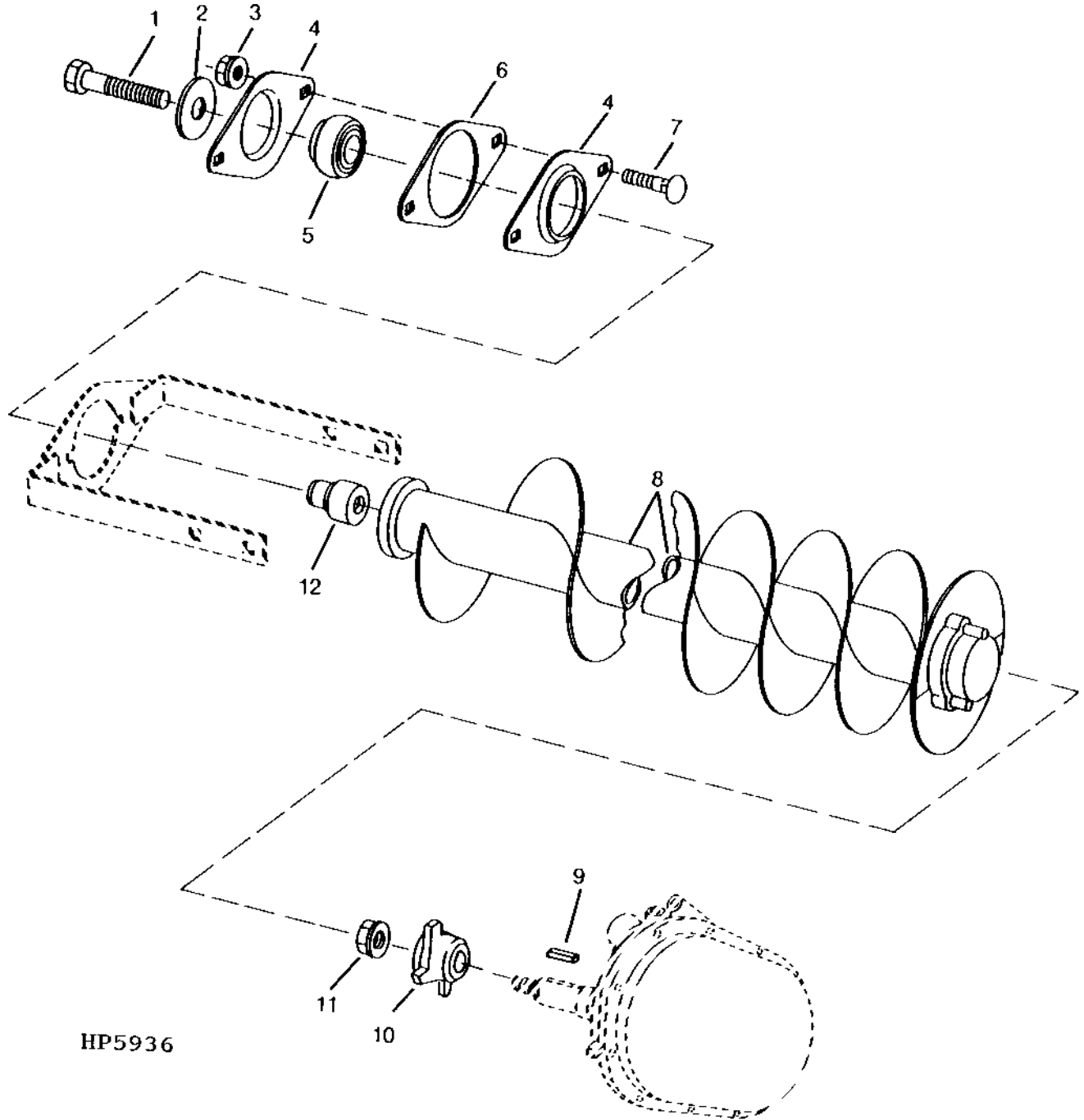
FOLDING UPPER CLEAN GRAIN LOADING AUGER HOUSING - CONTINUED

KEY	PART NO.	PART NAME	QTY	SERIAL NO.	REMARKS
1	AH146218	HANGER	1		
2	AH146221	BEARING	1		INCLUDES HANGER
3	19M7867	SCREW	2		M8 X 25
	14M7298	FLANGE NUT	2		M8
4	03M7185	BOLT	4		M8 X 25
5	14M7298	FLANGE NUT	8		M8
6	29H31	THREADED NIPPLE	1		
7	15H73	COUPLING	1		
8	JD7759	LUBRICATION FITTING	1		
9	AH146216	HINGE	1		
10	H151397	SIGN	1		"CAUTION" FOLDING AUGER
11	H160319	NUT	1		
..	BH80337	COMPLETE GOODS/SHIP. BUNDLE	1		FOLDING GRAIN TANK AUGER
..	BH81122	COMPLETE GOODS/SHIP. BUNDLE	1		PARTS BOX - AUGER ASSEMBLY - FOLDING UPPER
..	BH81124	COMPLETE GOODS/SHIP. BUNDLE	1		PARTS BOX - AUGER ASSEMBLY - LOWER

5B19

CLEAN GRAIN ELEVATOR, GRAIN TANK AND UNLOADING AUGER

CLEAN GRAIN LOADING AUGER
HP5936 -UN-26JUN95



5B20

CLEAN GRAIN ELEVATOR, GRAIN TANK AND UNLOADING AUGER

CLEAN GRAIN LOADING AUGER - CONTINUED

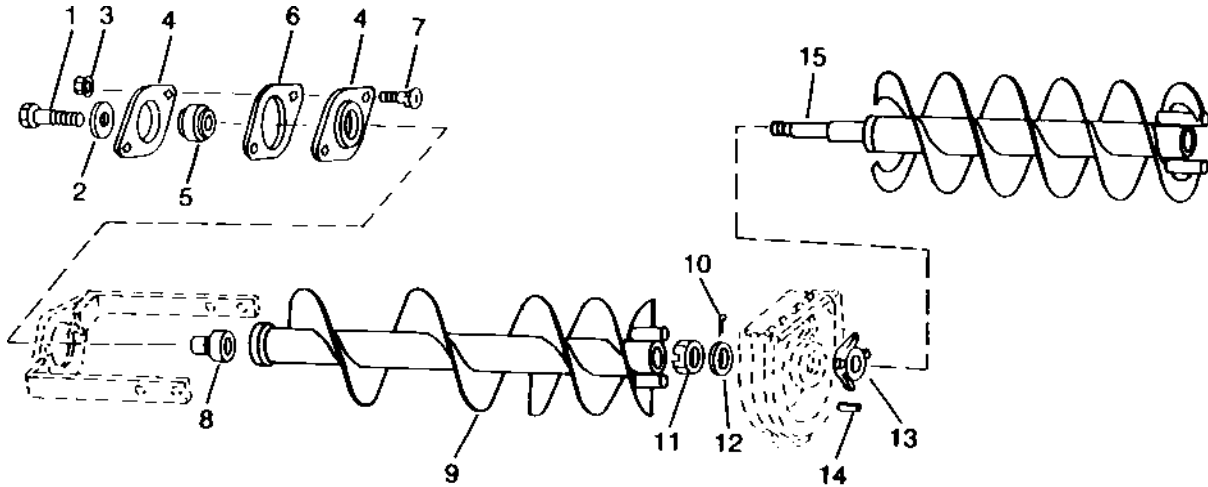
KEY	PART NO.	PART NAME	QTY	SERIAL NO.	REMARKS
1	19M7818	SCREW	1	M12 X 80	
2	24M7180	WASHER	1	13 X 37 X 3 MM	
3	14M7296	FLANGE NUT	2	M10	
4	N15764	PRESSED FLANGED HOUSING	2		
5	JD9219	BALL BEARING	1		
6	H137916	SHIM	2		
7	03M7307	BOLT	2	M10 X 25	
8	AH136635	AUGER	1		
9	49M4821	SHAFT KEY	1		
10	H136186	AUGER	1		
11	14M7291	FLANGE NUT	1	M16	
12	H137919	BUSHING	1		

5B21

CLEAN GRAIN ELEVATOR, GRAIN TANK AND UNLOADING AUGER

FOLDING CLEAN GRAIN LOADING AUGER

HP5877 -UN-26JUN95



HP5877

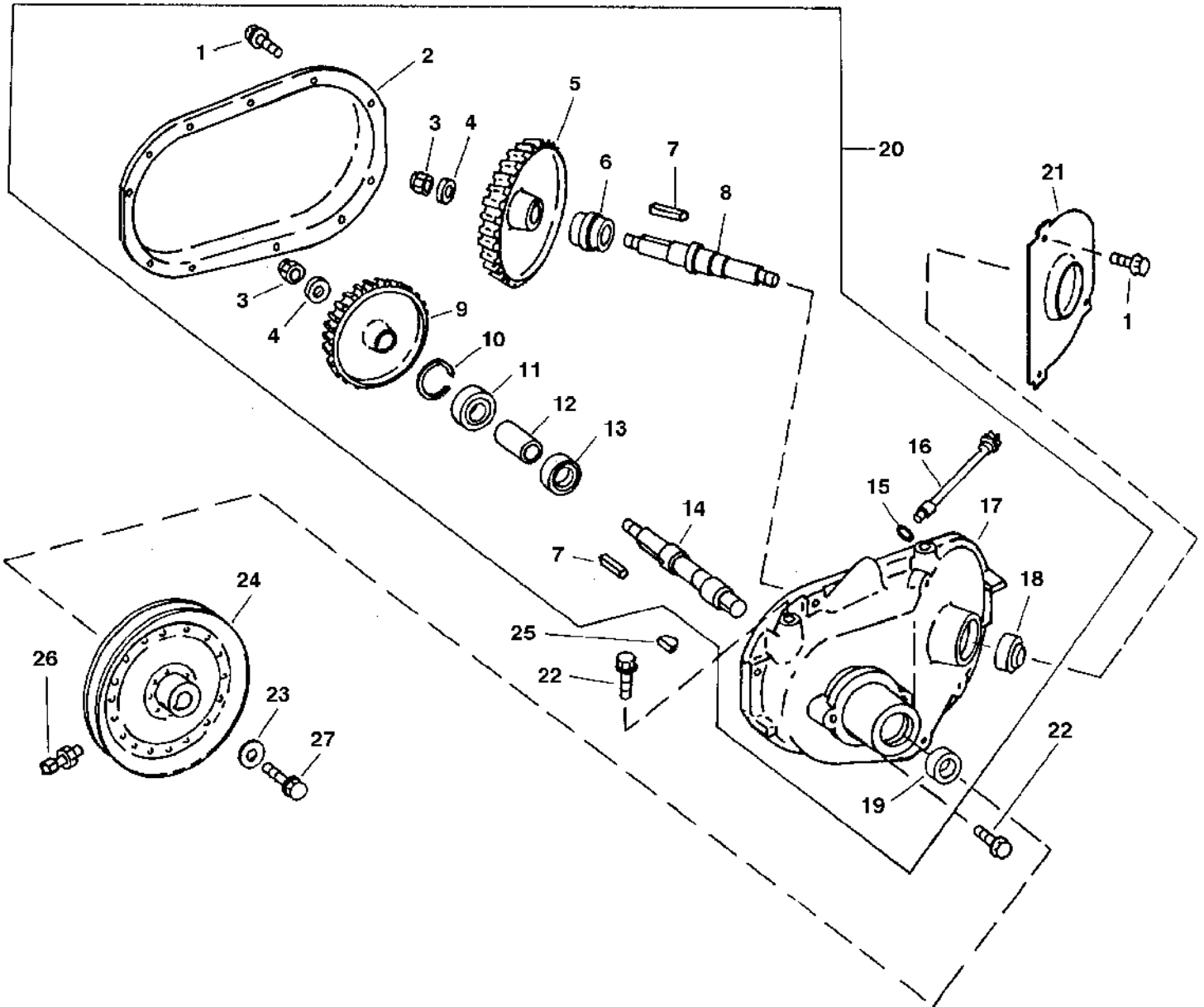
KEY	PART NO.	PART NAME	QTY	SERIAL NO.	REMARKS
1	19M7818	SCREW	1	M12 X 80	
2	24M7180	WASHER	1	13 X 37 X 3 MM (0.512" X 1.457" X 0.118")	
3	14M7296	FLANGE NUT	2	M10	
4	N15764	PRESSED FLANGED HOUSING	2		
5	JD9219	BALL BEARING	1		
6	H137916	SHIM	2		
7	03M7307	BOLT	2	M10 X 25	
8	H137919	BUSHING	1		
9	AH146509	FLIGHT	1		(INCLUDES H137919 BUSHING AND 19M7818 SCREW)
10	11M7087	COTTER PIN	1	4 X 40 MM (0.157" X 1.575")	
11	14M7205	NUT	1	M24	
12	24M7091	WASHER	1	26 X 44 X 4 MM (1.024" X 1.732" X 0.157")	
13	H136186	AUGER	1		
14	49M4821	SHAFT KEY	1		
15	AH146214	AUGER	1		
..	BH80337	COMPLETE GOODS/SHIP. BUNDLE	1		FOLDING GRAIN TANK AUGER
..	BH81122	COMPLETE GOODS/SHIP. BUNDLE	1		PARTS BOX - AUGER ASSEMBLY - FOLDING UPPER
..	BH81124	COMPLETE GOODS/SHIP. BUNDLE	1		PARTS BOX - AUGER ASSEMBLY - LOWER

MEMORANDA

5B22

CLEAN GRAIN ELEVATOR, GRAIN TANK AND UNLOADING AUGER

CLEAN GRAIN ELEVATOR GEARCASE AND SHEAVE
HP6913 -UN-18AUG97



HP6913

5B23

CLEAN GRAIN ELEVATOR, GRAIN TANK AND UNLOADING AUGER

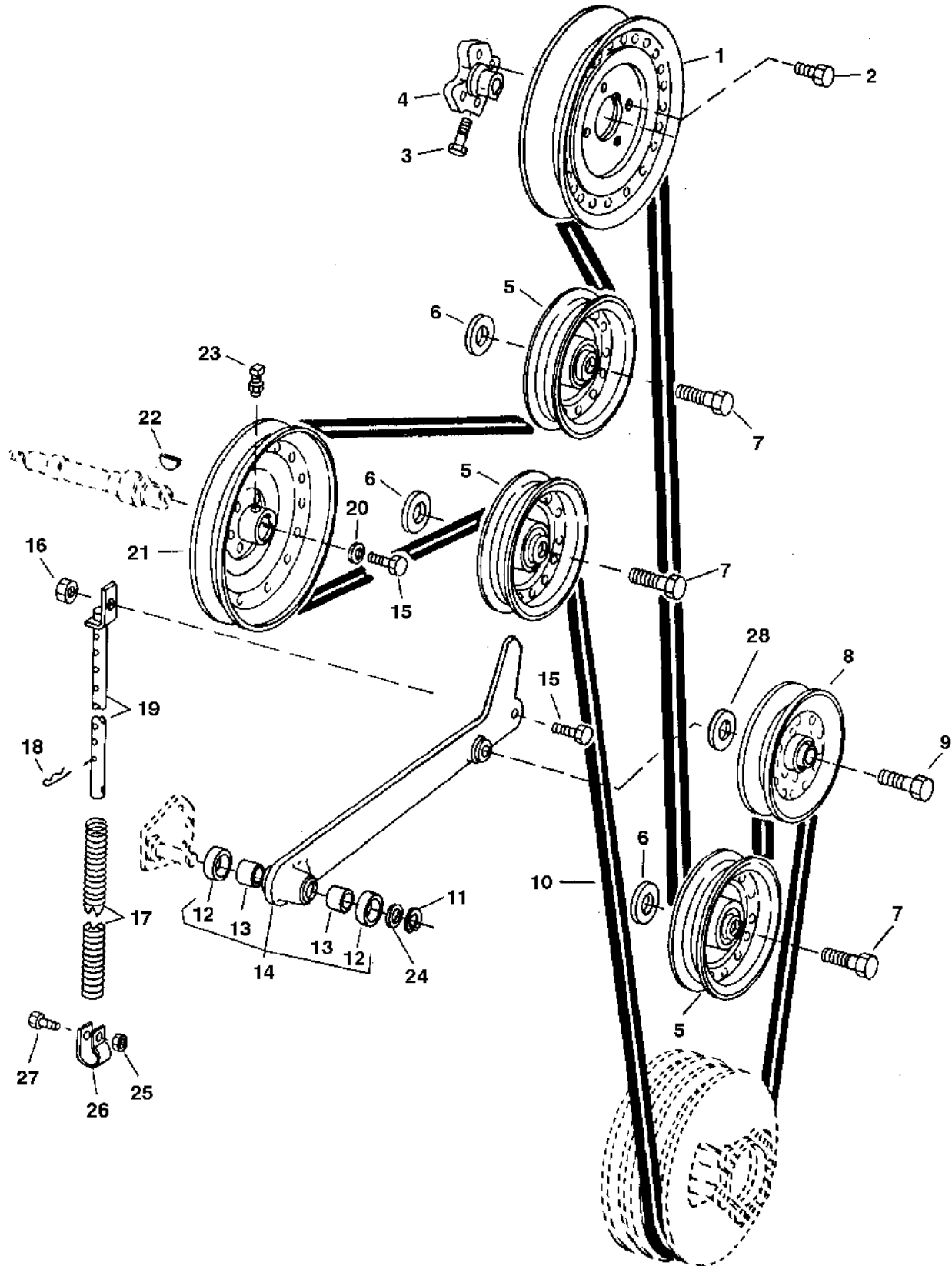
CLEAN GRAIN ELEVATOR GEARCASE AND SHEAVE - CONTINUED

KEY	PART NO.	PART NAME	QTY	SERIAL NO.	REMARKS
1	19M7866	SCREW	3	M8 X 20	
	19M7407	CAP SCREW	11	M8 X 25	
	24H1685	WASHER	22	11/32" X 47/64" X 0.083"	
2	H135454	COVER	1		
3	W39621	NUT	2	M16	
4	24H1825	WASHER	2	11/16" X 1-1/2" X 0.194"	
5	H145316	BEVEL GEAR	1	(SUB H135286) 53 TEETH	
	H135286	GEAR	1		
6	AE42998	BALL BEARING	1	(CONTAINS CONE AND CUP)	
7	49M4821	SHAFT KEY	2	6 X 6 X 32 MM	
8	H136209	SHAFT	1		
9	H145317	BEVEL GEAR	1	(SUB H135287) 46 TEETH	
	H135287	GEAR	1		
10	P46874	SNAP RING	1		
11	JD7689	BALL BEARING	1		
12	28H3054	BUSHING	1		
13	JD7681	BALL BEARING	1		
14	H135452	SHAFT	1	(USE WITH AH140127)	
	H170967	SHAFT	1	(USE WITH DE19111)	
15	R26375	O-RING	1		
16	AH134598	DIPSTICK	1		
17	H135453	GEAR CASE	1	(SUB CE18015)	
	CE18015	GEAR CASE	1	(LESS GREENSTAR)	
18	AH131860	SEAL	1		
19	AH21815	SEAL	1		
20	AH140127	GEAR CASE	1	(SUB DE19111) (ALSO ORDER AH164868, H170967 AND 26M7008) (SUB FOR AH134858)	
	DE19111	GEAR CASE	1		
21	H137606	PLATE	1		
22	19M7789	SCREW	4		
23	24H1351	WASHER	1	14.275 X 38.100 X 4.166 MM	
24	AH132372	SHEAVE	1	(USE WITH AH140127)	
	AH164868	SHEAVE	1	(USE WITH DE19111)	
25	26H85	SHAFT KEY	1	1/4" X 1", (SUB 26H22) (USE WITH AH140127)	
	26M7008	SHAFT KEY	1	(USE WITH DE19111)	
26	22H836	SET SCREW	2	3/8" X 1"	
	14H732	NUT	2	3/8"	
27	19M7786	SCREW	1	M10 X 30	
..	TY15130	SEALANT	1	(03 OZ. TUBE) (CANADA PART NO TY9484)	
..	TY6333	GREASE	1	(14 OZ.) MULTI-PURPOSE	
..	AH162230	KIT	1	(INCLUDES (1) H135286, (1) H135287) (LESS GREENSTAR)	

5B24

CLEAN GRAIN ELEVATOR, GRAIN TANK AND UNLOADING AUGER

CLEAN GRAIN ELEVATOR DRIVE TIGHTENER AND IDLER
HP6914 -UN-18AUG97



HP6914

5B25

CLEAN GRAIN ELEVATOR, GRAIN TANK AND UNLOADING AUGER

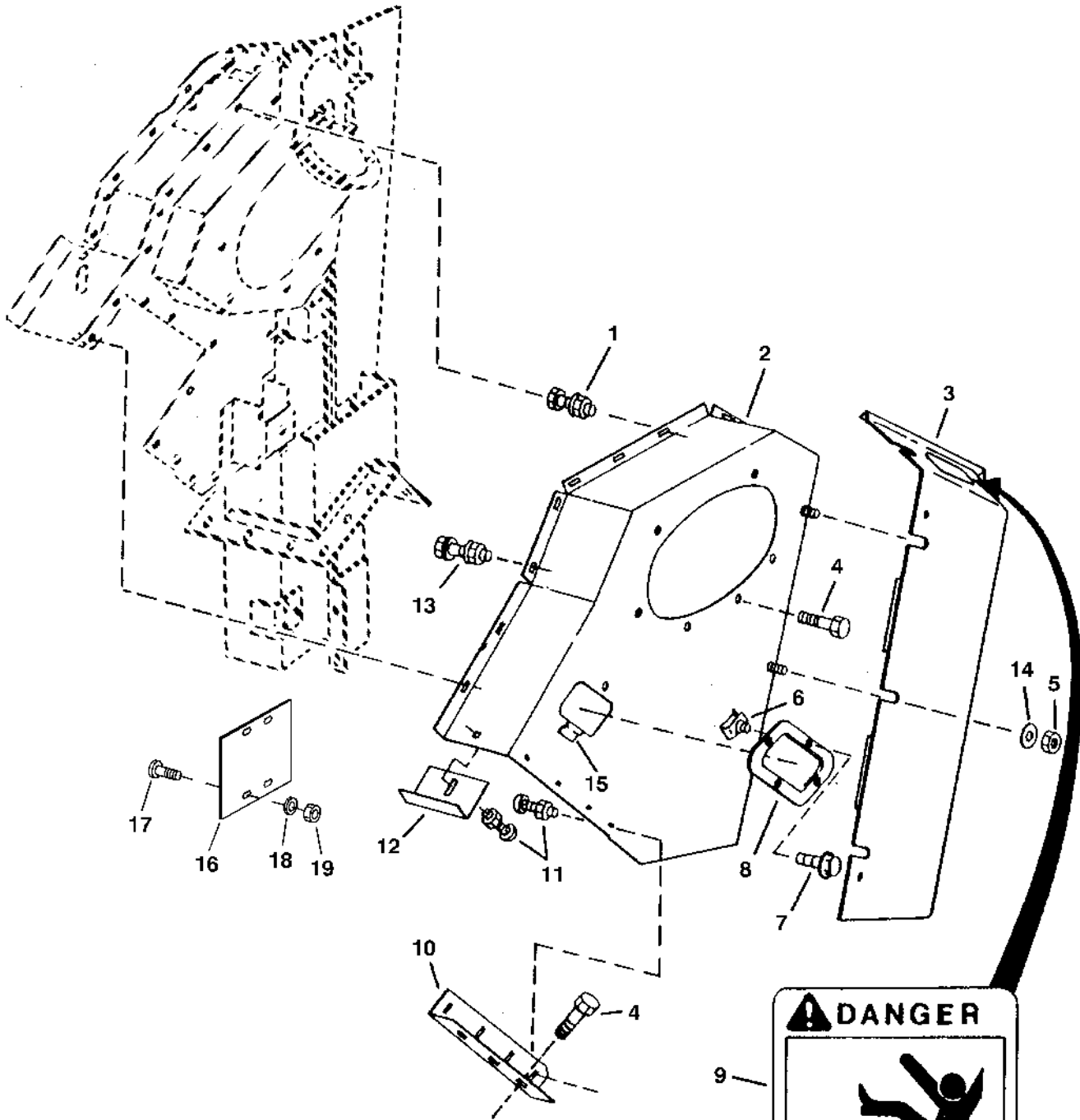
CLEAN GRAIN ELEVATOR DRIVE TIGHTENER AND IDLER - CONTINUED

KEY	PART NO.	PART NAME	QTY	SERIAL NO.	REMARKS
1	AH135463	SHEAVE	1		CONVEYER CHAIN
2	19M7784	SCREW	4		M10 X 20
3	19M7663	CAP SCREW	1		M8 X 70
4	H134760	HUB	1		
5	AH94450	IDLER	3		
6	24M7053	WASHER	3		17 X 30 X 3 MM
7	19M7824	SCREW	3		M16 X 60
8	AN15237	IDLER	1		
9	19M7844	SCREW	1		M16 X 45
10	H160171	BELT	1		
11	P46402	SNAP RING	1		
12	AA5607R	SEAL	2		
13	H99147	BUSHING	2		(SUB H171061)
	H171061	BEARING	2		
14	AH135579	ARM	1		
15	19M7786	SCREW	2		M10 X 30
16	A51212	LOCK NUT	1		
17	H129049	SPRING	1		
18	A15146	SPRING LOCKING PIN	1		
19	AH124502	RETAINER	1		
20	24H1351	WASHER	1		14.275 X 38.100 X 4.166 MM
21	AH132372	SHEAVE	1		GEARCASE
22	26H22	SHAFT KEY	1		1/4" X 1"
23	22H836	SET SCREW	2		3/8" X 1"
	14H732	NUT	2		3/8"
24	24M7091	WASHER	1		26 X 44 X 4 MM
25	14M7303	FLANGE NUT	1		M6
26	H132088	CLAMP	1		
27	19M8321	SCREW	1		M6 X 45
28	24H1373	WASHER	2		21/32" X 1-9/16" X 0.180"

5C1

CLEAN GRAIN ELEVATOR, GRAIN TANK AND UNLOADING AUGER

UPPER CLEAN GRAIN ELEVATOR SHIELDS
HP6654 -UN-07MAR97



HP6654

5C2

CLEAN GRAIN ELEVATOR, GRAIN TANK AND UNLOADING AUGER

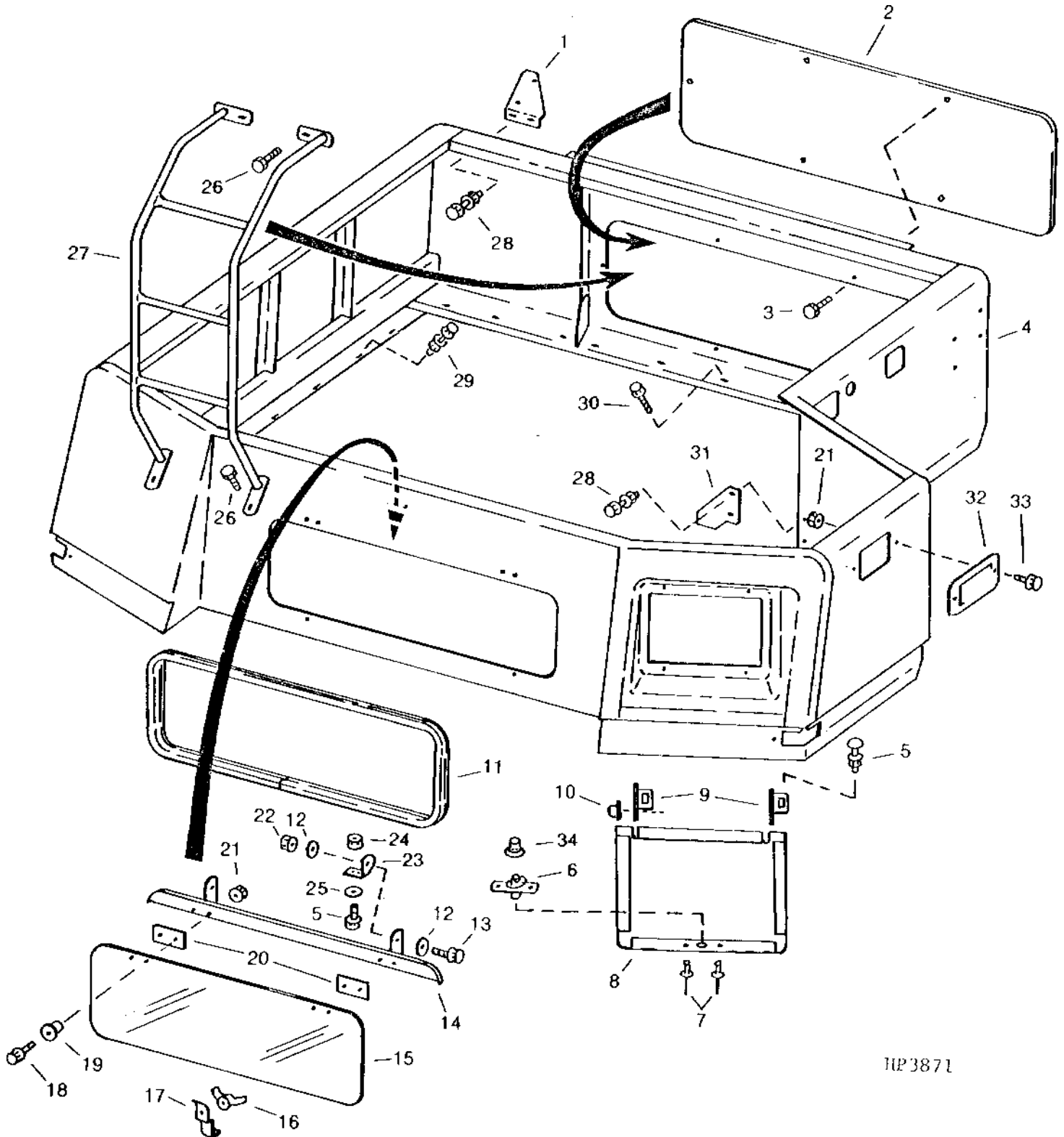
UPPER CLEAN GRAIN ELEVATOR SHIELDS - CONTINUED

KEY	PART NO.	PART NAME	QTY	SERIAL NO.	REMARKS
1	19M7865	SCREW	5	M8 X 16	
	14M7298	FLANGE NUT	5	M8	
2	AH137257	SHIELD	1		
3	AH137256	SHIELD	1		
4	03M7183	BOLT	9	M8 X 16	
	14M7298	FLANGE NUT	9	M8	
5	14M7020	WING NUT	5	M8	
6	M84972	NUT	1		
7	19M7774	SCREW	1	M6 X 12	
8	H89569	DOOR	1		
9	H149062	DECAL	1	"DANGER" ON GRAIN TANK EXTENSION	
10	H141044	ANGLE	1		
11	03M7183	BOLT	5	M8 X 16	
	14M7298	FLANGE NUT	5	M8	
12	H135590	ANGLE	1		
13	19M7866	SCREW	2	M8 X 20	
	14M7298	FLANGE NUT	2	M8	
	24M7207	WASHER	2	8.400 X 24 X 2 MM	
14	24H1297	WASHER	3	11/32" X 2" X 0.065"	
15	H82060	CLIP	1		
16	PF10026	PLATE	1		
17	03M7190	BOLT	2	M10 X 20	
18	24M7228	WASHER	2	15 X 21 X 1.300 MM	
19	14M7296	FLANGE NUT	2	M10	

5C3

CLEAN GRAIN ELEVATOR, GRAIN TANK AND UNLOADING AUGER

GRAIN TANK TOP
HP3871 -UN-01JAN94



HP3871

5C4

CLEAN GRAIN ELEVATOR, GRAIN TANK AND UNLOADING AUGER

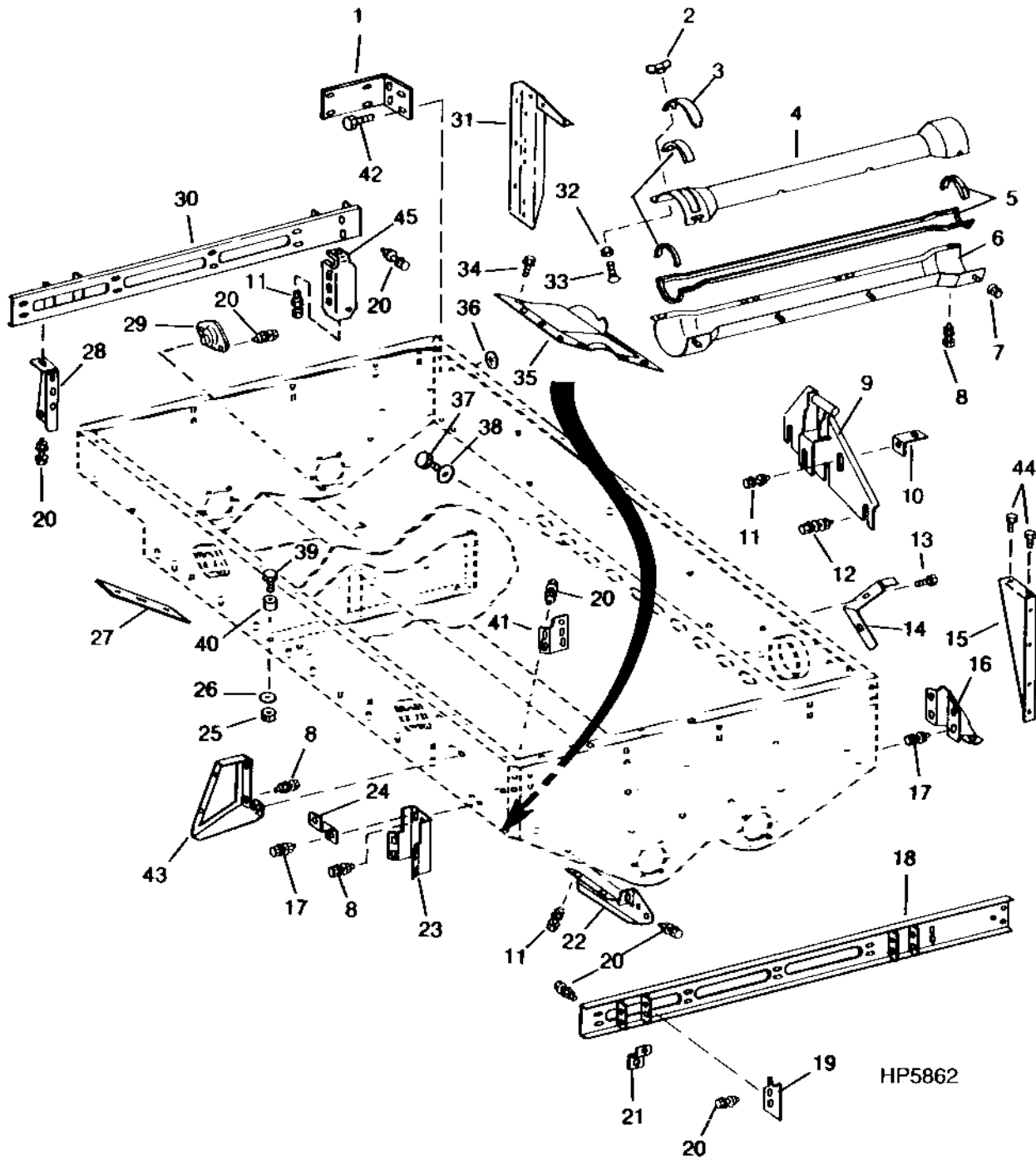
GRAIN TANK TOP - CONTINUED

KEY	PART NO.	PART NAME	QTY	SERIAL NO.	REMARKS
1	H133584	BRACKET	1		
2	H127638	PANEL	1		
3	37M7058	SCREW	6	M8 X 20	
4	AH158114	TANK	1		
5	03M7183	BOLT	6	M8 X 16	
	14M7298	FLANGE NUT	2	M8	
6	AH125644	LATCH	1		
7	H64584	RIVET	2		
8	AH122507	DOOR	1		
9	H132024	HINGE	2		
10	H120499	NUT	2		
11	AH80335	WEATHERSTRIP	AR		
12	B27370	WASHER	1		
13	19M7866	SCREW	2	M8 X 20	
14	AH126619	REINFORCEMENT	1		
15	H131675	WINDOWPANE	1		
16	14M7019	WING NUT	2	M6	
17	H131674	LATCH	2		
18	19M7862	SCREW	4	M6 X 20	
19	R50642	WASHER	4		
20	H131673	GASKET	2		
21	14M7303	FLANGE NUT	8	M6	
22	14M7396	LOCK NUT	2	M8	
23	H132542	ANGLE	2		
24	14M7298	FLANGE NUT	4	M8	
25	H131531	NUT	4		
26	19M7866	SCREW	4	M8 X 20 M8	
27	AH154920	LADDER	1	(SUB AH160622)	
	AH160622	LADDER	1		
28	19M7866	SCREW	5	M8 X 20	
	14M7298	FLANGE NUT	5	M8	
29	19M7865	SCREW	9	M8 X 16	
	14M7298	FLANGE NUT	11	M8	
	03M7183	BOLT	4		
	M84309	NUT	4	TO RETAIN M8 BOLTS	
30	37M7058	SCREW	17	M8 X 20	
31	H130262	PANEL	1	ROLLING THREAD	
32	H132666	PLATE	2		
33	19M7774	SCREW	4	M6 X 12, USED ONLY WITHOUT ROW LIGHTS	
34	H121391	KNOB	1		

5C5

CLEAN GRAIN ELEVATOR, GRAIN TANK AND UNLOADING AUGER

GRAIN TANK BASE
HP5862 -UN-14OCT94



5C6

CLEAN GRAIN ELEVATOR, GRAIN TANK AND UNLOADING AUGER

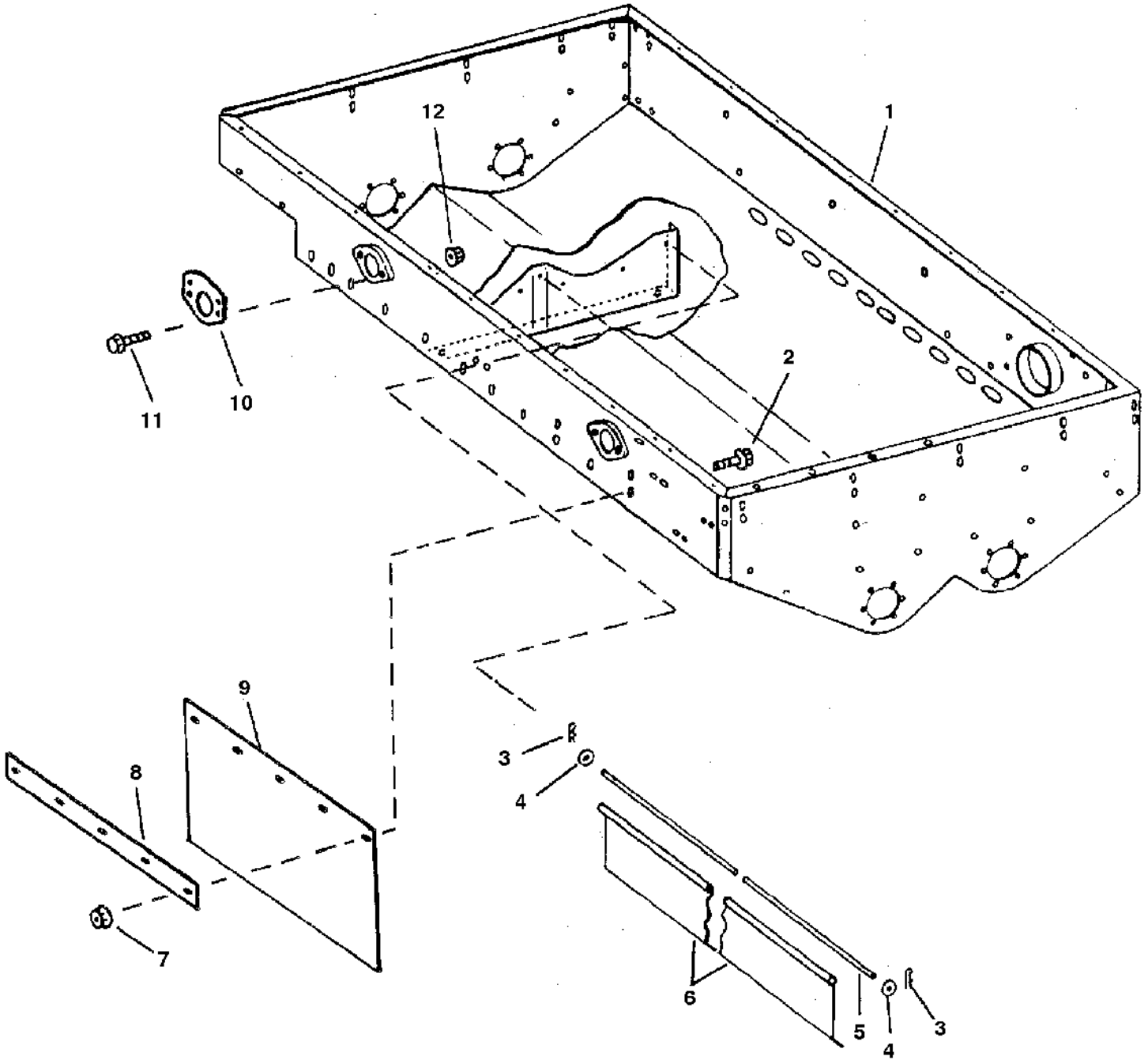
GRAIN TANK BASE - CONTINUED

KEY	PART NO.	PART NAME	QTY	SERIAL NO.	REMARKS
1	H129885	ANGLE	1		
2	14M7020	WING NUT	1	M8	
3	H131264	COVER	1		
4	H131230	HOUSING	1		UPPER
5	H81330	ISOLATOR	AR		(CUT FROM H81330) (APPROX. 16 FT.)
6	AH126279	DUST SHIELD	1		LOWER
7	14M7298	FLANGE NUT	4	M8	
8	19M7865	SCREW	8	M8 X 16	
	14M7298	FLANGE NUT	8	M8	
9	AH128037	BRACKET	1		
10	H132662	BRACKET	1		
11	19M7788	SCREW	6	M12 X 25	
	14M7299	FLANGE NUT	6	M12	
12	19M7788	SCREW	5	M12 X 25	
	24M7180	WASHER	5	13 X 37 X 3 MM	
	14M7299	FLANGE NUT	5	M12	
13	37M7083	SCREW	2		
14	H131227	DEFLECTOR	1		
15	H147299	SUPPORT	1		
16	H129588	BRACKET	1		
17	19M7866	SCREW	5	M8 X 20	
	14M7298	FLANGE NUT	5	M8	
18	AH166714	CHANNEL	1		(SUB FOR AH125478) LEFT-HAND
19	H125537	PLATE	4		
20	19M7784	SCREW	37	M10 X 20	
	14M7296	FLANGE NUT	37	M10	
21	H131628	BRACKET	1		
22	H127677	BRACKET	1		LEFT-HAND
23	H136541	HOSE SUPPORT	1		
24	H132538	HOSE SUPPORT	1		
25	14M7299	FLANGE NUT	4	M12	
26	24M7240	WASHER	4	13 X 25 X 3 MM	
27	H139972	PLATE	1		
28	H139056	BRACKET	2		
29	AH108299	RUBBER MOUNT	2		CAB ISOLATION
30	AH166713	CHANNEL	1		(SUB FOR AH125306) RIGHT-HAND
31	AH130198	SUPPORT	1		
32	H131531	NUT	2		(SUB M84309)
	T105964	NUT	2		
33	03M7184	BOLT	1	M8 X 20	
34	H145773	SELF-LOCKING SCREW	2	M10 X 35	
35	AH126275	HOUSING	1		
36	H141123	NUT	5	10 MM	
37	37M7080	SCREW	5	M10 X 30	
38	24H1347	WASHER	5	17/32" X 2" X 0.194"	
39	19M8112	SCREW	4	M12 X 55	
40	N61709	BUSHING	4		
41	AH125814	SUPPORT	1		
42	19M7785	SCREW	5	M10 X 25	
43	H130363	BRACKET	1		
44	19M7788	SCREW	2	M12 X 25	
45	H129833	BRACKET	1		

5C7

CLEAN GRAIN ELEVATOR, GRAIN TANK AND UNLOADING AUGER

GRAIN TANK AND CURTAINS
HP6915 -UN-18AUG97



HP6915

5C8

CLEAN GRAIN ELEVATOR, GRAIN TANK AND UNLOADING AUGER

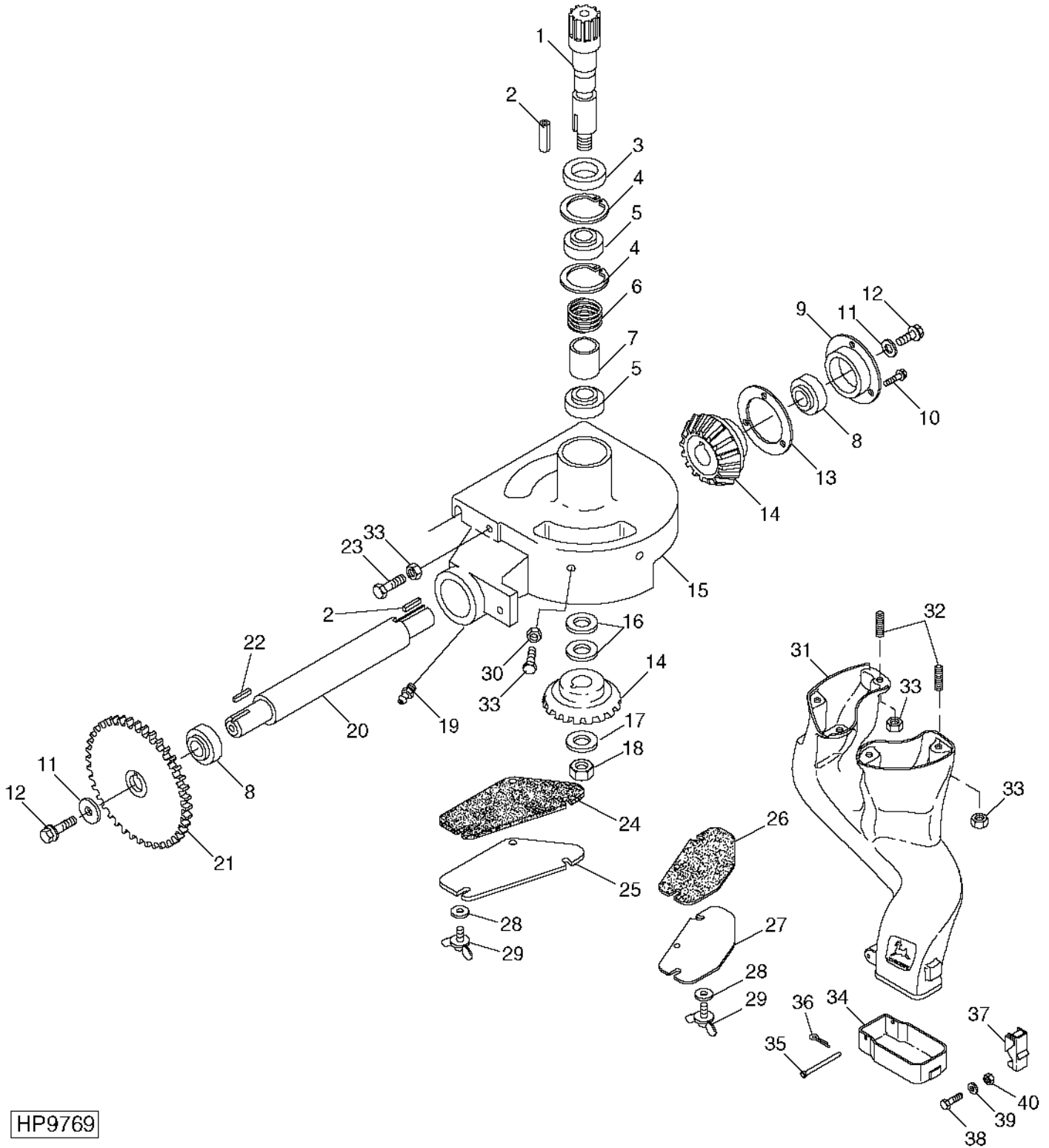
GRAIN TANK AND CURTAINS - CONTINUED

KEY	PART NO.	PART NAME	QTY	SERIAL NO.	REMARKS
1	AH158103	TANK	1		SERVICE ONLY
	AH158104	TANK	1		
2	19M7785	SCREW	5	M10 X 25	
	03M7193	BOLT	5	M10 X 35	
3	A15147	SPRING LOCKING PIN	2		
4	T20217	WASHER	2	12.954 X 43.942 X 6.350 MM	
5	H76863	PIN	1	(USE WITH H145516)	
	H144825	PIPE	1		
6	H144823	LIMIT CURTAIN	1	RUBBER (CORN AND GRAIN)	
	H145516	DEFLECTOR	1	STEEL (RICE)	
7	14M7400	LOCK NUT	1	M10	
8	H148116	PLATE	1		
9	H148056	LIMIT CURTAIN	1		
10	H148518	PLATE	2		
11	19M7788	SCREW	2	M12 X 25	
12	14M7299	FLANGE NUT	2	M12	
..	AH168093	KIT	1	STAINLESS STEEL TROUGH LINER	

5C9

CLEAN GRAIN ELEVATOR, GRAIN TANK AND UNLOADING AUGER

VERTICAL AUGER LOWER GEAR CASE
HP9769 -UN-23MAY00



HP9769

5C10

CLEAN GRAIN ELEVATOR, GRAIN TANK AND UNLOADING AUGER

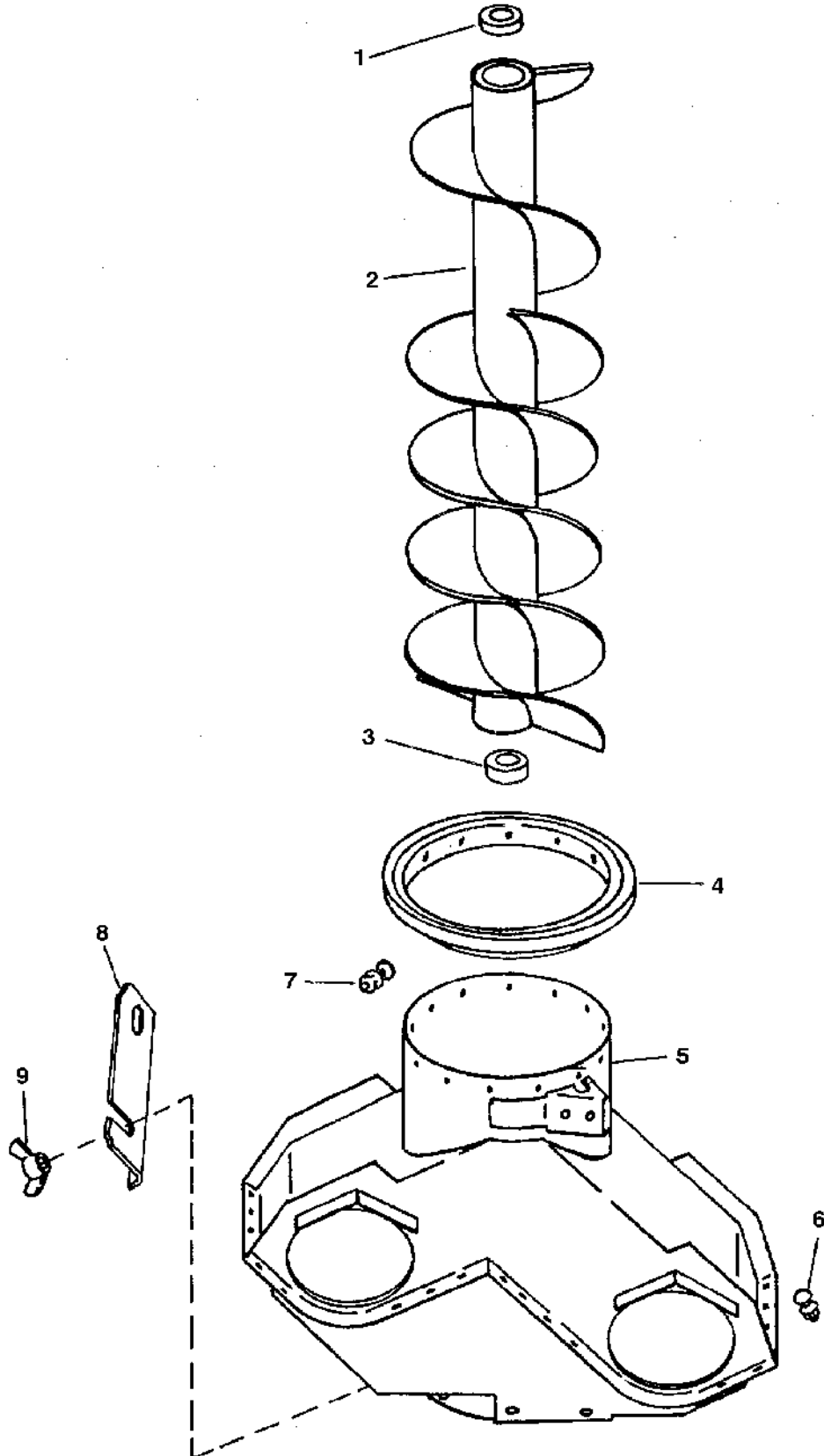
VERTICAL AUGER LOWER GEAR CASE - CONTINUED

KEY	PART NO.	PART NAME	QTY	SERIAL NO.	REMARKS
1	H96169	SHAFT	1		LOWER
2	KEY	2		10 MM X 10 MM 32 MM (3/8" X 3/8" X 1-1/4") (CUT FROM H64376 IN AH64587 KEY STOCK KIT)
3	AH90963	SEAL	1		
4	N71921	SNAP RING	2		
5	AH96585	BEARING	2		
6	H96267	SPRING	1		
7	H96149	BUSHING	1		
8	JD8524	BEARING	2		
9	H113053	BEARING HOUSING W/O BEARING	1		
10	19M7785	SCREW	3	M10 X 25	
11	H129716	WASHER	2		
12	19M7843	SCREW	2	M16 X 35	
13	H96297	SHIM	1	0.254 MM (0.010")	
	H96298	SHIM	1	0.508 MM (0.020")	
14	H96294	GEAR	2	23 TOOTH	
15	H130137	CASE	1		
16	24H1533	SHIM	2	0.018"	
17	24H1433	WASHER	1	29/32" X 2-1/4" X 1/4"	
18	H29623	LOCK NUT	1	22.225 MM (7/8")	
19	JD7759	LUBRICATION FITTING	1	STRAIGHT	
20	H129653	SHAFT	1		
21	AH125080	DRIVE SPROCKET	1	46 TOOTH	
	AH146352	DRIVE SPROCKET	1	40 TOOTH	
22	KEY	1		10 MM X 10 MM X 38 MM (3/8" X 3/8" X 1-1/2") (CUT FROM H64376 IN AH64587 KEY STOCK)
23	19M7835	SCREW	1	M10 X 35	
24	H135192	SEAL	1	FRONT	
25	H136572	COVER	1	FRONT	
26	H135193	SEAL	1	REAR	
27	H136573	COVER	1	REAR	
28	24M7178	WASHER	5	10.500 X 30 X 2.500 MM	
29	21M7236	WING SCREW	5	M10 X 16	
30	19M7786	SCREW	8	M10 X 30	
31	AH167433	CHUTE	1		
32	22M7149	SET SCREW	5	M10 X 30	
33	14M7296	FLANGE NUT	14	M10	
34	H173223	CAP	1		
35	M112271	PIN	1		
36	J16931	SPRING LOCKING PIN	1		
37	AH168300	LATCH	1		
38	21M7284	SCREW	4	M3 X 16	
39	24M7029	SHIM	4		
40	14M7196	NUT	4	M3	

5C11

CLEAN GRAIN ELEVATOR, GRAIN TANK AND UNLOADING AUGER

VERTICAL UNLOADING AUGER AND CHARGE HOUSING
HP6916 -UN-18AUG97



HP6916

5C12

CLEAN GRAIN ELEVATOR, GRAIN TANK AND UNLOADING AUGER

VERTICAL UNLOADING AUGER AND CHARGE HOUSING - CONTINUED

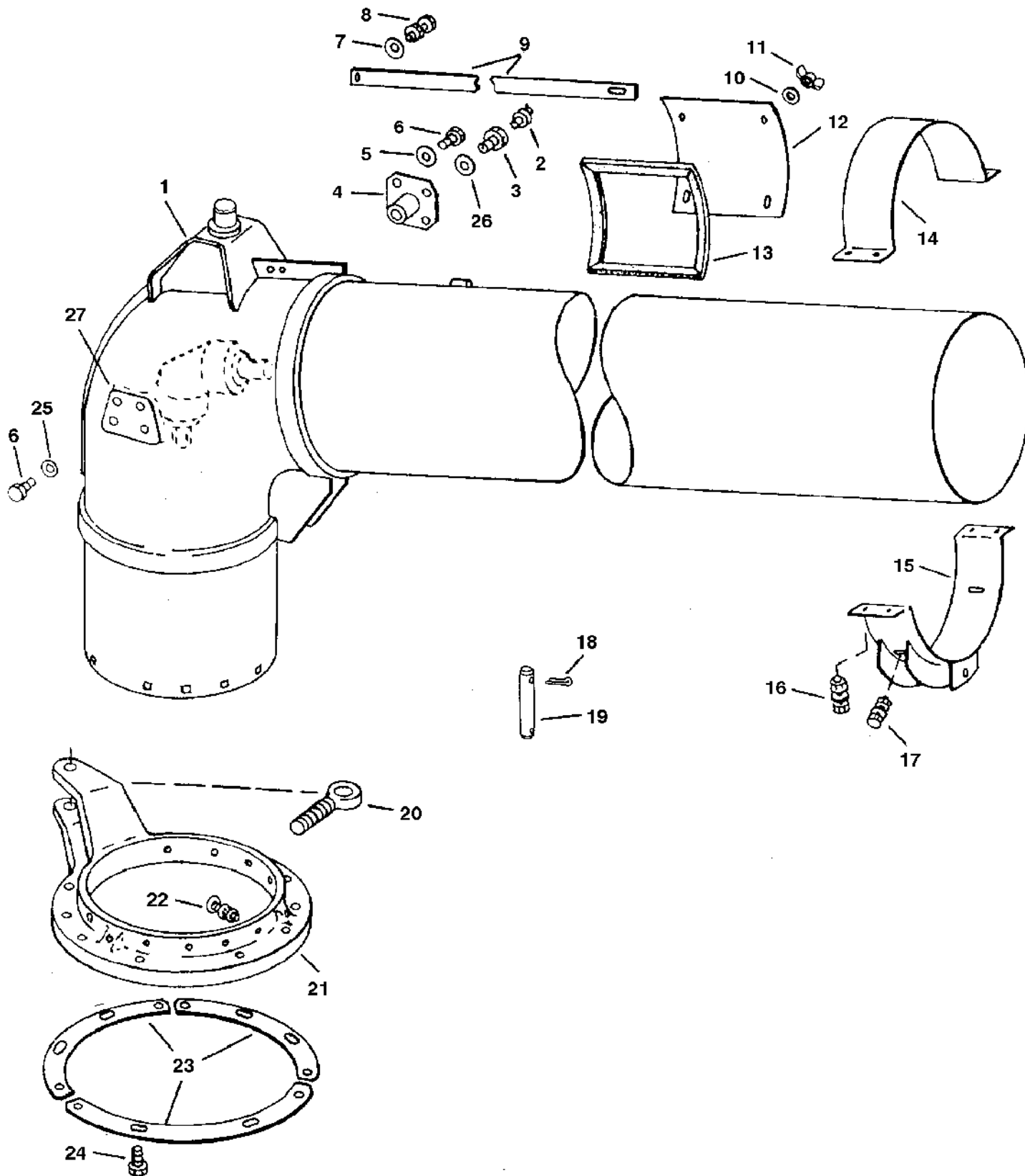
KEY	PART NO.	PART NAME	QTY	SERIAL NO.	REMARKS
1	H128861	SPLINED COUPLING	1		
2	AH124852	AUGER	1		REGULAR
	AH140081	FLIGHT	1		EDIBLE BEANS OR GRASS SEED
	AH154962	AUGER	1		HIGH WEAR (RICE)
3	AH124878	EXTERNAL HALF COUPLER	1		
4	H146775	RING	1		
5	AH155199	HOUSING	1		
6	03M7190	BOLT	30		M10 X 20
	14M7296	FLANGE NUT	30		M10
7	03M7198	BOLT	12		M12 X 30
	14M7299	FLANGE NUT	12		M12
8	H130771	PLATE	1		
9	14M7020	WING NUT	2		M8
..	WEATHERSTRIP	AR		(USE WITH H130771) (CUT FROM H81330)

5C13

CLEAN GRAIN ELEVATOR, GRAIN TANK AND UNLOADING AUGER

HORIZONTAL UNLOADING AUGER SWIVEL

HP6917 -UN-18AUG97



HP6917

5C14

CLEAN GRAIN ELEVATOR, GRAIN TANK AND UNLOADING AUGER

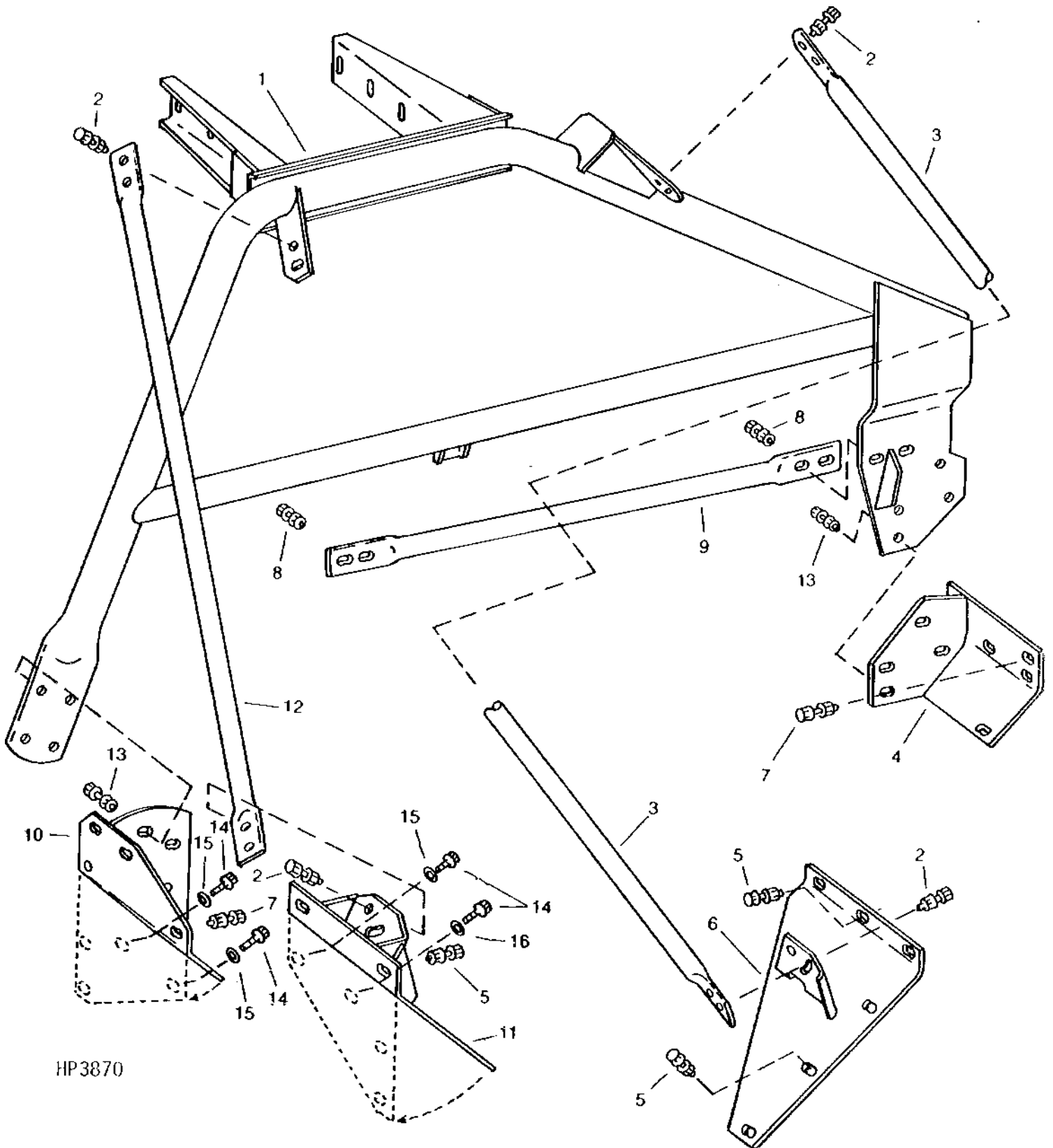
HORIZONTAL UNLOADING AUGER SWIVEL - CONTINUED

KEY	PART NO.	PART NAME	QTY	SERIAL NO.	REMARKS
1	AH162400	HOUSING	1	(SUB FOR AH145051)	
2	JD7806	LUBRICATION FITTING	1	90 DEGREE	
3	H96228	SCREW	1		
4	AH123912	SUPPORT	1		
	H96690	SPACER	1	(USE WITH AH123912)	
5	12H304	LOCK WASHER	8	3/8"	
6	19H2676	CAP SCREW	8	3/8" X 1"	
7	24H1305	WASHER	1	13/32" X 13/16" X 0.065"	
8	19H1732	CAP SCREW	1	3/8" X 1-1/4"	
	E55662	FLANGE NUT	1	3/8"	
9	H116351	STRAP	1		
10	24M7207	WASHER	4		
11	14H785	NUT	4	5/16"	
12	H96652	DOOR	1		
13	WEATHERSTRIP	AR	(CUT FROM H81330)	
14	H133178	CLAMP	1		
15	AH136153	STRAP	1		
16	19M7786	SCREW	4	M10 X 30	
	24H1311	WASHER	4	13/32" X 1-1/4" X 0.220"	
	14M7296	FLANGE NUT	4	M10	
17	03M7190	BOLT	2	M10 X 20	
	14M7296	FLANGE NUT	2	M10	
18	11M7038	COTTER PIN	2	6.300 X 40 MM	
19	H138930	PIN	1		
20	H148376	EYEBOLT	1		
21	H137227	RING	1	(SUB FOR H129550) DOES NOT REQUIRE 24M7045 WASHERS	
22	03M7353	BOLT	12	M12 X 30	
	14M7299	FLANGE NUT	12	M12	
23	H131356	SECTOR	3		
24	19M7784	SCREW	8	M10 X 20	
	19M7783	SCREW	4	M10 X 16	
25	24H1308	WASHER	4	13/32" X 1" X 0.134"	
26	12H294	LOCK WASHER	1	5/8"	
27	H147752	PLATE	1		

5C15

CLEAN GRAIN ELEVATOR, GRAIN TANK AND UNLOADING AUGER

AUGER SWIVEL SUPPORT AND BRACES
HP3870 -UN-01JAN94



HP3870

5C16

CLEAN GRAIN ELEVATOR, GRAIN TANK AND UNLOADING AUGER

AUGER SWIVEL SUPPORT AND BRACES - CONTINUED

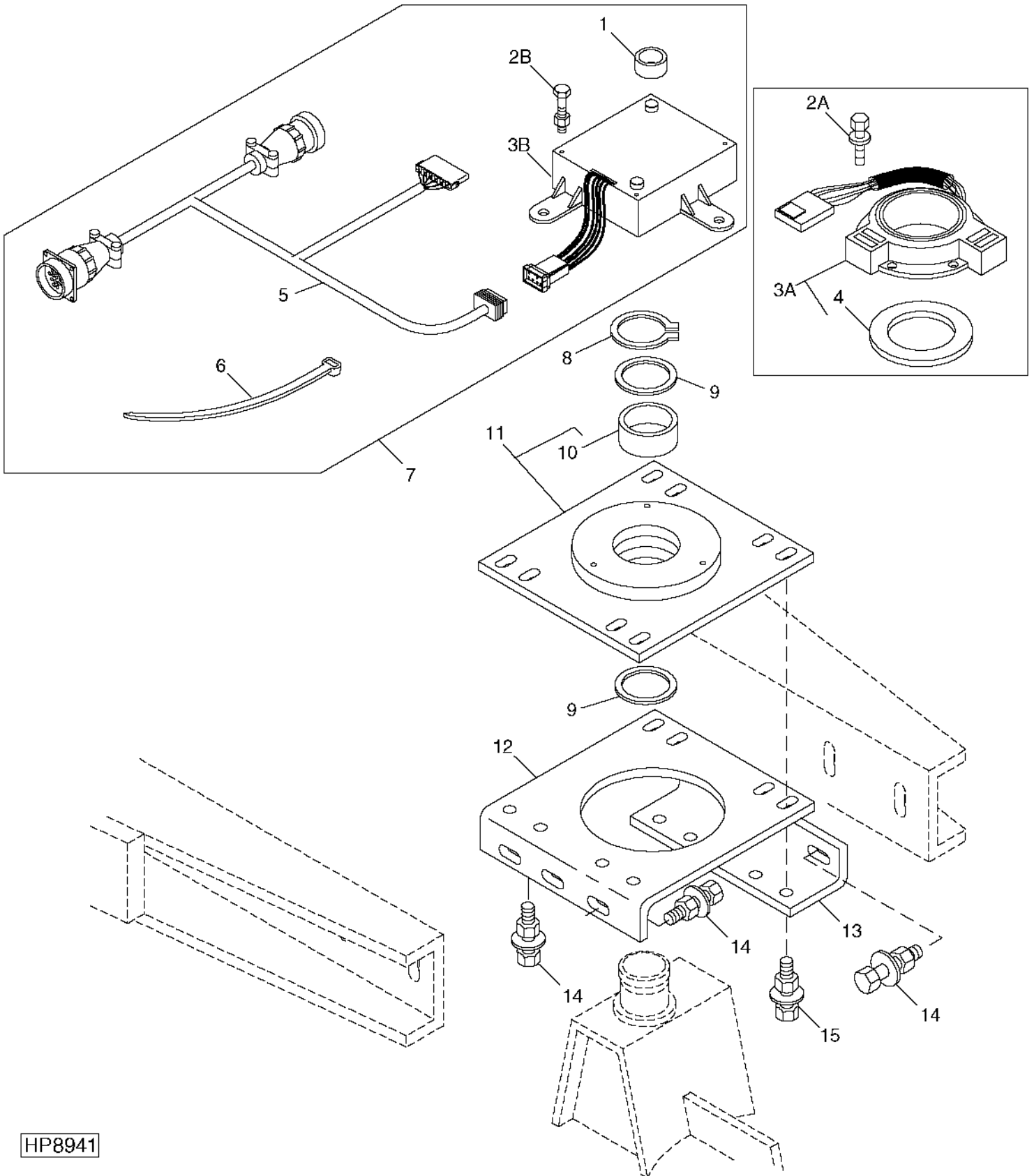
KEY	PART NO.	PART NAME	QTY	SERIAL NO.	REMARKS
1	AH140790	FRAME	1		
2	19M7793	SCREW	12	M16 X 40	
	14M7291	FLANGE NUT	12	M16	
3	H131256	BRACE	1	FRONT	
4	AH126281	ANCHOR	1	LEFT HAND FRONT	
5	19M7789	SCREW	6	M12 X 30	
	14M7299	FLANGE NUT	6	M12	
6	AH126283	ANCHOR	1	RIGHT HAND FRONT	
7	19M7788	SCREW	6	M12 X 25	
	14M7299	FLANGE NUT	6	M12	
8	19M7843	SCREW	4	M16 X 35	
	14M7291	FLANGE NUT	4	M16	
9	H131261	BRACE	1	CHARGE HOUSING	
10	AH126282	ANCHOR	1	LEFT HAND REAR	
11	AH126284	ANCHOR	1	RIGHT HAND REAR	
12	H131259	BRACE	1	REAR	
13	19M7793	SCREW	8	M16 X 40	
	14M7291	FLANGE NUT	8	M16	
14	19M7791	SCREW	4	M12 X 40	
15	24H1347	WASHER	3	17/32" X 2" X 0.194"	
16	24H1380	WASHER	1	11/16" X 1-3/4" X 0.194", R.H. OUTER	

5C17

CLEAN GRAIN ELEVATOR, GRAIN TANK AND UNLOADING AUGER

HORIZONTAL UNLOADING AUGER HUB SUPPORT AND SWITCH

HP8941 -UN-23AUG99



HP8941

5C18

CLEAN GRAIN ELEVATOR, GRAIN TANK AND UNLOADING AUGER

HORIZONTAL UNLOADING AUGER HUB SUPPORT AND SWITCH - CONTINUED

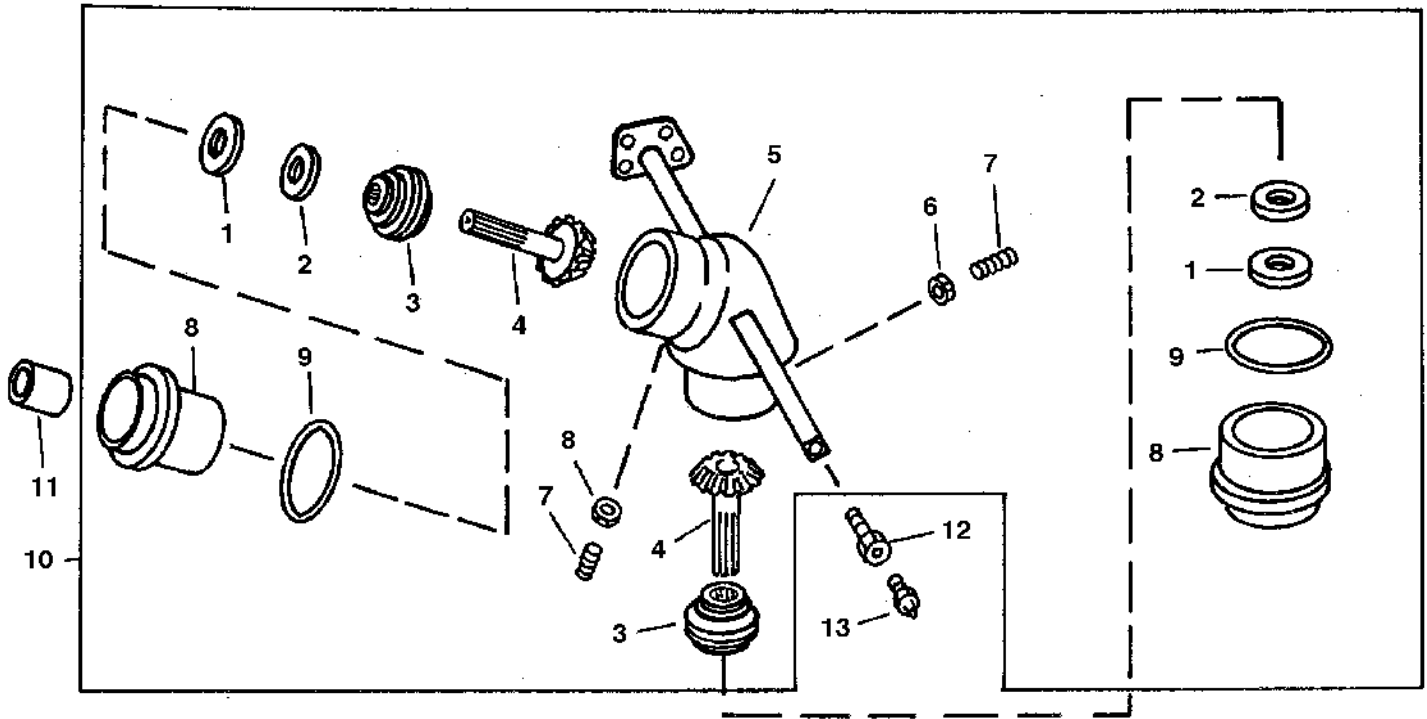
KEY	PART NO.	PART NAME	QTY	SERIAL NO.	REMARKS
1	28H3377	BUSHING	2	680111-	10.744 X 17.145 X 44.450 MM, (A)
2A	19M6755	CAP SCREW	3	-680110	M6 X 35
	24M7139	WASHER	3	-680110	6.400 X 18 X 1.600 MM
2B	19M8402	CAP SCREW	2	680111-	M8 X 65, (A)
	14M7298	FLANGE NUT	2	680111-	M8, (A)
3A	AH142999	SWITCH	1	-680110	(SUB AH163979) (INCLUDES H148702 GASKET)
3B	AH155480	MODULE	1	680111-	(A)
4	H148702	GASKET	1	-680110	
5	AH156413	WIRING HARNESS	1		(A)
6	R44302	TIE BAND	6		(A)
7	AH163979	KIT	1		(INCLUDES PARTS MARKED (A) AND INSTRUCTIONS H168641)
8	40M7166	SNAP RING	1		
9	H132097	WASHER	2		
10	H128479	BUSHING	1		
11	AH123602	HUB	1		
12	H131263	SUPPORT	1		
13	H131262	ANGLE	1		HUB MOUNTING
14	19M7790	SCREW	10		M12 X 35
	24M7180	WASHER	10		13 X 37 X 3 MM
	14M7299	FLANGE NUT	10		M12
15	19M7791	SCREW	4		M12 X 40
	24M7180	WASHER	4		13 X 37 X 3 MM
	14M7299	FLANGE NUT	4		M12

5C19

CLEAN GRAIN ELEVATOR, GRAIN TANK AND UNLOADING AUGER

HORIZONTAL UNLOADING AUGER DRIVE GEAR CASE

HP6919 -UN-18AUG97



HP6919

KEY	PART NO.	PART NAME	QTY	SERIAL NO.	REMARKS
1	AH98118	SEAL	2		
2	H99613	WASHER	2		1.248" X 1-3/4" X 3/8"
3	AH94661	BEARING	2		(USE WITH H99613) (SUB DE18970) INCLUDES TWO CONES, TWO CUPS AND TWO SPACERS
	DE18970	BEARING	2		
4	H149869	GEAR	2		
5	H149793	GEAR CASE	1		
6	14H732	NUT	4		3/8"
7	22H845	SET SCREW	4		3/8" X 3/4"
8	H96345	BEARING HOUSING W/O BEARING	2		
9	AH139072	KIT	2		(SUB AH139072)
10	AH124509	GEAR CASE	1		(SUB AH164609)
	AH164609	GEAR CASE	1		
11	N72989	BUSHING	1		1-17/64" X 1-5/8" X 1.120"
12	H96228	SCREW	1		5/8" X 2-1/2"
	12H294	LOCK WASHER	1		5/8"
13	JD7797	LUBRICATION FITTING	1		STRAIGHT, 1/4"

MEMORANDA

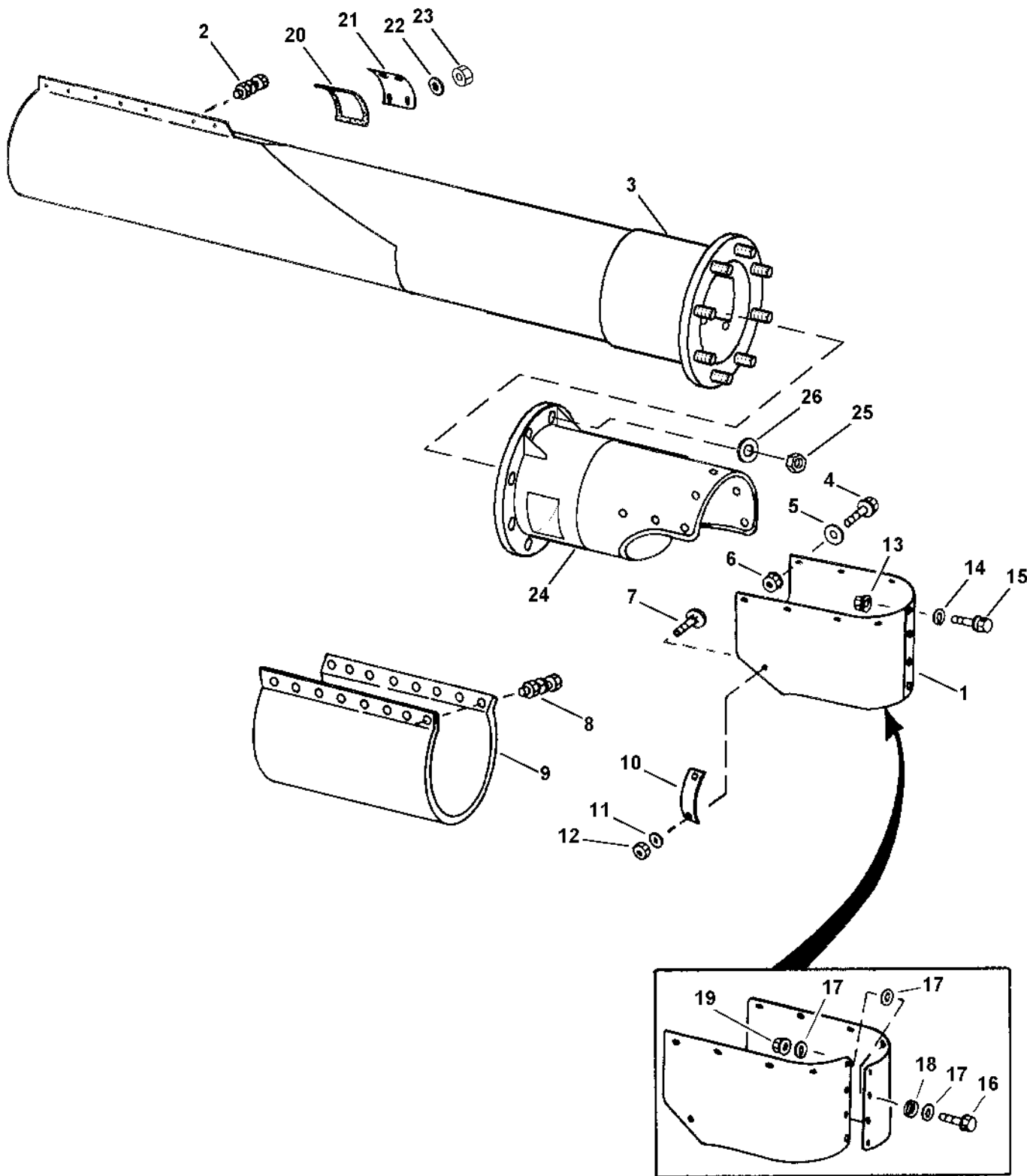
5C20

CLEAN GRAIN ELEVATOR, GRAIN TANK AND UNLOADING AUGER

HORIZONTAL UNLOADING AUGER HOUSING (EXPORT)

(17 FT. AND 20 FT.)

HP7525 -UN-04MAY98



HP7525

5C21

CLEAN GRAIN ELEVATOR, GRAIN TANK AND UNLOADING AUGER

HORIZONTAL UNLOADING AUGER HOUSING, EXPORT - CONTINUED
(17 AND 20 FT.)

KEY	PART NO.	PART NAME	QTY	SERIAL NO.	REMARKS
1	H149780	SPOUT	1		
2	19M7868	SCREW	11	M8 X 30	
	14M7396	LOCK NUT	11	M8	
3	AH151408	HOUSING	1	5.2M PERFORATED, INNER	
	AH151407	HOUSING	1	6.1M PERFORATED, INNER	
	AH140334	HOUSING	1	5.2M RIGID	
4	19M7867	SCREW	8	M8 X 25	
5	24M7207	WASHER	8	8.400 X 24 X 2 MM	
6	14M7298	FLANGE NUT	8	M8	
7	03M7184	BOLT	2	M8 X 20	
8	19M7897	SCREW	8	M8 X 35	
	14M7298	FLANGE NUT	8	M8	
9	H127998	COVER	1	USE WITH PERFORATED AUGER HOUSING	
10	H141450	STRAP	1		
11	24H1291	WASHER	4	21/64" X 1-15/32" X 7/64"	
12	14M7298	FLANGE NUT	2	M8	
13	14M7298	FLANGE NUT	1	M8	
14	24H1291	WASHER	1	21/64" X 1-15/32" X 7/64"	
15	19M7867	SCREW	1	M8 X 25	
16	19M7863	SCREW	3	M6 X 25	
	19M7796	SCREW	3	M6 X 30	
17	24H1291	WASHER	9	21/64" X 1-15/32" X 7/64"	
18	28H5	WASHER	3	0.269" X 0.405" X 1/4"	
19	14M7303	FLANGE NUT	3	M6	
20	WEATHERSTRIP	1	CUT FROM H81330	
21	H96652	DOOR	1		
22	24M7207	WASHER	4	8.400 X 24 X 2 MM, 8.400 X 24 X 2MM	
23	14H785	NUT	4	5/16"	
24	AH151410	HOUSING	1	5.2M RIGID, OUTER	
	AH151409	HOUSING	1	6.1M PERFORATED, OUTER	
25	14M7296	FLANGE NUT	8	M10 M10 X 1.5	
26	24M7207	WASHER	8	8.400 X 24 X 2 MM 8.400 X 24 X 2MM	

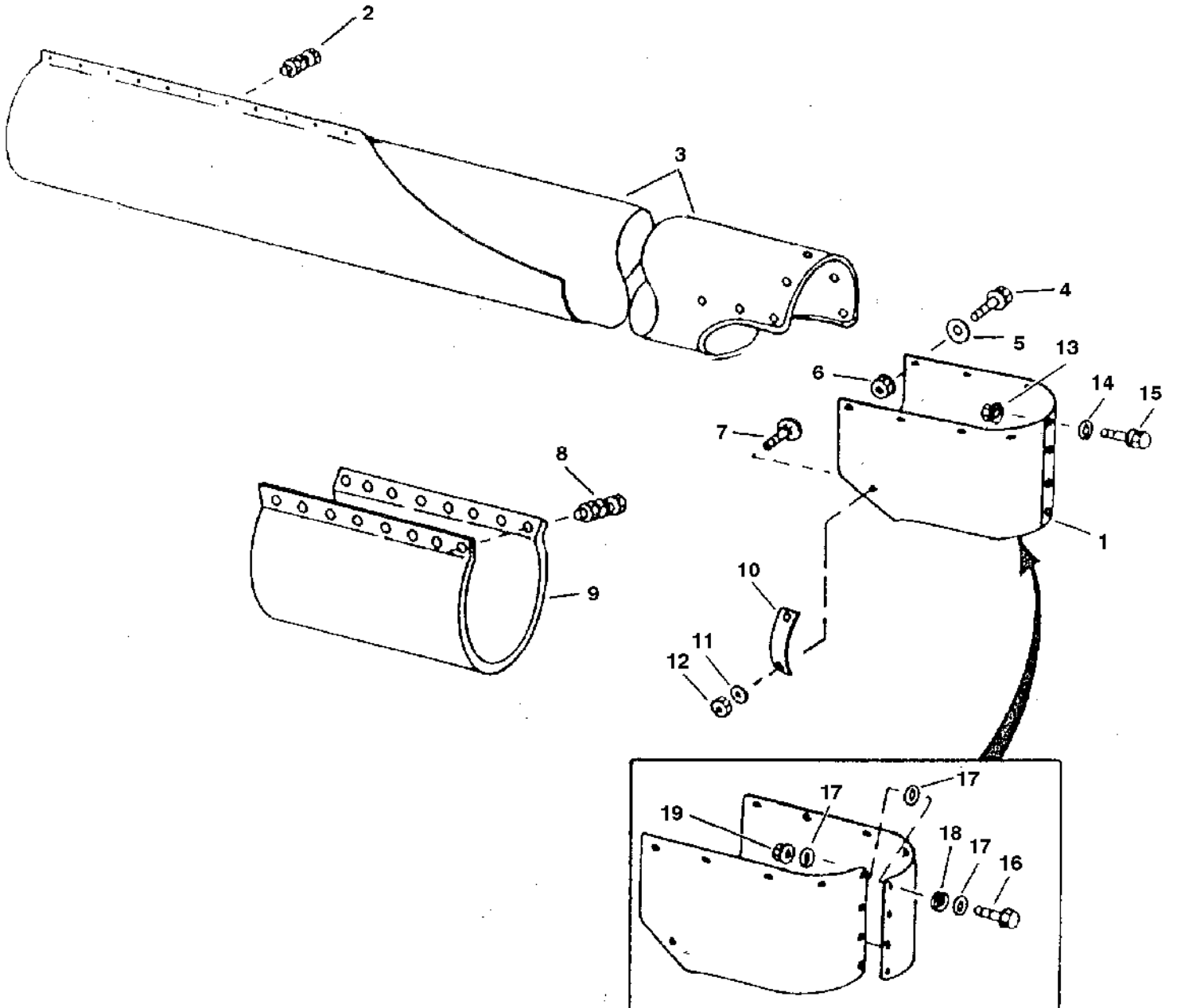
5C22

CLEAN GRAIN ELEVATOR, GRAIN TANK AND UNLOADING AUGER

HORIZONTAL UNLOADING AUGER HOUSING

(14 FT. AND 17 FT.)

HP6920 -UN-18AUG97



HP6920

5C23

CLEAN GRAIN ELEVATOR, GRAIN TANK AND UNLOADING AUGER

HORIZONTAL UNLOADING AUGER HOUSING - CONTINUED
(14 FT. AND 17 FT.)

KEY	PART NO.	PART NAME	QTY	SERIAL NO.	REMARKS
1	H149780	SPOUT	1		
2	19M7868	SCREW	11	M8 X 30	
	14M7396	LOCK NUT	11	M8	
3	AH145047	HOUSING	1	(2755MM LONG)(USE WITH 14 FT AUGER)	
	AH129066	HOUSING	1	SOLID (3670 MM LONG) (USE WITH 17 FT. AUGER)	
	AH145049	HOUSING	1		
	AH145048	HOUSING	1	PERFORATED (2755MM LONG) (USE WITH 14 FT AUGER)	
	AH140335	HOUSING	1	PERFORATED (3670MM LONG) (USE WITH 17 FT AUGER)	
4	19M7867	SCREW	8	M8 X 25	
5	24M7207	WASHER	8	8.400 X 24 X 2 MM	
6	14M7298	FLANGE NUT	8	M8	
7	03M7184	BOLT	2	M8 X 20	
8	19M7897	SCREW	7	M8 X 35	
	14M7298	FLANGE NUT	7	M8	
9	H127998	COVER	1	USE WITH PERFORATED AUGER HOUSING	
10	H141450	STRAP	1		
11	24H1291	WASHER	4	21/64" X 1-15/32" X 7/64"	
12	14M7298	FLANGE NUT	2	M8	
13	14M7298	FLANGE NUT	1	M8	
14	24H1291	WASHER	1	21/64" X 1-15/32" X 7/64"	
15	19M7867	SCREW	1	M8 X 25	
16	19M7863	SCREW	3	M6 X 25	
	19M7796	SCREW	3	M6 X 30	
17	24H1291	WASHER	9	21/64" X 1-15/32" X 7/64"	
18	28H5	WASHER	3	0.269" X 0.405" X 1/4"	
19	14M7303	FLANGE NUT	3	M6	

5C24

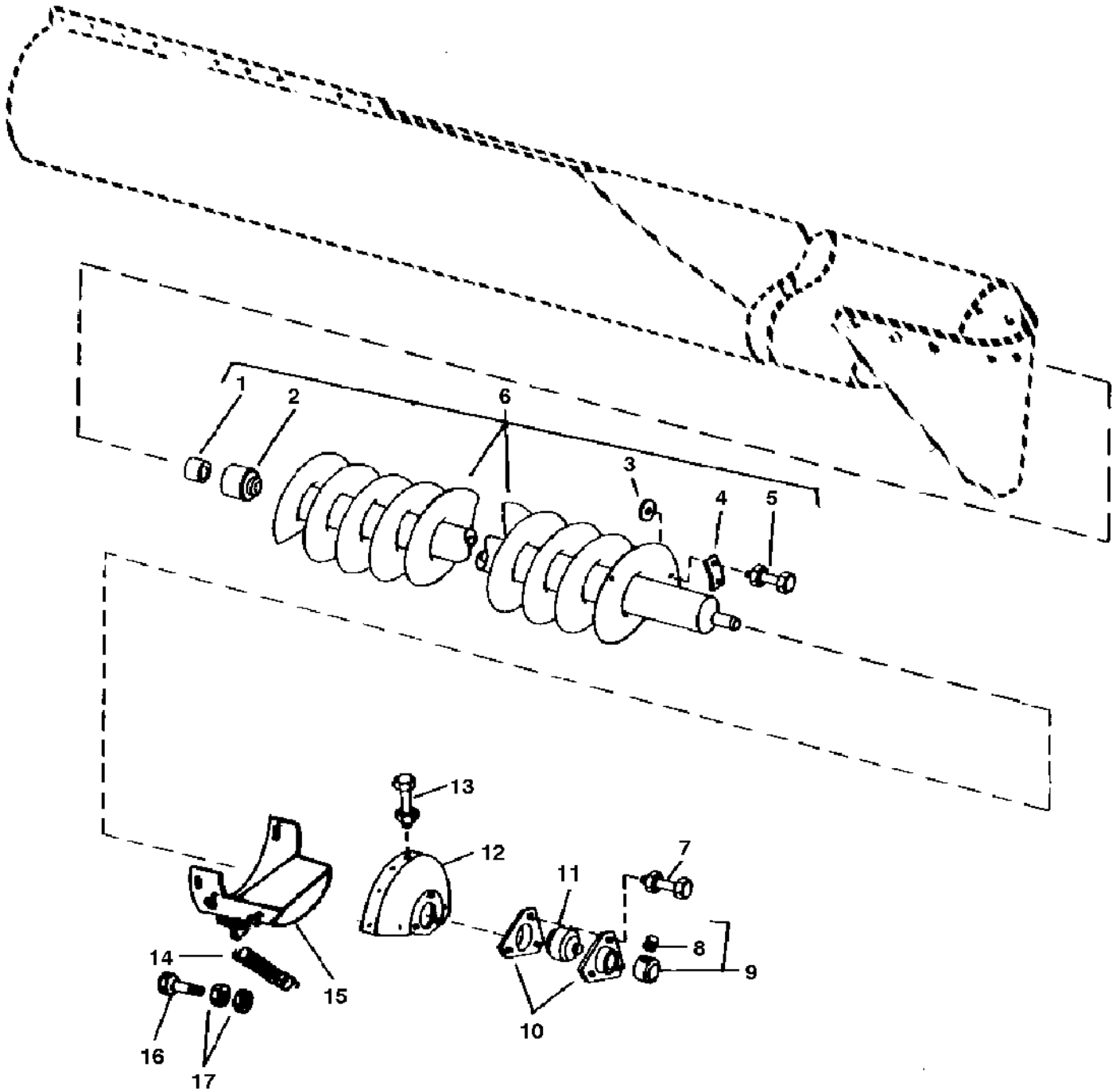
CLEAN GRAIN ELEVATOR, GRAIN TANK AND UNLOADING AUGER

HORIZONTAL UNLOADING AUGER

(14- AND 17-FT.)

HP6921

-UN-18AUG97



HP6921

5C25

CLEAN GRAIN ELEVATOR, GRAIN TANK AND UNLOADING AUGER

HORIZONTAL UNLOADING AUGER - CONTINUED
(14- AND 17- FT.)

KEY	PART NO.	PART NAME	QTY	SERIAL NO.	REMARKS
1	N72989	BUSHING	1		
2	AH122717	GUDGEON	1		(14 FT. ONLY) FOR AUGER REPAIR ONLY
	H127921	SPLINED COUPLING	1		W/O WASHER (17 FT. ONLY)FOR AUGER REPAIR ONLY
3	24H1300	WASHER	AR		25/64" X 2" X 0.220"
	24H1311	WASHER	AR		13/32" X 1-1/4" X 0.220"
4	H119566	STRIP	AR		100 MM (4") LONG
	H119567	STRIP	AR		120 MM (5") LONG
	H119568	STRIP	AR		150 MM (6") LONG
5	03H1495	BOLT	AR		3/8" X 1-1/2"
	03H1557	BOLT	AR		3/8" X 1-1/4"
	K40003	LOCK NUT	AR		
6	AH143731	AUGER	1		(14 FT)
	AH143729	AUGER	1		(17 FT)
7	03M7184	BOLT	3		M8 X 20
	14M7298	FLANGE NUT	3		M8
8	22H897	SET SCREW	1		1/4" X 1/4"
9	JD8554	ECCENTRIC LOCKING COLLAR	1		
10	H103264	PRESSED FLANGED HOUSING	2		
11	JD8665	BALL BEARING	1		
12	H96645	CAP	1		
13	19M7866	SCREW	5		M8 X 20
	14M7298	FLANGE NUT	5		M8
14	J18468	SPRING	2		
15	AH132230	DOOR	1		(INCLUDES Z24604)
	Z24604	HINGE	1		(USE WITH AH132230)
16	19M7868	SCREW	1		M8 X 30
17	14M7298	FLANGE NUT	2		M8

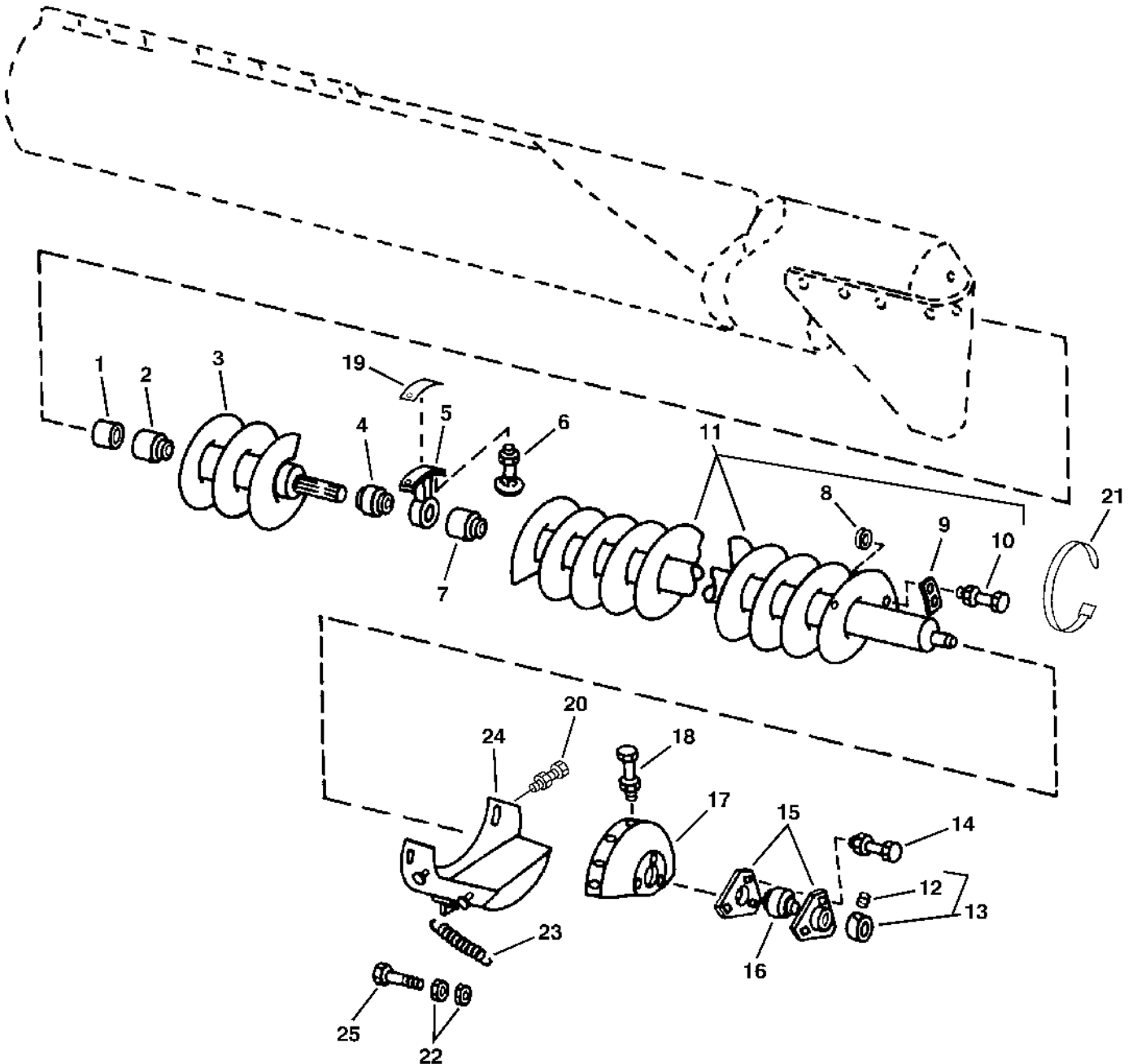
5D1

CLEAN GRAIN ELEVATOR, GRAIN TANK AND UNLOADING AUGER

HORIZONTAL UNLOADING AUGER

(17- AND 20- FT.)

HP6922 -UN-17SEP97



HP6922

5D2

CLEAN GRAIN ELEVATOR, GRAIN TANK AND UNLOADING AUGER

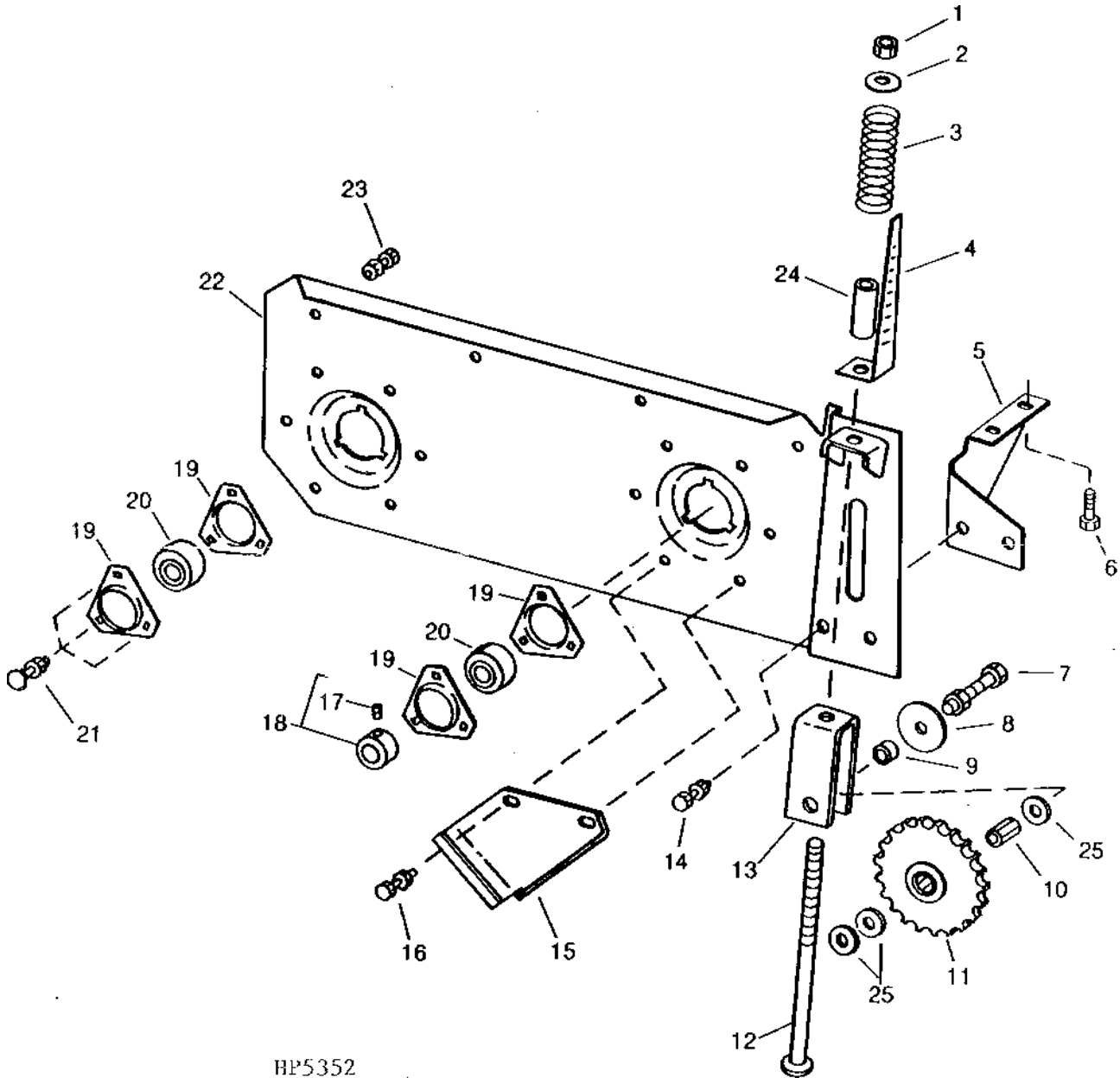
HORIZONTAL UNLOADING AUGER - CONTINUED (17- AND 20- FT.)

KEY	PART NO.	PART NAME	QTY	SERIAL NO.	REMARKS
1	N72989	BUSHING	1		
2	H116292	SPLINED COUPLING	1		
3	AH112435	AUGER	1		(5-1/2 FT.) PLUS 14 FT. EQUALS 20 FT. OR 11-1/2 FT TO EQUAL 17 FT.
	AH151413	AUGER	1		5.2M, OUTER (EXPORT ONLY)
4	JD9373	BALL BEARING	1		
5	H114873	HOUSING	1		
6	03M7193	BOLT	2	M10 X 35	
	14M7296	FLANGE NUT	2	M10	
7	AH122717	GUDGEON	1		
8	24H1300	WASHER	AR		25/64" X 2" X 0.220"
	24H1311	WASHER	AR		13/32" X 1-1/4" X 0.220"
9	H119566	STRIP	AR		100 MM (4") LONG
	H119567	STRIP	AR		125 MM (5") LONG
	H119568	STRIP	AR		150 MM (6") LONG
10	03H1495	BOLT	AR		3/8" X 1-1/2"
	03H1557	BOLT	AR		3/8" X 1-1/4"
	K40003	LOCK NUT	AR		
11	AH143731	AUGER	1		(14FT.) PLUS 5 1/2 FT. EQUALS 20FT.
	AH143727	AUGER	1		(17 FT)
	AH151403	AUGER	1		5.2M AND 6.1M INNER (EXPORT)
12	22H897	SET SCREW	1		1/4" X 1/4"
13	JD8554	ECCENTRIC LOCKING COLLAR	1		
14	03M7184	BOLT	3	M8 X 20	
	14M7298	FLANGE NUT	3	M8	
15	H103264	PRESSED FLANGED HOUSING	2		
16	JD8665	BALL BEARING	1		
17	H96645	CAP	1		
18	19M7866	SCREW	5	M8 X 20	
	14M7298	FLANGE NUT	5	M8	
19	H158817	PLATE	1		SPACER (EXPORT ONLY)
20	03M7183	BOLT	2	M8 X 16, (INCLUDES Z24604)	
	14M7298	FLANGE NUT	2	M8	
21	N189220	TIE BAND	1		(USE WITH AH132230)
22	14M7298	FLANGE NUT	2	M8	
23	J18468	SPRING	2		
24	AH132230	DOOR	1		(INCLUDES Z24604)
	Z24604	HINGE	1		(USE WITH AH132230)
25	19M7868	SCREW	1	M8 X 30	
26	AR21839	CLAMP	1		

5D3

CLEAN GRAIN ELEVATOR, GRAIN TANK AND UNLOADING AUGER

CROSS AUGER BEARING PLATE - LEFT-HAND
HP5352 -UN-01JAN94



HP5352

5D4

CLEAN GRAIN ELEVATOR, GRAIN TANK AND UNLOADING AUGER

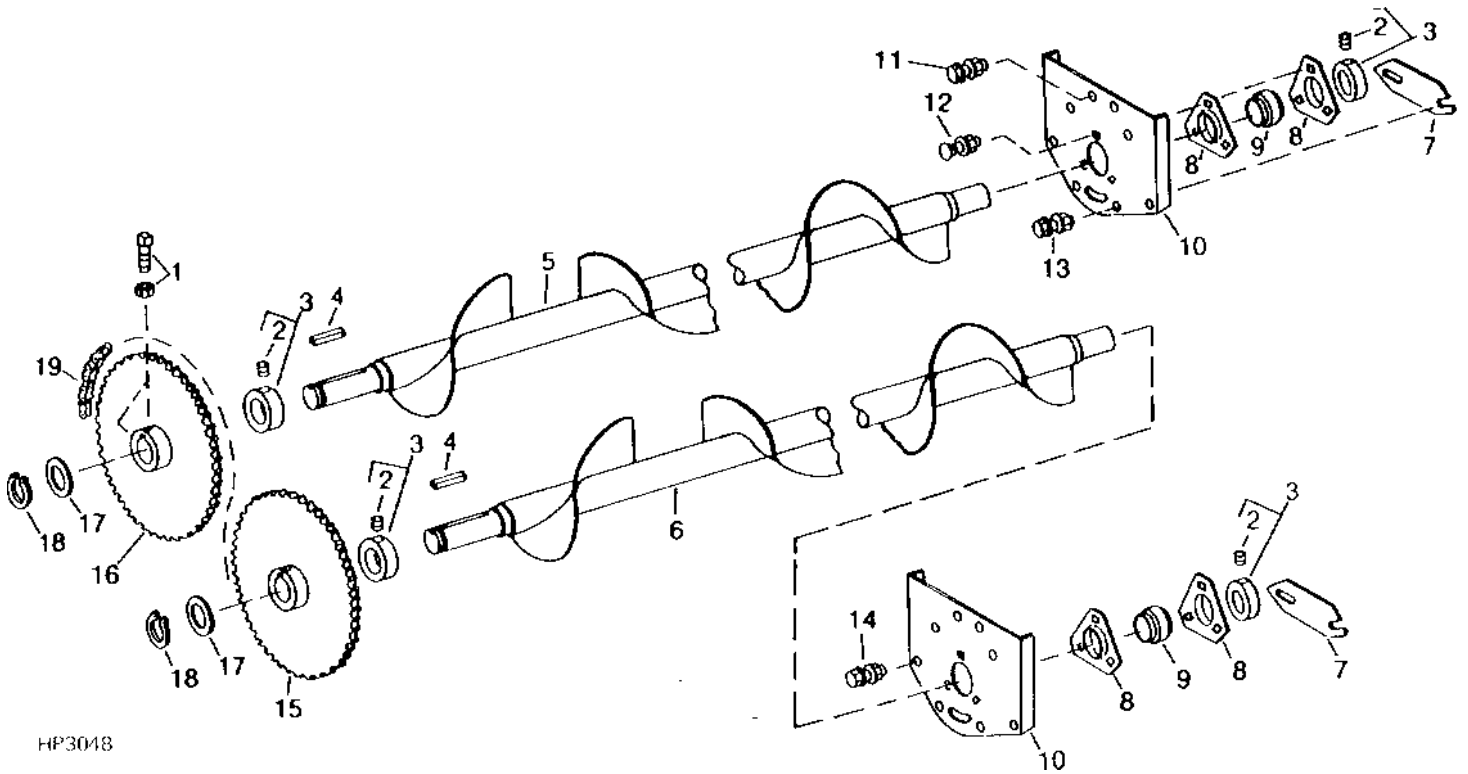
CROSS AUGER BEARING PLATE, LEFT-HAND - CONTINUED

KEY	PART NO.	PART NAME	QTY	SERIAL NO.	REMARKS
1	14M7275	NUT	2	M12	
2	24H1346	WASHER	1	13.487 X 44.450 X 3.048 MM	
3	R35542	SPRING	1		
4	H127923	GAUGE	1		
5	H127922	REINFORCEMENT	1		
6	19M7784	SCREW	2	M10 X 20	
7	19M7364	CAP SCREW	1	M12 X 80	
	14M7299	FLANGE NUT	1	M12	
8	24H1916	WASHER	1	13.487 X 88.900 X 4.572 MM (17/32" X 3-1/2" X 0.180")	
9	A22724	WASHER	1	0.510" X 3/4" X 0.210"	
10	H114395	SPACER	1		
11	AH106606	CHAIN SPROCKET	1	(INCLUDES JD7126) 24-TOOTH	
	JD7126	BALL BEARING	1		
12	H119997	BOLT	1	(SUB H163787)	
	H163787	BOLT	1		
13	H119996	CHANNEL	1	IDLER SUPPORT	
14	19M7866	SCREW	2	M8 X 20	
	14M7298	FLANGE NUT	2	M8	
15	H133579	STOP	1		
16	19M7866	SCREW	4	M8 X 20	
	14M7396	LOCK NUT	4	M8	
17	22M7081	SET SCREW	2	M10 X 10	
18	AH133191	ECCENTRIC LOCKING COLLAR	2		
19	H161529	PRESSED FLANGED HOUSING	4		
20	JD39104	BALL BEARING	2		
21	03M7191	BOLT	6	M10 X 25	
	14M7296	FLANGE NUT	6	M10	
22	AH141201	SUPPORT	1		
23	19M7784	SCREW	12	M10 X 20	
	14M7296	FLANGE NUT	12	M10	
24	TY22326	BULK HOSE	1	CUT TO LENGTH	
25	24M7242	WASHER	3	21.400 X 42 X 5 MM	

5D5

CLEAN GRAIN ELEVATOR, GRAIN TANK AND UNLOADING AUGER

GRAIN TANK CROSS AUGERS
HP3048 -UN-01JAN94



HP3048

5D6

CLEAN GRAIN ELEVATOR, GRAIN TANK AND UNLOADING AUGER

GRAIN TANK CROSS AUGERS - CONTINUED

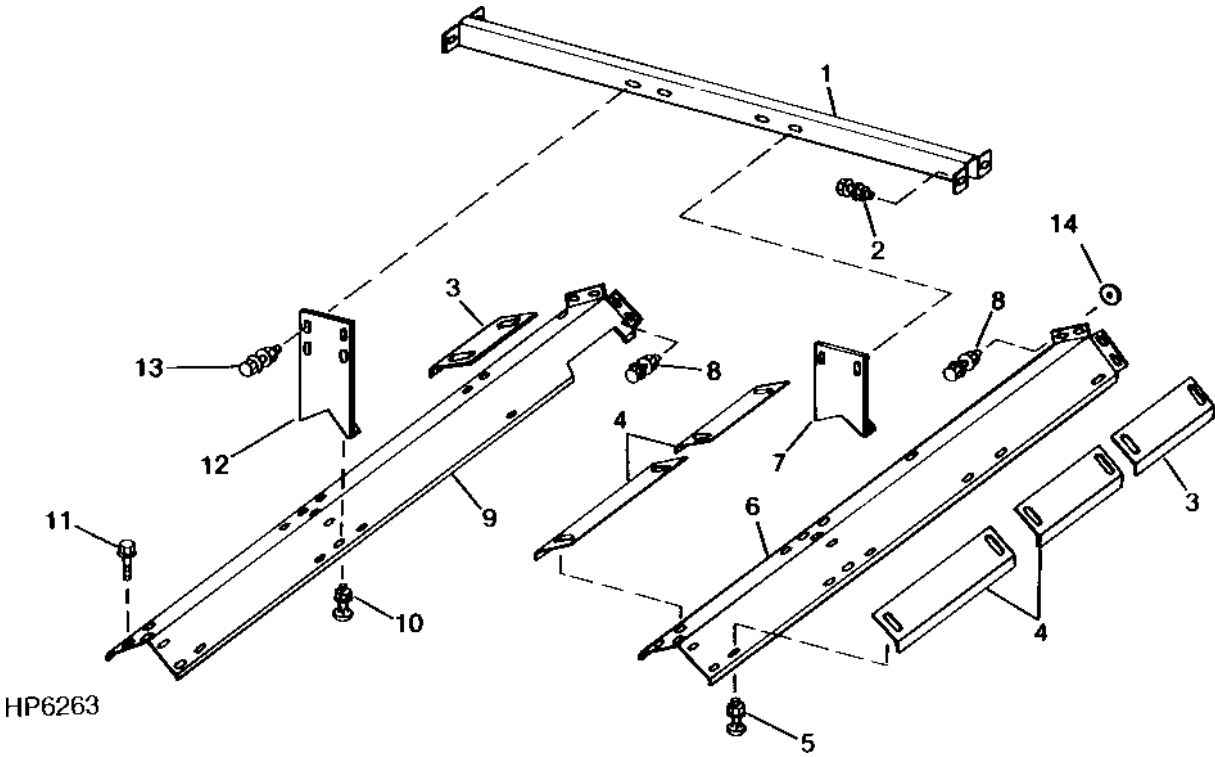
KEY	PART NO.	PART NAME	QTY	SERIAL NO.	REMARKS
1	H138435	SET SCREW	4		
	14M7152	NUT	4	M10	
2	22M7081	SET SCREW	4	M10 X 10	
3	AH133191	ECCENTRIC LOCKING COLLAR	4		
4	49M4120	SHAFT KEY	2		
5	AH167847	AUGER	1		(SUB FOR AH154965) FRONT-HEAVY DUTY
6	AH167848	AUGER	1		(SUB FOR AH154966) REAR-HEAVY DUTY
7	H102909	COVER	2		
8	H103265	PRESSED FLANGED HOUSING	4		
9	JD39104	BALL BEARING	2		
10	H126280	REINFORCEMENT	2		BEARING PLATE - R.H.
11	19M7784	SCREW	8	M10 X 20	
	14M7296	FLANGE NUT	8	M10	
12	03M7190	BOLT	3	M10 X 20	
	14M7296	FLANGE NUT	3	M10	
13	19M7866	SCREW	4	M8 X 20	
	14M7396	LOCK NUT	4	M8	
14	19M7866	SCREW	4	M8 X 20	
	14M7298	FLANGE NUT	4	M8	
15	AH125070	CHAIN SPROCKET	1		49-TOOTH (REAR), REGULAR
	AH140001	CHAIN SPROCKET	1		60-TOOTH (REAR), SLOW DOWN
16	AH125070	CHAIN SPROCKET	1		49-TOOTH (FRONT)
	AH140001	CHAIN SPROCKET	1		60-TOOTH (REAR), SLOW DOWN
17	24H1511	WASHER	AR		1-13/32" X 1-3/4" X 0.060"
18	40M7046	SNAP RING	1		
19	AH126836	LINK CHAIN	1		ROLLER, TYPE 60 - 19 MM (3/4") PITCH, 198 LINKS (FOR USE WITH 6359 ENGINE) (REGULAR SPEED)
	AH146359	LINK CHAIN	1		ROLLER, TYPE 60H - 19 MM (3/4") PITCH 204 LINKS (SLOW DOWN SPEED)

5D7

CLEAN GRAIN ELEVATOR, GRAIN TANK AND UNLOADING AUGER

CROSS AUGER COVERS AND CHANNEL

HP6263 -UN-23JAN96



KEY	PART NO.	PART NAME	QTY	SERIAL NO.	REMARKS
1	H126801	CHANNEL	1		
2	19M7784	SCREW	4	M10 X 20	
	14M7296	FLANGE NUT	4	M10	
3	H129472	COVER	6	SMALL ADJUSTABLE	
4	H129471	COVER	4	LARGE ADJUSTABLE	
5	03M7183	BOLT	20	M8 X 16	
	14M7298	FLANGE NUT	20	M8	
6	H129465	COVER	1	REAR	
7	H126802	SUPPORT	1	REAR COVER	
8	19M7784	SCREW	8	M10 X 20	
	14M7296	FLANGE NUT	8	M10	
9	H129464	COVER	1	FRONT	
10	03M7183	BOLT	8	M8 X 16	
	14M7298	FLANGE NUT	8	M8	
11	37M7058	SCREW	8	M8 X 20, (THREAD ROLLING)	
12	H126804	SUPPORT	1	FRONT COVER	
13	19M7865	SCREW	4	M8 X 16	
	14M7298	FLANGE NUT	4	M8	
14	H141123	NUT	8		
..	BH81165	COMPLETE GOODS/SHIP. BUNDLE	1	COVERS - AUGER ADJ.	

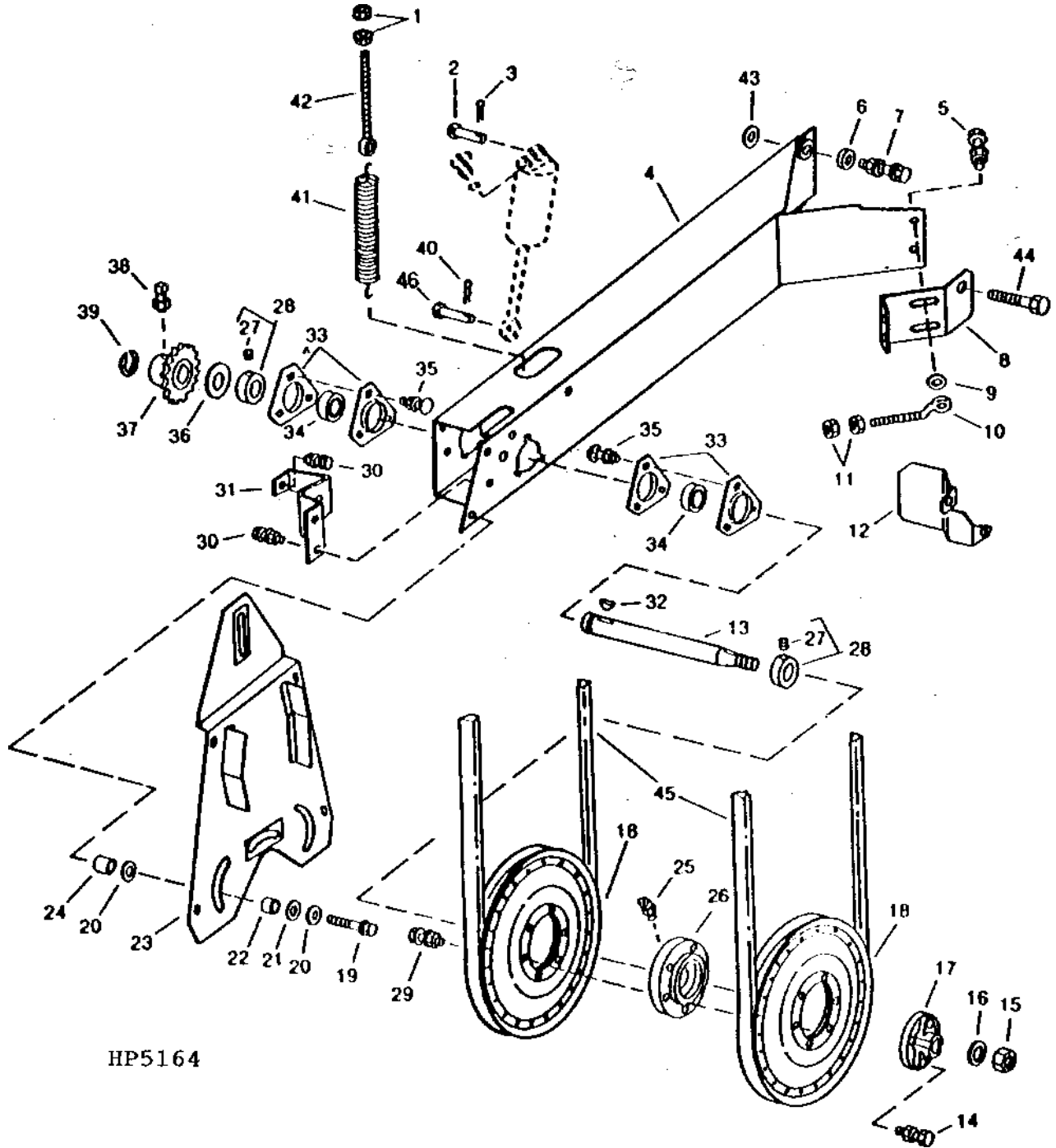
MEMORANDA

5D8

CLEAN GRAIN ELEVATOR, GRAIN TANK AND UNLOADING AUGER

UNLOADING AUGER COUNTERSHAFT DRIVE

HP5164 -UN-01JAN94



HP5164

5D9

CLEAN GRAIN ELEVATOR, GRAIN TANK AND UNLOADING AUGER

UNLOADING AUGER COUNTERSHAFT DRIVE - CONTINUED

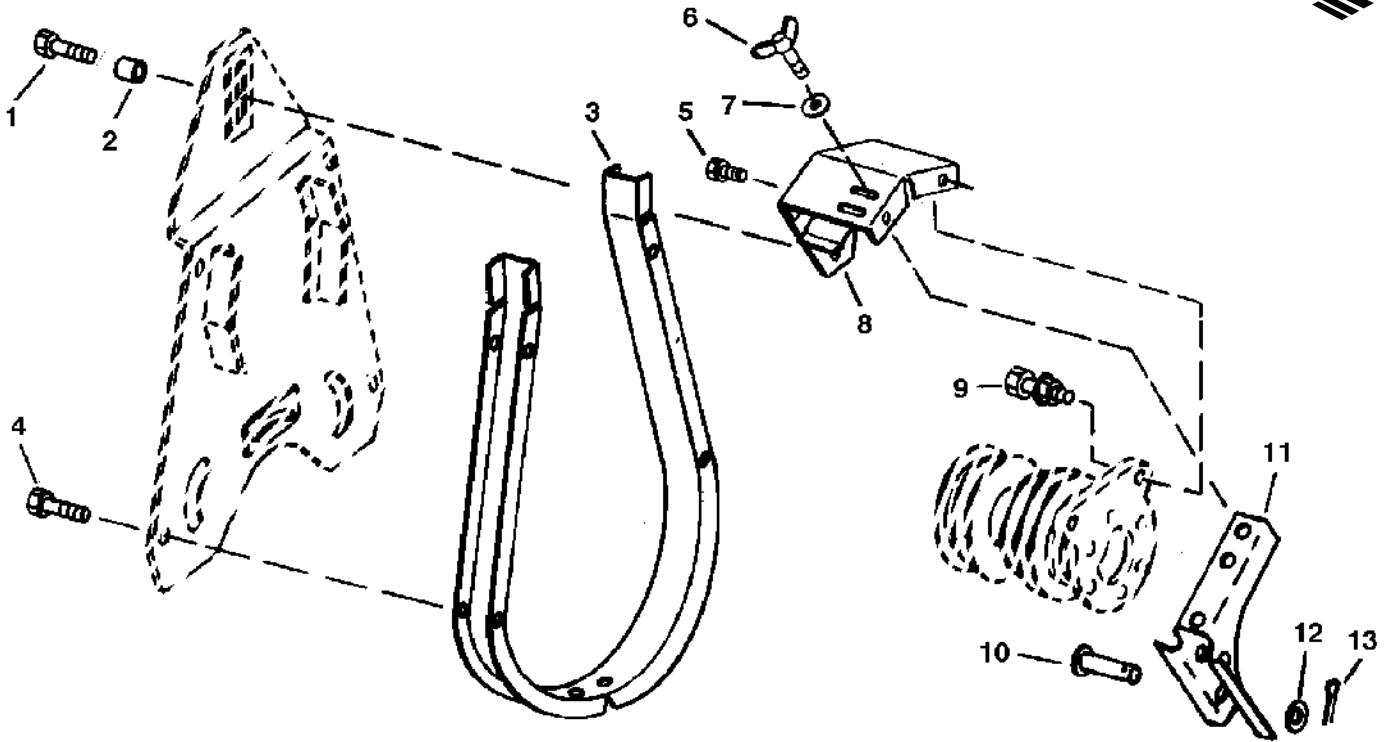
KEY	PART NO.	PART NAME	QTY	SERIAL NO.	REMARKS
1	14M7296	FLANGE NUT	2		
2	H98765	PIN	1		
3	11M7059	COTTER PIN	1		3.200 X 20 MM
4	AH144068	ARM	1		(SUB AH164841)
	AH164841	ARM	1		
5	19M7835	SCREW	2		M10 X 35
	14M7296	FLANGE NUT	2		M10
6	Z33404	SPACER	2		
7	19M7794	SCREW	1		
	A31869	LOCK NUT	2		
8	AH118993	BRACKET	1		
9	24M7178	WASHER	2		10.500 X 30 X 2.500 MM
10	H116262	EYEBOLT	2		
11	14M7274	NUT	4		M10
12	H137869	SHIELD	1		
13	H133024	COUNTERSHAFT	1		
14	19M7185	CAP SCREW	1		M8 X 60, (SHEAR BOLT)
	E64256	LOCK NUT	1		M8
15	A31871	LOCK NUT	1		M24
16	24M7091	WASHER	1		26 X 44 X 4 MM
17	H133026	HUB	1		
18	AH106096	PULLEY	2		
19	19M8318	SCREW	3		M8 X 45
20	24M7207	WASHER	6		8.400 X 24 X 2 MM
21	24H1357	WASHER	2		19/32" X 1-5/32" X 0.090", (AT LONG SLOTS ONLY)
22	28H1511	WASHER	3		0.364" X 0.540" X 1/4"
23	AH140901	GUARD	2		
24	28H2531	BUSHING	3		
25	JD7797	LUBRICATION FITTING	1		
26	H133025	HUB	1		
27	22M7081	SET SCREW	2		M10 X 10
28	AH133191	ECCENTRIC LOCKING COLLAR	2		
29	19M8317	SCREW	6		M8 X 40
	14M7298	FLANGE NUT	6		M8
30	19M7866	SCREW	3		M8 X 20
	14M7298	FLANGE NUT	3		M8
31	H133690	BRACKET	1		
32	26M6787	SHAFT KEY	2		10 X 32 MM, (WOODRUFF)
33	H103265	PRESSED FLANGED HOUSING	4		
34	JD39104	BALL BEARING	2		
35	03M7190	BOLT	6		M10 X 20
	14M7296	FLANGE NUT	6		M10
36	24H1510	WASHER	2		1-13/32" X 1-3/4" X 0.120"
37	AH128075	CHAIN SPROCKET	1		19 TOOTH
	AH128074	CHAIN SPROCKET	1		(RICE ONLY) 17 TOOTH
38	H138435	SET SCREW	2		
	14M7274	NUT	2		M10
39	P44478	SNAP RING	1		
40	J16931	SPRING LOCKING PIN	1		
41	H173011	LEAF SPRING	1		(SUB FOR H146310)
42	H114738	EYEBOLT	1		
43	24H1684	WASHER	2		11/16" X 2" X 0.105"
44	19M7824	SCREW	1		M16 X 60
45	AH158880	BELT SET	1		(SUB FOR AH127866)
46	H148340	PIN	1		

5D10

CLEAN GRAIN ELEVATOR, GRAIN TANK AND UNLOADING AUGER

UNLOADING AUGER DRIVE BELT GUIDE

HP6923 -UN-18AUG97



HP6923

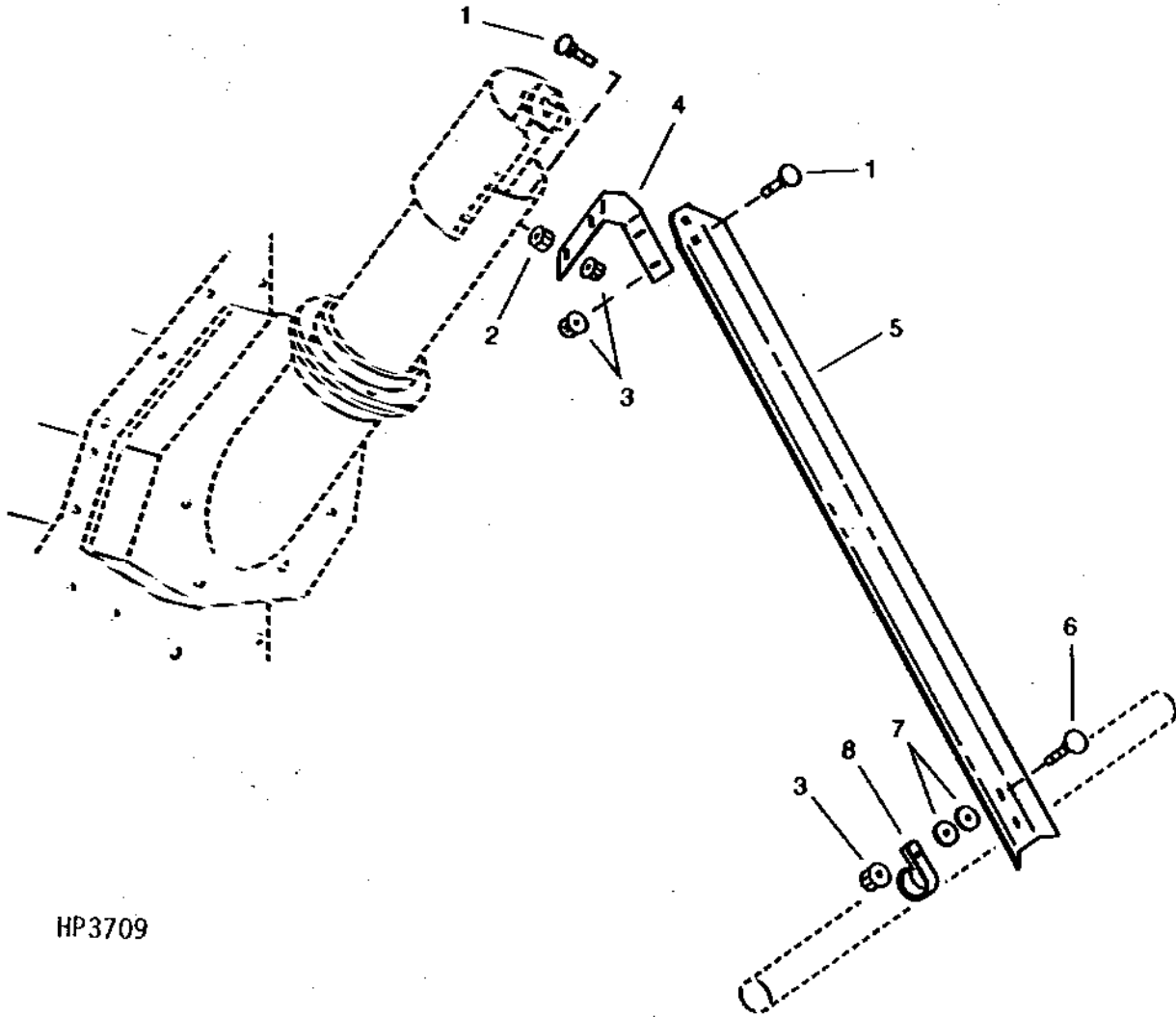
KEY	PART NO.	PART NAME	QTY	SERIAL NO.	REMARKS
1	19M7866	SCREW	1	M8 X 20	
2	28H1511	WASHER	1	0.364" X 0.540" X 1/4"	
3	AH116390	GUIDE	1		
4	19M7865	SCREW	6	M8 X 16, (INTO WELDNUTS)	
5	37M7058	SCREW	2	M8 X 20	
6	21M7269	WING SCREW	2	M8 X 20	
7	24M7207	WASHER	2	8.400 X 24 X 2 MM	
8	AH152654	SUPPORT	1		
9	19M7785	SCREW	2	M10 X 25	
	14M7296	FLANGE NUT	2	M10	
10	45M7042	PIN	2	12 X 50 MM	
11	AH127604	GUIDE	1		FOR STRAW CHOPPER DRIVE BELT
12	24M7047	WASHER	2	13 X 24 X 2.500 MM	
13	11M7015	COTTER PIN	2	3.200 X 25 MM	

MEMORANDA

5D11

CLEAN GRAIN ELEVATOR, GRAIN TANK AND UNLOADING AUGER

GRAIN TANK SAMPLING TROUGH
HP3709 -UN-01JAN94



HP3709

5D12

CLEAN GRAIN ELEVATOR, GRAIN TANK AND UNLOADING AUGER

GRAIN TANK SAMPLING TROUGH - CONTINUED

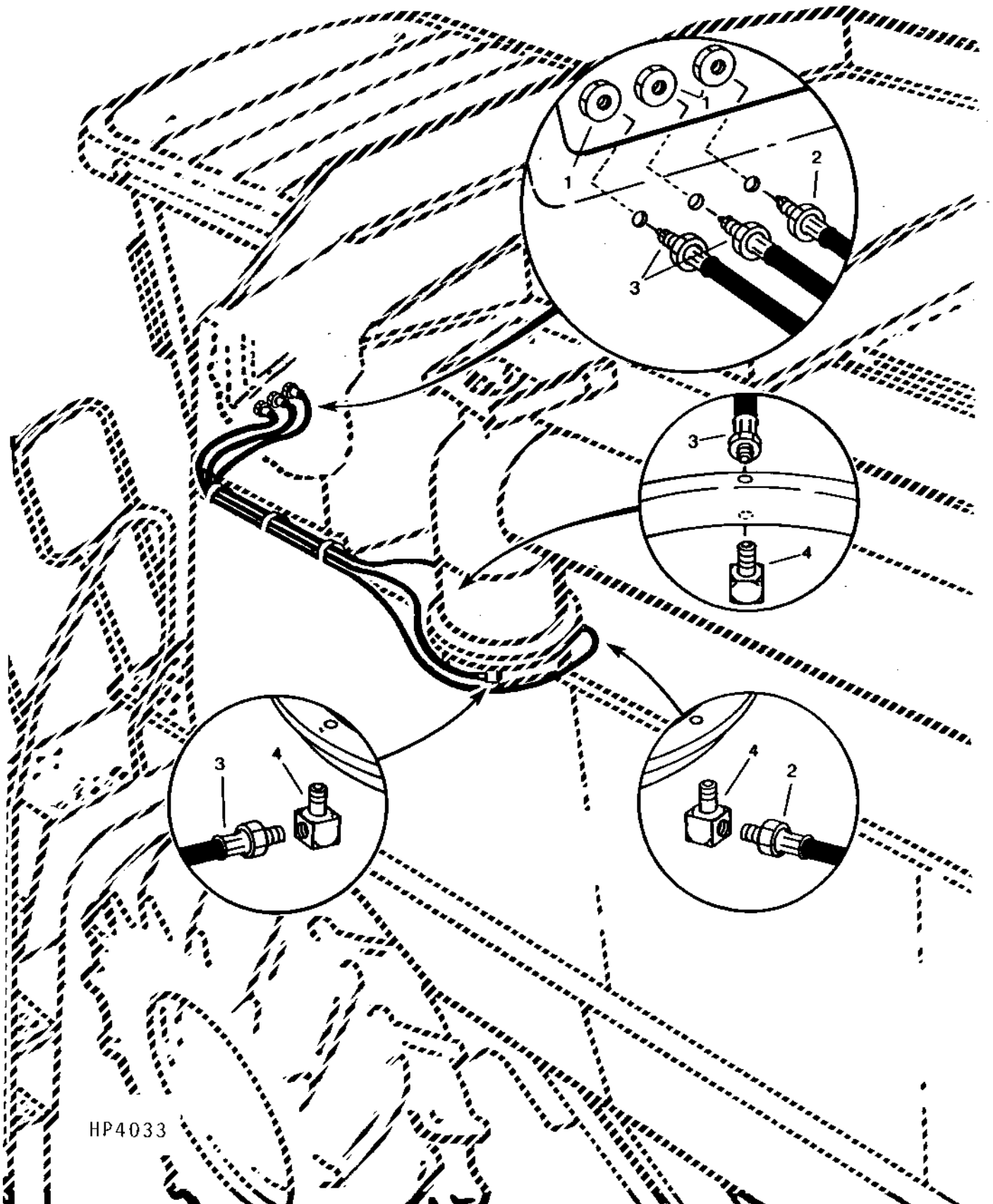
KEY	PART NO.	PART NAME	QTY	SERIAL NO.	REMARKS
1	03M7184	BOLT	4		
2	H131531	NUT	2		M8 X 20
3	14M7396	LOCK NUT	4		M8
4	H136306	BRACKET	1		
5	H136304	TROUGH	1		
6	03M7188	BOLT	1		M8 X 40
7	H28031	WASHER	2		
8	AH77714	CLIP	1		

5D13

CLEAN GRAIN ELEVATOR, GRAIN TANK AND UNLOADING AUGER

UNLOADING AUGER LOWER LUBE HOSE FITTINGS

HP4033 -UN-01JAN94



HP4033

5D14

CLEAN GRAIN ELEVATOR, GRAIN TANK AND UNLOADING AUGER

UNLOADING AUGER LOWER LUBE HOSE FITTINGS

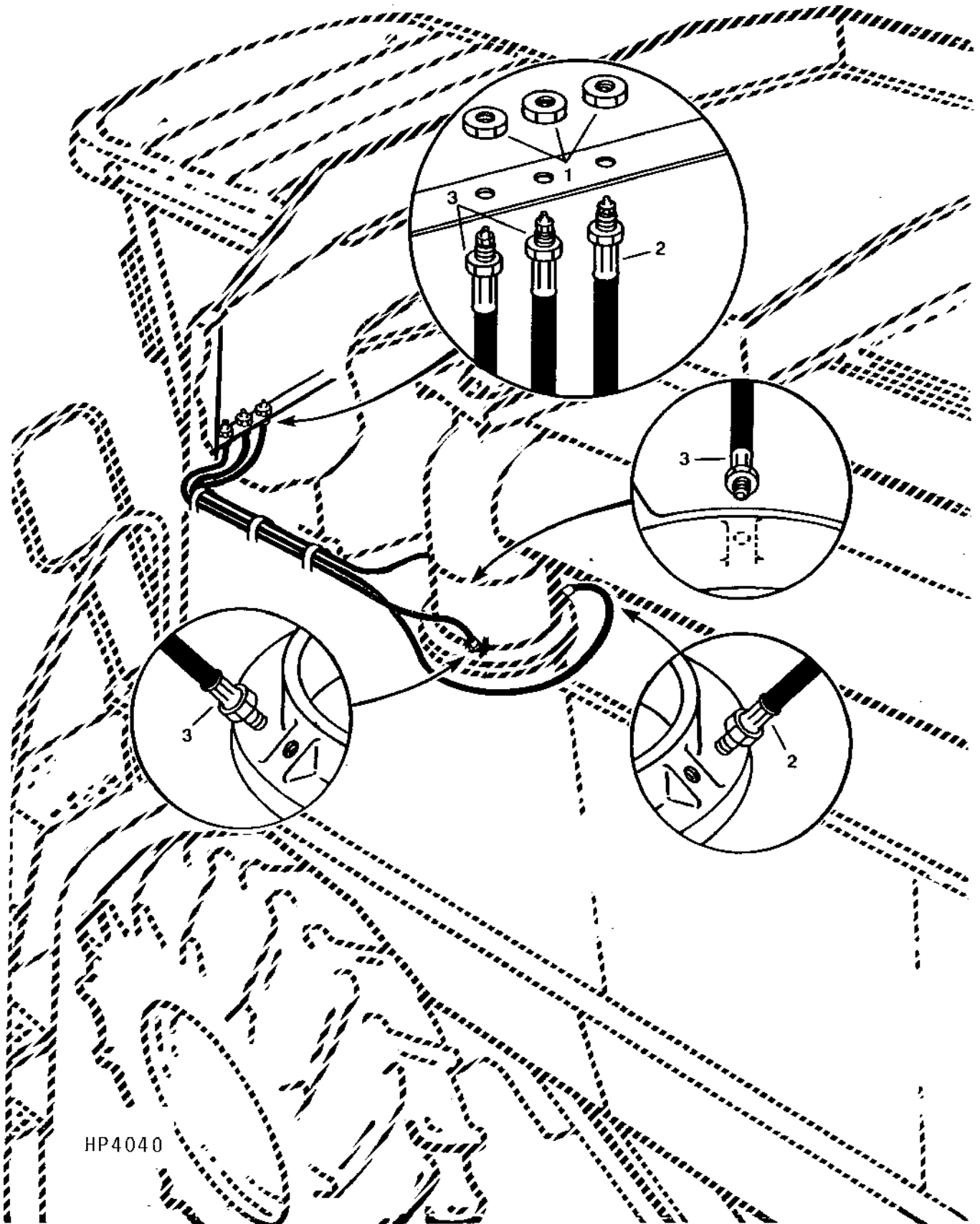
KEY	PART NO.	PART NAME	QTY	SERIAL NO.	REMARKS
1	E12379	NUT	1		3.175 MM (1/8")
2	AH136554	HOSE	1		1/8" X 2 050 MM (80-3/4") X 1/8"
3	AH136553	HOSE	2		1/8" X 1 600 MM (63") X 1/8"
4	JD7845	ELBOW FITTING	3		

5D15

CLEAN GRAIN ELEVATOR, GRAIN TANK AND UNLOADING AUGER

UNLOADING AUGER UPPER LUBE HOSE FITTINGS

HP4040 -UN-01JAN94



HP4040

5D16

CLEAN GRAIN ELEVATOR, GRAIN TANK AND UNLOADING AUGER

UNLOADING AUGER UPPER LUBE BANK - CONTINUED

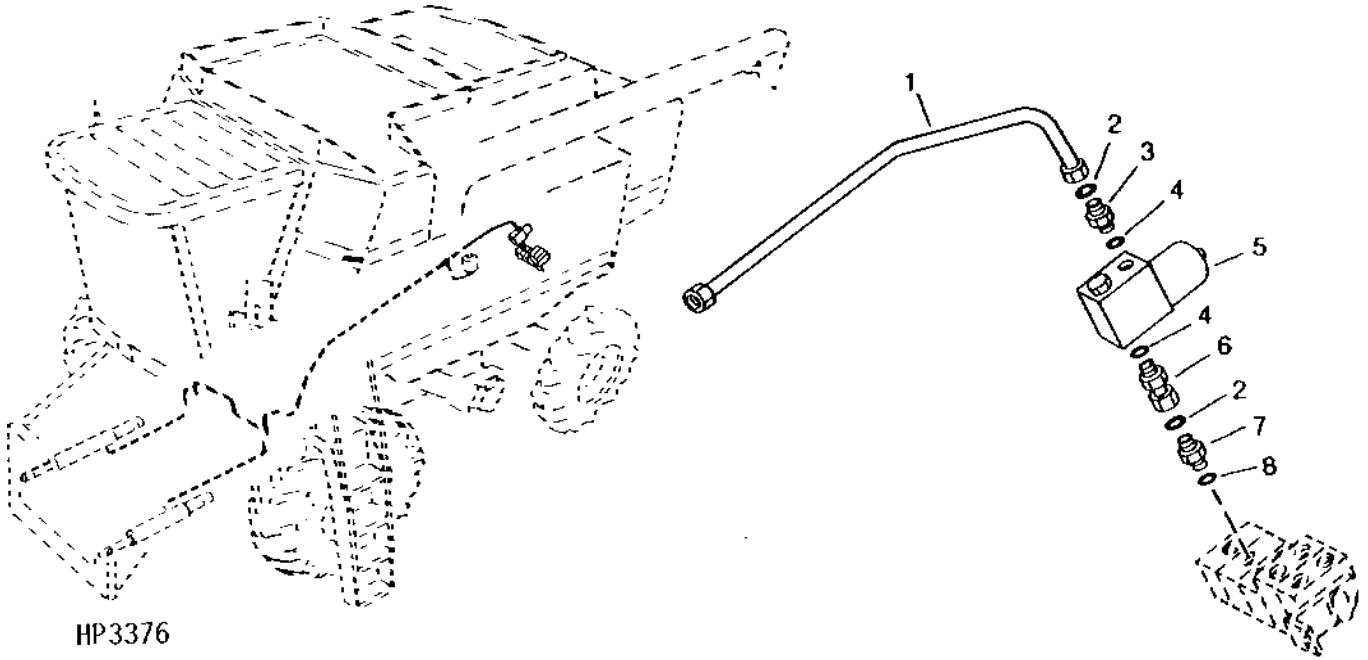
KEY	PART NO.	PART NAME	QTY	SERIAL NO.	REMARKS
1	E12379	NUT	1		3.175 MM (1/8")
2	AH136554	HOSE	1		1/8" X 2 050 MM (80-3/4") X 1/8"
3	AH136553	HOSE	2		1/8" X 1 600 MM (63") X 1/8"

MEMORANDA

MEMORANDA

**HYDRAULIC LINE AND VALVE BLOCK
(DIAL-A-MATIC HEADER HEIGHT CONTROL)**

HP3376 -UN-01JAN94



HP3376

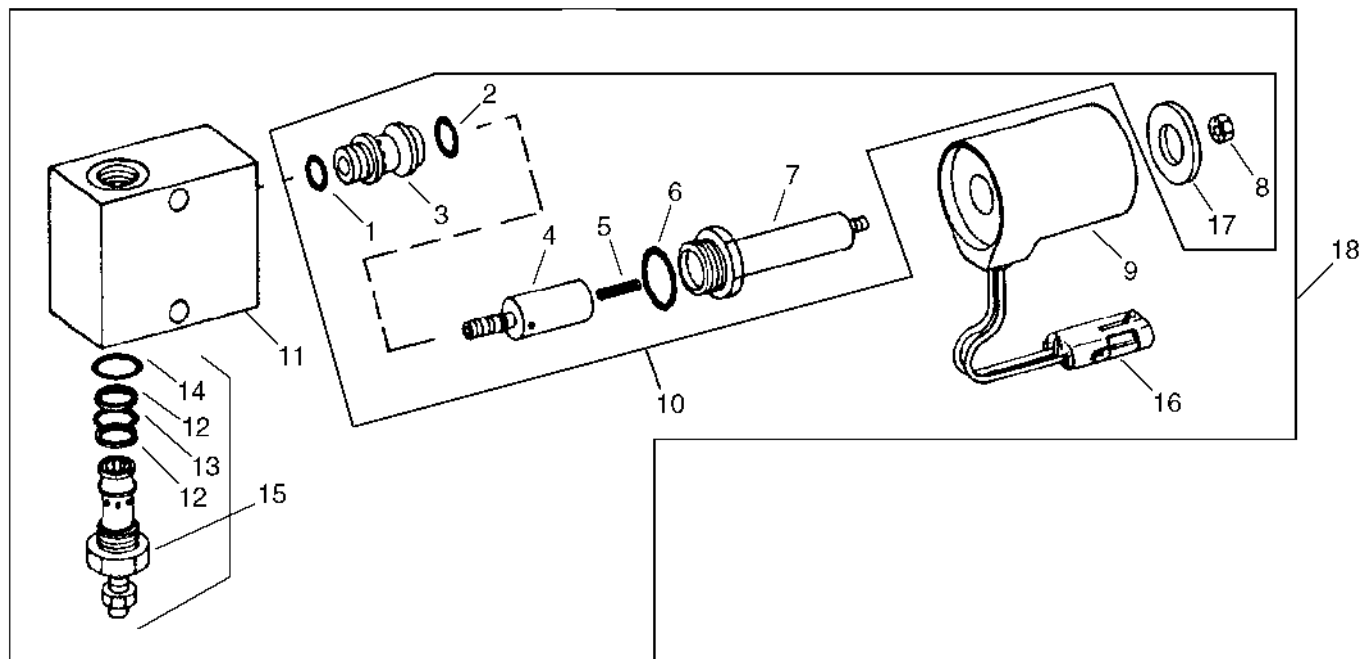
KEY	PART NO.	PART NAME	QTY	SERIAL NO.	REMARKS
1	AH128727	HYDRAULIC LINE	1		
2	T77857	O-RING	2	12.421 X 1.778 MM (0.489" X 0.070")	
3	38H1161	ADAPTER	1		
4	R26375	O-RING	2	16.358 X 2.210 MM (0.644" X 0.087")	
5	AH125910	SOLENOID VALVE	1		
6	38H1068	ADAPTER	1		
7	38H1173	ADAPTER	1		
8	R26448	O-RING	1	11.887 X 1.981 MM (0.468" X 5/64")	

5D19

DIAL-A-MATIC HEADER HEIGHT CONTROL

DIAL-A-MATIC HEADER HEIGHT CONTROL VALVE

HP8033 -UN-21APR99



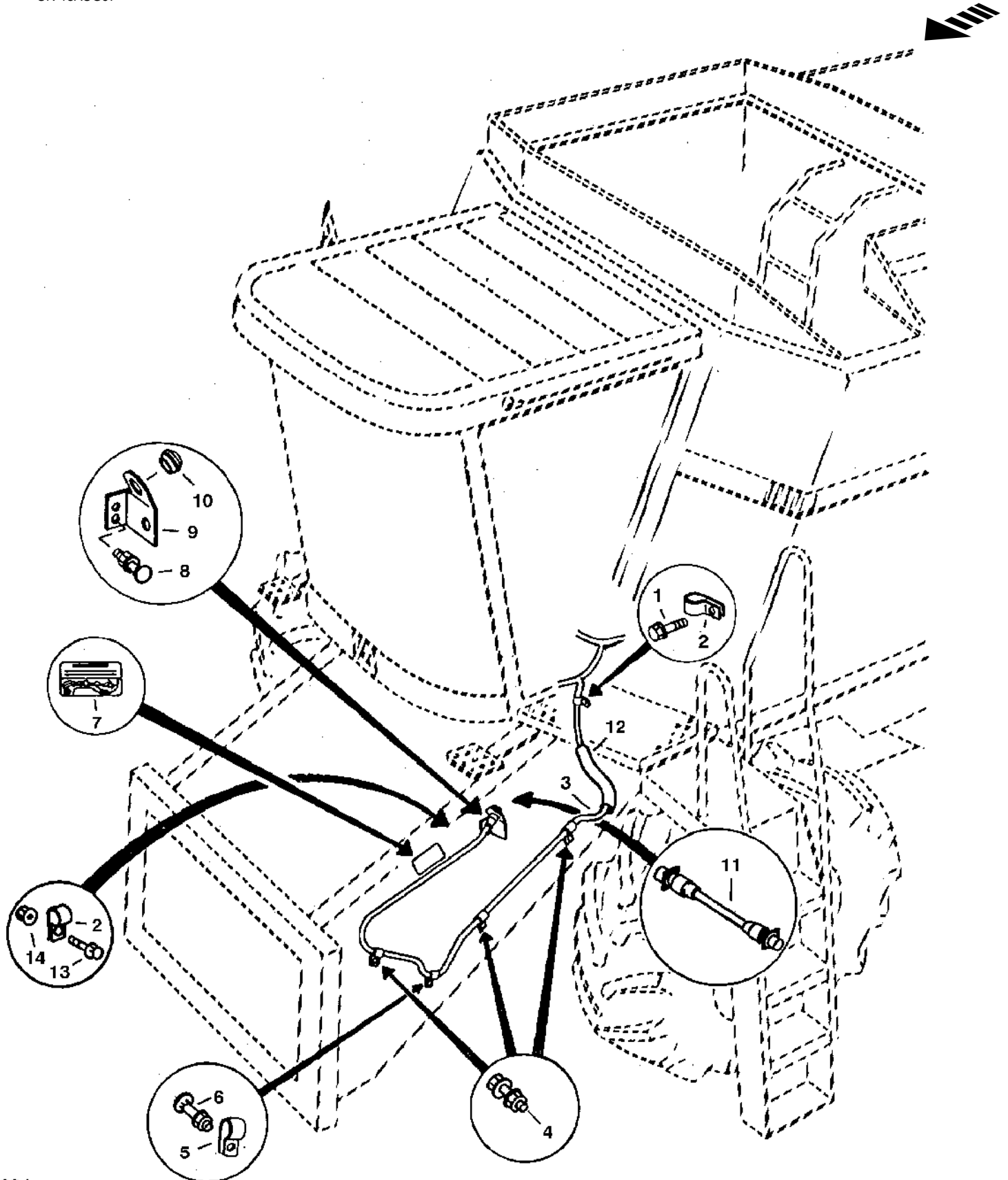
HP8033

KEY	PART NO.	PART NAME	QTY	SERIAL NO.	REMARKS
1	R28776	O-RING	1		12.421 X 1.778 MM (0.489" X 0.070")
2	T75984	O-RING	1		20.345 X 1.778 MM (0.801" X 0.070")
3	VALVE SPOOL	1		
4	PLUNGER	1		
5	SPRING	1		
6	R27928	O-RING	1		
7	GUIDE	1		
8	14H866	NUT	1	5/8"	
9	AH131572	ELECTRICAL COIL	1		
10	AH131571	VALVE	1		
11	H135964	HOUSING	1		
12	BACK-UP RING	2		
13	U15980	O-RING	1		
14	R26906	O-RING	1		19.177 X 2.464 MM (0.755" X 0.097")
15	AH131570	VALVE	1		
16	R78053	PIN CONTACT CONNECTOR BODY	1		
	R78059	ELECTRICAL PLUG	1		
	R78061	PIN CONTACT	1		
17	24H1368	WASHER	1		21/32" X 1-5/16" X 0.090"
18	AH125910	SOLENOID VALVE	1		
19	SET SCREW	1		(SUB AH156333)
20	KNOB	1		(SUB AH156333)
21	KNOB	1		(SUB AH156333)
22	AH156333	KIT	1		
..	BH81084	COMPLETE GOODS/SHIP. BUNDLE	1		HEIGHT CONTROL

5D20

DIAL-A-MATIC HEADER HEIGHT CONTROL

ELECTRICAL HARNESS
(DIAL-A-MATIC HEADER HEIGHT CONTROL)
HP6924 -UN-18AUG97



HP6924

5D21

DIAL-A-MATIC HEADER HEIGHT CONTROL

ELECTRICAL HARNESS - CONTINUED
(DIAL-A-MATIC HEADER HEIGHT CONTROL)

KEY	PART NO.	PART NAME	QTY	SERIAL NO.	REMARKS
1	37M7083	SCREW	1		M8 X 12
2	AH89557	CLIP	2		
3	AH134224	WIRING HARNESS	1		
4	03M7189	BOLT	3		M8 X 45
	14M7298	FLANGE NUT	3		M8
5	AH89557	CLIP	1		
6	03M7183	BOLT	1		M8 X 16
	14M7298	FLANGE NUT	1		M8
7	H137939	LABEL	1		(IMPORTANT)
8	03M7183	BOLT	1	-675147	M8 X 16
	14M7298	FLANGE NUT	1	-675147	M8
9	H134417	BRACKET	1		
10	H146306	PLUG	1		
11	AH128924	WIRING HARNESS	1		PIGTAIL TO CONNECT FEEDER HOUSE AND 200, 50,OR 50A SERIES ETC. ALSO REQUIRES AH89557 CLAMP, 19M7866 SCREW AND 14M7298 NUT
12	H132800	HOSE	1		SLEEVE FOR PROTECTION
13	19M7866	SCREW	1		M8 X 20
14	14M7298	FLANGE NUT	1		M8

MEMORANDA

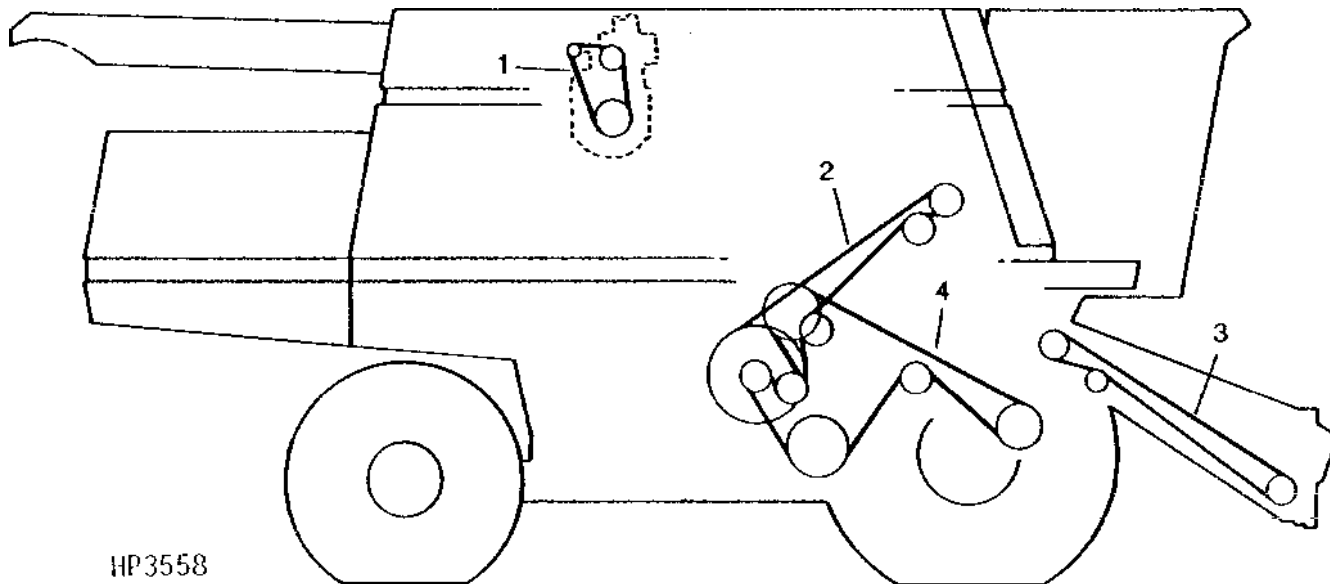
MEMORANDA

5E3

DECALS, BELTS AND CHAINS

ALTERNATOR, SECONDARY COUNTERSHAFT, FEEDER CONVEYOR, SHOE, STRAW WALKER AND CONVEYOR AUGERS

HP3558 -UN-01JAN94



HP3558

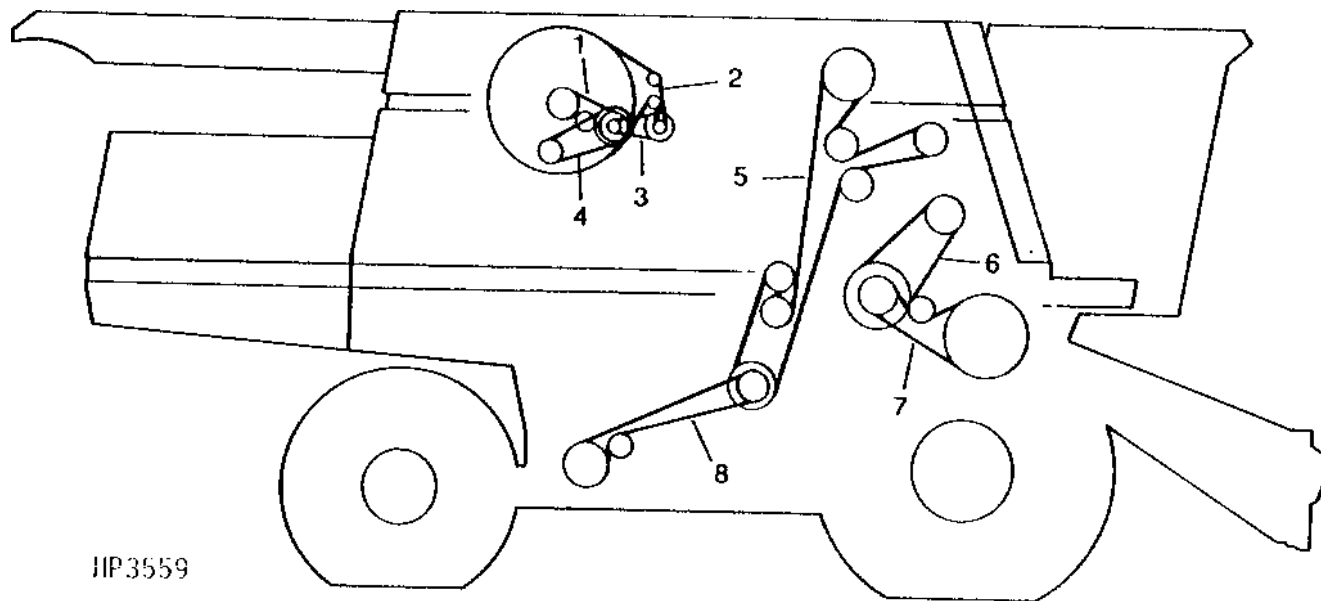
KEY	PART NO.	PART NAME	QTY	SERIAL NO.	REMARKS
1	H101813	BELT	1		12.700 X 1 479.550 MM (1/2" X 58-1/4")
2	H128010	BELT	1		SECONDARY COUNTERSHAFT
3	ROLLER CHAIN	1		(219 LINKS, SMALL SPROCKET; 223 LINS, LARGE SPROCKET) FEEDER CONVEYOR CHAIN (ROLLER, TYPE 60, 19MM (3/4"), 223 LINKS, ASSEMBLE FROM (4) AB1288H AND AB1289H)
4	H131169	BELT	1		SHOE, STRAW WALKER AND CONVEYOR AUGERS

5E4

DECALS, BELTS AND CHAINS

COOLING FAN, ROTARY SCREEN, AIR CONDITIONING, CLEAN GRAIN ELEVATOR, CYLINDER INTERMEDIATE DRIVE,
CYLINDER DRIVE AND LOWER TAILINGS AUGER AND ELEVATOR

HP3559 -UN-01JAN94



HP3559

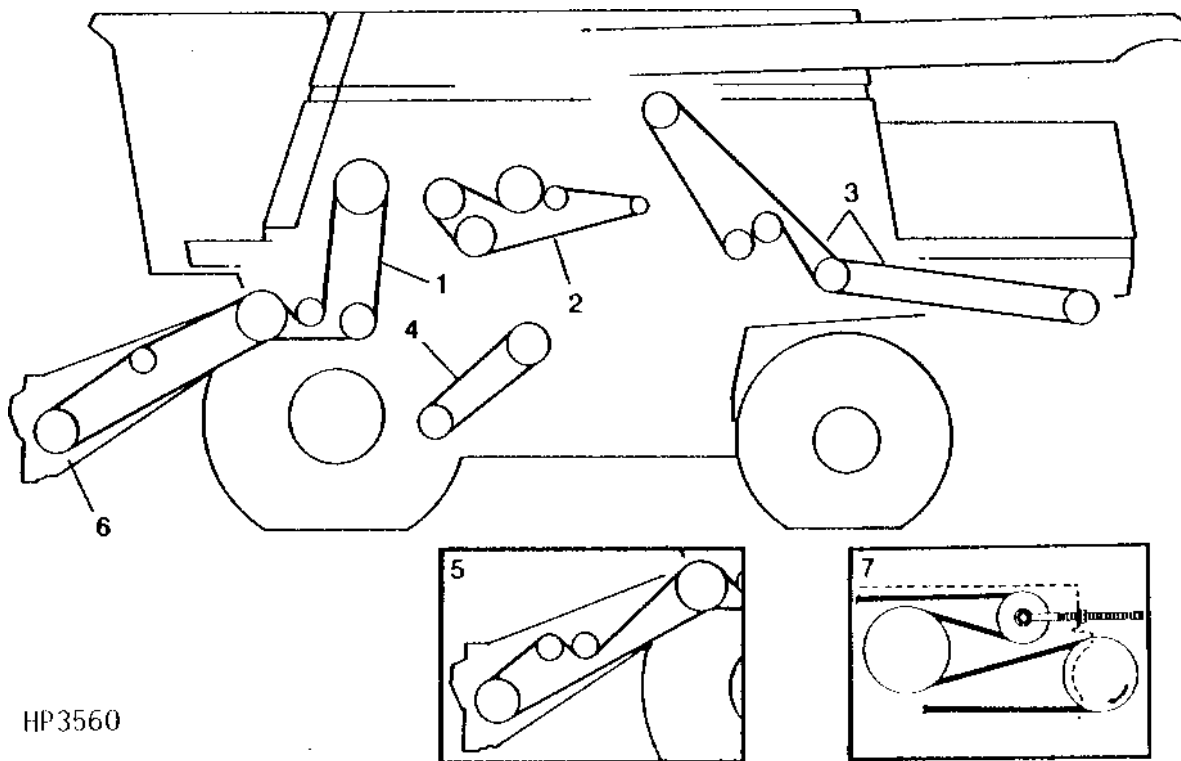
KEY	PART NO.	PART NAME	QTY	SERIAL NO.	REMARKS
1	H132808	BELT	1		COOLING FAN HIGH POWER
	H132809	BELT	1		LOW POWER
2	H145158	BELT	1		
3	H146636	BELT	1		
4	H80896	BELT	1		12.700 X 1 422.500 MM (1/2" X 56.004")
5	H160171	BELT	1		CLEAN GRAIN ELEVATOR
6	H115759	BELT	1		(SUB H162629) CYLINDER INTERMEDIATE DRIVE
	H162629	BELT	1		
	H137670	BELT	1		FOR EXTENDED RANGE
7	H115881	BELT	1		CYLINDER DRIVE REGULAR DUAL-RANGE AND SINGLE RANGE
	H145994	BELT	1		FOR EXTENDED RANGE
8	N110085	BELT	1		LOWER TAILINGS AUGER AND ELEVATOR

5E5

DECALS, BELTS AND CHAINS

HEADER AND REEL PUMP, UNLOADING AUGERS, STRAW CHOPPER, CLEANING FAN, FEEDER HOUSE AND STRAW SPREADER (LEFT-HAND DRIVES)

HP3560 -UN-01JAN94



HP3560

KEY	PART NO.	PART NAME	QTY	SERIAL NO.	REMARKS
1	H151952	BELT	1		
2	AH126836	LINK CHAIN	1		ROLLER, TYPE 60 - 19 MM (3/4") PITCH, 198 LINKS (FOR USE WITH 6359 ENGINE) (REGULAR SPEED)
	AH146359	LINK CHAIN	1		ROLLER, TYPE 60H - 19 MM (3/4") PITCH 204 LINKS (SLOW DOWN SPEED)
3	H125380	BELT	1		FRONT
	H27433	BELT	1		CHOPPER IN WINDROW OR FORWARD POSITION
	H101436	BELT	1		CHOPPER IN REAR (OPERATING) POSITION
4	H140404	BELT	1		SLOW SPEED
	H137264	BELT	1		FIXED SPEED FEEDER HOUSE WITH REVERSER
5	H126345	BELT	1		
6	H161648	BELT	1		VARIABLE SPEED FEEDER HOUSE
7	Z33774	BELT	1		STRAW SPREADER

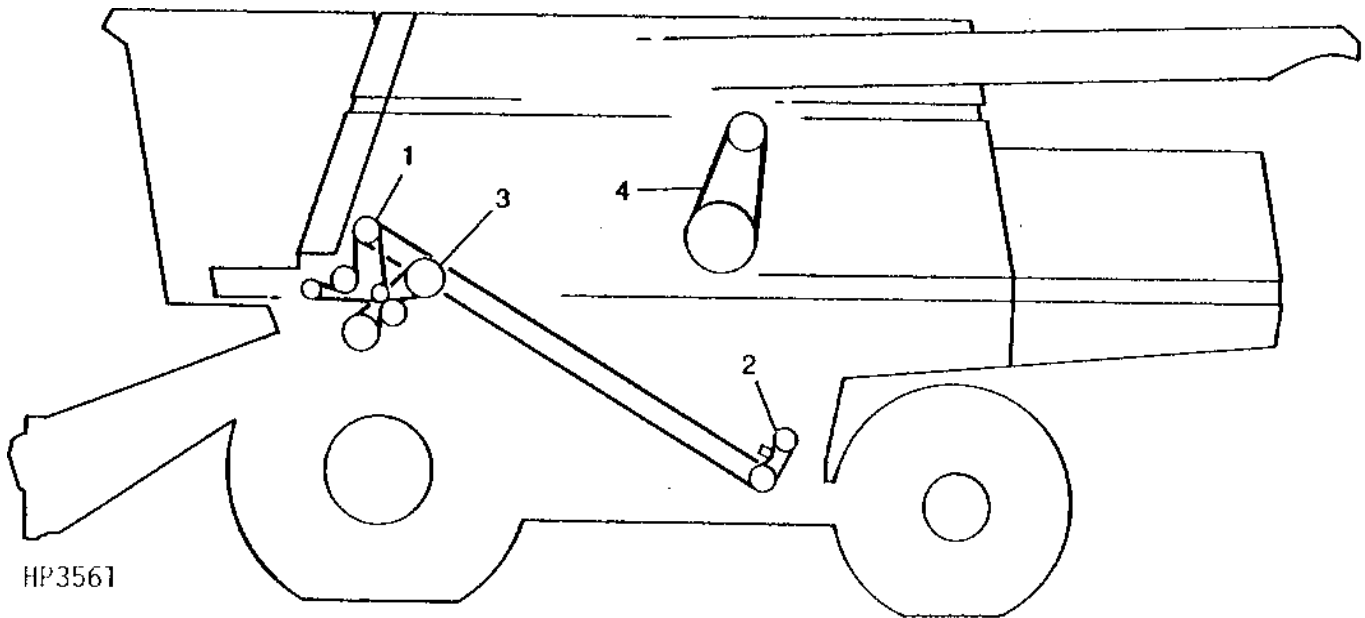
5E6

DECALS, BELTS AND CHAINS

TAILINGS AUGER, BEATER AND UNLOADING SYSTEM BELTS AND CHAINS

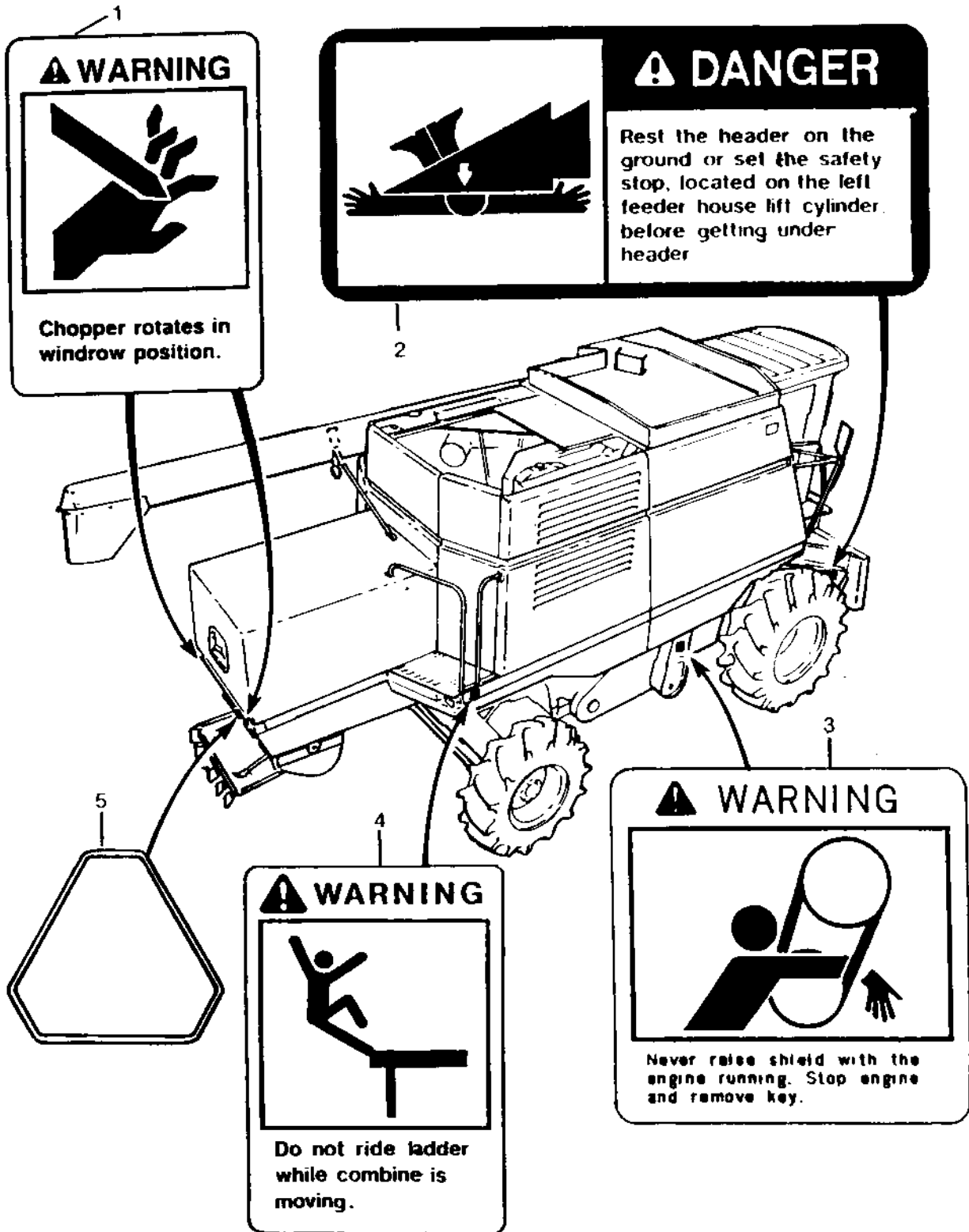
LEFT-HAND SIDE

HP3561 -UN-01JAN94



KEY	PART NO.	PART NAME	QTY	SERIAL NO.	REMARKS
1	ROLLER CHAIN	1		UPPER TAILINGS AUGER. ROLLER, TYPE 50, 16MM (5/8") PITCH, 123 LINKS, (ASSEMBLE FROM AH18482 OR AP22459 AND (1) P20351)
2	ROLLER CHAIN	1		LOWER TAILINGS AUGER. ROLLER, TYPE 50, 16MM (5/8") PITCH, 43 LINKS. (ASSEMBLE FROM AN18482 OR AP22459, (1) P20351 AND (1) P20352)
3	AH139436	BELT SET	1		FOR 100° BEATER DRIVE
	AH163931	BELT	1		(SUB FOR AH131960) FOR 75 ° BEATER DRIVE
4	AH158880	BELT SET	1		(SUB FOR AH127866) UNLOADING SYSTEM

SAFETY DECALS AND LOCATIONS
HP6159 -19-07SEP95



HP6159

5E8

DECALS, BELTS AND CHAINS

SAFETY DECALS AND LOCATIONS - CONTINUED

KEY	PART NO.	PART NAME	QTY	SERIAL NO.	REMARKS
1	H149102	DECAL	1		CHOPPER
2	H149063	LABEL	1		HEADER
3	H149099	DECAL	1		CLEAN GRAIN ELEVATOR
4	H149064	LABEL	1		LADDER
5	JD5400	SMV EMBLEM	1	-675221	SMV (SLOW MOVING VEHICLE)
	JD5927	SMV EMBLEM	1	675222-	SMV (SLOW MOVING VEHICLE)

SAFETY DECALS AND LOCATIONS
HP9108 -UN-04JAN99



HP9108

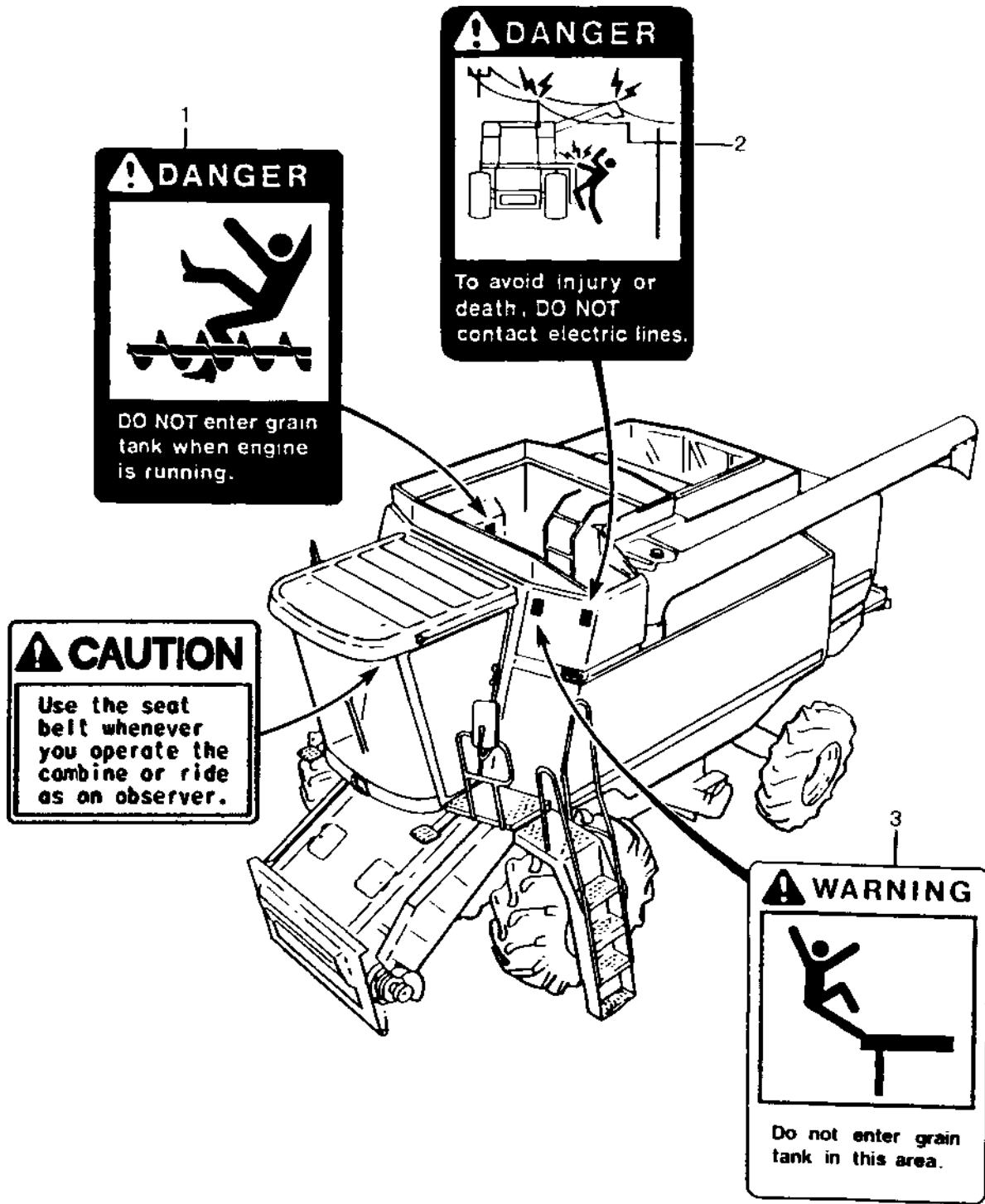
5E10

DECALS, BELTS AND CHAINS

SAFETY DECALS AND LOCATIONS - CONTINUED

KEY	PART NO.	PART NAME	QTY	SERIAL NO.	REMARKS
1	H149088	DECAL	1		FAN AND ROTARY SCREEN
2	H169344	DECAL	1		(SUB FOR A2913R) PRESSURE COOLING SYSTEM
3	H149062	DECAL	2		GRAIN TANK
4	H149037	DECAL	1		VARIABLE CYLINDER DRIVE
5	H149096	LABEL	2		PROJECTILE

SAFETY DECALS AND LOCATIONS
HP6221 -UN-04JAN96



HP6221

5E12

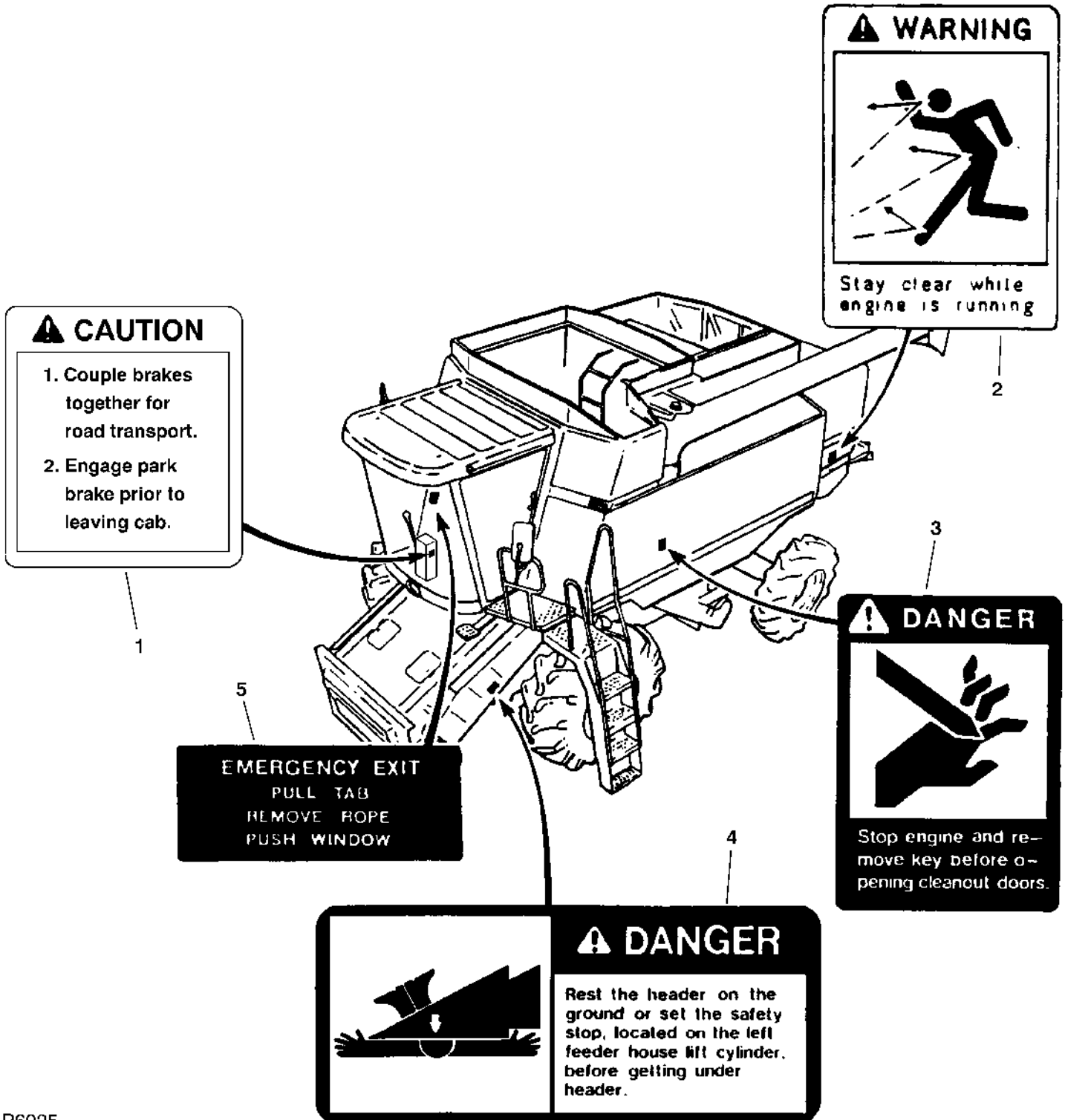
DECALS, BELTS AND CHAINS

SAFETY DECALS AND LOCATIONS - CONTINUED

KEY	PART NO.	PART NAME	QTY	SERIAL NO.	REMARKS
1	H149062	DECAL	1		GRAIN TANK
2	H149090	LABEL	1		POWERLINE
3	H149065	LABEL	2		FRONT ENTRY
4	H155510	SIGN	1		SEATBELT

5E13

SAFETY DECALS AND LOCATIONS
HP6925 -UN-27OCT97



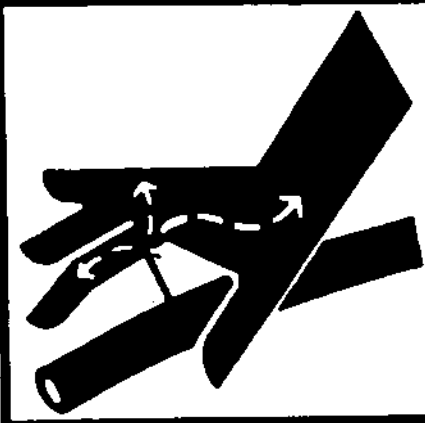
HP6925

5E14

DECALS, BELTS AND CHAINS

SAFETY DECALS AND LOCATIONS - CONTINUED

KEY	PART NO.	PART NAME	QTY	SERIAL NO.	REMARKS
1	H156390	LABEL	1		
2	H149096	LABEL	1		PROJECTILE
3	H149066	LABEL	1		AUGER
4	H149063	LABEL	1		HEADER
5	H134535	LABEL	1		EXIT



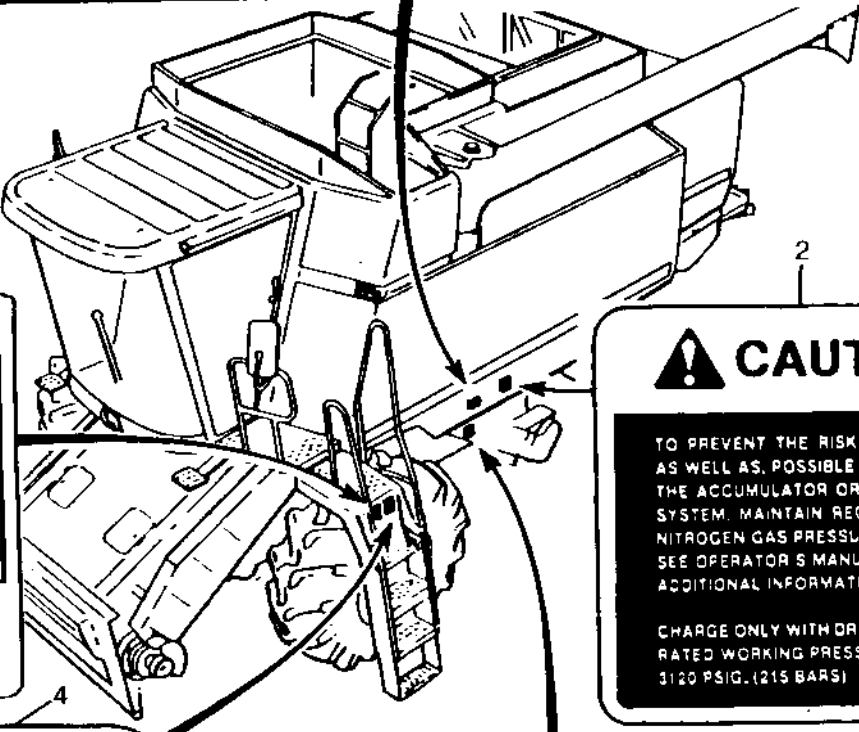
⚠ WARNING

Avoid bodily injuries from hydraulic oil and gas under pressure.

Before removing or charging accumulator


1. With feederhouse or header on the ground or in a supported position, open hand valve.
2. Start engine and hold header height control to lower position for 5 seconds to relieve system hydraulic pressure.
3. Stop engine.

Use only DRY NITROGEN for recharging accumulator.
See your John Deere dealer.



5

⚠ WARNING



Do not ride ladder while combine is moving.

2

⚠ CAUTION

TO PREVENT THE RISK OF INJURY, AS WELL AS POSSIBLE DAMAGE TO THE ACCUMULATOR OR HYDRAULIC SYSTEM, MAINTAIN RECOMMENDED NITROGEN GAS PRESSURE. SEE OPERATOR'S MANUAL FOR ADDITIONAL INFORMATION.

CHARGE ONLY WITH DRY NITROGEN. RATED WORKING PRESSURE IS 3120 PSIG. (215 BARS)


4

⚠ CAUTION

1. Keep all shields in place.
2. Disengage and shut off all engine and/or motor power before servicing or unclagging machine.
3. Keep hands, feet, and clothing away from power driven parts.

3

⚠ WARNING



Never raise shield with the engine running. Stop engine and remove key.

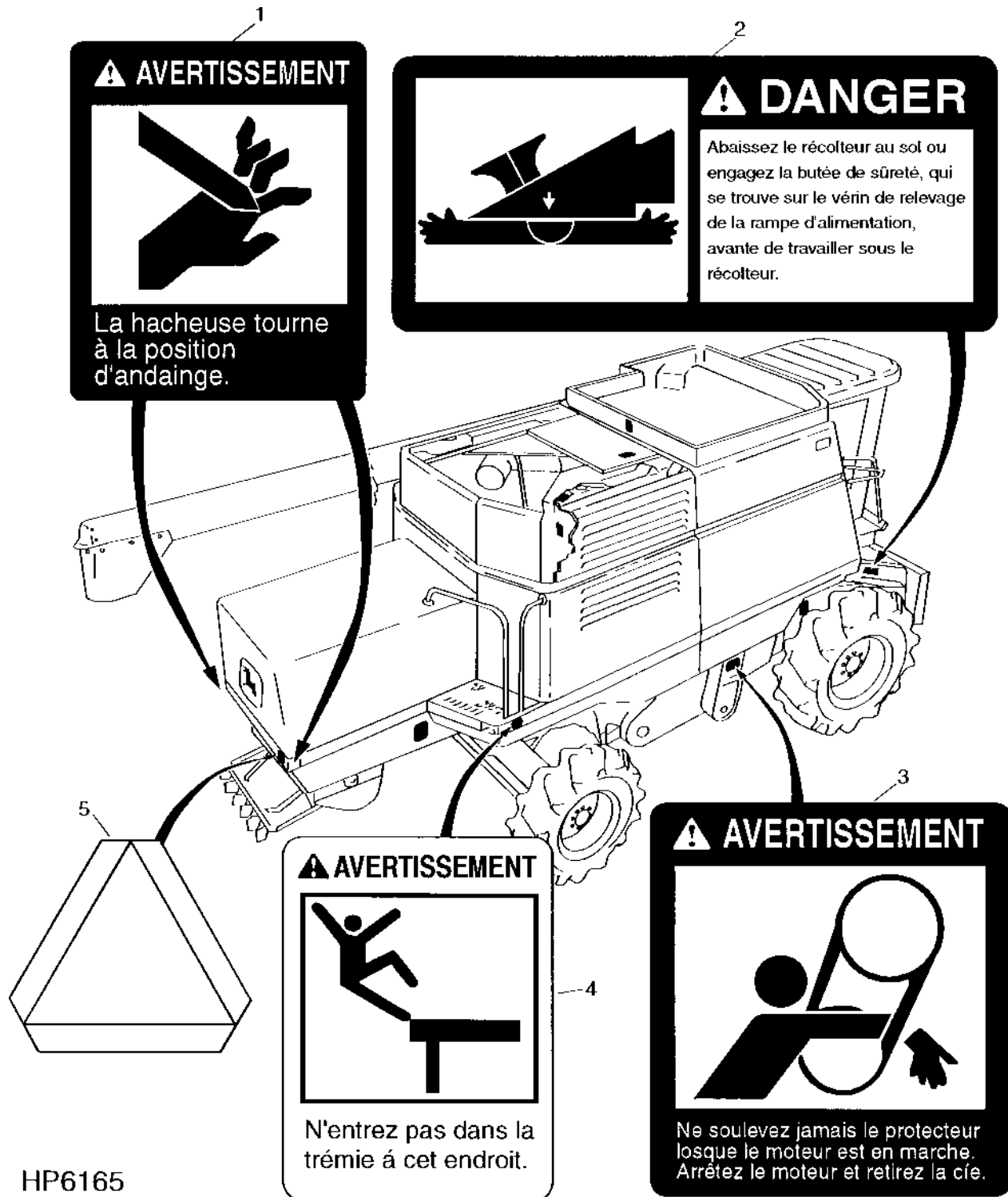
HP6163

5E16

DECALS, BELTS AND CHAINS

SAFETY DECALS AND LOCATIONS - CONTINUED

KEY	PART NO.	PART NAME	QTY	SERIAL NO.	REMARKS
1	H149067	LABEL	1		ACCUMULATOR
2	H149092	LABEL	1		ACCUMULATOR
3	H149099	DECAL	1		CLEAN GRAIN ELEVATOR
4	E82510	LABEL	1		SEPARATOR
5	H149064	LABEL	1		LADDER

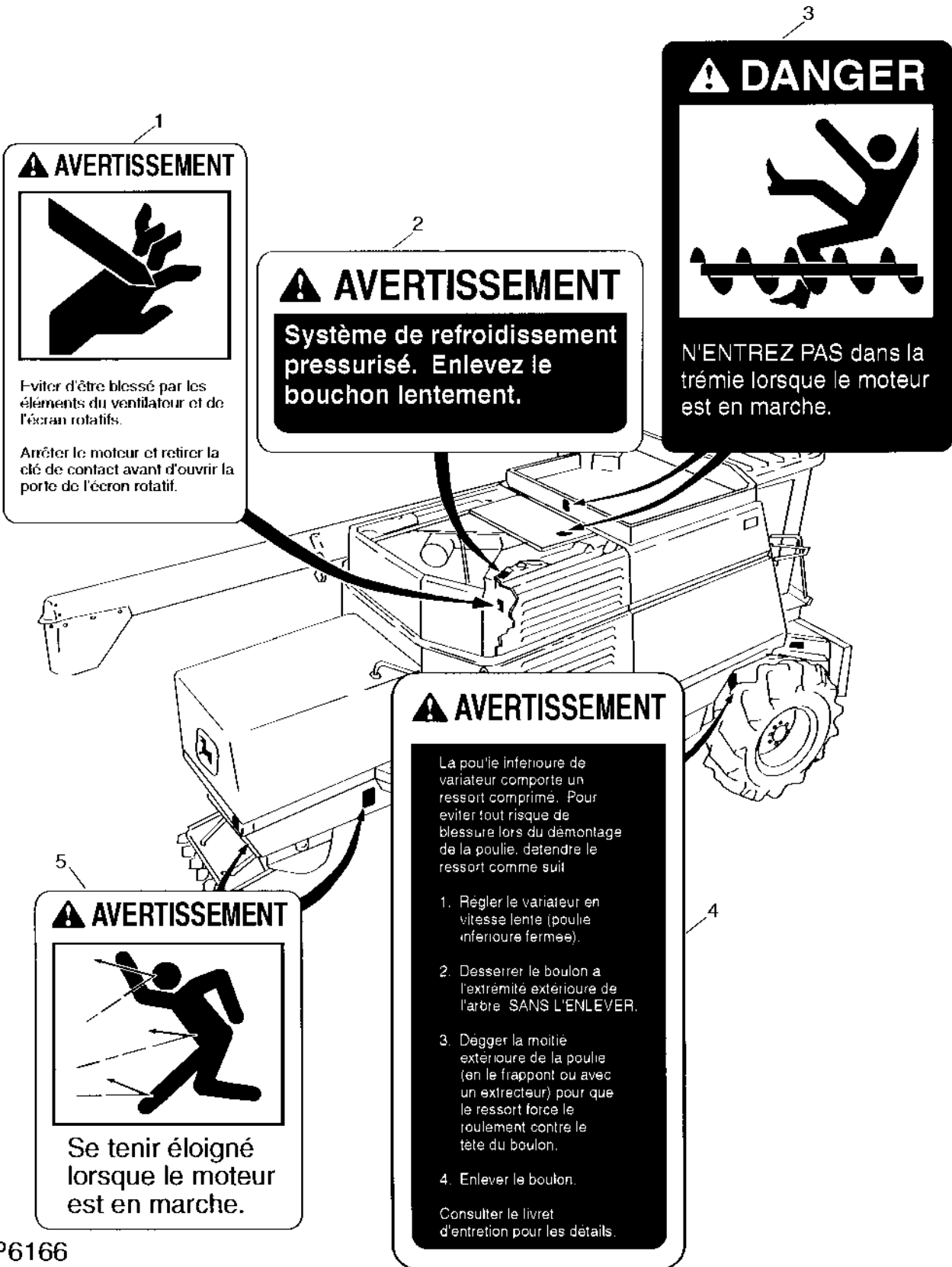


5E18

DECALS, BELTS AND CHAINS

SAFETY DECALS AND LOCATIONS - FRENCH - CONTINUED

KEY	PART NO.	PART NAME	QTY	SERIAL NO.	REMARKS
1	H149103	DECAL	2		CHOPPER
2	H149077	DECAL	1		HEADER
3	H149100	LABEL	1		CLEAN GRAIN ELEVATOR
4	H149074	LABEL	1		LADDER
5	JD5400	SMV EMBLEM	1		SMV
..	AH135254	LABEL KIT	1		



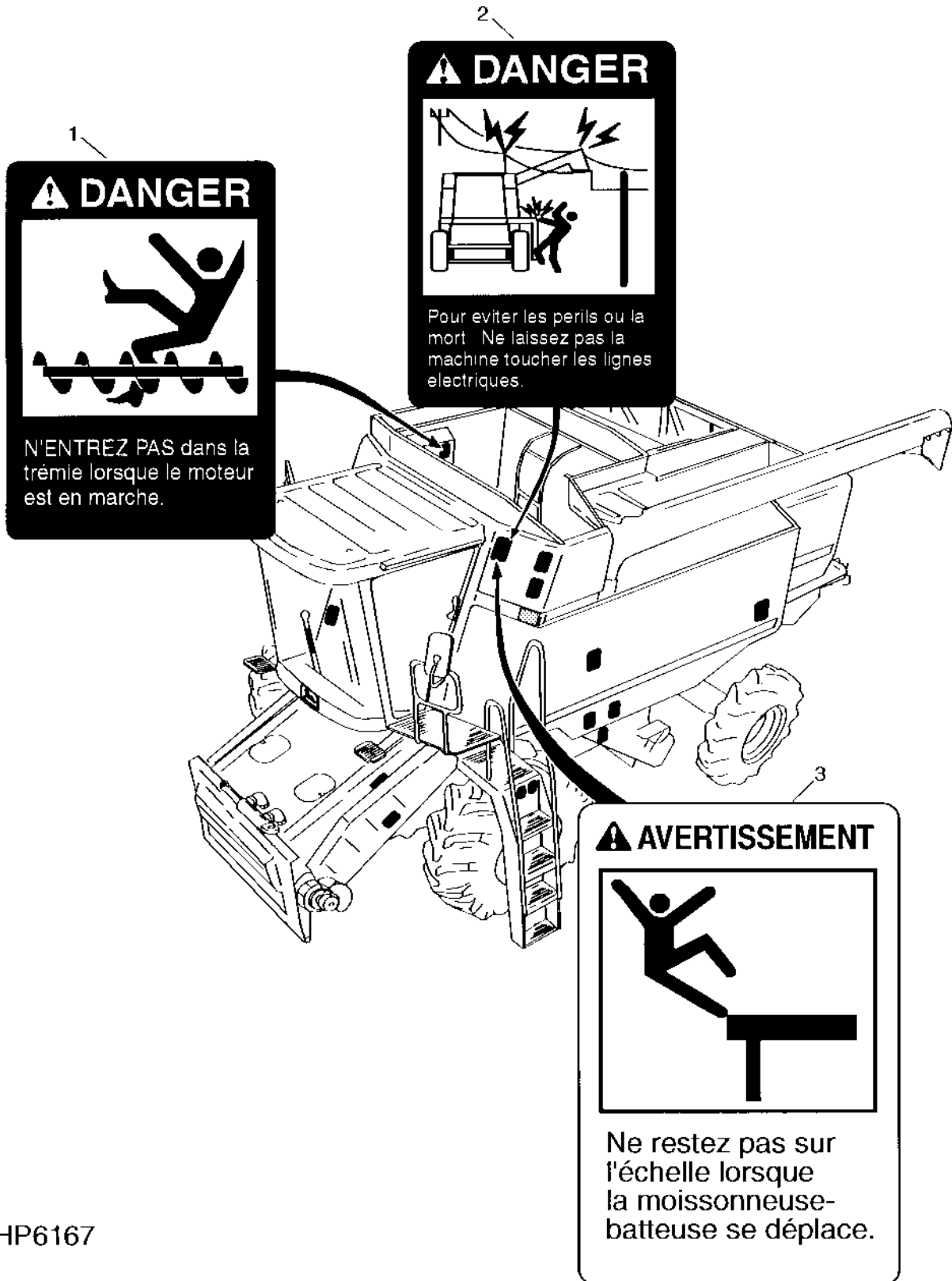
HP6166

5E20

DECALS, BELTS AND CHAINS

SAFETY DECALS AND LOCATIONS - FRENCH - CONTINUED

KEY	PART NO.	PART NAME	QTY	SERIAL NO.	REMARKS
1	H149089	SIGN	1		FAN AND ROTARY SCREEN
2	H170105	LABEL	1		(SUB FOR H149046) PRESSURE COOLING SYSTEM
3	H149076	DECAL	2		GRAIN TANK
4	H149040	DECAL	1		VARIABLE CYLINDER DRIVE
5	H149097	LABEL	2		PROJECTILE
..	AH135254	LABEL KIT	1		



HP6167

5E22

DECALS, BELTS AND CHAINS

SAFETY DECALS AND LOCATIONS - FRENCH - CONTINUED

KEY	PART NO.	PART NAME	QTY	SERIAL NO.	REMARKS
1	H149076	DECAL	1		GRAIN TANK
2	H149091	LABEL	1		POWERLINE
3	H149075	LABEL	2		FRONT ENTRY
..	AH135254	LABEL KIT	1		

5E23

DECALS, BELTS AND CHAINS

SAFETY DECALS AND LOCATIONS - FRENCH
HP6168 -28-20SEP95



HP6168

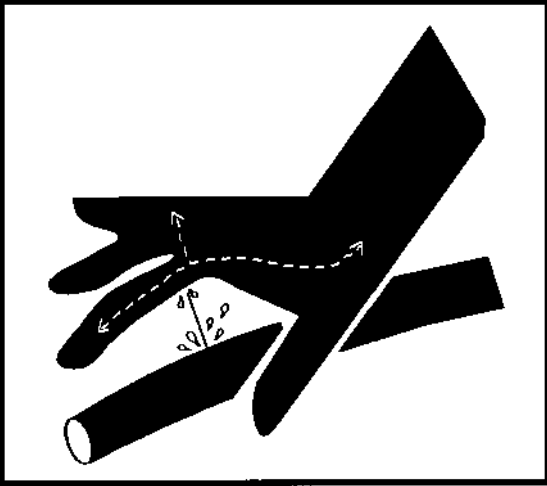
5E24

DECALS, BELTS AND CHAINS

SAFETY DECALS AND LOCATIONS - FRENCH - CONTINUED

KEY	PART NO.	PART NAME	QTY	SERIAL NO.	REMARKS
1	H173824	LABEL	1		(SUB FOR H149080) BRAKE
2	H149097	LABEL	1		PROJECTILE
3	H149078	LABEL	1		AUGER
4	H149077	DECAL	1		HEADER
5	H134620	LABEL	1		EXIT
..	AH135254	LABEL KIT	1		

1

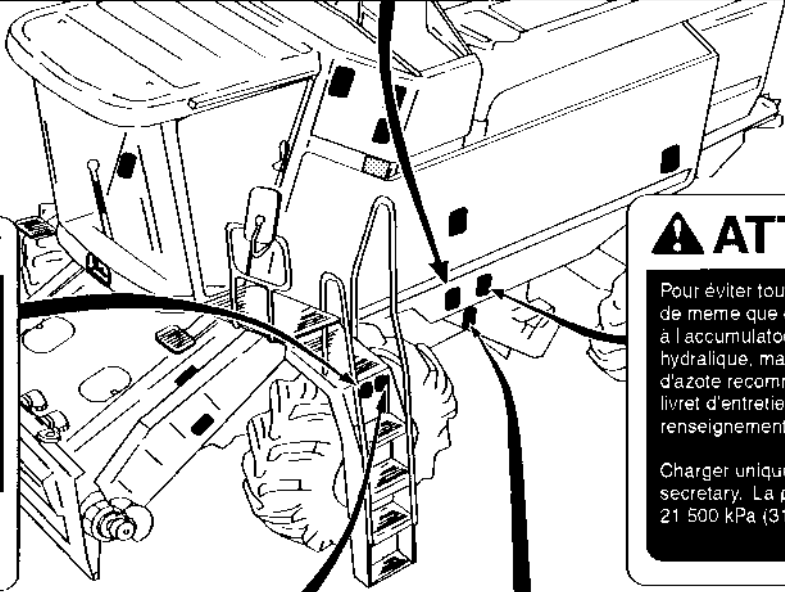


⚠ AVERTISSEMENT

Éviter les blessures corporelles provenant de l'huile hydraulique et du carburant sous pression. Avant d'enlever, de démonter ou de charger l'accumulateur:


1. Avec le rampe d'alimentation ou le récolteur ou sel ou on position soutenue, ouvrir le souepe manuelle.
2. Faire émettre le moteur et tenir le commande de houtour du racolteur e le position inferioure pendant 5 secondes pour reduire le pression hydraulique du systeme.
3. Arrêter le moteur.

Utiliser uniquement de L'AZOTE secretary pour recharger l'accumulateur. Consulter le concessionnaire John Deere.



5

⚠ AVERTISSEMENT



N'entrez pas dans la trémie à cet endroit.

2

⚠ ATTENTION

Pour éviter tout de blessures de meme que des dammages possibles à l'accumulateur ou au système hydraulique, maintenir la pression d'azote recommandée. Consulter le livret d'entretien pour des renseignements supplémentaires.

Charger uniquement avec de l'azote secretary. La pression nominale est de 21 500 kPa (3120 psi)

4

⚠ ATTENTION

1. Laissez tous les protecteurs en place.
2. Debrayez et arrêtez le moteur ou l'entraînement avant de protéder à toute opération d'entretien sur la machine.
3. Tenez vos vêtements à l'écart des pieces mobiles.

3

⚠ AVERTISSEMENT



Ne soulevez jamais le protecteur lorsque le moteur est en marche. Arrêtez le moteur et retirez la clé.

HP6169

5F2

DECALS, BELTS AND CHAINS

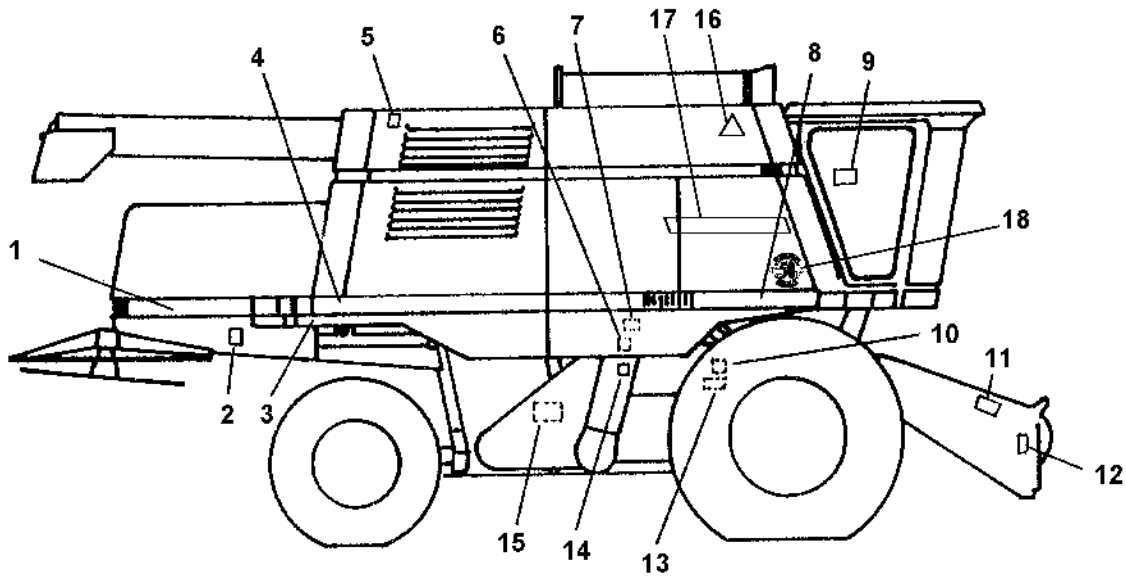
SAFETY DECALS AND LOCATIONS - FRENCH - CONTINUED

KEY	PART NO.	PART NAME	QTY	SERIAL NO.	REMARKS
1	H149079	LABEL	1		ACCUMULATOR
2	H149098	LABEL	1		ACCUMULATOR
3	H149100	LABEL	1		CLEAN GRAIN ELEVATOR
4	E82575	LABEL	1		SEPARATOR
5	H149074	LABEL	1		LADDER
..	AH135254	LABEL KIT	1		

5F3

DECALS, BELTS AND CHAINS

RIGHT-HAND DECALS
HP7630 -UN-17SEP98



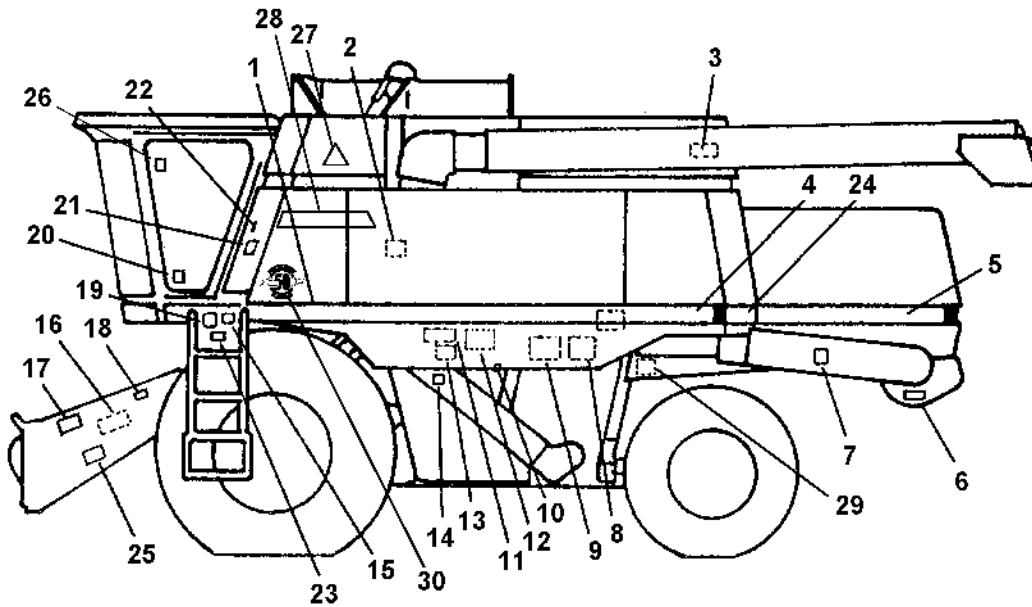
HP7630

KEY	PART NO.	PART NAME	QTY	SERIAL NO.	REMARKS
1	H162071	LABEL	1		CENTERED ON R.H. SIDE OF REAR HOOD
2	H149096	LABEL	1		"PROJECTILE WARNING" ON R.H. REAR HOOD
	H149097	LABEL	1		(FRENCH) "PROJECTILE WARNING" ON R.H. REAR HOOD
3	H149064	LABEL	1		"LADDER WARNING" ON INSIDE OF R.H. ENGINE ACCESS DOOR
	H149075	LABEL	1		(FRENCH) "WARNING" ON INSIDE R.H. ENGINE ACCESS DOOR
4	H162061	LABEL	1		"JOHN DEERE" ON SERVICE ACCESS SHIELD
5	H144692	LABEL	1		
6	H139392	LABEL	1		
7	H139393	LABEL	1		
8	H162068	LABEL	1		"9410" ON SERVICE ACCESS SHIELD
9	H134535	LABEL	1		
	H134620	LABEL	1		
10	H149037	DECAL	1		"WARNING" ON FRONT HALF OF CLEAN GRAIN ELEVATOR
	H149040	DECAL	1		FRENCH "WARNING" ON FRONT HALF OF CLEAN GRAIN ELEVATOR
11	H149063	LABEL	4		"HEADER DANGER" ON FEEDERHOUSE AND SHIELD
	H149077	DECAL	4		(FRENCH) "HEADER DANGER" ON FEEDERHOUSE AND SHIELD
12	H123351	LABEL	2		(DUAL RANGE) ON R. H. FRONT WALKER COVER
	H129094	LABEL	2		(FRENCH) (DUAL RANGE) ON R.H. FRONT WALKER COVER
13	H114270	DECAL	1		"TIRE PRESSURE" ON VALVE STEM SIDE OF WHEEL - 165 KPA
	H114320	DECAL	1		(FRENCH) "TIRE PRESSURE" ON VALVE STEM SIDE OF WHEEL - 165 KPA
14	H149099	DECAL	2		"WARNING" ON FRONT HALF OF GRAIN ELEVATOR
	H149100	LABEL	2		(FRENCH) "WARNING" ON FRONT HALF OF CLEAN GRAIN ELEVATOR
15	H154999	LABEL	2		R.H. "LUBE CHART"
16	H163216	LABEL	1		COMBINES WITH GREENSTAR
17	H162084	LABEL	1		R.H. MAXIMIZER
18	H159712	SERIAL NUMBER PLATE	1		50TH ANNIVERSARY
..	AH135254	LABEL KIT	1		

MEMORANDA

5F4

LEFT-HAND DECALS
HP7629 -UN-17SEP98



HP7629

5F5

DECALS, BELTS AND CHAINS

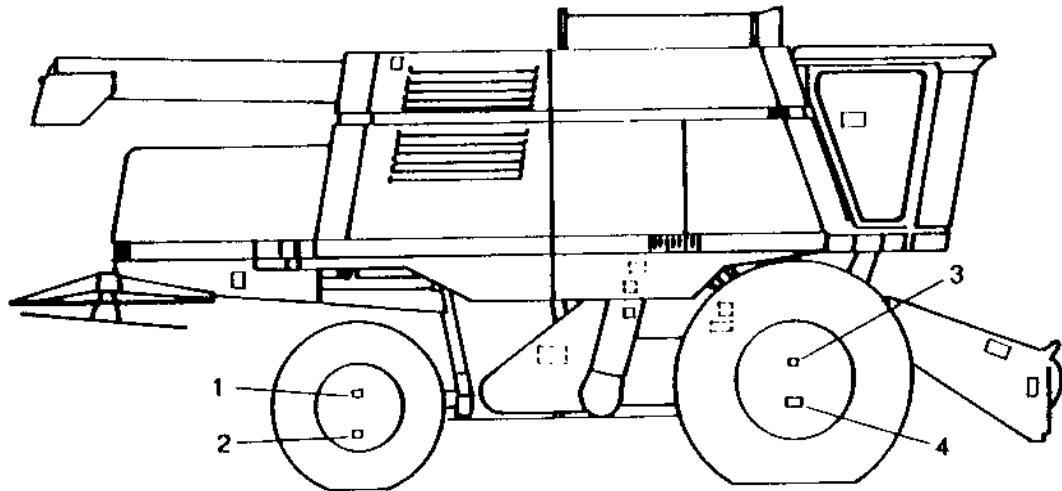
LEFT-HAND DECALS - CONTINUED

KEY	PART NO.	PART NAME	QTY	SERIAL NO.	REMARKS
1	H162069	LABEL	1		"9410" ON SERVICE ACCESS SHIELD
2	H149066	LABEL	1		"AUGER WARNING" ON UNLOADING ARM
	H149077	DECAL	1		(FRENCH) "AUGER WARNING" ON UNLOADING ARM
3	H110923	LABEL	1		HYDRAULIC RESERVOIR LABEL ON R.H. SIDE OF HYDRAULIC RESERVOIR
	H127078	LABEL	1		(FRENCH) HYDRAULIC RESERVOIR LABEL ON R.H. SIDE OF HYDRAULIC RESERVOIR
4	H162061	LABEL	1		"STYLING PANEL" CENTER ON LH REAR PANEL
5	H162070	LABEL	1		"STYLING DECAL" CENTERED ON L.H. SIDE OF REAR HOOD
6	H165247	LABEL	2		CHOPPER POSITION - ON EACH SIDE
	H145858	LABEL	1		"WARNING" CHOPPER POSITION (FRENCH)
7	H149096	LABEL	1		"PROJECTILE WARNING" ON R.H. REAR HOOD
	H149097	LABEL	1		(FRENCH) "PROJECTILE WARNING" ON R.H. REAR HOOD
8	H128315	LABEL	1		"DIAGNOSTIC PORTS" ON INSIDE OF LOWER REAR CORNER OF SERVICE ACCESS SHIELD
	H129099	LABEL	1		(FRENCH) "DIAGNOSTIC PORTS" ON INSIDE OF LOWER REAR CORNER OF SERVICE ACCESS SHIELD
9	H150763	LABEL	1		
	H135131	LABEL	1		(FRENCH) "EH VALVE STACK" ON INSIDE OF LOWER REAR CORNER OF SERVICE ACCESS SHIELD
10	H80796	DECAL	1		"VARIABLE SPEED FAN HANDWHEEL" ON VARIABLE SPEED FAN WHEEL
11	H132811	LABEL	1		"ACCUMULATOR DECAL" ON L.H. SIDE SHEET
	H135132	LABEL	1		(FRENCH) "ACCUMULATOR DECAL" ON L.H. SIDE SHEET
12	H149092	LABEL	2		"CAUTION" ON ACCUMULATOR
	H149098	LABEL	2		(FRENCH) "CAUTION" ON ACCUMULATOR
13	H149078	LABEL	1		(FRENCH) "WARNING" ON MID SILL
14	H149099	DECAL	1		"WARNING" ON FRONT HALF OF GRAIN ELEVATOR
	H149100	LABEL	1		(FRENCH) "WARNING" ON FRONT OF TAILINGS ELEVATOR
15	H165246	LABEL	1		"TIRE LOADING LABEL" ON CAB LADDER
	H173336	LABEL	1		(SUB FOR H127325 OR H127327) (FRENCH) "TIRE LOADING"
16	H135405	LABEL	1		"FEEDER HOUSE CHAIN LABEL" ON L.H. SIDE OF FEEDER HOUSE (NO LONGER AVAILABLE)
	H160701	LABEL	1		"FEEDER HOUSE CHAIN ADJUSTMENT"
17	H137939	LABEL	1		"HARNES AND HOSE STORAGE" ON L.H. DRIVE SHIELD
	H137940	LABEL	1		(FRENCH) "HARNES AND HOSE STORAGE" ON L.H. DRIVE SHIELD
18	H126397	LABEL	1		"VARIABLE SPEED DRIVE" ON SIDE OF FEEDER HOUSE SHIELD
19	H149064	LABEL	1		"LADDER WARNING" ON INSIDE R.H. ENGINE ACCESS DOOR
	H149075	LABEL	1		(FRENCH) "LADDER WARNING" ON CAB LADDER
20	H173824	LABEL	1		(SUB FOR H149080) (FRENCH) "BRAKE" ON GEARSHIFT
	H140768	LABEL	1		"BRAKE" FRENCH
21	H135167	LABEL	1		(FRENCH) ON FILTER DOOR ABOVE ENGLISH DIRECTION
22	H136583	LABEL	1		(FRENCH) ON INSIDE WALL OF FILTER TRAY, BEHIND CAB SEAT
23	E82510	LABEL	1		"CAUTION" ON CAB LADDER
	E82575	LABEL	1		
	E82575	LABEL	1		(FRENCH) "CAUTION" ON CAB LADDER
24	H162064	LABEL	1		"JOHN DEERE" ON L.H. SERVICE ACCESS SHIELD
25	H149063	LABEL	1		"HEADER DANGER" ON FEEDERHOUSE AND SHIELD
26	H160459	LABEL	1	-XXXXXX	"ROAD CORROSION"
27	H163216	LABEL	1		COMBINES WITH GREENSTAR
28	H163215	LABEL	1		L.H. MAXIMIZER
29	H163382	INSTRUCTION PLATE	1		(SUB H169764) SHOE SETTING
	H169764	DECAL	1		
30	H159712	SERIAL NUMBER PLATE	1		50TH ANNIVERSARY
..	AH135254	LABEL KIT	1		

5F6

DECALS, BELTS AND CHAINS

FRONT AND REAR WHEEL DECALS
HP6111 -UN-26JUN95



HP6111↓

5F7

DECALS, BELTS AND CHAINS

FRONT AND REAR WHEEL DECALS - CONTINUED

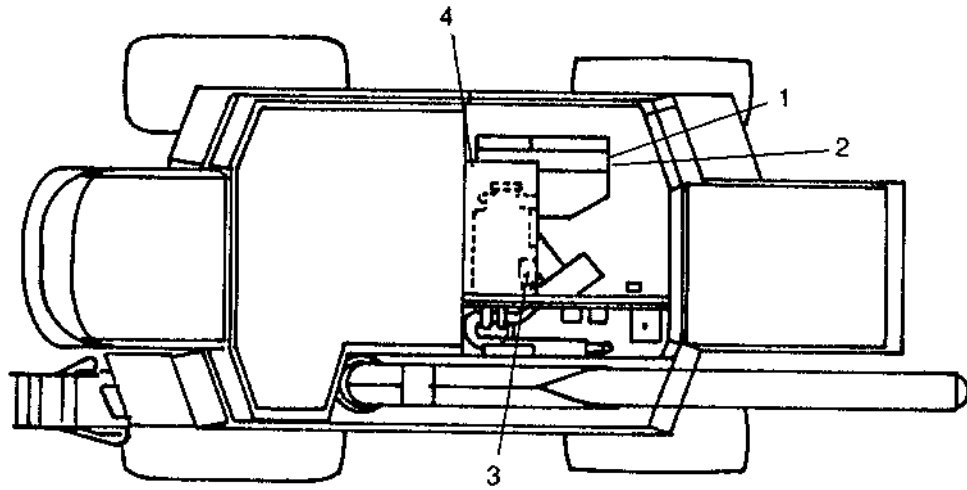
KEY	PART NO.	PART NAME	QTY	SERIAL NO.	REMARKS
1	H145995	LABEL	2		"IMPORTANT" WHEEL BOLT TORQUE 205 NM (150 LB-FT), REAR WHEELS
	H150646	DECAL	2		"IMPORTANT" 15 PSI (103 KPA) (28L X 26-10 OR 12 PLY TIRE)
	H174266	LABEL	2		(SUB FOR H151575) "IMPORTANT" ON AXLE STOP (28L X 26-10 OR 12 PLY TIRE)
	H145996	LABEL	2		(FRENCH) "IMPORTANT" WHEEL BOLT TORQUE 205 NM(150 LB-FT), REAR WHEELS
2	H111541	LABEL	2		"IMPORTANT" TIRE PRESSURE - 40 PSI (275 KPA) ON WHEEL NEAR VALVE STEM
	H127073	LABEL	2		(FRENCH) "IMPORTANT" TIRE PRESSURE - 40 PSI (275 KPA) ON WHEEL NEAR VALVE STEM
	H140709	LABEL	2		"IMPORTANT" TIRE PRESSURE - 26 PSI (180 KPA) ON WHEEL NEAR VALVE STEM
	H140749	LABEL	2		(FRENCH) "IMPORTANT" TIRE PRESSURE - 26 PSI (180 KPA) ON WHEEL NEAR VALVE STEM
	H108604	LABEL	2		"IMPORTANT" TIRE PRESSURE - 20 PSI (140 KPA) ON WHEEL NEAR VALVE STEM
	H127067	LABEL	2		(FRENCH) "IMPORTANT" TIRE PRESSURE - 20 PSI (140 KPA) ON WHEEL NEAR VALVE STEM
	H127070	LABEL	2		(FRENCH) "IMPORTANT" TIRE PRESSURE - 30 PSI (205 KPA) ON WHEEL NEAR VALVE STEM
					"WHEEL BOLT TORQUE" ON WHEEL NEAR RING
3	H134442	LABEL	2		(FRENCH) "WHEEL BOLT TORQUE" ON WHEEL NEAR RING
	H135141	LABEL	2		
4	H139603	LABEL	2		"WHEEL BOLT TORQUE" ON WHEEL NEAR RING
	H127068	LABEL	2		(FRENCH) "TIRE PRESSURE" 24 PSI (165 KPA) ON WHEEL NEAR VALVE STEM
	H140711	LABEL	2		"TIRE PRESSURE" 36 PSI (250 KPA) ON WHEEL NEAR VALVE STEM
	H140751	LABEL	2		(FRENCH) "TIRE PRESSURE" 36 PSI (250 KPA) ON WHEEL NEAR VALVE STEM
	H116640	LABEL	2		"TIRE PRESSURE" 32 PSI (220 KPA) ON WHEEL NEAR VALVE STEM
	H127075	LABEL	2		(FRENCH) "TIRE PRESSURE" 32 PSI (220 KPA) ON WHEEL NEAR VALVE STEM
	H108604	LABEL	2		"TIRE PRESSURE" 20 PSI (140 KPA) ON WHEEL NEAR VALVE STEM
	H127067	LABEL	2		(FRENCH) "TIRE PRESSURE" 20 PSI (140 KPA) ON WHEEL NEAR VALVE STEM
	H140709	LABEL	2		"TIRE PRESSURE" 26 PSI (180 KPA) ON WHEEL NEAR VALVE STEM
	H140749	LABEL	2		(FRENCH) "TIRE PRESSURE" 26 PSI (180 KPA) ON WHEEL NEAR VALVE STEM
	..	AH135254	LABEL KIT	1	

5F8

DECALS, BELTS AND CHAINS

TOP DECALS

HP8285 -UN-25FEB99



HP8285

KEY	PART NO.	PART NAME	QTY	SERIAL NO.	REMARKS
1	H137201	DECAL	1		ON REAR SHEET OF RADIATOR MOUNTING FRAME
	H137364	DECAL	1		(FRENCH) ON REAR SHEET OF RADIATOR MOUNTING FRAME
2	H149089	SIGN	1		(FRENCH) ON REAR SHEET OF RADIATOR MOUNTING FRAME
	H149088	DECAL	1		"WARNING" FAN & ROTARY SCREEN
3	H86896	DECAL	1		ON ENGINE STARTING AID UNIT TO REAR OF OF MACHINE
	H95273	DECAL	1		(FRENCH) ON ENGINE STARTING AID UNIT TO REAR OF MACHINE
4	H149062	DECAL	1		"WARNING" ON REAR GRAIN TANK EXTENSION
	H149076	DECAL	1		(FRENCH) "DANGER" ON REAR GRAIN TANK EXTENSION

1K15

9410 MAXIMIZER™ COMBINE

NUMERICAL INDEX

PART NO.	GRID	KEY	PAGE	PART NO.	GRID	KEY	PAGE	PART NO.	GRID	KEY	PAGE
AA27536	1F17	10	40-7	AH108080	2G10	2	70-3	AH117067	3F12	1	90-57
AA27536	2F2	23	60-19	AH108161	3G17	17	110-3	AH117265	4H21	1	125-3
AA27536	3E10	10	90-31	AH108299	3D19	11	90-15	AH117277	5B6	28	130-3
AA27536	3F19	23	90-65	AH108299	5C6	29	130-29	AH117301	1H22	18	40-57
AA5607R	1B9	15	20-7	AH108380	1F15	24	40-5	AH117301	4E24	20	121-9
AA5607R	4F24	12	121-33	AH108380	1F17	15	40-7	AH117418	2D24	15	50-73
AA5607R	4G6	14	121-39	AH108380	2G10	10	70-3	AH117566	2F13	5	60-30
AA5607R	4G14	10	121-47	AH108380	3E10	15	90-31	AH117643	4E20	6	121-5
AA5607R	4G22	3	121-55	AH108801	4F18	5	121-27	AH117662	2G4	4	60-47
AA5607R	4H2	17	121-59	AH108813	4F24	5	121-33	AH117782	1B15	3	20-14
AA5607R	4H4	33	121-61	AH108816	2F2	2	60-19	AH118337	2D14	11	50-63
AA5607R	4J12	11	125-43	AH108816	3F19	2	90-65	AH118337	2D16	10	50-65
AA5607R	5B25	12	130-23	AH10888	1B5	16	20-3	AH118337	2H18	1	70-37
AB18206	2G10	3	70-3	AH109056	4F18	43	121-27	AH118993	5D9	8	130-59
AB5070R	4F10	21	121-19	AH109120	1F25	11	40-15	AH119770	4H4	18	121-61
AC11779	4J9	10	125-40	AH109120	1F25	18	40-15	AH119770	4H12	9	121-69
AC11779	5B10	10	130-7	AH109120	1G2	25	40-17	AH120160	2I18	7	70-63
AC14974	4J9	10	125-40	AH109120	1G2	28	40-17	AH120206	4F2	..	121-11
AC14974	5B10	10	130-7	AH109788	1B7	9	20-5	AH120216	3B20	8	80-17
AD2062R	1H22	1	40-57	AH11015	4I12	6	125-19	AH120419	3E7	4	90-28
AE23516	3I18	4	110-55	AH110674	3E22	2	90-43	AH120444	1F17	11	40-7
AE23516	3I22	5	110-59	AH110887	4F18	31	121-27	AH120444	3E10	11	90-31
AE23791	3E14	18	90-35	AH111704	1F25	13	40-15	AH120445	1F17	13	40-7
AE23791	3G21	18	110-7	AH111705	1G2	21	40-17	AH120445	3E10	13	90-31
AE26118	4D4	3	120-49	AH111705	1G2	23	40-17	AH120446	3E7	5	90-28
AE27909	3I2	5	110-39	AH111970	4G8	26	121-41	AH120502	4B8	1	120-5
AE30624	4H4	26	121-61	AH111971	4G10	4	121-43	AH120541	3D21	6	90-17
AE38021	2I2	37	70-45	AH112169	1G2	19	40-17	AH120546	3F23	10	90-69
AE38448	4G2	21	121-35	AH112189	1I9	8	40-69	AH120547	3F23	19	90-69
AE38734	2I2	16	70-45	AH112284	2F17	5	60-34	AH120570	1F17	5	40-7
AE41319	2H23	11	70-42	AH112285	2F17	5	60-34	AH120570	3E10	5	90-31
AE42998	5B23	6	130-21	AH112402	2C1	2	50-24	AH120736	2B25	7	50-23
AE44392	1H2	15	40-37	AH112435	5D2	3	130-51	AH120737	4E22	32	121-7
AE44392	1H2	23	40-37	AH112883	4F18	16	121-27	AH120815	1B9	5	20-7
AE44392	1H4	15	40-39	AH113139	4F22	11	121-31	AH120872	2F12	16	60-29
AE44392	1H8	13	40-43	AH113292	1H19	1	40-54	AH120876	2F12	17	60-29
AE44927	1G20	8	40-33B	AH113301	3E24	13	90-45	AH120887	3D13	1	90-9
AE44929	1J6	13	40-91	AH114109	1E16	17	30-3	AH120890	3D13	7	90-9
AE44930	1G18	6	40-33	AH114359	4E10	14	120-79	AH120891	3D13	5	90-9
AE44930	1G18	10	40-33	AH114882	4C12	4	120-33	AH120907	4G2	10	121-35
AE44930	1G18	11	40-33	AH115281	2B7	1	50-3	AH121007	4F24	27	121-33
AE44930	1H22	20	40-57	AH115487	2B7	15	50-3	AH121007	4J23	3	125-55
AE44931	1G18	8	40-33	AH115639	1B5	29	20-3	AH121009	4B16	10	120-13
AE44931	1J6	12	40-91	AH115797	1F15	5	40-5	AH121009	4C2	9	120-23
AE49773	3I22	1	110-59	AH115833	3E7	1	90-28	AH121009	4C16	21	120-37
AE50995	2I2	35	70-45	AH115836	3F23	8	90-69	AH121009	4F14	10	121-23
AE50995	2I5	24	70-49	AH115943	1I13	1	40-73	AH121009	4J23	5	125-55
AF1466R	4F18	46	121-27	AH116006	2I18	9	70-63	AH121009	4J25	1	125-57
AH101202	2F13	..	60-30	AH116104	1G22	16	40-35	AH121009	4J25	5	125-57
AH101202	2F14	11	60-31	AH116104	1G24	16	40-35B	AH121046	4J17	21	125-49
AH104259	1F25	2	40-15	AH116104	1H8	5	40-43	AH121047	4J4	31	125-35
AH104783	4G6	19	121-39	AH116104	1J12	12	40-97	AH121190	1F25	8	40-15
AH104783	4G12	12	121-45	AH116104	2B23	25	50-21	AH121216	4E20	..	121-5
AH105040	3G19	23	110-5	AH116104	4H16	17	121-73	AH121216	4F2	..	121-11
AH106010	3D17	1	90-13	AH116105	1H16	21	40-51	AH121340	2F2	29	60-19
AH106010	3D17	2	90-13	AH116105	1H18	22	40-53	AH121340	3F19	29	90-65
AH106096	5D9	18	130-59	AH116105	2H23	7	70-42	AH121475	1H22	9	40-57
AH106110	4G2	7	121-35	AH116105	2J6	9	70-75	AH121475	1H24	3	40-59
AH106296	4G2	21	121-35	AH116110	1G6	5	40-21	AH121580	2B19	18	50-17
AH106606	5D4	11	130-53	AH116123	1E16	3	30-3	AH121605	2H6	4	70-25
AH106612	1F23	7	40-13	AH116232	3H17	16	110-29	AH121643	2G17	6	70-10
AH106612	1F25	12	40-15	AH116313	3E22	1	90-43	AH121658	4F10	13	121-19
AH106612	1I13	5	40-73	AH116390	5D10	3	130-60	AH121922	2B24	1	50-22
AH106612	1J6	5	40-91	AH116632	2H2	18	70-21	AH121923	2B24	1	50-22
AH106618	3G19	2	110-5	AH116902	1F23	4	40-13	AH121997	4C18	1	120-39
AH106933	2B9	17	50-5	AH116902	2F2	40	60-19	AH122018	4F4	9	121-13
AH106982	1E16	20	30-3	AH116902	3F19	40	90-65	AH122099	3E4	3	90-25

NUMERICAL INDEX - CONTINUED

PART NO.	GRID	KEY	PAGE	PART NO.	GRID	KEY	PAGE	PART NO.	GRID	KEY	PAGE
AH122100	2G4	4	60 - 47	AH125243	4F8	..	121 - 17	AH126169	2D21	7	50 - 70
AH122244	3B16	10	80 - 13	AH125293	4E22	..	121 - 7	AH126169	4I18	3	125 - 25
AH122444	3F23	13	90 - 69	AH125295	4F2	..	121 - 11	AH126188	4G12	24	121 - 45
AH122451	4F24	14	121 - 33	AH125306	3C8	1	80 - 29	AH126191	4C22	1	120 - 43
AH122495	3G23	10	110 - 9	AH125306	5C6	30	130 - 29	AH126214	4D6	3	120 - 51
AH122506	5B6	26	130 - 3	AH125454	3I16	3	110 - 53	AH126221	4H14	7	121 - 71
AH122507	5C4	8	130 - 27	AH125478	3C10	1	80 - 31	AH126239	4J4	32	125 - 35
AH122575	2B13	8	50 - 9	AH125478	5C6	18	130 - 29	AH126240	2H20	18	70 - 39
AH122648	3E22	8	90 - 43	AH125490	4E22	11	121 - 7	AH126242	2H20	21	70 - 39
AH122717	5C25	2	130 - 49	AH125505	3F23	24	90 - 69	AH126254	2E24	4	60 - 17
AH122717	5D2	7	130 - 51	AH125575	3B10	19	80 - 7	AH126265	3D17	..	90 - 13
AH122863	4G8	16	121 - 41	AH125589	2B12	1	50 - 8	AH126272	1H14	3	40 - 49
AH122863	4G12	36	121 - 45	AH125589	2B12	14	50 - 8	AH126275	5C6	35	130 - 29
AH123014	1F19	4	40 - 9	AH125627	1F15	1	40 - 5	AH126279	5C6	6	130 - 29
AH123015	1F19	4	40 - 9	AH125641	3C16	1	80 - 37	AH126281	5C16	4	130 - 39
AH123016	1F19	4	40 - 9	AH125644	3C16	17	80 - 37	AH126282	5C16	10	130 - 39
AH123017	1F19	4	40 - 9	AH125644	5C4	6	130 - 27	AH126283	5C16	6	130 - 39
AH123602	5C18	11	130 - 41	AH125654	2F21	5	60 - 39	AH126284	5C16	11	130 - 39
AH123902	1G10	2	40 - 25	AH125655	2F21	6	60 - 39	AH126295	4B14	7	120 - 11
AH123904	1G10	35	40 - 25	AH125658	2F13	22	60 - 30	AH126352	3C18	21	80 - 39
AH123905	1G10	24	40 - 25	AH125672	1H14	10	40 - 49	AH126354	5B12	4	130 - 9
AH123907	1G10	21	40 - 25	AH125673	1B9	6	20 - 7	AH126358	1F13	6	40 - 3
AH123908	1G10	17	40 - 25	AH125685	3B18	11	80 - 15	AH126388	4J4	18	125 - 35
AH123910	1G10	27	40 - 25	AH125686	3B10	5	80 - 7	AH126389	2G23	9	70 - 17
AH123911	1G10	29	40 - 25	AH125688	4F4	7	121 - 13	AH126417	3H8	30	110 - 19
AH123912	5C14	4	130 - 37	AH125692	4D6	5	120 - 51	AH126538	4G4	3	121 - 37
AH123931	1G12	3	40 - 27	AH125733	2G18	2	70 - 11	AH126541	1H24	7	40 - 59
AH124008	2D14	9	50 - 63	AH125744	1H8	2	40 - 43	AH126564	3C14	11	80 - 35
AH124008	2D16	8	50 - 65	AH125744	1H14	24	40 - 49	AH126619	5C4	14	130 - 27
AH124050	4G16	3	121 - 49	AH125760	2C11	22	50 - 35	AH126620	3C18	24	80 - 39
AH124502	5B25	19	130 - 23	AH125760	2C12	22	50 - 36	AH126657	2F6	14	60 - 23
AH124509	5C19	10	130 - 42	AH125760	2C16	22	50 - 41	AH126657	2F8	10	60 - 25
AH124573	4C12	9	120 - 33	AH125760	2G14	18	70 - 7	AH126657	2G12	6	70 - 5
AH124635	4H10	5	121 - 67	AH125760	2I7	2	70 - 51	AH126657	2G21	14	70 - 15
AH124731	2H24	3	70 - 43	AH125760	2I9	2	70 - 53	AH126657	2G25	8	70 - 19
AH124731	2I2	3	70 - 45	AH125760	2I12	21	70 - 57	AH126657	2H2	5	70 - 21
AH124731	2I4	3	70 - 47	AH125760	2J6	11	70 - 75	AH126657	2H4	13	70 - 23
AH124731	2I5	3	70 - 49	AH125760	4I14	18	125 - 21	AH126677	4J4	13	125 - 35
AH124731	2I7	18	70 - 51	AH125782	3G23	14	110 - 9	AH126719	4B16	13	120 - 13
AH124731	2I9	20	70 - 53	AH125782	3I20	25	110 - 57	AH126720	4B16	12	120 - 13
AH124828	4G6	16	121 - 39	AH125788	3B20	16	80 - 17	AH126811	1F25	5	40 - 15
AH124832	2H2	21	70 - 21	AH125793	3B24	13	80 - 21	AH126836	5D6	19	130 - 55
AH124852	5C12	2	130 - 35	AH125814	5C6	41	130 - 29	AH126836	5E5	2	170 - 4
AH124857	3F12	13	90 - 57	AH125820	3C4	9	80 - 25	AH126865	4J12	13	125 - 43
AH124878	5C12	3	130 - 35	AH125895	4J17	9	125 - 49	AH126871	4C2	..	120 - 23
AH124882	3D21	11	90 - 17	AH125910	2H10	18	70 - 29	AH126880	4C4	9	120 - 25
AH124940	2B7	6	50 - 3	AH125910	5D18	5	160 - 2	AH127275	3C10	6	80 - 31
AH125010	1G18	13	40 - 33	AH125910	5D19	18	160 - 3	AH127383	3E14	14	90 - 35
AH125010	1G20	13	40 - 33B	AH125958	2B16	16	50 - 13	AH127383	3G21	14	110 - 7
AH125010	2B16	10	50 - 13	AH125958	3E12	16	90 - 33	AH127390	3F12	8	90 - 57
AH125010	3E12	10	90 - 33	AH125969	4D22	9	120 - 67	AH127396	5B8	9	130 - 5
AH125036	1H10	9	40 - 45	AH125969	4E4	3	120 - 73	AH127465	4D10	1	120 - 55
AH125036	1H16	24	40 - 51	AH125969	4E4	12	120 - 73	AH127465	4D18	3	120 - 63
AH125070	5D6	15	130 - 55	AH125970	4D22	9	120 - 67	AH127466	4D20	1	120 - 65
AH125070	5D6	16	130 - 55	AH125970	4E4	3	120 - 73	AH127602	4H4	36	121 - 61
AH125080	5C10	21	130 - 33	AH125970	4E4	12	120 - 73	AH127604	5D10	11	130 - 60
AH125163	4E2	3	120 - 71	AH125975	4D16	14	120 - 61	AH127662	3E18	8	90 - 39
AH125193	4F12	37	121 - 21	AH125975	4D22	16	120 - 67	AH127674	3D9	2	90 - 5
AH125193	4F12	39	121 - 21	AH126007	4J14	34	125 - 45	AH127684	3G2	6	90 - 73
AH125193	4F12	40	121 - 21	AH126007	4J17	20	125 - 49	AH127685	3G2	7	90 - 73
AH125200	4E4	3	120 - 73	AH126008	4J14	33	125 - 45	AH127704	3C10	8	80 - 31
AH125201	4D22	12	120 - 67	AH126015	3B10	2	80 - 7	AH127718	1F18	2	40 - 8
AH125207	4E18	..	121 - 3	AH126016	3B10	3	80 - 7	AH127718	1H20	4	40 - 55
AH125207	4E24	3	121 - 9	AH126091	3H23	11	110 - 35	AH127718	1J14	7	40 - 99
AH125228	2B19	16	50 - 17	AH126094	4G12	35	121 - 45	AH127726	4D6	2	120 - 51
AH125233	2C1	6	50 - 24	AH126119	4C20	3	120 - 41	AH127829	4C6	13	120 - 27
AH125243	4F6	17	121 - 15	AH126122	2H16	17	70 - 35	AH127837	3B18	13	80 - 15

NUMERICAL INDEX - CONTINUED

PART NO.	GRID	KEY	PAGE	PART NO.	GRID	KEY	PAGE	PART NO.	GRID	KEY	PAGE
AH127866	5D9	45	130 - 59	AH128785	2J6	..	70 - 75	AH130370	5B12	14	130 - 9
AH127866	5E6	4	170 - 5	AH128842	2E14	22	60 - 7	AH130412	2E14	19	60 - 7
AH127871	4D10	4	120 - 55	AH128842	2E18	30	60 - 11	AH130413	2E14	20	60 - 7
AH127881	2D12	15	50 - 61	AH128843	2E14	23	60 - 7	AH130424	4C22	9	120 - 43
AH127881	2D14	12	50 - 63	AH128843	2E18	30	60 - 11	AH130425	4C22	21	120 - 43
AH127892	2H22	3	70 - 41	AH128851	2H16	8	70 - 35	AH130429	2F4	47	60 - 21
AH127963	4C2	..	120 - 23	AH128853	2H22	5	70 - 41	AH130429	3F21	47	90 - 67
AH127974	3G11	15	90 - 83	AH128854	2I16	13	70 - 61	AH130445	2E6	4	50 - 79
AH128037	5C6	9	130 - 29	AH128855	2I16	12	70 - 61	AH130447	2D20	12	50 - 69
AH128074	5D9	37	130 - 59	AH128859	2G23	22	70 - 17	AH130448	2H16	11	70 - 35
AH128075	5D9	37	130 - 59	AH128865	1J2	13	40 - 87	AH130449	2D21	3	50 - 70
AH128257	1B16	2	20 - 15	AH128894	2J11	5	70 - 81	AH130465	4B22	9	120 - 19
AH128267	2B17	9	50 - 14	AH128903	4G22	5	121 - 55	AH130477	4D6	21	120 - 51
AH128313	4D4	31	120 - 49	AH128904	1F25	9	40 - 15	AH130486	4D18	4	120 - 63
AH128327	1F18	3	40 - 8	AH128909	4E4	13	120 - 73	AH130497	3B14	18	80 - 11
AH128328	1F18	3	40 - 8	AH128914	3C4	14	80 - 25	AH130506	3B16	12	80 - 13
AH128328	1H20	6	40 - 55	AH128924	5D21	11	160 - 5	AH130515	3B12	6	80 - 9
AH128328	1J14	1	40 - 99	AH128925	1G6	17	40 - 21	AH130560	2H2	14	70 - 21
AH128349	3D7	10	90 - 3	AH128925	3F25	6	90 - 71	AH130561	2G25	28	70 - 19
AH128357	2B16	18	50 - 13	AH128926	1G6	7	40 - 21	AH130561	2H2	2	70 - 21
AH128357	3E12	18	90 - 33	AH128926	3F25	2	90 - 71	AH130563	2G21	8	70 - 15
AH128359	4H10	5	121 - 67	AH128929	1H2	18	40 - 37	AH130564	2G21	4	70 - 15
AH128360	4C16	7	120 - 37	AH128929	1H4	18	40 - 39	AH130567	2H18	10	70 - 37
AH128361	4C16	9	120 - 37	AH128929	2J11	11	70 - 81	AH130568	2H18	8	70 - 37
AH128384	4G18	1	121 - 51	AH128986	1H24	22	40 - 59	AH130570	4J4	28	125 - 35
AH128391	2C3	5	50 - 27	AH129045	1H2	8	40 - 37	AH130570	4J9	9	125 - 40
AH128413	1I6	7	40 - 66	AH129045	1H4	8	40 - 39	AH130571	4J9	3	125 - 40
AH128449	2C11	24	50 - 35	AH129056	1E16	14	30 - 3	AH130572	4J4	24	125 - 35
AH128449	2C12	24	50 - 36	AH129056	1E20	6	30 - 7	AH130581	2I16	5	70 - 61
AH128449	2G18	1	70 - 11	AH129058	1E20	8	30 - 7	AH130582	4F10	4	121 - 19
AH128449	2J4	11	70 - 73	AH129066	5C23	3	130 - 47	AH130586	3E6	14	90 - 27
AH128450	2J4	10	70 - 73	AH129195	3B14	5	80 - 11	AH130592	4H6	14	121 - 63
AH128451	2J4	5	70 - 73	AH129228	3B14	17	80 - 11	AH130594	3D19	6	90 - 15
AH128452	3E14	12	90 - 35	AH129236	2F4	39	60 - 21	AH130595	3D19	21	90 - 15
AH128452	3G21	12	110 - 7	AH129236	3F21	39	90 - 67	AH130602	1H10	7	40 - 45
AH128528	2B19	1	50 - 17	AH129244	2H20	4	70 - 39	AH130602	1H12	12	40 - 47
AH128581	4J14	20	125 - 45	AH129255	2F2	18	60 - 19	AH130603	1H10	1	40 - 45
AH128584	2G23	4	70 - 17	AH129255	3F19	18	90 - 65	AH130603	1H12	7	40 - 47
AH128585	3D15	13	90 - 11	AH129272	4C12	13	120 - 33	AH130605	2E14	16	60 - 7
AH128596	3C8	7	80 - 29	AH129278	2C7	3	50 - 31	AH130610	3G11	14	90 - 83
AH128597	3C10	12	80 - 31	AH129280	2C17	15	50 - 42	AH130611	2D20	7	50 - 69
AH128598	3C10	10	80 - 31	AH129284	2C14	8	50 - 39	AH130612	2E14	17	60 - 7
AH128598	3C14	17	80 - 35	AH129357	5B8	9	130 - 5	AH130613	2E14	18	60 - 7
AH128610	3D25	15	90 - 21	AH129420	4G12	4	121 - 45	AH130871	2F21	19	60 - 39
AH128618	4D6	7	120 - 51	AH129420	4G16	11	121 - 49	AH130884	4J10	3	125 - 41
AH128639	2H22	10	70 - 41	AH129451	3B7	3	80 - 4	AH130886	4J8	21	125 - 39
AH128640	2H22	8	70 - 41	AH129451	4C24	20	120 - 45	AH130890	2F12	8	60 - 29
AH128641	2I16	1	70 - 61	AH129451	4G12	44	121 - 45	AH130892	4J8	17	125 - 39
AH128642	2I16	11	70 - 61	AH129452	3B7	1	80 - 4	AH130893	4J8	17	125 - 39
AH128654	2D8	14	50 - 57	AH129452	4C24	22	120 - 45	AH130906	4C8	7	120 - 29
AH128654	2J7	14	70 - 76	AH129452	4G12	46	121 - 45	AH130936	2G19	5	70 - 12
AH128655	1H18	20	40 - 53	AH130083	1F4	9	30 - 15	AH130941	3C4	2	80 - 25
AH128655	2D8	16	50 - 57	AH130100	1E24	9	30 - 11	AH130944	3C4	6	80 - 25
AH128655	2J6	28	70 - 75	AH130113	2H6	13	70 - 25	AH130945	3C4	5	80 - 25
AH128655	2J7	16	70 - 76	AH130119	2F12	9	60 - 29	AH130949	2D8	15	50 - 57
AH128664	4J14	24	125 - 45	AH130126	2E22	32	60 - 15	AH130949	2J7	15	70 - 76
AH128664	4J15	2	125 - 46	AH130127	1E18	7	30 - 5	AH130964	4I2	41	125 - 9
AH128672	2D7	1	50 - 56	AH130136	4J14	4	125 - 45	AH130988	4D4	28	120 - 49
AH128692	2D21	1	50 - 70	AH130185	4D10	1	120 - 55	AH130996	4D20	4	120 - 65
AH128727	5D18	1	160 - 2	AH130193	3B20	15	80 - 17	AH131045	2E19	2	60 - 12
AH128736	4E6	1	120 - 75	AH130197	3C4	15	80 - 25	AH131045	2E19	4	60 - 12
AH128742	2H20	12	70 - 39	AH130198	5C6	31	130 - 29	AH131045	2E19	5	60 - 12
AH128753	2H6	21	70 - 25	AH130202	4B10	14	120 - 7	AH131045	2E19	6	60 - 12
AH128757	2D24	20	50 - 73	AH130209	2G12	15	70 - 5	AH131048	2E19	9	60 - 12
AH128779	2I24	12	70 - 69	AH130222	1H2	2	40 - 37	AH131049	2E19	9	60 - 12
AH128780	2I24	11	70 - 69	AH130222	1H4	2	40 - 39	AH131051	2E18	12	60 - 11
AH128785	1H18	23	40 - 53	AH130230	1E24	10	30 - 11	AH131054	2E18	19	60 - 11

NUMERICAL INDEX - CONTINUED

PART NO.	GRID	KEY	PAGE	PART NO.	GRID	KEY	PAGE	PART NO.	GRID	KEY	PAGE
AH131055	2E18	19	60 - 11	AH131378	2H6	7	70 - 25	AH132803	1E24	12	30 - 11
AH131058	2E18	7	60 - 11	AH131381	2F6	30	60 - 23	AH132806	5B10	10	130 - 7
AH131059	2E18	7	60 - 11	AH131382	2F6	29	60 - 23	AH132814	1E16	1	30 - 3
AH131062	2E18	28	60 - 11	AH131391	2C9	3	50 - 33	AH132819	3D17	12	90 - 13
AH131074	4J9	10	125 - 40	AH131391	2C9	5	50 - 33	AH132823	4E10	10	120 - 79
AH131166	4I2	19	125 - 9	AH131391	2C9	11	50 - 33	AH132832	2G10	4	70 - 3
AH131167	2C11	28	50 - 35	AH131391	2C9	..	50 - 33	AH132840	2E18	24	60 - 11
AH131168	2C14	28	50 - 39	AH131391	2C16	..	50 - 41	AH132965	4E2	3	120 - 71
AH131169	2C5	9	50 - 29	AH131405	2I2	34	70 - 45	AH132966	4E2	3	120 - 71
AH131169	2C6	9	50 - 30	AH131405	2I7	8	70 - 51	AH132988	4I12	2	125 - 19
AH131169	2C16	2	50 - 41	AH131405	2I9	8	70 - 53	AH133088	3D13	..	90 - 9
AH131170	2C11	15	50 - 35	AH131420	2I4	30	70 - 47	AH133088	3G13	17	90 - 85
AH131171	2C5	17	50 - 29	AH131421	2I4	26	70 - 47	AH133091	4E2	3	120 - 71
AH131171	2C6	10	50 - 30	AH131423	1I11	2	40 - 71	AH133126	2E16	9	60 - 9
AH131171	2C16	13	50 - 41	AH131508	4G14	15	121 - 47	AH133128	2E16	3	60 - 9
AH131172	2C9	29	50 - 33	AH131535	2H12	26	70 - 31	AH133128	2E16	12	60 - 9
AH131172	2C10	10	50 - 34	AH131535	2H14	22	70 - 33	AH133128	2E16	28	60 - 9
AH131174	2C17	15	50 - 42	AH131545	2F6	19	60 - 23	AH133128	2E16	29	60 - 9
AH131176	2I14	2	70 - 59	AH131546	2F6	18	60 - 23	AH133128	2E16	33	60 - 9
AH131176	2I14	4	70 - 59	AH131550	5B16	12	130 - 13	AH133128	2E16	..	60 - 9
AH131176	2I14	6	70 - 59	AH131570	2H10	15	70 - 29	AH133151	2H14	2	70 - 33
AH131176	2I14	7	70 - 59	AH131570	5D19	15	160 - 3	AH133156	4B22	1	120 - 19
AH131176	2I14	8	70 - 59	AH131571	2H10	10	70 - 29	AH133157	4B22	16	120 - 19
AH131176	2I14	9	70 - 59	AH131571	5D19	10	160 - 3	AH133157	4C6	18	120 - 27
AH131176	2I14	11	70 - 59	AH131572	2H10	9	70 - 29	AH133160	2F6	34	60 - 23
AH131176	2I14	..	70 - 59	AH131572	5D19	9	160 - 3	AH133161	2F6	33	60 - 23
AH131176	4I24	11	125 - 31	AH131576	2H6	18	70 - 25	AH133191	3I10	48	110 - 47
AH131178	2I14	17	70 - 59	AH131842	2I14	3	70 - 59	AH133191	4E10	1	120 - 79
AH131181	2I12	..	70 - 57	AH131842	4I24	3	125 - 31	AH133191	4G12	8	121 - 45
AH131182	2E4	7	50 - 77	AH131844	3D23	2B	90 - 19	AH133191	4G16	18	121 - 49
AH131182	2I12	26	70 - 57	AH131845	3D23	2B	90 - 19	AH133191	4H4	28	121 - 61
AH131183	2E4	7	50 - 77	AH131851	3D23	2B	90 - 19	AH133191	5D4	18	130 - 53
AH131183	2I12	26	70 - 57	AH131860	5B23	18	130 - 21	AH133191	5D6	3	130 - 55
AH131215	4D10	4	120 - 55	AH131861	2B19	33	50 - 17	AH133191	5D9	28	130 - 59
AH131217	4D24	4	120 - 69	AH131862	2B21	17	50 - 19	AH133265	2H12	14	70 - 31
AH131219	4D24	4	120 - 69	AH131874	2F10	9	60 - 27	AH133285	2H12	27	70 - 31
AH131250	2H12	3	70 - 31	AH131875	2F10	10	60 - 27	AH133316	1J8	12	40 - 93
AH131250	2H14	5	70 - 33	AH131876	2G23	8	70 - 17	AH133498	3D23	8	90 - 19
AH131301	3B12	30	80 - 9	AH131960	4C16	12	120 - 37	AH133499	3D23	8	90 - 19
AH131302	2F8	25	60 - 25	AH131960	4G14	3	121 - 47	AH133499	3D25	21	90 - 21
AH131303	2G21	2	70 - 15	AH131960	5E6	3	170 - 5	AH133500	3D23	8	90 - 19
AH131303	2H2	23	70 - 21	AH131965	3B12	24	80 - 9	AH133660	2C5	29	50 - 29
AH131303	3H21	15	110 - 33	AH132027	2G10	5	70 - 3	AH133661	2C16	27	50 - 41
AH131304	2I14	13	70 - 59	AH132031	4I18	4	125 - 25	AH133752	2E24	8	60 - 17
AH131305	2C5	..	50 - 29	AH132116	2B10	4	50 - 6	AH133758	4I20	2	125 - 27
AH131305	2C7	..	50 - 31	AH132117	3D17	13	90 - 13	AH133759	4I18	2	125 - 25
AH131305	2C9	..	50 - 33	AH132148	3D19	15	90 - 15	AH133770	4I18	11	125 - 25
AH131305	2E4	3	50 - 77	AH132189	4G2	14	121 - 35	AH133830	3B10	22A	80 - 7
AH131305	2E4	6	50 - 77	AH132190	4G2	10	121 - 35	AH133844	2B10	4	50 - 6
AH131308	2C17	6	50 - 42	AH132200	4I20	9	125 - 27	AH133896	1H18	11	40 - 53
AH131310	2C16	1	50 - 41	AH132201	4I20	15	125 - 27	AH133941	2D20	32	50 - 69
AH131310	2C16	16	50 - 41	AH132203	2H12	22	70 - 31	AH133942	2D20	33	50 - 69
AH131310	2C16	24	50 - 41	AH132230	5C25	15	130 - 49	AH133948	4I20	21	125 - 27
AH131310	2C16	..	50 - 41	AH132230	5D2	21	130 - 51	AH133948	4I22	1	125 - 29
AH131310	2E2	1	50 - 75	AH132230	5D2	24	130 - 51	AH133949	4I20	17	125 - 27
AH131311	2H4	6	70 - 23	AH132264	1G6	6	40 - 21	AH133949	4I22	2	125 - 29
AH131316	2F8	24	60 - 25	AH132264	3G2	1	90 - 73	AH133974	4F12	40	121 - 21
AH131317	2G12	16	70 - 5	AH132264	3G11	18	90 - 83	AH134121	3H4	27	110 - 15
AH131320	1G8	5	40 - 23	AH132346	4F24	14	121 - 33	AH134121	3H6	27	110 - 17
AH131326	2H24	19	70 - 43	AH132356	4D2	16	120 - 47	AH134144	4B16	17	120 - 13
AH131326	2I2	33	70 - 45	AH132356	4D8	8	120 - 53	AH134145	4B16	17	120 - 13
AH131326	2I4	21	70 - 47	AH132361	3B6	4	80 - 3	AH134205	2G10	9	70 - 3
AH131326	2I5	23	70 - 49	AH132361	4I8	11	125 - 15	AH134207	4F10	6	121 - 19
AH131326	2I7	9	70 - 51	AH132372	5B23	24	130 - 21	AH134224	5D21	3	160 - 5
AH131326	2I9	9	70 - 53	AH132372	5B25	21	130 - 23	AH134254	1H14	15	40 - 49
AH131331	4C4	3	120 - 25	AH132783	3E7	2	90 - 28	AH134288	1J12	5	40 - 97
AH131334	2H23	3	70 - 42	AH132787	4D18	3	120 - 63	AH134296	1G4	3	40 - 19

1K19

9410 MAXIMIZER™ COMBINE

NUMERICAL INDEX - CONTINUED

PART NO.	GRID	KEY	PAGE	PART NO.	GRID	KEY	PAGE	PART NO.	GRID	KEY	PAGE
AH134296	1G18	15	40 - 33	AH135478	3B24	5	80 - 21	AH136554	5D14	2	130 - 65
AH134296	1G20	15	40 - 33B	AH135479	3B24	5	80 - 21	AH136554	5D16	2	130 - 67
AH134304	2E18	31	60 - 11	AH135482	3B24	9	80 - 21	AH136557	3D21	13	90 - 17
AH134305	2E18	31	60 - 11	AH135565	4F4	18	121 - 13	AH136605	4B22	11	120 - 19
AH134319	4H2	19	121 - 59	AH135572	4G8	29	121 - 41	AH136605	4B22	12	120 - 19
AH134438	4H25	6	125 - 7	AH135572	4G10	15	121 - 43	AH136605	4B24	1	120 - 21
AH134439	4H25	1	125 - 7	AH135573	4G8	20	121 - 41	AH136605	4B24	2	120 - 21
AH134524	1H10	3	40 - 45	AH135573	4G10	6	121 - 43	AH136616	3B14	6	80 - 11
AH134554	4I24	13	125 - 31	AH135579	5B25	14	130 - 23	AH136635	5B20	8	130 - 17
AH134555	4I20	12	125 - 27	AH135620	2D20	23	50 - 69	AH136873	3G17	30	110 - 3
AH134555	4I24	17	125 - 31	AH135647	4C4	1	120 - 25	AH136873	3I20	19	110 - 57
AH134598	5B23	16	130 - 21	AH135658	4J2	6	125 - 33	AH136929	3F6	2	90 - 51
AH134642	1B7	7	20 - 5	AH135682	2H2	13	70 - 21	AH136930	3F6	4	90 - 51
AH134662	4C2	16	120 - 23	AH135684	2G21	23	70 - 15	AH136935	3F8	2	90 - 53
AH134724	3E16	1	90 - 37	AH135686	2G21	24	70 - 15	AH136936	3F10	3	90 - 55
AH134728	1H8	21	40 - 43	AH135688	2G25	18	70 - 19	AH136937	3F4	2	90 - 49
AH134728	1I5	3	40 - 65	AH135689	2H4	5	70 - 23	AH137147	1I13	7	40 - 73
AH134729	4G20	4	121 - 53	AH135695	2E10	2	60 - 3	AH137254	1E16	18	30 - 3
AH134730	4G20	5	121 - 53	AH135744	1H18	21	40 - 53	AH137254	3B20	6	80 - 17
AH134733	2I7	25	70 - 51	AH135744	2J6	15	70 - 75	AH137256	5C2	3	130 - 25
AH134733	2I9	7	70 - 53	AH135787	1G18	8	40 - 33	AH137257	5C2	2	130 - 25
AH134733	2I9	27	70 - 53	AH135787	1G18	9	40 - 33	AH137310	4F2	18	121 - 11
AH134813	2F19	13	60 - 37	AH135787	1G18	20	40 - 33	AH137350	2B19	33	50 - 17
AH134814	2F18	1	60 - 36	AH135787	1G20	9	40 - 33B	AH137486	3G2	15	90 - 73
AH134833	2H24	26	70 - 43	AH135787	1G20	20	40 - 33B	AH137630	3H23	5	110 - 35
AH134858	5B23	20	130 - 21	AH135787	1H2	17	40 - 37	AH137631	3H23	9	110 - 35
AH134859	4F18	..	121 - 27	AH135787	1H4	17	40 - 39	AH137631	4J9	10	125 - 40
AH134861	4F2	..	121 - 11	AH135821	1J4	3	40 - 89	AH137631	5B10	10	130 - 7
AH134862	2E4	1	50 - 77	AH135826	4C2	16	120 - 23	AH137702	3G2	4	90 - 73
AH134862	4E22	..	121 - 7	AH135837	4H14	25	121 - 71	AH137704	1B9	17	20 - 7
AH134873	4G16	7	121 - 49	AH135837	4H16	1	121 - 73	AH137725	3E6	11	90 - 27
AH134884	3F23	16	90 - 69	AH135844	2B7	16	50 - 3	AH137733	3H21	1	110 - 33
AH135035	1B5	4	20 - 3	AH135890	1F4	9	30 - 15	AH137751	4I10	4	125 - 17
AH135064	2H23	3	70 - 42	AH136046	3B14	22	80 - 11	AH137752	4I4	13	125 - 11
AH135077	4F12	10	121 - 21	AH136047	3B16	19	80 - 13	AH137753	4I6	3	125 - 13
AH135155	1E16	24	30 - 3	AH136052	4F10	16	121 - 19	AH137771	4F8	12	121 - 17
AH135191	1E16	17	30 - 3	AH136126	4H4	35	121 - 61	AH137772	4F6	1	121 - 15
AH135207	4J17	17	125 - 49	AH136146	1E20	11	30 - 7	AH137792	4H8	7	121 - 65
AH135217	2G4	4	60 - 47	AH136147	1E16	19	30 - 3	AH137845	3H23	1	110 - 35
AH135240	4C6	6	120 - 27	AH136153	5C14	15	130 - 37	AH137975	2F16	8	60 - 33
AH135254	5E18	..	170 - 17	AH136163	3B10	1	80 - 7	AH137975	4I8	1	125 - 15
AH135254	5E20	..	170 - 19	AH136202	4I12	12	125 - 19	AH137986	4I22	17	125 - 29
AH135254	5E22	..	170 - 21	AH136248	2G14	..	70 - 7	AH138048	2B9	4	50 - 5
AH135254	5E24	..	170 - 23	AH136248	4I14	3	125 - 21	AH138098	1G16	12	40 - 31
AH135254	5F2	..	170 - 25	AH136248	4I14	4	125 - 21	AH138111	3E16	8	90 - 37
AH135254	5F3	..	170 - 26	AH136248	4I14	7	125 - 21	AH138156	4H14	30	121 - 71
AH135254	5F5	..	170 - 29	AH136248	4I14	8	125 - 21	AH138157	4H14	18	121 - 71
AH135254	5F7	..	170 - 31	AH136248	4I14	9	125 - 21	AH138187	3H23	1	110 - 35
AH135263	4B18	8	120 - 15	AH136248	4I14	..	125 - 21	AH138200	2I21	13	70 - 66
AH135290	3C20	7	80 - 41	AH136248	4I15	6	125 - 22	AH138230	4E2	8	120 - 71
AH135290	3C22	12	80 - 43	AH136285	3C18	18	80 - 39	AH138230	4E4	2	120 - 73
AH135290	3H4	23	110 - 15	AH136301	2E12	2	60 - 5	AH138231	4D16	7	120 - 61
AH135290	3H6	23	110 - 17	AH136301	2E14	1	60 - 7	AH138232	4D22	6	120 - 67
AH135290	4D8	10	120 - 53	AH136301	2E16	32	60 - 9	AH138232	4E2	7	120 - 71
AH135296	4F12	10	121 - 21	AH136304	2E16	26	60 - 9	AH138233	2F16	11	60 - 33
AH135298	3B20	17	80 - 17	AH136305	2E16	2	60 - 9	AH138234	4D16	1	120 - 61
AH135300	3B22	7	80 - 19	AH136356	1G22	1	40 - 35	AH138234	4D16	2	120 - 61
AH135342	4H2	3	121 - 59	AH136362	2B9	11	50 - 5	AH138257	1B7	6	20 - 5
AH135342	4H2	14	121 - 59	AH136362	2E14	14	60 - 7	AH138291	1I1	13	40 - 61
AH135381	4E6	8	120 - 75	AH136386	1F2	2	30 - 13	AH138329	2B16	27	50 - 13
AH135439	5B16	3	130 - 13	AH136455	3B14	8	80 - 11	AH138329	2B16	29	50 - 13
AH135440	5B16	17	130 - 13	AH136494	1J8	7	40 - 93	AH138329	2B16	32	50 - 13
AH135441	5B16	10	130 - 13	AH136496	1J8	3	40 - 93	AH138329	3E12	27	90 - 33
AH135444	5B16	19	130 - 13	AH136497	3I6	8	110 - 43	AH138329	3E12	29	90 - 33
AH135445	5B16	19	130 - 13	AH136497	4G2	15	121 - 35	AH138329	3E12	32	90 - 33
AH135463	5B14	11	130 - 11	AH136553	5D14	3	130 - 65	AH138374	4D8	2	120 - 53
AH135463	5B25	1	130 - 23	AH136553	5D16	3	130 - 67	AH138375	4D8	9	120 - 53

NUMERICAL INDEX - CONTINUED

PART NO.	GRID	KEY	PAGE	PART NO.	GRID	KEY	PAGE	PART NO.	GRID	KEY	PAGE
AH138384	4D6	23	120 - 51	AH139782	3B20	11	80 - 17	AH140967	3B12	20	80 - 9
AH138601	3F23	13	90 - 69	AH139791	4H8	5	121 - 65	AH14097	4I2	1	125 - 9
AH138601	3F23	38	90 - 69	AH139802	2D20	24	50 - 69	AH141012	1G16	10	40 - 31
AH138655	4J6	7	125 - 37	AH139853	2D24	19	50 - 73	AH141022	4F6	21	121 - 15
AH138660	4E22	10	121 - 7	AH139854	2D24	19	50 - 73	AH141030	4C12	2	120 - 33
AH138666	3E16	..	90 - 37	AH139936	4F10	23	121 - 19	AH141038	1H14	2	40 - 49
AH138702	2E16	31	60 - 9	AH139987	1J2	2	40 - 87	AH141049	4F6	..	121 - 15
AH138707	2B16	3	50 - 13	AH140001	5D6	15	130 - 55	AH141049	4F8	..	121 - 17
AH138707	3E12	3	90 - 33	AH140001	5D6	16	130 - 55	AH141131	1F21	9	40 - 11
AH138718	4I22	9	125 - 29	AH140044	4D10	9	120 - 55	AH141142	4D16	18	120 - 61
AH138751	3G17	1	110 - 3	AH140044	4D18	13	120 - 63	AH141142	4H17	..	121 - 74
AH138751	3G17	19	110 - 3	AH140081	5C12	2	130 - 35	AH141161	3D19	4	90 - 15
AH138751	3G17	..	110 - 3	AH140118	1B7	2	20 - 5	AH141171	1F21	5	40 - 11
AH138809	2G5	1	60 - 48	AH140119	1B5	2	20 - 3	AH141184	4I2	27	125 - 9
AH138947	5B10	8	130 - 7	AH140120	1F19	7	40 - 9	AH141201	5D4	22	130 - 53
AH138971	4H25	22	125 - 7	AH140120	1H6	..	40 - 41	AH141248	3I22	14	110 - 59
AH138971	4J2	2	125 - 33	AH140127	5B23	14	130 - 21	AH141283	3I22	16	110 - 59
AH138972	4H25	23	125 - 7	AH140127	5B23	20	130 - 21	AH141302	2B10	4	50 - 6
AH138972	4J2	8	125 - 33	AH140127	5B23	24	130 - 21	AH141389	4F4	20	121 - 13
AH139059	1H18	9	40 - 53	AH140127	5B23	25	130 - 21	AH141389	4F12	46	121 - 21
AH139060	2I4	22	70 - 47	AH140129	4H14	27	121 - 71	AH141393	4E10	17	120 - 79
AH139060	2I7	11	70 - 51	AH140131	4B16	26	120 - 13	AH141399	3H19	19	110 - 31
AH139060	2I9	13	70 - 53	AH140161	2B7	2	50 - 3	AH141412	3D17	11	90 - 13
AH139065	2F4	36	60 - 21	AH140170	1B5	18	20 - 3	AH141412	3D17	13	90 - 13
AH139065	3F21	36	90 - 67	AH140185	3G19	19	110 - 5	AH141544	2D16	11	50 - 65
AH139072	5C19	9	130 - 42	AH140312	3B7	..	80 - 4	AH141573	4J8	25	125 - 39
AH139115	4I2	12	125 - 9	AH140334	5C21	3	130 - 45	AH141577	5B6	12	130 - 3
AH139115	4I2	15	125 - 9	AH140335	5C23	3	130 - 47	AH141582	2E18	29	60 - 11
AH139118	4E18	5	121 - 3	AH140410	2B13	3	50 - 9	AH141618	4B14	1	120 - 11
AH139119	3F12	6	90 - 57	AH140410	2B13	..	50 - 9	AH141625	1E24	11	30 - 11
AH139238	4F12	43	121 - 21	AH140417	4B16	..	120 - 13	AH141652	4I6	5	125 - 13
AH139243	3I8	3	110 - 45	AH140427	3B8	..	80 - 5	AH141671	1B7	11	20 - 5
AH139246	4C4	8	120 - 25	AH140435	4E6	8	120 - 75	AH141672	1B7	14	20 - 5
AH139255	3B12	6	80 - 9	AH140484	3B6	23	80 - 3	AH141686	2E14	5	60 - 7
AH139260	4H14	6	121 - 71	AH140485	3B6	23	80 - 3	AH141687	2E14	6	60 - 7
AH139260	4H16	9	121 - 73	AH140495	1B5	33	20 - 3	AH141743	3C16	2	80 - 37
AH139295	3G25	6	110 - 11	AH140497	1B5	31	20 - 3	AH141762	4F22	14	121 - 31
AH139295	3H2	21	110 - 13	AH140605	1G22	14	40 - 35	AH141762	4G14	25	121 - 47
AH139296	4G12	3	121 - 45	AH140605	2E10	10	60 - 3	AH141774	3D11	4	90 - 7
AH139296	4G16	12	121 - 49	AH140609	1F17	4	40 - 7	AH141780	3H21	9	110 - 33
AH139297	4D4	24	120 - 49	AH140609	3E10	4	90 - 31	AH141781	3H21	11	110 - 33
AH139321	4E18	..	121 - 3	AH140615	3G19	31	110 - 5	AH141782	3H21	10	110 - 33
AH139321	4E20	..	121 - 5	AH140706	1F21	14	40 - 11	AH141794	2E14	2	60 - 7
AH139321	4F2	..	121 - 11	AH140706	1F21	18	40 - 11	AH141804	3E4	1	90 - 25
AH139342	4C22	5	120 - 43	AH140714	2F10	8	60 - 27	AH141808	1B7	17	20 - 5
AH139384	3B12	6	80 - 9	AH140715	2F10	7	60 - 27	AH141811	2C17	19	50 - 42
AH139388	5B6	18	130 - 3	AH140786	1F15	..	40 - 5	AH141812	3E4	9	90 - 25
AH139389	5B6	18	130 - 3	AH140786	1G16	30	40 - 31	AH141813	1J2	10	40 - 87
AH139391	5B6	18	130 - 3	AH140790	5C16	1	130 - 39	AH141820	4F12	29	121 - 21
AH139432	4B16	17	120 - 13	AH14080	4G16	6	121 - 49	AH141820	4F16	2	121 - 25
AH139433	4B16	17	120 - 13	AH140838	3D15	12	90 - 11	AH141821	4F12	29	121 - 21
AH139434	2J4	12	70 - 73	AH140901	5D9	23	130 - 59	AH141823	1E16	26	30 - 3
AH139436	4C16	12	120 - 37	AH140902	2G14	25	70 - 7	AH141849	1B7	8	20 - 5
AH139436	4G14	3	121 - 47	AH140902	4I12	12	125 - 19	AH141858	2G16	1	70 - 9
AH139436	5E6	3	170 - 5	AH140902	4I14	20	125 - 21	AH141858	4I4	14	125 - 11
AH139570	3B8	4	80 - 5	AH140902	4I20	25	125 - 27	AH141861	3I8	5	110 - 45
AH139571	3B8	5	80 - 5	AH140903	2G14	6	70 - 7	AH141973	4G2	5	121 - 35
AH139610	2H9	2	70 - 28	AH140903	4I14	3	125 - 21	AH141974	4G2	5	121 - 35
AH139610	2H9	13	70 - 28	AH140903	4I14	4	125 - 21	AH141984	1F17	9	40 - 7
AH139611	2H9	2	70 - 28	AH140903	4I14	5	125 - 21	AH141984	3E10	9	90 - 31
AH139611	2H9	13	70 - 28	AH140903	4I14	6	125 - 21	AH142103	3G2	19	90 - 73
AH139681	4H14	14	121 - 71	AH140903	4I14	7	125 - 21	AH142103	3G4	4	90 - 75
AH139682	4H14	32	121 - 71	AH140903	4I14	8	125 - 21	AH142106	3G4	2	90 - 75
AH139754	2H9	13	70 - 28	AH140903	4I14	9	125 - 21	AH142139	2B12	1	50 - 8
AH139755	2H9	13	70 - 28	AH140903	4I14	..	125 - 21	AH142155	1G16	14	40 - 31
AH139768	4B16	17	120 - 13	AH140903	4I16	9	125 - 23	AH142158	2B12	1	50 - 8
AH139779	2B10	4	50 - 6	AH140967	3B12	19	80 - 9	AH142163	4J8	27	125 - 39

NUMERICAL INDEX - CONTINUED

PART NO.	GRID	KEY	PAGE	PART NO.	GRID	KEY	PAGE	PART NO.	GRID	KEY	PAGE
AH142370	4C24	16	120 - 45	AH144194	2D16	11	50 - 65	AH146207	1F23	8	40 - 13
AH142394	3H23	30	110 - 35	AH144478	4H8	5	121 - 65	AH146214	5B21	15	130 - 18
AH142404	3E4	22	90 - 25	AH144478	4H14	29	121 - 71	AH146216	5B18	9	130 - 15
AH142404	3E6	4	90 - 27	AH144480	2I21	15	70 - 66	AH146218	5B18	1	130 - 15
AH142404	3E6	21	90 - 27	AH144482	2I21	1	70 - 66	AH146221	5B18	2	130 - 15
AH142407	3G25	24	110 - 11	AH144503	1G12	23	40 - 27	AH146234	3F4	1	90 - 49
AH142441	2E22	32	60 - 15	AH144523	3I22	2	110 - 59	AH146309	1I1	6	40 - 61
AH142441	2F4	27	60 - 21	AH144544	4B16	26	120 - 13	AH146322	4J4	8	125 - 35
AH142441	3F21	27	90 - 67	AH144545	4B16	26	120 - 13	AH146352	5C10	21	130 - 33
AH142527	1B7	25	20 - 5	AH144599	4B12	4	120 - 9	AH146359	5D6	19	130 - 55
AH142560	3H15	8	110 - 26	AH144601	4B12	20	120 - 9	AH146359	5E5	2	170 - 4
AH142611	2D10	4	50 - 59	AH144609	4B10	9	120 - 7	AH146361	3C6	4	80 - 27
AH142630	5B16	20	130 - 13	AH144609	4B10	18	120 - 7	AH146461	4G16	28	121 - 49
AH142731	2I5	25	70 - 49	AH144695	2G4	4	60 - 47	AH146462	4G16	31	121 - 49
AH142758	2D12	17	50 - 61	AH144715	3G19	17	110 - 5	AH146463	4G16	4	121 - 49
AH142779	4H14	5	121 - 71	AH144719	1B16	2	20 - 15	AH146492	2E10	2	60 - 3
AH142779	4H23	1	125 - 5	AH144719	1F4	5	30 - 15	AH146506	4G16	4	121 - 49
AH142870	4E22	37	121 - 7	AH144741	1F15	6	40 - 5	AH146509	5B21	9	130 - 18
AH142870	4E24	18	121 - 9	AH144742	1F15	7	40 - 5	AH146621	1E16	22	30 - 3
AH142893	2E22	31	60 - 15	AH144776	4B12	12	120 - 9	AH146655	4C22	2	120 - 43
AH142999	1H22	17	40 - 57	AH144777	4B12	2	120 - 9	AH146742	3E19	1	90 - 40
AH142999	5C18	3A	130 - 41	AH144778	3F2	1	90 - 47	AH146783	3C2	4	80 - 23
AH143035	2D14	1	50 - 63	AH144816	4E8	9	120 - 77	AH146854	3D13	6	90 - 9
AH143036	1E18	15	30 - 5	AH144831	2G16	2	70 - 9	AH147030	3E19	3	90 - 40
AH143048	4H14	16	121 - 71	AH144868	4B22	19	120 - 19	AH147066	3E16	7	90 - 37
AH143069	3H15	2	110 - 26	AH144892	1H16	25	40 - 51	AH147084	2I2	41	70 - 45
AH143322	2I21	16	70 - 66	AH144892	1H18	30	40 - 53	AH147084	2I7	12	70 - 51
AH143322	2I22	12	70 - 67	AH145026	1F23	1	40 - 13	AH147084	2I9	14	70 - 53
AH143352	2D14	5	50 - 63	AH145029	3H25	12	110 - 37	AH147085	2H24	25	70 - 43
AH143353	2D12	16	50 - 61	AH145030	2I20	21	70 - 65	AH147086	2I5	22	70 - 49
AH143361	3H12	13	110 - 23	AH145047	5C23	3	130 - 47	AH147086	2I7	10	70 - 51
AH143362	3H12	14	110 - 23	AH145048	5C23	3	130 - 47	AH147086	2I7	26	70 - 51
AH143406	2D24	18	50 - 73	AH145049	5C23	3	130 - 47	AH147086	2I9	10	70 - 53
AH143407	2D24	18	50 - 73	AH145051	5C14	1	130 - 37	AH147086	2I9	11	70 - 53
AH143422	1F13	6	40 - 3	AH145056	1H2	20	40 - 37	AH147086	2I9	12	70 - 53
AH143422	1G12	..	40 - 27	AH145060	2B7	3	50 - 3	AH147092	3C12	1	80 - 33
AH143426	4H10	7	121 - 67	AH145061	2B7	1	50 - 3	AH147097	2H24	27	70 - 43
AH143455	2H14	7	70 - 33	AH145065	3E18	7	90 - 39	AH147097	2I7	13	70 - 51
AH143512	3I18	6	110 - 55	AH145157	3E2	8	90 - 23	AH147097	2I9	15	70 - 53
AH143512	3I18	15	110 - 55	AH145203	3I22	6	110 - 59	AH147153	3E20	1	90 - 41
AH143512	3I18	..	110 - 55	AH145205	3I22	13	110 - 59	AH147201	4D2	14	120 - 47
AH143512	3I22	7	110 - 59	AH145232	2J2	1	70 - 71	AH147353	4H6	3	121 - 63
AH143512	3I22	8	110 - 59	AH145235	2D18	4	50 - 67	AH147360	1F4	2	30 - 15
AH143682	2H8	1	70 - 27	AH145237	2D18	5	50 - 67	AH147584	4D14	6	120 - 59
AH143682	2I22	1	70 - 67	AH145239	2I24	6	70 - 69	AH147935	2E24	9	60 - 17
AH143727	5D2	11	130 - 51	AH145241	2I24	7	70 - 69	AH147938	1F2	3	30 - 13
AH143729	5C25	6	130 - 49	AH145256	1I6	1	40 - 66	AH147974	3D23	2A	90 - 19
AH143731	5C25	6	130 - 49	AH145281	3H12	22	110 - 23	AH148028	1H24	20	40 - 59
AH143731	5D2	11	130 - 51	AH145282	3H12	16	110 - 23	AH148107	4D2	5	120 - 47
AH143737	2E12	2	60 - 5	AH145542	1F4	3	30 - 15	AH148124	2H14	18	70 - 33
AH143737	2E14	1	60 - 7	AH145563	1J10	1	40 - 95	AH148170	3D23	2A	90 - 19
AH143737	2E16	32	60 - 9	AH145604	4E10	7	120 - 79	AH148171	3D23	2A	90 - 19
AH143746	4F20	4	121 - 29	AH145616	3F17	2	90 - 62	AH148181	3D23	1	90 - 19
AH143747	4F20	5	121 - 29	AH145674	1F15	16	40 - 5	AH148182	3D23	1	90 - 19
AH143761	1H12	17	40 - 47	AH145678	3D25	16	90 - 21	AH148183	3D23	3	90 - 19
AH143903	1H25	1	40 - 60	AH145701	1I13	7	40 - 73	AH148210	1H22	2	40 - 57
AH143904	1H25	1	40 - 60	AH145762	3H14	1	110 - 25	AH148210	1H24	14	40 - 59
AH143904	4G18	5	121 - 51	AH145763	3H14	2	110 - 25	AH148259	1H16	7	40 - 51
AH144020	3F23	34	90 - 69	AH145769	1H12	14	40 - 47	AH148278	1H18	10	40 - 53
AH144068	5D9	4	130 - 59	AH145935	4E8	12	120 - 77	AH148354	1F17	12	40 - 7
AH144084	3G2	8	90 - 73	AH145947	1F25	7	40 - 15	AH148354	3E10	12	90 - 31
AH144096	1G6	1	40 - 21	AH145964	1I13	6	40 - 73	AH148472	2H24	24	70 - 43
AH144096	1G7	1	40 - 22	AH146032	3F2	4	90 - 47	AH148616	1G6	2	40 - 21
AH144099	3G17	31	110 - 3	AH146041	3C16	7	80 - 37	AH148649	1F4	4	30 - 15
AH144099	3I20	18	110 - 57	AH146041	3C16	11	80 - 37	AH148893	4G2	14	121 - 35
AH144104	4B10	2	120 - 7	AH146043	2I20	20	70 - 65	AH149179	4J14	30	125 - 45
AH144192	2D16	1	50 - 65	AH146116	4B16	..	120 - 13	AH149182	5B8	5	130 - 5

NUMERICAL INDEX - CONTINUED

PART NO.	GRID	KEY	PAGE	PART NO.	GRID	KEY	PAGE	PART NO.	GRID	KEY	PAGE
AH149183	5B16	6	130 - 13	AH151349	3D2	5	80 - 47	AH154962	5C12	2	130 - 35
AH149184	5B16	6	130 - 13	AH151351	3C22	2	80 - 43	AH154965	5D6	5	130 - 55
AH149242	5B12	15	130 - 9	AH151352	3D2	4	80 - 47	AH154966	5D6	6	130 - 55
AH149320	5B10	10	130 - 7	AH151353	3C22	3	80 - 43	AH155077	3I22	16	110 - 59
AH149328	4D4	19	120 - 49	AH151354	4J21	7	125 - 53	AH155199	5C12	5	130 - 35
AH149349	1J12	9	40 - 97	AH151403	5D2	11	130 - 51	AH155264	2H9	2	70 - 28
AH149349	3G17	30	110 - 3	AH151407	5C21	3	130 - 45	AH155264	2H9	13	70 - 28
AH149349	3G19	..	110 - 5	AH151408	5C21	3	130 - 45	AH155265	2H9	2	70 - 28
AH149349	3I20	19	110 - 57	AH151409	5C21	24	130 - 45	AH155265	2H9	13	70 - 28
AH149349	3I20	25	110 - 57	AH151410	5C21	24	130 - 45	AH155275	3I14	1	110 - 51
AH149356	4G16	38	121 - 49	AH151413	5D2	3	130 - 51	AH155348	3I12	13	110 - 49
AH149357	4G16	7	121 - 49	AH151653	4E20	1	121 - 5	AH155480	1H22	17	40 - 57
AH149373	3D9	9	90 - 5	AH151894	3C8	9	80 - 29	AH155480	5C18	3B	130 - 41
AH149374	3D9	9	90 - 5	AH151971	4D22	2	120 - 67	AH155483	1D23	9	24 - 47
AH149543	4J8	29	125 - 39	AH152020	1J6	4	40 - 91	AH155494	4B22	12	120 - 19
AH149545	4D10	4	120 - 55	AH152323	3B14	14	80 - 11	AH155494	4B24	1	120 - 21
AH149545	4D10	13	120 - 55	AH152451	1H22	2	40 - 57	AH155650	3I8	1	110 - 45
AH149549	4D10	4	120 - 55	AH152654	5D10	8	130 - 60	AH155657	3I10	1	110 - 47
AH149549	4D10	13	120 - 55	AH152668	1J16	2	40 - 101	AH155659	3H25	13	110 - 37
AH149551	4D18	15	120 - 63	AH152873	3D13	8	90 - 9	AH155669	3C18	23	80 - 39
AH149553	4D18	15	120 - 63	AH152937	3G17	30	110 - 3	AH155675	3H8	7	110 - 19
AH149555	4D20	18	120 - 65	AH152937	3I20	19	110 - 57	AH155678	3H10	1	110 - 21
AH149558	4D24	14	120 - 69	AH153040	4G16	4	121 - 49	AH155703	3I10	6	110 - 47
AH149559	4D24	14	120 - 69	AH153133	1J16	4	40 - 101	AH155707	3I10	3	110 - 47
AH149588	2J2	1	70 - 71	AH153311	1J16	3	40 - 101	AH155707	3I12	16	110 - 49
AH149618	1B16	1	20 - 15	AH153332	1G2	26	40 - 17	AH155715	3I12	7	110 - 49
AH149618	2J2	4	70 - 71	AH153341	1J12	9	40 - 97	AH155739	3H25	9	110 - 37
AH149618	3G4	6	90 - 75	AH153341	3G19	..	110 - 5	AH155833	3I10	26	110 - 47
AH149631	3D9	8	90 - 5	AH153341	3I20	25	110 - 57	AH155916	1H6	1	40 - 41
AH149701	4E2	1	120 - 71	AH153405	3G2	20	90 - 73	AH155916	1H8	1	40 - 43
AH149833	1G10	30	40 - 25	AH153626	1F11	3	40 - 1	AH156049	3G19	..	110 - 5
AH149834	1G10	3	40 - 25	AH153688	4B22	19	120 - 19	AH156051	4G6	2	121 - 39
AH149835	1G10	1	40 - 25	AH153688	4B24	13	120 - 21	AH156051	4G6	20	121 - 39
AH149879	4D6	16	120 - 51	AH153688	4C4	11	120 - 25	AH156051	4G14	27	121 - 47
AH149883	3D13	2	90 - 9	AH153743	5B12	7	130 - 9	AH156051	4G22	7	121 - 55
AH150167	4D18	12	120 - 63	AH153744	5B12	7	130 - 9	AH156051	4J12	14	125 - 43
AH150168	4D24	12	120 - 69	AH153760	1F2	3	30 - 13	AH156051	5B12	9	130 - 9
AH150169	4D20	8	120 - 65	AH153796	3D21	1	90 - 17	AH156053	3G19	..	110 - 5
AH150335	1E24	2	30 - 11	AH153808	4D12	4	120 - 57	AH156064	1E20	15	30 - 7
AH150441	3D19	22A	90 - 15	AH153910	1F11	6	40 - 1	AH156066	3H4	3	110 - 15
AH150473	1H10	1	40 - 45	AH153911	3D13	1	90 - 9	AH156066	3H6	3	110 - 17
AH150497	4B22	11	120 - 19	AH153998	1G18	1	40 - 33	AH156168	3B12	34	80 - 9
AH150497	4B22	12	120 - 19	AH153998	1G20	1	40 - 33B	AH156177	4J8	25	125 - 39
AH150497	4B24	1	120 - 21	AH154151	1F11	7	40 - 1	AH156186	3B18	3	80 - 15
AH150497	4B24	2	120 - 21	AH154277	1F15	4	40 - 5	AH156333	5D19	19	160 - 3
AH150498	4C14	13	120 - 35	AH154278	1G10	5	40 - 25	AH156333	5D19	20	160 - 3
AH150499	4C10	13	120 - 31	AH154278	1G12	10	40 - 27	AH156333	5D19	21	160 - 3
AH150611	2F2	18	60 - 19	AH154280	3D17	8	90 - 13	AH156333	5D19	22	160 - 3
AH150686	3G19	9	110 - 5	AH154328	3I18	14	110 - 55	AH156349	3B12	1	80 - 9
AH151119	4B22	10	120 - 19	AH154400	4D24	3	120 - 69	AH156360	3I18	5	110 - 55
AH151119	4B24	8	120 - 21	AH154401	3C22	11	80 - 43	AH156361	3I18	11	110 - 55
AH151121	4B18	8	120 - 15	AH154420	4D24	3	120 - 69	AH156362	3I18	8	110 - 55
AH151121	4B22	22	120 - 19	AH154567	3D2	8	80 - 47	AH156363	3I18	9	110 - 55
AH151121	4B24	5	120 - 21	AH154573	1F15	22	40 - 5	AH156374	3H6	2	110 - 17
AH151123	3D13	11	90 - 9	AH154696	3D21	13	90 - 17	AH156388	2G17	8	70 - 10
AH151124	1H16	2	40 - 51	AH154737	3I22	16	110 - 59	AH156402	3F12	16	90 - 57
AH151139	1B11	5	20 - 9	AH154740	3I22	11	110 - 59	AH156406	3H4	2	110 - 15
AH151332	4E10	7	120 - 79	AH154742	3I22	10	110 - 59	AH156413	5C18	5	130 - 41
AH151333	3B12	1	80 - 9	AH154828	1H6	1	40 - 41	AH156418	1I13	4	40 - 73
AH151338	3C20	11	80 - 41	AH154828	1H8	1	40 - 43	AH156594	5B10	5	130 - 7
AH151339	3C20	4	80 - 41	AH154831	1F13	1	40 - 3	AH156595	5B10	5	130 - 7
AH151340	3C20	9	80 - 41	AH154836	1H22	19	40 - 57	AH156626	2B10	4	50 - 6
AH151342	3C24	6	80 - 45	AH154875	3B16	7	80 - 13	AH156642	3E16	2	90 - 37
AH151343	3C24	11	80 - 45	AH154920	5C4	27	130 - 27	AH156717	4D10	12	120 - 55
AH151344	3C20	1	80 - 41	AH154960	3I6	23	110 - 43	AH156773	2F19	1	60 - 37
AH151346	3C20	2	80 - 41	AH154961	3G25	14	110 - 11	AH156809	5B10	5	130 - 7
AH151347	3C24	4	80 - 45	AH154961	3I6	1	110 - 43	AH156821	2F22	2	60 - 40

NUMERICAL INDEX - CONTINUED

PART NO.	GRID	KEY	PAGE	PART NO.	GRID	KEY	PAGE	PART NO.	GRID	KEY	PAGE
AH156962	1H22	19	40 - 57	AH159054	3I10	14A	110 - 47	AH162068	4F10	4	121 - 19
AH156975	3I12	3	110 - 49	AH159054	3I10	14B	110 - 47	AH162073	3B14	5	80 - 11
AH157029	3D23	8	90 - 19	AH159061	3C22	8	80 - 43	AH162145	2I12	..	70 - 57
AH157030	3D23	2A	90 - 19	AH159078	3G4	2	90 - 75	AH162179	1I13	4	40 - 73
AH157031	3D23	2A	90 - 19	AH159078	3G6	1	90 - 77	AH162230	5B23	..	130 - 21
AH157032	3D23	2A	90 - 19	AH159079	3D7	10	90 - 3	AH162231	1F18	2	40 - 8
AH157051	3D23	1	90 - 19	AH159105	1I9	12	40 - 69	AH162231	1H20	4	40 - 55
AH157168	3I10	16	110 - 47	AH159185	3D23	8	90 - 19	AH162231	1J14	7	40 - 99
AH157306	3H4	4	110 - 15	AH159186	3D23	8	90 - 19	AH162252	4E6	1	120 - 75
AH157306	3H6	4	110 - 17	AH159187	3D23	8	90 - 19	AH162400	5C14	1	130 - 37
AH157325	1F17	16	40 - 7	AH159207	1F17	16	40 - 7	AH162432	2H9	13	70 - 28
AH157415	3I10	18	110 - 47	AH159352	1F17	12	40 - 7	AH162441	5B10	10	130 - 7
AH157491	3F2	3	90 - 47	AH159352	3E10	12	90 - 31	AH162469	4G8	29	121 - 41
AH157492	2H9	3	70 - 28	AH159365	4E2	3	120 - 71	AH162469	4G10	15	121 - 43
AH157492	3H4	4	110 - 15	AH159703	3H21	1	110 - 33	AH162573	2F21	19	60 - 39
AH157557	3F8	3	90 - 53	AH159962	1H24	20	40 - 59	AH162647	1G20	16	40 - 33B
AH157634	3F8	1	90 - 53	AH160053	3H4	1	110 - 15	AH162647	1G24	4	40 - 35B
AH157933	3G17	14	110 - 3	AH160054	3H4	1	110 - 15	AH162647	1H4	1	40 - 39
AH157934	3I6	6	110 - 43	AH160054	3H6	1	110 - 17	AH162647	1H6	11	40 - 41
AH157942	3I8	6	110 - 45	AH160107	1H8	21	40 - 43	AH162648	1G20	16	40 - 33B
AH157973	2H23	6	70 - 42	AH160107	1I5	3	40 - 65	AH162648	1G24	4	40 - 35B
AH158038	1J17	1	40 - 102	AH160115	3E4	1	90 - 25	AH162648	1H4	1	40 - 39
AH158038	1J18	1	40 - 103	AH160136	2E12	2	60 - 5	AH162650	1H22	19	40 - 57
AH158103	5C8	1	130 - 31	AH160136	2E14	1	60 - 7	AH162652	1H22	19	40 - 57
AH158104	5C8	1	130 - 31	AH160136	2E16	32	60 - 9	AH162661	1F17	16	40 - 7
AH158114	5C4	4	130 - 27	AH160469	3D23	3	90 - 19	AH162661	3E10	16	90 - 31
AH158142	3H4	17	110 - 15	AH160472	3D23	2B	90 - 19	AH162724	3H12	16	110 - 23
AH158142	3H6	17	110 - 17	AH160473	3D23	2B	90 - 19	AH162746	3D19	22A	90 - 15
AH158144	3H8	7	110 - 19	AH160474	3D23	2B	90 - 19	AH162746	3D19	22B	90 - 15
AH158148	3H10	1	110 - 21	AH160486	4C20	3	120 - 41	AH162785	2E4	3	50 - 77
AH158151	3C20	8	80 - 41	AH160622	5C4	27	130 - 27	AH162797	4B16	26	120 - 13
AH158179	3G2	19	90 - 73	AH160627	1I11	8	40 - 71	AH162821	4B16	26	120 - 13
AH158179	3G4	4	90 - 75	AH160745	2C11	28	50 - 35	AH162827	4B16	26	120 - 13
AH158180	3G2	20	90 - 73	AH160745	2C12	28	50 - 36	AH162914	1E16	24	30 - 3
AH158255	3B14	5	80 - 11	AH160785	2C5	2	50 - 29	AH163046	1J8	1	40 - 93
AH158264	3B24	1	80 - 21	AH160785	2C5	8	50 - 29	AH163047	1J8	1	40 - 93
AH158265	3B24	14	80 - 21	AH160785	2C5	..	50 - 29	AH163048	1J8	1	40 - 93
AH158266	3B24	14	80 - 21	AH160785	2C7	10	50 - 31	AH163049	1J8	1	40 - 93
AH158296	1B15	4	20 - 14	AH160785	2C7	..	50 - 31	AH163345	1F13	1	40 - 3
AH158310	1I7	4	40 - 67	AH160785	2C9	4	50 - 33	AH163527	1F17	7	40 - 7
AH158328	3H23	34	110 - 35	AH160785	2C9	8	50 - 33	AH163527	3E10	7	90 - 31
AH158472	1G18	16	40 - 33	AH160785	2C9	12	50 - 33	AH163686	4H4	26	121 - 61
AH158472	1G20	16	40 - 33B	AH160785	2C9	15	50 - 33	AH163708	3F12	8	90 - 57
AH158472	1G22	4	40 - 35	AH160785	2C9	19	50 - 33	AH163802	4F4	20	121 - 13
AH158472	1G24	4	40 - 35B	AH160785	2C9	..	50 - 33	AH163920	4B16	..	120 - 13
AH158472	1H2	1	40 - 37	AH160785	2C11	..	50 - 35	AH163921	4B16	..	120 - 13
AH158472	1H4	1	40 - 39	AH160785	2C12	..	50 - 36	AH163931	4C16	12	120 - 37
AH158472	1H6	11	40 - 41	AH160785	2E4	3	50 - 77	AH163931	4G14	3	121 - 47
AH158487	3C14	8	80 - 35	AH160785	2E4	6	50 - 77	AH163931	5E6	3	170 - 5
AH158595	4E22	37	121 - 7	AH160994	4J17	17	125 - 49	AH163979	1H22	17	40 - 57
AH158595	4E24	18	121 - 9	AH161400	4B16	17	120 - 13	AH163979	5C18	3A	130 - 41
AH158604	1I9	10	40 - 69	AH161405	4B16	17	120 - 13	AH163979	5C18	7	130 - 41
AH158635	3H23	16	110 - 35	AH161407	4B16	17	120 - 13	AH164364	3B16	7	80 - 13
AH158635	4J9	10	125 - 40	AH161409	4B16	17	120 - 13	AH164497	1J8	12	40 - 93
AH158635	5B10	10	130 - 7	AH161410	4B16	17	120 - 13	AH164570	4J8	..	125 - 39
AH158660	2B14	1	50 - 10	AH161485	2E16	31	60 - 9	AH164609	5C19	10	130 - 42
AH158662	2B14	1	50 - 10	AH161521	3B24	1	80 - 21	AH164841	5D9	4	130 - 59
AH158880	5D9	45	130 - 59	AH161818	4B16	..	120 - 13	AH164868	5B23	20	130 - 21
AH158880	5E6	4	170 - 5	AH161838	1G8	4	40 - 23	AH164868	5B23	24	130 - 21
AH158957	3D23	2A	90 - 19	AH161839	1G8	3	40 - 23	AH165877	1J17	1	40 - 102
AH159023	1F4	3	30 - 15	AH161885	2H9	13	70 - 28	AH165877	1J18	1	40 - 103
AH159026	3G2	19	90 - 73	AH161919	1F11	3	40 - 1	AH165936	4H14	18	121 - 71
AH159026	3G4	4	90 - 75	AH161925	3F12	1	90 - 57	AH165937	4H14	30	121 - 71
AH159053	3I8	19	110 - 45	AH161926	3E8	2	90 - 29	AH165990	3D25	16	90 - 21
AH159053	3I10	14A	110 - 47	AH161927	3E24	13	90 - 45	AH166546	1H14	3	40 - 49
AH159053	3I10	14B	110 - 47	AH161928	3E16	2	90 - 37	AH166713	3C8	1	80 - 29
AH159054	3I8	19	110 - 45	AH161930	1J6	4	40 - 91	AH166713	5C6	30	130 - 29

NUMERICAL INDEX - CONTINUED

PART NO.	GRID	KEY	PAGE	PART NO.	GRID	KEY	PAGE	PART NO.	GRID	KEY	PAGE
AH166714	3C10	1	80 - 31	AH89557	1G6	4	40 - 21	AH96317	3B12	8	80 - 9
AH166714	5C6	18	130 - 29	AH89557	1G20	27	40 - 33B	AH96317	3F19	11	90 - 65
AH166910	2B10	4	50 - 6	AH89557	1G22	12	40 - 35	AH96317	3F23	3	90 - 69
AH166953	2H20	12	70 - 39	AH89557	1G24	12	40 - 35B	AH96317	3G2	10	90 - 73
AH167132	4H6	3	121 - 63	AH89557	1H2	6	40 - 37	AH96317	4J23	2	125 - 55
AH167433	5C10	31	130 - 33	AH89557	1H4	6	40 - 39	AH96317	4J25	2	125 - 57
AH167434	2G4	4	60 - 47	AH89557	1H6	2	40 - 41	AH96345	3G17	21	110 - 3
AH167553	2I21	..	70 - 66	AH89557	1H8	12	40 - 43	AH96585	5C10	5	130 - 33
AH167582	2G5	1	60 - 48	AH89557	1H12	15	40 - 47	AH97031	4F12	7	121 - 21
AH167584	2G4	4	60 - 47	AH89557	1H14	14	40 - 49	AH97031	4G6	10	121 - 39
AH167847	5D6	5	130 - 55	AH89557	1H14	23	40 - 49	AH97031	4J12	8	125 - 43
AH167848	5D6	6	130 - 55	AH89557	1H16	5	40 - 51	AH97280	2F12	11	60 - 29
AH167934	1F17	16	40 - 7	AH89557	1H16	13	40 - 51	AH97280	2H8	2	70 - 27
AH167934	3B10	22A	80 - 7	AH89557	1H20	2	40 - 55	AH97340	3H2	2	110 - 13
AH167934	3E10	16	90 - 31	AH89557	1H22	14	40 - 57	AH97642	3G17	30	110 - 3
AH168093	5C8	..	130 - 31	AH89557	1H24	6	40 - 59	AH97642	3I20	19	110 - 57
AH168158	4E8	3	120 - 77	AH89557	1H24	18	40 - 59	AH97920	2F4	34	60 - 21
AH168158	4E8	5	120 - 77	AH89557	1I11	10	40 - 71	AH97920	3F21	34	90 - 67
AH168158	4E8	13	120 - 77	AH89557	1J6	6	40 - 91	AH98118	5C19	1	130 - 42
AH168231	1G24	14B	40 - 35B	AH89557	1J12	6	40 - 97	AH98176	4J15	7	125 - 46
AH168300	5C10	37	130 - 33	AH89557	2E20	4	60 - 13	AL14674	4D4	22	120 - 49
AH168683	4F2	18	121 - 11	AH89557	3D7	14	90 - 3	AL14674	4G12	50	121 - 45
AH168934	3B10	22B	80 - 7	AH89557	3H21	19	110 - 33	AL2976T	1I21	20	40 - 81
AH169220	4H4	35	121 - 61	AH89557	5D21	2	160 - 5	AM103480	4I2	4	125 - 9
AH169233	4J8	25	125 - 39	AH89557	5D21	5	160 - 5	AM108845	1G6	18	40 - 21
AH20849	1E24	15	30 - 11	AH90963	5C10	3	130 - 33	AM53945	1H18	27	40 - 53
AH20868	2B19	19	50 - 17	AH90990	1E20	13	30 - 7	AN102382	3G23	3	110 - 9
AH21815	5B23	19	130 - 21	AH90990	1G2	36	40 - 17	AN102383	3G23	1	110 - 9
AH64610	2G5	1	60 - 48	AH90990	1H2	5	40 - 37	AN102383	3H15	6	110 - 26
AH75167	2G17	2	70 - 10	AH90990	1H4	5	40 - 39	AN113330	3G19	29	110 - 5
AH75167	2G19	1	70 - 12	AH90990	1H8	8	40 - 43	AN122493	2C9	28	50 - 33
AH75167	2G21	7	70 - 15	AH90990	1H12	15	40 - 47	AN122494	2C14	11	50 - 39
AH75167	4I22	15	125 - 29	AH90990	1H16	18	40 - 51	AN122497	2C17	11	50 - 42
AH76882	4I12	9	125 - 19	AH90990	1I9	6	40 - 69	AN122498	2C11	5	50 - 35
AH77279	1J12	3	40 - 97	AH90990	2D18	15	50 - 67	AN122498	2C12	5	50 - 36
AH77279	3H21	19	110 - 33	AH90990	3D7	14	90 - 3	AN122499	2C14	12	50 - 39
AH77279	4F10	11	121 - 19	AH90990	3G11	26	90 - 83	AN122502	2C9	22	50 - 33
AH77714	5D12	8	130 - 63	AH90990	4E24	10	121 - 9	AN122506	2C9	13	50 - 33
AH77724	1H14	16	40 - 49	AH90990	4F2	21	121 - 11	AN122507	2C9	34	50 - 33
AH77724	2B16	22	50 - 13	AH93110	3G19	35	110 - 5	AN122507	2C16	19	50 - 41
AH77724	3E12	22	90 - 33	AH93318	4H2	12	121 - 59	AN122509	2C9	35	50 - 33
AH77724	3G2	13	90 - 73	AH93892	2F21	9	60 - 39	AN122509	2C16	18	50 - 41
AH77869	1E20	4	30 - 7	AH94450	3G25	11	110 - 11	AN122518	2C9	32	50 - 33
AH77869	1G22	5	40 - 35	AH94450	3H2	10	110 - 13	AN122518	2I2	21	70 - 45
AH77869	1G24	5	40 - 35B	AH94450	4G12	14	121 - 45	AN142665	3I12	6	110 - 49
AH77869	2G19	7	70 - 12	AH94450	4G22	10	121 - 55	AN15237	4H2	8	121 - 59
AH77869	2H8	11	70 - 27	AH94450	5B25	5	130 - 23	AN15237	5B25	8	130 - 23
AH77869	3G2	9	90 - 73	AH94661	5C19	3	130 - 42	AN193084	2C14	25	50 - 39
AH77884	5B6	31	130 - 3	AH94853	4F12	21	121 - 21	AN193085	2C5	23	50 - 29
AH78124	2G19	8	70 - 12	AH94854	4G2	15	121 - 35	AN193085	2C5	27	50 - 29
AH80335	3D9	7	90 - 5	AH96244	4F10	19	121 - 19	AN193085	2C5	28	50 - 29
AH80335	3D17	15	90 - 13	AH96292	1B9	14	20 - 7	AN193085	2C16	44	50 - 41
AH80335	5C4	11	130 - 27	AH96317	1G4	4	40 - 19	AN272356	2C17	9	50 - 42
AH80916	2B9	10	50 - 5	AH96317	1G6	11	40 - 21	AN274375	2C9	..	50 - 33
AH84695	2D7	5	50 - 56	AH96317	1G18	17	40 - 33	AN274375	2C10	2	50 - 34
AH85415	4H25	17	125 - 7	AH96317	1G20	17	40 - 33B	AN274375	2C10	4	50 - 34
AH86866	2G5	8	60 - 48	AH96317	1G22	18	40 - 35	AN274375	2C10	..	50 - 34
AH86897	4J9	12	125 - 40	AH96317	1G24	18	40 - 35B	AN71222	4E8	7	120 - 77
AH87141	4F12	30	121 - 21	AH96317	1H2	9	40 - 37	AR104516	1G16	11	40 - 31
AH87272	3B12	26	80 - 9	AH96317	1H4	9	40 - 39	AR104650	1D8	13	24 - 31
AH87765	4J9	10	125 - 40	AH96317	1H16	4	40 - 51	AR21839	5D2	26	130 - 51
AH87806	1F21	3	40 - 11	AH96317	1H16	13	40 - 51	AR21969	1C4	..	24 - 2
AH89486	1G6	11	40 - 21	AH96317	1H22	15	40 - 57	AR28403	1F21	11	40 - 11
AH89486	3H4	16	110 - 15	AH96317	1I6	2	40 - 66	AR41785	1C4	..	24 - 2
AH89557	1F6	7	30 - 17	AH96317	2F2	11	60 - 19	AR41870	1C4	..	24 - 2
AH89557	1F13	4	40 - 3	AH96317	2H2	1	70 - 21	AR42591	1H24	12	40 - 59
AH89557	1G4	2	40 - 19	AH96317	2I18	8	70 - 63	AR44402	1C5	1	24 - 3

1K25

9410 MAXIMIZER™ COMBINE

NUMERICAL INDEX - CONTINUED

PART NO.	GRID	KEY	PAGE	PART NO.	GRID	KEY	PAGE	PART NO.	GRID	KEY	PAGE
AR48751	1B15	4	20-14	AT63272	2C7	4	50-31	A4741R	3F16	3	90-61
AR49352	1J6	9	40-91	AT63272	2C7	5	50-31	A4827R	1C11	14	24-9
AR50411	1B18	1	20-17	AT63272	2C7	9	50-31	A4827R	1E9	17	24-59
AR51481	2F2	1	60-19	AT66481	1G12	7	40-27	A50743	1J12	7	40-97
AR51481	3F19	1	90-65	AT66481	1G12	8	40-27	A50743	3H25	4	110-37
AR54749	1C5	4	24-3	AT66481	1G12	9	40-27	A50744	1B5	27	20-3
AR55649	1111	8	40-71	AT81268	1E18	13	30-5	A51212	4B16	..	120-13
AR56766	1G2	32	40-17	AT81476	1E18	12	30-5	A51212	4H16	6	121-73
AR62399	1B18	7	20-17	AT81477	1E18	10	30-5	A51212	5B25	16	130-23
AR62407	1F19	1	40-9	AT81478	1E18	11	30-5	BH71710	4J8	..	125-39
AR63218	1C4	1	24-2	AT85197	2J9	10	70-79	BH71710	5B6	..	130-3
AR63219	1C4	1	24-2	AU40993	2D7	2	50-56	BH71710	5B8	..	130-5
AR63222	1C4	1	24-2	AU43853	1G12	4	40-27	BH71727	2G4	..	60-47
AR63979	1C4	1	24-2	AU43857	1G12	3	40-27	BH71727	2G5	..	60-48
AR65005	1J3	1	40-88	AW12765	2E19	1	60-12	BH71728	2G4	..	60-47
AR65006	1J3	2	40-88	AZ10044	1B5	36	20-3	BH71728	2G5	..	60-48
AR65507	1C12	9	24-10	AZ10044	4D4	5	120-49	BH71735	2G4	..	60-47
AR70106	1E24	13	30-11	AZ10044	4J17	4	125-49	BH71735	2G5	..	60-48
AR70107	1E24	17	30-11	AZ10044	4J17	12	125-49	BH71746	2C18	..	50-43
AR71107	3E18	1	90-39	AZ10044	5B6	3	130-3	BH71746	2D7	..	50-56
AR71108	3E18	18	90-39	AZ10045	4J4	3	125-35	BH71746	2D8	..	50-57
AR71109	3E18	19	90-39	AZ10045	4J14	13	125-45	BH71746	2D21	..	50-70
AR73144	1I9	16	40-69	AZ10045	5B6	9	130-3	BH71746	2D24	..	50-73
AR73234	1E24	14	30-11	AZ10045	5B14	2	130-11	BH71746	2E6	..	50-79
AR75693	2E24	17	60-17	AZ19427	3I10	15	110-47	BH71748	2G5	..	60-48
AR79548	1G14	1	40-29	AZ19427	4E10	5	120-79	BH71749	2G5	..	60-48
AR79549	1G14	17	40-29	AZ20216	4G24	15	121-57	BH71883	2C18	..	50-43
AR79550	1G14	11	40-29	AZ42315	3E6	4	90-27	BH71883	2D8	..	50-57
AR85519	1D8	1	24-31	AZ49140	3E4	2	90-25	BH71883	2D21	..	50-70
AR86539	2C22	3	50-47	AZ49144	2H23	2	70-42	BH71883	2D24	..	50-73
AR86539	2D4	3	50-53	AZ51851	2I2	36	70-45	BH71883	2E6	..	50-79
AR86603	1F2	1	30-13	A1402R	4E22	35	121-7	BH71887	1F17	..	40-7
AR90369	4G10	8	121-43	A15146	5B25	18	130-23	BH71887	1H14	..	40-49
AR91793	1119	42	40-79	A15147	3C4	16	80-25	BH71887	3E10	..	90-31
AR94522	2G21	6	70-15	A15147	3H10	6	110-21	BH71912	2B10	..	50-6
AR94522	2G25	32	70-19	A15147	4E12	2	120-81	BH71935	4F18	..	121-27
AR94522	4I22	16	125-29	A15147	4E13	1	120-82	BH71935	4F20	..	121-29
AR94761	2B19	6	50-17	A15147	5C8	3	130-31	BH71936	4F14	..	121-23
AT104113	1E24	1	30-11	A15898	2G25	36	70-19	BH71948	1G10	..	40-25
AT105289	1B11	13	20-9	A22724	5D4	9	130-53	BH78337	1H20	..	40-55
AT106413	1F6	4	30-17	A24915	1B20	5	20-19	BH78343	3E16	..	90-37
AT130104	1J10	1	40-95	A25695	3H2	15	110-13	BH78374	2H10	..	70-29
AT135485	1F21	13	40-11	A25842	1B20	3	20-19	BH78623	4G14	..	121-47
AT135485	1F21	17	40-11	A27238	1B20	3	20-19	BH78881	2D24	..	50-73
AT13740	1C15	26	24-13	A2913R	1B16	3	20-15	BH78882	2F18	..	60-36
AT13740	1E16	13	30-3	A2913R	5E10	2	170-9	BH78886	2H2	..	70-21
AT13740	1E20	16	30-7	A31867	3B20	28	80-17	BH79019	2G17	..	70-10
AT13740	1F4	6	30-15	A31867	3H2	9	110-13	BH79019	2G19	..	70-12
AT141987	1G12	8	40-27	A31867	4B22	21	120-19	BH79032	1H24	..	40-59
AT146272	4F6	5	121-15	A31869	5D9	7	130-59	BH79118	1H18	..	40-53
AT162597	1F6	9	30-17	A31870	3H17	3	110-29	BH79199	2F25	..	60-43
AT18904	1B20	2	20-19	A31871	3H17	3	110-29	BH79239	4F16	..	121-25
AT18904	1E16	4	30-3	A31871	5D9	15	130-59	BH79239	4F18	..	121-27
AT18904	1E20	5	30-7	A364R	1D13	7	24-36	BH79485	1I13	..	40-73
AT18904	1J8	5	40-93	A37576	4D18	5	120-63	BH79486	4H2	..	121-59
AT207952	1I1	13	40-61	A37576	4D20	10	120-65	BH79539	1J8	..	40-93
AT22070	3E2	1	90-23	A37576	4D24	5	120-69	BH79543	3H8	..	110-19
AT22073	3E2	3	90-23	A3917R	2C14	24	50-39	BH79571	4H4	..	121-61
AT25226	2B10	5	50-6	A44990	3H6	36	110-17	BH79711	1F21	..	40-11
AT25226	2G4	9	60-47	A44990	4J8	34	125-39	BH79815	4I8	..	125-15
AT25226	2G5	7	60-48	A4655R	2H24	1	70-43	BH79900	1I13	..	40-73
AT26407	1G2	34	40-17	A4655R	2I2	1	70-45	BH79900	3H14	..	110-25
AT28975	4E18	16	121-3	A4655R	2I4	1	70-47	BH79900	3H15	..	110-26
AT39043	1G18	1	40-33	A4655R	2I5	1	70-49	BH79902	1I13	..	40-73
AT39043	1G20	1	40-33B	A4655R	2I7	21	70-51	BH79903	2D7	..	50-56
AT39141	1B11	1	20-9	A4655R	2I9	23	70-53	BH79904	2D21	..	50-70
AT40603	2B23	1	50-21	A4730R	4F2	20	121-11	BH79904	2G2	..	60-45

NUMERICAL INDEX - CONTINUED

PART NO.	GRID	KEY	PAGE	PART NO.	GRID	KEY	PAGE	PART NO.	GRID	KEY	PAGE
BH79964	2D12	..	50 - 61	BH81356	1F17	..	40 - 7	E47782	4B24	10	120 - 21
BH79964	2D16	..	50 - 65	BH81360	3I18	..	110 - 55	E50096	4B10	11	120 - 7
BH80007	4H25	..	125 - 7	BH81383	2G25	..	70 - 19	E53699	3G19	12	110 - 5
BH80007	4I2	..	125 - 9	BH81383	2H4	..	70 - 23	E55662	5C14	8	130 - 37
BH80007	4J2	..	125 - 33	BH81390	3I8	..	110 - 45	E55758	2C24	6	50 - 49
BH80037	3C4	..	80 - 25	BH81484	3D23	..	90 - 19	E56866	4F6	15	121 - 15
BH80037	3C18	..	80 - 39	BH81506	2B12	..	50 - 8	E58183	3E24	8	90 - 45
BH80063	4H21	..	125 - 3	BH81578	1G14	..	40 - 29	E59406	4G24	10	121 - 57
BH80063	4H23	..	125 - 5	BH81704	2B12	..	50 - 8	E61791	2I14	1	70 - 59
BH80066	5B6	..	130 - 3	BH81705	2B12	..	50 - 8	E61791	4I24	1	125 - 31
BH80073	4H21	..	125 - 3	BP12946	3I18	3	110 - 55	E62089	2I2	6	70 - 45
BH80073	4H23	..	125 - 5	BP12946	3I22	4	110 - 59	E62089	2I4	6	70 - 47
BH80073	4H25	..	125 - 7	BP13616	4G24	13	121 - 57	E62089	2I5	6	70 - 49
BH80073	4I2	..	125 - 9	BP13620	3G19	22	110 - 5	E62094	2I5	14	70 - 49
BH80112	4F14	..	121 - 23	BP13620	4G10	1	121 - 43	E62892	2I7	6	70 - 51
BH80124	4H2	..	121 - 59	B10604	4G6	3	121 - 39	E62917	2I4	23	70 - 47
BH80124	4H6	..	121 - 63	B27370	5C4	12	130 - 27	E62917	2I9	13	70 - 53
BH80124	4H8	..	121 - 65	B27835	4H14	27	121 - 71	E62917	2I9	28	70 - 53
BH80124	4H10	..	121 - 67	B28970	4H14	21	121 - 71	E62942	2H24	2	70 - 43
BH80124	4H16	..	121 - 73	B2984R	1B12	4	20 - 10	E62942	2I2	2	70 - 45
BH80124	4H21	..	125 - 3	B2984R	4G24	14	121 - 57	E62942	2I4	2	70 - 47
BH80124	4H23	..	125 - 5	B3118R	3G17	8	110 - 3	E62942	2I5	2	70 - 49
BH80153	4H2	..	121 - 59	B3118R	3G19	13	110 - 5	E62942	2I7	19	70 - 51
BH80153	4H4	..	121 - 61	B3118R	4G2	8	121 - 35	E62942	2I9	21	70 - 53
BH80153	4H8	..	121 - 65	B32564	2E18	23	60 - 11	E62951	3G23	6	110 - 9
BH80153	4H14	..	121 - 71	B32630	1I5	2	40 - 65	E62951	3H15	5	110 - 26
BH80153	4H21	..	125 - 3	B32630	3C16	12	80 - 37	E64256	1G10	4	40 - 25
BH80153	4H23	..	125 - 5	B3690R	2F2	36	60 - 19	E64256	2E10	36	60 - 3
BH80263	4I4	..	125 - 11	B3690R	3F19	36	90 - 65	E64256	3B10	8	80 - 7
BH80263	4I6	..	125 - 13	CD16284	1D4	7	24 - 27	E64256	5D9	14	130 - 59
BH80263	4I8	..	125 - 15	CE17940	4E22	23	121 - 7	E65288	2C5	..	50 - 29
BH80263	4I10	..	125 - 17	CE18015	5B23	17	130 - 21	E65288	2C7	..	50 - 31
BH80263	4I12	..	125 - 19	CE18180	4E22	22	121 - 7	E65288	2C9	..	50 - 33
BH80263	4I18	..	125 - 25	CE18180	4E22	24	121 - 7	E65288	2C11	28	50 - 35
BH80263	4I20	..	125 - 27	CE18181	4E22	24	121 - 7	E65288	2C12	25	50 - 36
BH80263	4I22	..	125 - 29	CE18201	2B21	1	50 - 19	E65288	2E4	3	50 - 77
BH80263	4I24	..	125 - 31	CE18206	2E18	22	60 - 11	E65288	2E4	6	50 - 77
BH80264	4I4	..	125 - 11	CE18400	4F8	9	121 - 17	E65288	2I12	2A	70 - 57
BH80264	4I6	..	125 - 13	C10263	4J9	10	125 - 40	E66618	2I2	24	70 - 45
BH80264	4I8	..	125 - 15	C10263	5B10	10	130 - 7	E66619	2I2	19	70 - 45
BH80264	4I10	..	125 - 17	C16071	2F18	..	60 - 36	E66620	2I2	18	70 - 45
BH80264	4I12	..	125 - 19	C3203E	3B20	12	80 - 17	E81185	3H12	9	110 - 23
BH80264	4I18	..	125 - 25	C3936E	2B23	2	50 - 21	E82510	5E16	4	170 - 15
BH80264	4I20	..	125 - 27	DE18923	4E22	40	121 - 7	E82510	5F5	23	170 - 29
BH80264	4I22	..	125 - 29	DE18970	5C19	3	130 - 42	E82514	3I18	7	110 - 55
BH80264	4I24	..	125 - 31	DE19018	4E22	10	121 - 7	E82514	3I22	9	110 - 59
BH80267	2H12	..	70 - 31	DE19111	5B23	14	130 - 21	E82575	5F2	4	170 - 25
BH80337	5B18	..	130 - 15	DE19111	5B23	20	130 - 21	E82575	5F5	23	170 - 29
BH80337	5B21	..	130 - 18	DE19111	5B23	24	130 - 21	F3220R	1G10	22	40 - 25
BH80671	3D23	..	90 - 19	DE19111	5B23	25	130 - 21	F3220R	1G12	21	40 - 27
BH80673	3D23	..	90 - 19	E10018	3B7	2	80 - 4	GG310-30411	2I12	1	70 - 57
BH81040	4H8	..	121 - 65	E10018	4C24	19	120 - 45	HZ5621H	3C18	14	80 - 39
BH81052	3E2	..	90 - 23	E10018	4G12	42	121 - 45	HZ5621H	4B12	7	120 - 9
BH81076	3F2	..	90 - 47	E10018	4J4	4	125 - 35	H100245	3I6	22	110 - 43
BH81079	2G4	..	60 - 47	E10018	4J9	5	125 - 40	H100246	3I6	21	110 - 43
BH81080	2G4	..	60 - 47	E10018	4J14	14	125 - 45	H100247	3I6	19	110 - 43
BH81081	2G4	..	60 - 47	E10018	5B14	3	130 - 11	H101297	4J8	15	125 - 39
BH81082	2G4	..	60 - 47	E12305	4F18	22	121 - 27	H101297	5B8	1	130 - 5
BH81084	5D19	..	160 - 3	E12379	4C16	22	120 - 37	H101436	5E5	3	170 - 4
BH81122	5B18	..	130 - 15	E12379	4E8	11	120 - 77	H101448	3I6	12	110 - 43
BH81122	5B21	..	130 - 18	E12379	4J23	4	125 - 55	H101677	3H17	8	110 - 29
BH81124	5B18	..	130 - 15	E12379	4J25	6	125 - 57	H101813	1I1	3	40 - 61
BH81124	5B21	..	130 - 18	E12379	5D14	1	130 - 65	H101813	5E3	1	170 - 2
BH81159	3E19	..	90 - 40	E12379	5D16	1	130 - 67	H101878	4E20	5	121 - 5
BH81165	5D7	..	130 - 56	E18993	4F24	6	121 - 33	H102206	2F21	4	60 - 39
BH81191	4G16	..	121 - 49	E46113	4H4	19	121 - 61	H102533	3B7	4	80 - 4
BH81255	1J16	..	40 - 101	E47782	4B22	15	120 - 19	H102533	4C24	21	120 - 45

NUMERICAL INDEX - CONTINUED

PART NO.	GRID	KEY	PAGE	PART NO.	GRID	KEY	PAGE	PART NO.	GRID	KEY	PAGE
H102533	4F12	36	121 - 21	H108725	2F4	24	60 - 21	H112567	2D10	14	50 - 59
H102533	4G12	43	121 - 45	H108725	3F21	24	90 - 67	H112567	2D10	21	50 - 59
H102909	5D6	7	130 - 55	H108745	2I16	10	70 - 61	H112567	2D12	3	50 - 61
H103167	2B21	8	50 - 19	H108822	2F2	34	60 - 19	H112567	2D14	20	50 - 63
H103264	1B5	37	20 - 3	H108822	3F19	34	90 - 65	H112567	2D20	13	50 - 69
H103264	4C22	15	120 - 43	H108889	3I20	4	110 - 57	H112567	2D21	5	50 - 70
H103264	4J17	5	125 - 49	H109046	2F8	18	60 - 25	H112567	2E6	5	50 - 79
H103264	4J17	13	125 - 49	H109046	2G25	23	70 - 19	H112567	2F6	11	60 - 23
H103264	5B6	4	130 - 3	H109046	2H20	6	70 - 39	H112567	2F8	21	60 - 25
H103264	5C25	10	130 - 49	H109254	2E14	15	60 - 7	H112567	2G21	11	70 - 15
H103264	5D2	15	130 - 51	H109716	2E10	26	60 - 3	H112567	2G23	15	70 - 17
H103265	4E10	4	120 - 79	H109855	3H17	7	110 - 29	H112567	2H18	6	70 - 37
H103265	5D6	8	130 - 55	H110168	4F24	2	121 - 33	H112567	2H20	10	70 - 39
H103265	5D9	33	130 - 59	H110178	4E24	1	121 - 9	H112567	2I24	4	70 - 69
H103543	2G4	1	60 - 47	H110229	2F4	6	60 - 21	H112567	4I20	5	125 - 27
H103543	2G5	3	60 - 48	H110229	3F21	6	90 - 67	H112567	4I22	7	125 - 29
H104075	2E10	31	60 - 3	H110232	2E10	14	60 - 3	H112877	4F18	21	121 - 27
H104418	1G22	15	40 - 35	H110237	4F12	33	121 - 21	H112910	2E14	7	60 - 7
H104418	1G24	15	40 - 35B	H110310	2F4	5	60 - 21	H112911	2E14	3	60 - 7
H104418	2B23	24	50 - 21	H110310	3F21	5	90 - 67	H112911	2E14	11	60 - 7
H104793	1G8	3	40 - 23	H110337	4F18	35	121 - 27	H113053	5C10	9	130 - 33
H104793	4H12	5	121 - 69	H110462	4F18	26	121 - 27	H113063	4F18	27	121 - 27
H104794	1G8	3	40 - 23	H110521	4F18	24	121 - 27	H113196	2D24	17	50 - 73
H104794	4H12	4	121 - 69	H110539	2B19	31	50 - 17	H113208	4F18	19	121 - 27
H104795	1G8	4	40 - 23	H110539	2B21	15	50 - 19	H113238	4F18	23	121 - 27
H104795	4C24	7	120 - 45	H110542	4F20	6	121 - 29	H113402	2F4	19	60 - 21
H104796	1G8	4	40 - 23	H110700	2F4	21	60 - 21	H113402	3F21	19	90 - 67
H104796	4C24	8	120 - 45	H110700	3F21	21	90 - 67	H113404	2F4	18	60 - 21
H104855	1I17	9	40 - 77	H110728	3G17	15	110 - 3	H113404	3F21	18	90 - 67
H105005	2E10	32	60 - 3	H110800	4E24	13	121 - 9	H113625	4C16	15	120 - 37
H105005	2E12	14	60 - 5	H110800	4F2	5	121 - 11	H113625	4D4	20	120 - 49
H105519	4J8	16	125 - 39	H110801	4E24	15	121 - 9	H113626	4C16	17	120 - 37
H105578	4G12	57	121 - 45	H110801	4F2	7	121 - 11	H113626	4D4	23	120 - 49
H105584	3H17	15	110 - 29	H110812	2F2	13	60 - 19	H113627	4F18	9	121 - 27
H105590	3H17	9	110 - 29	H110812	3F19	13	90 - 65	H113858	2F2	4	60 - 19
H106000	1J8	4	40 - 93	H110842	3G13	1	90 - 85	H113858	3F19	4	90 - 65
H106073	3G19	25	110 - 5	H110922	3G17	10	110 - 3	H113863	2F2	16	60 - 19
H106246	1F25	6	40 - 15	H110922	3I20	2	110 - 57	H113863	3F19	16	90 - 65
H107389	4G2	16	121 - 35	H110923	5F5	3	170 - 29	H113864	2F4	14	60 - 21
H107504	2B11	3	50 - 7	H111041	4F18	2	121 - 27	H113864	3F21	14	90 - 67
H107504	2B13	1	50 - 9	H111042	4F18	28	121 - 27	H113892	3G25	9	110 - 11
H107566	2F4	4	60 - 21	H111234	2E12	13	60 - 5	H113946	4F18	32	121 - 27
H107566	3D15	18	90 - 11	H111260	4F18	1	121 - 27	H113947	4F18	7	121 - 27
H107566	3F21	4	90 - 67	H111261	4F18	1	121 - 27	H114001	4F20	9	121 - 29
H107567	2F4	33	60 - 21	H111262	4F18	1	121 - 27	H114020	1J2	11	40 - 87
H107567	3F21	33	90 - 67	H111364	1F15	2	40 - 5	H114020	4I12	3	125 - 19
H107570	2F4	50	60 - 21	H111364	1F15	25	40 - 5	H114020	4I12	10	125 - 19
H107570	3F21	50	90 - 67	H111364	1J6	2	40 - 91	H114038	1F13	3	40 - 3
H107581	2F4	12	60 - 21	H111364	3G13	2	90 - 85	H114038	1G6	9	40 - 21
H107581	3F21	12	90 - 67	H111378	2G10	1	70 - 3	H114038	3D21	12	90 - 17
H107582	2F4	28	60 - 21	H111474	4E22	30	121 - 7	H114038	3G13	5	90 - 85
H107582	3F21	28	90 - 67	H111478	3D23	7	90 - 19	H114046	3F25	3	90 - 71
H107584	2F4	29	60 - 21	H111541	2B10	..	50 - 6	H114100	4G10	3	121 - 43
H107584	3F21	29	90 - 67	H111541	2G4	..	60 - 47	H114134	4G8	24	121 - 41
H107586	2F4	51	60 - 21	H111541	5F7	2	170 - 31	H114142	3F23	11	90 - 69
H107586	3F21	51	90 - 67	H111705	3F12	12	90 - 57	H114226	4F6	13	121 - 15
H107687	2F2	12	60 - 19	H111705	3G13	3	90 - 85	H114227	4F6	13	121 - 15
H107687	2F4	8	60 - 21	H111706	1F21	2	40 - 11	H114228	4F6	13	121 - 15
H107687	3F19	12	90 - 65	H111706	1F25	14	40 - 15	H114270	5F3	13	170 - 26
H107687	3F21	8	90 - 67	H111706	3F12	3	90 - 57	H114320	5F3	13	170 - 26
H107793	3G17	3	110 - 3	H111706	3G13	4	90 - 85	H114330	2E12	11	60 - 5
H108291	2H6	12	70 - 25	H111730	2D12	2	50 - 61	H114331	2E12	10	60 - 5
H108604	2B10	..	50 - 6	H111730	2D14	21	50 - 63	H114395	5D4	10	130 - 53
H108604	2G4	..	60 - 47	H111730	2F8	20	60 - 25	H114411	1H14	8	40 - 49
H108604	5F7	2	170 - 31	H111730	2H20	11	70 - 39	H114432	1B20	15	20 - 19
H108604	5F7	4	170 - 31	H112162	2G12	14	70 - 5	H114432	2G23	10	70 - 17
H108673	3G17	7	110 - 3	H112567	1B20	12	20 - 19	H114523	3D9	4	90 - 5

NUMERICAL INDEX - CONTINUED

PART NO.	GRID	KEY	PAGE	PART NO.	GRID	KEY	PAGE	PART NO.	GRID	KEY	PAGE
H114525	3D9	5	90 - 5	H116894	2H9	5	70 - 28	H120499	3C16	14	80 - 37
H114535	4H8	9	121 - 65	H117239	1F15	12	40 - 5	H120499	5C4	10	130 - 27
H114536	4H8	14	121 - 65	H117239	1G16	19	40 - 31	H120659	3E6	22	90 - 27
H114537	4H8	10	121 - 65	H117692	4H25	8	125 - 7	H120800	4C12	7	120 - 33
H114538	4H8	13	121 - 65	H117694	4H25	12	125 - 7	H120801	4C12	6	120 - 33
H114687	4F18	34	121 - 27	H117696	4H25	5	125 - 7	H120847	2F6	26	60 - 23
H114688	4F18	38	121 - 27	H117703	4F18	15	121 - 27	H120847	2F8	4	60 - 25
H114689	4F18	44	121 - 27	H117937	2H6	5	70 - 25	H120847	2F8	15	60 - 25
H114738	5D9	42	130 - 59	H117952	1H8	9	40 - 43	H120847	2G25	31	70 - 19
H114818	1B7	1	20 - 5	H117952	3G11	10	90 - 83	H120847	2H2	17	70 - 21
H114865	2D20	11	50 - 69	H118082	4F18	12	121 - 27	H120847	2H16	7	70 - 35
H114865	2D21	4	50 - 70	H118166	4C12	3	120 - 33	H120847	4I20	18	125 - 27
H114865	2E6	6	50 - 79	H118422	1H14	19	40 - 49	H121110	1J12	11	40 - 97
H114865	2H18	7	70 - 37	H118425	1H22	20	40 - 57	H121134	4F24	4	121 - 33
H114873	5D2	5	130 - 51	H118426	1G18	6	40 - 33	H121163	2D20	21	50 - 69
H114897	1B20	13	20 - 19	H118426	1G20	6	40 - 33B	H121163	2F10	5	60 - 27
H114897	2D10	5	50 - 59	H118426	1H2	8	40 - 37	H121163	2F12	14	60 - 29
H114897	2D10	20	50 - 59	H118426	1H4	8	40 - 39	H121163	2G25	5	70 - 19
H114897	2G23	14	70 - 17	H118427	1G22	3	40 - 35	H121163	2H4	8	70 - 23
H114897	2G23	17	70 - 17	H118427	1G24	3	40 - 35B	H121168	2F6	27	60 - 23
H114898	2D20	15	50 - 69	H118430	1F13	15	40 - 3	H121168	2F8	5	60 - 25
H114901	2D10	10	50 - 59	H118430	1F23	3	40 - 13	H121168	2F12	5	60 - 29
H114901	2D12	9	50 - 61	H118431	1F13	13	40 - 3	H121168	2G25	25	70 - 19
H114901	2D14	13	50 - 63	H118616	4F16	3	121 - 25	H121168	2G25	30	70 - 19
H114901	2D18	2	50 - 67	H118617	4F12	24	121 - 21	H121168	2H2	16	70 - 21
H114901	2D20	16	50 - 69	H118617	4F16	1	121 - 25	H121168	2H6	11	70 - 25
H115031	3F23	9	90 - 69	H118618	4F16	6	121 - 25	H121168	2H20	7	70 - 39
H115140	2F18	8	60 - 36	H118619	3F23	12	90 - 69	H121168	4I20	19	125 - 27
H115140	2F19	7	60 - 37	H118719	1B5	44	20 - 3	H121391	3C16	15	80 - 37
H115521	3F25	1	90 - 71	H118871	3F23	28	90 - 69	H121391	5C4	34	130 - 27
H115533	2F8	23	60 - 25	H118872	3F23	26	90 - 69	H121472	2D24	11	50 - 73
H115533	2F8	27	60 - 25	H118882	2C1	8	50 - 24	H121472	2F19	9	60 - 37
H115533	2G12	2	70 - 5	H118906	2J6	22	70 - 75	H121575	4H25	11	125 - 7
H115533	2G21	18	70 - 15	H118919	4F8	15	121 - 17	H121576	4H25	15	125 - 7
H115755	4F12	19	121 - 21	H118920	4F8	14	121 - 17	H121681	4F4	12	121 - 13
H115759	4F12	25	121 - 21	H118927	4F6	13	121 - 15	H121681	4F8	16	121 - 17
H115759	4G2	3	121 - 35	H118948	4J12	17	125 - 43	H121973	2I12	28	70 - 57
H115759	5E4	6	170 - 3	H119007	2B7	8	50 - 3	H122182	2D10	8	50 - 59
H115881	4F14	4	121 - 23	H119028	4E22	1	121 - 7	H122182	2D12	5	50 - 61
H115881	4F18	39	121 - 27	H119029	4E22	1	121 - 7	H122182	2D14	3	50 - 63
H115881	4G2	20	121 - 35	H119030	4E22	1	121 - 7	H122182	2D16	3	50 - 65
H115881	5E4	7	170 - 3	H119031	4E22	1	121 - 7	H122372	1H8	11	40 - 43
H115930	4F12	12	121 - 21	H119088	3D13	4	90 - 9	H122372	4D4	11	120 - 49
H115987	3E22	9	90 - 43	H119088	3G13	6	90 - 85	H122650	4E24	14	121 - 9
H116065	4G4	8	121 - 37	H119210	4F24	9	121 - 33	H122650	4F2	6	121 - 11
H116160	1H16	..	40 - 51	H119362	3F23	17	90 - 69	H122772	2G21	10	70 - 15
H116160	4F6	..	121 - 15	H119411	3B20	23	80 - 17	H122772	4I22	8	125 - 29
H116160	4F8	..	121 - 17	H119566	5C25	4	130 - 49	H123297	1F4	10	30 - 15
H116188	3D21	14	90 - 17	H119566	5D2	9	130 - 51	H123351	5F3	12	170 - 26
H116213	2I12	9	70 - 57	H119567	5C25	4	130 - 49	H123633	3H8	24	110 - 19
H116213	2I14	10	70 - 59	H119567	5D2	9	130 - 51	H123638	3H8	21	110 - 19
H116213	4I24	12	125 - 31	H119568	5C25	4	130 - 49	H123652	1B5	39	20 - 3
H116262	5D9	10	130 - 59	H119568	5D2	9	130 - 51	H123734	3H23	30	110 - 35
H116292	5D2	2	130 - 51	H119709	3H17	11	110 - 29	H123740	3D21	18	90 - 17
H116351	5C14	9	130 - 37	H119710	3H17	2	110 - 29	H123794	3D17	3	90 - 13
H116639	2B10	..	50 - 6	H119996	5D4	13	130 - 53	H123796	3D21	16	90 - 17
H116640	2B10	..	50 - 6	H119997	5D4	12	130 - 53	H123873	2F2	25	60 - 19
H116640	5F7	4	170 - 31	H120082	3B20	13	80 - 17	H123873	3F19	25	90 - 65
H116706	2H6	9	70 - 25	H120099	3F16	5	90 - 61	H123874	2F4	20	60 - 21
H116717	2G25	3	70 - 19	H120194	4H4	37A	121 - 61	H123874	3F21	20	90 - 67
H116717	2H2	10	70 - 21	H120198	4H2	23	121 - 59	H123875	2F4	25	60 - 21
H116717	2H4	2	70 - 23	H120362	2G23	21	70 - 17	H123875	3F21	25	90 - 67
H116740	1I9	1	40 - 69	H120362	4I20	3	125 - 27	H123877	2F4	2	60 - 21
H116740	3B12	4	80 - 9	H120379	3B6	19	80 - 3	H123877	3F21	2	90 - 67
H116861	4F22	5	121 - 31	H120388	2E12	6	60 - 5	H123918	1B5	23	20 - 3
H116862	4F22	4	121 - 31	H120389	2E12	5	60 - 5	H123918	4I4	11	125 - 11
H116862	4G22	16	121 - 55	H120490	4F16	8	121 - 25	H123991	3D21	5	90 - 17

NUMERICAL INDEX - CONTINUED

PART NO.	GRID	KEY	PAGE	PART NO.	GRID	KEY	PAGE	PART NO.	GRID	KEY	PAGE
H123995	1F11	5	40 - 1	H125929	2I12	12	70 - 57	H127410	3C12	4	80 - 33
H123995	1F13	5	40 - 3	H125930	1G18	3	40 - 33	H127524	4C24	10	120 - 45
H123995	3D21	7	90 - 17	H125930	1G20	3	40 - 33B	H127525	4C24	23	120 - 45
H123995	3F12	2	90 - 57	H126026	2J6	7	70 - 75	H127532	4C20	4	120 - 41
H123995	3G13	7	90 - 85	H126028	2J6	34	70 - 75	H127578	1E18	2	30 - 5
H123998	1G6	10	40 - 21	H126081	3D15	3	90 - 11	H127578	1E20	12	30 - 7
H123998	1J6	7	40 - 91	H126082	3D15	2	90 - 11	H127583	4F24	22	121 - 33
H123998	3F23	25	90 - 69	H126083	3D15	4	90 - 11	H127583	4I2	34	125 - 9
H123998	3F23	35	90 - 69	H126123	2B9	8	50 - 5	H127589	2D20	20	50 - 69
H124185	3F25	7	90 - 71	H126124	2B9	7	50 - 5	H127589	2G25	6	70 - 19
H124205	1I13	9	40 - 73	H126169	4G22	8	121 - 55	H127589	2H4	24	70 - 23
H124206	1I13	2	40 - 73	H126261	3I16	6	110 - 53	H127589	2H22	2	70 - 41
H124210	3D13	9	90 - 9	H126280	5D6	10	130 - 55	H127590	4F18	18	121 - 27
H124258	2E10	18	60 - 3	H126302	3I16	11	110 - 53	H127596	4F24	17	121 - 33
H124258	2E12	8	60 - 5	H126334	4H8	2	121 - 65	H127603	3G23	20	110 - 9
H124259	2E12	7	60 - 5	H126334	4H14	33	121 - 71	H127603	3H15	7	110 - 26
H124260	3D7	6	90 - 3	H126334	4H23	3	125 - 5	H127604	3G23	9	110 - 9
H125330	2C1	13	50 - 24	H126335	4H8	1	121 - 65	H127638	5C4	2	130 - 27
H125347	1I9	15	40 - 69	H126336	4H8	6	121 - 65	H127677	3C10	13	80 - 31
H125354	4E22	27	121 - 7	H126345	3H2	11	110 - 13	H127677	5C6	22	130 - 29
H125356	4E22	36	121 - 7	H126345	3I16	12	110 - 53	H127731	3C18	17	80 - 39
H125356	4E24	19	121 - 9	H126345	3I20	3	110 - 57	H127732	3C18	11	80 - 39
H125380	4H2	10	121 - 59	H126345	5E5	5	170 - 4	H127749	3E14	17	90 - 35
H125380	5E5	3	170 - 4	H126346	3H2	19	110 - 13	H127749	3G21	17	110 - 7
H125381	4H12	6	121 - 69	H126370	3H2	25	110 - 13	H127752	2E14	10	60 - 7
H125391	4G2	18	121 - 35	H126371	3G25	2	110 - 11	H127781	3H6	16	110 - 17
H125403	2G17	5	70 - 10	H126371	3H2	24	110 - 13	H127855	4F18	13	121 - 27
H125403	2G19	3	70 - 12	H126397	3H4	25	110 - 15	H127872	4J12	4	125 - 43
H125466	1B9	1	20 - 7	H126397	3H6	25	110 - 17	H127878	1G6	1	40 - 21
H125467	1B9	2	20 - 7	H126397	5F5	18	170 - 29	H127878	1G7	1	40 - 22
H125489	3I6	6	110 - 43	H126564	4F6	16	121 - 15	H127906	4H4	4	121 - 61
H125511	3D9	1	90 - 5	H126572	2B23	12	50 - 21	H127907	4H4	2	121 - 61
H125513	3D13	3	90 - 9	H126573	2B23	12	50 - 21	H127921	5C25	2	130 - 49
H125518	2B16	1	50 - 13	H126575	2B23	12	50 - 21	H127922	5D4	5	130 - 53
H125518	3E12	1	90 - 33	H126583	2B9	16	50 - 5	H127923	5D4	4	130 - 53
H125528	4G2	9	121 - 35	H126583	2C14	23	50 - 39	H127978	3F23	14	90 - 69
H125537	3C8	4	80 - 29	H126587	4E18	7	121 - 3	H127998	5C21	9	130 - 45
H125537	3C10	4	80 - 31	H126589	3F23	20	90 - 69	H127998	5C23	9	130 - 47
H125537	5C6	19	130 - 29	H126590	3F23	22	90 - 69	H128010	4F12	20	121 - 21
H125558	4C16	18	120 - 37	H126672	3C14	15	80 - 35	H128010	4G6	1	121 - 39
H125558	4G14	2	121 - 47	H126715	4F10	24	121 - 19	H128010	5E3	2	170 - 2
H125560	4G14	17	121 - 47	H126716	4F10	22	121 - 19	H128080	4H10	1	121 - 67
H125733	4E22	6	121 - 7	H126722	4F18	41	121 - 27	H128081	4H10	1	121 - 67
H125734	4F2	10	121 - 11	H126792	4F2	15	121 - 11	H128082	4H10	1	121 - 67
H125735	4F2	10	121 - 11	H126793	4F2	16	121 - 11	H128083	4H8	21	121 - 65
H125736	4F2	10	121 - 11	H126801	5D7	1	130 - 56	H128083	4H10	1	121 - 67
H125737	4F2	10	121 - 11	H126802	5D7	7	130 - 56	H128098	4G24	1	121 - 57
H125738	4F2	1	121 - 11	H126804	5D7	12	130 - 56	H128111	4G24	7	121 - 57
H125740	4E18	18	121 - 3	H126829	4F18	40	121 - 27	H128118	3G23	4	110 - 9
H125740	4E22	5	121 - 7	H126846	1G2	35	40 - 17	H128118	3H15	4	110 - 26
H125741	4E18	18	121 - 3	H126941	4C16	10	120 - 37	H128265	4G12	32	121 - 45
H125741	4E22	5	121 - 7	H127067	2G4	..	60 - 47	H128265	4J4	21	125 - 35
H125742	4E18	18	121 - 3	H127067	5F7	2	170 - 31	H128297	4F14	5	121 - 23
H125742	4E22	5	121 - 7	H127067	5F7	4	170 - 31	H128315	5F5	8	170 - 29
H125743	4E18	18	121 - 3	H127068	5F7	4	170 - 31	H128327	4G14	5	121 - 47
H125743	4E22	5	121 - 7	H127070	2G4	..	60 - 47	H128357	4H10	2	121 - 67
H125769	3D17	6	90 - 13	H127070	5F7	2	170 - 31	H128357	4H10	3	121 - 67
H125837	4F2	8	121 - 11	H127073	2G4	..	60 - 47	H128358	4H10	2	121 - 67
H125838	4E18	17	121 - 3	H127073	5F7	2	170 - 31	H128359	4H10	2	121 - 67
H125838	4F6	12	121 - 15	H127075	5F7	4	170 - 31	H128479	5C18	10	130 - 41
H125838	4F8	5	121 - 17	H127078	5F5	3	170 - 29	H128502	3B12	21	80 - 9
H125839	4E24	7	121 - 9	H127159	4E18	9	121 - 3	H128515	2D20	22	50 - 69
H125840	4E24	11	121 - 9	H127189	4F12	1	121 - 21	H128515	2F10	4	60 - 27
H125841	4E24	8	121 - 9	H127196	4F12	18	121 - 21	H128515	2F12	15	60 - 29
H125842	4E24	8	121 - 9	H127325	5F5	15	170 - 29	H128515	2G25	6	70 - 19
H125843	4E24	8	121 - 9	H127327	5F5	15	170 - 29	H128515	2H4	7	70 - 23
H125844	4E24	8	121 - 9	H127408	3C12	7	80 - 33	H128536	2B7	10	50 - 3

NUMERICAL INDEX - CONTINUED

PART NO.	GRID	KEY	PAGE	PART NO.	GRID	KEY	PAGE	PART NO.	GRID	KEY	PAGE
H128557	2B7	9	50 - 3	H129833	3C8	16	80 - 29	H130646	3E14	9	90 - 35
H128576	5B14	9	130 - 11	H129833	5C6	45	130 - 29	H130646	3G21	9	110 - 7
H128744	3B14	3	80 - 11	H129839	1E16	21	30 - 3	H130661	4J8	20	125 - 39
H128819	1G10	5	40 - 25	H129844	4F8	3	121 - 17	H130667	4J8	9	125 - 39
H128819	1G12	10	40 - 27	H129854	2C1	12	50 - 24	H130695	4D4	16	120 - 49
H128820	1G10	10	40 - 25	H129878	4G2	11	121 - 35	H130771	5C12	8	130 - 35
H128820	1G12	16	40 - 27	H129879	4F12	18	121 - 21	H130771	5C12	..	130 - 35
H128821	1G10	12	40 - 25	H129885	3B20	5	80 - 17	H130826	3H8	17	110 - 19
H128822	1G12	18	40 - 27	H129885	5C6	1	130 - 29	H130922	4D16	10	120 - 61
H128823	1G10	25	40 - 25	H129887	1G6	17	40 - 21	H130930	3C6	3	80 - 27
H128841	1G10	18	40 - 25	H129887	3F25	6	90 - 71	H130930	4J8	4	125 - 39
H128859	1G10	26	40 - 25	H129934	4E20	12	121 - 5	H130930	5B10	6	130 - 7
H128859	3G13	8	90 - 85	H129935	4E20	16	121 - 5	H130948	4H8	15	121 - 65
H128861	5C12	1	130 - 35	H130040	3H12	18	110 - 23	H130949	4H8	8	121 - 65
H128877	5B8	7	130 - 5	H130057	3B16	11	80 - 13	H130956	4J15	3	125 - 46
H128890	5B14	5	130 - 11	H130058	1F17	2	40 - 7	H130957	4J15	4	125 - 46
H128937	4E22	17	121 - 7	H130058	3E10	2	90 - 31	H130967	3B10	28	80 - 7
H128999	4C12	1	120 - 33	H130089	1B14	4	20 - 13	H130968	3B10	35	80 - 7
H129004	3B20	27	80 - 17	H130090	1B14	8	20 - 13	H131017	1H6	4	40 - 41
H129049	5B25	17	130 - 23	H130091	3F23	23	90 - 69	H131040	2B16	5	50 - 13
H129094	5F3	12	170 - 26	H130137	5C10	15	130 - 33	H131040	3E12	5	90 - 33
H129099	5F5	8	170 - 29	H130140	4E18	10	121 - 3	H131041	2B16	6	50 - 13
H129125	4H4	29	121 - 61	H130153	1F15	10	40 - 5	H131041	3E12	6	90 - 33
H129179	4C12	5	120 - 33	H130192	2F2	24	60 - 19	H131087	3H23	13	110 - 35
H129207	4G6	17	121 - 39	H130192	2F4	11	60 - 21	H131088	3H23	15	110 - 35
H129207	4G8	8	121 - 41	H130192	3F19	24	90 - 65	H131098	4G12	33	121 - 45
H129207	4G14	18	121 - 47	H130192	3F21	11	90 - 67	H131108	4C20	1	120 - 41
H129207	4J12	5	125 - 43	H130192	3G13	9	90 - 85	H131115	2D10	18	50 - 59
H129208	4G22	17	121 - 55	H130194	1F15	15	40 - 5	H131115	2F8	14	60 - 25
H129208	4H2	5	121 - 59	H130194	3G13	10	90 - 85	H131115	2G23	18	70 - 17
H129208	4H2	25	121 - 59	H130223	2F19	12	60 - 37	H131115	2G25	22	70 - 19
H129248	1B9	3	20 - 7	H130224	2F19	11	60 - 37	H131115	2H4	22	70 - 23
H129311	4G8	4	121 - 41	H130227	2G2	7	60 - 45	H131115	2H6	19	70 - 25
H129312	4G8	2	121 - 41	H130228	2G2	11	60 - 45	H131115	2H16	5	70 - 35
H129328	2J6	20	70 - 75	H130246	3B10	18	80 - 7	H131121	2C11	25	50 - 35
H129367	1G2	31	40 - 17	H130262	5C4	31	130 - 27	H131121	2E4	6	50 - 77
H129389	5B10	3	130 - 7	H130287	2B12	7	50 - 8	H131121	2I12	2	70 - 57
H129440	1F13	2	40 - 3	H130288	2B12	8	50 - 8	H131163	2D20	37	50 - 69
H129464	5D7	9	130 - 56	H130298	1F18	5	40 - 8	H131163	2F8	3	60 - 25
H129465	5D7	6	130 - 56	H130298	3G13	12	90 - 85	H131163	2G25	7	70 - 19
H129471	5D7	4	130 - 56	H130299	1F18	4	40 - 8	H131169	4G12	..	121 - 45
H129472	5D7	3	130 - 56	H130301	3D21	10	90 - 17	H131169	5E3	4	170 - 2
H129525	2B19	34	50 - 17	H130303	3D21	15	90 - 17	H131170	4G12	11	121 - 45
H129550	5C14	21	130 - 37	H130349	3B6	10	80 - 3	H131186	2F4	31	60 - 21
H129557	2C1	9	50 - 24	H130355	4D4	14	120 - 49	H131186	3F21	31	90 - 67
H129558	2B21	22	50 - 19	H130362	3C16	18	80 - 37	H131227	5C6	14	130 - 29
H129564	2B19	26	50 - 17	H130362	3E4	7	90 - 25	H131228	4F4	2	121 - 13
H129564	2B21	11	50 - 19	H130363	3C16	6	80 - 37	H131230	5C6	4	130 - 29
H129565	2B19	27	50 - 17	H130363	5C6	43	130 - 29	H131256	5C16	3	130 - 39
H129588	2I18	2	70 - 63	H130364	3C16	3	80 - 37	H131259	5C16	12	130 - 39
H129588	5C6	16	130 - 29	H130388	2F16	7	60 - 33	H131261	5C16	9	130 - 39
H129606	3D9	3	90 - 5	H130407	2B23	6	50 - 21	H131262	5C18	13	130 - 41
H129610	3D23	6	90 - 19	H130424	3B18	2	80 - 15	H131263	5C18	12	130 - 41
H129653	5C10	20	130 - 33	H130425	3B18	12	80 - 15	H131264	5C6	3	130 - 29
H129659	3H17	6	110 - 29	H130431	3B18	6	80 - 15	H131296	2B19	11	50 - 17
H129676	4F10	17	121 - 19	H130432	3B18	5	80 - 15	H131297	2B19	14	50 - 17
H129686	1F17	8	40 - 7	H130510	1G18	21	40 - 33	H131298	3D7	1	90 - 3
H129686	3E10	8	90 - 31	H130510	1G20	21	40 - 33B	H131299	3D7	2	90 - 3
H129709	2F18	7	60 - 36	H130511	1G6	8	40 - 21	H131300	3D7	13	90 - 3
H129709	2F19	6	60 - 37	H130515	3E8	6	90 - 29	H131301	3D7	11	90 - 3
H129716	5C10	11	130 - 33	H130529	3I2	4	110 - 39	H131319	4D22	1	120 - 67
H129723	1F25	1	40 - 15	H130530	3H25	10	110 - 37	H131356	5C14	23	130 - 37
H129749	2B7	5	50 - 3	H130555	3B20	1	80 - 17	H131424	2F4	7	60 - 21
H129760	3D25	5	90 - 21	H130572	4C16	25	120 - 37	H131424	3F21	7	90 - 67
H129761	3D25	4	90 - 21	H130636	3C18	4	80 - 39	H131424	3G13	15	90 - 85
H129763	3D25	10	90 - 21	H130637	1H22	18	40 - 57	H131452	3H21	3	110 - 33
H129765	2J6	23	70 - 75	H130637	1H24	1	40 - 59	H131482	4G4	5	121 - 37

NUMERICAL INDEX - CONTINUED

PART NO.	GRID	KEY	PAGE	PART NO.	GRID	KEY	PAGE	PART NO.	GRID	KEY	PAGE
H131485	4G4	11	121 - 37	H132293	4D20	2	120 - 65	H132922	3G11	11	90 - 83
H131516	4E6	3	120 - 75	H132328	3G19	24	110 - 5	H132926	3B6	20	80 - 3
H131526	3B16	1	80 - 13	H132400	4E22	19	121 - 7	H132937	4G24	11	121 - 57
H131526	3B18	10	80 - 15	H132451	1J6	11	40 - 91	H132938	4G24	16	121 - 57
H131531	1G22	6	40 - 35	H132451	3E16	11	90 - 37	H132948	3C14	4	80 - 35
H131531	1G24	6	40 - 35B	H132452	3D13	10	90 - 9	H132949	3C14	10	80 - 35
H131531	4E6	14	120 - 75	H132452	3E24	5	90 - 45	H132970	2J6	19	70 - 75
H131531	5C4	25	130 - 27	H132511	3B10	10	80 - 7	H132976	4H4	30	121 - 61
H131531	5C6	32	130 - 29	H132513	1G22	1	40 - 35	H132986	3I4	8	110 - 41
H131531	5D12	2	130 - 63	H132513	1G24	1	40 - 35B	H132988	3I4	6	110 - 41
H131543	3C14	6	80 - 35	H132538	3G2	21	90 - 73	H132992	3B10	33	80 - 7
H131574	1G18	12	40 - 33	H132538	5C6	24	130 - 29	H132995	4F2	19	121 - 11
H131574	1G20	12	40 - 33B	H132539	3B6	8	80 - 3	H133010	2B21	10	50 - 19
H131591	2G10	11	70 - 3	H132539	5B6	6	130 - 3	H133024	5D9	13	130 - 59
H131591	3E8	4	90 - 29	H132540	4C12	18	120 - 33	H133025	5D9	26	130 - 59
H131591	3E16	3	90 - 37	H132541	4B22	2	120 - 19	H133026	5D9	17	130 - 59
H131591	3G13	13	90 - 85	H132541	4C6	1	120 - 27	H133031	4J15	8	125 - 46
H131595	1G14	19	40 - 29	H132541	4C12	14	120 - 33	H133042	3B10	23	80 - 7
H131604	4E6	5	120 - 75	H132542	5C4	23	130 - 27	H133047	2B16	19	50 - 13
H131607	4E6	7	120 - 75	H132554	2B23	11	50 - 21	H133047	3E12	19	90 - 33
H131608	4E6	6	120 - 75	H132597	1G14	8	40 - 29	H133051	1B11	4	20 - 9
H131612	4H14	12	121 - 71	H132618	2B21	13	50 - 19	H133060	2F6	8	60 - 23
H131626	3D23	3	90 - 19	H132662	3G2	12	90 - 73	H133060	3I4	5	110 - 41
H131628	3C16	8	80 - 37	H132662	3G11	24	90 - 83	H133081	4D4	30	120 - 49
H131628	5C6	21	130 - 29	H132662	5C6	10	130 - 29	H133089	2B25	2	50 - 23
H131638	4J14	18	125 - 45	H132666	1H20	..	40 - 55	H133092	2B25	5	50 - 23
H131639	4J14	17	125 - 45	H132666	5C4	32	130 - 27	H133094	2C1	1	50 - 24
H131661	4E6	16	120 - 75	H132686	1H20	7	40 - 55	H133096	2B25	3	50 - 23
H131673	5C4	20	130 - 27	H132687	1H20	3	40 - 55	H133097	2B25	3	50 - 23
H131674	5C4	17	130 - 27	H132687	1J14	5	40 - 99	H133098	2B25	3	50 - 23
H131675	5C4	15	130 - 27	H132688	1J14	3	40 - 99	H133106	2F4	15	60 - 21
H131703	2E14	14	60 - 7	H132708	4J8	3	125 - 39	H133106	3F21	15	90 - 67
H131720	3D17	9	90 - 13	H132793	3B10	32	80 - 7	H133143	5B6	14	130 - 3
H131743	3B16	13	80 - 13	H132795	1F15	13	40 - 5	H133152	3B20	19	80 - 17
H131743	3H8	3	110 - 19	H132795	1G16	18	40 - 31	H133165	2B19	22	50 - 17
H131754	2B12	11	50 - 8	H132800	1G18	18	40 - 33	H133178	1H24	15	40 - 59
H131754	2C3	9	50 - 27	H132800	1G20	18	40 - 33B	H133178	5C14	14	130 - 37
H131865	4J2	3	125 - 33	H132800	1J12	4	40 - 97	H133199	4G18	4	121 - 51
H131876	3C18	22	80 - 39	H132800	5D21	12	160 - 5	H133202	2B23	14	50 - 21
H131878	4B16	14	120 - 13	H132808	1B9	4	20 - 7	H133205	2F2	14	60 - 19
H131948	1B5	24	20 - 3	H132808	5E4	1	170 - 3	H133205	2F4	1	60 - 21
H131949	1B5	22	20 - 3	H132809	5E4	1	170 - 3	H133205	3F19	14	90 - 65
H131982	1F11	4	40 - 1	H132811	5F5	11	170 - 29	H133205	3F21	1	90 - 67
H131986	4C6	14	120 - 27	H132812	1H14	6	40 - 49	H133208	3E14	11	90 - 35
H131987	4C6	16	120 - 27	H132813	1H14	6	40 - 49	H133208	3G21	11	110 - 7
H131988	4B22	8	120 - 19	H132822	3C8	12	80 - 29	H133210	3E14	7	90 - 35
H131989	4B18	18	120 - 15	H132822	3C10	16	80 - 31	H133210	3G21	7	110 - 7
H131996	2D24	12	50 - 73	H132825	3H2	7	110 - 13	H133219	3D15	17	90 - 11
H132008	3C10	5	80 - 31	H132892	2B19	12	50 - 17	H133229	2B12	10	50 - 8
H132024	5C4	9	130 - 27	H132892	2B21	3	50 - 19	H133229	2C3	6	50 - 27
H132057	4C2	11	120 - 23	H132893	2B19	12	50 - 17	H133230	2B12	12	50 - 8
H132057	4C2	..	120 - 23	H132893	2B21	3	50 - 19	H133230	2C3	8	50 - 27
H132057	4C4	4	120 - 25	H132894	2B19	12	50 - 17	H133244	2B12	14	50 - 8
H132088	5B25	26	130 - 23	H132894	2B21	3	50 - 19	H133246	2B12	14	50 - 8
H132097	5C18	9	130 - 41	H132895	2F2	7	60 - 19	H133248	2B12	14	50 - 8
H132161	4D12	2	120 - 57	H132895	3F19	7	90 - 65	H133287	4E2	4	120 - 71
H132161	4D20	5	120 - 65	H132897	2F2	27	60 - 19	H133288	4E2	2	120 - 71
H132208	4G12	10	121 - 45	H132897	3F19	27	90 - 65	H133320	2F17	2	60 - 34
H132208	4G16	19	121 - 49	H132899	2F2	20	60 - 19	H133351	2E18	27	60 - 11
H132227	5B10	9	130 - 7	H132899	3F19	20	90 - 65	H133384	1F19	5	40 - 9
H132288	4D10	3	120 - 55	H132899	3G13	16	90 - 85	H133391	3D11	2	90 - 7
H132288	4D18	2	120 - 63	H132900	1F18	1	40 - 8	H133414	3D15	5	90 - 11
H132289	4D24	2	120 - 69	H132900	1H20	5	40 - 55	H133489	4G16	27	121 - 49
H132290	4D20	3	120 - 65	H132900	1J14	2	40 - 99	H133514	3D25	13	90 - 21
H132291	4D10	2	120 - 55	H132901	4H4	32	121 - 61	H133541	4J14	2	125 - 45
H132291	4D18	1	120 - 63	H132902	4H6	6	121 - 63	H133579	5D4	15	130 - 53
H132292	4D24	1	120 - 69	H132906	4J4	6	125 - 35	H133584	5C4	1	130 - 27

NUMERICAL INDEX - CONTINUED

PART NO.	GRID	KEY	PAGE	PART NO.	GRID	KEY	PAGE	PART NO.	GRID	KEY	PAGE
H133598	4D16	17	120 - 61	H134144	1B9	10	20 - 7	H134528	1B5	41	20 - 3
H133598	4D22	22	120 - 67	H134168	4B6	4	120 - 3	H134531	2C3	11	50 - 27
H133598	4G12	56	121 - 45	H134169	1F25	4	40 - 15	H134535	3D17	5	90 - 13
H133599	4D16	13	120 - 61	H134171	1H6	6	40 - 41	H134535	5E14	5	170 - 13
H133600	4D22	21	120 - 67	H134172	1H6	7	40 - 41	H134535	5F3	9	170 - 26
H133601	4D22	21	120 - 67	H134214	1B5	25	20 - 3	H134536	3E6	12	90 - 27
H133602	4D16	13	120 - 61	H134214	1B9	21	20 - 7	H134537	3E6	12	90 - 27
H133603	4G12	47	121 - 45	H134286	5B12	1	130 - 9	H134544	3E4	12	90 - 25
H133618	4F12	12	121 - 21	H134287	5B12	2	130 - 9	H134547	2F18	4	60 - 36
H133621	4G12	52	121 - 45	H134297	1E16	9	30 - 3	H134547	2F19	3	60 - 37
H133633	4C6	10	120 - 27	H134298	1E16	8	30 - 3	H134548	2F18	9	60 - 36
H133635	2B12	15	50 - 8	H134299	1E16	6	30 - 3	H134548	2F19	8	60 - 37
H133636	2B16	8	50 - 13	H134300	1E22	2	30 - 9	H134549	2F19	2	60 - 37
H133636	3E12	8	90 - 33	H134308	4D4	29	120 - 49	H134557	2F23	7	60 - 41
H133645	1H22	10	40 - 57	H134308	4J6	1	125 - 37	H134558	2F6	7	60 - 23
H133645	1H24	2	40 - 59	H134308	5B6	20	130 - 3	H134558	2G21	19	70 - 15
H133659	2D12	1	50 - 61	H134314	4J6	2	125 - 37	H134558	2H2	11	70 - 21
H133659	2D14	22	50 - 63	H134317	4J6	4	125 - 37	H134600	2B10	2	50 - 6
H133659	2F8	19	60 - 25	H134335	4B8	10	120 - 5	H134603	4J4	27	125 - 35
H133659	2H20	5	70 - 39	H134338	4B8	16	120 - 5	H134603	4J9	8	125 - 40
H133660	2B16	7	50 - 13	H134339	4B8	14	120 - 5	H134605	4J4	25	125 - 35
H133660	3E12	7	90 - 33	H134343	2E14	8	60 - 7	H134606	4J9	7	125 - 40
H133662	2B16	13	50 - 13	H134353	2F4	23	60 - 21	H134620	5E24	5	170 - 23
H133662	3E12	13	90 - 33	H134353	3F21	23	90 - 67	H134620	5F3	9	170 - 26
H133665	3D7	5	90 - 3	H134359	4G8	11	121 - 41	H134623	2F4	45	60 - 21
H133666	3D7	7	90 - 3	H134367	1G12	25	40 - 27	H134623	3F21	45	90 - 67
H133667	4G6	7	121 - 39	H134385	4E20	21	121 - 5	H134624	2F4	44	60 - 21
H133669	2D24	16	50 - 73	H134396	1E16	11	30 - 3	H134624	3F21	44	90 - 67
H133671	2D24	13	50 - 73	H134403	3B10	34	80 - 7	H134652	4H6	16	121 - 63
H133675	2J4	13	70 - 73	H134417	1G18	23	40 - 33	H134654	4B10	20	120 - 7
H133688	2I18	10	70 - 63	H134417	1G20	23	40 - 33B	H134654	4B12	15	120 - 9
H133690	2I18	12	70 - 63	H134417	3I10	2	110 - 47	H134655	3G11	12	90 - 83
H133690	5D9	31	130 - 59	H134417	5D21	9	160 - 5	H134671	3D15	9	90 - 11
H133751	1B11	9	20 - 9	H134418	4B22	5	120 - 19	H134716	4I2	21	125 - 9
H133768	4E4	5	120 - 73	H134420	4B22	6	120 - 19	H134724	3E6	10	90 - 27
H133789	4E4	9	120 - 73	H134424	2F6	23	60 - 23	H134738	3B14	9	80 - 11
H133812	4H4	14	121 - 61	H134424	2G25	14	70 - 19	H134757	4C8	10	120 - 29
H133824	1H24	4	40 - 59	H134424	2H4	16	70 - 23	H134758	4C8	5	120 - 29
H133843	3H8	4	110 - 19	H134425	2F6	25	60 - 23	H134760	4G8	18	121 - 41
H133851	1J2	3	40 - 87	H134425	2G12	8	70 - 5	H134760	5B14	13	130 - 11
H133852	1J2	1	40 - 87	H134425	2G25	9	70 - 19	H134760	5B25	4	130 - 23
H133981	1J2	6	40 - 87	H134425	2H4	14	70 - 23	H134773	4F10	2	121 - 19
H133989	3H8	32	110 - 19	H134426	2F6	21	60 - 23	H134816	4C6	8	120 - 27
H134000	1I6	3	40 - 66	H134427	2F6	22	60 - 23	H134831	1H6	8	40 - 41
H134002	3H23	3	110 - 35	H134427	2G12	5	70 - 5	H134856	1B14	7	20 - 13
H134025	4C24	25	120 - 45	H134427	2G25	12	70 - 19	H134886	4H23	6	125 - 5
H134065	4J14	31	125 - 45	H134427	2H4	15	70 - 23	H134889	4H21	8	125 - 3
H134068	4J14	6	125 - 45	H134428	2F8	7	60 - 25	H134896	3H8	9	110 - 19
H134072	3B10	14	80 - 7	H134428	2G25	20	70 - 19	H134913	3B12	29	80 - 9
H134073	3B10	15	80 - 7	H134428	2H4	21	70 - 23	H134915	3B12	32	80 - 9
H134073	3B14	19	80 - 11	H134429	2G21	15	70 - 15	H134917	3B12	33	80 - 9
H134081	3B18	14	80 - 15	H134429	2H2	7	70 - 21	H134930	3B14	10	80 - 11
H134085	3H4	13	110 - 15	H134434	2F8	11	60 - 25	H134999	1H22	5	40 - 57
H134085	3H6	13	110 - 17	H134434	2G25	16	70 - 19	H135017	4I2	40	125 - 9
H134088	3I16	10	110 - 53	H134434	2H4	19	70 - 23	H135036	4B22	11	120 - 19
H134102	3B16	3	80 - 13	H134442	2B10	..	50 - 6	H135036	4B24	2	120 - 21
H134105	3B16	25	80 - 13	H134442	5F7	3	170 - 31	H135037	4B22	11	120 - 19
H134106	3B14	2	80 - 11	H134444	2B12	13	50 - 8	H135037	4B24	2	120 - 21
H134107	3B16	23	80 - 13	H134444	2C3	7	50 - 27	H135112	2B13	5	50 - 9
H134108	3B16	4	80 - 13	H134470	2F6	16	60 - 23	H135131	5F5	9	170 - 29
H134114	2B10	3	50 - 6	H134488	3E14	5	90 - 35	H135132	5F5	11	170 - 29
H134117	1E24	5	30 - 11	H134488	3G21	5	110 - 7	H135141	5F7	3	170 - 31
H134117	1F2	5	30 - 13	H134489	3E14	4	90 - 35	H135147	3B14	16	80 - 11
H134118	4D16	11	120 - 61	H134489	3G21	4	110 - 7	H135148	3B16	6	80 - 13
H134118	4D22	18	120 - 67	H134506	3B16	14	80 - 13	H135155	2F6	12	60 - 23
H134140	3H8	16	110 - 19	H134520	3B12	18	80 - 9	H135156	2F12	6	60 - 29
H134143	1B9	7	20 - 7	H134527	3B12	28	80 - 9	H135158	4C8	8	120 - 29

NUMERICAL INDEX - CONTINUED

PART NO.	GRID	KEY	PAGE	PART NO.	GRID	KEY	PAGE	PART NO.	GRID	KEY	PAGE
H135167	5F5	21	170 - 29	H135849	4G14	2	121 - 47	H137204	4B18	17	120 - 15
H135173	2B23	4	50 - 21	H135850	4C16	18	120 - 37	H137204	4C6	12	120 - 27
H135192	5C10	24	130 - 33	H135850	4G14	7	121 - 47	H137215	4C22	18	120 - 43
H135193	5C10	26	130 - 33	H135891	4B16	18	120 - 13	H137215	4C22	19	120 - 43
H135211	2C7	14	50 - 31	H135891	4B16	..	120 - 13	H137227	5C14	21	130 - 37
H135213	2C7	13	50 - 31	H135891	4B24	7	120 - 21	H137261	3B16	15	80 - 13
H135214	2C7	12	50 - 31	H135898	2I7	20	70 - 51	H137264	5E5	4	170 - 4
H135215	2C7	1	50 - 31	H135898	2I9	22	70 - 53	H137267	3B14	20	80 - 11
H135235	4J9	10	125 - 40	H135923	4E6	2	120 - 75	H137276	5B10	10	130 - 7
H135245	3B16	24	80 - 13	H135942	2B21	12	50 - 19	H137326	3F23	33	90 - 69
H135286	5B23	5	130 - 21	H135943	2B19	28	50 - 17	H137328	4D4	1	120 - 49
H135287	5B23	9	130 - 21	H135944	2B21	9	50 - 19	H137329	4B24	11	120 - 21
H135292	4F12	44	121 - 21	H135963	1I11	1	40 - 71	H137360	3D25	2	90 - 21
H135309	4J14	22	125 - 45	H135964	2H10	11	70 - 29	H137364	5F8	1	170 - 32
H135392	3B16	20	80 - 13	H135964	5D19	11	160 - 3	H137389	4D6	17	120 - 51
H135393	3B16	16	80 - 13	H135965	3C8	8	80 - 29	H137403	4H21	5	125 - 3
H135396	4D4	13	120 - 49	H135965	3C10	11	80 - 31	H137417	3E24	4	90 - 45
H135405	5F5	16	170 - 29	H135974	2H6	16	70 - 25	H137418	3E24	9	90 - 45
H135410	4G12	2	121 - 45	H136011	3D25	17	90 - 21	H137420	3E24	11	90 - 45
H135410	4G16	13	121 - 49	H136014	3B16	28	80 - 13	H137421	3E24	10	90 - 45
H135410	4H4	23	121 - 61	H136015	3B16	27	80 - 13	H137447	3C12	10	80 - 33
H135422	4C22	13	120 - 43	H136015	3H8	6	110 - 19	H137447	3E6	9	90 - 27
H135423	4G12	37	121 - 45	H136054	4J8	8	125 - 39	H137523	2G10	6	70 - 3
H135452	5B23	14	130 - 21	H136055	4J8	8	125 - 39	H137534	3C14	12	80 - 35
H135453	5B23	17	130 - 21	H136056	3D15	19	90 - 11	H137538	1F15	18	40 - 5
H135454	5B23	2	130 - 21	H136095	5B16	1	130 - 13	H137539	1F15	18	40 - 5
H135475	4C24	18	120 - 45	H136109	1J8	8	40 - 93	H137570	4H4	9	121 - 61
H135493	4I2	8	125 - 9	H136110	1J8	6	40 - 93	H137580	4G2	1	121 - 35
H135494	4I2	23	125 - 9	H136110	3E4	14	90 - 25	H137583	4F12	19	121 - 21
H135497	2C11	27	50 - 35	H136115	2F18	2	60 - 36	H137585	4J6	9	125 - 37
H135497	2C12	27	50 - 36	H136126	3D25	21	90 - 21	H137593	2H12	17	70 - 31
H135499	2C5	18	50 - 29	H136127	3D25	19	90 - 21	H137602	4I20	32	125 - 27
H135500	2C5	16	50 - 29	H136142	3D23	1	90 - 19	H137603	4I20	27	125 - 27
H135500	2C6	1	50 - 30	H136143	3D23	1	90 - 19	H137606	5B23	21	130 - 21
H135500	2C16	12	50 - 41	H136144	3I4	1	110 - 41	H137667	2F4	49	60 - 21
H135503	2C7	7	50 - 31	H136145	2B17	5	50 - 14	H137667	3F21	49	90 - 67
H135504	2C7	8	50 - 31	H136163	2C14	27	50 - 39	H137670	4F12	25	121 - 21
H135505	2C11	1	50 - 35	H136179	4H14	22	121 - 71	H137670	4G2	3	121 - 35
H135508	2C16	20	50 - 41	H136186	5B20	10	130 - 17	H137670	5E4	6	170 - 3
H135509	2C16	14	50 - 41	H136186	5B21	13	130 - 18	H137672	2C1	7	50 - 24
H135512	4G8	9	121 - 41	H136209	5B23	8	130 - 21	H137721	4G4	5	121 - 37
H135519	4E10	9	120 - 79	H136257	4I4	5	125 - 11	H137731	1H6	3	40 - 41
H135538	5B16	13	130 - 13	H136304	5D12	5	130 - 63	H137815	4G16	36	121 - 49
H135567	2C7	11	50 - 31	H136306	5D12	4	130 - 63	H137817	4G16	34	121 - 49
H135569	2I12	1	70 - 57	H136334	2F25	11	60 - 43	H137817	4G16	..	121 - 49
H135570	2C11	9	50 - 35	H136334	2F25	15	60 - 43	H137823	3E16	12	90 - 37
H135570	2C12	9	50 - 36	H136335	2F25	7	60 - 43	H137854	3F14	1	90 - 59
H135571	2C16	5	50 - 41	H136335	2F25	15	60 - 43	H137855	3F14	6	90 - 59
H135590	5C2	12	130 - 25	H136336	2G25	37	70 - 19	H137856	3F14	4	90 - 59
H135599	4G16	25	121 - 49	H136336	3G25	27	110 - 11	H137857	3F14	5	90 - 59
H135608	2F6	15	60 - 23	H136336	3H8	25	110 - 19	H137858	3F14	3	90 - 59
H135610	3B14	21	80 - 11	H136541	3G2	14	90 - 73	H137859	3F14	5	90 - 59
H135614	3D11	1	90 - 7	H136541	5C6	23	130 - 29	H137865	4I12	13	125 - 19
H135615	3D11	6	90 - 7	H136572	5C10	25	130 - 33	H137866	4I12	8	125 - 19
H135618	2G21	17	70 - 15	H136573	5C10	27	130 - 33	H137867	4I12	3	125 - 19
H135618	2H2	9	70 - 21	H136577	1E24	6	30 - 11	H137869	5D9	12	130 - 59
H135619	2F6	31	60 - 23	H136577	3B14	27	80 - 11	H137916	5B20	6	130 - 17
H135641	2H12	2	70 - 31	H136582	4J4	30	125 - 35	H137916	5B21	6	130 - 18
H135641	2H14	4	70 - 33	H136583	5F5	22	170 - 29	H137919	5B20	12	130 - 17
H135713	5B14	6	130 - 11	H136589	3D15	15	90 - 11	H137919	5B21	8	130 - 18
H135772	1J12	9	40 - 97	H136590	3D15	20	90 - 11	H137919	5B21	9	130 - 18
H135772	3H25	6	110 - 37	H136609	4D12	10	120 - 57	H137939	3H4	24	110 - 15
H135773	1J12	10	40 - 97	H136611	4D12	11	120 - 57	H137939	3H6	24	110 - 17
H135776	2I7	16	70 - 51	H137188	4D22	19	120 - 67	H137939	5D21	7	160 - 5
H135777	2I7	15	70 - 51	H137201	5F8	1	170 - 32	H137939	5F5	17	170 - 29
H135777	2I9	17	70 - 53	H137203	4B18	16	120 - 15	H137940	5F5	17	170 - 29
H135844	4I8	10	125 - 15	H137203	4C6	15	120 - 27	H138085	4F14	1	121 - 23

NUMERICAL INDEX - CONTINUED

PART NO.	GRID	KEY	PAGE	PART NO.	GRID	KEY	PAGE	PART NO.	GRID	KEY	PAGE
H138297	3D17	4	90 - 13	H140135	2E18	9	60 - 11	H140866	3B6	21	80 - 3
H138344	4G10	21	121 - 43	H140135	2E19	8	60 - 12	H140872	3B22	5	80 - 19
H138410	2F17	6	60 - 34	H140149	4J25	4	125 - 57	H140881	3B22	1	80 - 19
H138411	2F8	9	60 - 25	H140161	4I4	4	125 - 11	H140944	4G14	19	121 - 47
H138411	2G25	15	70 - 19	H140162	4I4	2	125 - 11	H140944	4H2	4	121 - 59
H138411	2H4	18	70 - 23	H140195	3G19	32	110 - 5	H141033	5B16	11	130 - 13
H138435	3G23	12	110 - 9	H140218	4E6	17	120 - 75	H141044	5C2	10	130 - 25
H138435	3I10	4	110 - 47	H140225	3B16	21	80 - 13	H141059	4H6	18	121 - 63
H138435	3I12	14	110 - 49	H140247	4D12	3	120 - 57	H141060	4H6	11	121 - 63
H138435	3I20	23	110 - 57	H140248	1F15	9	40 - 5	H141069	2E10	16	60 - 3
H138435	4E10	12	120 - 79	H140248	1F25	3	40 - 15	H141088	3B24	9	80 - 21
H138435	4G16	29	121 - 49	H140248	1I7	3	40 - 67	H141100	4H6	12	121 - 63
H138435	4H4	5	121 - 61	H140298	2G12	7	70 - 5	H141123	3B20	3	80 - 17
H138435	4H4	16	121 - 61	H140298	2G12	10	70 - 5	H141123	5C6	36	130 - 29
H138435	4H12	8	121 - 69	H140298	2G25	13	70 - 19	H141123	5D7	14	130 - 56
H138435	4I2	42	125 - 9	H140298	2H4	17	70 - 23	H141127	1G22	1	40 - 35
H138435	4J4	1	125 - 35	H140300	3C4	13	80 - 25	H141127	1G22	2	40 - 35
H138435	4J14	36	125 - 45	H140380	1B7	12	20 - 5	H141127	1G24	1	40 - 35B
H138435	4J17	1	125 - 49	H140382	2F25	10	60 - 43	H141135	4H14	46	121 - 71
H138435	5D6	1	130 - 55	H140382	2G2	10	60 - 45	H141289	3E22	12	90 - 43
H138435	5D9	38	130 - 59	H140383	2G2	10	60 - 45	H141292	3D7	15	90 - 3
H138606	2B10	2	50 - 6	H140397	4G18	3	121 - 51	H141325	1G18	11	40 - 33
H138607	2B10	1	50 - 6	H140404	5E5	4	170 - 4	H141325	1G18	20	40 - 33
H138753	3H23	28	110 - 35	H140414	1H14	20	40 - 49	H141325	1H2	17	40 - 37
H138798	1F15	11	40 - 5	H140414	4E6	13	120 - 75	H141327	2F4	9	60 - 21
H138930	5C14	19	130 - 37	H140467	4J14	25	125 - 45	H141327	3F21	9	90 - 67
H139005	4I10	2	125 - 17	H140467	4J17	16	125 - 49	H141356	4G4	14	121 - 37
H139006	4I12	5	125 - 19	H140595	2E10	5	60 - 3	H141388	4H16	15	121 - 73
H139056	3C8	5	80 - 29	H140620	2E10	7	60 - 3	H141406	1G22	2	40 - 35
H139056	5C6	28	130 - 29	H140627	1F19	3	40 - 9	H141406	1G24	2	40 - 35B
H139098	3H23	19	110 - 35	H140628	1F19	2	40 - 9	H141422	2E10	34	60 - 3
H139098	4B22	18	120 - 19	H140628	1H10	2	40 - 45	H141450	5C21	10	130 - 45
H139098	4B24	9	120 - 21	H140628	1H12	6	40 - 47	H141450	5C23	10	130 - 47
H139132	4G18	7	121 - 51	H140664	1F13	14	40 - 3	H141500	3I2	1	110 - 39
H139320	2B10	6	50 - 6	H140664	1G18	8	40 - 33	H141549	3H6	35	110 - 17
H139392	5F3	6	170 - 26	H140691	2E10	21	60 - 3	H141549	4J8	33	125 - 39
H139393	5F3	7	170 - 26	H140692	2E10	11	60 - 3	H141588	4F16	4	121 - 25
H139448	2J11	9	70 - 81	H140694	2E10	27	60 - 3	H141673	4H2	3	121 - 59
H139512	2I7	14	70 - 51	H140695	2E10	28	60 - 3	H141673	4H2	5	121 - 59
H139512	2I9	16	70 - 53	H140696	2E10	29	60 - 3	H141770	3C2	5	80 - 23
H139513	2I7	7	70 - 51	H140708	2E10	12	60 - 3	H141771	3C2	..	80 - 23
H139513	2I9	7	70 - 53	H140709	2B10	..	50 - 6	H141772	3C2	1	80 - 23
H139515	2I7	24	70 - 51	H140709	2G4	..	60 - 47	H141813	3C6	2	80 - 27
H139515	2I9	7	70 - 53	H140709	5F7	2	170 - 31	H141835	3H8	5	110 - 19
H139515	2I9	16	70 - 53	H140709	5F7	4	170 - 31	H141836	3B14	15	80 - 11
H139515	2I9	26	70 - 53	H140710	2B10	..	50 - 6	H141869	2E16	11	60 - 9
H139545	4H2	22	121 - 59	H140710	2G4	..	60 - 47	H141883	4E6	22	120 - 75
H139545	4H4	10	121 - 61	H140711	2B10	..	50 - 6	H141946	2F4	53	60 - 21
H139600	4H10	4	121 - 67	H140711	5F7	4	170 - 31	H141946	3F21	53	90 - 67
H139603	2B10	..	50 - 6	H140712	2E10	20	60 - 3	H141955	1F19	6	40 - 9
H139603	5F7	3	170 - 31	H140713	2E10	30	60 - 3	H141979	3C18	8	80 - 39
H139667	4E8	1	120 - 77	H140715	1B5	11	20 - 3	H142030	2B19	8	50 - 17
H139681	4H14	43	121 - 71	H140715	2E10	19	60 - 3	H142031	2B19	37	50 - 17
H139682	4H14	42	121 - 71	H140746	2E10	8	60 - 3	H142035	3B20	18	80 - 17
H139709	4F20	1	121 - 29	H140747	2E10	9	60 - 3	H142044	2B9	18	50 - 5
H139807	2F25	9	60 - 43	H140749	2G4	..	60 - 47	H142055	4G10	10	121 - 43
H139807	2G2	9	60 - 45	H140749	5F7	2	170 - 31	H142107	2F18	6	60 - 36
H139964	4I18	7	125 - 25	H140749	5F7	4	170 - 31	H142107	2F19	5	60 - 37
H139972	5C6	27	130 - 29	H140750	2B10	..	50 - 6	H142141	4H14	16	121 - 71
H139988	4I6	16	125 - 13	H140751	5F7	4	170 - 31	H142141	4H14	28	121 - 71
H140020	4E10	16	120 - 79	H140768	5F5	20	170 - 29	H142143	4G6	21	121 - 39
H140043	4B16	2	120 - 13	H140803	4B18	9	120 - 15	H142143	4G12	23	121 - 45
H140043	4C2	2	120 - 23	H140803	4B24	3	120 - 21	H142183	2I2	22	70 - 45
H140074	1H14	18	40 - 49	H140804	4B18	5	120 - 15	H142188	4C22	5	120 - 43
H140096	5B16	15	130 - 13	H140836	3E14	19	90 - 35	H142189	4C22	4	120 - 43
H140122	3H4	10	110 - 15	H140836	3G21	19	110 - 7	H142861	3H10	9	110 - 21
H140122	3H6	10	110 - 17	H140848	1B9	19	20 - 7	H142869	3H12	15	110 - 23

NUMERICAL INDEX - CONTINUED

PART NO.	GRID	KEY	PAGE	PART NO.	GRID	KEY	PAGE	PART NO.	GRID	KEY	PAGE
H142870	3H12	24	110 - 23	H144293	2F22	3	60 - 40	H145516	5C8	6	130 - 31
H143317	1J8	1	40 - 93	H144342	2I21	12	70 - 66	H145553	2C3	10	50 - 27
H143332	4H10	3	121 - 67	H144385	2B21	20	50 - 19	H145554	2C3	10	50 - 27
H143354	3H19	1	110 - 31	H144467	4D4	16	120 - 49	H145639	4B22	13	120 - 19
H143358	3I8	9	110 - 45	H144472	3D21	9	90 - 17	H145639	4B24	12	120 - 21
H143407	3H8	20	110 - 19	H144556	4D8	1	120 - 53	H145639	4C4	2	120 - 25
H143408	2B21	12	50 - 19	H144557	4D8	11	120 - 53	H145639	4C4	6	120 - 25
H143420	1E16	15	30 - 3	H144558	4D6	19	120 - 51	H145700	3B8	2	80 - 5
H143420	4G10	11	121 - 43	H144692	1B7	20	20 - 5	H145706	1E16	31	30 - 3
H143426	4E22	24	121 - 7	H144692	5F3	5	170 - 26	H145706	4G10	20	121 - 43
H143430	4E20	2	121 - 5	H144715	3B6	24	80 - 3	H145773	4B16	25	120 - 13
H143439	3F14	8	90 - 59	H144716	3B6	24	80 - 3	H145773	4B16	..	120 - 13
H143445	2B9	5	50 - 5	H144717	3B6	25	80 - 3	H145773	5C6	34	130 - 29
H143453	3C8	13	80 - 29	H144742	4B18	10	120 - 15	H145778	4H14	45	121 - 71
H143453	3C10	17	80 - 31	H144742	4B24	6	120 - 21	H145832	1F4	7	30 - 15
H143454	3C8	14	80 - 29	H144742	4C8	14	120 - 29	H145847	2E10	1	60 - 3
H143454	3C10	18	80 - 31	H144761	4E22	9	121 - 7	H145857	4H14	44	121 - 71
H143460	3D21	8	90 - 17	H144762	4E22	9	121 - 7	H145858	4H14	44	121 - 71
H143462	1H6	10	40 - 41	H144823	4E12	3	120 - 81	H145858	5F5	6	170 - 29
H143465	3B12	25	80 - 9	H144823	5C8	6	130 - 31	H145893	3D15	11	90 - 11
H143489	3I2	9	110 - 39	H144825	3H10	4	110 - 21	H145899	4D8	12	120 - 53
H143593	1G2	33	40 - 17	H144825	4E12	1	120 - 81	H145949	4D8	7	120 - 53
H143610	4B18	12	120 - 15	H144825	5C8	5	130 - 31	H145950	4D8	5	120 - 53
H143610	4C6	4	120 - 27	H144834	4E20	7	121 - 5	H145955	4G2	1	121 - 35
H143615	4E6	15	120 - 75	H144896	4I12	3	125 - 19	H145970	4B16	2	120 - 13
H143632	1F15	11	40 - 5	H144962	3I8	24	110 - 45	H145970	4C2	2	120 - 23
H143731	4C16	20	120 - 37	H144962	3I10	46	110 - 47	H145970	4F14	16	121 - 23
H143735	4J14	9	125 - 45	H144962	4F18	42	121 - 27	H145982	3D17	14	90 - 13
H143757	1B11	16	20 - 9	H144971	5B10	8	130 - 7	H145986	3G4	10	90 - 75
H143891	2B7	13	50 - 3	H145001	4F6	4	121 - 15	H145987	3G4	9	90 - 75
H143918	1F25	10	40 - 15	H145051	2I4	25	70 - 47	H145994	4F18	39	121 - 27
H143918	1F25	16	40 - 15	H145051	2I7	28	70 - 51	H145994	4G2	20	121 - 35
H143918	1F25	17	40 - 15	H145051	2I9	13	70 - 53	H145994	5E4	7	170 - 3
H143918	1G2	20	40 - 17	H145051	2I9	30	70 - 53	H145995	2G4	..	60 - 47
H143918	1G2	22	40 - 17	H145052	2I4	24	70 - 47	H145995	2G5	..	60 - 48
H143918	1G2	24	40 - 17	H145052	2I7	27	70 - 51	H145995	5F7	1	170 - 31
H143918	1G2	27	40 - 17	H145052	2I9	13	70 - 53	H145996	5F7	1	170 - 31
H143948	4I6	4	125 - 13	H145052	2I9	29	70 - 53	H146011	4I6	1	125 - 13
H143949	4I6	10	125 - 13	H145082	3F12	4	90 - 57	H146042	2F2	41	60 - 19
H143950	4I6	9	125 - 13	H145095	4I6	7	125 - 13	H146042	3F19	41	90 - 65
H143951	4I6	14	125 - 13	H145096	4I6	6	125 - 13	H146057	3B8	3	80 - 5
H143952	4I6	12	125 - 13	H145112	4C24	6	120 - 45	H146064	1B5	14	20 - 3
H143955	4I4	12	125 - 11	H145112	4I2	14	125 - 9	H146088	2D22	1	50 - 71
H144013	1H6	9	40 - 41	H145158	1B5	5	20 - 3	H146089	2D22	1	50 - 71
H144029	3C14	7	80 - 35	H145158	5E4	2	170 - 3	H146260	3B12	17	80 - 9
H144032	1J2	18	40 - 87	H145173	2B21	1	50 - 19	H146281	2F17	6	60 - 34
H144052	3H8	26	110 - 19	H145221	1G14	2	40 - 29	H146306	1G18	24	40 - 33
H144094	1I3	5	40 - 63	H145243	4G2	11	121 - 35	H146306	1G20	24	40 - 33B
H144095	1I3	6	40 - 63	H145247	2D18	9	50 - 67	H146306	5D21	10	160 - 5
H144114	1I1	2	40 - 61	H145247	2D22	2	50 - 71	H146308	4H14	37	121 - 71
H144122	4F8	9	121 - 17	H145247	2D24	8	50 - 73	H146310	5D9	41	130 - 59
H144139	1I1	2	40 - 61	H145257	4C4	5	120 - 25	H146315	3F12	15	90 - 57
H144157	4I8	4	125 - 15	H145264	1G16	15	40 - 31	H146318	4B22	4	120 - 19
H144158	4I8	5	125 - 15	H145275	4H12	1	121 - 69	H146318	4C6	5	120 - 27
H144161	4I8	2	125 - 15	H145284	1F25	1	40 - 15	H146327	2E10	13	60 - 3
H144163	4I8	7	125 - 15	H145316	5B23	5	130 - 21	H146391	2F2	22	60 - 19
H144184	2B7	12	50 - 3	H145317	5B23	9	130 - 21	H146391	3F19	22	90 - 65
H144201	3H23	21	110 - 35	H145319	4H14	41	121 - 71	H146392	2F2	21	60 - 19
H144242	1I13	3	40 - 73	H145319	4H16	7	121 - 73	H146392	3F19	21	90 - 65
H144246	1B11	12	20 - 9	H145417	1F17	14	40 - 7	H146394	4G2	17	121 - 35
H144248	1B11	2	20 - 9	H145417	3E10	14	90 - 31	H146395	4G2	18	121 - 35
H144255	1G16	16	40 - 31	H145418	1F15	19	40 - 5	H146414	4H10	6	121 - 67
H144256	1I6	12	40 - 66	H145419	1F15	20	40 - 5	H146429	3F23	29	90 - 69
H144269	2E12	18	60 - 5	H145420	1F15	21	40 - 5	H146457	3I8	10	110 - 45
H144270	2E12	12	60 - 5	H145464	3I8	15	110 - 45	H146457	4B16	27	120 - 13
H144274	3E22	13	90 - 43	H145516	4E13	3	120 - 82	H146457	4B16	..	120 - 13
H144293	2D4	20	50 - 53	H145516	5C8	5	130 - 31	H146457	4G24	19	121 - 57

NUMERICAL INDEX - CONTINUED

PART NO.	GRID	KEY	PAGE	PART NO.	GRID	KEY	PAGE	PART NO.	GRID	KEY	PAGE
H146536	4J8	6	125 - 39	H148166	1E16	25	30 - 3	H149074	5F2	5	170 - 25
H146577	1B5	8	20 - 3	H148166	1E16	26	30 - 3	H149075	5E22	3	170 - 21
H146585	3G19	18	110 - 5	H148187	3I8	4	110 - 45	H149075	5F3	3	170 - 26
H146586	1B5	34	20 - 3	H148202	4I10	1A	125 - 17	H149075	5F5	19	170 - 29
H146636	1B5	45	20 - 3	H148241	4F24	8	121 - 33	H149076	5E20	3	170 - 19
H146636	5E4	3	170 - 3	H148242	4F24	8	121 - 33	H149076	5E22	1	170 - 21
H146639	4E6	22	120 - 75	H148270	1G8	1	40 - 23	H149076	5F8	4	170 - 32
H146640	2B13	4	50 - 9	H148271	1G8	6	40 - 23	H149077	5E18	2	170 - 17
H146646	2B23	22	50 - 21	H148286	2B25	9	50 - 23	H149077	5E24	4	170 - 23
H146672	4D16	1	120 - 61	H148301	4B20	2	120 - 17	H149077	5F3	11	170 - 26
H146730	1I5	4	40 - 65	H148302	4B20	4	120 - 17	H149077	5F5	2	170 - 29
H146730	4B8	7	120 - 5	H148304	4B20	6	120 - 17	H149078	5E24	3	170 - 23
H146756	3C2	7	80 - 23	H148305	4B20	3	120 - 17	H149078	5F5	13	170 - 29
H146757	3C18	19	80 - 39	H148340	1I5	1	40 - 65	H149079	5F2	1	170 - 25
H146757	4D2	18	120 - 47	H148340	1I5	5	40 - 65	H149080	5E24	1	170 - 23
H146766	3H4	20	110 - 15	H148340	2I18	15	70 - 63	H149080	5F5	20	170 - 29
H146766	3H6	20	110 - 17	H148340	5D9	46	130 - 59	H149088	5E10	1	170 - 9
H146767	1B9	22	20 - 7	H148361	4D8	12	120 - 53	H149088	5F8	2	170 - 32
H146775	5C12	4	130 - 35	H148362	4D8	18	120 - 53	H149089	5E20	1	170 - 19
H146950	1J2	9	40 - 87	H148366	2H14	14	70 - 33	H149089	5F8	2	170 - 32
H147004	2E20	1	60 - 13	H148376	5C14	20	130 - 37	H149090	5E12	2	170 - 11
H147068	1F6	8	30 - 17	H148416	1B7	24	20 - 5	H149091	5E22	2	170 - 21
H147111	1F4	12	30 - 15	H148518	5C8	10	130 - 31	H149092	2H12	13	70 - 31
H147137	3C6	..	80 - 27	H148633	4J17	7	125 - 49	H149092	2H14	6	70 - 33
H147192	2F4	10	60 - 21	H148702	5C18	4	130 - 41	H149092	5E16	2	170 - 15
H147192	3F21	10	90 - 67	H148768	4E22	20	121 - 7	H149092	5F5	12	170 - 29
H147249	1F21	1	40 - 11	H148769	4E22	38	121 - 7	H149096	3B24	6	80 - 21
H147299	5C6	15	130 - 29	H148769	4E24	17	121 - 9	H149096	4H6	17	121 - 63
H147302	4H10	2	121 - 67	H148770	4E24	4	121 - 9	H149096	5E10	5	170 - 9
H147304	4H10	1	121 - 67	H148775	2I2	23	70 - 45	H149096	5E14	2	170 - 13
H147415	1E16	23	30 - 3	H148776	1E24	18	30 - 11	H149096	5F3	2	170 - 26
H147468	4B22	17	120 - 19	H148818	3G23	5	110 - 9	H149096	5F5	7	170 - 29
H147482	3H19	10	110 - 31	H148818	3H15	3	110 - 26	H149097	5E20	5	170 - 19
H147483	4F4	1	121 - 13	H148899	1I5	5	40 - 65	H149097	5E24	2	170 - 23
H147483	4F12	1	121 - 21	H148900	1I5	5	40 - 65	H149097	5F3	2	170 - 26
H147486	2H9	6	70 - 28	H148925	4B8	11	120 - 5	H149097	5F5	7	170 - 29
H147593	3H19	3	110 - 31	H148998	3H10	5	110 - 21	H149098	5F2	2	170 - 25
H147660	4J6	11	125 - 37	H149026	4H14	16	121 - 71	H149098	5F5	12	170 - 29
H147752	5C14	27	130 - 37	H149027	4H14	16	121 - 71	H149099	5E8	3	170 - 7
H147789	4C16	3	120 - 37	H149037	5E10	4	170 - 9	H149099	5E16	3	170 - 15
H147845	4B6	1	120 - 3	H149037	5F3	10	170 - 26	H149099	5F3	14	170 - 26
H147846	4J8	22	125 - 39	H149040	5E20	4	170 - 19	H149099	5F5	14	170 - 29
H147911	4F4	3	121 - 13	H149040	5F3	10	170 - 26	H149100	5E18	3	170 - 17
H147911	4F12	3	121 - 21	H149046	5E20	2	170 - 19	H149100	5F2	3	170 - 25
H147967	4J14	29	125 - 45	H149062	5C2	9	130 - 25	H149100	5F3	14	170 - 26
H148000	3B6	22	80 - 3	H149062	5E10	3	170 - 9	H149100	5F5	14	170 - 29
H148018	4B8	4	120 - 5	H149062	5E12	1	170 - 11	H149102	4H8	20	121 - 65
H148019	4B8	3	120 - 5	H149062	5F8	4	170 - 32	H149102	4H14	36	121 - 71
H148021	4B8	2	120 - 5	H149063	3H6	38	110 - 17	H149102	5E8	1	170 - 7
H148023	4B8	20	120 - 5	H149063	3H8	22	110 - 19	H149103	4H14	36	121 - 71
H148025	4I8	6	125 - 15	H149063	3H25	16	110 - 37	H149103	5E18	1	170 - 17
H148056	5C8	9	130 - 31	H149063	3I10	36	110 - 47	H149454	1E18	14	30 - 5
H148058	4B10	15	120 - 7	H149063	5E8	2	170 - 7	H149459	3H10	7	110 - 21
H148058	4B12	21	120 - 9	H149063	5E14	4	170 - 13	H149460	3H10	8	110 - 21
H148066	4B10	16	120 - 7	H149063	5F3	11	170 - 26	H149461	3H10	2	110 - 21
H148107	4I6	8	125 - 13	H149063	5F5	25	170 - 29	H149461	3H10	3	110 - 21
H148116	5C8	8	130 - 31	H149064	5E8	4	170 - 7	H149480	3D19	18	90 - 15
H148131	4F12	27	121 - 21	H149064	5E16	5	170 - 15	H149504	3G19	14	110 - 5
H148132	3G17	24	110 - 3	H149064	5F3	3	170 - 26	H149517	3H12	7	110 - 23
H148132	3I20	8	110 - 57	H149064	5F5	19	170 - 29	H149518	3H12	6	110 - 23
H148132	4F4	15	121 - 13	H149065	5E12	3	170 - 11	H149523	3H12	19	110 - 23
H148133	3G17	25	110 - 3	H149066	5E14	3	170 - 13	H149780	5C21	1	130 - 45
H148133	3I20	9	110 - 57	H149066	5F5	2	170 - 29	H149780	5C23	1	130 - 47
H148133	4F4	16	121 - 13	H149067	5E16	1	170 - 15	H149788	1H12	9	40 - 47
H148134	3G17	29	110 - 3	H149068	2B16	2	50 - 13	H149793	5C19	5	130 - 42
H148134	3I20	13	110 - 57	H149068	3E12	2	90 - 33	H149803	2I9	6	70 - 53
H148134	4F4	19	121 - 13	H149074	5E18	4	170 - 17	H149804	2I9	33	70 - 53

NUMERICAL INDEX - CONTINUED

PART NO.	GRID	KEY	PAGE	PART NO.	GRID	KEY	PAGE	PART NO.	GRID	KEY	PAGE
H149869	5C19	4	130 - 42	H151048	4B12	18	120 - 9	H153480	3E14	4	90 - 35
H149992	4H14	16	121 - 71	H151061	1B11	6	20 - 9	H153520	4D2	8	120 - 47
H150034	4D22	14	120 - 67	H151067	4B8	9	120 - 5	H153524	4G12	9	121 - 45
H150047	3D15	10	90 - 11	H151068	4B8	19	120 - 5	H153524	4G16	10	121 - 49
H150054	2H9	1	70 - 28	H151087	2C11	18	50 - 35	H153648	4D14	1	120 - 59
H150054	3H4	9	110 - 15	H151087	2C12	18	50 - 36	H153649	4D14	3	120 - 59
H150054	3H6	9	110 - 17	H151161	2B7	17	50 - 3	H153721	3G11	21	90 - 83
H150055	2H9	17	70 - 28	H151166	3F17	1	90 - 62	H153722	3G11	22	90 - 83
H150055	3H4	6	110 - 15	H151181	4H8	6	121 - 65	H153728	2G4	..	60 - 47
H150055	3H6	6	110 - 17	H151182	4H8	1	121 - 65	H153760	4D14	5	120 - 59
H150062	2I9	31	70 - 53	H151318	4B20	..	120 - 17	H154195	3B12	5	80 - 9
H150091	4D4	8	120 - 49	H151376	1F15	17	40 - 5	H154216	4E8	4	120 - 77
H150092	4D4	19	120 - 49	H151397	5B18	10	130 - 15	H154331	3H23	22	110 - 35
H150117	5B6	15	130 - 3	H151476	4B12	19	120 - 9	H154362	3B12	3	80 - 9
H150119	3E7	..	90 - 28	H151484	4B18	19	120 - 15	H154720	2C1	15	50 - 24
H150128	4B10	1	120 - 7	H151527	4B12	24	120 - 9	H154757	3C4	10	80 - 25
H150130	4B10	3	120 - 7	H151575	2G4	..	60 - 47	H154757	4D2	17	120 - 47
H150131	4B10	19	120 - 7	H151575	5F7	1	170 - 31	H154762	4D2	4	120 - 47
H150133	4B10	5	120 - 7	H151579	1J6	1	40 - 91	H154763	4D2	3	120 - 47
H150134	4B10	2	120 - 7	H151585	2D18	16	50 - 67	H154929	4D22	8	120 - 67
H150134	4B12	16	120 - 9	H151585	2I24	1	70 - 69	H154959	4J8	30	125 - 39
H150222	2D10	15	50 - 59	H151607	3H12	5	110 - 23	H154999	5F3	15	170 - 26
H150222	2D12	12	50 - 61	H151629	2I21	8	70 - 66	H155459	3G17	5	110 - 3
H150222	2D14	14	50 - 63	H151694	2I21	11	70 - 66	H155510	1F15	3	40 - 5
H150223	2D10	11	50 - 59	H151739	2F17	7	60 - 34	H155510	5E12	4	170 - 11
H150223	2D12	10	50 - 61	H151757	3H6	30	110 - 17	H155968	5B6	33	130 - 3
H150223	2D14	18	50 - 63	H151897	4D8	15	120 - 53	H155973	4G8	28	121 - 41
H150268	4D16	18	120 - 61	H151908	1F25	10	40 - 15	H155973	2B11	5	50 - 7
H150317	3B16	9	80 - 13	H151908	1F25	16	40 - 15	H156127	2B12	3	50 - 8
H150383	2F2	15	60 - 19	H151908	1F25	17	40 - 15	H156360	4B20	7	120 - 17
H150383	3F19	15	90 - 65	H151908	1G2	20	40 - 17	H156390	2F2	42	60 - 19
H150385	3F23	31	90 - 69	H151908	1G2	22	40 - 17	H156390	3F19	42	90 - 65
H150401	4H8	8	121 - 65	H151908	1G2	24	40 - 17	H156390	5E14	1	170 - 13
H150401	4H8	9	121 - 65	H151908	1G2	27	40 - 17	H156513	2E12	3	60 - 5
H150402	4H8	14	121 - 65	H151952	3I6	7	110 - 43	H156514	2E12	1	60 - 5
H150402	4H8	15	121 - 65	H151952	4F10	25	121 - 19	H156576	3H19	12	110 - 31
H150403	4H8	10	121 - 65	H151952	4G22	12	121 - 55	H156578	3H19	11	110 - 31
H150404	4H8	13	121 - 65	H151952	5E5	1	170 - 4	H156579	3H19	14	110 - 31
H150408	4H8	23	121 - 65	H152047	3C10	15	80 - 31	H156580	3H19	5	110 - 31
H150411	2I21	3	70 - 66	H152048	3C8	11	80 - 29	H156717	4D12	2	120 - 57
H150412	2I21	6	70 - 66	H152062	3H8	33	110 - 19	H156718	4D12	2	120 - 57
H150434	3H6	34	110 - 17	H152135	3C18	17	80 - 39	H156800	4D10	5	120 - 55
H150455	3E16	9	90 - 37	H152146	4G16	21	121 - 49	H156801	4D10	6	120 - 55
H150458	3I8	13	110 - 45	H152164	2E10	7	60 - 3	H156936	4C10	1	120 - 31
H150514	4B12	10	120 - 9	H152165	2E12	18	60 - 5	H156936	4C14	1	120 - 35
H150588	3H23	10	110 - 35	H152166	2E12	12	60 - 5	H157014	2C3	3	50 - 27
H150646	2G4	..	60 - 47	H152170	2F2	25	60 - 19	H157067	3G17	20	110 - 3
H150646	5F7	1	170 - 31	H152170	3F19	25	90 - 65	H157282	4D6	17	120 - 51
H150662	3G19	19	110 - 5	H152171	2F2	4	60 - 19	H157566	3F23	5	90 - 69
H150681	1F15	8	40 - 5	H152171	3F19	4	90 - 65	H157740	4D18	6	120 - 63
H150682	4B12	22	120 - 9	H152172	2F4	10	60 - 21	H157740	4D20	11	120 - 65
H150746	3C18	13	80 - 39	H152172	3F21	10	90 - 67	H157741	4D24	6	120 - 69
H150746	4B12	5	120 - 9	H152173	2F4	2	60 - 21	H157742	4D24	6	120 - 69
H150749	3B24	7	80 - 21	H152173	3F21	2	90 - 67	H157743	4D18	7	120 - 63
H150763	5F5	9	170 - 29	H152174	2F4	12	60 - 21	H157743	4D20	12	120 - 65
H150837	4B16	24	120 - 13	H152174	3F21	12	90 - 67	H157744	4D24	7	120 - 69
H150910	4D2	7	120 - 47	H152180	4G16	21	121 - 49	H157752	4D20	6	120 - 65
H150920	2I20	13	70 - 65	H152464	4E8	3	120 - 77	H157967	4B22	11	120 - 19
H150923	1I9	3	40 - 69	H152464	4E8	5	120 - 77	H157967	4B24	2	120 - 21
H150926	2I20	1	70 - 65	H152465	4E8	3	120 - 77	H158292	1I6	6	40 - 66
H150929	1F25	1	40 - 15	H152465	4E8	5	120 - 77	H158525	3F23	21	90 - 69
H150943	1B12	2	20 - 10	H152616	4D12	8	120 - 57	H158579	3G13	11	90 - 85
H150951	3E2	10	90 - 23	H152617	4D12	7	120 - 57	H158596	2J2	9	70 - 71
H150980	2D18	6	50 - 67	H152868	1B20	1	20 - 19	H158601	1F15	19	40 - 5
H150980	2I24	8	70 - 69	H152916	5B6	10	130 - 3	H158614	3C24	2	80 - 45
H150982	2D18	3	50 - 67	H153438	3F23	6	90 - 69	H158615	4J21	9	125 - 53
H150983	2I24	5	70 - 69	H153479	3E14	5	90 - 35	H158616	3C24	12	80 - 45

NUMERICAL INDEX - CONTINUED

PART NO.	GRID	KEY	PAGE	PART NO.	GRID	KEY	PAGE	PART NO.	GRID	KEY	PAGE
H158627	3C24	9	80 - 45	H162061	5F5	4	170 - 29	H164756	4H4	37B	121 - 61
H158629	4J21	3	125 - 53	H162064	5F5	24	170 - 29	H164757	1J18	6	40 - 103
H158633	3C24	3	80 - 45	H162068	5F3	8	170 - 26	H164759	3C14	18	80 - 35
H158638	2I10	5	70 - 54	H162069	5F5	1	170 - 29	H164771	1J18	4	40 - 103
H158638	4J21	6	125 - 53	H162070	5F5	5	170 - 29	H164774	1E24	20	30 - 11
H158646	3C22	7	80 - 43	H162071	5F3	1	170 - 26	H164774	3I18	12	110 - 55
H158749	3B6	2	80 - 3	H162084	5F3	17	170 - 26	H164775	3I18	1	110 - 55
H158817	5D2	19	130 - 51	H162138	1B5	46	20 - 3	H164794	2B23	20	50 - 21
H158830	3F23	3	90 - 69	H162138	3B12	10	80 - 9	H164872	1I9	22B	40 - 69
H158845	1B5	50	20 - 3	H162177	3H25	15	110 - 37	H164921	2F4	42	60 - 21
H158860	3G19	34	110 - 5	H162177	3I10	27	110 - 47	H164921	3F21	42	90 - 67
H158884	2F22	1	60 - 40	H162211	3I10	20	110 - 47	H164952	1F13	2	40 - 3
H158942	2I21	10	70 - 66	H162269	3I6	27	110 - 43	H165243	4H16	16	121 - 73
H158951	3H8	12	110 - 19	H162278	3I10	25	110 - 47	H165246	5F5	15	170 - 29
H159291	2I10	3	70 - 54	H162288	3I6	26	110 - 43	H165247	4H14	44	121 - 71
H159533	3H8	11	110 - 19	H162325	3H25	2	110 - 37	H165247	5F5	6	170 - 29
H159534	3H8	19	110 - 19	H162326	3H25	7	110 - 37	H165291	2F2	25	60 - 19
H159613	3H19	6	110 - 31	H162425	3H25	14	110 - 37	H165291	3F19	25	90 - 65
H159614	3H19	13	110 - 31	H162425	3I10	23	110 - 47	H165292	2F2	4	60 - 19
H159636	3F23	30	90 - 69	H162569	2F4	41	60 - 21	H165292	3F19	4	90 - 65
H159712	5F3	18	170 - 26	H162569	3F21	41	90 - 67	H165293	2F4	10	60 - 21
H159712	5F5	30	170 - 29	H162584	2J2	7	70 - 71	H165293	3F21	10	90 - 67
H159743	3F23	37	90 - 69	H162585	2J2	8	70 - 71	H165294	2F4	2	60 - 21
H159806	1J16	7	40 - 101	H162629	4F12	25	121 - 21	H165294	3F21	2	90 - 67
H159831	1F11	1	40 - 1	H162629	4G2	3	121 - 35	H165317	3I8	24	110 - 45
H159975	3H8	2	110 - 19	H162629	5E4	6	170 - 3	H165317	3I10	42	110 - 47
H159975	3H12	26	110 - 23	H162748	3D19	23	90 - 15	H165318	3I8	21	110 - 45
H160024	1B20	6	20 - 19	H162996	1J17	4	40 - 102	H165318	3I10	43	110 - 47
H160171	5B14	15	130 - 11	H163010	3I18	14	110 - 55	H165320	3C22	14	80 - 43
H160171	5B25	10	130 - 23	H163175	3I10	22	110 - 47	H165508	2B23	4	50 - 21
H160171	5E4	5	170 - 3	H163215	5F5	28	170 - 29	H165510	2B12	12	50 - 8
H160187	3D2	6	80 - 47	H163216	5F3	16	170 - 26	H165510	2C3	8	50 - 27
H160265	3B6	30	80 - 3	H163216	5F5	27	170 - 29	H165585	3B16	15	80 - 13
H160319	5B18	11	130 - 15	H163382	5F5	29	170 - 29	H165587	3B16	21	80 - 13
H160359	1B11	3	20 - 9	H163397	3F23	4	90 - 69	H165662	2B12	14	50 - 8
H160360	3B12	3	80 - 9	H163491	2G4	10	60 - 47	H165663	2B12	14	50 - 8
H160459	5F5	26	170 - 29	H163561	2B11	5	50 - 7	H165664	2B12	14	50 - 8
H160476	1G18	3	40 - 33	H163726	4F4	14	121 - 13	H165665	2C3	10	50 - 27
H160476	1G20	3	40 - 33B	H163757	4J19	1	125 - 51	H165666	2C3	10	50 - 27
H160596	3E16	5	90 - 37	H163787	5D4	12	130 - 53	H165691	2G10	11	70 - 3
H160701	5F5	16	170 - 29	H163994	3I10	13	110 - 47	H165691	3E8	4	90 - 29
H160715	4J8	28	125 - 39	H164009	3I10	31	110 - 47	H165691	3E16	3	90 - 37
H160733	3C24	8	80 - 45	H164018	3I10	40	110 - 47	H165691	3G13	13	90 - 85
H160869	3I6	9	110 - 43	H164030	3I10	14A	110 - 47	H165693	2F2	24	60 - 19
H160880	1H8	6	40 - 43	H164222	3I10	10	110 - 47	H165693	2F4	11	60 - 21
H160880	4H16	18	121 - 73	H164222	4B18	20	120 - 15	H165693	3F19	24	90 - 65
H160978	3D2	1	80 - 47	H164222	4C6	17	120 - 27	H165693	3F21	11	90 - 67
H161021	3F23	1	90 - 69	H164348	1I9	7	40 - 69	H165693	3G13	9	90 - 85
H161091	3E16	13	90 - 37	H164391	3I8	20	110 - 45	H166148	2I10	3	70 - 54
H161155	1B20	10	20 - 19	H164391	3I10	44	110 - 47	H166201	2C3	11	50 - 27
H161228	1E24	3	30 - 11	H164404	1H22	6	40 - 57	H166216	3G19	11	110 - 5
H161289	3E4	15	90 - 25	H164411	3I10	47	110 - 47	H166357	1I7	2	40 - 67
H161387	3G25	21	110 - 11	H164452	3I12	11	110 - 49	H166395	1B16	..	20 - 15
H161387	3I6	16	110 - 43	H164494	3I14	7	110 - 51	H166395	1F4	..	30 - 15
H161388	3I6	15	110 - 43	H164508	3C20	12	80 - 41	H166971	3G25	21	110 - 11
H161529	5D4	19	130 - 53	H164537	3H4	29	110 - 15	H166971	3I6	16	110 - 43
H161544	3I6	20	110 - 43	H164537	3H6	33	110 - 17	H167173	3D23	1	90 - 19
H161549	1F15	4	40 - 5	H164537	3H25	17	110 - 37	H167174	3D23	1	90 - 19
H161566	3G19	11	110 - 5	H164537	3I10	9	110 - 47	H167375	2B17	5	50 - 14
H161648	3G17	12	110 - 3	H164556	4J19	3	125 - 51	H167587	4I2	20	125 - 9
H161648	3G25	10	110 - 11	H164605	4I10	1A	125 - 17	H167723	2C1	7	50 - 24
H161648	3I12	10	110 - 49	H164605	4I10	1B	125 - 17	H167912	3E16	5	90 - 37
H161648	5E5	6	170 - 4	H164612	1B9	23	20 - 7	H168019	4J8	41	125 - 39
H162012	1B9	25	20 - 7	H164632	1I7	1	40 - 67	H168125	3G19	14	110 - 5
H162055	2F4	42	60 - 21	H164754	4H4	4	121 - 61	H168126	3G17	7	110 - 3
H162055	3F21	42	90 - 67	H164755	4H4	2	121 - 61	H168166	2B12	1	50 - 8
H162061	5F3	4	170 - 26	H164756	4H4	37A	121 - 61	H168278	3I8	19	110 - 45

NUMERICAL INDEX - CONTINUED

PART NO.	GRID	KEY	PAGE	PART NO.	GRID	KEY	PAGE	PART NO.	GRID	KEY	PAGE
H168278	3I10	14B	110 - 47	H172337	1B7	1	20 - 5	H75423	2F22	5	60 - 40
H168278	3I10	14C	110 - 47	H172923	2E12	18	60 - 5	H75541	1B18	8	20 - 17
H168419	1F11	1	40 - 1	H172924	2E12	12	60 - 5	H75541	1F4	13	30 - 15
H168420	1G16	16	40 - 31	H172944	3E4	12	90 - 25	H75541	2H14	24	70 - 33
H168421	1F15	4	40 - 5	H173011	5D9	41	130 - 59	H75700	2B17	7	50 - 14
H168423	1F17	2	40 - 7	H173218	2F25	7	60 - 43	H75716	4J4	35	125 - 35
H168423	3E10	2	90 - 31	H173218	2F25	11	60 - 43	H75952	5B6	22	130 - 3
H168424	1F17	3	40 - 7	H173218	2F25	15	60 - 43	H75985	5B8	10	130 - 5
H168424	3E10	3	90 - 31	H173223	5C10	34	130 - 33	H76064	1G14	9	40 - 29
H168424	3G13	11	90 - 85	H173336	5F5	15	170 - 29	H76064	1H24	19	40 - 59
H168425	3F12	10	90 - 57	H173824	5E24	1	170 - 23	H76083	3H6	37	110 - 17
H168426	1G2	33	40 - 17	H173824	5F5	20	170 - 29	H76083	3H8	31	110 - 19
H168429	3E8	1	90 - 29	H174266	2G4	..	60 - 47	H76083	4J8	18	125 - 39
H168430	3E8	6	90 - 29	H174266	5F7	1	170 - 31	H76152	2B13	7	50 - 9
H168431	3D13	3	90 - 9	H175540	4D22	1	120 - 67	H76863	4E13	2	120 - 82
H168432	3E16	13	90 - 37	H175590	4E4	5	120 - 73	H76863	5C8	5	130 - 31
H168433	3E16	4	90 - 37	H175703	3H8	4	110 - 19	H76933	4I2	28	125 - 9
H168434	3F16	5	90 - 61	H22784	2C1	14	50 - 24	H77358	3F12	11	90 - 57
H168744	2B12	1	50 - 8	H23125	1C6	1	24 - 4	H77507	1E16	7	30 - 3
H168745	2B12	1	50 - 8	H23196	3G11	6	90 - 83	H77512	4B14	6	120 - 11
H168780	2G10	11	70 - 3	H2383H	4H4	8	121 - 61	H77514	4B14	5	120 - 11
H168780	3E8	4	90 - 29	H23950	4H12	6	121 - 69	H77698	1H18	12	40 - 53
H168780	3E16	3	90 - 37	H25099	4G18	6	121 - 51	H77698	2E18	..	60 - 11
H168780	3G13	13	90 - 85	H25360	3G23	7	110 - 9	H77698	3G11	..	90 - 83
H168781	3E16	9	90 - 37	H26552	4J12	16	125 - 43	H77698	3I6	14	110 - 43
H168924	1G8	2	40 - 23	H27433	4H4	19	121 - 61	H77698	4I20	16	125 - 27
H168924	4C24	13	120 - 45	H27433	5E5	3	170 - 4	H77739	2B7	11	50 - 3
H168924	4H12	3	121 - 69	H28031	5D12	7	130 - 63	H78340	4G24	4	121 - 57
H168961	2B7	14	50 - 3	H28865	3G23	8	110 - 9	H78340	4I20	30	125 - 27
H168988	2B9	16	50 - 5	H29623	5C10	18	130 - 33	H78354	4H25	4	125 - 7
H168988	2C14	23	50 - 39	H35112	2G19	4	70 - 12	H80197	3G17	24	110 - 3
H168989	2B7	13	50 - 3	H35891	4B16	..	120 - 13	H80306	1J18	6	40 - 103
H168998	1J6	1	40 - 91	H36155	4C24	29	120 - 45	H80440	2F13	4	60 - 30
H169344	1B16	3	20 - 15	H36221	3D9	11	90 - 5	H80753	2F4	35	60 - 21
H169344	5E10	2	170 - 9	H36221	3G11	20	90 - 83	H80753	3F21	35	90 - 67
H169509	2I21	5	70 - 66	H36256	2F4	48	60 - 21	H80796	5F5	10	170 - 29
H169604	3G17	20	110 - 3	H36256	3F21	48	90 - 67	H80821	2I12	10	70 - 57
H169764	5F5	29	170 - 29	H63271	2C5	3	50 - 29	H80821	2I14	11	70 - 59
H169793	1E16	9	30 - 3	H63271	2C6	6	50 - 30	H80821	4I24	10	125 - 31
H169794	1E16	6	30 - 3	H63271	2C9	17	50 - 33	H80896	3G4	15	90 - 75
H170105	5E20	2	170 - 19	H63271	2C11	26	50 - 35	H80896	5E4	4	170 - 3
H170303	1E22	2	30 - 9	H63271	2C12	26	50 - 36	H80926	3G23	2	110 - 9
H170634	1J12	9	40 - 97	H63271	2C16	9	50 - 41	H80926	3H15	1	110 - 26
H170634	3G17	30	110 - 3	H63288	2C17	13	50 - 42	H81330	5C6	5	130 - 29
H170634	3G19	..	110 - 5	H63288	2C17	15	50 - 42	H81461	2E16	30	60 - 9
H170634	3I20	19	110 - 57	H63289	2C11	3	50 - 35	H81467	2E16	17	60 - 9
H170634	3I20	25	110 - 57	H63289	2C12	3	50 - 36	H82060	5C2	15	130 - 25
H170645	3G17	3	110 - 3	H63289	2C17	14	50 - 42	H82232	2B19	3	50 - 17
H170967	5B23	14	130 - 21	H63289	2C17	15	50 - 42	H82233	2B19	4	50 - 17
H170967	5B23	20	130 - 21	H63289	2G14	10	70 - 7	H82234	2B19	2	50 - 17
H171006	4J8	9	125 - 39	H63289	4I14	10	125 - 21	H82418	4G14	23	121 - 47
H171061	1B9	16	20 - 7	H64374	4C24	1	120 - 45	H82619	4E20	18	121 - 5
H171061	4F24	13	121 - 33	H64375	4H12	2	121 - 69	H82620	4F10	7	121 - 19
H171061	4G6	15	121 - 39	H64375	4H12	12	121 - 69	H82620	4F12	32	121 - 21
H171061	4G14	11	121 - 47	H64376	4B16	1	120 - 13	H83055	3E22	11	90 - 43
H171061	4G22	4	121 - 55	H64376	4C2	1	120 - 23	H83135	2B10	..	50 - 6
H171061	4H2	18	121 - 59	H64376	4F14	15	121 - 23	H83285	1B7	10	20 - 5
H171061	4H4	34	121 - 61	H64376	5C10	2	130 - 33	H83790	1J10	2	40 - 95
H171061	4J12	12	125 - 43	H64584	3C16	16	80 - 37	H83791	1J10	3	40 - 95
H171061	5B25	13	130 - 23	H64584	5C4	7	130 - 27	H83795	4I2	26	125 - 9
H171318	3H25	15	110 - 37	H64612	1E16	19	30 - 3	H84026	3H23	4	110 - 35
H171318	3I10	27	110 - 47	H64813	2C16	29	50 - 41	H84375	2G4	3	60 - 47
H171977	3B24	12	80 - 21	H748DA	4G6	8	121 - 39	H84375	2G5	2	60 - 48
H172116	4J21	3	125 - 53	H75267	4F6	3	121 - 15	H84932	4H25	16	125 - 7
H172142	3I16	10	110 - 53	H75358	2B19	30	50 - 17	H84942	3H23	18	110 - 35
H172177	3H25	14	110 - 37	H75385	4E20	14	121 - 5	H84948	3E14	16	90 - 35
H172177	3I10	23	110 - 47	H75423	2D4	19	50 - 53	H84948	3G21	16	110 - 7

NUMERICAL INDEX - CONTINUED

PART NO.	GRID	KEY	PAGE	PART NO.	GRID	KEY	PAGE	PART NO.	GRID	KEY	PAGE
H84990	4H14	26	121 - 71	H96232	4G2	13	121 - 35	JD10342	4F14	6	121 - 23
H84990	4H16	2	121 - 73	H96267	5C10	6	130 - 33	JD10343	4B16	8	120 - 13
H85015	4J4	22	125 - 35	H96294	5C10	14	130 - 33	JD10343	4C2	7	120 - 23
H85184	3C4	12	80 - 25	H96297	5C10	13	130 - 33	JD10343	4F14	13	121 - 23
H85184	3C18	1	80 - 39	H96298	5C10	13	130 - 33	JD10387	4H16	4	121 - 73
H85184	3C20	6	80 - 41	H96345	5C19	8	130 - 42	JD10401	2C3	2	50 - 27
H85184	3C22	13	80 - 43	H96391	3E22	7	90 - 43	JD10462	2C20	8	50 - 45
H85184	4C20	7	120 - 41	H96455	3F14	2	90 - 59	JD37285	4E18	14	121 - 3
H85184	4D2	12	120 - 47	H96645	5C25	12	130 - 49	JD37285	4E22	3	121 - 7
H85184	4H14	23	121 - 71	H96645	5D2	17	130 - 51	JD39102	1B5	38	20 - 3
H85233	3D11	5	90 - 7	H96652	5C14	12	130 - 37	JD39102	4J17	6	125 - 49
H85233	4E6	20	120 - 75	H96652	5C21	21	130 - 45	JD39102	4J17	14	125 - 49
H86108	1E22	4	30 - 9	H96690	3D19	8	90 - 15	JD39102	5B6	5	130 - 3
H86760	4J9	10	125 - 40	H96690	4D22	11	120 - 67	JD39103	4J4	5	125 - 35
H86783	4G8	12	121 - 41	H96690	5C14	4	130 - 37	JD39103	4J14	15	125 - 45
H86886	3E24	8	90 - 45	H96869	2F21	3	60 - 39	JD39103	5B6	11	130 - 3
H86896	5F8	3	170 - 32	H97306	4F12	38	121 - 21	JD39103	5B14	4	130 - 11
H871R	1G6	1	40 - 21	H97308	3G17	16	110 - 3	JD39104	4E10	10	120 - 79
H871R	1G7	1	40 - 22	H97322	3H21	12	110 - 33	JD39104	4H4	24	121 - 61
H871R	3G19	4	110 - 5	H97322	3H23	17	110 - 35	JD39104	5D4	20	130 - 53
H871R	4F18	8	121 - 27	H97378	3I6	5	110 - 43	JD39104	5D6	9	130 - 55
H87206	4G12	28	121 - 45	H97410	3G17	33	110 - 3	JD39104	5D9	34	130 - 59
H87268	4E6	12	120 - 75	H97410	3I20	15	110 - 57	JD39109	4G12	53	121 - 45
H87691	2B11	4	50 - 7	H97513	4G6	4	121 - 39	JD5400	5E8	5	170 - 7
H87691	2B12	6	50 - 8	H97574	4J4	19	125 - 35	JD5400	5E18	5	170 - 17
H88769	3B12	7	80 - 9	H98111	3D19	18	90 - 15	JD5927	5E8	5	170 - 7
H88769	3B12	14	80 - 9	H98111	3D19	19	90 - 15	JD7126	5D4	11	130 - 53
H88773	3F23	6	90 - 69	H98655	3H2	27	110 - 13	JD7292	4F6	11	121 - 15
H88773	5B6	17	130 - 3	H987R	1G14	7	40 - 29	JD7298	2C1	10	50 - 24
H89241	2J6	3	70 - 75	H98765	2I18	3	70 - 63	JD7378	4F6	10	121 - 15
H89297	3H2	6	110 - 13	H98765	5D9	2	130 - 59	JD7395	4F8	11	121 - 17
H89515	4G18	12	121 - 51	H99147	1B9	16	20 - 7	JD7418	4F8	10	121 - 17
H89525	4G12	29	121 - 45	H99147	4F24	13	121 - 33	JD7425	2B23	9	50 - 21
H89544	3B6	13	80 - 3	H99147	4G6	15	121 - 39	JD7441	4F18	29	121 - 27
H89569	5C2	8	130 - 25	H99147	4G14	11	121 - 47	JD7448	2C20	9	50 - 45
H89617	3G19	6	110 - 5	H99147	4G22	4	121 - 55	JD7502	2B23	3	50 - 21
H91205	4C22	11	120 - 43	H99147	4H2	18	121 - 59	JD7681	5B23	13	130 - 21
H91228	4I2	12	125 - 9	H99147	4H4	34	121 - 61	JD7686	4G8	22	121 - 41
H91315	3E8	5	90 - 29	H99147	4J12	12	125 - 43	JD7689	5B23	11	130 - 21
H91788	4G18	13	121 - 51	H99147	5B25	13	130 - 23	JD7759	2F21	18	60 - 39
H91796	4I2	15	125 - 9	H99149	4B16	3	120 - 13	JD7759	2F22	6	60 - 40
H92308	2B23	21	50 - 21	H99149	4C2	3	120 - 23	JD7759	3I6	10	110 - 43
H93084	3I6	13	110 - 43	H99149	4F14	12	121 - 23	JD7759	4B16	11	120 - 13
H93399	4G16	26	121 - 49	H99264	2E12	17	60 - 5	JD7759	4C2	10	120 - 23
H93630	4F12	23	121 - 21	H99294	2F4	46	60 - 21	JD7759	4C16	23	120 - 37
H93631	4F12	22	121 - 21	H99294	3F21	46	90 - 67	JD7759	4F14	9	121 - 23
H93645	4F14	3	121 - 23	H99303	3H17	10	110 - 29	JD7759	4F24	1	121 - 33
H93927	3G23	17	110 - 9	H99613	5C19	2	130 - 42	JD7759	4G2	4	121 - 35
H93927	3I20	27	110 - 57	H99613	5C19	3	130 - 42	JD7759	4G2	5	121 - 35
H94167	4C24	24	120 - 45	H99897	1E16	2	30 - 3	JD7759	4G16	5	121 - 49
H94386	4F22	13	121 - 31	H99923	2F13	4	60 - 30	JD7759	5B18	8	130 - 15
H94386	4G14	24	121 - 47	H99923	3E18	20	90 - 39	JD7759	5C10	19	130 - 33
H94950	2F21	17	60 - 39	H99923	3F16	16	90 - 61	JD7760	2B25	4	50 - 23
H94951	2F21	8	60 - 39	H99923	4B16	18	120 - 13	JD7760	3I18	2	110 - 55
H95273	5F8	3	170 - 32	JD10010	3G19	15	110 - 5	JD7760	3I22	3	110 - 59
H95368	2B7	19	50 - 3	JD10011	3G19	21	110 - 5	JD7767	4C24	15	120 - 45
H95417	3G17	32	110 - 3	JD10011	4G10	2	121 - 43	JD7788	1B9	26	20 - 7
H95417	3I20	16	110 - 57	JD10017	4F12	14	121 - 21	JD7788	2F23	9	60 - 41
H95499	3H2	16	110 - 13	JD10018	3I6	4	110 - 43	JD7788	2F25	13	60 - 43
H95547	2G4	5	60 - 47	JD10020	3H19	2	110 - 31	JD7788	2G2	13	60 - 45
H95902	2E12	16	60 - 5	JD10032	4F18	45	121 - 27	JD7788	4C16	29	120 - 37
H96149	5C10	7	130 - 33	JD10182	2B19	24	50 - 17	JD7788	4D4	2	120 - 49
H96169	5C10	1	130 - 33	JD10214	4F18	30	121 - 27	JD7788	4G2	6	121 - 35
H96226	4G2	14	121 - 35	JD10266	2C1	11	50 - 24	JD7788	4G24	18	121 - 57
H96227	4G2	12	121 - 35	JD10312	4G24	9	121 - 57	JD7797	2F13	3	60 - 30
H96228	5C14	3	130 - 37	JD10342	4B16	7	120 - 13	JD7797	2F23	1	60 - 41
H96228	5C19	12	130 - 42	JD10342	4C2	6	120 - 23	JD7797	2F25	1	60 - 43

NUMERICAL INDEX - CONTINUED

PART NO.	GRID	KEY	PAGE	PART NO.	GRID	KEY	PAGE	PART NO.	GRID	KEY	PAGE
JD7797	2G2	1	60-45	JD8819	3G19	41	110-5	M15973	4I2	20	125-9
JD7797	4E20	3	121-5	JD8902	2F21	14	60-39	M1746T	1C22	6	24-21
JD7797	4F4	8	121-13	JD8952	2F21	10	60-39	M2353T	4F24	15	121-33
JD7797	4F10	5	121-19	JD8960	4F18	4	121-27	M41029	2B19	35	50-17
JD7797	4F18	25	121-27	JD8979	2B21	6	50-19	M41029	2I14	2	70-59
JD7797	4G12	38	121-45	JD9007	4E24	12	121-9	M41029	4I24	2	125-31
JD7797	4H4	25	121-61	JD9007	4F2	4	121-11	M43518	2C9	31	50-33
JD7797	4J4	20	125-35	JD9043	2C24	5	50-49	M43835	1G22	10	40-35
JD7797	5C19	13	130-42	JD9075	4F2	12	121-11	M43835	1G24	10	40-35B
JD7797	5D9	25	130-59	JD9076	2C9	9	50-33	M43835	1I17	2	40-77
JD7798	3G17	13	110-3	JD9078	4F8	1	121-17	M44269	4C8	3	120-29
JD7798	4F12	26	121-21	JD9091	4E18	1	121-3	M45123	4F20	3	121-29
JD7799	2D4	11	50-53	JD9092	2C1	4	50-24	M47566	4C12	10	120-33
JD7806	5C14	2	130-37	JD9109	2C24	4	50-49	M48000	2C9	2	50-33
JD7839	4F24	10	121-33	JD9113	2C5	4	50-29	M48000	2C14	15	50-39
JD7842	3I22	12	110-59	JD9113	2C16	28	50-41	M48869	2I12	23	70-57
JD7844	4H16	5	121-73	JD9132	4F2	13	121-11	M48869	2I14	4	70-59
JD7845	4B16	9	120-13	JD9133	2C9	9	50-33	M48869	4I24	4	125-31
JD7845	4C2	8	120-23	JD9146	4E18	2	121-3	M61266	1G10	8	40-25
JD7845	4C16	19	120-37	JD9147	2C1	5	50-24	M63707	2D8	13	50-57
JD7845	4F14	11	121-23	JD9201	3G23	15	110-9	M63707	2J7	13	70-76
JD7845	4J23	1	125-55	JD9201	3I20	26	110-57	M63707	4F16	9	121-25
JD7845	4J25	3	125-57	JD9201	4C16	14	120-37	M63707	4F18	17	121-27
JD7845	5D14	4	130-65	JD9202	3G23	19	110-9	M66044	1H24	21	40-59
JD7846	4G12	5	121-45	JD9202	3I20	28	110-57	M68701	1G14	5	40-29
JD7846	4G16	15	121-49	JD9219	5B20	5	130-17	M68701	3C8	10	80-29
JD7846	4H14	8	121-71	JD9219	5B21	5	130-18	M68701	3C10	14	80-31
JD7847	2C20	14	50-45	JD9273	4C24	4	120-45	M71184	1G4	7	40-19
JD7847	2D4	11	50-53	JD9301	3I16	4	110-53	M71184	1G4	8	40-19
JD8147	2B23	8	50-21	JD9313	4J4	11	125-35	M71442	1G4	5	40-19
JD8162	4E18	14	121-3	JD9313	4J9	6	125-40	M71442	1G4	7	40-19
JD8162	4E22	3	121-7	JD9356	3I16	7	110-53	M71442	1G4	8	40-19
JD8162	4E24	5	121-9	JD9373	3H19	7	110-31	M71770	2I9	18	70-53
JD8164	4F6	7	121-15	JD9373	5D2	4	130-51	M72598	3C18	7	80-39
JD8182	2B21	18	50-19	JD9434	4C16	16	120-37	M72598	3H4	19	110-15
JD8206	4E18	15	121-3	JD9442	4I2	17	125-9	M72598	4D2	10	120-47
JD8206	4E22	2	121-7	JD9490	4D4	6	120-49	M72598	4D20	9	120-65
JD8206	4E24	6	121-9	JD9849	2C20	2	50-45	M72598	4I10	3	125-17
JD8206	4F2	2	121-11	J16931	1B5	21	20-3	M73000	3G23	11	110-9
JD8210	4F6	6	121-15	J16931	1B9	24	20-7	M73000	3I20	22	110-57
JD8222	2C3	1	50-27	J16931	2I18	13	70-63	M73346	4G10	12	121-43
JD8223	2B21	19	50-19	J16931	4J14	5	125-45	M78494	1F6	3	30-17
JD8237	2B19	23	50-17	J16931	5C10	36	130-33	M80082	1G6	1	40-21
JD8237	2F21	13	60-39	J16931	5D9	40	130-59	M80082	1G7	1	40-22
JD8239	4F18	3	121-27	J18468	5C25	14	130-49	M80082	4J8	38	125-39
JD8255	4F8	2	121-17	J18468	5D2	23	130-51	M84309	4E6	14	120-75
JD8257	2B19	5	50-17	J21022	4J4	15	125-35	M84309	5C4	29	130-27
JD8258	2F21	11	60-39	J2375M	2H12	1	70-31	M84309	5C6	32	130-29
JD8267	2B21	5	50-19	J2375M	2H14	3	70-33	M84971	1B11	11	20-9
JD8524	5C10	8	130-33	K40001	2H12	25	70-31	M84972	5C2	6	130-25
JD8551	3H23	27	110-35	K40001	2H14	21	70-33	M86436	1G22	1	40-35
JD8552	3H23	29	110-35	K40003	5C25	5	130-49	M87733	1D10	2	24-33
JD8554	4C22	17	120-43	K40003	5D2	10	130-51	M87733	1D12	2	24-35
JD8554	4I2	11	125-9	L1730N	3H2	3	110-13	M93425	3C22	4	80-43
JD8554	5C25	9	130-49	L24517	2G21	7	70-15	M93425	3H4	15	110-15
JD8554	5D2	13	130-51	L29041	4E18	3	121-3	M93425	3H6	29	110-17
JD8563	4I2	18	125-9	L29042	4E18	3	121-3	N102039	2B13	9	50-9
JD8576	3I16	8	110-53	L29043	4E18	3	121-3	N10213	1G12	9	40-27
JD8576	4H14	9	121-71	L29044	4E18	3	121-3	N10215	3E18	6	90-39
JD8576	4H16	10	121-73	L33993	1I3	1	40-63	N10215	3F16	11	90-61
JD8665	4C24	11	120-45	L3483N	4I20	22	125-27	N10217	2F6	13	60-23
JD8665	4I2	7	125-9	L36230	2I20	14	70-65	N10217	2F8	8	60-25
JD8665	5C25	11	130-49	L38138	1G4	5	40-19	N10217	2G12	4	70-5
JD8665	5D2	16	130-51	M111701	1B5	20	20-3	N10217	2G21	16	70-15
JD8668	4F12	16	121-21	M112271	5C10	35	130-33	N10217	2G25	10	70-19
JD8669	4F12	14	121-21	M112639	4I6	15	125-13	N10217	2H2	6	70-21
JD8676	4E22	34	121-7	M121T	1J2	5	40-87	N10217	2H4	12	70-23

NUMERICAL INDEX - CONTINUED

PART NO.	GRID	KEY	PAGE	PART NO.	GRID	KEY	PAGE	PART NO.	GRID	KEY	PAGE
N109389	5B6	12	130 - 3	PF80112	5B10	12	130 - 7	RE12363	1H4	21	40 - 39
N110085	4J4	29	125 - 35	PF80113	5B10	13	130 - 7	RE12363	1H4	25	40 - 39
N110085	4J12	7	125 - 43	PM797NA	1I19	57	40 - 79	RE12363	1H6	13	40 - 41
N110085	5E4	8	170 - 3	PM797NA	1I21	40	40 - 81	RE12363	1H8	7	40 - 43
N115096	1I17	11	40 - 77	PT2314	1G18	4	40 - 33	RE12363	1H8	20	40 - 43
N126584	2C9	18	50 - 33	PT2314	1G20	4	40 - 33B	RE12363	1H10	10	40 - 45
N126585	2C5	6	50 - 29	P43363	4H4	21	121 - 61	RE12363	1H12	16	40 - 47
N126586	2C14	13	50 - 39	P43969	2B19	25	50 - 17	RE12363	1H22	22	40 - 57
N126599	2C9	7	50 - 33	P44439	4I2	6	125 - 9	RE12363	1H24	23	40 - 59
N126599	2C10	4	50 - 34	P44478	5D9	39	130 - 59	RE12363	1H24	24	40 - 59
N126600	2C9	10	50 - 33	P45458	3G4	7	90 - 75	RE12363	1I5	6	40 - 65
N126600	2C10	1	50 - 34	P45750	2G21	7	70 - 15	RE12363	1I15	11	40 - 75
N126601	2C11	7	50 - 35	P45750	2I21	2	70 - 66	RE12363	1I23	3	40 - 83
N126601	2C12	7	50 - 36	P46402	4F22	8	121 - 31	RE12363	1I25	2	40 - 85
N126602	2C9	27	50 - 33	P46402	4G6	12	121 - 39	RE12363	2G10	13	70 - 3
N126603	2C9	1	50 - 33	P46402	4G14	8	121 - 47	RE12363	2J6	15	70 - 75
N126609	2C9	6	50 - 33	P46402	4G22	1	121 - 55	RE12364	1H2	22	40 - 37
N126609	2C10	2	50 - 34	P46402	4H2	15	121 - 59	RE12364	1H4	22	40 - 39
N126612	2C5	22	50 - 29	P46402	4J12	9	125 - 43	RE12364	1I15	16	40 - 75
N126612	2C16	37	50 - 41	P46402	5B25	11	130 - 23	RE12365	1H2	24	40 - 37
N126638	2C11	2	50 - 35	P46770	4E18	4	121 - 3	RE12365	1H4	24	40 - 39
N126638	2C12	2	50 - 36	P46874	3I12	5	110 - 49	RE12365	1I15	20	40 - 75
N126641	2C14	10	50 - 39	P46874	3I16	5	110 - 53	RE12366	1H22	24	40 - 57
N126654	2C17	4	50 - 42	P46874	5B23	10	130 - 21	RE12366	1I15	25	40 - 75
N12679	2E18	26	60 - 11	P47140	2E10	23	60 - 3	RE12366	1J12	1	40 - 97
N128541	2C17	5	50 - 42	P47159	3B6	17	80 - 3	RE13541	3E18	24	90 - 39
N130510	2C17	8	50 - 42	P48347	2C11	17	50 - 35	RE19797	1D8	5	24 - 31
N134803	4G8	27	121 - 41	P48347	2H23	4	70 - 42	RE19799	1D8	19	24 - 31
N139123	4F8	13	121 - 17	P48691	4F12	28	121 - 21	RE19800	1D8	20	24 - 31
N15764	5B20	4	130 - 17	P48925	3E24	2	90 - 45	RE20768	4G8	19	121 - 41
N15764	5B21	4	130 - 18	P50273	4H2	9	121 - 59	RE21790	1E10	3	24 - 60
N189220	5D2	21	130 - 51	P50456	3G17	23	110 - 3	RE21790	1E22	5	30 - 9
N191174	2C5	24	50 - 29	P50456	3I20	7	110 - 57	RE22642	2C20	16	50 - 45
N191174	2C16	42	50 - 41	P51212	3G4	1	90 - 75	RE23182	1C5	2	24 - 3
N196034	2C5	21	50 - 29	P5403H	4C2	15	120 - 23	RE24307	1H16	6	40 - 51
N196034	2C16	40	50 - 41	P5403H	4C6	..	120 - 27	RE24307	3G4	5	90 - 75
N197422	2B23	13	50 - 21	RE11156	1I19	36	40 - 79	RE26409	1D10	3	24 - 33
N199920	2B17	2	50 - 14	RE11157	1I19	37	40 - 79	RE27837	2D2	5	50 - 51
N205021	2H23	5	70 - 42	RE11157	1J6	15	40 - 91	RE31617	1D4	13	24 - 27
N205022	2H23	10	70 - 42	RE12049	3E18	..	90 - 39	RE31701	2C20	6	50 - 45
N209312	2H23	5	70 - 42	RE12180	1H16	9	40 - 51	RE32824	2C20	10	50 - 45
N232713	2H12	24	70 - 31	RE12325	2F23	10	60 - 41	RE32856	1C22	1A	24 - 21
N232713	2H14	20	70 - 33	RE12325	2F25	14	60 - 43	RE32856	1C22	10	24 - 21
N276475	2B25	9	50 - 23	RE12325	2G2	14	60 - 45	RE32856	1C22	11	24 - 21
N282070	1G20	11	40 - 33B	RE12326	2F23	5	60 - 41	RE33336	2C18	1	50 - 43
N282070	1G20	20	40 - 33B	RE12326	2F25	5	60 - 43	RE33337	2C18	1	50 - 43
N282070	1G24	1	40 - 35B	RE12326	2G2	5	60 - 45	RE33636	1E22	8	30 - 9
N282070	1G24	3	40 - 35B	RE12330	1I15	14	40 - 75	RE35161	3D15	1	90 - 11
N282070	1H4	17	40 - 39	RE12331	1I15	12	40 - 75	RE35992	1C5	3	24 - 3
N282070	1H6	15	40 - 41	RE12332	1I15	18	40 - 75	RE37651	1J6	16	40 - 91
N282070	1H6	17	40 - 41	RE12333	1I15	21	40 - 75	RE38065	1C22	1A	24 - 21
N31772	2D8	8	50 - 57	RE12334	1I15	8	40 - 75	RE39131	2C22	6	50 - 47
N31772	2J7	8	70 - 76	RE12362	1H22	21	40 - 57	RE40048	1F2	4	30 - 13
N34986	2I14	12	70 - 59	RE12362	1I15	4	40 - 75	RE42068	1G20	6	40 - 33B
N52258	4D4	7	120 - 49	RE12362	1I25	6	40 - 85	RE42068	1G20	9	40 - 33B
N61654	4F22	3	121 - 31	RE12363	1F13	10	40 - 3	RE42068	1G20	10	40 - 33B
N61654	4G22	13	121 - 55	RE12363	1F23	2	40 - 13	RE42068	1G20	20	40 - 33B
N61709	4I10	5	125 - 17	RE12363	1G4	11	40 - 19	RE42068	1G24	2	40 - 35B
N61709	5C6	40	130 - 29	RE12363	1G20	25	40 - 33B	RE42068	1G24	3	40 - 35B
N71921	5C10	4	130 - 33	RE12363	1G22	11	40 - 35	RE42068	1G24	14A	40 - 35B
N71922	3G19	20	110 - 5	RE12363	1G24	11	40 - 35B	RE42068	1H4	15	40 - 39
N72989	5C19	11	130 - 42	RE12363	1H2	14	40 - 37	RE42068	1H4	17	40 - 39
N72989	5C25	1	130 - 49	RE12363	1H2	16	40 - 37	RE42068	1H4	27	40 - 39
N72989	5D2	1	130 - 51	RE12363	1H2	21	40 - 37	RE43511	1E11	1	24 - 61
PF10026	5C2	16	130 - 25	RE12363	1H2	25	40 - 37	RE44574	1E6	4	24 - 55
PF80021	5B12	18	130 - 9	RE12363	1H4	14	40 - 39	RE44574	1E9	18	24 - 59
PF80105	5B12	18	130 - 9	RE12363	1H4	16	40 - 39	RE46609	3G4	16	90 - 75

NUMERICAL INDEX - CONTINUED

PART NO.	GRID	KEY	PAGE	PART NO.	GRID	KEY	PAGE	PART NO.	GRID	KEY	PAGE
RE46609	3G5	..	90-76	RE59296	1D18	2	24-41	RE67239	1C11	5	24-9
RE46684	1D16	4	24-39	RE59315	1E5	4	24-54	RE68401	2C20	16	50-45
RE46685	1C15	28	24-13	RE59355	1E1	2	24-50	RE68495	1J16	1	40-101
RE46685	1C22	9	24-21	RE59438	1D12	4	24-35	RE68695	1C7	9	24-5
RE46685	1D13	10	24-36	RE59468	1D12	11	24-35	RE68722	1E2	1	24-51
RE46685	1D18	6	24-41	RE59579	1C22	1B	24-21	RE68748	1D8	4	24-31
RE46686	1D18	7	24-41	RE59579	1D14	1	24-37	RE69243	1C20	1	24-19
RE46686	1D20	5	24-43	RE59582	1C18	6	24-17	RE69372	1C6	6	24-4
RE46716	1C24	2	24-23	RE59702	1E4	4	24-53	RE70107	1E13	3	24-63
RE48310	1E22	11	30-9	RE59754	1C24	7	24-23	RE70400	1C6	6	24-4
RE48310	1H18	17	40-53	RE59801	1C6	5	24-4	RE70486	1D23	2	24-47
RE48321	1E22	11	30-9	RE59810	1C11	11	24-9	RE70487	1D23	3	24-47
RE48786	1D6	8	24-29	RE59810	1E9	19	24-59	RE70848	1D8	3	24-31
RE48786	1D6	10	24-29	RE59811	1C8	4	24-6	RE70957	1D23	8	24-47
RE49243	2C20	1	50-45	RE59811	1C8	22	24-6	RE71121	1E11	1	24-61
RE49243	2C20	6	50-45	RE59908	1C24	4A	24-23	RE71143	1C18	10	24-17
RE500005	1C19	4A	24-18	RE59908	1C24	8	24-23	RE71240	1D13	15	24-36
RE500005	1C19	4B	24-18	RE60005	1D4	3	24-27	RE71256	1D23	6	24-47
RE500133	1C24	4A	24-23	RE60022	1D20	11	24-43	RE71527	1C19	6	24-18
RE500133	1C24	4B	24-23	RE60026	1D20	12	24-43	RV702A	2E10	25	60-3
RE500160	1D20	11	24-43	RE60029	1D8	22	24-31	RV810A	4J8	14	125-39
RE500160	1D20	19	24-43	RE60029	1D20	4	24-43	RV810A	5B8	3	130-5
RE500608	1C12	3	24-10	RE60037	1D20	2	24-43	R100369	1D13	14	24-36
RE500631	1C8	15	24-6	RE60055	1D8	7	24-31	R100377	1D25	3	24-49
RE500737	1D13	16	24-36	RE60056	1D8	8	24-31	R10093	3G2	5	90-73
RE500753	1D8	25	24-31	RE60057	1D8	9	24-31	R10093	3G4	3	90-75
RE501377	1C19	5	24-18	RE60058	1D8	10	24-31	R101085	1C11	3A	24-9
RE501456	1E9	31	24-59	RE60059	1D8	11	24-31	R101225	1C8	11	24-6
RE501456	1E9	33	24-59	RE60060	1D8	12	24-31	R101225	1C8	14	24-6
RE50173	1C18	6	24-17	RE60071	1D9	3	24-32	R104592	1C15	5	24-13
RE501938	1C11	3A	24-9	RE60075	1D10	3	24-33	R104592	1D4	5	24-27
RE501938	1C11	3B	24-9	RE60854	1D20	17	24-43	R104595	1G14	6	40-29
RE502239	1D12	11	24-35	RE62419	1D20	10	24-43	R104595	1G14	18	40-29
RE502249	1C22	1C	24-21	RE63832	3F10	2	90-55	R104846	1G20	10	40-33B
RE502269	1C18	6	24-17	RE64354	1D16	7	24-39	R104846	1H4	27	40-39
RE502987	1C6	6	24-4	RE65165	1C8	7	24-6	R105581	3E18	13	90-39
RE503092	1D8	13	24-31	RE65168	1C8	10	24-6	R107731	1C7	9	24-5
RE503609	1C19	6	24-18	RE65347	1H8	22	40-43	R107731	1C7	11	24-5
RE504122	1B18	7	20-17	RE65693	3F6	1	90-51	R107734	1I1	11	40-61
RE50752	1D20	9	24-43	RE65694	3F6	3	90-51	R107749	1E2	2	24-51
RE50770	1C12	3	24-10	RE65695	3F4	3	90-49	R109863	1C8	12	24-6
RE51052	3G5	2	90-76	RE65908	1C12	11	24-10	R111137	1C15	10	24-13
RE51281	1E2	1	24-51	RE65909	1C12	11	24-10	R111692	4C10	3	120-31
RE51649	1D20	1	24-43	RE65911	1C8	7	24-6	R111692	4C14	3	120-35
RE52326	1C19	4A	24-18	RE65912	1C8	10	24-6	R111995	2C20	1	50-45
RE52454	3G5	1	90-76	RE65965	1C15	3	24-13	R111995	2C20	6	50-45
RE52506	3G7	1	90-79	RE65965	1C17	1	24-15	R112679	4C10	5	120-31
RE52507	3G8	1	90-80	RE65969	1C12	8	24-10	R112679	4C14	5	120-35
RE52508	3G7	3	90-79	RE65969	1C12	10	24-10	R112857	2C5	26	50-29
RE52509	3G9	1	90-81	RE65978	1D12	6	24-35	R112857	2C16	38	50-41
RE52510	3G7	2	90-79	RE66083	1E7	12	24-56	R113050	3G2	3	90-73
RE52553	3F4	4	90-49	RE66085	1E7	17	24-56	R113050	3G6	2	90-77
RE52555	3F10	1	90-55	RE66087	1E9	31	24-59	R113565	1D20	6	24-43
RE52850	1C8	4	24-6	RE66087	1E9	33	24-59	R114081	1C12	3	24-10
RE54885	1D12	8	24-35	RE66097	1E9	31	24-59	R114082	1C12	2	24-10
RE55277	1F15	..	40-5	RE66097	1E9	33	24-59	R114083	1C12	1	24-10
RE55277	1G16	20	40-31	RE66153	1D21	2	24-44	R114193	1C8	20	24-6
RE55278	1F15	..	40-5	RE66298	1D21	4	24-44	R114194	1C8	23	24-6
RE55278	1G16	20	40-31	RE66820	1C12	6	24-10	R114241	1C15	17	24-13
RE56165	4C10	9	120-31	RE67013	1J16	5	40-101	R115250	1D14	3	24-37
RE56165	4C14	9	120-35	RE67014	1J16	8	40-101	R115252	1D18	10	24-41
RE56313	1C8	15	24-6	RE67015	1J16	6	40-101	R115390	1C15	15	24-13
RE56369	1C8	21	24-6	RE67231	1D18	1	24-41	R115742	3G5	..	90-76
RE56578	1C9	4	24-7	RE67238	1C19	1	24-18	R115743	3G7	4	90-79
RE56690	1D18	2	24-41	RE67238	1C24	6	24-23	R116076	1C8	4	24-6
RE57489	1D4	14	24-27	RE67238	1D18	14	24-41	R116115	1C24	4A	24-23
RE58862	1C18	10	24-17	RE67238	1D18	17	24-41	R116115	1C24	9	24-23

NUMERICAL INDEX - CONTINUED

PART NO.	GRID	KEY	PAGE	PART NO.	GRID	KEY	PAGE	PART NO.	GRID	KEY	PAGE
R116116	1D20	15	24 - 43	R123543	1E7	1	24 - 56	R135896	1E7	3	24 - 56
R116296	1C19	2	24 - 18	R123543	1E9	1	24 - 59	R135896	1E9	3	24 - 59
R116366	1D6	5	24 - 29	R123561	1C8	5	24 - 6	R135918	1E6	5	24 - 55
R116386	1C13	1	24 - 11	R123562	1C8	6	24 - 6	R136475	1C13	3	24 - 11
R116386	1D8	18	24 - 31	R123563	1C8	8	24 - 6	R136483	1C19	5	24 - 18
R116466	1C15	12	24 - 13	R123564	1C8	9	24 - 6	R136495	1C19	3	24 - 18
R116516	1D4	12	24 - 27	R123565	1C7	10	24 - 5	R136514	1C19	8	24 - 18
R116516	1E7	8	24 - 56	R123570	1D12	3	24 - 35	R136515	1E9	22	24 - 59
R116516	1E9	8	24 - 59	R123570	1E7	6	24 - 56	R136516	1C11	1	24 - 9
R119565	1C15	3	24 - 13	R123570	1E9	6	24 - 59	R136516	1E9	22	24 - 59
R119565	1C17	1	24 - 15	R123572	1D10	5	24 - 33	R15036	1I3	14	40 - 63
R119874	1C15	6	24 - 13	R123572	1E7	11	24 - 56	R1818R	2B17	4	50 - 14
R120467	1D2	1	24 - 25	R123572	1E9	11	24 - 59	R1964R	4G16	22	121 - 49
R120631	1C8	3	24 - 6	R123574	1C6	2	24 - 4	R20135	4F24	3	121 - 33
R120635	1C8	15	24 - 6	R123575	1C6	3	24 - 4	R20136	3G17	27	110 - 3
R120638	1C18	13	24 - 17	R123575	1E7	7	24 - 56	R20136	3I20	11	110 - 57
R120641	1C8	12	24 - 6	R123575	1E9	7	24 - 59	R21612	2E16	27	60 - 9
R120757	1D12	8	24 - 35	R123584	1C11	18	24 - 9	R26125	1D4	4	24 - 27
R121036	1D13	1	24 - 36	R123588	1D16	9	24 - 39	R26192	2F2	28	60 - 19
R121038	1D14	3	24 - 37	R123591	1C24	8	24 - 23	R26192	2F2	30	60 - 19
R121043	1C15	9	24 - 13	R123593	1D8	4	24 - 31	R26192	3F19	28	90 - 65
R121376	1C18	7	24 - 17	R123593	1D8	28	24 - 31	R26192	3F19	30	90 - 65
R121411	1C11	8	24 - 9	R123616	1C15	27	24 - 13	R26207	2B13	6	50 - 9
R121416	1D16	1	24 - 39	R124578	3G2	17	90 - 73	R26265	2B21	7	50 - 19
R121416	1E7	3	24 - 56	R130055	1C20	2	24 - 19	R26375	1H18	21	40 - 53
R121416	1E9	3	24 - 59	R130574	1C8	8	24 - 6	R26375	1H18	22	40 - 53
R121424	1C11	7	24 - 9	R130575	1C8	9	24 - 6	R26375	2B17	10	50 - 14
R121608	1D4	14	24 - 27	R130576	1C8	5	24 - 6	R26375	2D4	12	50 - 53
R121635	1D14	7	24 - 37	R130577	1C8	6	24 - 6	R26375	2D20	28	50 - 69
R121674	1C6	4	24 - 4	R130602	1C12	2	24 - 10	R26375	2D24	1	50 - 73
R121897	1E1	3	24 - 50	R131016	1D16	1	24 - 39	R26375	2E24	5	60 - 17
R122183	1E6	1	24 - 55	R131182	1C15	21	24 - 13	R26375	2F6	1	60 - 23
R123161	1C7	7	24 - 5	R131206	1C8	16	24 - 6	R26375	2G17	1	70 - 10
R123174	1C8	11	24 - 6	R131283	1C8	16	24 - 6	R26375	2G19	2	70 - 12
R123177	1C12	5	24 - 10	R131283	1C8	19	24 - 6	R26375	2G21	5	70 - 15
R123179	1C18	6	24 - 17	R131769	1E6	2	24 - 55	R26375	2G25	33	70 - 19
R123198	1E5	4	24 - 54	R132166	1D25	4	24 - 49	R26375	2H4	3	70 - 23
R123226	1D13	9	24 - 36	R132167	1D25	10	24 - 49	R26375	2H6	1	70 - 25
R123226	1D16	8	24 - 39	R132168	1E4	1	24 - 53	R26375	2H8	8	70 - 27
R123226	1E7	4	24 - 56	R132186	1C15	20	24 - 13	R26375	2H12	19	70 - 31
R123226	1E9	4	24 - 59	R132203	1D5	1	24 - 28	R26375	2H14	8	70 - 33
R123271	1C7	5	24 - 5	R132267	1D8	14	24 - 31	R26375	2H16	18	70 - 35
R123273	1D21	7	24 - 44	R132518	1C15	7	24 - 13	R26375	2H20	1	70 - 39
R123273	1E9	20	24 - 59	R132690	1E13	2	24 - 63	R26375	2H23	9	70 - 42
R123323	1D16	3	24 - 39	R132874	1D8	15	24 - 31	R26375	2I16	8	70 - 61
R123324	1D16	11	24 - 39	R133187	1D9	1	24 - 32	R26375	2J6	2	70 - 75
R123345	1E7	5	24 - 56	R133296	1E1	1	24 - 50	R26375	2J11	7	70 - 81
R123345	1E9	5	24 - 59	R133303	1C9	3	24 - 7	R26375	3G19	30	110 - 5
R123354	1C22	2	24 - 21	R133405	1D21	5	24 - 44	R26375	4F6	20	121 - 15
R123354	1E7	13	24 - 56	R133617	1F17	17	40 - 7	R26375	4G10	16	121 - 43
R123354	1E9	12	24 - 59	R133617	3E10	17	90 - 31	R26375	4I22	14	125 - 29
R123355	1C13	3	24 - 11	R133812	1C9	2	24 - 7	R26375	5B23	15	130 - 21
R123417	1D13	13	24 - 36	R134240	1C20	3	24 - 19	R26375	5D18	4	160 - 2
R123417	1E9	21	24 - 59	R134403	1D2	5	24 - 25	R26448	1E20	9	30 - 7
R123421	1E9	22	24 - 59	R134527	1C13	2	24 - 11	R26448	2C11	20	50 - 35
R123425	1E9	22	24 - 59	R134531	1C11	2	24 - 9	R26448	2C12	20	50 - 36
R123471	1D18	5	24 - 41	R134533	1E9	22	24 - 59	R26448	2C14	19	50 - 39
R123475	1C24	4A	24 - 23	R134534	1C11	1	24 - 9	R26448	2C16	21	50 - 41
R123501	1D18	3	24 - 41	R134534	1E9	22	24 - 59	R26448	2D7	7	50 - 56
R123501	1E9	23	24 - 59	R134725	1C22	3B	24 - 21	R26448	2D20	10	50 - 69
R123502	1D18	8	24 - 41	R135057	1C22	3A	24 - 21	R26448	2D20	27	50 - 69
R123502	1E9	13	24 - 59	R135177	1D18	11	24 - 41	R26448	2E6	1	50 - 79
R123504	1E9	24	24 - 59	R135440	1C9	1	24 - 7	R26448	2E24	14	60 - 17
R123514	1C7	2	24 - 5	R135440	1C9	4	24 - 7	R26448	2F12	1	60 - 29
R123525	1C24	1A	24 - 23	R135509	1D23	4	24 - 47	R26448	2G14	17	70 - 7
R123525	1E9	25	24 - 59	R135510	1D23	1	24 - 47	R26448	2G25	27	70 - 19
R123543	1C6	7	24 - 4	R135896	1D16	10	24 - 39	R26448	2H2	19	70 - 21

NUMERICAL INDEX - CONTINUED

PART NO.	GRID	KEY	PAGE	PART NO.	GRID	KEY	PAGE	PART NO.	GRID	KEY	PAGE
R26448	2H6	23	70 - 25	R28782	2D7	9	50 - 56	R38131	4F18	36	121 - 27
R26448	2H22	4	70 - 41	R28782	2D20	17	50 - 69	R39081	3G19	16	110 - 5
R26448	2I2	27	70 - 45	R28782	2G17	9	70 - 10	R39112	2D4	13	50 - 53
R26448	2I7	3	70 - 51	R28782	2I2	20	70 - 45	R39112	2J11	8	70 - 81
R26448	2I9	3	70 - 53	R28782	2I4	19	70 - 47	R39112	3G19	40	110 - 5
R26448	2I12	20	70 - 57	R28782	2I22	6	70 - 67	R394R	2B19	7	50 - 17
R26448	2I16	7	70 - 61	R28782	2I22	12	70 - 67	R39554	2F2	3	60 - 19
R26448	2I18	14	70 - 63	R28782	2J6	14	70 - 75	R39554	2F2	8	60 - 19
R26448	2I22	9	70 - 67	R28811	1E5	3	24 - 54	R39554	3F19	3	90 - 65
R26448	2J4	9	70 - 73	R29936	2D18	14	50 - 67	R39554	3F19	8	90 - 65
R26448	2J6	10	70 - 75	R29936	2D20	35	50 - 69	R39741	1C15	22	24 - 13
R26448	2J11	2	70 - 81	R29936	2D21	9	50 - 70	R39825	1E24	16	30 - 11
R26448	2J11	10	70 - 81	R29936	2E24	12	60 - 17	R39876	2C24	2	50 - 49
R26448	3G19	39	110 - 5	R29936	2G23	2	70 - 17	R40915	4C10	6	120 - 31
R26448	4I14	17	125 - 21	R29936	2H16	15	70 - 35	R40915	4C14	6	120 - 35
R26448	5D18	8	160 - 2	R29936	2H20	15	70 - 39	R41076	4C10	2	120 - 31
R26493	1C15	11	24 - 13	R29936	2H20	24	70 - 39	R41076	4C14	2	120 - 35
R26501	2F4	30	60 - 21	R29936	4I18	5	125 - 25	R42009	2E20	6	60 - 13
R26501	3F21	30	90 - 67	R29936	4I20	13	125 - 27	R42729	1B15	2	20 - 14
R26524	2F4	32	60 - 21	R30378	1I19	43	40 - 79	R42729	1C7	6	24 - 5
R26524	3F21	32	90 - 67	R30399	2F21	15	60 - 39	R42926	2D8	1	50 - 57
R26650	1C15	13	24 - 13	R30815	2G19	6	70 - 12	R42926	2J7	1	70 - 76
R26650	2C20	15	50 - 45	R30903	2C7	4	50 - 31	R43305	4E18	6	121 - 3
R26650	2C22	5	50 - 47	R30903	2C7	5	50 - 31	R43383	4D16	16	120 - 61
R26871	4C10	4	120 - 31	R30903	2C7	6	50 - 31	R43383	4D22	20	120 - 67
R26871	4C14	4	120 - 35	R30903	2I4	14	70 - 47	R43409	1D4	9	24 - 27
R26906	2C7	2	50 - 31	R31250	1H24	13	40 - 59	R44302	1F21	..	40 - 11
R26906	2C17	2	50 - 42	R31378	3I6	2	110 - 43	R44302	1G6	1	40 - 21
R26906	2G12	13	70 - 5	R31674	2D7	4	50 - 56	R44302	1G7	1	40 - 22
R26906	2G23	5	70 - 17	R31890	3E18	15	90 - 39	R44302	1J10	5	40 - 95
R26906	2H10	14	70 - 29	R32011	1I21	8	40 - 81	R44302	2H8	9	70 - 27
R26906	2H16	1	70 - 35	R32016	1I21	10	40 - 81	R44302	2H14	13	70 - 33
R26906	2H20	14	70 - 39	R32017	1I21	11	40 - 81	R44302	4E8	8	120 - 77
R26906	2H24	17	70 - 43	R32018	1I21	12	40 - 81	R44302	5C18	6	130 - 41
R26906	2I5	16	70 - 49	R32019	1I21	13	40 - 81	R44342	2F2	38	60 - 19
R26906	2J4	2	70 - 73	R32021	1I21	14	40 - 81	R44342	3F19	38	90 - 65
R26906	2J6	17	70 - 75	R32022	1I21	15	40 - 81	R45182	2D7	3	50 - 56
R26906	3G19	33	110 - 5	R32023	1I21	16	40 - 81	R45187	2D8	3	50 - 57
R26906	4E20	8	121 - 5	R32024	1J3	3	40 - 88	R45187	2J7	3	70 - 76
R26906	4I20	11	125 - 27	R32025	1J3	4	40 - 88	R45638	2D8	4	50 - 57
R26906	4I22	10	125 - 29	R32026	1I19	48	40 - 79	R45638	2J7	4	70 - 76
R26906	5D19	14	160 - 3	R32026	1I21	17	40 - 81	R45847	3G11	4	90 - 83
R27166	2C14	9	50 - 39	R32027	1I21	18	40 - 81	R46414	3C4	3	80 - 25
R27175	2C16	31	50 - 41	R32027	1J4	1	40 - 89	R46414	3F23	7	90 - 69
R27175	2C17	1	50 - 42	R32028	1I21	19	40 - 81	R46701	2D8	5	50 - 57
R27218	2C11	21	50 - 35	R32176	1I9	11	40 - 69	R46701	2J7	5	70 - 76
R27218	2C12	21	50 - 36	R32176	1I9	19B	40 - 69	R47160	1E10	2	24 - 60
R27218	2C14	20	50 - 39	R32214	2C20	13	50 - 45	R47160	1E22	6	30 - 9
R27218	2D7	8	50 - 56	R32214	2D6	4	50 - 55	R47449	2J6	26	70 - 75
R27218	2J6	13	70 - 75	R32239	2G10	12	70 - 3	R47460	1I3	11	40 - 63
R27218	2J11	6	70 - 81	R33058	3G19	8	110 - 5	R47693	1B18	5	20 - 17
R27218	3G19	37	110 - 5	R33079	3G19	3	110 - 5	R47998	2F2	37	60 - 19
R27441	3F16	18	90 - 61	R33088	3G19	5	110 - 5	R47998	3F19	37	90 - 65
R27474	4E20	9	121 - 5	R33138	2B17	11	50 - 14	R48000	1D6	8	24 - 29
R27564	2H24	14	70 - 43	R33138	2J6	1	70 - 75	R48685	1C8	1	24 - 6
R27564	4F12	42	121 - 21	R33259	3G2	2	90 - 73	R48685	1C15	1	24 - 13
R27796	2B23	7	50 - 21	R33259	3G6	3	90 - 77	R48808	1D25	11	24 - 49
R27928	2H10	6	70 - 29	R33521	2J6	33	70 - 75	R48887	1I17	17	40 - 77
R27928	5D19	6	160 - 3	R34337	1G12	14	40 - 27	R495R	2B19	17	50 - 17
R28583	1E10	1	24 - 60	R34404	2C11	17	50 - 35	R495R	3H10	3	110 - 21
R28583	1E22	7	30 - 9	R34404	2C12	17	50 - 36	R500001	1C19	7	24 - 18
R28776	2H10	1	70 - 29	R34404	4C10	7	120 - 31	R500270	1D21	1	24 - 44
R28776	2J6	4	70 - 75	R34404	4C14	7	120 - 35	R500271	1D21	6	24 - 44
R28776	5D19	1	160 - 3	R35352	2B25	6	50 - 23	R500321	1E4	6	24 - 53
R28782	2C9	36	50 - 33	R35542	5D4	3	130 - 53	R500335	1C12	3	24 - 10
R28782	2C17	10	50 - 42	R35794	2E24	16	60 - 17	R500352	1E2	2	24 - 51
R28782	2C24	10	50 - 49	R36119	1B5	17	20 - 3	R500363	1C8	15	24 - 6

NUMERICAL INDEX - CONTINUED

PART NO.	GRID	KEY	PAGE	PART NO.	GRID	KEY	PAGE	PART NO.	GRID	KEY	PAGE
R500374	1C24	1B	24 - 23	R60172	3G2	16	90 - 73	R66626	3I10	7	110 - 47
R500374	1C24	4A	24 - 23	R60239	2D4	4	50 - 53	R66718	3B12	16	80 - 9
R500374	1E9	32	24 - 59	R60458	3E18	9	90 - 39	R67230	1H16	10	40 - 51
R500390	1D6	8	24 - 29	R60730	2E10	15	60 - 3	R67364	1D8	2	24 - 31
R500394	1D9	2	24 - 32	R60730	3D25	8	90 - 21	R67377	1H24	10	40 - 59
R500500	1C12	1	24 - 10	R61105	1D18	9	24 - 41	R68102	2C22	4	50 - 47
R500608	1C12	3	24 - 10	R61105	1E9	29	24 - 59	R68824	4E22	28	121 - 7
R501124	1C12	1	24 - 10	R61862	3F16	9	90 - 61	R69536	2C24	8	50 - 49
R501144	1D16	9	24 - 39	R61871	1C18	9	24 - 17	R69536	2D4	6	50 - 53
R501373	1E7	9	24 - 56	R61871	1E7	16	24 - 56	R69536	2D4	16	50 - 53
R501373	1E9	9	24 - 59	R61871	1E9	16	24 - 59	R70112	2B23	15	50 - 21
R502076	1D8	29	24 - 31	R62192	4G8	21	121 - 41	R70113	2B23	17	50 - 21
R502079	1E2	2	24 - 51	R62356	3B12	16	80 - 9	R70114	2B23	18	50 - 21
R50456	3D9	10	90 - 5	R62502	3G17	34	110 - 3	R70115	2B23	19	50 - 21
R50456	3G11	19	90 - 83	R62502	3I20	14	110 - 57	R70210	1I19	40	40 - 79
R50642	5C4	19	130 - 27	R63308	2C5	30	50 - 29	R70210	1I19	41	40 - 79
R50770	4G4	12	121 - 37	R63308	2E2	2	50 - 75	R70211	1I19	40	40 - 79
R51031	2C9	33	50 - 33	R63308	2E4	2	50 - 77	R70211	1I19	41	40 - 79
R51031	2C17	17	50 - 42	R63548	1D10	1	24 - 33	R70212	1I19	40	40 - 79
R51031	2C24	11	50 - 49	R63548	1D12	1	24 - 35	R70212	1I19	41	40 - 79
R51031	2D7	10	50 - 56	R63666	1G10	13	40 - 25	R70213	1I19	40	40 - 79
R51936	1D8	4	24 - 31	R63666	1G12	30	40 - 27	R70214	1I19	40	40 - 79
R51936	1D8	13	24 - 31	R63667	1G10	14	40 - 25	R70214	1I19	41	40 - 79
R51937	1D8	13	24 - 31	R63667	1G12	29	40 - 27	R70215	1I19	40	40 - 79
R52015	2C1	3	50 - 24	R63668	1G10	15	40 - 25	R70216	1I19	40	40 - 79
R53108	1E9	26	24 - 59	R63668	1G12	28	40 - 27	R70216	1I19	41	40 - 79
R53169	4F2	14	121 - 11	R63669	1G10	16	40 - 25	R70217	1I19	40	40 - 79
R53543	2C9	30	50 - 33	R63669	1G12	27	40 - 27	R70218	1I19	40	40 - 79
R53665	3E18	21	90 - 39	R63670	1G10	34	40 - 25	R70218	1I19	41	40 - 79
R53665	3F16	17	90 - 61	R63670	1G12	22	40 - 27	R70219	1I19	40	40 - 79
R54114	1C12	4	24 - 10	R63980	2J6	5	70 - 75	R70220	1I19	50	40 - 79
R54123	1B18	4	20 - 17	R64056	1G14	13	40 - 29	R70221	1I19	39	40 - 79
R54380	2B25	8	50 - 23	R64058	1G14	16	40 - 29	R70222	1I19	38	40 - 79
R54445	1G14	6	40 - 29	R64059	1G14	12	40 - 29	R71144	2B17	6	50 - 14
R54445	1G14	18	40 - 29	R64060	1G14	10	40 - 29	R71351	3B12	16	80 - 9
R54447	1G14	3	40 - 29	R64061	1G14	4	40 - 29	R71711	2C22	7	50 - 47
R54510	1B18	2	20 - 17	R64698	2D8	10	50 - 57	R71756	4F18	10	121 - 27
R54511	1B18	3	20 - 17	R64698	2J7	10	70 - 76	R71758	4F18	6	121 - 27
R54565	1C7	1	24 - 5	R65569	3E14	2	90 - 35	R72032	4F2	9	121 - 11
R54638	1E7	9	24 - 56	R65569	3G21	2	110 - 7	R72328	1D2	2	24 - 25
R54638	1E9	9	24 - 59	R65593	1I21	2	40 - 81	R72328	1E9	27	24 - 59
R55233	1C15	4	24 - 13	R65594	1I21	9	40 - 81	R72653	1G6	1	40 - 21
R55326	4D12	13	120 - 57	R65595	1I21	21	40 - 81	R72653	1G7	1	40 - 22
R55408	1B5	32	20 - 3	R65596	1I21	22	40 - 81	R72659	1D2	3	24 - 25
R56722	4G12	27	121 - 45	R65597	1I21	23	40 - 81	R72659	4I18	8	125 - 25
R56782	2J6	6	70 - 75	R65598	1I21	24	40 - 81	R73102	2C22	2	50 - 47
R56930	2I20	19	70 - 65	R65599	1I21	25	40 - 81	R73102	2D4	2	50 - 53
R56930	2I22	5	70 - 67	R65600	1I21	26	40 - 81	R73290	3H4	27	110 - 15
R57269	2C20	7	50 - 45	R65601	1I21	27	40 - 81	R73290	3H6	27	110 - 17
R57725	1B15	1	20 - 14	R65602	1I19	49	40 - 79	R73384	3E14	13	90 - 35
R58806	3E7	3	90 - 28	R65602	1I21	28	40 - 81	R73384	3G21	13	110 - 7
R58816	3F16	6	90 - 61	R65603	1I21	29	40 - 81	R73498	1E22	10	30 - 9
R59009	3E18	11	90 - 39	R65604	1I21	30	40 - 81	R74012	1D20	2	24 - 43
R59011	3E18	16	90 - 39	R65605	1I21	31	40 - 81	R74689	2C23	4	50 - 48
R59012	3E18	12	90 - 39	R65606	1I21	32	40 - 81	R74690	2C23	2	50 - 48
R59013	3F16	14	90 - 61	R65607	1I19	46	40 - 79	R74693	2C23	6	50 - 48
R59015	3E18	5	90 - 39	R65607	1I21	33	40 - 81	R74694	2C23	7	50 - 48
R59015	3F16	12	90 - 61	R65608	1I21	3	40 - 81	R74696	2C23	3	50 - 48
R59018	3E18	14	90 - 39	R65609	1I21	6	40 - 81	R74697	2C23	5	50 - 48
R59019	3E18	2	90 - 39	R65610	1I21	7	40 - 81	R75036	1G24	1	40 - 35B
R59020	3F16	10	90 - 61	R66090	1D8	4	24 - 31	R75892	1C15	16	24 - 13
R59021	3F16	7	90 - 61	R66197	3G19	1	110 - 5	R75892	1E7	14	24 - 56
R59022	3F16	13	90 - 61	R66319	1I21	1	40 - 81	R75892	1E9	14	24 - 59
R59023	3F16	8	90 - 61	R66320	1I17	24	40 - 77	R76337	1H18	10	40 - 53
R59028	3F16	2	90 - 61	R66320	1I21	5	40 - 81	R76937	4E22	26	121 - 7
R59029	3F16	4	90 - 61	R66321	1I17	24	40 - 77	R77175	2C11	23	50 - 35
R59070	3F16	1	90 - 61	R66321	1I21	4	40 - 81	R77175	2C12	23	50 - 36

NUMERICAL INDEX - CONTINUED

PART NO.	GRID	KEY	PAGE	PART NO.	GRID	KEY	PAGE	PART NO.	GRID	KEY	PAGE
R77175	2C16	23	50 - 41	R77483	1G6	13	40 - 21	R78050	1H2	24	40 - 37
R77175	2G14	19	70 - 7	R77483	1I17	16	40 - 77	R78050	1H4	24	40 - 39
R77175	2I7	1	70 - 51	R77484	1I17	19	40 - 77	R78050	1I15	19	40 - 75
R77175	2I9	1	70 - 53	R77485	1I17	21	40 - 77	R78051	1H22	24	40 - 57
R77175	2I12	22	70 - 57	R77486	1I17	22	40 - 77	R78051	1I15	24	40 - 75
R77175	2J6	12	70 - 75	R77487	1I17	23	40 - 77	R78051	1J12	1	40 - 97
R77175	4I14	19	125 - 21	R77488	1I19	51	40 - 79	R78052	1I15	5	40 - 75
R77178	2H12	15	70 - 31	R77489	1I19	51	40 - 79	R78052	1I25	5	40 - 85
R77178	2H14	9	70 - 33	R77489	1I23	7	40 - 83	R78053	1F13	9	40 - 3
R77456	1I17	27	40 - 77	R77489	1I25	1	40 - 85	R78053	1G4	10	40 - 19
R77457	1G18	10	40 - 33	R77489	1I25	4	40 - 85	R78053	1G6	15	40 - 21
R77457	1G20	10	40 - 33B	R77490	1I19	51	40 - 79	R78053	1G10	33	40 - 25
R77457	1H8	15	40 - 43	R77491	1I19	54	40 - 79	R78053	1G20	25	40 - 33B
R77457	1I17	29	40 - 77	R77491	1I23	2	40 - 83	R78053	1G22	17	40 - 35
R77458	1H2	8	40 - 37	R77492	1I19	54	40 - 79	R78053	1G24	17	40 - 35B
R77458	1H4	8	40 - 39	R77493	1I19	51	40 - 79	R78053	1H2	13	40 - 37
R77458	1I17	28	40 - 77	R77493	1I23	1	40 - 83	R78053	1H4	13	40 - 39
R77459	1I17	28	40 - 77	R77494	1I19	55	40 - 79	R78053	1H6	12	40 - 41
R77459	1J6	14	40 - 91	R77494	1I25	7	40 - 85	R78053	1H8	14	40 - 43
R77460	1I17	28	40 - 77	R77495	1I19	52	40 - 79	R78053	1H8	17	40 - 43
R77461	1I17	28	40 - 77	R77496	1I19	52	40 - 79	R78053	1H8	18	40 - 43
R77462	1I17	25	40 - 77	R77497	1I19	53	40 - 79	R78053	1H12	18	40 - 47
R77463	1G18	9	40 - 33	R77498	1I17	24	40 - 77	R78053	1H22	23	40 - 57
R77463	1G18	10	40 - 33	R77499	1I17	24	40 - 77	R78053	1H24	25	40 - 59
R77463	1G22	2	40 - 35	R77500	1I17	24	40 - 77	R78053	1I15	13	40 - 75
R77463	1G22	3	40 - 35	R77501	1I17	24	40 - 77	R78053	1I23	4	40 - 83
R77463	1H8	13	40 - 43	R77502	1I19	56	40 - 79	R78053	1I25	3	40 - 85
R77463	1I17	30	40 - 77	R77503	1I19	56	40 - 79	R78053	1J12	13	40 - 97
R77464	1F13	11	40 - 3	R77764	4E22	25	121 - 7	R78053	2D8	14	50 - 57
R77464	1F13	14	40 - 3	R78025	2F23	8	60 - 41	R78053	2H10	16	70 - 29
R77464	1F13	16	40 - 3	R78025	2F25	12	60 - 43	R78053	2J7	14	70 - 76
R77464	1I17	26	40 - 77	R78025	2G2	12	60 - 45	R78053	3E18	25	90 - 39
R77464	2I7	17	70 - 51	R78026	2F23	6	60 - 41	R78053	5D19	16	160 - 3
R77464	2I9	19	70 - 53	R78026	2F25	6	60 - 43	R78054	1I15	17	40 - 75
R77465	1F23	5	40 - 13	R78026	2G2	6	60 - 45	R78055	1H2	19	40 - 37
R77465	1F23	6	40 - 13	R78027	2F13	2	60 - 30	R78055	1H4	19	40 - 39
R77465	1G18	6	40 - 33	R78027	2F23	2	60 - 41	R78055	1H4	23	40 - 39
R77465	1G18	9	40 - 33	R78027	2F25	2	60 - 43	R78055	1I15	22	40 - 75
R77465	1G18	11	40 - 33	R78027	2G2	2	60 - 45	R78056	1G20	26	40 - 33B
R77465	1G22	2	40 - 35	R78047	1H22	21	40 - 57	R78056	1I15	26	40 - 75
R77465	1G22	3	40 - 35	R78047	1I15	3	40 - 75	R78057	1G20	9	40 - 33B
R77465	1H2	15	40 - 37	R78047	1I25	6	40 - 85	R78057	1G24	11	40 - 35B
R77465	1H8	16	40 - 43	R78048	1F13	10	40 - 3	R78057	1H4	14	40 - 39
R77465	1H14	19	40 - 49	R78048	1F23	2	40 - 13	R78057	1H22	20	40 - 57
R77465	1I17	31	40 - 77	R78048	1G4	11	40 - 19	R78057	1H22	22	40 - 57
R77466	1I17	33	40 - 77	R78048	1G22	11	40 - 35	R78057	1H24	23	40 - 59
R77467	1I17	34	40 - 77	R78048	1G24	11	40 - 35B	R78057	1I15	2	40 - 75
R77468	1I17	32	40 - 77	R78048	1H2	14	40 - 37	R78058	1G10	33	40 - 25
R77469	1I19	35	40 - 79	R78048	1H2	16	40 - 37	R78058	1H2	19	40 - 37
R77470	1I19	45	40 - 79	R78048	1H2	21	40 - 37	R78058	1H4	13	40 - 39
R77471	1I19	45	40 - 79	R78048	1H4	16	40 - 39	R78058	1H4	19	40 - 39
R77472	1I19	45	40 - 79	R78048	1H4	21	40 - 39	R78058	1H8	14	40 - 43
R77473	1I19	45	40 - 79	R78048	1H6	13	40 - 41	R78058	1H8	18	40 - 43
R77474	1I19	44	40 - 79	R78048	1H8	7	40 - 43	R78058	1H12	18	40 - 47
R77475	1I17	13	40 - 77	R78048	1H8	20	40 - 43	R78058	1H24	25	40 - 59
R77476	1G6	14	40 - 21	R78048	1H8	20	40 - 43	R78058	1I15	23	40 - 75
R77476	1I17	3	40 - 77	R78048	1H10	10	40 - 45	R78058	3E18	25	90 - 39
R77477	1F13	12	40 - 3	R78048	1H12	16	40 - 47	R78059	1G20	9	40 - 33B
R77477	1F13	17	40 - 3	R78048	1H22	22	40 - 57	R78059	1G20	26	40 - 33B
R77477	1I17	4	40 - 77	R78048	1H24	23	40 - 59	R78059	1G20	26	40 - 33B
R77478	1I17	15	40 - 77	R78048	1H24	24	40 - 59	R78059	1G24	11	40 - 35B
R77479	1I17	5	40 - 77	R78048	1I5	6	40 - 65	R78059	1H2	19	40 - 37
R77479	1I23	6	40 - 83	R78048	1I15	10	40 - 75	R78059	1H4	13	40 - 39
R77480	1I17	6	40 - 77	R78048	1I23	3	40 - 83	R78059	1H4	19	40 - 39
R77481	1F13	7	40 - 3	R78048	2G10	13	70 - 3	R78059	1H8	14	40 - 43
R77481	1I17	7	40 - 77	R78049	1H2	22	40 - 37	R78059	1H8	18	40 - 43
R77482	1I17	8	40 - 77	R78049	1H4	22	40 - 39	R78059	1H12	16	40 - 47
				R78049	1I15	15	40 - 75	R78059	1H12	18	40 - 47

NUMERICAL INDEX - CONTINUED

PART NO.	GRID	KEY	PAGE	PART NO.	GRID	KEY	PAGE	PART NO.	GRID	KEY	PAGE
R78059	1I15	1	40-75	R78063	1H8	14	40-43	R90658	1E7	2	24-56
R78059	2D8	14	50-57	R78063	1H8	17	40-43	R90658	1E9	2	24-59
R78059	2H10	16	70-29	R78063	1H8	18	40-43	R90692	1D4	10	24-27
R78059	2H23	8	70-42	R78063	1H10	10	40-45	R91360	1D8	16	24-31
R78059	2J6	9	70-75	R78063	1H14	15	40-49	R91692	1C11	15	24-9
R78059	2J7	14	70-76	R78063	1H22	23	40-57	R91889	1D4	2	24-27
R78059	5D19	16	160-3	R78063	1H24	25	40-59	R92104	2C24	3	50-49
R78060	1F13	10	40-3	R78063	1I15	1	40-75	R92148	2D2	1	50-51
R78060	1F23	2	40-13	R78063	1I15	7	40-75	R92160	2C20	4	50-45
R78060	1G4	11	40-19	R78063	1I23	3	40-83	R92352	1D6	7	24-29
R78060	1G22	11	40-35	R78063	1I23	4	40-83	R92387	2C24	7	50-49
R78060	1H2	16	40-37	R78063	1I25	2	40-85	R92977	2D6	1	50-55
R78060	1H2	21	40-37	R78063	1I25	3	40-85	R92978	2D6	6	50-55
R78060	1H2	22	40-37	R78063	1I25	5	40-85	R92979	2D2	4	50-51
R78060	1H2	24	40-37	R78063	1I25	6	40-85	R93030	2C20	5	50-45
R78060	1H4	16	40-39	R78063	1J12	13	40-97	R93105	2C22	6	50-47
R78060	1H4	21	40-39	R78063	2J6	15	70-75	R93142	2C20	17	50-45
R78060	1H4	22	40-39	R78063	3E18	25	90-39	R93142	2D2	2	50-51
R78060	1H4	24	40-39	R78064	1G20	25	40-33B	R93180	2C20	3	50-45
R78060	1H8	7	40-43	R78064	1I15	27	40-75	R93910	1D4	8	24-27
R78060	1H8	20	40-43	R78065	1G22	1	40-35	R97185	1C18	8	24-17
R78060	1H10	10	40-45	R78067	1G20	6	40-33B	R97185	1E7	15	24-56
R78060	1H22	20	40-57	R78067	1G20	8	40-33B	R97185	1E9	15	24-59
R78060	1H22	23	40-57	R78067	1G20	11	40-33B	R98062	1D4	11	24-27
R78060	1H22	24	40-57	R78067	1G24	1	40-35B	R98063	1D4	8	24-27
R78060	1H24	24	40-59	R78067	1H4	14	40-39	R98335	1D4	8	24-27
R78060	1I5	6	40-65	R78067	1H4	26	40-39	R99244	2C1	16	50-24
R78060	1I15	2	40-75	R78067	1H6	12	40-41	R99377	2C23	1	50-48
R78060	1I15	9	40-75	R79117	2I21	9	70-66	TY15130	3G19	..	110-5
R78060	1I23	3	40-83	R79604	1D6	4	24-29	TY15130	4E18	..	121-3
R78060	1I25	2	40-85	R79605	1D6	3	24-29	TY15130	4E20	..	121-5
R78060	1I25	6	40-85	R79606	1D6	2	24-29	TY15130	4F6	..	121-15
R78060	1J12	1	40-97	R79915	1H16	8	40-51	TY15130	4F8	..	121-17
R78060	2J6	15	70-75	R80R	4F18	37	121-27	TY15130	4F18	..	121-27
R78061	1F13	9	40-3	R81275	1D9	4	24-32	TY15130	5B23	..	130-21
R78061	1G6	8	40-21	R81275	1E7	10	24-56	TY15949	3G5	..	90-76
R78061	1G6	15	40-21	R81275	1E9	10	24-59	TY15950	3G5	..	90-76
R78061	1H2	19	40-37	R82571	2I21	7	70-66	TY15951	3G5	..	90-76
R78061	1H4	19	40-39	R83169	1C11	12	24-9	TY15969	3G17	..	110-3
R78061	1H8	17	40-43	R84261	4F18	11	121-27	TY16086	1I17	24	40-77
R78061	1H22	23	40-57	R84943	2F17	1	60-34	TY16302	1G10	28	40-25
R78061	1I15	6	40-75	R85168	4F4	10	121-13	TY16304	1G12	26	40-27
R78061	1I15	23	40-75	R85169	4F4	11	121-13	TY21765	1I6	8	40-66
R78061	1I23	4	40-83	R85363	1D4	1	24-27	TY22007	1C4	2	24-2
R78061	1I25	3	40-85	R85373	2D4	15	50-53	TY22008	1C4	2	24-2
R78061	1I25	5	40-85	R85374	2D4	8	50-53	TY22009	1C4	1	24-2
R78061	2D8	14	50-57	R85376	2D4	9	50-53	TY22010	1C4	2	24-2
R78061	2H10	16	70-29	R85378	2D4	10	50-53	TY22011	1C4	2	24-2
R78061	2J7	14	70-76	R85588	2C24	1	50-49	TY22025	3G4	..	90-75
R78061	5D19	16	160-3	R85687	1D4	8	24-27	TY22025	3G5	..	90-76
R78062	1I15	1	40-75	R86457	4C10	8	120-31	TY22101	3G4	..	90-75
R78063	1F23	2	40-13	R86457	4C14	8	120-35	TY22101	3G5	..	90-76
R78063	1G4	11	40-19	R87345	4D12	12	120-57	TY22324	1F4	8	30-15
R78063	1G10	33	40-25	R88829	2C20	11	50-45	TY22326	4G14	20	121-47
R78063	1G20	25	40-33B	R88959	2D2	3	50-51	TY22326	4J12	3	125-43
R78063	1G22	17	40-35	R88972	2C20	1	50-45	TY22326	5D4	24	130-53
R78063	1G24	11	40-35B	R88972	2C20	6	50-45	TY22328	3G11	5	90-83
R78063	1H2	13	40-37	R89015	2D4	14	50-53	TY22329	4G8	10	121-41
R78063	1H2	19	40-37	R89142	3E18	10	90-39	TY22329	4G8	11	121-41
R78063	1H2	21	40-37	R89143	3E18	4	90-39	TY22418	1E16	22	30-3
R78063	1H2	22	40-37	R89610	2C20	12	50-45	TY22418	1E20	2	30-7
R78063	1H2	24	40-37	R89944	1D8	29	24-31	TY22424	1B20	4	20-19
R78063	1H4	19	40-39	R89944	1D14	8	24-37	TY22462	1E20	1	30-7
R78063	1H4	21	40-39	R89944	1E9	28	24-59	TY22462	1F6	2	30-17
R78063	1H4	22	40-39	R90521	3H17	5	110-29	TY22465	3G11	3	90-83
R78063	1H4	24	40-39	R90565	2I21	4	70-66	TY22465	4G10	9	121-43
R78063	1H6	12	40-41	R90658	1D5	2	24-28	TY22470	1E24	4	30-11

NUMERICAL INDEX - CONTINUED

PART NO.	GRID	KEY	PAGE	PART NO.	GRID	KEY	PAGE	PART NO.	GRID	KEY	PAGE
TY22470	1F2	6	30-13	T12960	2G21	7	70-15	T38377	4G10	17	121-43
TY22472	1F4	1	30-15	T13119	1E22	9	30-9	T40867	3B20	24	80-17
TY22472	3F23	27	90-69	T13213	1C22	7	24-21	T41201	4F8	4	121-17
TY22474	3G2	18	90-73	T13254	1D20	18	24-43	T43512	4F6	..	121-15
TY22494	4F4	21	121-13	T14050	1D20	14	24-43	T43512	4F8	..	121-17
TY22494	4F12	46	121-21	T14065	2C9	14	50-33	T43514	1C15	24	24-13
TY22494	4F12	47	121-21	T14323	4E22	24	121-7	T43514	2B19	13	50-17
TY22566	1F6	1	30-17	T14323	4E22	35	121-7	T43514	3H12	20	110-23
TY24485	1I1	1	40-61	T146102	1D23	5	24-47	T43514	3H12	21	110-23
TY24485	1I1	13	40-61	T15005	1F15	14	40-5	T45132	2J6	27	70-75
TY24485	1I3	..	40-63	T15712	1E22	9	30-9	T47836	4F18	33	121-27
TY2615	4H25	19	125-7	T16193	3E14	8	90-35	T49676	4E22	14	121-7
TY6167	1I6	8	40-66	T16193	3G21	8	110-7	T50409	4E22	13	121-7
TY6280	1C4	1	24-2	T17568	1E16	13	30-3	T50415	4E22	15	121-7
TY6297	1C4	1	24-2	T17568	1E16	22	30-3	T519T	3E18	3	90-39
TY6298	1C4	1	24-2	T17568	1E16	29	30-3	T531T	1G10	20	40-25
TY6300	1C4	1	24-2	T17568	1E20	18	30-7	T531T	1G12	20	40-27
TY6301	1C4	1	24-2	T18891	1C15	2	24-13	T55201	3E24	12	90-45
TY6304	2B13	..	50-9	T20034	1C8	24	24-6	T55501	2F2	5	60-19
TY6304	2B19	..	50-17	T20168	1C15	18	24-13	T55501	3F19	5	90-65
TY6304	4F18	..	121-27	T20217	4E13	4	120-82	T55585	2F2	6	60-19
TY6311	1C4	1	24-2	T20217	4F24	20	121-33	T55585	3F19	6	90-65
TY6312	1C4	1	24-2	T20217	5C8	4	130-31	T55761	3G17	26	110-3
TY6313	1C4	1	24-2	T20314	1C7	4	24-5	T55761	3I20	10	110-57
TY6333	3G17	..	110-3	T20316	1C7	3	24-5	T58477	1D4	6	24-27
TY6333	4C22	..	120-43	T22714	4F24	23	121-33	T60314	2J6	32	70-75
TY6333	4C24	..	120-45	T22828	2I21	2	70-66	T62323	2F16	12	60-33
TY6333	4F18	..	121-27	T22875	2F2	31	60-19	T62508	4E22	16	121-7
TY6333	5B23	..	130-21	T22875	3F19	31	90-65	T62509	4E22	18	121-7
TY6359	1C4	1	24-2	T23027	3E2	2	90-23	T62828	3E24	1	90-45
TY6360	1C4	1	24-2	T23033	3E2	6	90-23	T62843	4I22	13	125-29
TY6361	1C4	1	24-2	T23474	1C15	19	24-13	T63817	2G10	8	70-3
TY6389	1C4	2	24-2	T23529	2F2	29	60-19	T65643	2G10	7	70-3
TY6390	1C4	2	24-2	T24167	1F13	11	40-3	T69027	4F6	8	121-15
TY6391	1C4	2	24-2	T24472	1D6	9	24-29	T70309	4E22	12	121-7
TY6392	1C4	2	24-2	T25473	2D24	7	50-73	T70694	1B20	9	20-19
TY6393	1C4	2	24-2	T26257	2I2	15	70-45	T72393	2D10	13	50-59
TY6394	1C4	2	24-2	T27523	2G17	3	70-10	T72393	2D12	19	50-61
TY6750	1I1	1	40-61	T27523	4I20	7	125-27	T72393	2D14	16	50-63
TY6750	1I1	13	40-61	T27658	1C11	13	24-9	T72393	2G23	11	70-17
TY6750	1I3	..	40-63	T27860	1D8	26	24-31	T74410	1H14	12	40-49
TY6764	3G4	16	90-75	T27888	2B17	3	50-14	T75984	2H10	2	70-29
TY6764	3G5	..	90-76	T27986	1E10	4	24-60	T75984	2H24	12	70-43
TY9370	2B16	..	50-13	T28583	1F13	8	40-3	T75984	2I2	12	70-45
TY9370	3D15	..	90-11	T28583	1G4	6	40-19	T75984	2I4	12	70-47
TY9370	3E12	..	90-33	T28583	1H8	19	40-43	T75984	2I5	12	70-49
TY9371	2B13	..	50-9	T28583	1I17	1	40-77	T75984	5D19	2	160-3
TY9371	2B16	..	50-13	T28583	1I21	34	40-81	T76719	1E16	27	30-3
TY9371	2B19	..	50-17	T28585	1F21	12	40-11	T76836	2B13	10	50-9
TY9371	3E12	..	90-33	T28585	1F21	16	40-11	T76938	2E24	10	60-17
TY9371	4B18	..	120-15	T28585	1I17	12	40-77	T76938	2G23	25	70-17
TY9371	4F2	..	121-11	T28585	1I21	35	40-81	T76938	2H20	17	70-39
TY9373	2B16	..	50-13	T28586	1G6	16	40-21	T76938	2H20	22	70-39
TY9373	3E12	..	90-33	T28586	1I17	14	40-77	T76938	2J9	6	70-79
TY9374	1H18	..	40-53	T28586	3F25	8	90-71	T76938	4I18	10	125-25
TY9374	4E22	..	121-7	T29342	2C5	19	50-29	T77258	1E5	2	24-54
TY9473	2D24	..	50-73	T29342	2E4	4	50-77	T77514	2J6	24	70-75
TY9478	2B16	..	50-13	T32231	1E22	3	30-9	T77613	1D12	12	24-35
TY9478	3E12	..	90-33	T32231	1H22	11	40-57	T77613	1E18	1	30-5
T105740	2D12	6	50-61	T32255	1G10	19	40-25	T77613	1E20	7	30-7
T105964	5C6	32	130-29	T32255	1G12	5	40-27	T77613	2D20	4	50-69
T10745	1I1	4	40-61	T32255	1G12	19	40-27	T77613	2E6	3	50-79
T10745	1I3	2	40-63	T34067	1G6	12	40-21	T77613	2F10	1	60-27
T119912	4G12	22	121-45	T34067	1G6	15	40-21	T77613	2F12	3	60-29
T12033	2B7	4	50-3	T34067	1I17	18	40-77	T77613	2G17	7	70-10
T122075	1D18	4	24-41	T35440	1G12	24	40-27	T77613	2G25	1	70-19
T122075	1E9	30	24-59	T37851	5B10	11	130-7	T77613	2H2	22	70-21

NUMERICAL INDEX - CONTINUED

PART NO.	GRID	KEY	PAGE	PART NO.	GRID	KEY	PAGE	PART NO.	GRID	KEY	PAGE
T77613	2H4	27	70-23	T78313	2D10	7	50-59	U46662	1F13	11	40-3
T77613	2H8	5	70-27	T78313	2D12	8	50-61	U46662	1F13	17	40-3
T77613	2H14	1	70-33	T78313	2D14	4	50-63	U46662	1G4	6	40-19
T77613	2H14	27	70-33	T78313	2D16	4	50-65	U46662	1G20	11	40-33B
T77613	2H22	6	70-41	T78313	2D20	31	50-69	U46662	1G22	10	40-35
T77613	2I16	4	70-61	T78313	2J9	9	70-79	U46662	1G24	10	40-35B
T77613	2I18	6	70-63	T78612	2J9	7	70-79	U46662	1H8	19	40-43
T77613	2I22	11	70-67	T78707	2D21	11	50-70	U46662	1I17	10	40-77
T77613	2J9	2	70-79	T78716	4I22	4	125-29	U46662	1I21	37	40-81
T77613	2J11	4	70-81	T78784	2J9	8	70-79	U46662	1I23	6	40-83
T77814	2D20	8	50-69	T79098	2C3	4	50-27	U46663	1G4	7	40-19
T77814	2F12	12	60-29	T80393	1J10	1	40-95	U46663	1I21	38	40-81
T77814	2H2	4	70-21	T80394	1J10	1	40-95	U46664	1I19	47	40-79
T77814	2H4	4	70-23	T81029	2D20	6	50-69	U46664	1I21	39	40-81
T77814	2H8	6	70-27	T81029	2F10	2	60-27	W15277	2E19	7	60-12
T77814	2H14	27	70-33	T81029	2F12	19	60-29	W23690	2C9	21	50-33
T77814	2H22	9	70-41	T81029	2G17	4	70-10	W38051	1H12	1	40-47
T77814	2I22	8	70-67	T81029	2I16	3	70-61	W39621	3H23	33	110-35
T77814	2J9	1	70-79	U10063	4F18	20	121-27	W39621	4H4	1B	121-61
T77857	2D8	2	50-57	U10746	2B21	21	50-19	W39621	4H4	37A	121-61
T77857	2D20	30	50-69	U10776	2B21	4	50-19	W39621	5B23	3	130-21
T77857	2D24	2	50-73	U11647	2C22	1	50-47	W43141	3I18	10	110-55
T77857	2E24	7	60-17	U11647	2D4	1	50-53	Y3082BN	3B22	4	80-19
T77857	2F6	3	60-23	U12547	2C16	32	50-41	Z12964	2B23	16	50-21
T77857	2F8	2	60-25	U12547	2C17	2	50-42	Z24604	5C25	15	130-49
T77857	2F10	11	60-27	U12547	2D7	12	50-56	Z24604	5D2	20	130-51
T77857	2G21	13	70-15	U12547	2D8	11	50-57	Z24604	5D2	24	130-51
T77857	2G23	7	70-17	U12547	2D10	1	50-59	Z33404	4I2	36	125-9
T77857	2G25	35	70-19	U12547	2D14	6	50-63	Z33404	5D9	6	130-59
T77857	2H6	3	70-25	U12547	2D16	5	50-65	Z33774	4E10	15	120-79
T77857	2H12	21	70-31	U12547	2D18	11	50-67	Z33774	4I2	32	125-9
T77857	2H14	16	70-33	U12547	2D20	3	50-69	Z33774	5E5	7	170-4
T77857	2I24	13	70-69	U12547	2D24	4	50-73	Z36140	5B6	7	130-3
T77857	2J7	2	70-76	U12547	2E24	1	60-17	Z39238	3B10	29	80-7
T77857	2J9	3	70-79	U12547	2H18	2	70-37	Z39386	3B20	25	80-17
T77857	4I20	4	125-27	U12547	2I24	15	70-69	Z55267	1G24	14A	40-35B
T77857	4I22	5	125-29	U12547	2J6	29	70-75	Z55270	1G24	14A	40-35B
T77857	5D18	2	160-2	U12547	2J7	11	70-76	Z62206	1H2	26	40-37
T77858	2D10	3	50-59	U13639	1B18	6	20-17	Z62206	1H4	26	40-39
T77858	2D12	7	50-61	U13639	1C15	23	24-13	Z63630	1G20	11	40-33B
T77858	2D14	8	50-63	U14273	4F8	6	121-17	122SE	2B7	7	50-3
T77858	2D16	7	50-65	U14273	4G8	25	121-41	124424	3H8	15	110-19
T77858	2D18	1	50-67	U15415	2C5	25	50-29	124424	3H12	17	110-23
T77858	2D20	1	50-69	U15415	2C16	43	50-41	32243	3G17	2	110-3
T77858	2D21	2	50-70	U15980	2H10	13	70-29	32246	2C9	20	50-33
T77858	2D24	3	50-73	U15980	5D19	13	160-3	400R	4E22	29	121-7
T77858	2E24	3	60-17	U17409	2C11	4	50-35				
T77858	2G23	3	70-17	U17409	2C12	4	50-36				
T77858	2H16	10	70-35	U17409	2C17	12	50-42				
T77858	2H18	4	70-37	U17409	2C17	15	50-42				
T77858	2H18	11	70-37	U40729	2C17	7	50-42				
T77858	2J2	11	70-71	U40745	2I5	20	70-49				
T77858	2J9	5	70-79	U40962	2H24	11	70-43				
T77858	4I18	1	125-25	U40962	2I2	11	70-45				
T77932	2D7	14	50-56	U40962	2I4	11	70-47				
T77932	2D24	6	50-73	U40962	2I5	11	70-49				
T77932	2F6	5	60-23	U41353	2D6	2	50-55				
T77932	2F8	1	60-25	U42355	1E16	30	30-3				
T77932	2G12	3	70-5	U42355	1E20	17	30-7				
T77932	2G21	12	70-15	U42902	2I2	26	70-45				
T77932	2H16	3	70-35	U46370	1I17	20	40-77				
T77932	2H20	3	70-39	U46370	1I21	36	40-81				
T77932	2I24	2	70-69	U46506	1G12	6	40-27				
T77932	2J2	10	70-71	U46507	1G12	3	40-27				
T77932	2J9	4	70-79	U46662	1F13	7	40-3				
T77932	4I20	1	125-27	U46662	1F13	8	40-3				
T77932	4I22	12	125-29	U46662	1F13	10	40-3				